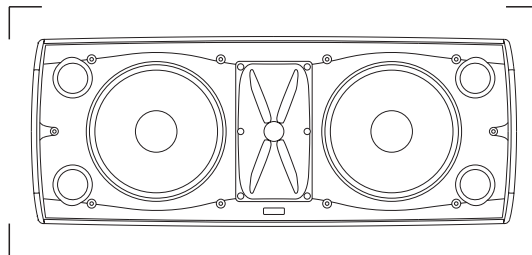
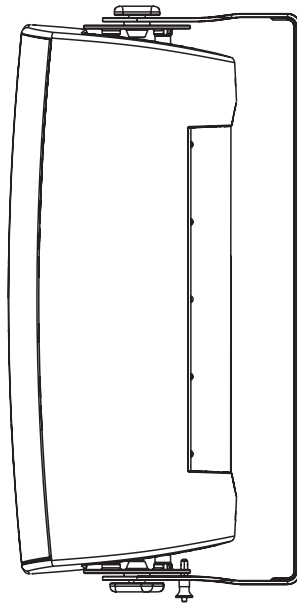




# COMPACT ACTIVE SPEAKER SYSTEM USER'S MANUAL



LSA22BC08



1. Read these prescriptions.
2. Keep this user manual.
3. Pay attention to all the notices.
4. Comply with these rules.
5. Warning: in order to avoid fire or hit by the thunder, do not put the devices in the rain or in the wet environment.
6. Wiped by dry cloth.
7. Don't wall up the intake and please install according to the instructions.
8. Do not install near the heat headstream like radiator, heat adjust setting, camp stove etc. (amplifier included.)
9. Do not make the grounded plug invalidation; this device should be connected to the plug through protective grounded plug.
10. Protect the wire from being trampled or extruded, especially the plug, power plug and the connector of it.
11. Please make use of the device under the suitable voltage remarked on the back panel. If the equipment is damaged because of the wrong voltage, we will charge from the service.
12. If one signal is used in more than one speaker, signal distributor is advised using.
13. When suspending the system always ensure that the suspension points are sufficiently rated so that they will bear the load of the system. As a rule of thumb suspension points should be rated to bear a minimum of 10 times the weight of the system being suspended from the points.



Warning: there are important information in this manual for users.



There are non-insulated parts with dangerous voltage, which can make people get an electric shock. Please do not open the cover, if needed in maintenance, please ask the professional for repair or return to the factory.

---

**Welcome**

Thank you for purchasing the product of TYG. LSA22BC08 is Class D amplifier driven active speaker which developed by our company. It applies to the reinforcement of small performance, shopping malls, and bars etc, public places. In order to make the performance better, please read this manual carefully.

**To unclose the pack**

Please confirm if the appearance of the power amplifier is damaged during the transportation after you unclose the pack and if the set voltage matches to your local voltage (Please refer to the print on the back panel for detail information.) Please don't throw away the packing box in case returning the power amplifier when need.



**Support and Service**

Please contact with local distributor of TYG directly in order to get the quick after-sale service. If there is any technique problem, please contact with us in the following way:  
 Email: [info@tygglobal.com](mailto:info@tygglobal.com)

**Important precaution**

The design of the TYG products has already taken the safe requirement into consideration and all the finished products have been tested under the requirements of the government before sale. However, as there is dangerous high voltage and electricity in the products, users must read the notice in this manual. If the product falls down, recess in the appearance, soaked or there is some part looses inner, it will improve the danger of being shocked by the electricity. If there are problems above, please take off the power wire and send the product to the local distributor for repairing. Do not disassemble the product by yourself.

**Rated Power**

Power at 1% clipping, drive by one channel

Model	Channel	8 ohms*	4 ohms*	2 ohms*
LSA22BC08	HF x1	50W	---	---
	LF x1	200Wx2	---	---

## Introduction

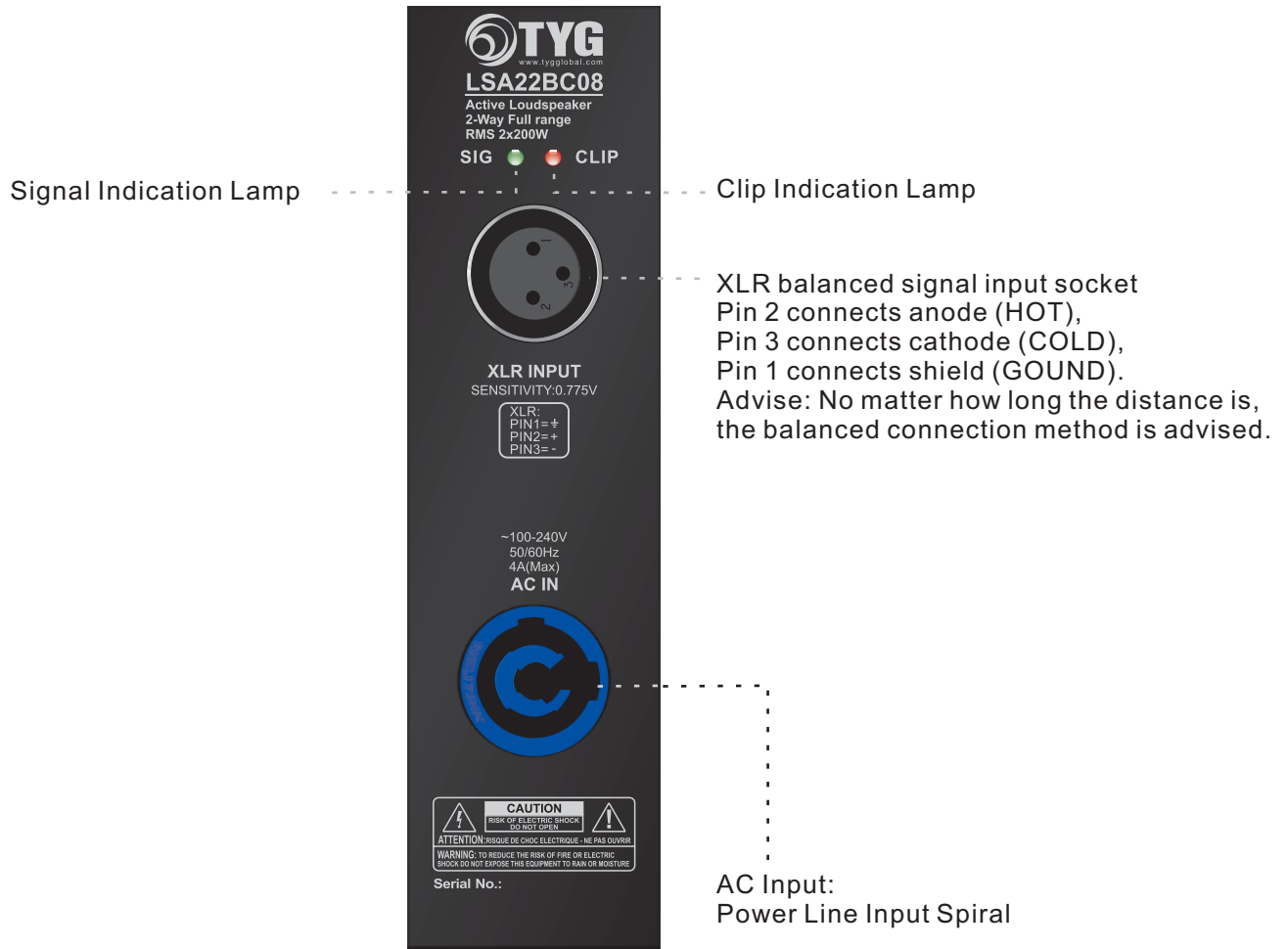
LSA22BC08:

- 1) Full range active speaker with three units and two frequencies.
- 2) High SPL and high performance
- 3) Two 8-inch and high-efficiency units for bass.
- 4) One 1.33 inch titanium compressed driver.
- 5) 90 X 40 sound reinforcement range.
- 6) Excellent frequency response and phase characteristic.
- 7) Safe, convenient, and flexible installation methods can meet different applications.
- 8) High quality and high efficiency Class D power amplifier module built in speakers, small distortion, and beautiful sound, low energy consumption. If there is no input signal for one minute, the amplifier will be on standby to reduce the consumption. It is suitable when using the whole day stably.

## Technology Highlights

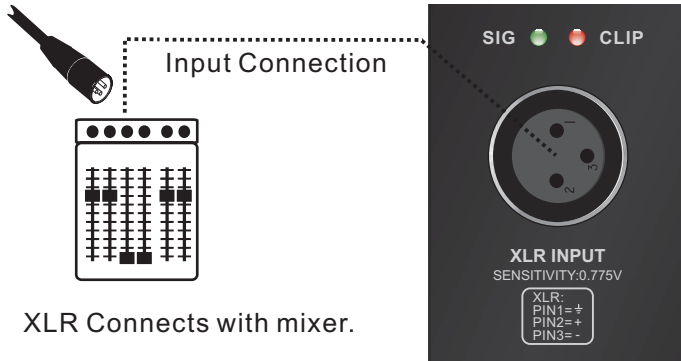
- 1) High efficient CLASS D amplification module is adopted. It has advantages of low distortion THD<0.05%, high efficiency (93%), large power headroom. Especially protection function is better, the protection of overload short circuit, overheating are very reliable.
  - 2) New generation ON power control chip is adopted. Proprietary soft crossing technology (soft jump, adjustable level jump cycle technology) realizes low consumption ready mode. Frequency jitter makes EMC performance better.
-

Rear panel function introduction

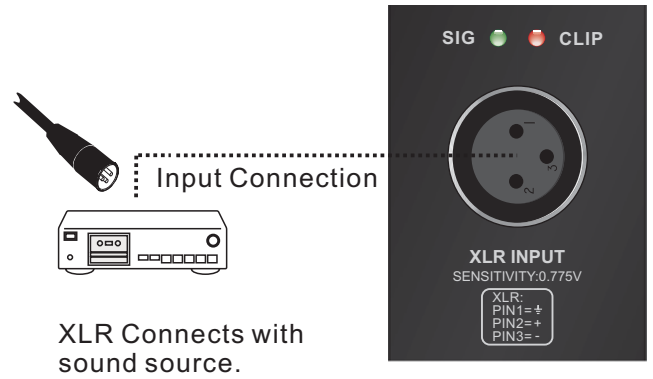


### LSA22BC08 Connection Example

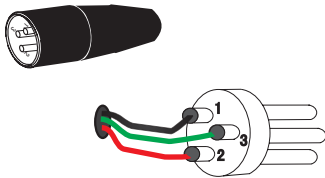
#### Signal Input Connection -1



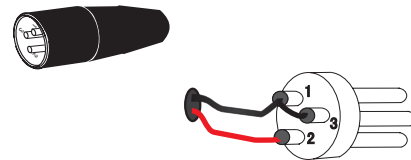
#### Input Connection -2



**Balanced input connection**  
 The connection method is applied to long or short distance between devices. XLR Pin 2 connects anode (HOT), Pin 3 connects cathode (COLD), and Pin 1 connects shield (GROUND)

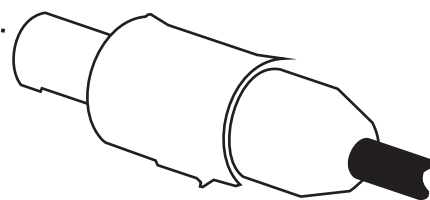
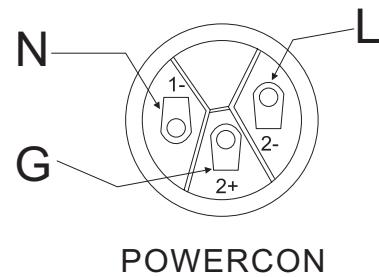


**Unbalanced input connection**  
 The connection method is only applied to the short distance between devices. XLR Pin 2 connects anode (HOT), Pin 3 connects cathode (COLD), Pin 1 connects shield (GROUND), Pin 1 and Pin 3 are short-circuit connection.



**AC power input connection**  
 Make use of the special power input plug screw seat (Blue), please refer to the right graphic:

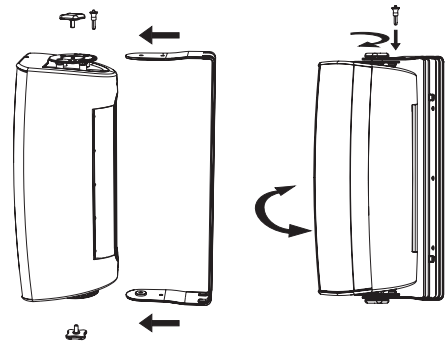
AC power input plug (Blue) inner connection guide



### Installation Guide Map 1

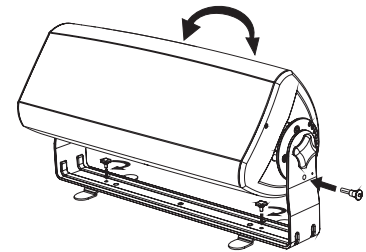
#### Installation Instructions

1. LSA22BC08 speaker can be installed in vertical or horizontal way according to the applications, plus, the installation angle can also adjusted. There are many holes on the side round board of the speaker, which are for the angle adjustment. Please loose the adjuster knob before using, and then set the speaker body to the position in need. The holes on the round side board and on the U shape stand should be concentric, and put the pins into the holes to fasten. Then fasten the adjuster knob on both sides. See Picture 1.



Picture 1

2. When the speakers are used as floor monitors, please put the foot plate at the bottom of the U shape stand, and adjust them into "+" vertical position with the U shape stand. After this, fasten the adjuster knob on the U shape stand. See Picture 2.



Picture 2

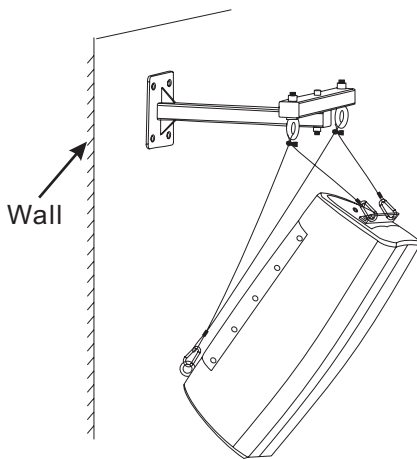
**Notices:**

1. The matched accessories are tested and have the capacity to carry the speaker, please be assured of them. However, regarding to the ceiling or wall and other installation places, please think over about their capacities, and you'd better consult the professional technicians before installation.
2. Please put the slider bar of the pins totally before inserting and drawing.

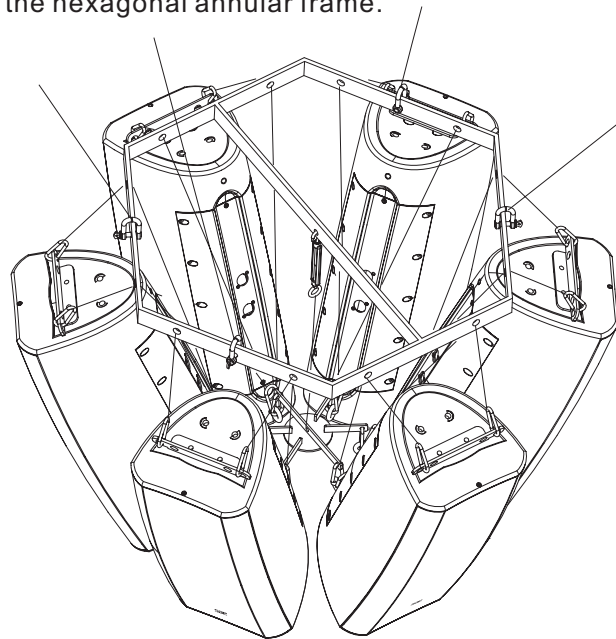
### Installation Guide Map -2

#### Installation Instruction

1. LSA22BC08 can be installed as Picture 3 with the vertical frame
2. LSA22BC08 can be installed as Picture 4 with the hexagonal annular frame.



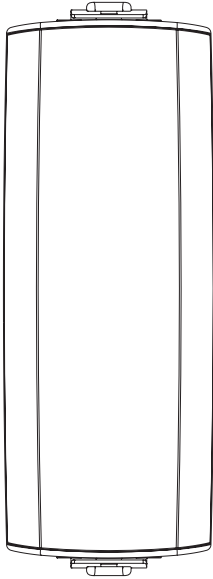
Picture 3



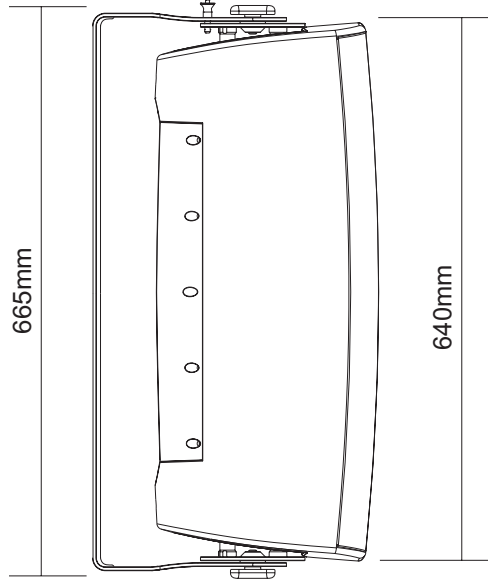
Picture 4



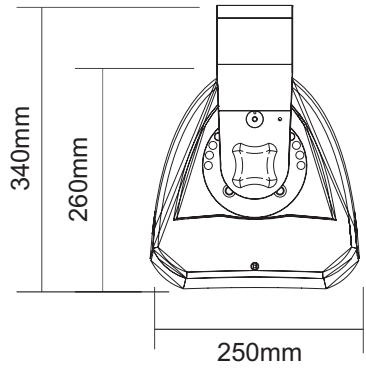
**LSA22BC08 speaker dimension**



Front view



Left view



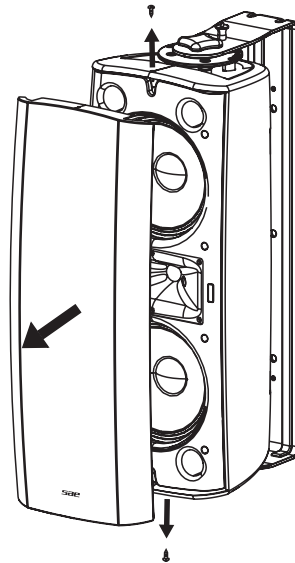
Top view

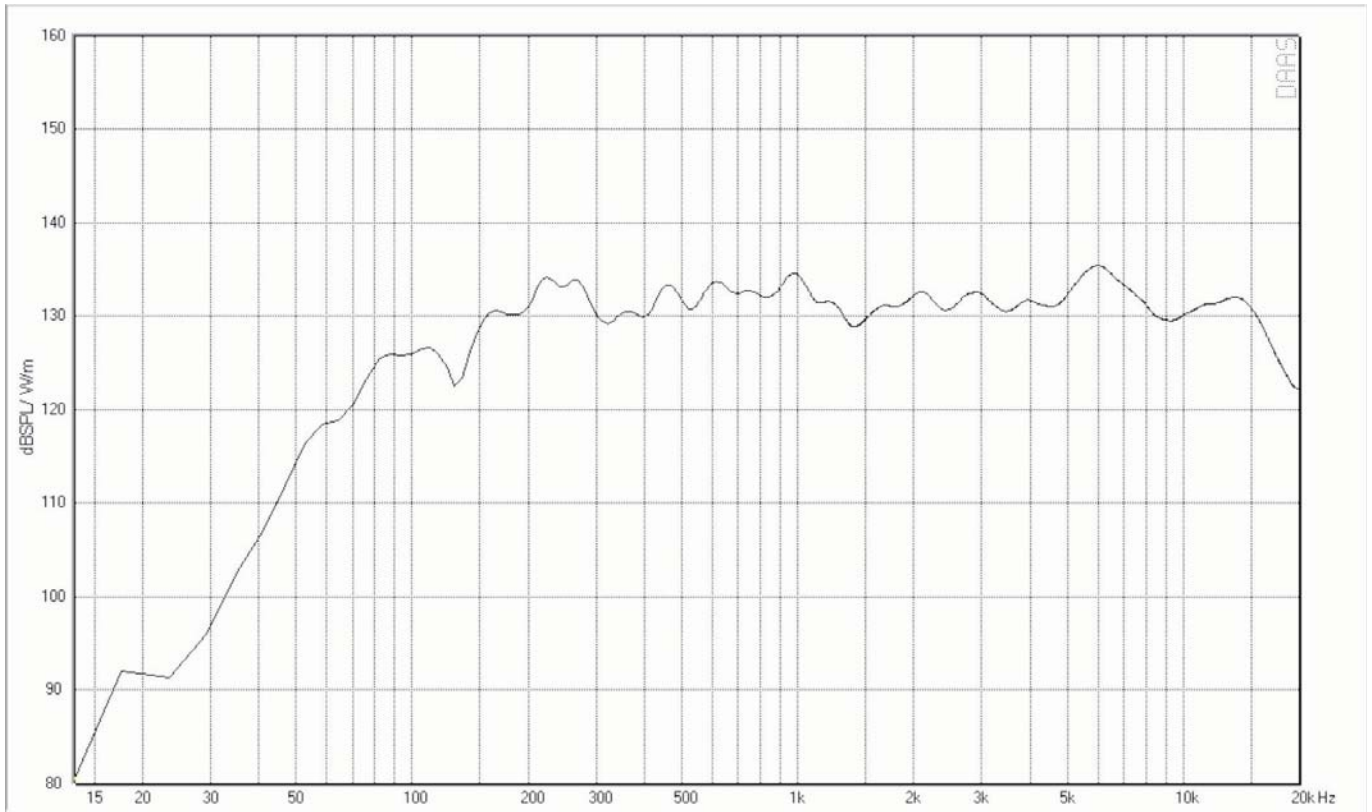
---

**Notices on the maintenance:**

## Notice

1. The grill is fixed by the screws on both sides, and it can be disassembled through drawing the screws. Please take the grill off the speaker gradually and when assemble it, please make sure the grill has connected with speaker very well before installing the screws. During operation, do not pull twist, squeeze or collision mesh cover to avoid grille deformed.
2. The surface cleaning of the speakers should be done with dry or semi-wet clean towel, gently wipe. Be careful not to be too hard, otherwise it will damage the cabinet surface lines. Prohibit the use of alcohol, gasoline, and other corrosive liquid to clean the box.
3. Please try not to place the speaker under the high-temperature hot sun for a long period of time use.





## Specification

## Active Speaker System

Model	LSA22BC08
Output Power	HF50W/LF200Wx2
Driver	HF: 1 x 1.33 inch Compression driver LF: 2 x 8 inch bass
Frequency Response	70Hz-18kHz
Effective frequency	60Hz-20kHz
MAX SPL at 1m	119dB
Crossover Frequency	2.5kHz
Point angle	H=90° V=40°
Speaker enclosure	HIPS
Grill	Aluminum mesh perforated spray
Inner Amplifier Specifications:	
Amplifier Mode	CLASS D
THD	<0.05%
S/N Ratio	>80dB
Damping factor	>50
Input sensitivity	0.775V
Input Impedance(bal/unbal)	40K $\Omega$ /20K $\Omega$
Cooling	natural cooling
Protection	short circuit, over load, clip limit, over heat
Signal input terminal	XLR
Signal output terminal	None
AC power input	100-240VAC(50/60Hz)
AC power max input current	4A
LCD indicator	Power, Clip
Dimension/weight:	
Net weight	17Kg (including the U shape stand)
Gross weight	20 Kg
Net Dimension (HxWxD)	665x250x340mm (including the U shape stand)
Packing Dimension (HxWxD)	760x420x370mm

We reserve the rights to make changes in above specifications without prior notice.

## Malfunction Elimination

- 1) No reaction  
Confirm the AC power wire connect to the socket with electricity. Detect the power supply by other equipment, such as lamp.
- 2) No sound, but power indicator green LED is on  
Confirm the input sound source. If necessary, use other sound source or other amplifier to connect to the current sound source.
- 3) If distortion exists or the sound is not clear  
Check all the input connection. Do not put two different sound sources in the same channel. The mixer mixing source is advised.
- 4) Drone background sound  
Balanced XLR wire better suits long distance working. If unbalanced connection (single core wire) is adopted, drone may be caused by this problem, because single core wire will bring interference. If balanced connection is adopted but drone still exists, it may cause by the sound source. Drone may appear early in signal chain according to different connection types. If the total power consumption is not too high, all plugs plugging in the same AC strip will bring many benefits.

Maintenance will be needed in the circumstances mentioned below

- 1.If the amplifier smokes or smells burning
  - 2.If the cabinet has severe indentation and deformation
  - 3.If the amplifier is dipped into the water
  - 4.If the internal components loosen
-

## LIMITED WARRANTY

TYG LLC warrants this product against defects in material or workmanship for the original and any subsequent end user owner(s) ( “You” or “Your” ) for the time periods and as set forth below. Under this Limited Warranty, TYG will, at its option, (i) repair the product using new or refurbished parts or (ii) replace the product with a new or refurbished product. “Refurbished” means a product or part that has been returned to its original specifications. These are Your exclusive remedies. TYG does not warrant that the operation of the product will be uninterrupted or error-free.

**Term:** One (1) year from the original date of purchase of the product. This Limited Warranty is transferable. However, any transfer of this product does not extend the term. A copy of the dated receipt or bill of sale from the original end user purchase is required to determine coverage. Online auction confirmations are not accepted for warranty verification.

**Product Coverage:** Only the hardware components packaged with the Product are covered. Technical assistance for hardware or software usage and any software products are not covered. Any software is provided “AS IS” unless expressly provided for in any enclosed software Limited Warranty. When a product or part is exchanged, the original item becomes TYG's property. Any replacement product provided under this limited warranty may vary in the color and/or cosmetic design from the original product and may not include any original engraving or similar customization.

**Instructions:** You must contact TYG or an authorized dealer prior to returning any product for warranty service. TYG will not reimburse You for service performed by others. Unless otherwise instructed by TYG or an authorized dealer, You must deliver the product, freight prepaid, in either its original packaging or packaging affording an equal degree of protection to the facility specified by TYG.

**Email:**  
[info@tygglobal.com](mailto:info@tygglobal.com)

**Brand website:**  
[www.tygglobal.com](http://www.tygglobal.com)

**Website:**  
[www.tygglobal.com](http://www.tygglobal.com)

---



[www.tygglobal.com](http://www.tygglobal.com)

TYG reserves the right to make changes in specifications or products without prior notice.