



MANUAL



5" GSM Digital Door Viewer

TIME

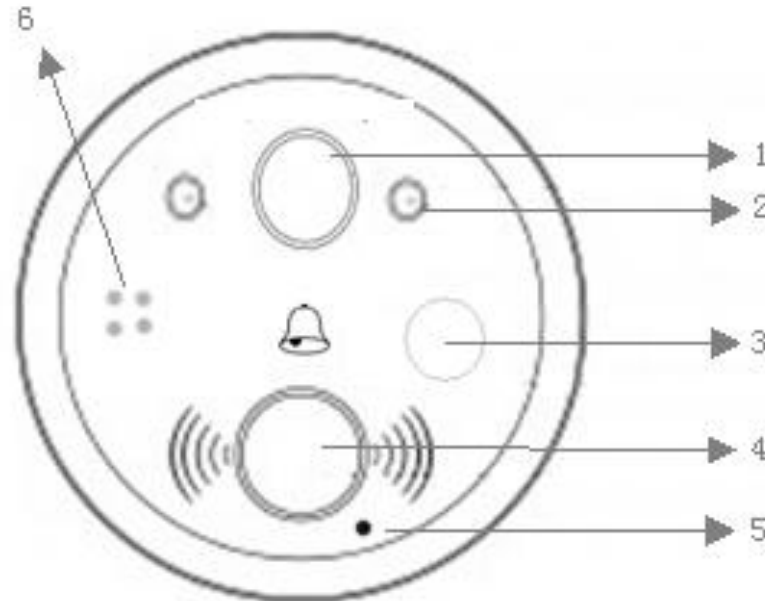
DATE

PHOTO TAKING

RECORD

SLIDESHOW

Outdoor Unit Specification

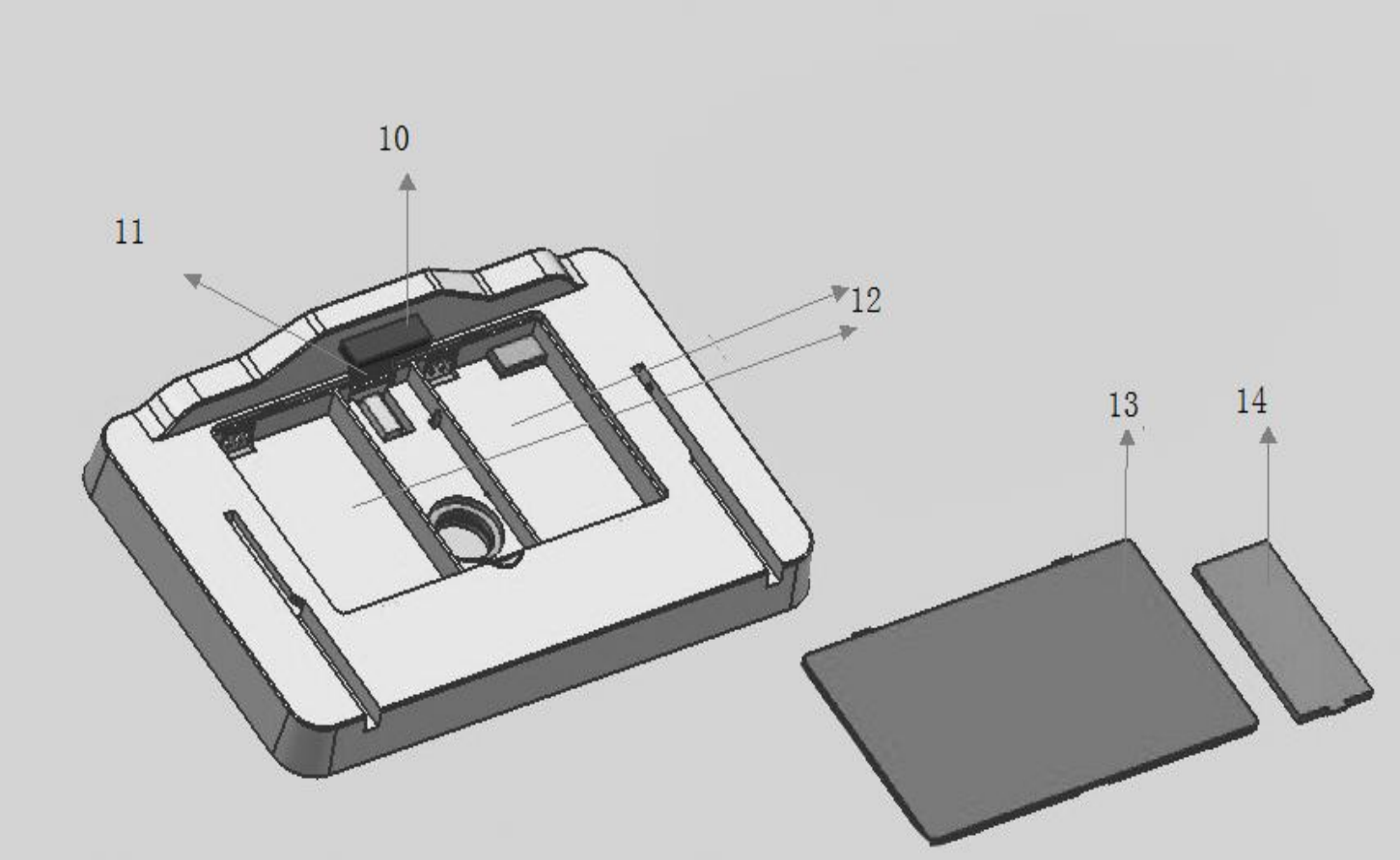


- 1: Camera Lens
- 2: Night vision Led
- 3: Movement detector
- 4: Door bell button
- 5: Mic
- 6: Speaker

INDOOR UNIT SPECIFICATION



INDOOR UNIT SPECIFICATION



INDOOR UNIT SPECIFICATION

1.Extral Battery Base

2.Main Monitoring Unit

3.Micro USB Slot

4.Power Key

5.SIM Card Slot

6.Return Key

7.Monitoring Key

8.Micro SD Card Slot

9.Speaker

10.Indoor unit connecting JACK

11: FPC female connector

12: BL-5C battery hole

13:Battery base door

14: FPC door

Function Description

1.5” GSM digital door viewer is smart security inspection device that could be installed to all kinds of door,just replace the traditional peephole and install the DDV very easily.

2.This device will auto-snap visitor`s picture when visitor press the door bell or visitor has been detected by device`s PIR movement detecting function..The picture will save to Memory cards for previewing. And you can also view out door environment anytime just simply by pressing the monitoring key on the device.

3.When insert the SIM card to the device,it can send automatically MMS alert to specified mobile phone once the picture snapping has been triggered..So you can know who is visiting your house just via your mobile phone.(*Apply for GSM model only)

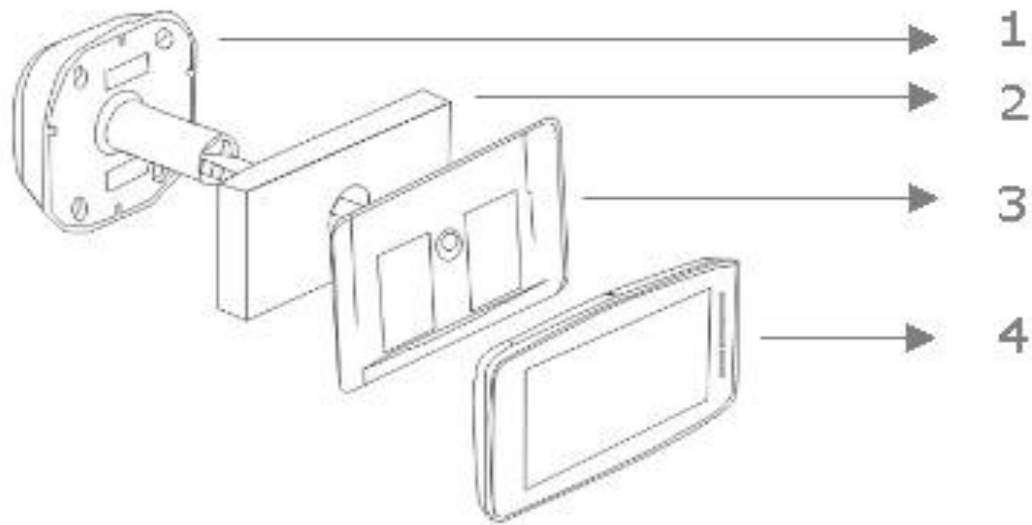
Function Description

4.If you set “AWAY HOME” mode, the device will tell visitors to leave a 10s` video message.

5. With security alarm system function enabled, this device allow you to connect up to 8 pieces of security detectors, after matching with those detectors , the device will send a MMS alert to your mobile phone once any of the detector has been triggered , likes if some one break your door or window..Or the gas detector detected gas.(*Apply for GSM model only)

6. GSM digital door viewer will provide your family a SMART, SAFE,Secured environment.(*Apply for GSM model only)

7. DIY INSTALLATION:



1. Outdoor Unit

2. DOOR

3. Extral Battery Base

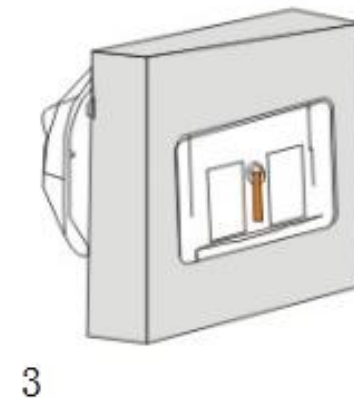
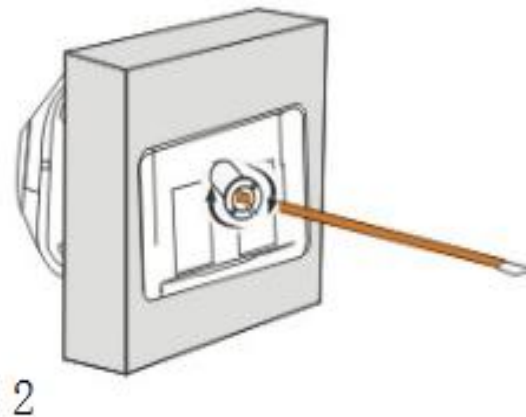
4. Indoor Monitoring Unit

DIY INSTALLATION

Step 1: Insert Outdoor Peephole lens (pls tear backing paper of 3M double-sided adhesive) through door from outside.

Step 2: Insert the peephole barrel though Extral Battery Base and rotate to fix them with Outdoor peephole lens..

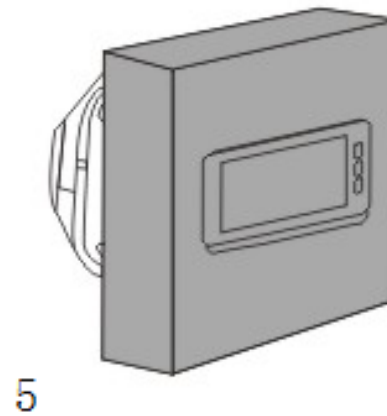
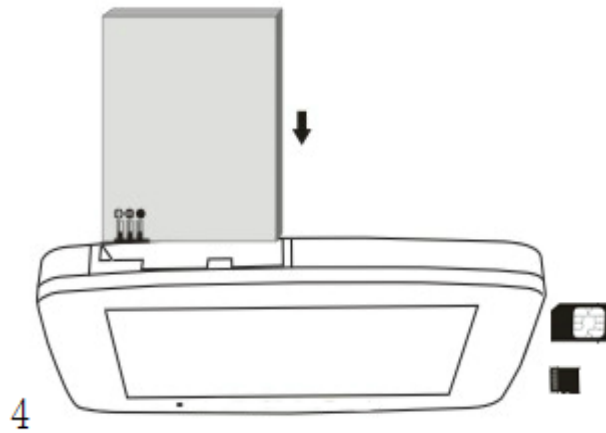
Step 3: Connect the FPC Male connector to the Female connector on the Battery Base and then close the FPC door and put 2 pieces of BL-5C battery into the battery base and close the battery door..



DIY INSTALLATION

Step 4: Insert the battery into the indoor monitoring unit and insert the SIM card/Micro SD card(if any) into the indoor unit.

Step 5: Slide and put the indoor monitoring unit onto the battery base



Operation Instruction

Press the POWER KEY  to switch on the product,It will display the main screen as below:



Mode select: To select Home mode or AWAY mode(**Please refer to page 11**)

Photos :To Preview the guest picture that taken by DDV

Videos: To Preview the guest`s video message who leaves to you

Security Alarm Set: To Enter security alarm setting screen (**please refer to page 12**)

Menu: To Enter main menu screen(**please refer to page 13**)

Operation Instruction

Home Mode: When Home Mode is active, anyone press the door bell or be detected by movement PIR detector ,the device will snap one visitor picture and save to Micro SD card. You can preview the visitor picture by press the “photos” icon

AWAY Mode: When AWAY Mode is active, anyone press the door bell or be detected by movement PIR detector ,the device will snap one visitor picture and save to Micro SD card and immediately send you one MMS alert with visitor`s picture. And the device will allow visitor to leave a 10s` video message and save into the Micro SD card.(HDM mode without MMS alert function)

If Visitor is urgently finding you, after press 3 times of door bell, the device will call your mobile phone, so you can talk with visitor directly.(*Apply for GSM model only)

Operation Instruction

After press Alarm Set Icon,it will display the security alarm setting screen as below:



1.One Step Deployment: It shows the status of the security deployment (Deploy/Disarm)

2.Detectors Setup: It provides customer to Match one or more detectors with the DDV

(to Match the detectors, just activated one detectors for 10s until the DDV display Matching success)

Operation Instruction

After press the menu Icon it will display the main menu screen as below:



Operation Instruction

Photos :To Preview the guest picture that taken by DDV

Videos: To Preview the guest`s video message who leaves to you

Calendar: To display the full calendar

SOS: To enter/edit the device bonded SOS number

Smart Inspection: To enter monitoring setting screen(**please refer to page12**)

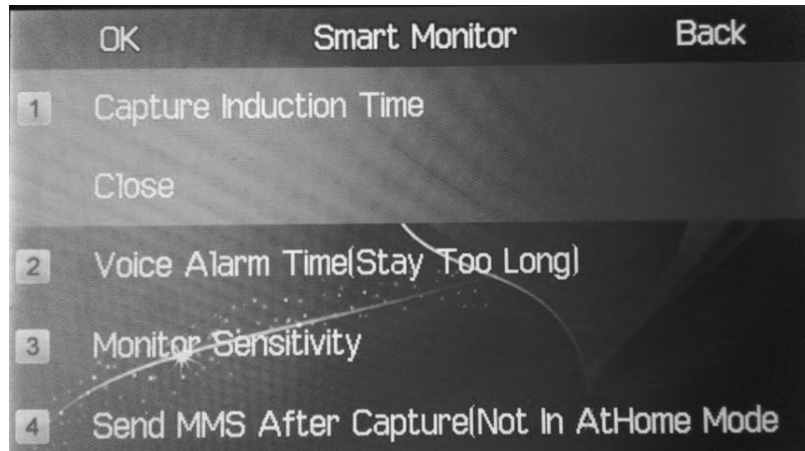
File Manager:To view/edit the files contained inside the device or memory card

Setting:To enter Device setting screen(**please refer to page13**)

Device info: To display the device information

Operation Instruction

After press the Smart Inspection icon,it will display the screen as below:



1.Movement Detecting Time: To select how long if device detected the visitor movement will trigger picture snapping

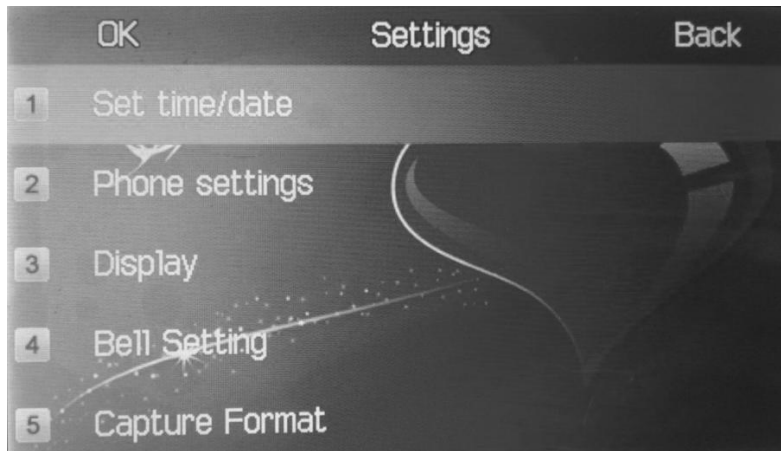
2.Voice alarm time(visitor stay too long): To select how long the alarm will ring if visitor staying in front of your house

3.Movement Detecting Sensitivity:To select movement detecting sensitivity

4.MMS sending setting:To enable/disable the MMS sending after snapped the visitor`s picture

Operation Instruction

After press the Setting icon,it will display the screen as below:



1.Set Time/Date: To setup Time and Date

2.Language setting: To select device language

3.Display: To select Wallpaper/LCD brightness and adjust the touch panel

4.Bell setting: To select all alarm/door bell ringtong

5.Capture Format: To select the picture format that will be saved in Micro SD card

6.Restore Settings: Recovery the factory setting

Package Contain:

1. Outdoor peephole les Unit * 1
 2. Indoor monitoring unit*1
 3. Extral Battery base unit*1
 4. Peephole barrel *1
 5. Peephole adapter *1
 6. Tighting tool
 7. BL-5C battery *2 (for battery base)
 8. BL-6N battery*1(for indoor unit)
 9. USB charger *1
 10. User Manual * 1
-

【Notes】

(1)Our Company is committed to reform and innovation, and reserves the right to make changes and improvements without further notice. Illustrations in this manual are for reference only.

(2)All warranty and liability is void should you or your dealer open the unit without authorization or remove/deface the product labeling

(3)Warranty: For one year from purchasing this product, we promise to provide you with free maintenance and technical support. This excludes damage during installation, unauthorized tampering and willful damage.

(4)Warranty periods different from this cannot be support by the manufacturer.
