

User manual

The smallest high definition camera in the world

Preface

Thank you for purchasing our product, high definition digital camcorder, exquisite special sport design with multi-function.

This user manual will give you full instruction of using the product, and also provide you information of the product in detail. Please read this manual carefully before using the product. Please keep this manual well. We hope our product could satisfy your need and wish to serve you for long-term.

No further notice will be informed if technical specification or appearance of this product changed.

Summary

This high-tech mini HD camcorder is designed for the demand of the market. This product has the most electronic functions such as HD digital video, digital photo, USB data transfer, HDMI output...

Large range of application, memorize every wonderful moment.....

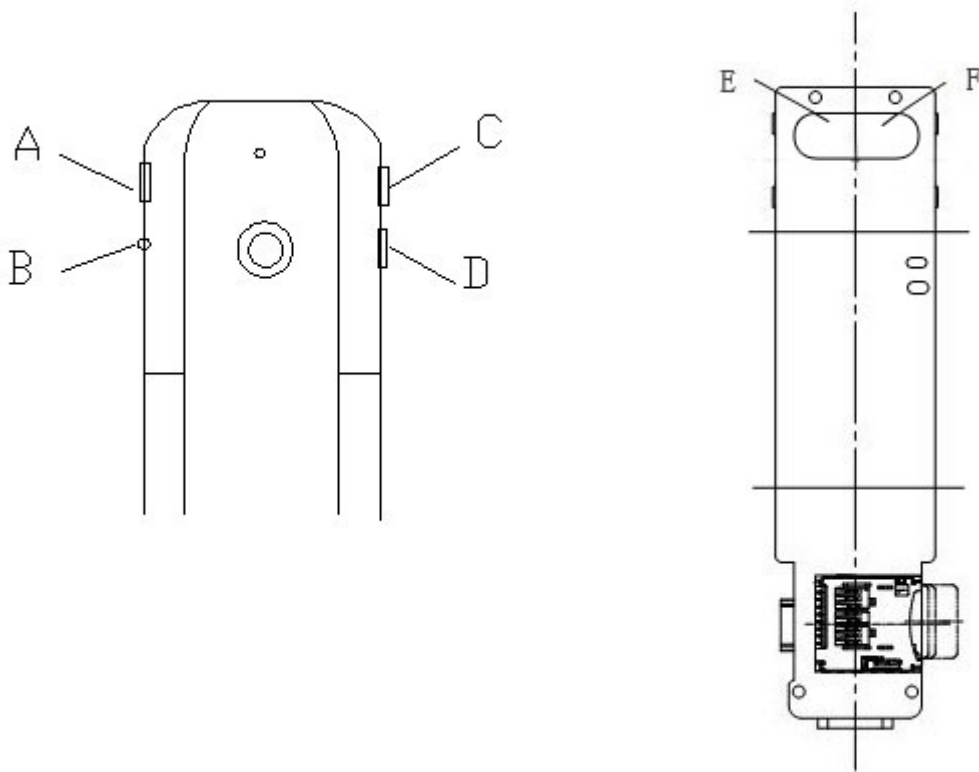


Features

- High Definition videos or photos
- Lens: 5.0 mega pixel, CMOS
- Video format: 1280×720, 30Fps, MOV
- Photo format: 3200×2400 jpeg, 8.0 mega pixel.
- Interface: USD2.0 / HDMI
- HDMI Port: Support to display on high definition TV directly
- High capacity Lithium-ion rechargeable battery

- Support micro SD card

Configuration



A	MODE
B	RESET
C	FAST FORWARD
D	FAST BACKWARD
E	RECORD
F	POWER

OPERATING INSTRUCTION

◆Charging the Battery

1. Using the charger: One end of the USB cable connects the charger and another links to the USB port of the camcorder, camcorder light will flash when charging. After full charge, red light keeps on.
2. Connect computer: Connecting the USB cable to computer could charge too, red indicator light flash when charging.

◆Inserting & Taking out Storage Card(Micro SD card)

1. Carefully insert the storage card into the card slot.
2. To remove the card, push the card in lightly, and then release it, when the card is rebounded then pull it out.

Note:

1. Before using micro SD card. Please check whether it is locked;
2. Please make sure micro SD card is oriented in the right direction. Inserting micro SD card in the wrong direction might cause damage to the product and the micro SD card;
3. If the card is not compatible with the product, it might not be read. In this case, take out the card and insert it again, or change another micro SD card.

◆Power on

Press the POWER button slightly, red light on and off quickly then turn to blue, this device is powered on.

◆Video mode

1. This product automatically goes to video mode after it is powered on. The blue indicator light begins to light always.
2. Press RECORD button to start taking video, the blue and red indicator light begin to bright always. Press RECORD button again to stop recording, the blue indicator light always on and red light off.

◆Photo mode

1. After power on this device, press the MODE button. The blue indicator light begins to flash always.
2. Press RECORD button to take photo, the red light bright always and the blue light flash twice, And then enter to the standby mode again, the red light off and blue indicator light flash always.


◆HDMI mode

1. Connect the product to the TV or PC using HDMI line. Turn on the product to go to Video mode, then can see the frames which the same with the product's lens. Press the Record button, It begin to take video. And can see the frames in the TV or PC immediately. Press the Record button can play the current video.
2. Press the Mode button, enter into photo mode. Press the mode button again to enter into review mode. Press direction key forwards and backwards to review pictures and video taken.

◆Review mode

1. Turn on the product to go to Video mode. Press mode key to enter into Photo mode. And then press mode key to enter into Review mode. Press direction key forwards and backwards to review pictures or videos taken.
2. User can press direction key to review taken pictures or videos. Press Record key to play the video in the TV. Press mode to exit.

Tips:

If the displayed picture is tagged with "", then it is a video. Press Record key to play the video. Pressing Record key again it will come to pause. While playing video, you can use direction key to forward or backward playing. To exit playing mode, you have to press Record key to pause first, and then press direction key to go to the next file.

1. Regardless of video/camera/review mode, press Mode key for 3 seconds to enter into setting mode. Pressing Mode key could enter each setting Menu (For detailed setting information, please refer to setting table).
2. At any menu mode, pressing direction key will enable user to go to menu setting options to choose desired setting, then press Mode to confirm.
3. At any mode or menu setting, press the record key can exit current setting to original mode.

File storing

◆USB Storage Mode

If had inserted micro SD card into product, after connect with computer, you can find two removable disks from "My computer" (one is internal storage, the other is external storage card); find the stored videos and pictures under "Removable hard disk/ DCIM/100MEDIA", data can be saved, transferred, cut, copied and deleted through computer system.

◆Connecting product to TV or PC

1. Connecting product to TV with an HDMI cable to review pictures and videos.
2. Connecting product to PC with an HDMI cable to review pictures and videos.

Tips:

1. No drive is needed to be installed. U disc can only be used when the video camera is on.
2. The TV and PC must have the HDMI port then the product can connect to it.

Functions of keys

Video Mode	
Power Button	Turn on or off the product
Record Button	Take Video or Pause take video
Mode Button	Enter into photo mode

Photo Mode	
Record Button	Take Video or Pause take video
Mode Button	Enter into review mode

HDMI Mode	
Power Button	Turn on or off the product
Record Button	Take Video or Pause take video or play video
Mode Button	Enter into photo mode/enter into review mode
Forwards	Next video or picture
Backwards	Last video or picture

Mode & Menu setting

Mode	Menu	Setting
Taking Videos	Size	1280*720/848*480/640*480/320*240
	EV	+0/-0.3/-0.7/-1/-1.3/-1.7/-2/+2.0/+1.7/+1.3/+1/+0.7/0.3
	White B	Auto/Sunny/Cloudy/Tungsten/Fluorescent
	Contrast	Standard/Hard/Soft
	Sharpness	Standard/Hard/Soft
	Effect	Vivid/monochrome/negative/sepia/art/off
	Duration	No/15min/30min/45min
	Recycle	No/1min/5min/10min/15min/20min
Pictures	Size	8M/5M
	EV	+0/-0.3/-0.7/-1/-1.3/-1.7/-2/+2.0/+1.7/+1.3/+1/+0.7/0.3
	Quality	Fine/good/normal
	White B	Auto/Sunny/Cloudy/Tungsten/Fluorescent
	Contrast	Standard/Hard/Soft
	Sharpness	Standard/Hard/Soft
	Effect	Off/Art/Sepia/Negative/ Monochrome/Vivid
	Selftimer	No/Yes
Burst	No/3pics/5pics	

Review	Delete	No/Yes
	Slide Show	No/1Second/3Second/5Second
System	Volume	0/1/2/3.....8
	Language	English/Japanese/Simplified Chinese/Chinese Traditional
	Date	000 00 00
	Clock	00:00
	Format	Cancel/Yes
	Sys.reset	No/Yes
	Auto off	Off/1minute/3minute/5minute
	Light Freq	50HZ/60HZ
	Version	V.0000 00 0000

Specifications

Sensor	5M pixel CMOS sensor
Video	Video format: 1280 * 720 30fps, MOV
Photo	Photo format: 3200 * 2400, jpeg
Video output	HDMI, support 720P output mode
Storage	Internal: 32M External: support 32GB (Max.)
Interface:	HDMI / USB2.0
Battery	500mAh lithium-ion rechargeable battery
Working temperature	-10°C - 50°C
Working humidity	15% - 85%
Product size:	108mm (L) * 28mm (W) * 18mm (H) (Approx.)
Products weight	36g

Troubleshooting

- ◆Cannot take pictures, videos and record voice ?
Please check if had inserted the micro SD already, and if this micro SD card have enough place.
- ◆Images cannot be transferred to HDTV screen ?
Please make sure that HDMI cable is completely plugged into TV'S HDMI port. Please use the HDMI cable comes along with the HDDV.
- ◆Pictures and videos taken are not clear ?
Please check whether lens is covered with any dirty. If so, clean the lens before using it.