



Service Manual

Washing machine

Frontloader

AWG166/WH-2

Model Version		Page
AWG166/WH-2 8537 166 70330		
	Technical data	2
	Spare part list	3
	Exploded view	4 - 5
	Wiring diagram	6
	Circuit diagram	7
	Program diagram	8

Technical data

Dimension

Height	85	cm
Width	59.5	cm
Depth	53	cm

Weight

Gross	~ 74.5	kg
Net	~ 73	kg

Main connection

Voltage	110+6%,-10%V	
Frequency	60	Hz
Power Consumption	1660	W
Fuse rating	16	A

Drum data

Volume	42.5	l
Spinning :		
Cotton/synthetics (washing-rinsing)	50/60	rpm
Speed spinning	500	rpm

Capacity of dry laundry

Loading - washing max.	4.5	kg
------------------------	-----	----

Heating

Type	Tubular radiator	
Rated power draft:	1450	W
Voltage	110	V

Drain pump

Power	~34	W
Capacity	20 - 25	l/min
Rotation speed	~2500	rpm
Height of draining hose:		
max.	0.90	m
min.	0.60	m

Motor

Type	Asynchronous	
	2/16	poles

Capacitor

	55	μ F
--	----	-----

Timer washing

Type	1375-02	
Frequency	60	Hz
The timer chart includes	2 basic programs :	
	- normal washing	
	- delicate washing	

Thermostat

A- fixed thermostat	33	°C
B- adjustable thermostat	0 - 60	°C

Pressostat (without laundry)

Low level	~ 17 ± 1	l
High level	~ 22 ± 1	l

Water valve

Capacity max.	7	l/min
Working pressure	0.5-10	kg/cm ²
max.	5 -100	N/cm ²

Push button switch unit

Version with 2 buttons :	
- On/off	AS
- Half load	LWS

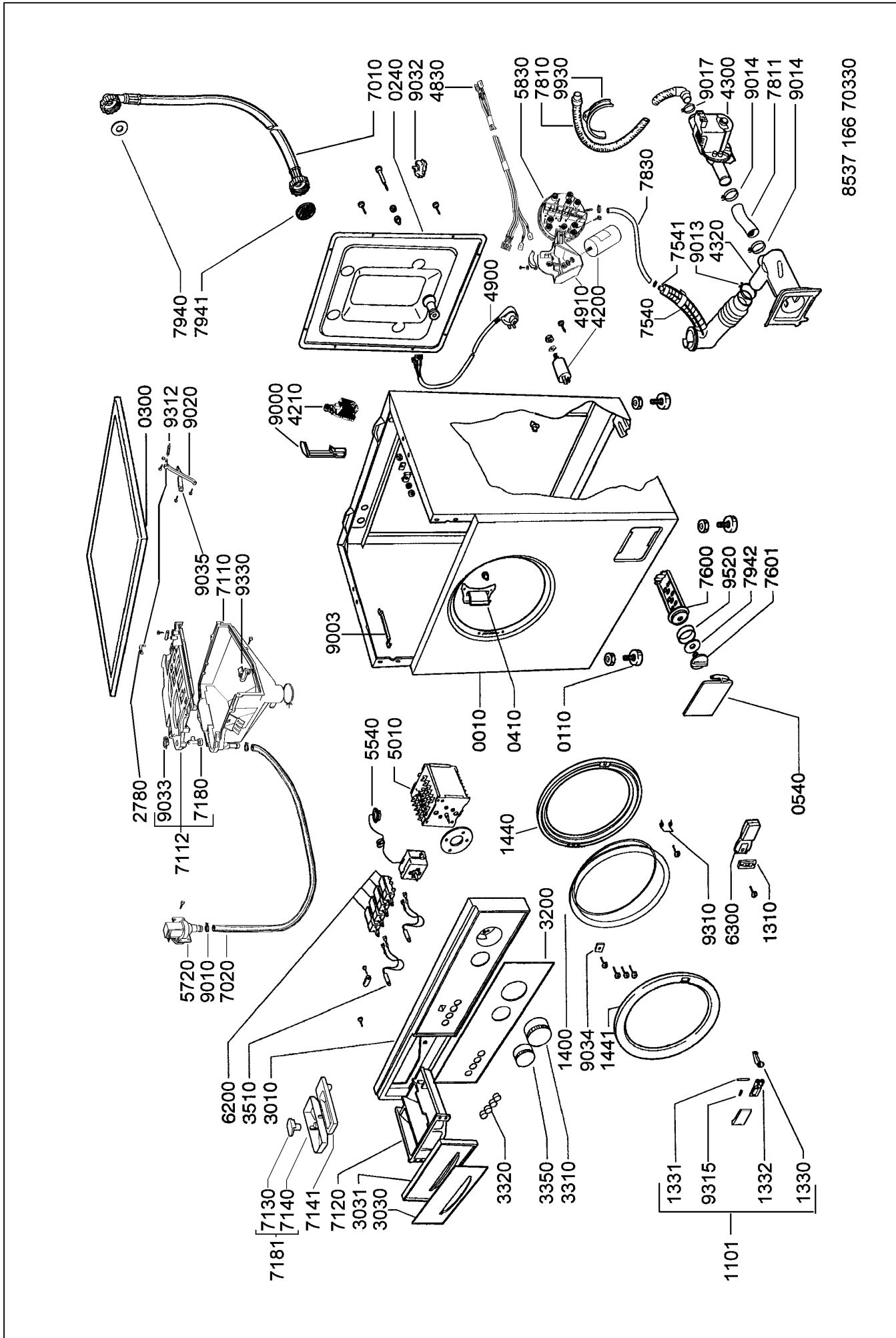
Spare part list

Model **AWG 166/WH-2**
Service No. **853716670330**
Version **853716670330**

Pos. No.	12NC Code	Description
001 0	4819 440 19821	Cabinet
003 0	4819 404 43391	Bearer hook crosspiece
011 0	4819 462 47014	Foot adjustable
024 0	4819 903 03649	Panel, rear
030 0	4819 440 19577	Table top
041 0	4819 417 19534	Hinge
054 0	4819 462 79958	Cover
061 0	4819 466 89475	Counter weight
061 1	4819 466 89461	Counter weight bottom
083 0	4819 466 47003	Friction plate
086 0	4819 903 03669	Spring
086 1	4819 502 18389	Fastener
086 2	4819 310 39573	Kit fixation
086 3	4819 466 89132	Fastener counter weight
086 5	4812 904 48019	Friction pad unit
110 1	4819 498 78472	Handle cpl.
131 0	4819 903 10159	Lock Plate
133 0	4819 903 10175	Door latch
133 1	4819 903 10174	Pin handle
133 2	4819 903 10176	Door catch lever
140 0	4812 450 58442	Door glass
143 0	4819 903 02494	Strap
144 0	4819 903 10179	Frame,door glas
144 1	4812 459 28046	Glassdoor frame
144 2	4819 532 88054	Collarring
190 0	4819 468 18365	Gasket, door
200 0	4819 418 18375	Tub
201 0	4819 440 19881	Tub cover a. bearing
201 1	4819 532 28273	Ring
201 3	4819 532 28274	Ring
210 0	4819 903 03688	Crosspiece
220 0	4819 418 18246	Drum
220 1	4819 903 03676	Drum
271 0	4819 358 18154	Belt
272 0	4819 903 03672	Pulley
278 0	4819 535 98468	Shaft
291 0	4819 903 03668	Gasket tub
301 0	4812 460 78984	Control panel
303 0	4812 460 79056	Insert f.Handle
303 1	4819 498 69836	Handle, drawer
320 0	4812 452 11818	Insert panel
331 0	4812 412 48031	Knob,timer
332 0	4819 410 28605	Button,push
335 0	4812 413 59122	Knob thermostat
351 0	4812 134 48293	Pilot lamp
401 0	4812 361 58325	Motor
420 0	4812 121 18227	Capacitor 55 µ F
421 0	4812 121 18216	Interf.filter
430 0	4812 360 18507	Pump,draining
432 0	4819 480 58137	Filter body
451 0	4812 259 28794	Heating element
483 0	4812 321 78163	Cable harness
490 0	4812 321 18189	Cable,mains
491 0	4812 290 68234	Connect.block
501 0	4812 328 18187	Timer 1375-02

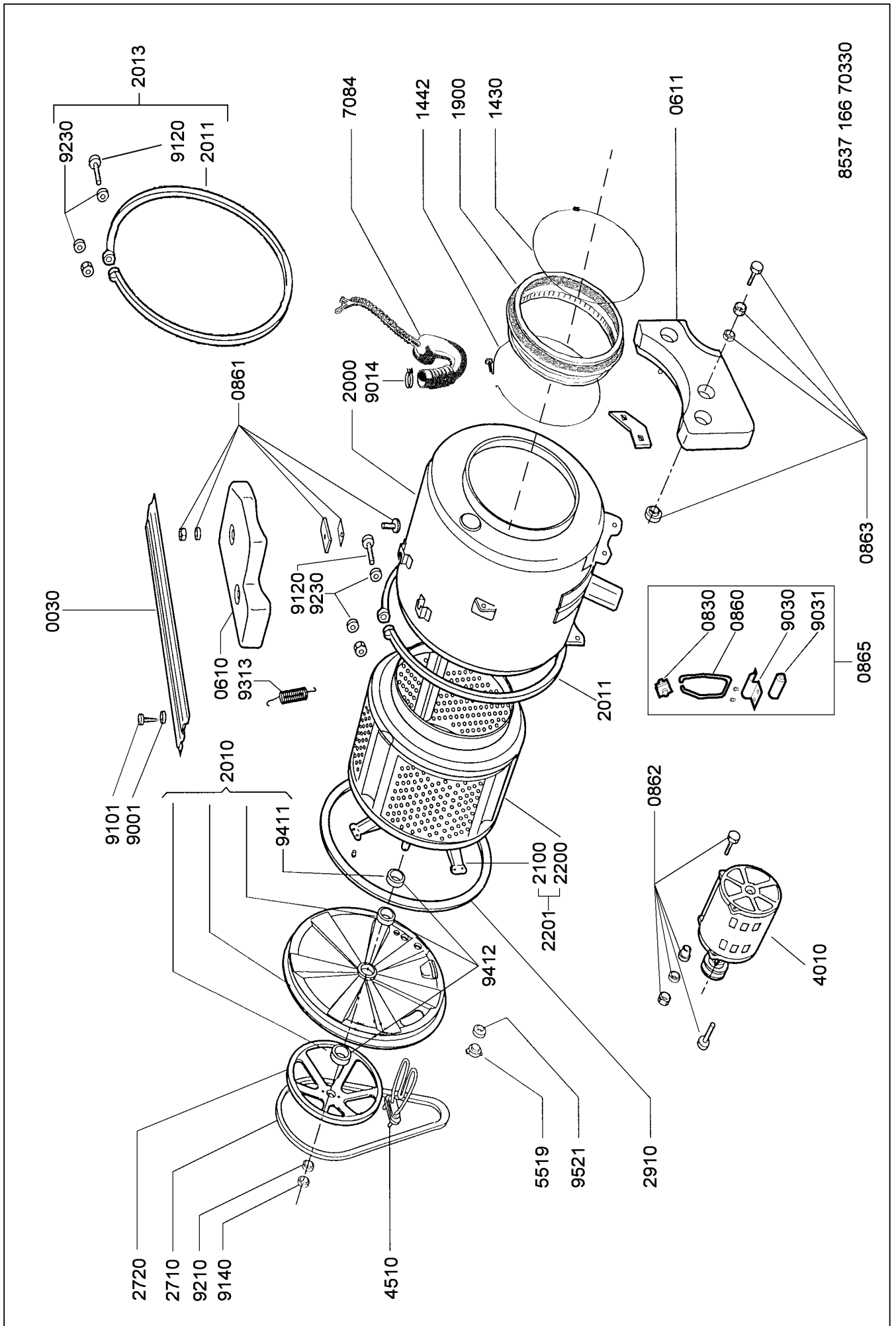
Pos. No.	12NC Code	Description
551 9	4819 282 48094	Thermostat 33 deg.C.fix
554 0	4812 282 08624	Thermostat adjustable
572 0	4812 281 28433	Valve,magnet cold water
583 0	4819 271 28872	Pressostat
620 0	4819 276 38336	Switch on/off
630 0	4812 280 58028	Door lock
701 0	4819 530 28932	Hose, inlet 1.5 m cold water
702 0	4819 530 29024	Hose, inlet
708 4	4819 530 28545	Drainhose inner
711 0	4819 418 78068	Dispenser
711 2	4819 462 79036	Cover dispenser housing
712 0	4819 418 78067	Drawer
713 0	4819 418 78989	Accessory deterg. fluid
714 0	4819 418 78988	Container liquid detergent
714 1	4819 418 78166	Tray bleach
718 0	4819 360 69853	Nozzle
718 1	4819 310 38651	Accessories liquid detergent
754 0	4819 530 28862	Drainhose
754 1	4819 530 29038	Chamber,air
760 0	4819 480 58082	Filter
760 1	4819 462 78861	Grip filter
781 0	4812 530 29045	Hose,draining
781 1	4819 903 02515	Hose
783 0	4819 530 28908	Hose Pressostat
794 0	4819 903 04978	Gasket
794 1	4819 310 38057	Gasket
794 2	4819 532 68309	Cover filter
900 0	4819 401 18737	Hook
900 1	4819 466 98528	Clamping piece
900 3	4819 404 78867	Bracket
901 0	4822 401 10258	Clamp,hose 10-18 mm
901 3	4819 401 18351	Clamp,hose
901 4	4819 401 18174	Clamp,hose 25-45 mm
901 7	4819 401 18429	Clamp
902 0	4819 535 98469	Lever
903 0	4819 492 68392	Clamp
903 1	4819 903 02535	Silent bloc
903 2	4819 401 18782	Holder,hose
903 3	4819 903 02466	Lever
903 4	4819 903 10167	Door glass insert
903 5	4819 903 02469	Rocker
910 1	4819 502 18347	Screw
912 0	4819 502 18345	Screw
914 0	4819 505 13084	Nut
921 0	4819 532 13433	Washer pulley
923 0	4819 532 68707	Washer
931 0	4819 903 10178	Spring
931 2	4819 903 02471	Spring
931 3	4819 492 68872	Spring,tension
931 5	4819 903 10172	Spring,ret.
933 0	4819 903 03659	Spring,tension
941 1	4812 530 78048	Shaft seal
941 2	4819 310 38768	Bearing, kit
952 0	4819 466 69816	Gasket
952 1	4819 903 02447	Gasket thermostat
993 0	4819 401 18345	Bow

Exploded view

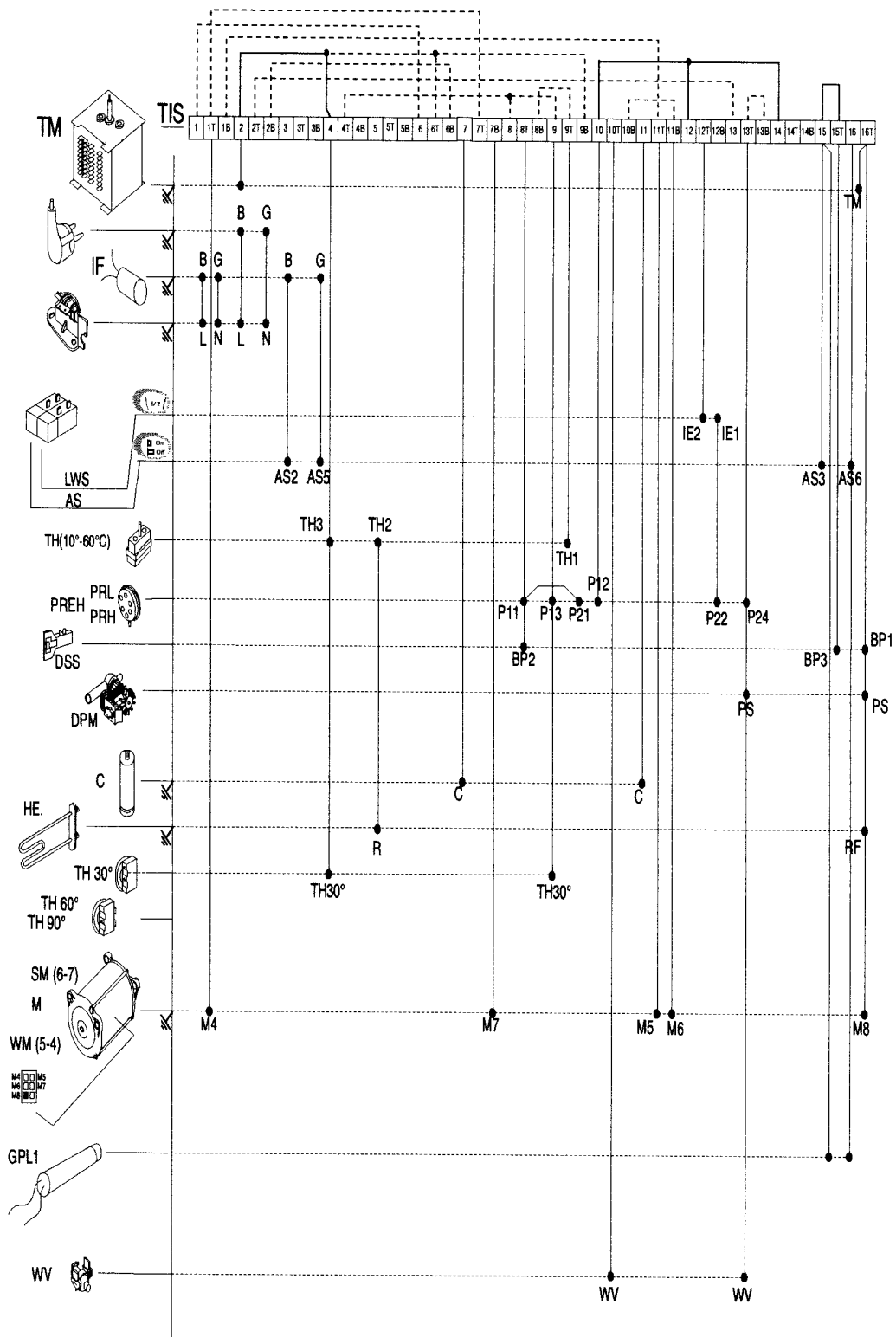


8537 166 70330

Exploded view

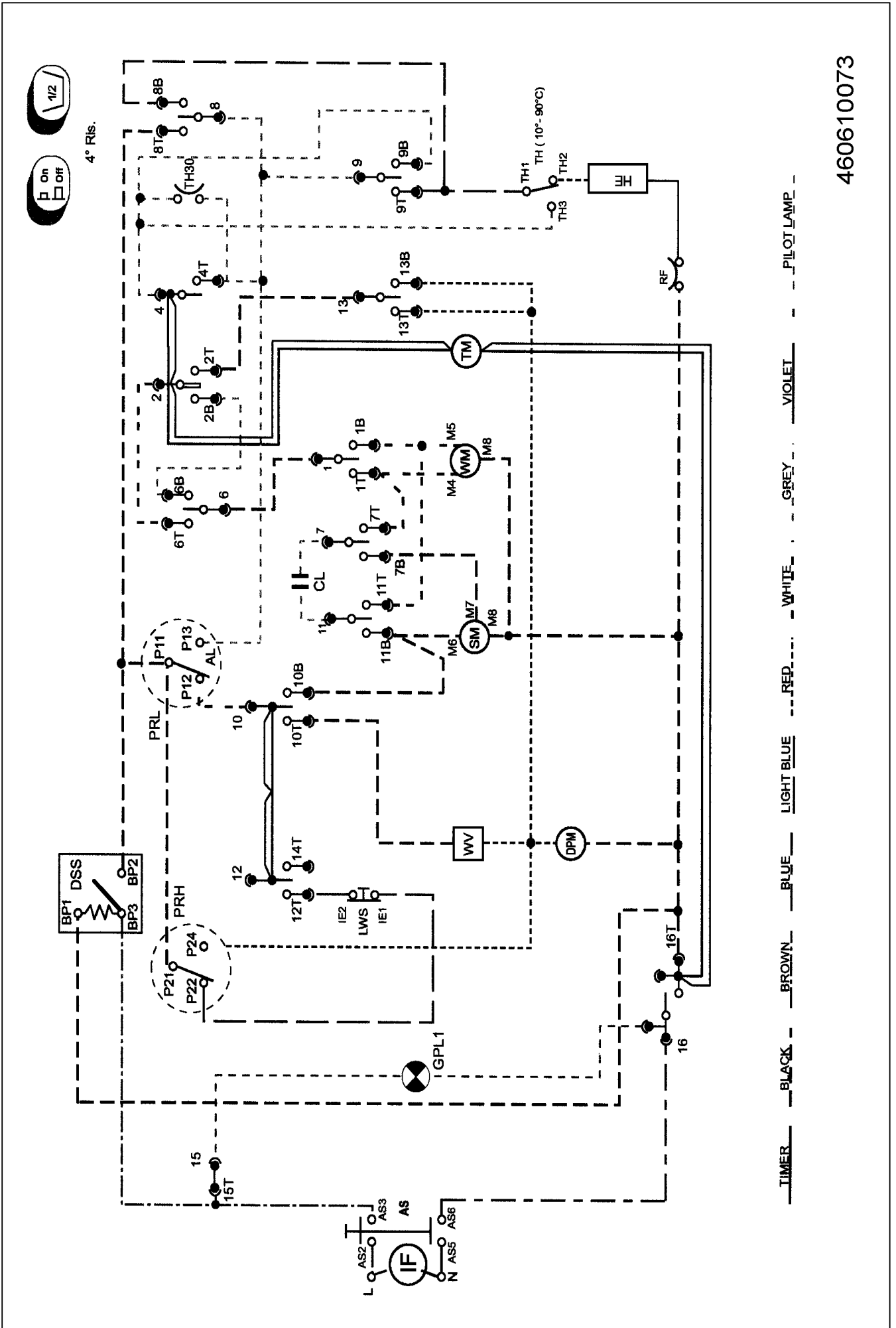


Wiring diagram



- | | | | |
|------------------------------------|---------------------------------|--|-----------------------|
| TM Timer motor | DSS Micro delay switch | ER Extra rinse button | B Brown |
| EM Thermostop | DPM Drain pump motor | TH (10°-90°C) Adjustable thermostat | G Blue |
| IF Interference filter | VAT Variable temperature | TH Klixon | ⏏ Yellow-Green |
| RSS Spin delay button | VSS Variable spin speed | M Main motor | |
| SDE No spin button | TR Thermal resistivity | SM Spin-dry motor | |
| LWS Half load button | TK Tachometer | WM Wash motor | |
| e Eco button | WV Water valve | CU Control unit | |
| CWS Cold wash button | CC Spin capacitor | C Capacitor | |
| PRL Low level pressostat | CL Wash capacitor | MC Low/high speed | |
| PRH High level pressostat | HE Heating element | GPL1 Pilot lamp | |
| WVC Water valve (cold fill) | RE Relay | GPL2 Door pilot lamp | |
| WVW Water valve (hot fill) | RF Heating protector | | |
| PREH Pressostat | AS ON - OFF button | | |

Circuit diagram



460610073

