

ignition

MANUAL



LED Colour Invader II RGBW

Table of contents

| | |
|--|----|
| 1. SAFETY INSTRUCTION..... | 3 |
| 1.1. FOR SAFE INSTALLATION AND EFFICIENT OPERATION | 3 |
| 1.1.1. Use of the item as intended..... | 3 |
| 1.1.2. Overhead rigging | 4 |
| 1.1.3. Installation of the base plate..... | 5 |
| 1.1.4. Cleaning and Maintenance..... | 6 |
| 1.1.5. DMX Connection..... | 7 |
| 2. Introduction..... | 8 |
| 2.1. Technical data | 8 |
| 2.2. Technical drawing..... | 9 |
| 3. Menu..... | 9 |
| 3.1. Menu structure..... | 9 |
| 3.2. Key lock with password enable/disable..... | 10 |
| 3.3. ID Address | 10 |
| 4. DMX Table | 11 |
| 4.1. Selection of the ID address during DMX | 12 |
| 4.2. Using the ID address | 13 |

The manual contains complete information about the item and how to operate with the device. Please once again make sure to that you read the operation instruction and safety information before using the device. Throughout the manual the following conventions are used distinguishing the elements of text:

■ **CAUTION:** Identifies important information which should be followed to avoid damage of device

■ **NOTE:** Provides additional hints or information that requires special attention.

Menu names, command, icon or button that you can see is shown in bold style.

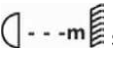
1. SAFETY INSTRUCTION

■ **NOTICE** All modifications to the device will void the warranty and installation and repairs are to carry out by skilled personnel only.

■ **CAUTION** Avoid looking directly into the source of light. It may cause epileptic seizures. Avoid touching the item when ON, the housing can reach a high temperature from the heat developed by the high power LED.

1.1. FOR SAFE INSTALLATION AND EFFICIENT OPERATION

1.1.1. Use of the item as intended

- The device is designed for use on stages, in discotheques and for architectural illumination. The device is approved only for a connection up to a maximum of AC 100-240V, 50/60Hz.
- The ambient temperature must be between **32°F / 0°C** and **104°F / 40°C**. Avoid exposing the device to direct rays of the sun or next to a heating appliance. This also applies for transportation in closed vehicles.
- The device may only be operated at a level between **-20** and **2000m NN**.
- The symbol  stands for the min distance between the item and objects. The distance between light source and surface should not be less than **1.5 m**. Make sure that there is **50 cm** space around the item for good ventilation.
- Regular stoppages increase the life of your device.
- Avoid shakes and every form of violence during the installation or usage.
- Make sure that the device is not exposed to extreme heat, humidity or dust at the installation spot. Make sure that cables do not lie around. This would decrease your own safety and the safety of third parties.
- Do not operate the device during thunderstorms. Overvoltage could destroy the device. Disconnect the device during thunderstorms completely from the grid by pulling the mains plug.

- Avoid looking directly into the source of light. It may cause epileptic seizures. This applies in particular for people where epileptic seizure has been diagnosed by a doctor.
- Power cable, never pull the power cable to remove the plug from the receptacle, is sure to hold the plug. When not using the device for an extended period of time, be sure to disconnect the plug from the receptacle.
- Make sure that the area under the item is blocked, while mounting it or working on it.
- When cleaning, use a clean dry cloth to wipe off the dust, or a wet soft cloth for stubborn dirt.

NOTE After taking the device from a warm to a cold room, it may not be put into operation. The resulting condensation can possibly destroy the device. Do not turn on the device until it has reached ambient temperature.

NOTE Damages caused by the disregard of this user manual are not subject to warranty. The dealer will not accept liability for any resulting defects or problems. Make sure the electrical connection is carried out by qualified personnel. All electrical and mechanical connections have to be carried out according to the European safety standards. This device falls under the protection class I. It is necessary to follow the instructions.

1.1.2. Overhead rigging

The suspension devices have to be build and measured so they can withstand for an hour the tenfold of the payload without suffering a permanent detrimental deformation. Basically installation has to be made by using a second separate suspension. This can be e.g. a suitable net. The second suspension must be designed and attached so no part of the installation can fall down in case of failure. The maximum drop distance must never exceed **20 cm**.

During construction, reconstruction and deconstruction unnecessary stay in the range of moving areas, on lightning bridges, under elevated work stations or any other danger zones is forbidden. Before taking the device in operation, the installation must be approved by an expert. The operator is obliged to get an expert to check safety-related and mechanical facilities at least once a year.

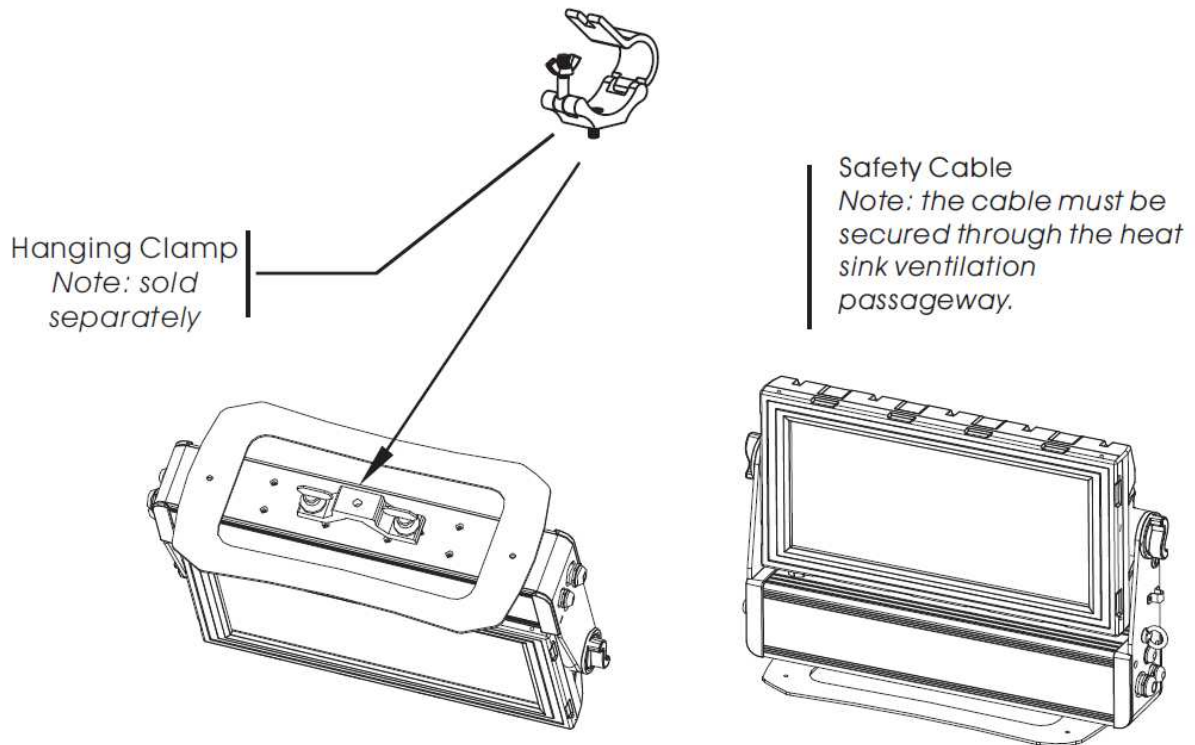
NOTE Overhead installation requires a high level of experience. This includes knowledge of calculating the payload, used installation material and safety inspections of the used installation material and the projector whereas the required experience is not limited to this. Do not try to carry out installation yourself under any circumstances if you are not qualified. Contact a professional installer. An inappropriate installation can lead to injuries and/or damaged properties.

If the projector may hang from the ceiling or from high beams, the use of truss systems is mandatory. The projector may not be installed so it can swing freely in the room.

■ **CAUTION** Crashing down items can cause serious injuries! Do not install the projector, if you doubt the safety of a possible installation form!

■ **CAUTION** When rigging the device, make sure there is no highly-inflammable material (decoration articles, etc.) within a distance of min. **1.5 m**.

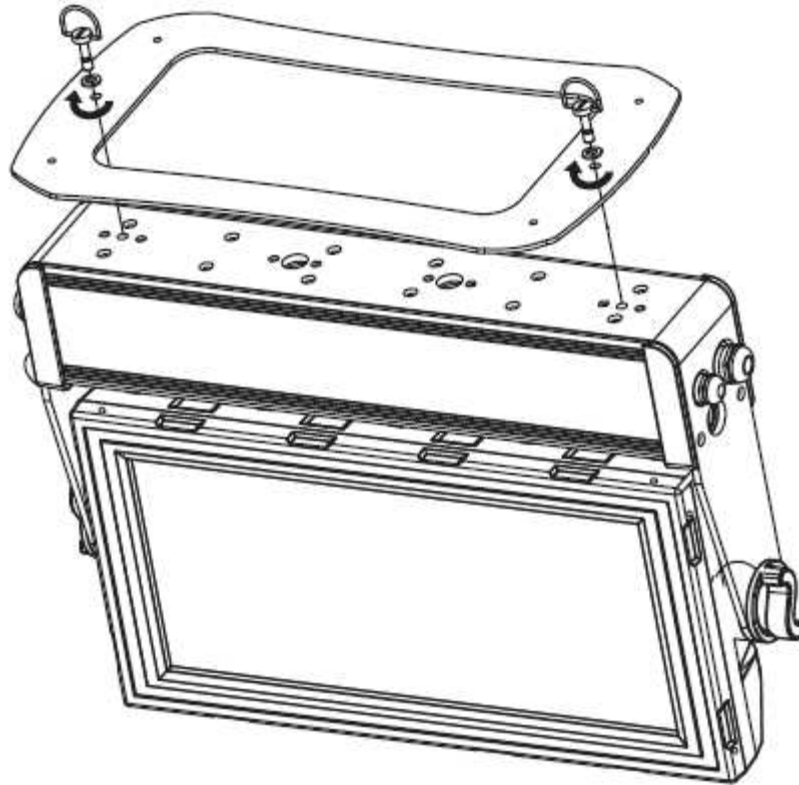
Mount the projector with the mounting-bracket to your trussing system using an appropriate clamp.



During overhead installation the projector must be always secured by a safety rope which is designed to hold the twelvefold weight of the device. Only safety ropes with quick-release safety fastener elements may be used. Hang up the safety rope in the hole of the mounting bracket. Direct the rope over the truss or an appropriate fastening point. Hang up the end in the fastening element and tie up the locking nut. A safety rope once exposed to falling load or damaged may not be used furthermore. Adjust the desired inclination angle via the mounting-bracket and tighten the screw.

1.1.3. Installation of the base plate

To use this device standing you have to use a base plate.



1.1.4. Cleaning and Maintenance

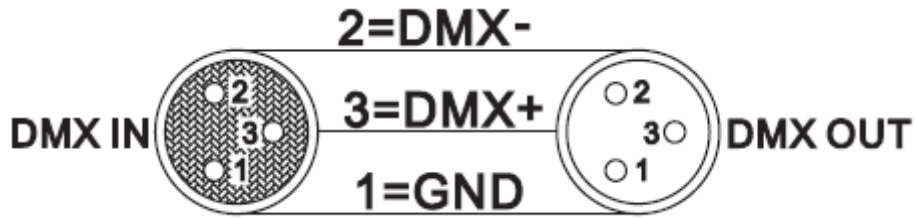
Contaminations like dust should be removed regularly from the device. Use a damp, lint free, cloth. Do not use alcohol or solvents under any circumstances. Please make sure that safety-related and mechanical facilities are inspected by a skilled person once a year.

- Ensure all screws attached to the device or parts of the device are very tight and not corroded.
- Make sure there are no deformations of the housing, attachment and installation spot. This also includes the ceiling, the suspension and the truss.
- Electrical connection cables may not have any damages, depositions or signs of material fatigue e.g. porous connections.

Important: Damages caused by the disregard of this user manual are not subject to warranty. The dealer will not accept liability for any resulting defects or problems. Make sure the electrical connection is carried out by qualified personnel. All electrical and mechanical connections have to be carried out according to the European safety standards.

1.1.5. DMX Connection

If you use a controller with a 5 pin DMX output connector, you will need to use a 5 pin to 3 pin adapter.



| Conductor | 3Pin female | 5Pin male |
|-----------------|-------------|------------------|
| Ground/Shield | Pin 1 | Pin 1 |
| Data (-) Signal | Pin 2 | Pin 2 |
| Data (+) Signal | Pin 3 | Pin 3 |
| | - | Pin 4 not in use |
| | - | Pin 5 not in use |

2. Introduction

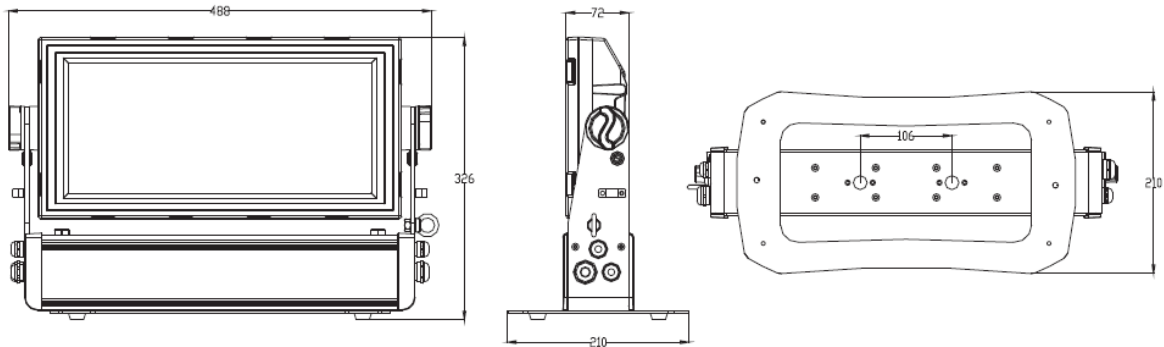
Congratulations to your purchase and thank you for selecting one of our products.

The device is a powerful silent lighting device. For successful installation and secure operation and secure please read the user manual before starting operating with the device.

2.1. Technical data

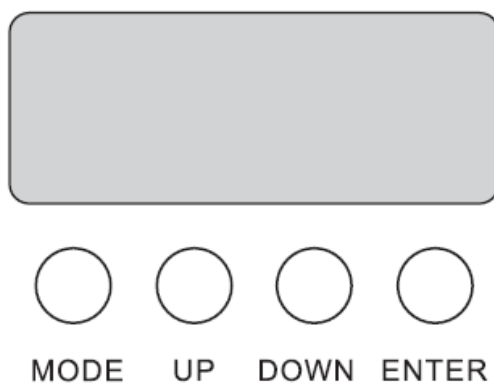
| Power supply | |
|------------------------|---------------------|
| Voltage | AC 220-240V/50-60Hz |
| Power consumption max. | 250W |
| Battery | no |
| Light source | |
| LM type | LED 4in1 RGBW |
| Optics | |
| Beam angle | 25° |
| Zoom | no |
| Focus | no |
| Controlling | |
| Sound-to-light | no |
| Automatic | yes |
| Master-Slave | yes |
| DMX512 | 4/5/8 channels |
| Hardware | |
| Protection class | IP65 |
| Suitability | Outdoor |
| Dimensions (L/B/H/) | 488 x 210 x 326 mm |
| Material | metal |
| Weight | 11,8kg |

2.2. Technical drawing



3. Menu

3.1. Menu structure



Holding down the “UP” or “DOWN” button for more than 3 seconds, the MENU display rotated 180°

| Menu | Submenu | Selection | Description |
|--------------|------------|----------------|---|
| DMX ADDRESS | | 001-512 | Set the DMX address |
| CONTROL MODE | Color MODE | 03CH | RGB |
| | Flash MODE | 04CH | Strobe + RGB |
| | Stage MODE | 07CH | Strobe + Dimmer + RGB + Auto + ID |
| HOST | Dimmer | 00-100 | Dimmer (0-100%) |
| | Red | 00-100 | Red (0-100%) |
| | Green | 00-100 | Green (0-100%) |
| | Blue | 00-100 | Blue (0-100%) |
| | White | 00-100 | White (0-100%) |
| | Strobe | No function | Static colors |
| | | ST01 (SP00-20) | 10 different programs with adjustable speed |
| | | ST02 (SP00-20) | |

| | | | |
|-------------|--------------|---|---|
| | Auto | ... ST10 (SP00-20) No function AT01 (SP00-20) AT02 (SP00-20) ... AT08 (SP00-20) | Static colors 8 different automatic programs with adjustable speed |
| PERSONALITY | ID Address | 01-66 | Set the ID address |
| | ID Switch | ON-OFF | Enable or disable ID |
| | Dimmer Speed | Fast | Fast dimming with unrestricted speed |
| | | Smooth | Smooth dimming with unrestricted speed |
| | KEY-Lock | ON-OFF | Enables or disables password lockout |
| WDMX | ON | No function | |
| | OFF | No function | |
| | RESET | No function | |
| INFO | Version | | Version number |

3.2. Key lock with password enable/disable

1. Press **MODE**, until you reach **PERSONALITY**.
2. Confirm with **ENTER**.
3. Press **UP/DOWN** until you reach **KEY Lock**.
4. Confirm with **ENTER**.
5. Enable (**ON**) or disable (**OFF**) the key lock with **UP/DOWN**.
6. Confirm with **ENTER**.
7. Password: **MODE, UP, MODE, DOWN, MODE, UP, MODE, DOWN**

3.3. ID Address

To enable or disable ID:

1. Press **MODE**, until you reach **PERSONALITY**.
2. Confirm with **ENTER**.
3. Press **UP/DOWN** until you reach **ID Switch**.
4. Confirm with **ENTER**.
5. Enable (**ON**) or disable (**OFF**) ID with **UP/DOWN**.
6. Confirm with **ENTER**.

To set the ID address:

1. Press **MODE**, until you reach **PERSONALITY**.
2. Confirm with **ENTER**.
3. Press **UP/DOWN** until you reach **ID Address**.
4. Confirm with **ENTER**.
5. Set the ID address with **UP/DOWN** between 01-66.
6. Confirm with **ENTER**.

4. DMX Table

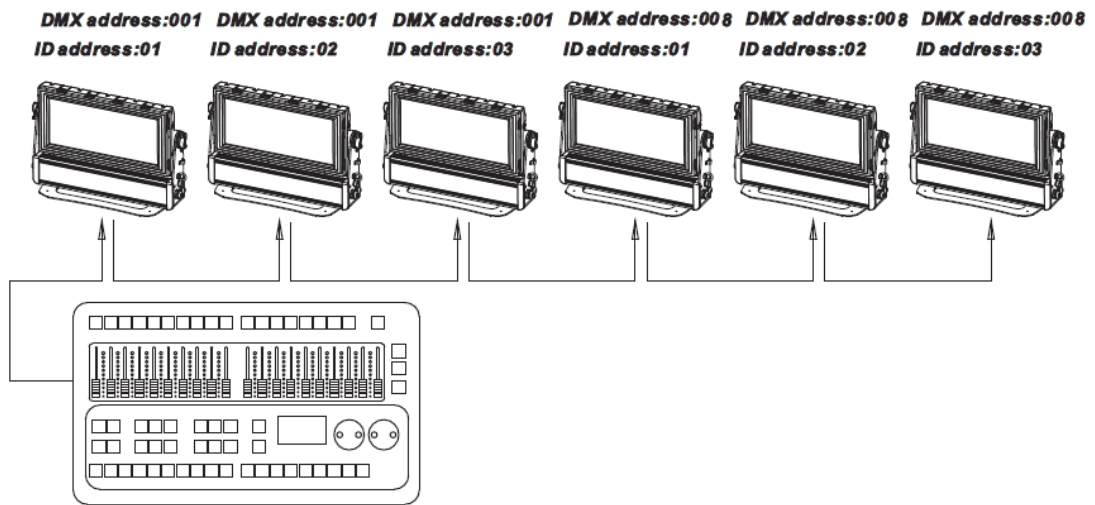
| 3CH | 4CH | 8CH | Value | Description |
|-----|-----|-----|---------|-----------------------|
| | | | | Shutter |
| | | | 000-019 | Shutter closed |
| | | | 020-024 | Shutter open |
| | | | 025-064 | Strobe 1 (fast-slow) |
| | | | 065-069 | Shutter open |
| | | | 070-084 | Strobe 2 (fast-slow) |
| | | | 085-089 | Shutter open |
| | | | 090-104 | Strobe 3 (fast-slow) |
| | | | 105-109 | Shutter open |
| | | | 110-124 | Strobe 4 (fast-slow) |
| | | | 125-129 | Shutter open |
| . | 1. | 1. | 130-144 | Strobe 5 (fast-slow) |
| | | | 145-149 | Shutter open |
| | | | 150-164 | Strobe 6 (fast-slow) |
| | | | 165-169 | Shutter open |
| | | | 170-184 | Strobe 7 (fast-slow) |
| | | | 185-189 | Shutter open |
| | | | 190-204 | Strobe 8 (fast-slow) |
| | | | 205-209 | Shutter open |
| | | | 210-224 | Strobe 9 (fast-slow) |
| | | | 225-229 | Shutter open |
| | | | 230-244 | Strobe 10 (fast-slow) |
| | | | 245-255 | Shutter open |
| | | 2. | 000-255 | Dimmer (0-100%) |
| 1. | 2. | 3. | 000-255 | Red (0-100%) |
| 2. | 3. | 4. | 000-255 | Green (0-100%) |
| 3. | 4. | 5. | 000-255 | Blue (0-100%) |
| 4. | 5. | 6. | 000-255 | White |
| | | 7 | 000-010 | No function |

| | | | |
|--|----|---------|----------------------|
| | | 011-040 | AUTO 1 |
| | | 041-070 | AUTO 2 |
| | | 071-100 | AUTO 3 |
| | | 101-130 | AUTO 4 |
| | | 131-160 | AUTO 5 |
| | | 161-190 | AUTO 6 |
| | | 191-220 | AUTO 7 |
| | | 221-255 | AUTO 8 |
| | 8. | 000-255 | ID address selection |

4.1. Selection of the ID address during DMX

| Wert | Function | Value | Function | Value | Function |
|---------|----------|-------|----------|-------|----------|
| 000-009 | All IDs | 212 | ID23 | 235 | ID46 |
| 010-019 | ID1 | 213 | ID24 | 236 | ID47 |
| 020-029 | ID2 | 214 | ID25 | 237 | ID48 |
| 030-039 | ID3 | 215 | ID26 | 238 | ID49 |
| 040-049 | ID4 | 216 | ID27 | 239 | ID50 |
| 050-059 | ID5 | 217 | ID28 | 240 | ID51 |
| 060-069 | ID6 | 218 | ID29 | 241 | ID52 |
| 070-079 | ID7 | 219 | ID30 | 242 | ID53 |
| 080-089 | ID8 | 220 | ID31 | 243 | ID54 |
| 090-099 | ID9 | 221 | ID32 | 244 | ID55 |
| 100-109 | ID10 | 222 | ID33 | 245 | ID56 |
| 110-119 | ID11 | 223 | ID34 | 246 | ID57 |
| 120-129 | ID12 | 224 | ID35 | 247 | ID58 |
| 130-139 | ID13 | 225 | ID36 | 248 | ID59 |
| 140-149 | ID14 | 226 | ID37 | 249 | ID60 |
| 150-159 | ID15 | 227 | ID38 | 250 | ID61 |
| 160-169 | ID16 | 228 | ID39 | 251 | ID62 |
| 170-179 | ID17 | 229 | ID40 | 252 | ID63 |
| 180-189 | ID18 | 230 | ID41 | 253 | ID64 |
| 190-199 | ID19 | 231 | ID42 | 254 | ID65 |
| 200-209 | ID20 | 232 | ID43 | 255 | ID66 |
| 210 | ID21 | 233 | ID44 | | |
| 211 | ID22 | 234 | ID45 | | |

4.2. Using the ID address



The ID address enables you to control devices with the same DMX address individual. To see in the example above you can control all devices with the same DMX address at the same time if you have set channel 8 of the controller on 000-009. If you set channel 8 on a value between 010-019 you can only control the first device with ID1. The ID address enables you to control more devices individual as possible because of the number of channels of the controller.

Importer:

B&K Braun GmbH
Industriestraße 2
D-76307 Karlsbad-Ittersbach

www.bkbraun.com

info@bkbraun.com

