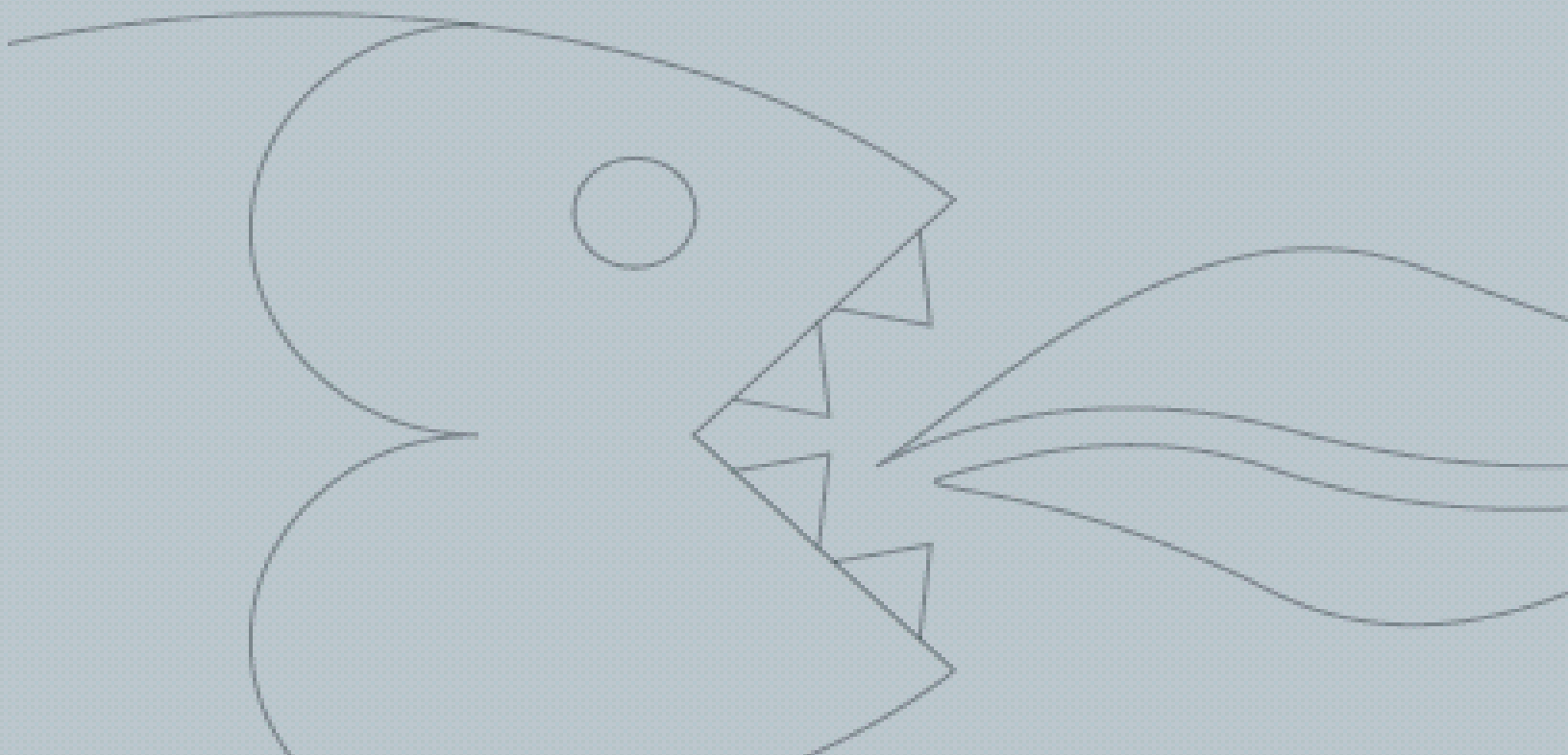


**BV12.2A**  
**Built-in Freezer**

Instruction manual



User Manual for your

# BV12.2A

## BUILT-IN FREEZER



***NOTE: This User Instruction Manual contains important information, including safety & installation points, which will enable you to get the most out of your appliance. Please keep it in a safe place so that it is easily available for future reference.***

# CONTENTS

**YOUR APPLIANCE'S SPECIFICATIONS .....3**

**SAFETY INFORMATION / ENVIRONMENTAL NOTE .... 4**

**USING YOUR FREEZER.....5-19**

**YOUR BV12.2 FREEZER .....5**

**BEFORE USING YOUR FREEZER .....6**

**USING YOUR FREEZER .....7-15**

**CLEANING AND MAINTENANCE.....16-17**

**DEFROSTING .....18**

**TIPS FOR SAVING ENERGY .....19**

**INSTALLING YOUR FREEZER.....20**

**FITTING THE DÉCOR DOOR .....22-23**

**HOW TO REVERSE THE DOOR SWING .....24-25**

***TROUBLESHOOTING .....26***

**CONDITIONS OF GUARANTEE.....27**

**CONTACT DETAILS.....28**

**HT mod 01/03/06**

## Specifications of your BV12.2A Built-under freezer

***Congratulations on purchasing a Baumatic BV12.2A Built-in Freezer!***

### **Your Freezer has:**

- ↻ ***Gross capacity: 103 litres***
- ↻ ***Net capacity: 86 litres***
- ↻ ***Energy efficiency class: A***
- ↻ ***Star rating: \*\*\*\****
- ↻ ***Fast freeze switch***
- ↻ ***Adjustable Thermostat***
- ↻ ***Fast Freeze indicator light***
- ↻ ***Temperature rise warning light***
- ↻ ***4 Freezer drawers***
- ↻ ***Reversible door***

***Dimensions mm (H x W x D)***  
***878-882 x 560 x 560***

To fully enjoy using your appliance long into the future, please firstly familiarise yourself with the specifications, safety advice and operational instructions included in this manual.

### **NOTE:**

When you install your Freezer, it is important to bear in mind its climatic rating.

In order to find out the climatic rating of your appliance, check the data rating tag inside your refrigerator. It indicates the ambient temperature range within which your appliance will function.

## Important Safety Information: Please Read this before installing & using.

### ELECTRICAL SAFETY

CE This appliance complies with Directives 89/368/EEC, 73/23/EEC and following changes.

- **NOTE** - This appliance must be grounded. In the event of a malfunction or breakdown, grounding will reduce the risk of electric shock by providing a path of least resistance of electrical current. You will be able to tell if it is because a non-grounded appliance will give off an electrical discharge. **Manufacturer declines all responsibility for any damage due to non-grounding of appliance.**
  - DURING THE GUARANTEE PERIOD ONLY BAUMATIC SERVICE ENGINEERS OR AN AUTHORISED AGENT OF BAUMATIC SHOULD CARRY OUT REPAIRS ON THIS UNIT.
  - DO NOT USE IF THE SUPPLY CORD IS DAMAGED. NEVER TAKE RISKS WITH FIRE!
- **ENSURE YOU CONNECT THIS APPLIANCE TO A SUPPLY RATED AT 220-240V (or 200-230V) and 50HZ.**
- **NOTE: the supporting structure is constructed in panels of treated sheet steel, electrostatically enamelled to resist ill-treatment and to give long-lasting beauty and shine.**

**X** Do not attempt to alter the specifications of this appliance. Doing so could damage the machine, cause injury & invalidate your warranty. **DO NOT USE ADAPTERS/SHUNTS.**

**X** Do not allow children to play with, near or inside this appliance.

**X** Do not pull on the power supply cable to free the plug from the wall!

**X** Do not attempt to use your appliance outdoors or any place where it is likely to come into contact with the elements.

**X** Do not pull out or insert the plug with wet hands.

**X** Before any cleaning or maintenance work, ensure that the appliance has been disconnected from the power supply.

**X** Never allow the back coils of the Appliance to come into contact with any wall surface. **ALWAYS ENSURE THAT THE SPACE INTO WHICH YOU ARE PLACING YOUR APPLIANCE IS FREE OF STORED ITEMS SUCH AS PAPERS OR OTHER FLAMMABLE MATERIALS.**

**X** NEVER block the VENTILATION OPENINGS OF THE APPLIANCE EITHER INSIDE OR ON ITS EXTERIOR. IT IS VITAL TO KEEP YOUR APPLIANCE WELL VENTILATED SO THAT THERE IS PROPER AIR FLOW BETWEEN THE BOTTOM OF THE UNIT AND THE PLINTH / KICK PLATE ON WHICH IT IS SITTING.


**X** WARNING – DO NOT DAMAGE THE REFRIGERANT CIRCUIT. AT THE END OF THE FUNCTIONAL LIFE OF THE EQUIPMENT (WHICH USES COOLING GAS R600a [ISOBUTANE]) AND INFLAMMABLE GAS INSIDE THE INSULATING FOAM, IT MUST BE PLACED IN SAFETY BEFORE SENDING IT FOR PROPER WASTE DISPOSAL.

**PLEASE OBSERVE ALL INSTALLATION ADVICE IN THIS MANUAL FOR SAFE USAGE OF YOUR APPLIANCE.**

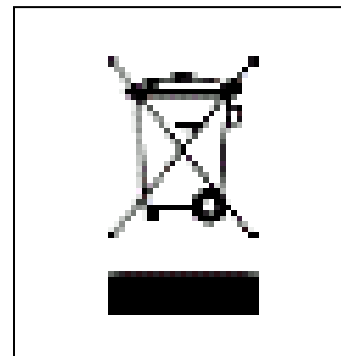
**Note: Before discarding an old refrigerator/freezer, switch off and disconnect it from the power supply. Cut off and render any plug useless. Ensure that the door cannot jam (removing it is best), regardless of whether or not it can be pushed open from inside. AN OLD FRIDGE/FREEZER CAN BE A DEADLY PLAYTHING FOR CHILDREN!**

### CONFORMITY TO W.E.E.E. DIRECTIVE

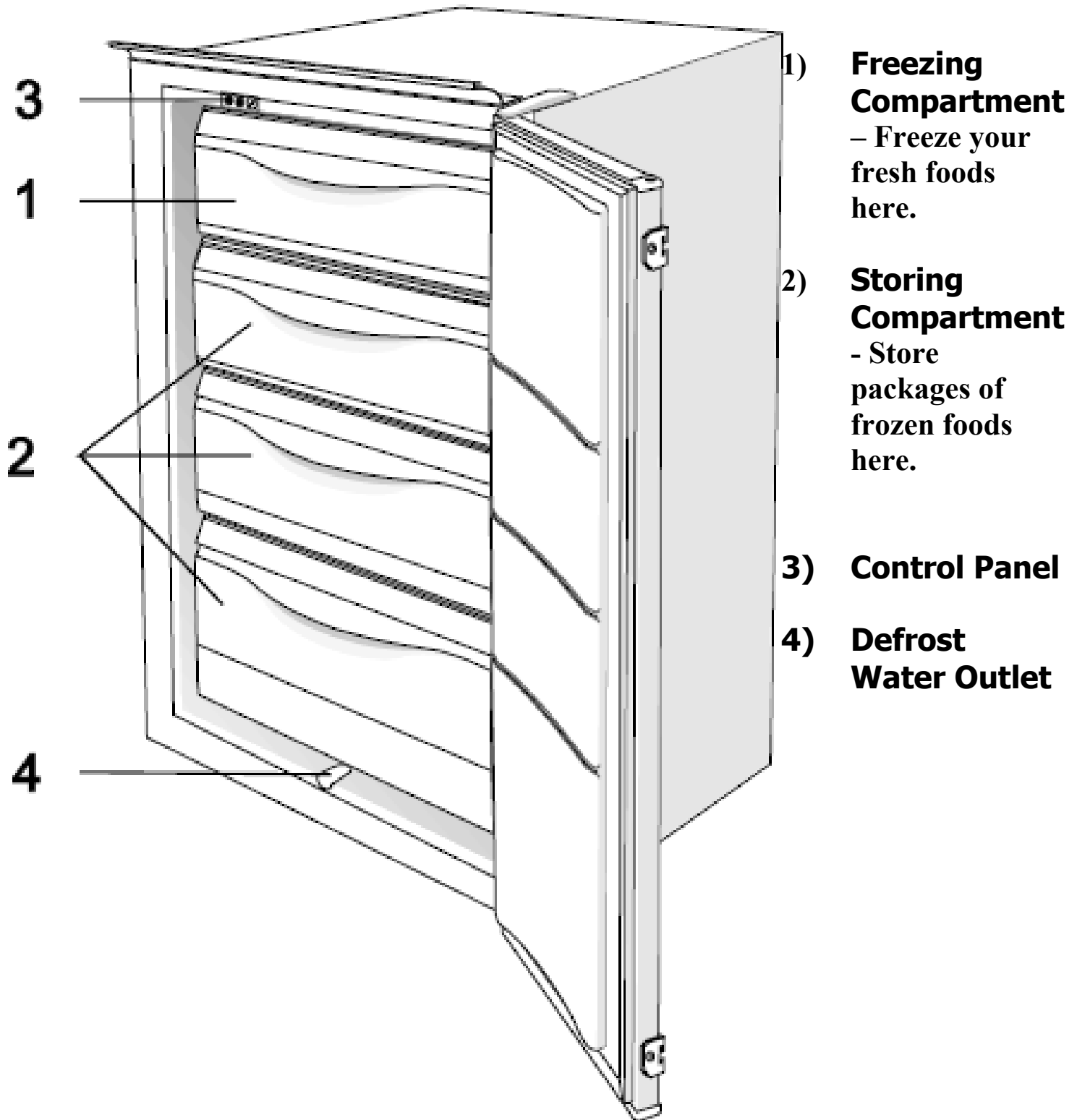
This appliance is marked according to the European directive 2002/96/EC on Waste electrical and Electronic Equipment (WEEE). By ensuring this product is disposed of correctly, you will help prevent potential negative consequences for the environment and human health, which could otherwise be caused by inappropriate waste handling of this product.

The symbol  on the product, or on the documents accompanying the product, indicates that this appliance may not be treated as household waste. Instead it shall be handed over to the applicable collection point for the recycling of electrical and electronic equipment.

Disposal must be carried out in accordance with local environmental regulations for waste disposal. For more detailed information about treatment, recovery and recycling of this product, please contact your local city office, your household waste disposal service or the shop where you purchased the product.



# Your BV12.2A Built-in Freezer:



**NOTE: BEFORE Using your BV12.2A FREEZER:**

## **UPON DELIVERY:**

When your Freezer has been delivered, you will need to wait approximately 3 hours before turning it on. The fluid of the compressor installed in the appliance will need time to settle. **PLEASE DO NOT PLUG IN ANY EARLIER THAN THIS!**

.....  
**NOTE:**

THERE CAN BE AN ODOUR WHEN YOU FIRST SWITCH ON THE APPLIANCE. IT WILL VANISH WHEN THE UNIT STARTS COOLING.

*We recommend that you have the Freezer delivered near to where you plan to install it so that this fluid can settle.*

## **SITUATING YOUR FREEZER**

**CAUTION: DO NOT PLACE THE APPLIANCE NEAR HEAT SOURCES AND FOLLOW THE INSTALLATION ADVICE SHOWN ON PAGE 20.**

***FOR FULL INSTALLATION ADVICE, PLEASE SEE PAGE 20***

**MAKE A NOTE OF THE LOCATION FOR YOUR NEW FREEZER. MAKE SURE THAT IT WILL FIT PROPERLY SO THAT:**

- 1) The doors can open freely and completely.**
- 2) You can access your food conveniently.**
- 3) There is sufficient space at the back for the cooling coils to give off heat safely & that they do not touch the plug (see SAFETY SECTION).**

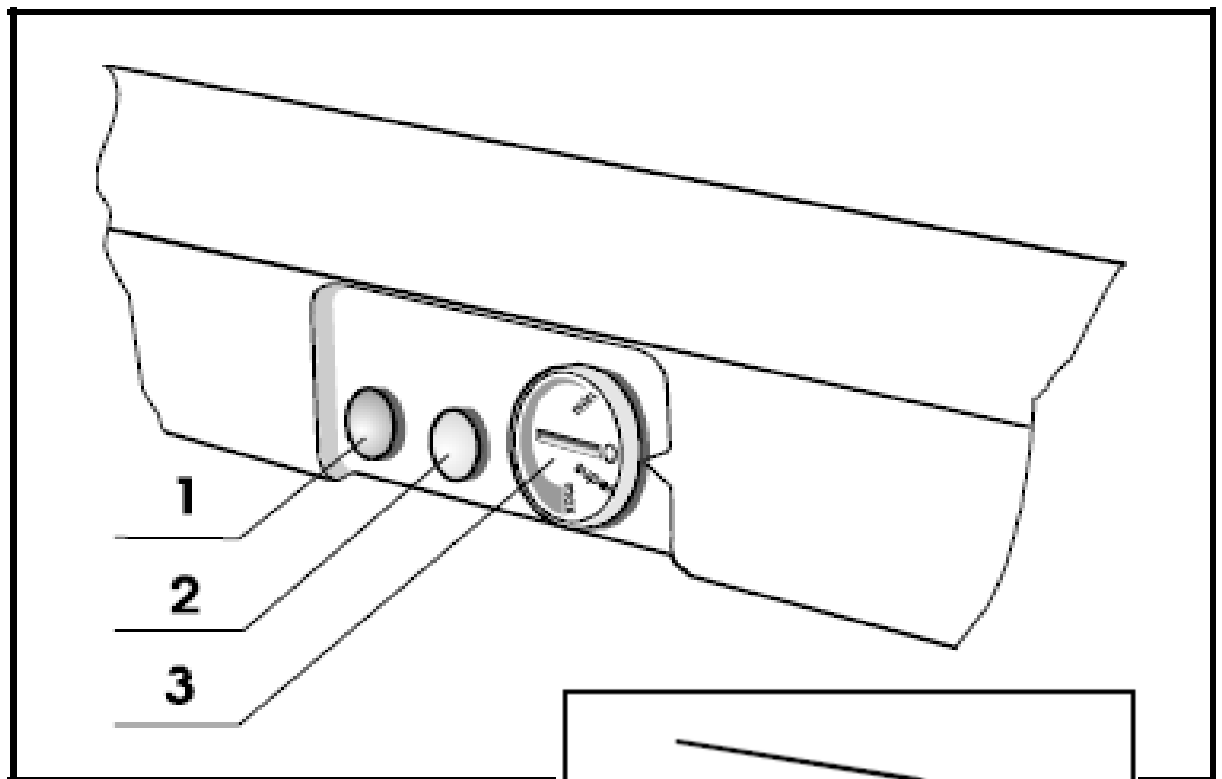
*NOTE: You can reverse the swing of the door to customise the unit to your location. Please see page 23-24 for details.*

## USING your Baumatic BV12.2A Freezer

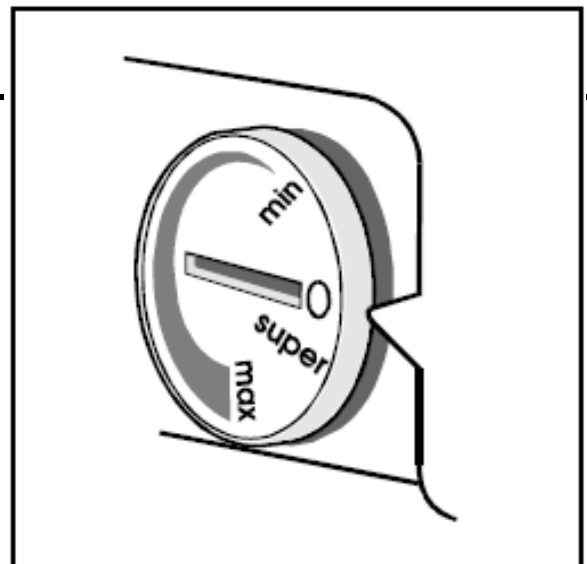
**YOU SWITCH ON YOUR APPLIANCE** by **PLUGGING IT IN & SETTING THE THERMOSTAT DIAL.** This can be found on the control panel at the top left of the front of the interior of the appliance. **NOTE:** You adjust settings by turning a coin in the dial's groove.

### ***THE CONTROL PANEL***

*The freezer is controlled with switches and the thermostat button. It is shown below:*



- 1** Red control light
- 2** Yellow control light
- 3** Thermostat knob





## **USING your Baumatic BV12.2A Freezer**

**i) CONTINUOUS OPERATION - the yellow light is on.**

To make your freezer operate in the continuous operation mode, you need to **TURN THE DIAL ON THE CONTROL PANEL TO 'SUPER' using a coin.**

In continuous operation, the cooling system will work constantly to chill your appliance. Select this mode when you want to freeze large amounts of fresh foods and in case you want to deep freeze foods that are already frozen.

**ii) AUTOMATIC OPERATION - the yellow light is off.**  
The interior temperature is controlled by the thermostat which turns the cooling system on and off. Your freezer will operate on 'Automatic Operation' as long as the dial on the control panel is set between 'min' and 'max' and NOT 'SUPER'.

**NOTE: How often the appliance switches its cooling system on and off depends on:**

- The thermostat knob position (thermostat position)
- How often you open the door.
- Ambient temperature.

### **THE RED SIGNAL LAMP**

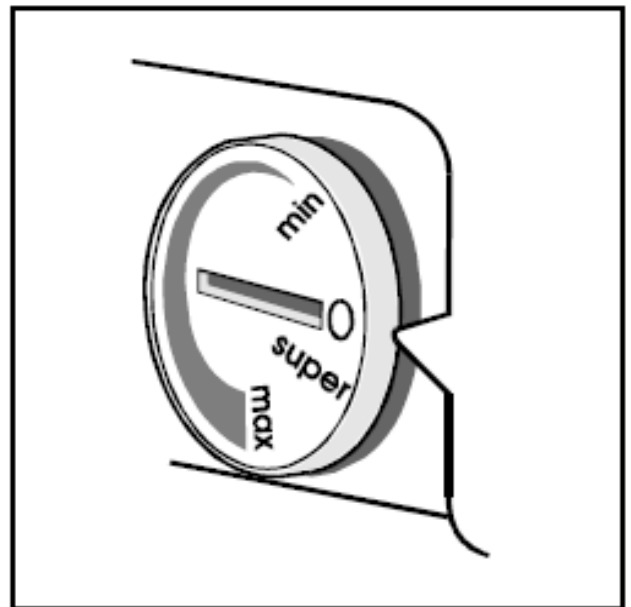
.....

- **The red light comes on only when there is something wrong with your freezer. See the Troubleshooting section for details on how to deal with red light emergencies.**
- **Essentially, this is an LED alarm that activates because the temperature inside the freezer has risen errantly beyond the scope of the setting you had selected (red signal lamp will be on).**

### TEMPERATURE SELECTION

***You control the freezer's interior temperature automatically by setting the thermostat. This can be found on the control panel at the bottom of the freezer.***

- ***The most suitable position is in the middle between max. & min.***
- ***We recommend setting the thermostat on a position approaching maximum only to accelerate cooling (e.g., before loading smaller amounts of fresh foods or when the operation mode has risen to the ambient temperature; for example, the first time you use your appliance).***
- ***Thermostat settings towards minimum help you save energy, provided that the freezer is loaded with a smaller amount of frozen foods.***
- ***'Super' is a fast freeze function only and should not be used as a long-term setting.***
- ***Changes in the ambient temperature will affect the temperature in the interior of the appliance.***
- ***Choose the correct setting using the thermostat dial (pictured below).***



## USING YOUR FREEZER

### STARTING YOUR FREEZER FOR THE FIRST TIME (\* after it has been installed)

- Switch the freezer on.
- On the control panel, switch to the continuous operation position. All three signal lamps will light up. Place fresh food into the freezer several hours after the red signal lamp has gone off.

---

### PROPER FREEZING PROCEDURE

- 24 hours before you place fresh food in the freezer, move the thermostat dial to 'super' (the continuous operation mode - see page 7). The yellow lamp will come on. At the end of this period, load fresh food into the freezing compartment (the topmost compartment of the freezer).

- After 24 hours, move the frozen food to the storage compartment of the freezer and repeat the freezing procedure with a new load, if required.

- **REMINDER** - fresh food should not touch those packages that are already frozen.

## USING YOUR FREEZER

- *Approximately 24 hours after the last loading of fresh food into your freezer, turn the dial down from the 'super' setting. This will deactivate the continued operation mode so that the freezer switches to its automatic operation (yellow light turns off).*

- *If you want to freeze small quantities of fresh food (1-2kg), you DON'T have to switch the appliance to 'super' - the continuous operation mode.*

- *The storage time and recommended temperature for storing commercially frozen foods is indicated on the packaging. For storing and use, consider the manufacturer's instructions.*

*When shopping, be careful to choose only packages of foods which are adequately packed and provided with complete data. They should be stored in freezers where the temperature is not higher than -18°C.*

- *Do not buy packages of food encased in frost or ice. This indicates that the package has thawed at least once previously.*
- *Take care that packages don't start to thaw. Temperature rise shortens the storage time of commercially frozen foods.*

## **POINTS TO BEAR IN MIND WHEN USING YOUR FREEZER**

- *Do NOT touch the cooled surfaces while your freezer is operating, especially not with wet hands or mouth. Skin might stick to the cold surfaces and become damaged.*

- *Do not freeze bottled drinks, especially not fizzy ones such as mineral water, sparkling wine, beer, cola, etc., because liquid expands during freezing and may make the container it is in explode.*

- *With the exception of ice cream, never try to eat frozen food. You may get frostbite or damage your teeth and mouth.*
- *Carefully check the food for colour or smell. If you are in doubt about the quality of the food stored, throw it away because it may be spoiled and therefore dangerous to eat.*

- *Disconnect the appliance from the mains before repairing (only a qualified technician should repair it) and before cleaning / maintenance.*

- *Only use the tools enclosed with your appliance or those tools that have been recommended for use in this manual.*

- *The rating plate is in the interior or on the rear wall of the appliance.*
- *Storing time During Power Supply Interruption - Avoid opening the freezer in case of a blackout that lasts shorter than 15 hours.*

# ARRANGING AND STORING FOOD IN YOUR FREEZER

*The chart below shows the range within which you will be able to store food in your freezer.*

Food	Storage time (in months)											
	1	2	3	4	5	6	7	8	9	10	11	12
Vegetable								+	+	+		
Fruit										+	+	+
Bread, Pastries			+									
Milk			+									
Ready-made meals			+									
Meat: Beef										+	+	+
Veal								+	+	+		
Pork				+	+	+						
Poultry								+	+	+		
Game						+	+	+				
Minced meat				+								
Smoked sausages	+											
Fish: lean			+									
fat	+											
Offal		+										

- *To reduce humidity and possible frost, NEVER place liquids in unsealed containers in the freezer.*
- *Make sure that you arrange food in such a way that the door can close completely.*
- *NOTE - Sometimes your freezer door may seem 'stuck' if you try to open it again right after closing it. This normal phenomenon is due to pressure shifts within the appliance and should clear in a few minutes. Please give it this time before re-opening.*

## USING YOUR FREEZER

- ***NEVER*** place warm food inside the freezer. Warm food must be allowed to cool to room temperature first.

- ***Unpleasant odours within may mean your freezer needs to be cleaned or that food has spoiled and needs to be discarded.***

- ***Pack food in freezer storage bags, noting the type of food, quantity, date prepared and inserted into the freezer. Write this information on the bags.***

- ***Always be mindful of the storage life of foods you are going to be freezing for a long time. Although the temperature of the freezer can dip to a very low level, this does not mean that food can be stored indefinitely. Pay particular attention to the information printed on the packaging of the foods you are going to be placing in your freezer.***

- ***Always store food with a view to how often it will be used. Food consumed daily should be placed in a more accessible place than food stored long-term so that you don't end up leaving the door open for extended periods while searching for food.***
- ***Do not store excessive quantities or weights of food. Always try to leave gaps between your packages for better storage results.***
- ***Do NOT place food too closely to the interior walls. Items placed too closely to walls may freeze to them!***
- ***Do not load tepid packages alongside frozen ones in your freezer. The freshly introduced food may cause a slight and potentially detrimental thaw in the frozen article/s.***

## USING YOUR FREEZER

- *Use correct packaging and wrap items correctly.*
- *The packaging should be airtight and shouldn't leak since this could cause substantial vitamin loss and dehydration from your food.*
- *Foil and bags should be applied carefully to articles of food so that they can be stored systematically & comfortably within the freezer.*
- *It is very important that the food is frozen as soon as possible. We recommend that the size of the package not be too large. It should also have been sufficiently cooled (at least to room temperature) before being loaded in your freezer.*
- *The amount of fresh foods that can be loaded within 24 hours is indicated on the rating plate (freezing capacity).*
- *Food cut into small portions will be easier to defrost and cook. The recommended weight for each portion is 2.5kg.*
- *The outside of food packaging should be dry before being placed in the freezer. All packages should be odour-free and non-toxic.*

### A NOTE ON DEFROSTING

- *Partially thawed or defrosted foods should be consumed as soon as possible. Cold air preserves the food but it does not destroy micro-organisms which rapidly activate themselves after defrosting to make foods perishable. Partial defrosting reduces the nutritional value of foods, especially of fruits, vegetables and ready-made meals.*
- *Generally, you should NOT refreeze defrosted items.*



## CLEANING / MAINTENANCE

**LONG ABSENCES:** In the case of long absences (extended holidays, sabbaticals, etc.), the appliance must be switched off, emptied out completely, dried and the doors left slightly open to prevent the formation of mould and unpleasant odours.

NOTE: Before attempting to clean your appliance, UNPLUG IT and make sure you do the following:

- ✓ Pay particular attention to the sealing rubber bars of the doors. This is known as the seal. These need to be kept clean for hygienic reasons as well as to allow the door to close properly.
- ✓ Leave the door open during cleaning.
- ✓ In order to collect the defrosted water, take out the bottom drawer and soak up the water using a sponge as shown in the figure pictured below.
- ✓ Clean the inside of your Freezer after using a solution of soda bicarbonate in warm water (1 tablespoon Bicarbonate to 2 litres of water) or warm water and some vinegar.
- ✓ Clean the exterior surfaces of the freezer with water and liquid detergent. NOTE: Varnished surfaces can be cleaned with a soft cloth and an alcohol-based cleaning agent (for example, glass cleaners). You may use alcohol (ethanol or isopropyl alcohol). The application of abrasive and especially aggressive cleaners, such as stainless steel cleaners is not appropriate for cleaning plastic and coated parts.
- ✓ Clean the condenser (back of unit) with a broom once a year.

**NEVER USE SOLVENTS TO CLEAN YOUR FREEZER.**

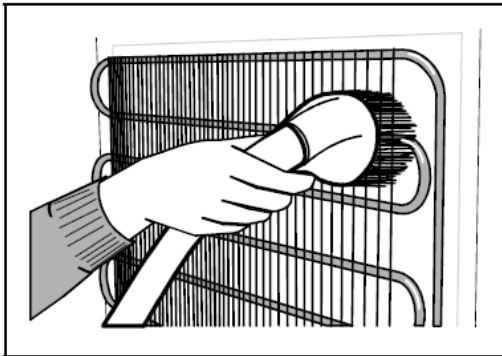
## CLEANING / MAINTENANCE

**HOW TO CLEAN THE CONDENSER – the condenser consists of a coil structure at the back of your freezer.**

***To clean it, carefully follow the following instructions:***

*To optimize the operation of the appliance and to save energy you should periodically clean the dust from the condenser at the back of the appliance.*

**CAUTION: You will need to move your freezer forward from its cabinet housing to gain access to the condenser at the rear of your appliance.**



After you have cleaned the appliance, reconnect it to the mains supply and put the food packages back to their place.

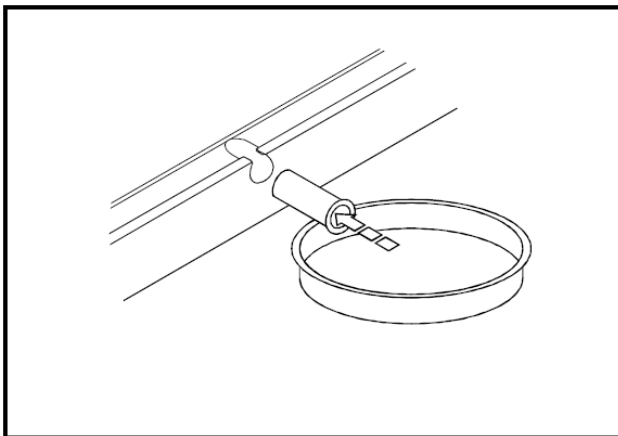
- 1) **Carefully move the freezer forward from its cabinet housing until the condenser coil structure at the rear of the appliance is visible.**
- 2) **Use a soft non-metal brush, broom or vacuum cleaner to clear dust away from the condenser.**
- 3) **Replace the freezer properly in its cabinet housing when finished and make sure that the décor door has been properly reattached.**

**REMINDER: Disconnect the freezer from the mains before you clean the condenser!**

# **DEFROSTING**

**When the frost and ice layer on the inside of the appliance has grown to 3-5 mm, you should defrost your freezer.**

**24 hours prior to defrosting, turn the thermostat dial to 'Super'. This will activate the continuous operation mode and will provide an extra low temperature for food inside the freezer. After this period, take the food out & protect it from melting (eg. moving it to another freezer &/or wrapping it in thermal insulating material that is safe for foods).**



**Disconnect the freezer from the mains power supply.**

**Insert the enclosed pipe into the groove at the bottom of the appliance and place a vessel underneath to collect defrosted water (see figure at left).**

## **CAUTION!**

- Avoid using defrosting sprays – these may damage the plastic parts in the fridge and could be hazardous to health.**

- **Water collected at the bottom of the interior of the freezer should be mopped with a sponge or a highly absorbent cloth.**

## **TIPS FOR ENERGY SAVINGS**

- ✓ **Ensure that your freezer has adequate ventilation. See the cleaning and installation sections for the recommended openings you should observe.**
- ✓ **Turn the thermostat from higher down to lower as soon as possible, depending on how full the freezer is and the ambient temperature.**
- ✓ **Never use the continuous operation feature unnecessarily. Unless you intend to 'fast freeze' something, keep the dial off 'super'.**
- ✓ **Try not to open the door too often, especially when the weather is wet and hot. Once you open the door, be sure to close it as soon as possible.**
- ✓ **Use higher thermostat settings only if essential and not for constant, long-term use.**
- ✓ **Do not leave the appliance on Fast freeze indefinitely or for periods in excess of that recommended in this manual.**
- ✓ **Before loading the appliance with packages of fresh foods, ensure they are first cooled to the ambient temperature.**
- ✓ **If the door seal (gasket) is damaged, the energy consumption will be much higher. To keep the sealing in good condition, be sure not to spill oils or fats on it. A damaged seal will need to be replaced. A crushed seal can be 'fluffed' out using hot air from a hair dryer held at a safe distance.**

- ✓ **The condenser at the bottom of the appliance must always be clean and free of dust.**

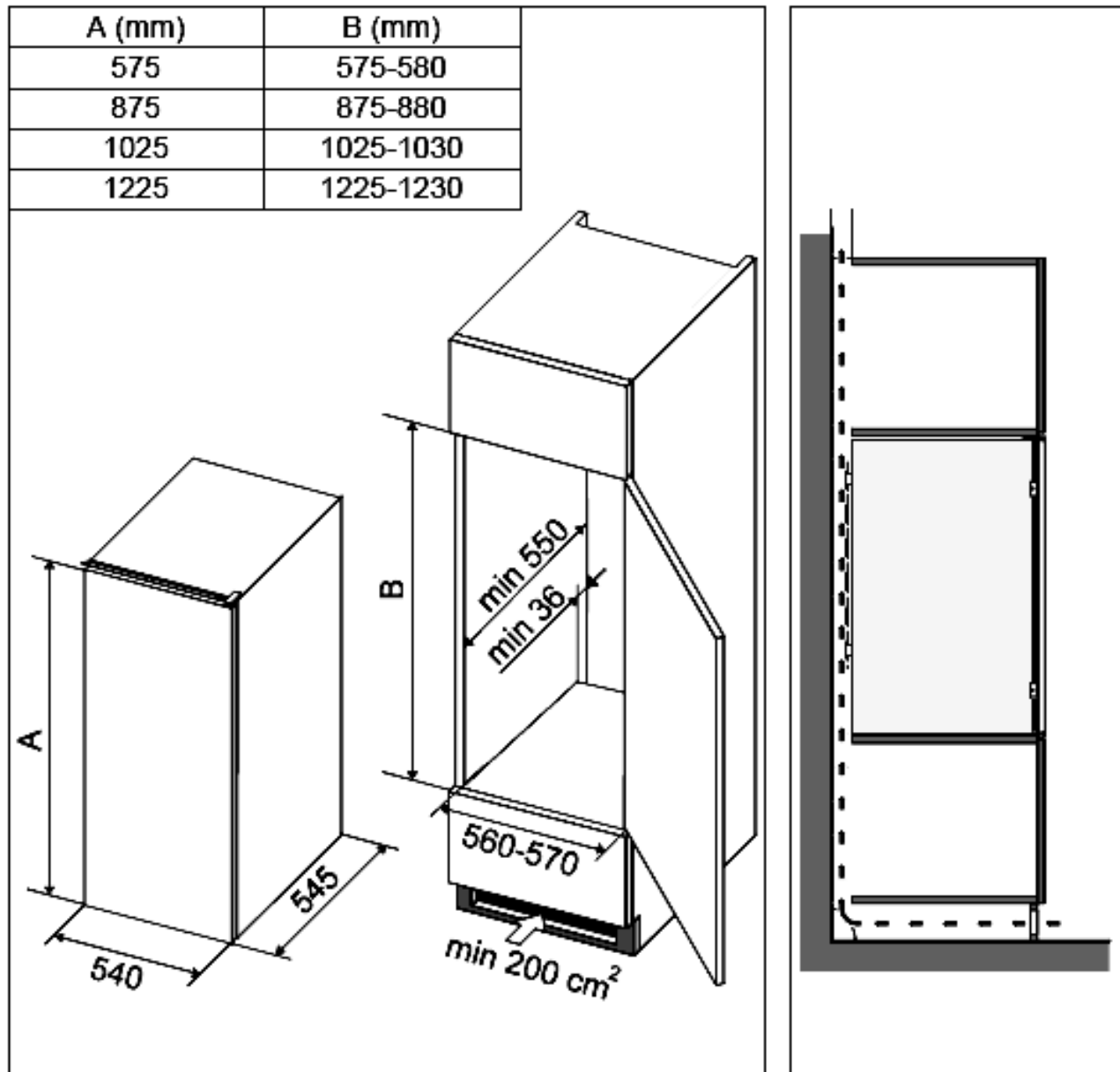


## INSTALLING YOUR BV12.2A FREEZER

# Mounting Dimensions and Required Air Circulation

The rear wall of the appliance is getting warm during the operation of the appliance (and water is evaporating from the drain pan on the compressor). You must therefore provide for adequate air circulation on the rear of the appliance.

- At the base of the kitchen unit intended for building in the integrated appliance, there should be at least 200 cm<sup>2</sup> free space, for adequate air circulation.
- On the upper part of the appliance the air is coming out, so try not to cover the opening for the outflow air.



## **INSTALLING YOUR APPLIANCE- CONTINUED**

### **Fitting Bar**

Install the Fitting Bar (shown in the picture below), so that it attaches to the top of the appliance and underneath the top of the cabinetry, indicated by the arrow:



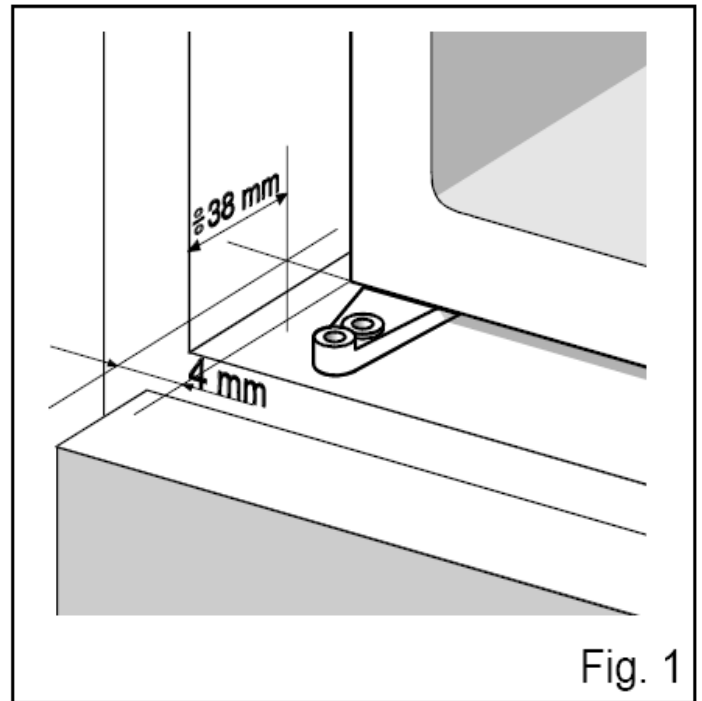
\*Please be aware that the Fitting Bar is not attached to the appliance and needs to be secured during installation.

## INSTALLING YOUR BR12.2A FREEZER

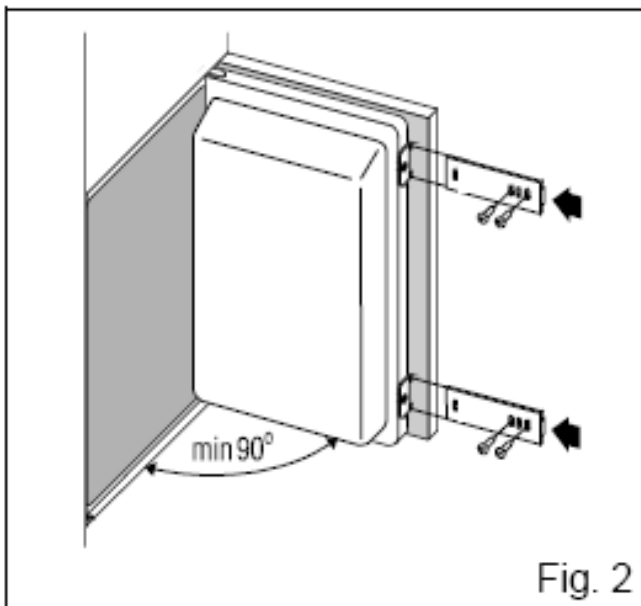
1) Ensure that you are going to be placing your fridge away from heat sources and that it is in a well-ventilated position. This should be at least 3 cm

away from electric stoves and 30 cm from oil or coal stoves. Do not place the appliance in the path of direct sunlight.

2) After removing the rear wall of the cabinet, push the appliance into the kitchen unit's space and allow at least 4mm free space on both sides between the appliance and the side walls of the kitchen unit (Fig.1, at right). Allow 38mm space between back of the fridge and the wall.



### Fitting the Décor Door



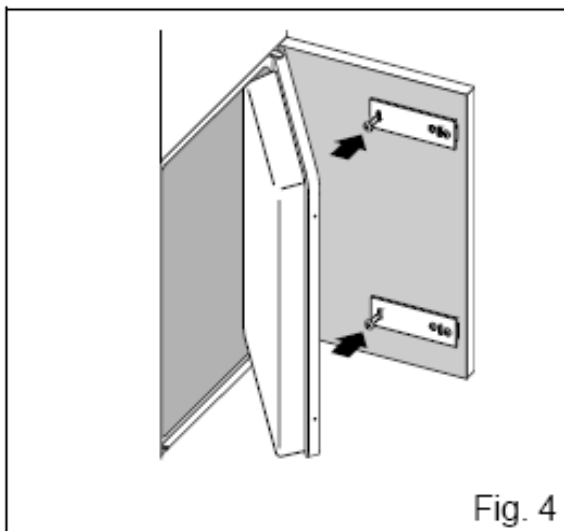
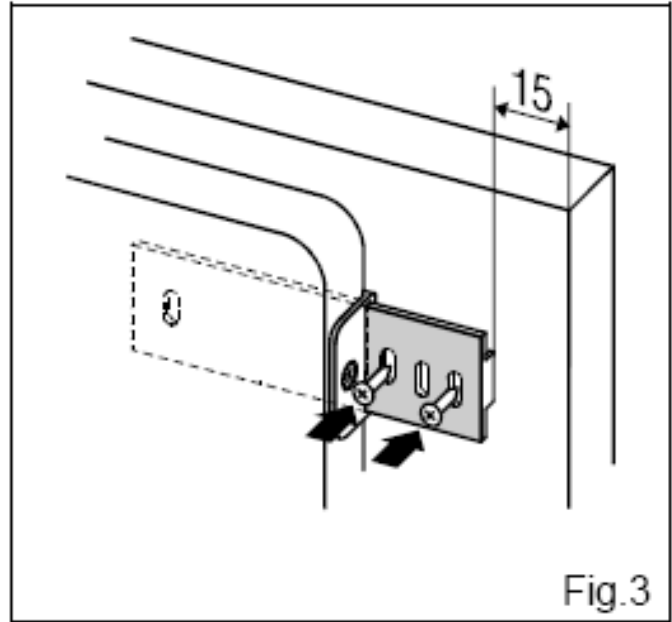
- 1) Fix the slide guides (attached in a plastic bag along with the screws ST 4.2 X 9.5) to the edge of the door. Cover the open holes with the attached cap.
- 2) Connect the freezer door to the door of the kitchen unit. See Figure 2, at left.



## Installing the Décor Door to your Freezer

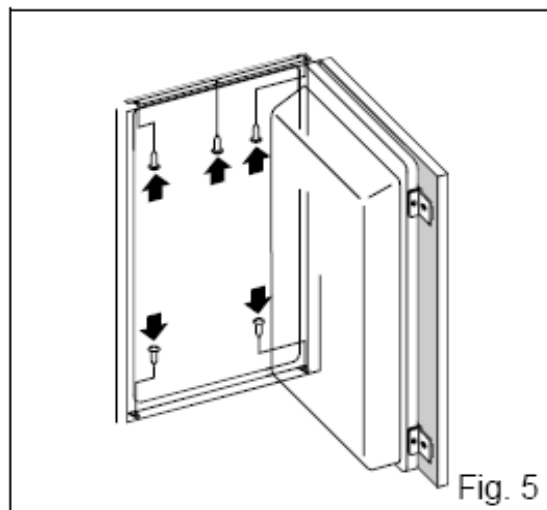
3) Insert the slides into the guides and fix them on the kitchen unit door some 15mm from the edge, using the A 4 X 12 screws (Fig. 3, at right).

Remove the slide guides & separate the appliance door from the door of the kitchen unit.

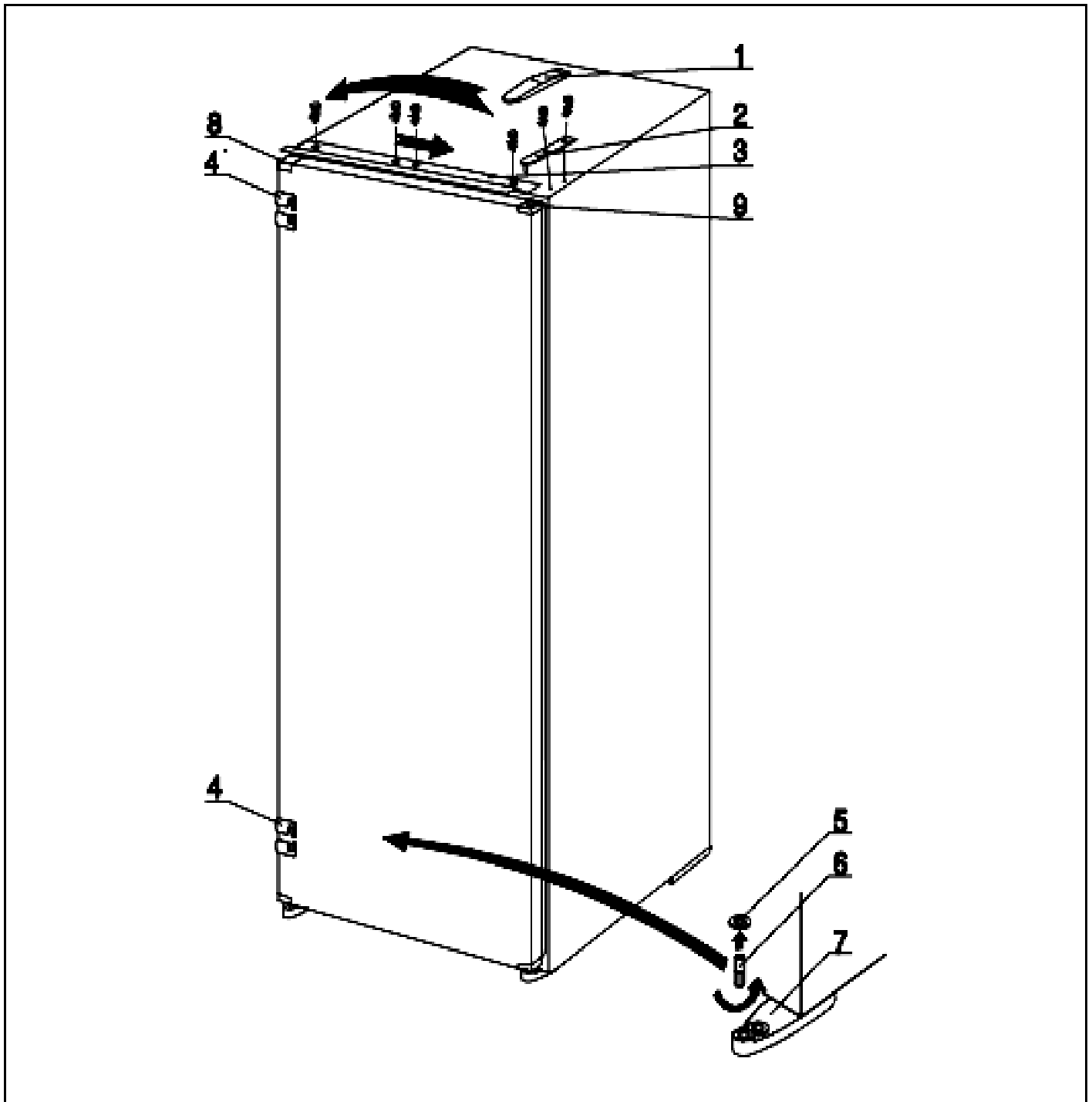


Fix the slides and be careful not to move them while fixing. (See Fig. 4, at left). Fix the slide guides to the original position.

Close the door and check the gasket (it should not be creased). The door should open and close smoothly.



# Reversing the swing of the Door



1 Cover for the upper hinge

2 Upper hinge

3 Upper rail

4 Slide guide

5 Lower hinge washer

6 Lower hinge fastener

7 Lower hinge

8 Corner without a hole

9 Corner with a hole

## **Changing the direction of the Door –**

If you want to reverse the swing of your freezer's door, you can change it. Holes on the opposite side have already been prepared in the factory and will be plugged on your appliance.

- Remove the cover of the upper hinge. Unscrew the hinge and take off the door (NOTE: the door is not fixed to the lower hinge).
- Unscrew the upper rail. Replace it to the opposite side of the appliance and fix it.
- Remove the washer from the lower hinge and unscrew the fastener on the lower hinge by rotating it clockwise.
- Replace the fastener and the washer in reverse order into the opening of the lower hinge on the opposite side of the appliance.
- Take off all door hinges and interchange them (instead of the corner with a hole, insert the one without the hole and vice versa).
- Put the door of the appliance on the lower hinge.
- Fix the upper hinge and cover it.
- Replace the slide guides to the opposite side of the door.
- Plug the remaining holes with decorate caps.
- Check the gasket. It shouldn't be creased and it should seal well.
- Should the deal not perfectly adhere to the casing of the appliance, it could be crushed. You will need to be fluff it back up by using a hair dryer. Blow hot air over it at a sensible distance and stretch the seal lightly until it is at the required height.

## Troubleshooting

*Trace a problem using the table below instead of having to call for help.*

<b>PROBLEM</b>	<b>WHAT TO DO</b>
<b>YOUR FREEZER DOES NOT APPEAR TO BE WORKING / NO APPARENT POWER</b>	<b>CHECK THAT THE PLUG IS WELL-INSERTED INTO THE POWER SOCKET</b>
	<b>CHECK THAT THERE IS POWER FROM THE MAINS – THERE MAY BE A BLACKOUT OR YOUR FUSES MAY HAVE BLOWN.</b>
	<b>CHECK THAT THE ELECTRONIC THERMOSTAT (REGULATOR FOUND ON THE INSIDE WALL OF THE FRIDGE-FREEZER NEAR THE TOP) IS IN THE RECOMMENDED FUNCTIONING POSITION AND NOT '0' (OFF).</b>
	<b>CHECK THAT THE SOCKET IS SUFFICIENT AND NO ADAPTER OR EXTENSION LEADS HAVE BEEN USED.</b>
	<b>CHECK THAT THE POWER SUPPLY VOLTAGE CORRESPONDS TO THE APPLIANCE.</b>
<b>THE RED LIGHT IS ON</b>	<b>THE DOOR WAS OPENED FREQUENTLY OR ITS DOOR WAS LEFT OPEN FOR TOO LONG.</b>
	<b>THE DOOR IS NOT CLOSED PROPERLY (THE DOOR MAY BE SAGGING, OR THE GASKET SEAL MAY BE PITTED, GRITTED OR DAMAGED.</b>
	<b>THE POWER SUPPLY HAS BEEN INTERRUPTED FOR A LONGER PERIOD OF TIME.</b>
	<b>YOU MAY HAVE OVERLOADED THE APPLIANCE WITH FRESH FOODS.</b>
<b>THE COOLING SYSTEM IS CONTINUOUSLY OPERATING</b>	<p><b>SET THE THERMOSTAT</b></p> <p><b>THE COMPRESSOR IS NOT RUNNING. THIS IS NORMAL. IF THESE SOUNDS CHANGE, ENSURE: YOUR UNIT IS WELL LEVELLED / NOTHING IS TOUCHING THE REAR OF THE UNIT / NO MATERIAL ON THE APPLIANCE IS VIBRATING.</b></p> <p><b>NOTE: A SOUND LIKE FLOWING WATER IS PERFECTLY NATURAL AS IT INDICATES THAT THE REFRIGERANT IS FLOWING. THIS IS NOT A MALFUNCTION.</b></p>

## **BAUMATIC LTD. -CONDITIONS OF GUARANTEE.**

Dear Customer,

The conditions of guarantee which apply to your Baumatic appliance are as follows: This product is guaranteed for 12 months from the date of original purchase.

Baumatic Ltd will repair any defect that arises due to faulty materials or workmanship free of charge during this period.

\*In addition, your appliance is covered by a 5 year parts warranty. Baumatic Ltd will provide free of charge the parts required to repair the appliance, only if they are fitted by a Baumatic engineer, for any defect that arises due to faulty materials or workmanship within a period of 5 years from the original purchase date.

\*An additional and annually renewable insurance scheme for labour is available should you wish to extend the warranty period.

Should any person other than an authorised representative of Baumatic Ltd interfere with the appliance, the policy is negated and Baumatic Ltd will be under no further liability.

The guarantee covers the appliance for normal domestic use only, unless otherwise stated.

Any claims made under the terms of the guarantee must be supported by the original invoice/bill of sale issued at the time of purchase.

This guarantee is transferable only with the written consent of Baumatic Ltd.

If the appliance fails and is considered either not repairable or uneconomical to repair between twelve months and five years from purchase date, a free of charge replacement will not be offered.

The guarantee for any replacement will only be for the remainder of the guarantee on the original product purchased.

This guarantee does not cover:

x Sinks and taps

X Failure to comply with the manufacturer's instructions for use.

X The replacement of cosmetic components or accessories.

X Accidental damage or wilful abuse.

X Subsequent loss or damage owing to the failure of the appliance or electrical supply.

X Incorrect installation.

X Losses caused by Acts of God, civil war, failure to obtain spare parts, strikes or lockouts.

X Filters, fuses, light bulbs, external hoses, damage to bodywork, paintwork, plastic items, covers, baskets, trays, shelves, burner bases, burner caps, decals, corrosion, rubber seals..

In the course of the work carried out it may be necessary to remove the appliance from its operating position. Whilst all reasonable care will be taken, Baumatic Ltd cannot accept responsibility for damage sustained to any property whatsoever in this process.

This guarantee is in addition to and does not diminish your statutory or legal rights.

Contacting Baumatic.

SALES

TEL: 0118 933 6900

FAX: 0118 931 0035

SERVICE

TEL: 0118 933 6911

FAX: 0118 986 9124

SPARES

TEL: 0118 933 6922

FAX: 0118 933 6942

TECHNICAL / ADVICE

TEL: 0118 9336933

FAX: 0118 9336942

For mainland UK and Northern Ireland, please contact one of the above numbers for further information or any other query you may have.

For ROI (Republic of Ireland), please contact one the numbers below:

TEL: 01 - 6266798 FAX: 01 - 6266634

Thank you for buying Baumatic.

\*Applies to UK, Scotland, Wales & Northern Ireland only. (Republic of Ireland has 1 year labour and 1 year parts warranty only) .

# Baumatic Ltd

*Make-up for your kitchen*

## **Headquarters**

Baumatic Ltd.  
Baumatic Buildings,  
6 Bennet Road,  
Reading,  
Berkshire  
RG2 0QX, United Kingdom

Sales Telephone  
+44 118 933 6900

Sales Fax  
+44 118 931 0035

Service Telephone  
+44 118 933 6911

Service Fax  
+44 118 986 9124

Spares Telephone  
+44 118 933 6922

Technical / Advice Telephone  
+44 118 933 6933

## **E-mail:**

[sales@baumatic.co.uk](mailto:sales@baumatic.co.uk)

[technical@baumatic.co.uk](mailto:technical@baumatic.co.uk)

Http (Internet site):  
[www.baumatic.com](http://www.baumatic.com)



**Baumatic®**

[www.baumatic.com](http://www.baumatic.com)