

GRILL MICROWAVE OVEN

KMG 2411



USER'S MANUAL

Read these instructions carefully before using your microwaveoven, and keep it carefully. If you follow the instructions, your oven will provide you with many years of good service.

CONTENTS

| | |
|---|----|
| PRECAUTIONS TO AVOID POSSIBLE EXPOSURE TO EXCESSIVE MICROWAVE ENERGY..... | 3 |
| SPECIFICATIONS..... | 3 |
| IMPORTANT SAFETY INSTRUCTIONS..... | 4 |
| TO REDUCE THE RISK OF INJURY TO PERSONS GROUNDING INSTALLATION..... | 5 |
| UTENSILS..... | 5 |
| MATERIALS YOU CAN USE IN MICROWAVE OVEN..... | 6 |
| MATERIALS TO BE AVOIDED IN MICROWAVE OVEN..... | 6 |
| SETTING UP YOUR OVEN..... | 7 |
| COUNTERTOP INSTALLATION..... | 7 |
| INSTALLATION..... | 8 |
| OPERATION INSTRUCTION..... | 8 |
| TROUBLESHOOTING..... | 10 |
| WARRANTY..... | 11 |
| WARRANTY CARD..... | 12 |
| LIST OF SERVICE CENTRES..... | 13 |

PRECAUTIONS TO AVOID POSSIBLE EXPOSURE TO EXCESSIVE MICROWAVE ENERGY

- (a) Do not attempt to operate this oven with the door open since this can result in harmful exposure to microwave energy. It is important not to break or tamper with the safety interlocks.
- (b) Do not place any object in front of the microwave door and do not allow any residue to accumulate on sealing surface.
- (c) **WARNING:** If the door or door seals are damaged, the oven must not be operated until it has been repaired by a competent person.

Note: If the apparatus is not maintained in a good state of cleanliness, its surface could be degraded and affect the lifespan of the apparatus and lead to a dangerous situation.

SPECIFICATIONS

| | |
|--------------------------------|--------------------|
| Model | KMG 2411 |
| Rated Voltage | 230V~50Hz |
| Rated Input Power (Microwave) | 1050W |
| Rated Output Power (Microwave) | 700W |
| Rated Input Power (Grill) | 1000W |
| Oven Capacity | 20 L |
| Turntable Diameter | 255mm |
| External Dimensions(LxWxH) | 440 x 355 x 259 mm |
| Net Weight | Approx.10.5 kg |

* Specifications subject to change without prior notice.

IMPORTANT SAFETY INSTRUCTIONS

WARNING

To reduce the risk of fire, electric shock, injury to persons or exposure to excessive microwave oven energy when using your appliance, follow basic precautions, including the following:

1. **Warning:** Any food product must not be heated in sealed containers since they are liable to explode.
2. **Warning:** It is hazardous for anyone other than a competent person to remove the cover which gives protection against exposure to microwave energy.
3. **Warning:** Only allow children to use the oven without supervision when adequate instructions have been given so that the child is able to use the oven in a safe way and understand the hazards of improper use.
4. **Warning:** When the appliance is operated in the combination mode, children should only use the oven under adult supervision as it may be dangerous. (only for grill series)
5. Only use utensils suitable for use in microwave ovens.
6. The oven should be cleaned regularly and any food deposits should be removed.
7. When heating food in plastic or paper containers, keep an eye on the oven due to the possibility of ignition.
8. If smoke is observed, switch off or unplug the appliance and keep the door closed in order to stifle any flames.
9. Do not overcook food.
10. Do not use the oven cavity for storage purposes. Do not store items, such as bread, cookies, etc. inside the oven.
11. Remove wire twist-ties and metal handles from paper or plastic containers/bags before placing them in the oven.
12. Install or locate this oven only in accordance with the installation instructions provided.
13. Eggs in the shell and whole hard-boiled eggs should not be heated in microwave ovens since they may explode, even after microwave heating has ended.
14. Use this appliance only for its intended uses as described in manual. Do not use corrosive chemicals or vapors in this appliance. This oven is especially designed to heat. It is not designed for industrial or laboratory use.
15. If the supply cord is damaged, it must be replaced by the manufacturer, its service agent or similarly qualified persons in order to avoid a hazard.
16. Do not store or use this appliance outdoors.
17. Do not use this oven near water, in a wet basement or near a swimming pool.
18. The temperature of accessible surfaces may be high when the appliance is operating. The surfaces are liable to get hot during use. Keep cord away from heated surface, and do not cover any vents on the oven.
19. Do not let cord hang over edge of table or counter.
20. Failure to maintain the oven in a clean condition could lead to deterioration of the surface that could adversely affect the life of the appliance and possibly result in a hazardous situation.
21. The contents of feeding bottles and baby food jars shall be stirred or shaken and the temperature checked before consumption, in order to avoid burns.
22. Microwave heating of beverages can result in delayed eruptive boiling, therefore take care when handling the container.
23. The appliance is not intended for use by persons (including children) with reduced physical sensory or mental capabilities, or lack of experience and knowledge, unless they have been given supervision or instruction concerning use of the appliance by a person responsible for their safety.
24. Children should be supervised to ensure that they do not play with the appliance.
25. The microwave oven shall not be placed in a cabinet unless it has been tested in a cabinet.
26. Appliances are not intended to be operated by means of an external timer or separate remote-control system.
27. The door or the outer surface may get hot when the appliance is operating.

TO REDUCE THE RISK OF INJURY TO PERSONS GROUNDING INSTALLATION

DANGER

Electric Shock Hazard

Touching some of the internal components can cause serious personal injury or death. Do not disassemble this appliance.

WARNING

Electric Shock Hazard

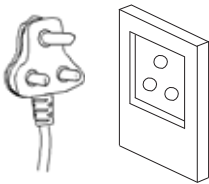
Improper use of the grounding can result in electric shock. Do not plug into an outlet until appliance is properly installed and grounded.

CLEANING

Be sure to unplug the appliance from the power supply.

1. Clean the inside of the oven after using with a slightly damp cloth.
2. Clean the accessories in the usual way in soapy water.
3. The door frame and seal and neighbouring parts must be cleaned carefully with a damp cloth when they are dirty.

Three-round-pin plug



This appliance must be grounded. In the event of an electrical short circuit, grounding reduces the risk of electric shock by providing an escape wire for the electric current. This appliance is equipped with a cord having a grounding wire with a grounding plug. The plug must be plugged into an outlet that is properly installed and grounded.

Consult a qualified electrician or serviceman if the grounding instructions are not completely understood or if doubt exists as to whether the appliance is properly grounded. If it is necessary to use an extension cord, use only a 3-wire extension cord.

1. A short power-supply cord is provided to reduce the risks resulting from becoming entangled in or tripping over a longer cord.
2. If a long cord set or extension cord is used:
 - 1) The marked electrical rating of the cord set or extension cord should be at least as great as the electrical rating of the appliance.
 - 2) The extension cord must be a grounding-type 3-wire cord.
 - 3) The long cord should be arranged so that it will not drape over the counter top or tabletop where it can be pulled on by children or tripped over unintentionally.

UTENSILS

CAUTION

Personal Injury Hazard

It is hazardous for anyone other than a competent person to carry out any service or repair operation that involves the removal of a cover which gives protection against exposure to microwave energy.

See the instructions on "Materials you can use in microwave oven or to be avoided in microwave oven." There may be certain non-metallic utensils that are not safe to use for microwaving. If in doubt, you can test the utensil in question following the procedure below.

Utensil Test:

1. Fill a microwave-safe container with 1 cup of cold water (250ml) along with the utensil in question.
2. Cook on maximum power for 1 minute.
3. Carefully feel the utensil. If the empty utensil is warm, do not use it for microwave cooking.
4. **Do not exceed 1 minute cooking time.**

MATERIALS YOU CAN USE IN MICROWAVE OVEN

| Utensils | Remarks |
|-----------------------|--|
| Aluminum foil | Shielding only. Small smooth pieces can be used to cover thin parts of meat or poultry to prevent overcooking. Arcing can occur if foil is too close to oven walls. The foil should be at least 1 inch (2.5cm) away from oven walls. |
| Browning dish | Follow manufacturer's instructions. The bottom of browning dish must be at least 3/16 inch (5mm) above the turntable. Incorrect usage may cause the turntable to break. |
| Dinnerware | Microwave-safe only. Follow manufacturer's instructions. Do not use cracked or chipped dishes. |
| Glass jars | Always remove lid. Most glass jars are not heat resistant and may break. |
| Glassware | Heat-resistant oven glassware only. Make sure there is no metallic trim. Do not use cracked or chipped dishes. |
| Oven cooking bags | Follow manufacturer's instructions. Make slits to allow steam to escape. |
| Paper plates and cups | Use for short-term cooking/warming only. Do not leave oven unattended while cooking. |
| Paper towels | Use to cover food for reheating and absorbing fat. Use with supervision for a short-term cooking only. |
| Parchment paper | Use as a cover to prevent splattering or a wrap for steaming. |
| Plastic | Microwave-safe only. Follow the manufacturer's instructions. Should be labeled "Microwave Safe". Some plastic containers soften, as the food inside gets hot. "Boiling bags" and tightly closed plastic bags should be slit, pierced or vented as directed by package. |
| Plastic wrap | Microwave-safe only. Use to cover food during cooking to retain moisture. Do not allow plastic wrap to touch food. |
| Thermometers | Microwave-safe only (meat and candy thermometers). |
| Wax paper | Use as a cover to prevent splattering and retain moisture. |

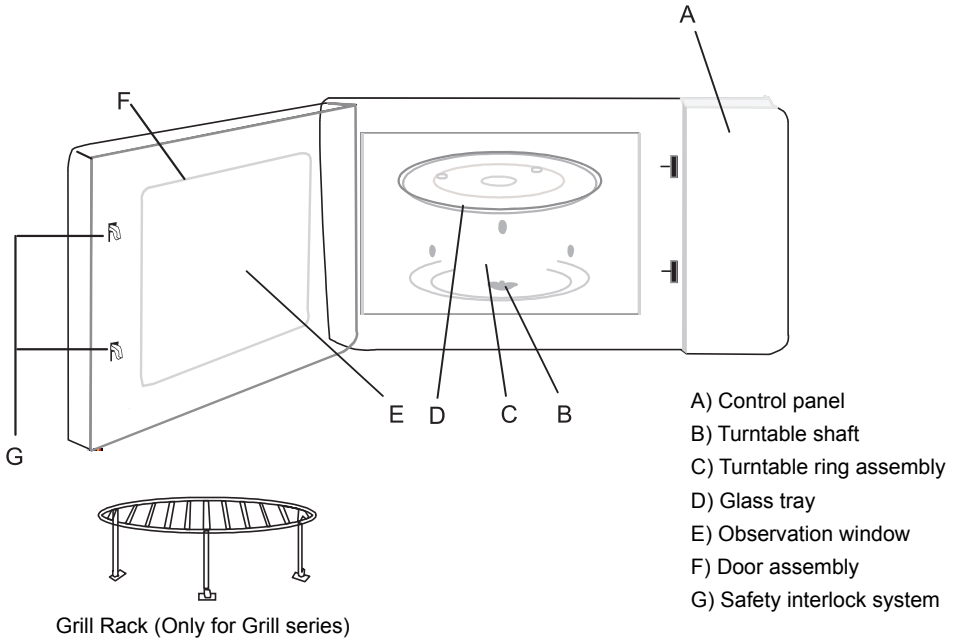
MATERIALS TO BE AVOIDED IN MICROWAVE OVEN

| Utensils | Remarks |
|---------------------------------|--|
| Aluminum tray | May cause arcing. Transfer food into microwave-safe dish. |
| Food carton with metal handle | May cause arcing. Transfer food into microwave-safe dish. |
| Metal or metal-trimmed utensils | Metal shields the food from microwave energy. Metal trim may cause arcing. |
| Metal twist ties | May cause arcing and could cause a fire in the oven. |
| Paper bags | May cause arcing and could cause a fire in the oven. |
| Plastic foam | Plastic foam may melt or contaminate the liquid inside when exposed to high temperature. |
| Wood | Wood will dry out when used in the microwave oven and may split or crack. |

SETTING UP YOUR OVEN

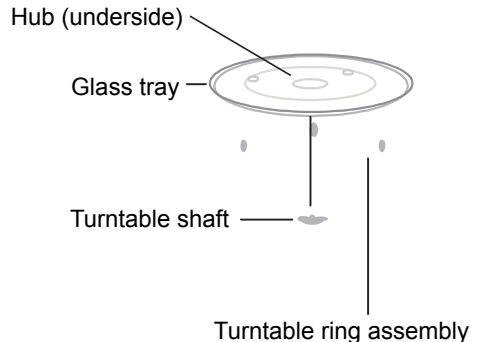
Names of Oven Parts and Accessories

Remove the oven and all materials from the carton and oven cavity. Your oven comes with the following accessories: Glass tray - 1; Turntable ring assembly - 1; Instruction Manual - 1



Turntable Installation

- Never place the glass tray upside down. The glass tray should never be restricted.
- Both glass tray and turntable ring assembly must always be used during cooking.
- All food and containers of food are always placed on the glass tray for cooking.
- If glass tray or turntable ring assembly cracks or breaks, contact your nearest authorized service center.



COUNTERTOP INSTALLATION

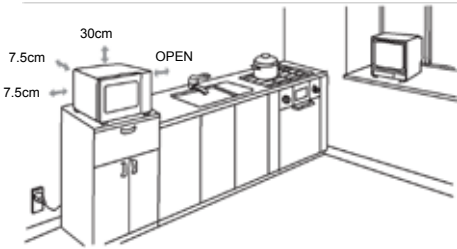
Remove all packing material and accessories. Examine the oven for any damage such as dents or broken door. Do not install if oven is damaged.

Cabinet: Remove any protective film found on the microwave oven cabinet surface.

Do not remove the light brown Mica cover that is attached to the oven cavity to protect the magnetron.

INSTALLATION

1. Select a level surface that provide enough open space for the intake and/or outlet vents.



A minimum clearance of 3.0 inches (7.5cm) is required between the oven and any adjacent walls. One side must be open.

- (1) Leave a minimum clearance of 12 inches (30cm) above the oven.
- (2) Do not remove the legs from the bottom of the oven.

- (3) Blocking the intake and/or outlet openings can damage the oven.
 - (4) Place the oven as far away from radios and TV as possible. Operation of microwave oven may cause interference to your radio or TV reception.
2. Plug your oven into a standard household outlet. Be sure the voltage and the frequency is the same as the voltage and the frequency on the rating label.

WARNING: Do not install oven over a range cooktop or other heat-producing appliance. If installed near or over a heat source, the oven could be damaged and the warranty would be void.

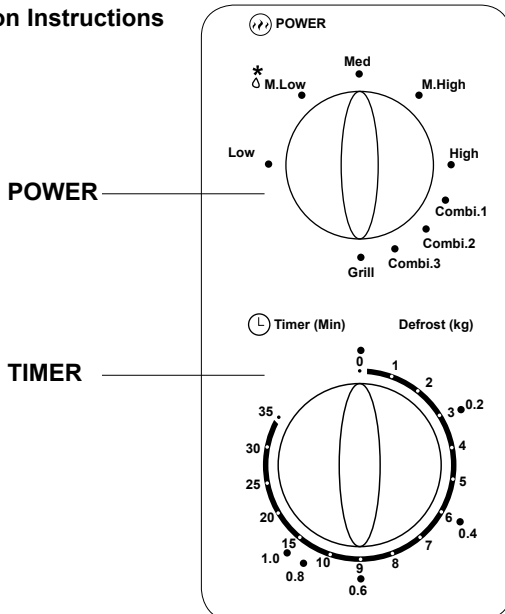
The accessible surface may be hot during operation.



OPERATION

Control Panel and Features

Operation Instructions



1. To set cooking power by turning the power knob to desired level.
2. To set the time of cooking by turning the timer knob to desired time per your food cooking guide.
3. The microwave oven will automatically start cooking after power level and time are set.
4. If the unit is not in use, always set time to "0".

| Function/Power | Output | Application |
|--------------------|-------------|--|
| Low | 17% micro. | Soften ice cream |
| Med. Low (Defrost) | 33% micro. | Soup stew, soften butter or defrost |
| Med. | 55% micro. | Stew, fish |
| Med. High | 77% micro. | Rice, fish, chicken, ground meat |
| High | 100% micro. | Reheat, milk, boil water, vegetables, beverage |

| Function/Power | Output | Application |
|----------------|----------------------|---|
| Combi.1 | 80% grill 20% micro. | Sausage, Lamb, Kabobs, Seafood, Steak |
| Combi.2 | 70% grill 30% micro. | Chicken pieces, Chicken breasts, Pork chops |
| Combi.3 | 60% grill 40% micro. | Whole chicken |
| Grill | 100% grill | Baken bread, Slice food |

Notice: When removing food from the oven, please ensure that the oven power is switched off by turning the timer switch to 0 (zero).

Failure to do so, and operating the microwave oven without food in it, can result in overheating and damage to the magnetron.

TROUBLE SHOOTING

| | Normal |
|---|--|
| Microwave Oven interfering TV reception | Radio and TV reception may be interfered when microwave oven operating. It is similar to the interference of small electrical appliances like mixer vacuum cleaner and electric fan. It is normal. |
| Dim oven light | In low power microwave cooking become dim. It is normal. |
| Steam accumulating on door | In cooking steam may come out of food. Most will get out from vents. But some may accumulate on cool place like oven door. It is normal. |
| Oven started accidentally with no food inside | Operating the oven without any food product can be dangerous and should be avoided. |

| Trouble | Possible Cause | Remedy |
|---|---------------------------------------|---|
| Oven cannot be started | Power cord not plugged in tightly | Unplug then plug again after 10 seconds |
| | Fuse blowing or circuit breaker works | Replace fuse or reset circuit breaker (repaired by authorised service engineer) |
| | Trouble with outlet | Test outlet with other electrical appliances |
| Oven does not heat | Door not closed well | Close door well |
| Glass turn table makes noise when microwave oven operates | Dirty roller rest and oven bottom | Refer to "Maintenance of Microwave" to clean dirty parts. |

Please do not dispose the product directly with household waste as this can be dangerous. Please follow the instructions of the local regulator to dispose the product.



WARRANTY

We, Future Value Retail Limited (hereafter referred to as the Company) Warrants to the purchaser of this KORYO Microwave Oven (hereafter called Product) Bearing Sl.No. as mentioned in the Warranty Card, that for a Period of 24 months commencing from the date of original purchase, the Company or its Authorised Service Franchisees will repair or replace with new or functionally operative parts, free of charge, any part or parts of the Product that are defective and the defect has been identified to be on account of faulty material or workmanship and not due to improper usage.

TERMS AND CONDITIONS OF WARRANTY

1. The Warranty is valid only in India.
2. This Warranty is applicable to the first purchaser of the Product. Further, the Warranty is applicable only if a defect has been identified to be on account of faulty material or workmanship and not due to improper usage.
3. The Company or its Authorised Service Franchisee alone can install / re-install, service / repair the Product.
4. The service / repair under the Warranty will be provided within Municipal Limits of the town where the Company's Branch Offices or the Authorised Service Franchisees are located.
5. If a Product that is installed beyond the Municipal Limits of the Company's Branch / Authorised Service Franchisee locations requires service / repair, then customer has to bear and pay for all expenses of Service personnel in connection with to & fro travel expenses (from the location of the Branches / Authorised Service Franchisees to customer's location and back) and other incidental expenses including transportation expenses of the Product / Spare parts / Components, at the rates prevailing.
6. The customer must inform the Company or its Authorised Service Franchisee of any change of location (whether within the City or to another City) of the Product atleast one week prior to such change of location. Failure on the part of the customer to do so, will absolve the Company from the obligations under this Warranty.
7. The Product has to be inspected by the Company or its Authorised Service Franchisee prior to shifting of location as well as before using the Product at the new location. The inspection fee levied by the Company or its Authorised Service Franchisee and cost of rectification of any damage in transit detected during the inspection shall be borne and paid by the customer. The Warranty shall continue to be in force for the remaining period if at the time of restarting / reinstalling the Product it is found to be in working order by the Company or its Authorised Service Franchisee. In case of any damage to product during shifting, the Warranty would cease to be effective.
8. The Company will make every effort to carry out repairs / replacement of parts / components under this Warranty expeditiously. In the event of any delay in service due to lack / non-availability of spare parts / component the Company shall not be liable for any consequential damages.
9. The Warranty shall automatically terminate on the expiry of Warranty Period specified in the Warranty Card, even if the Product may not have been in use for any time during the Warranty Period, for any reason whatsoever.
10. In the event of repairs / replacements of any parts of the Product this Warranty will thereafter continue and remain in force only for the unexpired Period of the Warranty. Moreover the time taken for repair/replacement and in transit whether under the Warranty or otherwise shall not be excluded from the Warranty Period.
11. This Warranty will continue to be in force for the terms specified above irrespective of what replacements may be provided under it and such replacements shall not attract any fresh period of Warranty, beyond the Period specified in the Warranty Card.
12. It is entirely left to the Company's discretion to effect repairs / replacements of parts or components at the site of installation or at the Service Centre of its Branches or Authorised Service Franchisees or at its Head Quarters at Mumbai.
13. The Company or its Authorised Service Franchisees reserve their right to retain any spare parts or components replaced on account of any defect noticed in the Product, during the Warranty Period.
14. This Warranty does not cover any excise duty, central or state sales tax and octroi or any other local taxes payable on the spare parts / sealed system parts / components which the Company may supply or repair free of cost during Warranty Period. The Warranty does not cover the cost of packing, to & fro freight charges, delivery and transportation charges on the spare parts / components sent to the Company's Head Quarters or the location of the Authorised Service Franchisee or its Branches.
15. In no event shall the Company or its Authorised Service Franchisees be liable for special or consequential damages or resulting liability, damage or loss arising directly or indirectly for any delay in the performance of this Warranty, due to causes beyond their control.
16. This Warranty does not cover corrosion, accessories including turn table, glassware, roller base and aesthetic design parts / components.
17. This warranty shall not in any case extend towards payment of any monetary consideration whatsoever.
18. The Company's employees or its Authorised Service Franchisee / Dealers do not have any authority either to extend the Warranty Period and / or to vary the terms of this Warranty.
19. The Warranty is affected in Mumbai and claims if any shall be made only before the competent Courts having jurisdiction in Mumbai. No claims whatsoever shall be made against the Company outside Mumbai, notwithstanding that the Product may have been sold or delivered or any stipulation or commitment in respect thereof may have been made elsewhere.

THIS WARRANTY IS NOT VALID IN CASE OF ANY OF THE FOLLOWING EVENTS

- a. The Warranty Card is not completed in all respects including duly sealed and signed by the Dealer, at the time of purchase of the Product.
- b. The Product is used for Non-Domestic purpose.
- c. The Product is not used according to the instructions given in the User's Manual.
- d. Defects / damages are caused by improper / reckless / negligent / careless use.
- e. Repair / service work is carried out by persons other than those Authorised by the Company.
- f. The original serial number of the Product is modified, deleted, defaced or altered.
- g. Any alterations are made in the electrical circuit or parts / components either by way of adjustments, addition, removal, alteration by the customer and / or any unauthorised person/s.
- h. If the Product is attacked by household pests, abnormal voltage, flood, fire, burning objects kept on top of or near the product or other natural calamities or act of God.
- i. The failure of the product due to electric short circuit or fluctuations in electrical supply outside the rated range.

The Warranty is given in lieu of all other conditions expressed or implied by Law or by any person/s purporting to act on behalf of the Company and excludes every conditions not herein expressly set out.

Caution :- PLEASE DO NOT ALLOW UNAUTHORISED PERSONS TO TRY TO REPAIR YOUR MICROWAVE COOKING SYSTEM. THIS IS PARTICULARLY NECESSARY AS DAMAGE TO SAFETY SWITCHES / DOOR IN THE SYSTEM MAY GENERATE HARMFUL RADIATION

multi-mate
Microwave Oven

WARRANTY CARD



THIS CARD IS VALID ONLY IF IT IS FILLED IN COMPLETELY, SIGNED AND STAMPED BY THE DEALER ON DATE OF PURCHASE

MODEL NO : _____ SERIAL NO : _____

CUSTOMER NAME : _____

ADDRESS : _____

PHONE NO : RESIDENCE : _____ OFFICE : _____

INVOICE/CASH BILL NO : _____

DATE OF PURCHASE : _____

CUSTOMER SIGNATURE : _____

DEALER'S STAMP

LIST OF SERVICE CENTRES

| | |
|---------------------|--|
| AGRA | Sai Electronics, 25/113, Gandhi Nagar, Agra - 282 003 Ph: 0562 - 3297005 Mob: 9927722217 |
| AHMEDABAD | Shop No. L - 8. Sonal Complex, NR, Preana Towers, Opp. Sanjivini Hospital, Vastrapur Lake, Vastrapur, Ahmadabad - 380 015. Ph: 079 - 30179212, Mob: 9979851940 |
| AHMEDNAGAR | Om Electricals, Bhutkarwadi, Savedi Road, Ahmednagar - 414003, Mob: 9822449668 |
| ALLAHABAD | Global Services, 19, Panna Lal Road, Near Raj Nursing Home, Behind Company Garden, Allahabad (UP) Ph: 0532 - 6450491, Mob: 094155308723 / 09307025794 |
| ALWAR | Priya Electronics, Shanti Niketan Building, Kashi Ram Choraha, Swarg Road, Alwar - 301001. Mob: 09352206928 |
| AMBALA | Telecare, Old. Hospital Road, Bara Thakur Dwara, Opp. Polytechnic, Ambala City - 134 003 Ph: 0171 - 2556432 Mob: 93153 15125 |
| AMRAVATI | Shri Balaji Service, Narayan Nagar, Near Prashant Nagar Bridge, Amravati - 444604. Mob: 98230 33443 |
| ANAND | Shree Jagdamba Refrigeration, Shree Laxmi Park, Near Pappu Hospital, Anand - 388001 Mob: 9375026770 |
| AURANGABAD | Emperor Services, Manik Arcade, Shop No. S - 5, Opp Chobe Hospital, Chetna Nagar, Aurangabad 431 005 Ph: 0240 2350606 Mob: 93736 65556 |
| BANGALORE | Jeeves Cosumer service Pvt LTD, #77/1 10,Eshwari Industrial Estate ,Hulimavu Village, Bangergahatta Road, Bangalore - 560076, Ph: 080-41133195 / 6 / 7 |
| BARODA | Krishna Services, 72 - 2, Vishwas Colony, Jetalpur Road, Alkapuri, Baroda - 390007 Ph: 0265 - 2313397 Mob: 9825754404 |
| BELGAUM | Vigneshwar Service Network, # 111, 2nd Main, IST Cross Sadashiv Nagar Ph: 0831 2471371 Mob: 98866 28723 |
| BHUBANESHWAR | Subhadra Electronics, Plot No : 765, Maharshi Road, Shahid Nagar, Bhubaneswar - 751007. Ph: 0674 - 2547684 Mob: 98611 51529 |
| BURDWAN | Cool Clean Spare Point, 180, G T Road, Joramandir, Burdwan - 713101 Ph: 0342 - 2657052 Mob: 9323487777 |
| CALICUT | Appolo Agencies, 5 - 3117, Delta Building, 673001 Ph: 0495 - 4010639 9349721972 |
| CHENNAI | Jeeves Consumer Services Pvt Ltd, 54/1 Old 16/1, Raja Bathar Street, T Nagar, Chennai Ph: 044 - 43534241 Mob: 9444202101 |
| COIMBATORE | V.K.Engineering, 108 - A/92, West Ponnurangam Road, Ground Floor (Near Telephone Exchange), R.S.Puram, Coimbatore - 641002 Ph: 0422 - 2541172, 2541173, 3253677 Mob: 98430 93367 |
| CUTTACK | Subhadra Electronics, C/O Hi Tech Electronics, Biju Pattnaik Chhak, Tulasipur, Cuttack - 753008 Ph: 0671 - 6941070 Mob: 9776221235 |
| DARJEELING | Abul Electronics, N.B. Singh Road, Darjeeling, West Bengal - 734101 Ph: 0354 - 2253102 Mob: 9434212300 |
| DELHI | Jeeves Consumer Services Pvt Ltd, Municipal No R - 53, First Floor, Shakarpur, Vikas Marg, Delhi - 92 Ph: 011 - 22469856 Mob: 09873601702 |
| DELHI 01 | Cure Well Electronics Pvt Ltd, Mb - 167a, Gali No : 4, Shakarpur, Near Agarwal Dharamsala, Delhi - 91 Ph: 011 - 22443083, 22468313 Mob: 09312246401 |
| DEOGHAR | J K Electronics, Stn Road, Opp: Hotel Shivam Internatiol, Deoghar, Pin: 814112, Ph: 06432 - 22967 Mob: 09835322046 |
| DHANBAD | Permia Electronics, Hotel Royallan Plaza Complex; Bank More; Katras Road; Dhanbad - 826001 Ph: 0326 - 2300524 Mob: 09334352659 |
| DURGAPUR | Yes Service, Hutton Road, 713301 Mob: 9734504070 |
| FARIDABAD | Paramount Electronic Service , 5h - 2, Nit, Faridabad - 121001 Ph: 0129 - 4031317/4033318 Mob: 9990093305 |
| GURGAON | Swastik Care, 147, Daynand Complex, Dayanand Colony, Opp. Jai Cinema Chowk, Gurgaon 122 001. Ph: 0124 - 4202622 Mob: 98104 21849, 98103 40980 |
| GUWAHATI | Multitrack, G.S Road, Ground Floor, Bora Service Station, Ululbari, Guwahati - 781007 Ph: 0361 - 2457296. Mob: 09864444684 |
| GWALIOR | Alpha Electronics, 51, Vikas Nagar, Kherapati Road, Gwalior - 474003 Ph: 0751 - 4086922 Mob: 9826266922 |
| HALDIA | Maya Electronics, Vill & Post Deulia Bazer, Purba Madnipur, Pin - 721154 Ph: 03228 - 249000 Mob: 9830388178 |
| HASSAN | Golden Eye Service, 145, 146, Northen Extention, Park Road, Hassan Ph: 08172 - 231176 |
| HOWRAH | Time N Service, 37/38, Mohinath Porel Lane, Salkia, Howrah - 7111106 Ph: 033 - 65639720 |
| HUBLI | Armaan Electronics, Near Qurbanshavalli Dargha, Sadar Sofa Old Hubli 5620024, Mob : 9886620916 / 9688675325. |
| HYDERABAD 01 | Jeeves Consumer Services Pvt Ltd, Room No 102, Mahaveer Chambers, Sairam Colony, West Maratpally, Secunderabad. Ph: 040 - 64591168 Mob: 09246339748 |
| HYDERABAD 02 | New Life, No.6 - 3 - 709/1/13/A, Exide Battery Lane, Beside R.K.Plaza, Panjagutta, Opp. Margadarshi Chit Fund, Hyderabad 500 082 Ph: 040 - 66771772 Mob: 99496 62200 |
| INDORE | Cool Home Refrigeration, Lg - 70, Trade Centre, 18, South Tukogunj, Indore - 452 001 Ph: 0731 - 4076404, Mob: 098260 97211 |
| JABALPUR | Standard Electronics, 855, Varma Compound, Behind Frontier Bajaj, Nagrath Chowlk, Jabalpur, 482701 Ph: 0761 - 4036167, Mob: 9424658209 |
| JAIPUR | Simplex Medicare, Lg - 70, 1 St Floor, Shankar Marg, Above Hero Honda Showroom, Jaipur, Rajasthan, Pin - 302015 Ph: 0141 - 2741111, 3208098 Mob: 09829068014 |
| JALANDHAR | S P Electronics, 274 A, Street No - 02. Main Street, Chaugiti, Gurunanak Pura West, Jalandhar - 144009 Mob: 9915483442 |
| JALGAON | Om Refrigeration And Elec. 8 Opp.Manish Steel, Old Neri Naka, Jalgaon Ph: 0257 - 2232410 Mob: 9423940350 |
| JAMSHEDPUR | S Vinayak Electronics. 335/A, Mani Road, Bhuiyadih, Lakritral, Po: Agrico, Jamshedpur, Pin - 09. Mob: 09430735026/09709157443 |
| KANPUR | Shubham Electronics, 192, Manohar Nagar, 208027 Mob: 9415132072 |
| KHARAGPUR | Maya Electronics, Vill & Post Deulia Bazer, Purba Madnipur, Pin - 721154 Ph: 03228 - 249000 Mob: 9830388178 |

LIST OF SERVICE CENTRES

| | |
|----------------------|--|
| KOLHAPUR | Multi Service , Shop No F - 39, Trade Centre, Station Road, New Shahu Puri, Kolhapur 416 001. Ph: 0231 - 2653294 Mob: 98811 23570 |
| KOLKATA 01 | Southern Sevice., 6/14, Prince Anwarshah Road, Poddar Nagar, Kolkata - 700 068 Ph: 033 - 65488822 Mob: 09804867696 |
| KOLKATA 02 | Favorite Electronics Service Private Limited., P - 84a, C I T Road, Scheme I V M, Beliaghata, Kolkata - 700 010 Ph: 033 - 65485689 Mob: 9831213043 |
| KOLKATA 04 | Baishanu Service Care, 55d, Adhyanath Saha Road, Laketown, N/L: adhyanath School, Behind Jayacinama, Kolkata - 700048 Mob: 7278491145 |
| KOTA | Saya Electronics 4 - B, New Colony, Gumanpura, Behind Titan Showroom Kota - 324007 Ph: 0744 - 2392334 Mob: 9829036914 |
| LUCKNOW | Swastik Customer Care Centre, A - 1/3, Sec - H Aliganj, Lucknow - 226 020 Near Kendriya Bhawan. Ph: 0522 - 2762461/62 Mob: 94150 12347, 9839338636 |
| LUDHIANA | Shiv Enterprises, 69, Street No. 9, New Sant Vihar, Rajan Estate, Haibowal Kalaan, Chur Pur Road, Ludhiana 141001 Ph: 0161 - 2620588 Mob: 09814046262 |
| MANGALORE | Electronic Services Corporation, Opposite New Chitra Talkies, Near Pushapanjali Hall, Alake Road, Mangalore - 03. Ph: 0824 2496046, 2494234 Mob: 9845362161 |
| MEERUT | Indian Service Network, 120/7, Shastri Nagar Garh Road, Meerut 250002 Ph: 0121 - 3294595, 4005839 Mob: 93584 07051, 9358607051 Mob: 93584 07185, 93192 66432 |
| MUMBAI | Jeeves Consumer Services Pvt Ltd, Shop No - 12, Sunita Anand Palce, Near Pipeline, Balrajeshwar Road, Mulund - West - 400080 Ph: 022 - 65288593 Mob: 09892672583 |
| MYSORE | V-Tech Services, #901,3rdMain ,N.K.Urs Road, Behand MRF Show Room, Sararsvathipuram, Mysore - 570009, Ph: 2543076, Mob: 9241094323 / 9844171501 |
| NADIA 01 | Service Pluss, 9/154, Kalyani, Nadia, N/L Kalyani Rail Stn, Pin - 741235, Ph: 28760483 Mob: 09433768494 |
| NAGPUR | Technic Services, Khare Building, Hanuman Lane, Sitabuildi, Nagpur 440 012 Mob: 9373102179, 9096022122 |
| NANDED | P G Electronics, Shop No - 04, Mata Guruji Complex, Hingoli Gate Road, Nanded - 431602 Ph: 0246 - 2230273 |
| NASIK | Digital Services, Shop No.6, Vishuprasad Apartment, Sadhu Vaswani Road, Kulkarni Colony, Nasik - 422 002 Ph: 0253 - 2319532 Mob: 9890639084 |
| PALAKKAD | 3D, Customer Care Centre, 13/480, Edyayer Street, Mankava Ph: 0491 - 2535794 9388888245 |
| PANIPAT | Alfa Service, Shop No.1, 125, Sukhdev Nagar, Panipat 132 103. Haryana. Ph: 0180 - 4006044 Mob: 98130 72804 |
| PATNA | Kool Craft, 130 - E, S.K. Puri, Boring Road, Patna - 800001. Ph: 0612 - 3298766 9835236787 |
| PUNE 01 | Jeeves Consumer Services Pvt Ltd. 337, Sai Leela, Datta Wadi Mhasoba Chowk, Pune - 30 Ph: 020 - 24322679 Mob: 9689924582 |
| PUNE 02 | Cool Comfort, Flat No - 239, Building No - 16, Om Co - Op Soc, Near Datta Mandir, Lbs Road, Pune - 30 Mob: 9011052190 / 9503850591 |
| RAIPUR | BK Electroscan, FCI Colony, Sriram Nagar, Phase - 2, Raipur Chattisgadh Mob: 9826127423 |
| RAJKOT | Rajkot Services, Krishna Con - Arch - 2, Shop No. 17, Ground Floor, Godown Road Corner, Tagore Road, Rajkot Ph: 0281 - 2482845 Mob: 9825361546 |
| RANCHI | Powerlux Enterprises, 173 Old AG Colony Kadru, Ranchi - 834002. Ph: 0651-6455758 |
| SANGLI | Padmanabh Electronics, Shop No - 2/3, Yogiraj Apartment, 100 Ft Road, Vishram Baug, Sangli - 416415 Ph: 0233 - 2301770 Mob: 9423829770 |
| SILIGURI | North Point Services, 9, Balai Das Chatterji Road, Opposite Jack & Jill School, Near Bhutia Market, Siliguri - 734001 Ph: 0353 - 2526028 Mob: 09932363313/9434057538 |
| SURAT | Sadgurudev Electrocure Service, Shop No. L - 4, Shakuntal Complex, B.S. Sanghvi Tower, Adajan Patia, Near Gujarat Gas Circle, Surat - 395009 Ph: 0261 - 6540417 Mob: 98250 90417 |
| THRISSUR | Tekwins Electronics, 1st Floor, Regency Building, West Fort, Thrissur 680 004 Ph: 0487 - 2388659 Mob: 98470 30594 |
| TINSUKIA | Maheshwar Electronics, Phukan Market, R.G Road, Opp: women Collage, Tinsukia Assam Pin: 786125 Ph: 0374 - 2337453, Mob: 435035698/09207082762, |
| TIRPUR | SM Electronics, Vavila Complex, 641605 Mob: 9843079909 |
| TRIVANDRUM | A V Digitals, Athira , T.C. 28/1235, Swara 71, Sree Chitra Gardens, Sreekanteswaram, Fort P.O, Thiruvananthapuram - 695023. Ph: 0471 - 6450101/2453553 Mob: 92494 10333/9249432807 |
| UDAIPUR | Electro India, 7/1st Floor, Shri Mahalaxmi Aprtment, Outside Surajpole, Udaipur - 313001 Ph: 0294 - 5101921 Mob: 9214880177 |
| UDUPI | Aman Electronics, Mahalasa Damodhar Towers, Kunjibettu, Udupi 576 102 Ph: 0820 - 2528770 Mob: 92423 61271 |
| VAPI | Unique Services, Shop No 11/2, Asopalav Complex, Vapi - East, Gujrat - 396191 Mob: 9909917471 |
| VIJAYAWADA | Surya Services, 29 - 9 - 43, Govindarajulu Naidu Street, Suryarao Pet, Vijaywada - 520002 Ph: 0866 - 6661855 Mob: 9985542855 |
| VISHAKAPATNAM | Suja Consumer Services, D No.47 - 11 - 4, Dwarka Nagar, 1st Lane, Vishakhapatnam - 530 016 Ph: 0891 - 6464438 Mob: 9866771438 |
| ZIRAKPUR | Jeeves Consumer Services Pvt Ltd, Scf - 4 Basement , The High Land Society, Nav, Baltana, Zirakpur, Dist., Mohali - 140603. Punjab Mob: 09466621991 |



All India Service Network
1800-425-7722 / 080 - 26577722
feedback@koryoworld.com



Imported & Marketed by:
Future Value Retail Limited
Tower C, 8th Floor, 247 Park, L.B.S. Marg,
Vikhroli (West), Mumbai - 400 083,
Maharashtra, India.