
www.hehobeonline.co.za



Teeth Whitening Machine

WL-UE60

User Manual

CATALOGUE

- 1. Safety P4**
- 2. Component..... P4**
- 3. Installment P5**
- 4. Product FeaturesP6**
- 5. Products SpecificationsP7**
- 6. Operation..... P7**
- 7. Responsibility..... P8**

1. Safety

Before you use the WL-UE60 lamp , please read the CAUTIONS instruction.

*CAUTION: Don't look directly at the light when turn on the lamp

*CAUTION: This product is not suitable for use in the condition of flammable places mixture with air o nitrous oxide.

2. Component

Description	Quantity
Lamp main unit	1pce
Desk Holder	1 set
Protective Sleeve	20pcs
Remote control	1pce
Power supply	1pce
User's manual	1pce



Seven LEDs have passed special process.



Control box



Remote control



goggle



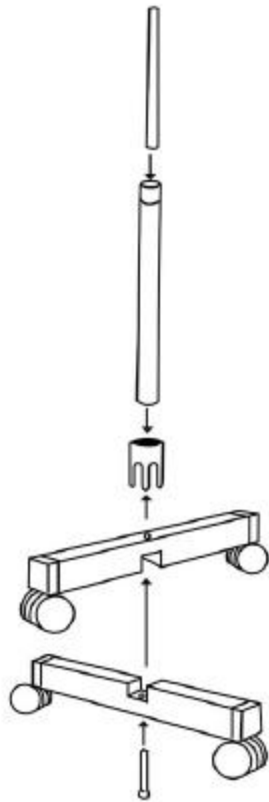
Disposable sheath



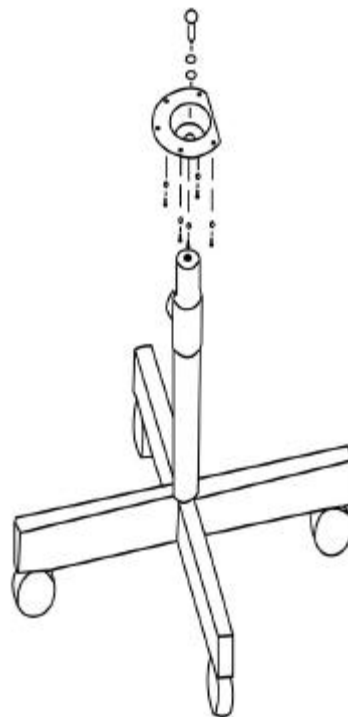
Mouth retractor

3. Installment

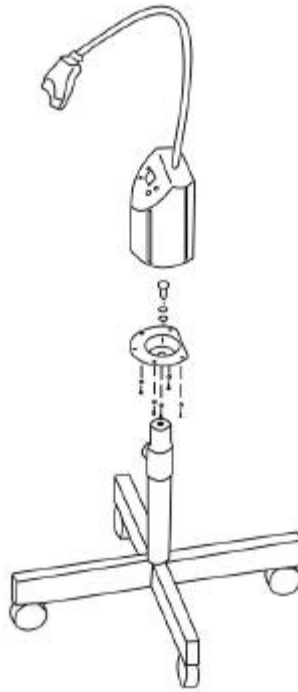
Please check as follows picture 1, 2 , 3 to assemble the teeth lamp machine.



Picture 1



Picture 2



Picture 3

Note : When the screw is loose in the picture 1 , the spring will be come out , so before use the desk lamp , pls fix all the screws and the holder of the lamp as the above illustrations tightly .

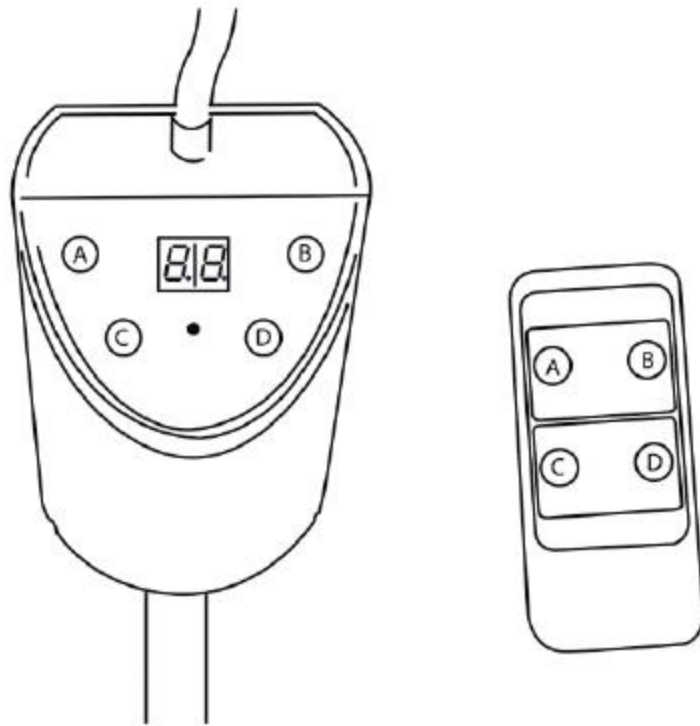
4. Products Features

- ☒ High efficiency small base side design , removable, suitable for use anywhere .
- ☒ Combination of high power Japanese BLUE led. Good for your eyes when use this lamp .
- ☒ Unique remote control setting function for this lamp , convenient for operation .
- ☒ Tunable bleaching time with microprocessor-controlled timer presets.
- ☒ Digital indicator with audio feedback.
- ☒ Smart auto-select power: 100 to 240 Volts AC.50/60 hz for global use.
- ☒ Small base size design, suitable use in all kinds dental clinic.
- ☒ Enclosed disposable sheath, prevent cross-infection, clean and convenient, let patient feel relieved.
- ☒ The small base could adjust height.
- ☒ Special feature for the Protective Sleeve, to keep the lamp clean , and can use to keep the eyes when the lamp turn on for long time .

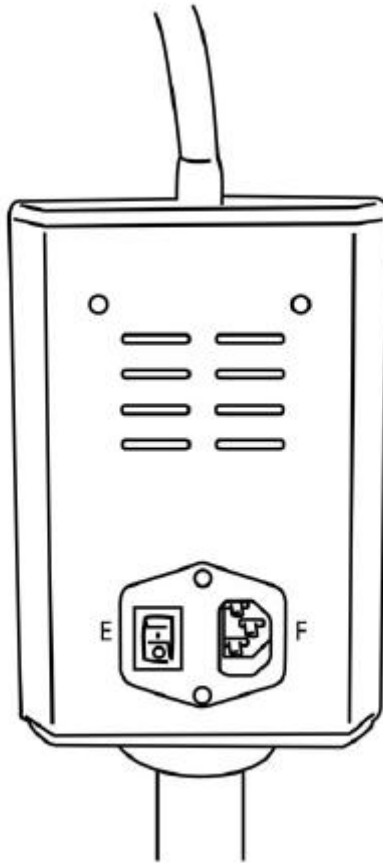
5. Specification

- ☒ Board Spectrum: 430 - 520nm
- ☒ Power: 24W
- ☒ 100/240 Volt , 50/60 Hz
- ☒ N/W : 4.70kg
- ☒ G/W :6.70kg
- ☒ Max Working Radius: 38cm

6. Operation



Picture 4



Picture 5

To Buttons function :

A— Time setting (up) B--- Time setting (down) C – Turn on /off for lamp

D—Pause/continue E—Turn on/off for power supply F--- Power supply socket

Connect the power supply with the lamp main unit as picture 5 “F” , turn on the “ E” button , to press the button “C” as the picture 4 , or can choose the remote control “ C” switch , to turn on /off the EA60 lamp.

7. Responsibility

It’s responsible for the effects on safety , reliability and performance of WL-EA60 lamp only if :

- The electrical installation of the relevant room complies with the requirement
- The lamp is used in accordance with these instructions for use

