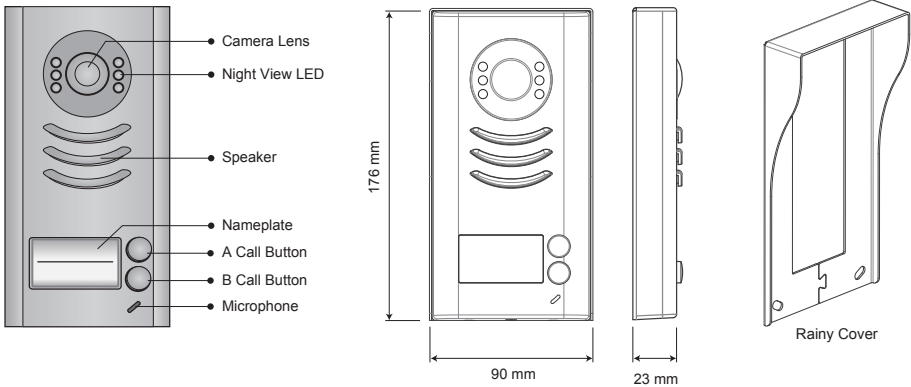
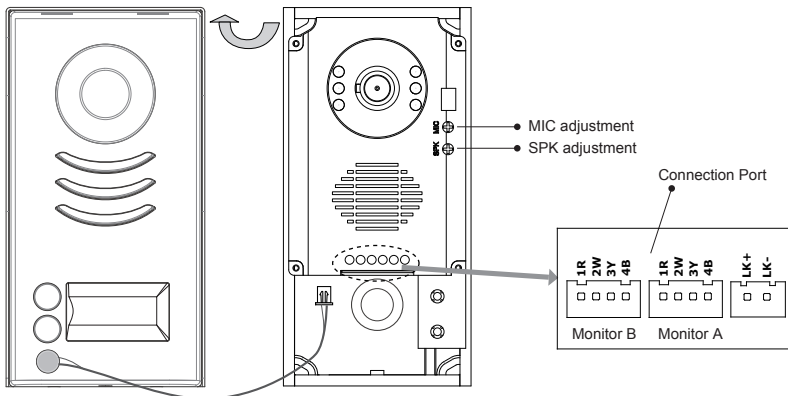


## 1. Parts and Functions



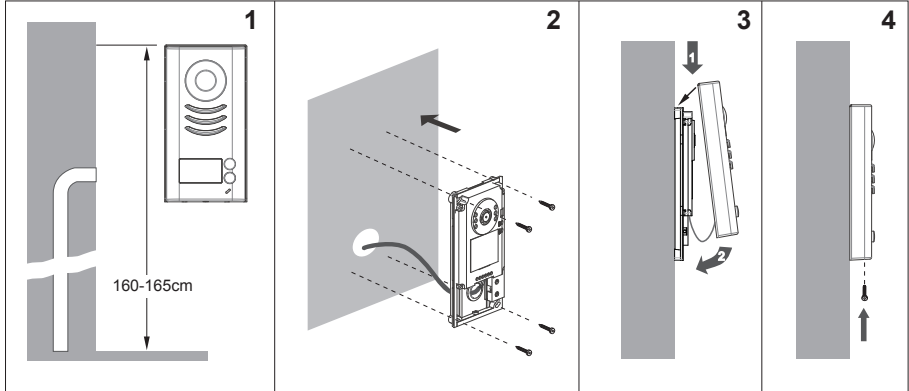
## 2. Terminal Descriptions



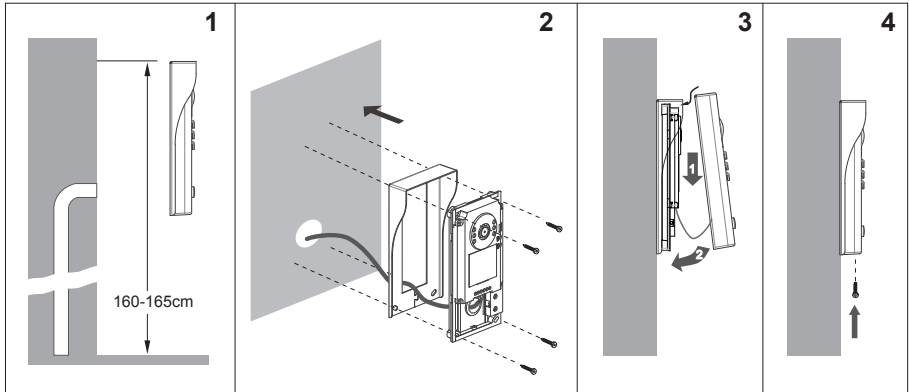
- **1R** (Red): Power positive. +12V present when Door Station calling or being monitored.
- **2W** (White): Power negative (Ground).
- **3Y** (Yellow): Image signal (Video signal).
- **4B** (Black): Talk and control signal (Audio signal).
- **LK+,LK-**: Normally opened connection port.

# 3. Mounting

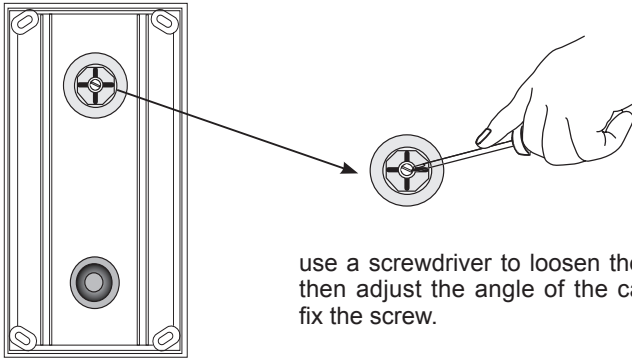
## 3.1 Mounting Without Rainy Cover



## 3.2 Mounting With Rainy Cover



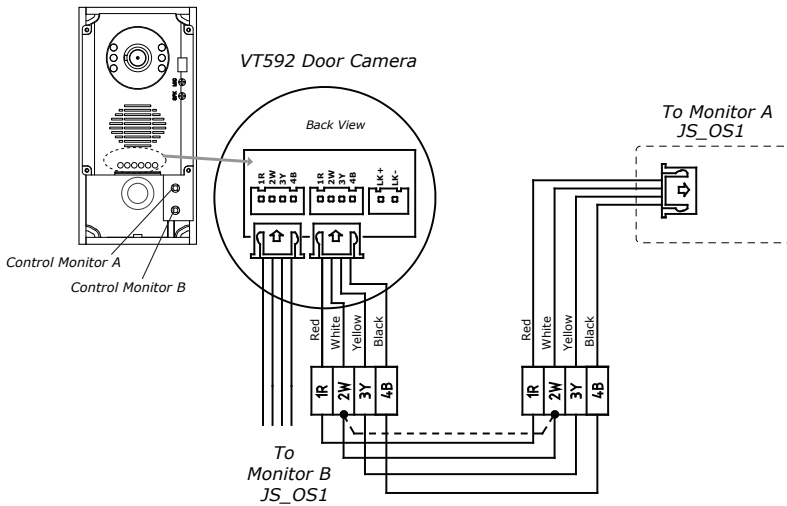
### 3.3 Adjusting Camera Angle



## 4. System Wiring and Connections

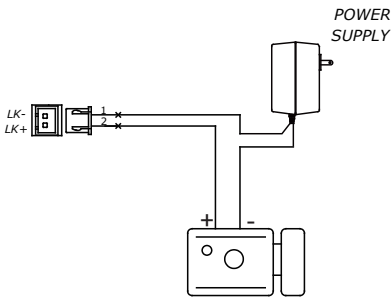
---

### 4.1 Basic Connection



## 4.2 Electric Lock Connection

- **Mode1:Door Lock Controlled With Dry Contact**

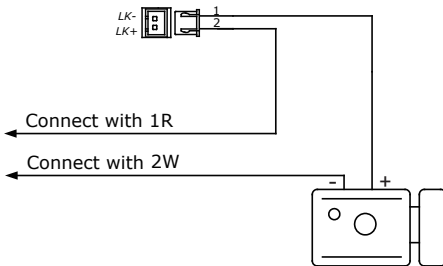


Must install external power supply for lock, and nearly all kinds of electronic lock can be used. Incidentally, in this mode, you can continue talking and monitoring during unlock operation.

Note:

1. The external power supply must be used according to the lock.
2. The inside relay contact is restricted to AC or DC 24V/3A.

- **Mode2:Door Lock Controlled With Internal Power**



The lock can be directly connected with the door station and the power through monitor. During unlock operation, the monitor will close screen automatically.

Note:

1. Electronic lock of power-on-to-unlock should be used.
2. The door lock is limited to 12V, and holding current must be less than 250mA

## 5. Specifications

---

Power Supply:	DC 10~12V (Internal Power supply)
Consumption:	200mA in working state (latch not included)
Video Output:	75Ohm, 1Vp-p, CCIR standard (unless specified)
Camera:	76 degree, CCD camera with IR-LED
Working temperature:	-10°C ~ 40°C