

BUDDY STROLLER



Instruction Manual

PLEASE KEEP INSTRUCTIONS FOR FUTURE REFERENCE

SAFETY GUIDELINES AND INSTRUCTIONS MUST ALWAYS BE FOLLOWED BEFORE MAKING USE OF THIS PRODUCT. PLEASE RETAIN THESE INSTRUCTIONS FOR FUTURE REFERENCE. THIS PRODUCT COMPLIES WITH PRODUCT SAFETY STANDARD AS/NZS 2088:2009

WARNING

FOLLOW THE MANUFACTURER'S INSTRUCTIONS.

PUT ON ALL THE BRAKES WHENEVER YOU PARK THE STROLLER. ALWAYS APPLY THE BRAKES WHENEVER THE STROLLER IS STATIONARY.

DO NOT LEAVE CHILDREN UNATTENDED.

SECURE THE CHILD IN THE HARNESS AT ALL TIMES.

DO NOT CARRY EXTRA CHILDREN OR BAGS ON THIS STROLLER.

DO NOT USE THIS SEAT WITH ANY OTHER MODELS OF STROLLER.

DO NOT USE THIS BASSINET ONCE THE CHILD CAN SIT UP UNAIDED.

USE THE SEAT IN THE UPRIGHT ONCE THIS OCCURS.

ALWAYS LOAD THE HEAVIER CHILD IN THE FRONT SEAT THEN PLACE THE LIGHTER CHILD IN THE REAR SEAT. ALWAYS UNLOAD THE REAR CHILD FIRST.

MAKE SURE CHILDREN ARE CLEAR OF ANY MOVING PARTS IF YOU ADJUST THE STROLLER, OTHERWISE THEY MAY BE INJURED.

USE THE HARNESS AT ALL TIMES.

WHEN NOT IN USE DISCONNECT SHOULDER STRAPS FROM THE WAIST STRAP AND/OR BUCKLE.

THE HARNESS CAN FORM LOOPS WHICH MAY BE A STRANGULATION HAZARD.

NEVER LEAVE A HARNESS CONNECTED WHEN NOT FITTED TO A CHILD IN THE STROLLER.

TO AVOID SERIOUS INJURY ALWAYS USE THE HARNESS PROVIDED TO SECURE THE CHILD. (ADJUST THE STRAPS TO SUIT THE SIZE OF YOUR CHILDS BODY) IT IS UNSAFE TO USE ACCESSORIES OTHER THAN THOSE SUPPLIED BY Pocholin Baby.

CARE SHOULD BE TAKEN IF THE STROLLER IS TO BE USED ON STAIRS OR ESCALATORS.

THIS STROLLER SHOULD NOT BE USED NEAR AN OPEN FIRE OR AN EXPOSED FLAME.

CARE SHOULD BE TAKEN WHILST FOLDING AND UNFOLDING THE STROLLER TO PREVENT FINGERS BEING TRAPPED.

ENSURE YOUR CHILDS FINGERS, HANDS AND ALL OTHER BODY PARTS ARE CLEAR FROM ANY MOVING PARTS WHEN ADJUSTING THE SEAT OR HANDLE ON YOUR STROLLER.

**WHEN USED IN THE UPPER POSITION MAX WEIGHT OF SEAT: 15KG
- MAXIMUM WEIGHT WHEN USED IN BASSINET MODE: 9KG (SUITABLE FOR NEWBORN) WHEN USED IN LOWER POSITION MAX WEIGHT OF THE SECOND SEAT : 15KG (SUITABLE WHEN CHILD IS ABLE TO SIT UP UNAIDED) MAXIMUM WEIGHT FOR BASKET: 3KGS
MAXIMUM WEIGHT CAPACITY IS: 33KG**

*PICTURES USED IN THIS MANUAL ARE FOR ILLUSTRATIVE PURPOSES ONLY. THE ACTUAL STROLLER MAY VARY IN DISPLAY.

CLEANING AND MAINTENANCE

ALL POCHOLIN BABY PRODUCTS HAVE ONE YEAR WARRANTY FROM THE DATE OF PURCHASE.

IT IS RECOMMENDED TO REGULARLY INSPECT AND MAINTAIN MOVEMENT OF LOCKING DEVICES AND SECURITY OF ESSENTIAL COMPONENTS.

REGULARLY CHECK ALL PARTS FOR WEAR AND TEAR. LUBRICATE IF TIGHT.

DO NOT USE SPRAY LUBRICANTS, SIMPLY WIPE CLEAN AFTER USE.

THE SEAT LINER CAN BE CLEANED BY SPONGING WITH WARM SOAPY WATER AND A MILD DETERGENT. A MILD DISINFECTANT MAY BE USED IF DESIRED.

STUBBORN MARKS MAY BE REMOVED WITH A NON ABRASIVE CREAM CLEANER.

NEVER CLEAN WITH ABRASIVE, AMMONIA BASED, BLEACH BASED OR SPIRIT TYPE CLEANERS.

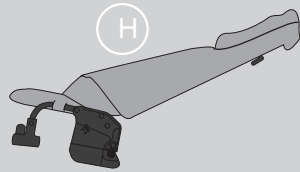
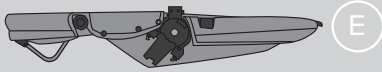
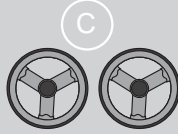
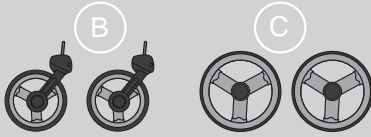
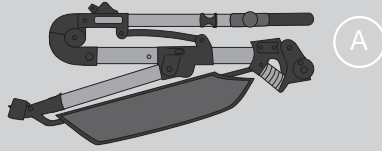
IF THE WHEELS BECOME DAMAGED OR WORN DISCONTINUE USE AND REPLACE.

FABRIC CARE

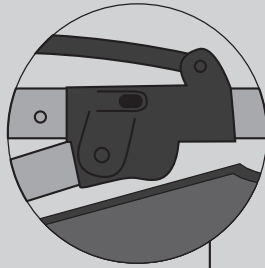
- HANDWASH ONLY
- DO NOT BLEACH
- DO NOT TUMBLE DRY
- DO NOT IRON
- DO NOT WRING
- DO NOT DRY CLEAN



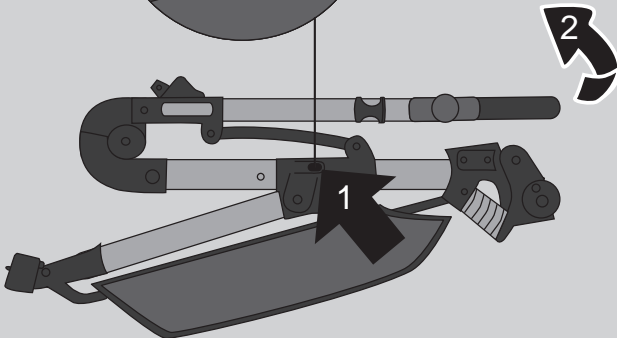
1



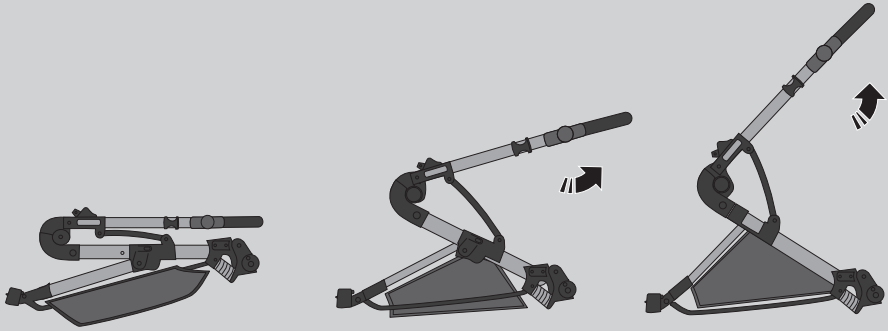
2a



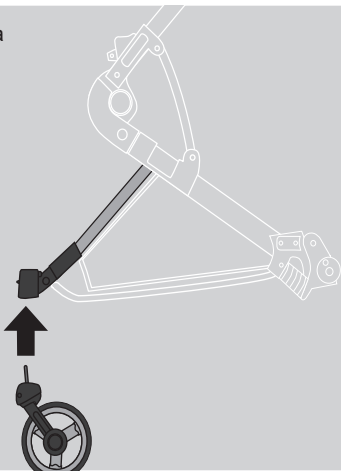
A



2b

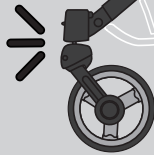


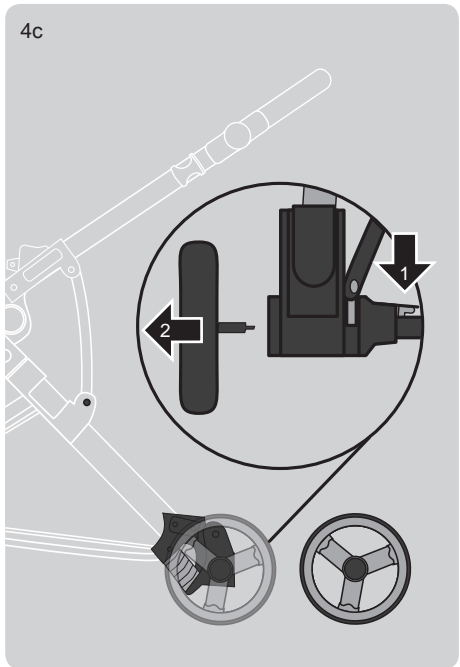
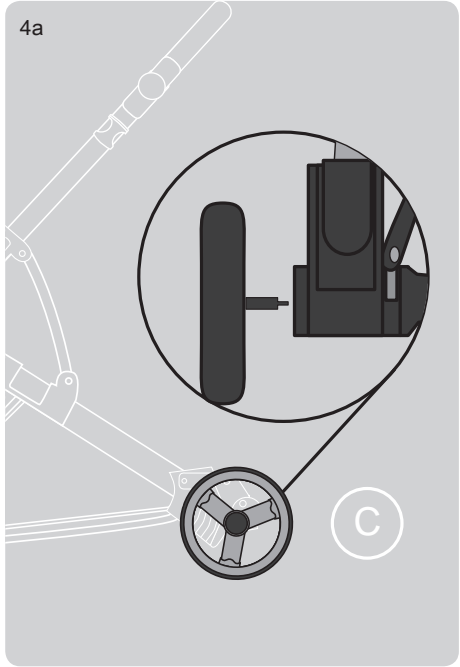
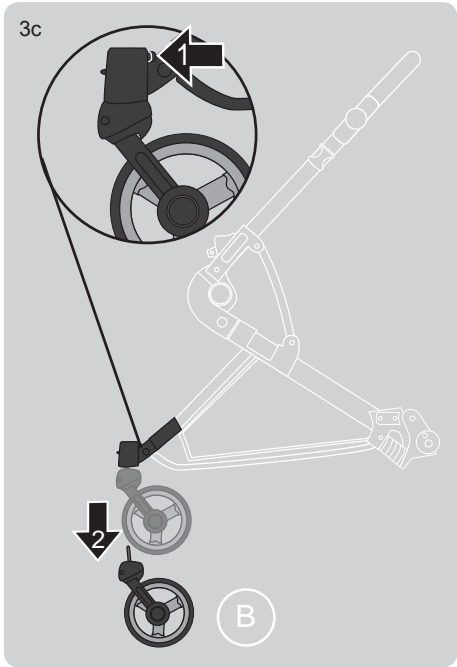
3a

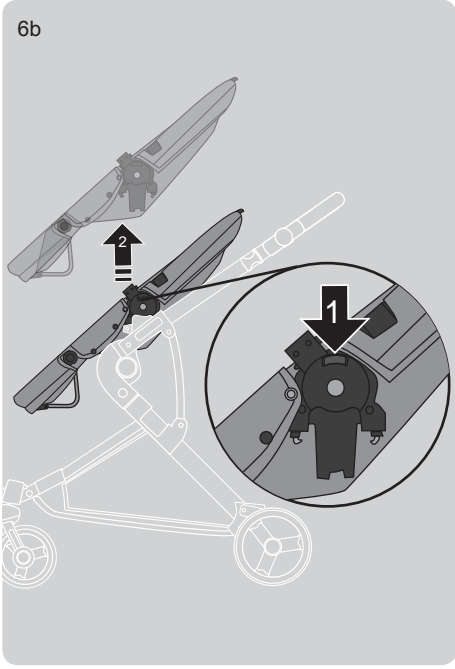
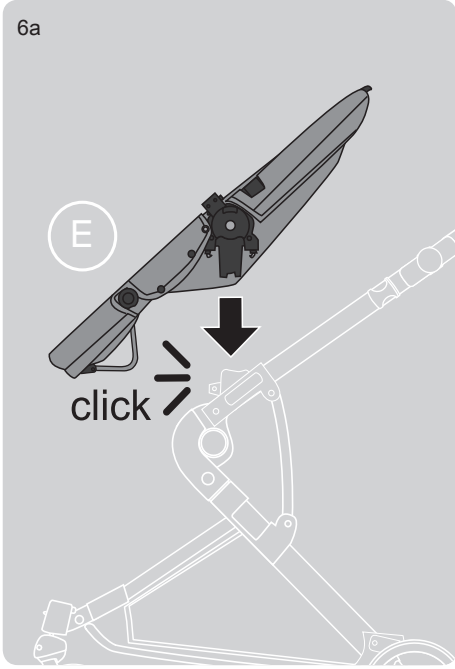
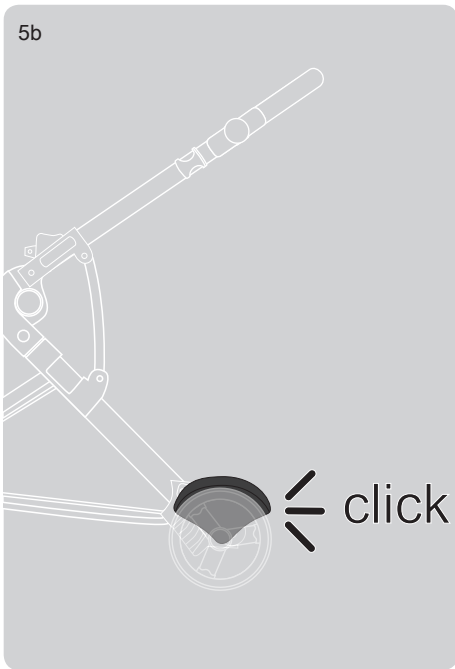
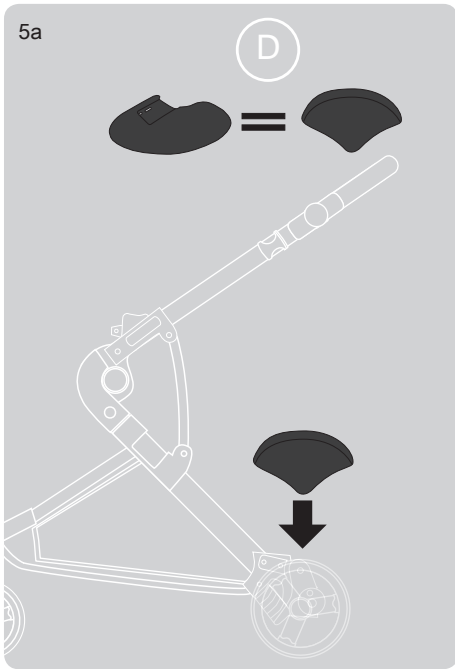


3b

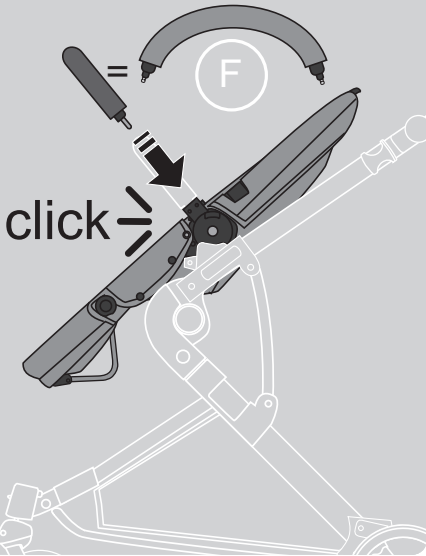
click



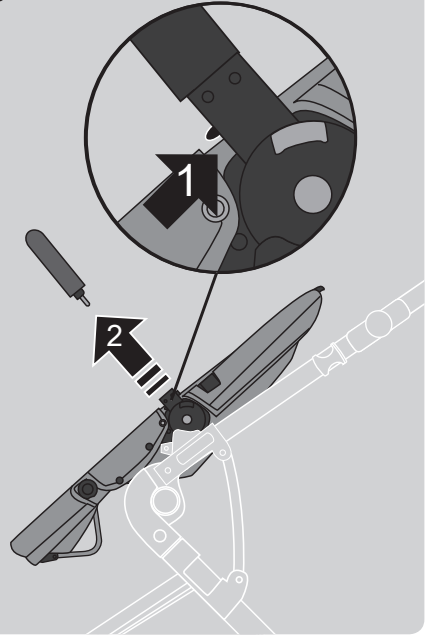




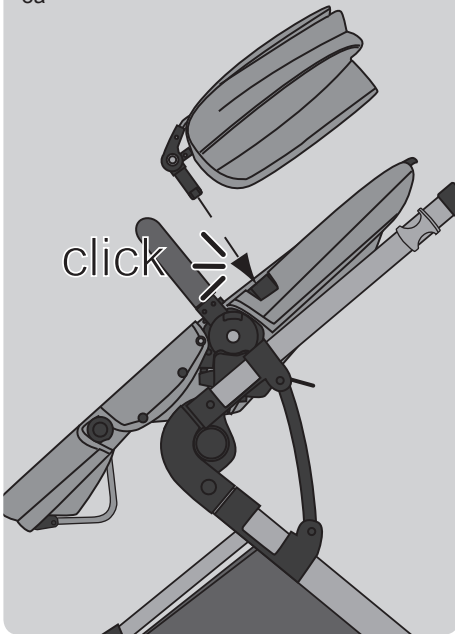
7a



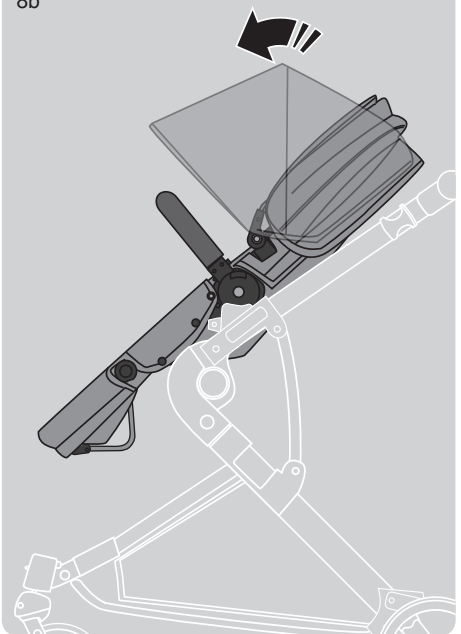
7b



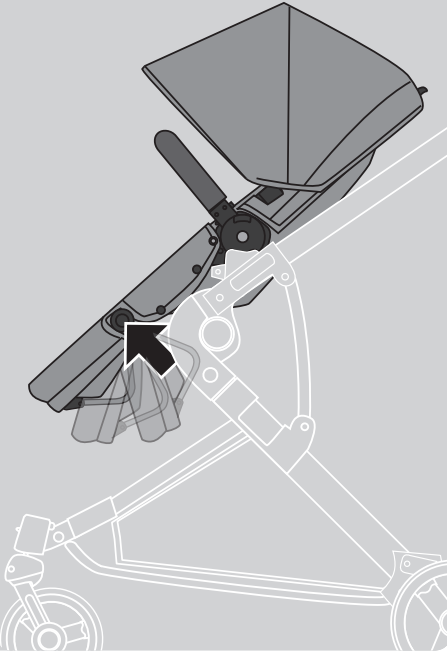
8a



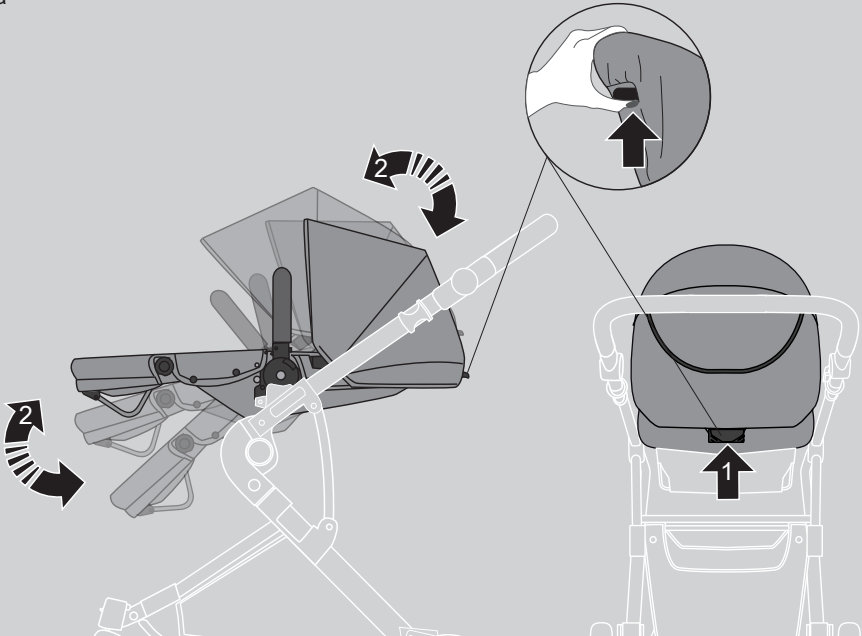
8b



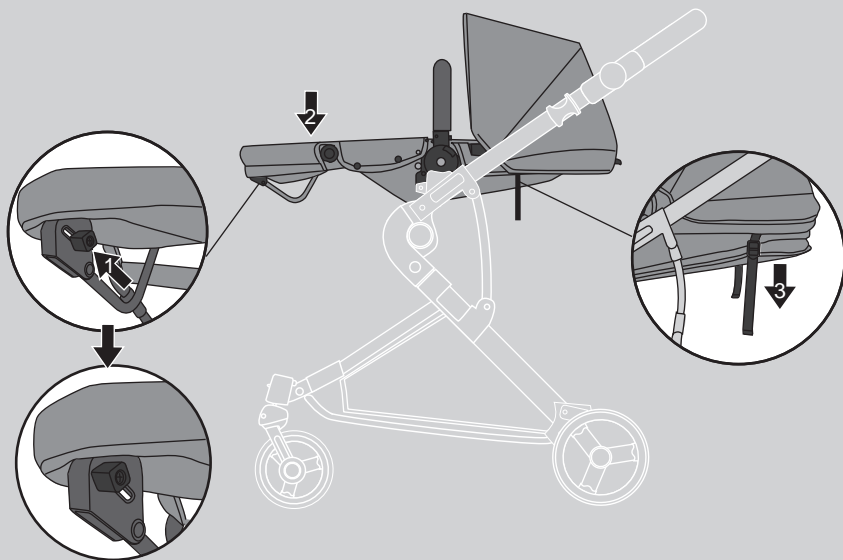
9



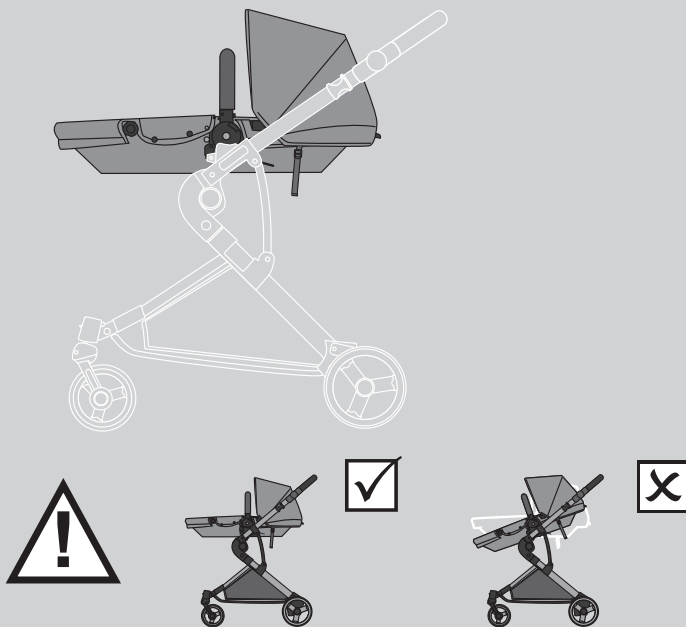
10a



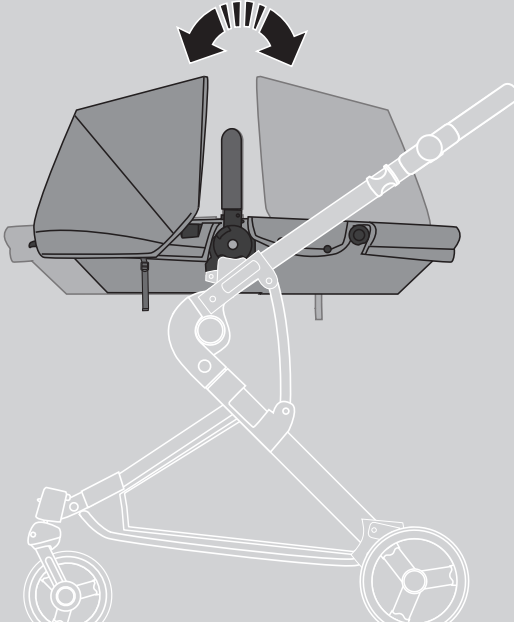
10b



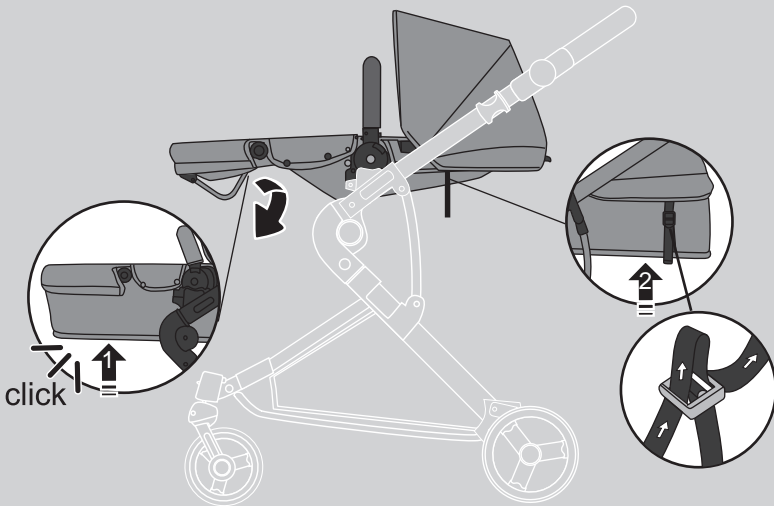
10c



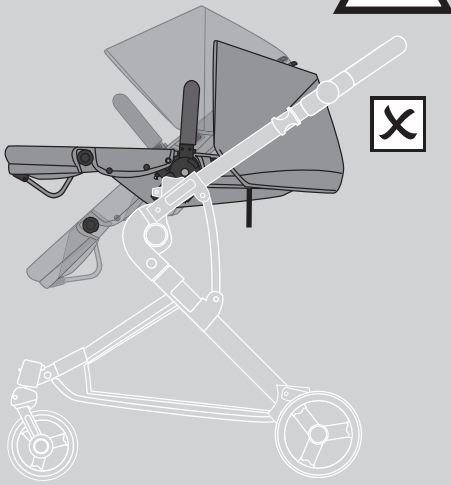
10d



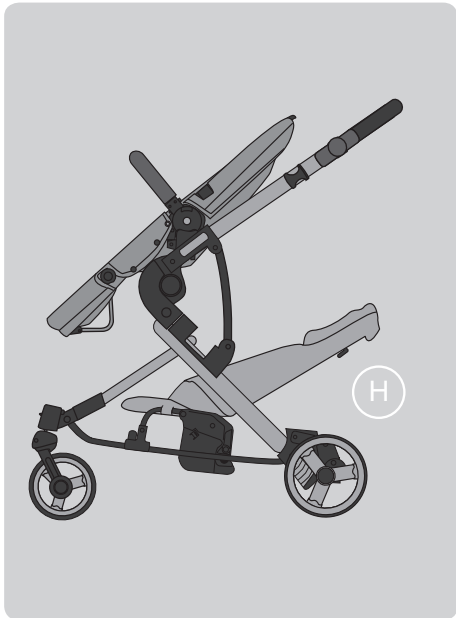
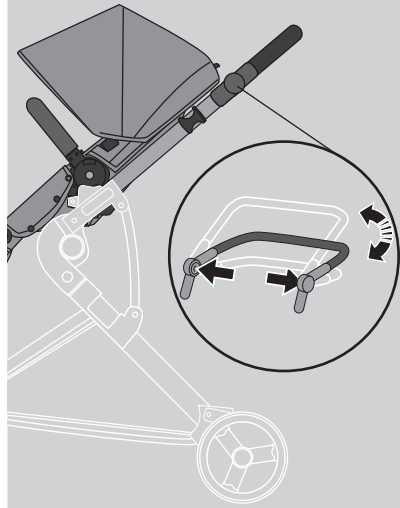
10e



11



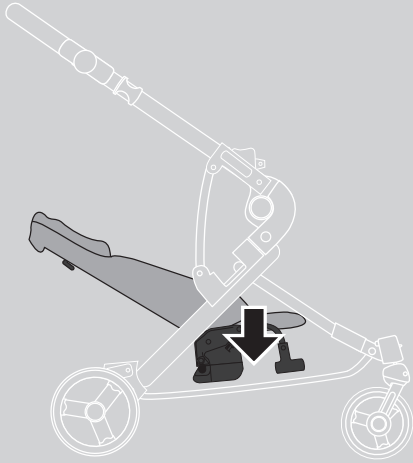
12



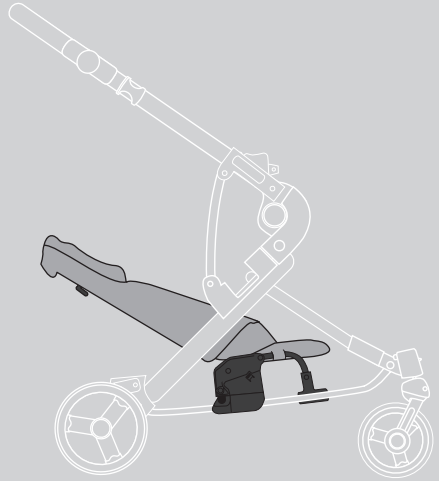
13a



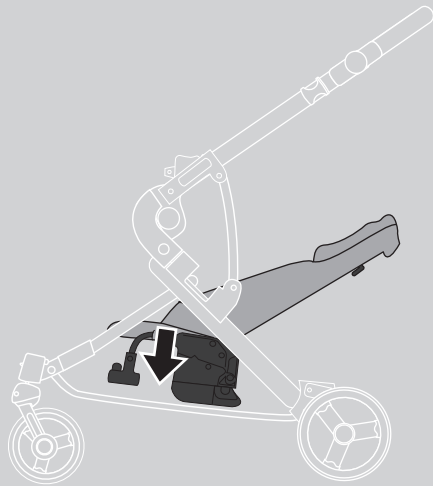
13b



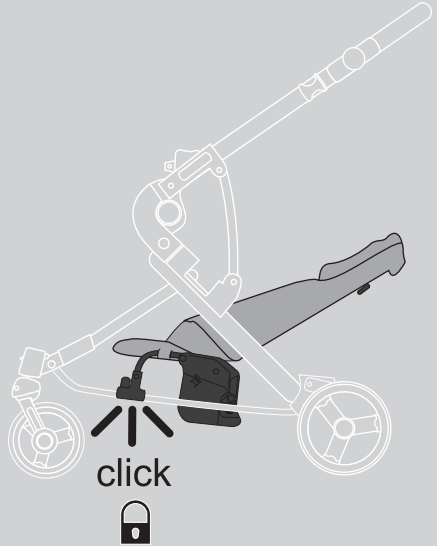
13c



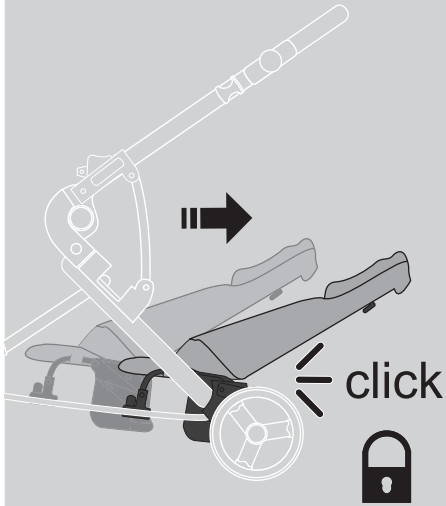
13d



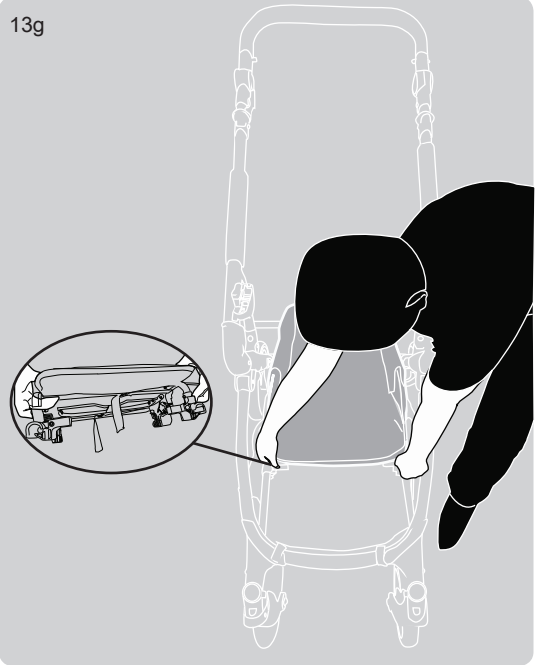
13e



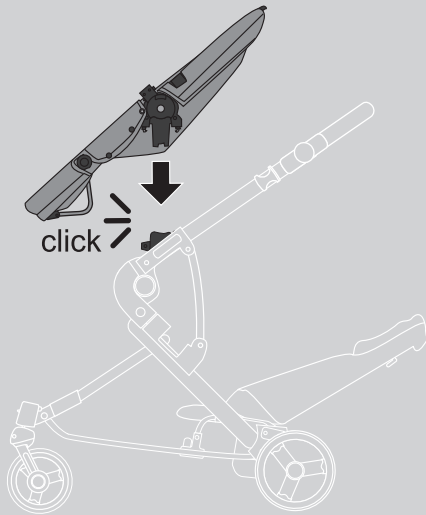
13f



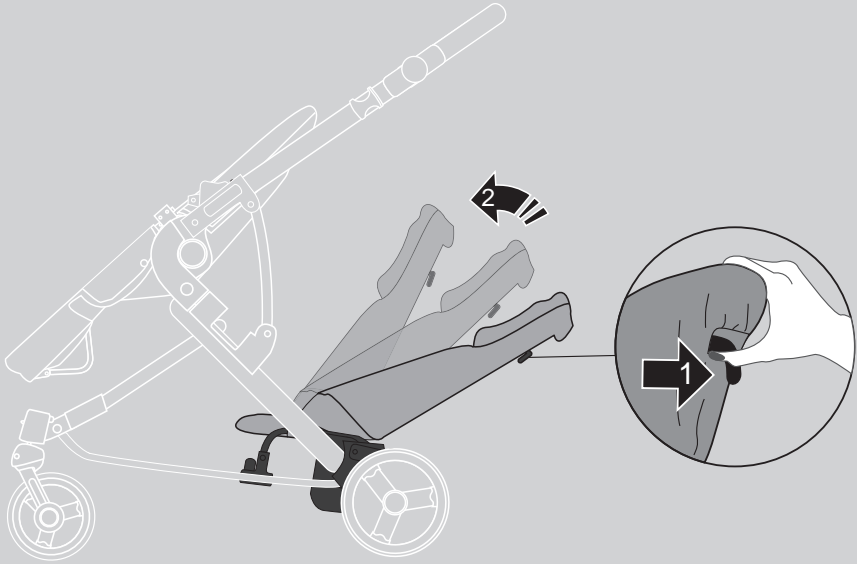
13g



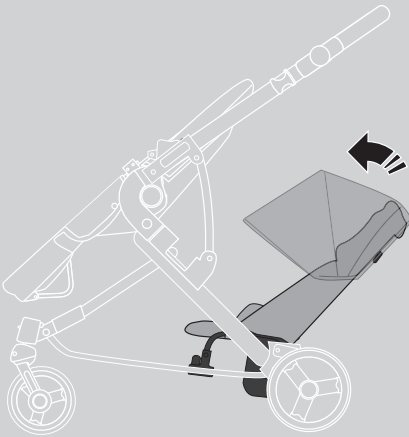
14



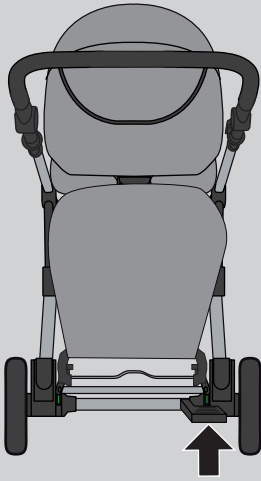
15



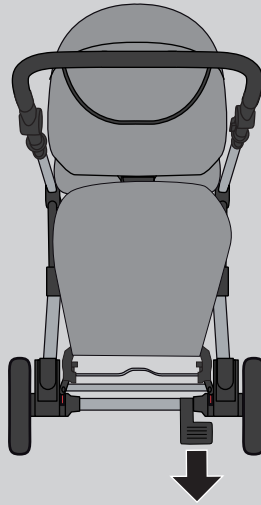
16



17

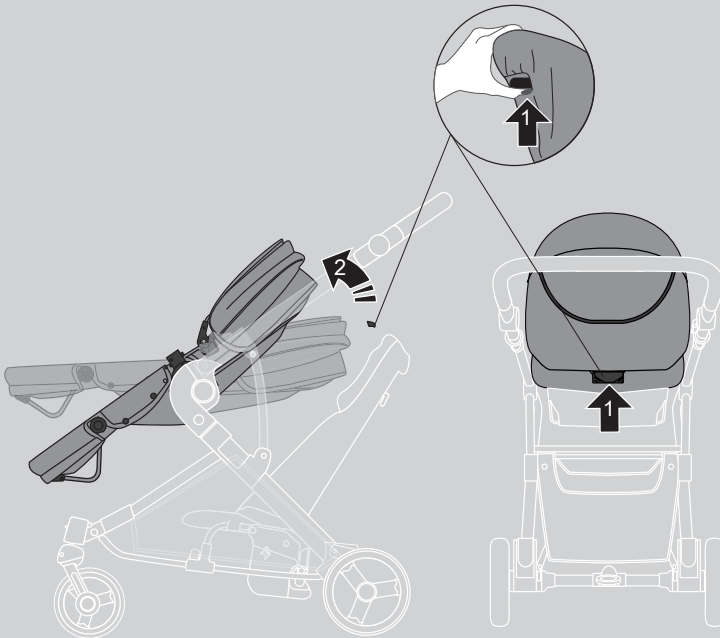


RIDE

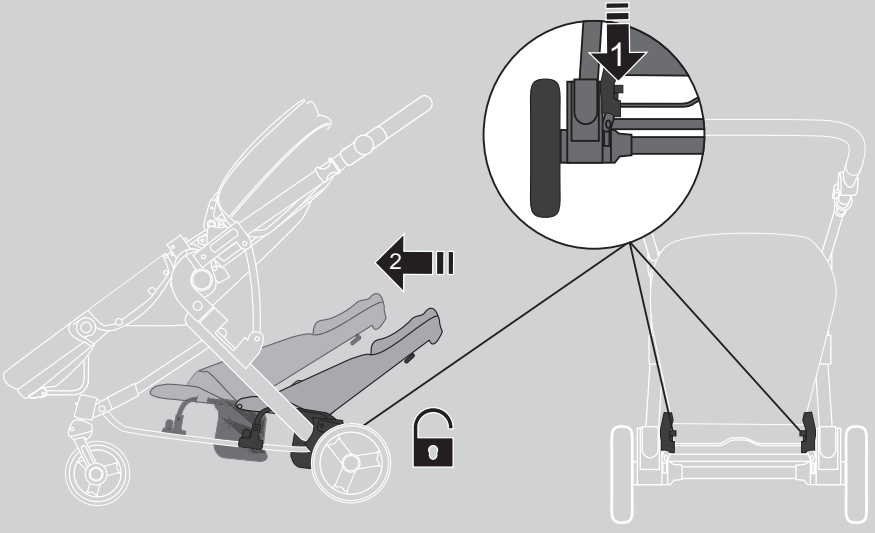


STOP

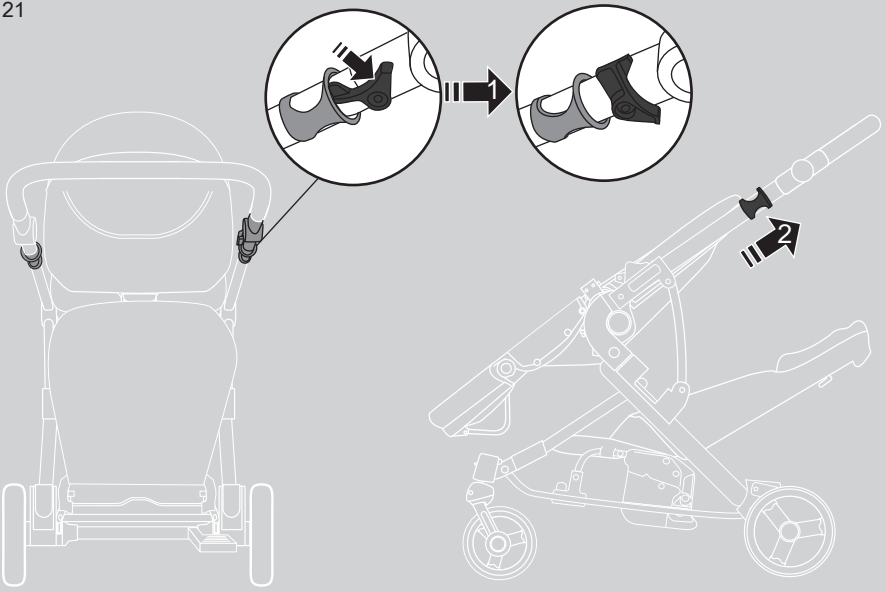
18

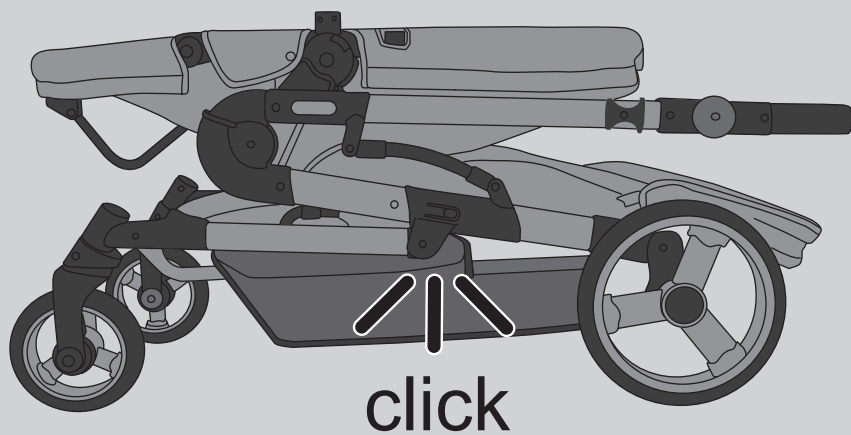


20

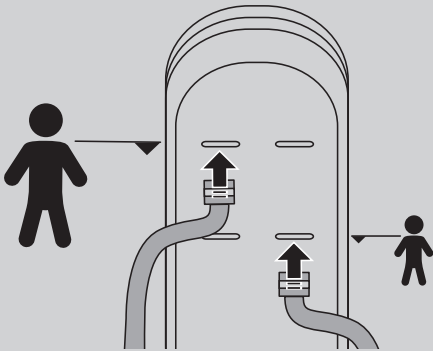


21

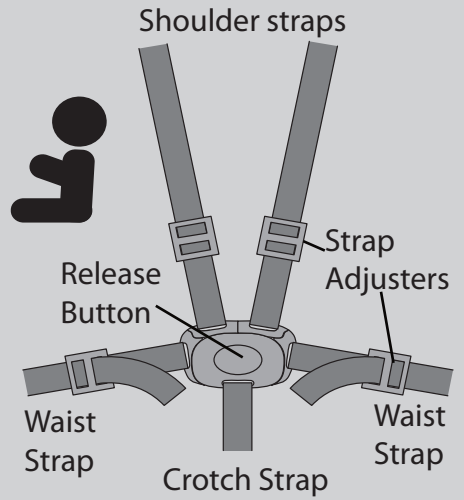




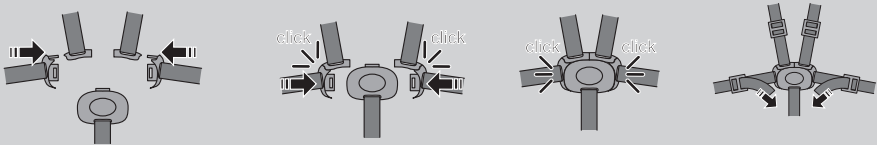
24a



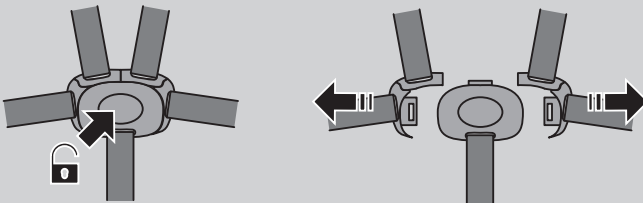
24b



24c



24d



Instructions : In words

1.Parts List

- A. Tango Frame(Chassis)
- B. 2x Front wheels
- C. 2x Rear wheels
- D. 2x Rear Mud Guards
- E. Main Seat
- F. Main Seat - Front Bar
- G. Main Seat - Canopy (Hood)
- H. Toddler Seat - (Sold Separately)

2.Unfold the Frame

2.To unfold the frame press the button located on the side of the frame at point (A). After pressing the button then raise the handle upwards.

2b. While the frame is on the floor and the stroller has been unlocked, raise the handle upwards. It should click once the handle is raised to the top. The stroller is now unfolded.

3. Attaching and using the Front wheels.

3a. To attach the front wheels, place the item (B) front wheel into the opening sockets located at the front of the Frame (A).

3b. Once the wheels are placed into the sockets they should click into place. Pull on the wheel to ensure that it is attached correctly. Repeat with the other front wheel.

3c. To lock the front wheels into the straight position, push the latch located on the front of the wheels holder downwards. To release it to swivel mode push the latch upwards. To remove the front wheel push the release button located at point 1 and then remove the wheel at point 2.

4. Attaching and using the Rear wheels.

4a. Place the rear wheels (c) into the sockets located at the rear of the frame.

4b. Push the wheels inwards until you hear them click.

4c. To remove the rear wheels, pull the lever located at point 1 on the rear wheel axle and then pull the rear wheel from the sockets on the frame.

5. Attaching the Mud Guards

5a. To attach the mudguards (D) onto the frame, place them on the top of the rear wheels, the slot them into the allocated positions of the rear wheel axel.

5b. Push the mud guards downwards until you hear them click into position. Repeat on both sides.

6. Attaching and removing the Main seat to the frame.

6a. To attach the main seat (E) onto the frame, place the seat into the desired position (front or rear facing) into the slots located on each side of the frame. Push the seat downwards until you hear it click. Pull slightly on the seat to ensure it is attached correctly.

6b. To remove the main seat from the frame, press the buttons located on the side of the seat (point 1) and then lift the seat up out of the slots (point 2)

7. How to attach and remove the front bar

7a. To attach the front bar (F) to the main seat, place the bar into the slots located on the main seat. Push it downwards until it clicks into place.

7b. To remove the front bar from the main seat, press the button (located at point 1) on both sides of the seat unit, then lift the bar upwards (point 2),

8. How to attach and use the Canopy (Hood)

8a. To attach the canopy (G), slot the ends of the canopy into the slots located at the top of the main seat. The front of the canopy should open forwards. The canopy should click into position.

8b. To use the canopy pull the front of it forwards to extend it outwards, or push it to close the canopy.

9. Using the Foot rest

9. To use the foot rest up and down press the release button located on each side of the main seat. They should click into place once the right position is chosen.

10. How to use the main seat Unit

10a. To recline the main seat, push the lever located at the top (point 1) then upwards or downwards, depending on the desired position.

10b. Seat changes to carrycot: Pull the adjust buckle of the bottom of footrest upward (Point 1), press the seat to the bottom at the same time (point 2). Adjust the webbing behind the backrest, and adjust the seat cover of backrest to horizontal position (point 3).

10c. Attention : When use as carrycot, you must place the carrycot in level, otherwise baby will be probably in danger of dropping. When use as carrycot, only baby less than 6 months is permitted using the carrycot.

Do not recline the seat once you are in bassinet mode.

10d. You can place the bassinet in the forward or rear facing position. Do not recline the seat once it is bassinet mode.

10e. Carrycot changes to seat: Push the bottom of the carrycot upward (Point 1), then adjust the webbing behind the backrest, and adjust the seat cover of backrest to the highest position (point 3).

11. Do not leave the main seat in the flat position (180 degrees) with the footrest in the upright position.

Adjust the position and the footrest before you place your child in the stroller.

12. Adjusting the Handle

12. Press two side buttons of handle bar, and adjust the handle bar to the desired height.

13. How to Attach the toddler seat

13a. To attach the toddler seat (H) to the frame please remove the main seat to give you more room to attach the toddler seat.

13b. Place the toddler seat onto the rear part of the main frame. Attach the toddler seat to the right side first.

13c. The toddler seat should then click onto the right side.

13d. Then you should start on the left hand side and align the catch from the toddler seat onto the bottom frame.

13e. Push the lever inwards to open the arm of the toddler seat to latch onto the frame. The toddler seat should then click onto the sides of the frame.

13f. Slide the toddler seat towards the rear axel. The toddler seat should then click into place. The toddler seat should now be attached to the frame.

14. You should then re-attach the main seat back onto the frame.

15. Adjusting the toddler seat backrest

15. To adjust the back rest for the toddler seat, push the lever located at the back (top of the seat)(point 1) upwards then move the seat into the desired position.

16. Using the toddler seat canopy (hood)

16. To use the canopy for the toddler seat, just push it forwards or backwards depending on the position desired.

17. How to use the brakes

17. To unlock the brakes for the stroller, kick the red brakes on the back of the stroller upwards.

To Apply the brakes, push the red lever downwards. You will not be able to move the stroller.

18. Adjusting the Main seat

18. To adjust the position of the seat, use the lever located at the top of the main seat (point 1), push the lever upwards and then move the seat upwards or downwards as required (point 2).

19. Adjusting the toddler seat.

19. To adjust the position of the toddler seat, use the lever located at the top/back of the toddler seat (point 1).

Push the lever then move the seat up or down.

Warning: The toddler seat can not be adjusted to be over 150 degrees. The toddler seat should only be adjusted over 150 degrees when folding.

20. Removing the toddler seat

20. Recline the toddler seat as far back as possible, then press the toddler seat release button located at point 1, and then push the seat backwards then lift the seat from the holders. Make sure there isnt any toddlers in the seat when the seat is being removed.

21. How to Fold the stroller

21. Press the red second-lock button on the right handle tube. Release the second lock (Point 1), pull the folding sliding cover of two sides of the handle tube upward (point 2).

22. You can leave the toddler seat on the frame when you fold it but it must be reclined over 150 degrees. Once the stroller is folded downwards it should click once it is locked into place.

23. How to use the Harness

23a. For newborns or smaller children you should use the lower height position on the seat units. You can change the position of the height of the harness by threading the harness through the seat. As the child gets taller you should use the top position.

23b. The installed 5-point harness should look like this.

23c. Carefully place your child into the seat and bring the waist straps around the child's waist and over the child's shoulders. Place the crotch strap between your child's legs. Tighten the harness to be snug around the child's waist and over its shoulders. Attach each of the shoulder straps to the waist strap buckle with each end. Repeat this for both sides. The straps should click onto each other. Once each shoulder strap is attached on the waist buckle insert the waist strap end to the crotch strap buckle. Repeat on both sides. You can then adjust the straps further if required.

23d. To release the harness squeeze the centre of the crotch strap buckle to release all straps.

 **WARNING**

USE THIS HARNESS AT ALL TIMES

 **WARNING**

**WHEN NOT IN USE DISCONNECT SHOULDER STRAPS
FROM THE WAIST STRAP AND/OR BUCKLE**

24. Attaching the tether strap.

24. To attach the tether strap, loop it over the handle. Open the end of the tether strap hanging over the handle and insert the opposite end through the opening created. Pull until the tether strap is tightened around the handle. Place the loop over the desired wrist using the stroller. If you need to change the wrist, loosen the tether strap and slide to the desired side of the handle.

 **WARNING**

**USE THIS STRAP TO STOP THE
STROLLER ROLLING AWAY**

WARRANTY AGAINST DEFECTS

ALL Pocholin baby products are guaranteed for twelve months from the date of purchase.

Our goods come with guarantees that cannot be excluded under the Australian Consumer Law. You are entitled to a replacement or refund for a major failure and for compensation for any other reasonably foreseeable loss or damage. You are also entitled to have the goods repaired or replaced if the goods fail to be of acceptable quality and the failure does not amount to a major failure.

This covers against faults which develop through faulty materials and workmanship. Misuse, accidental damages, normal wear and tear or neglect are not covered.

If a fault becomes apparent, please return the item to the store of purchase with your receipt. You must inform the store what the defect is. We will then arrange for its repair or it will be assessed for replacement as expediently as possible. The benefits of this warranty are in addition to other rights and remedies under the law in relation to the goods and services to which this warranty relates.