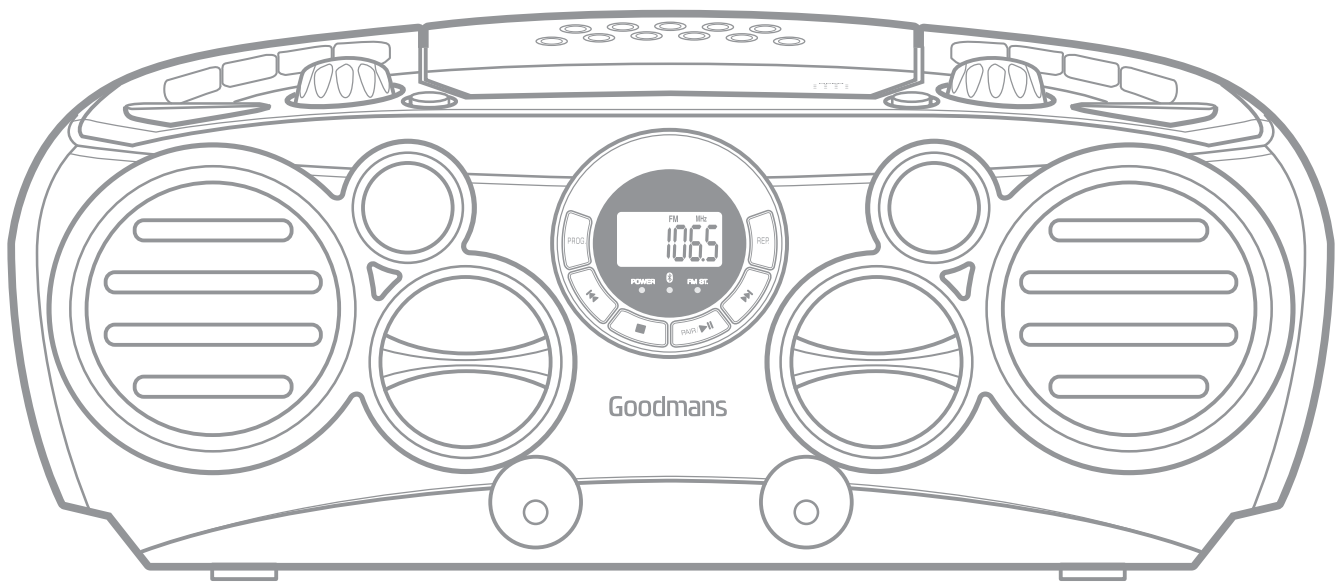


CD BOOMBOX



MODEL: GPS04BLK

USER MANUAL



Goodmans

1 Welcome



2 Your CD Boombox

- 2.1 In The Box
- 2.2 Front View
- 2.3 Top View

- 2.4 Rear view
- 2.5 Control panel

3 Quick Setup

- 3.1 Power On/Off and Function Selection
- 3.2 Standby & Auto Standby
- 3.3 Adjusting the Volume
- 3.4 Bass Enhancement
- 3.5 Fitting Batteries
- 3.6 Connecting Earphones

4 Operation

CD Operation

- 4.1 Load a Disc
- 4.2 Play a Disc
- 4.3 Skip Tracks And Search For A Specific Point To Play
- 4.4 Programmed Play
- 4.5 Repeat Single/All Track(s)

Radio Operation

- 4.6 Tuning a Station

Aux-In Mode

- 4.7 Aux In Mode

Bluetooth Operation

- 4.8 Pairing a Bluetooth Device
- 4.9 Operating a Connected Device

5 Troubleshooting

6 Technical Specifications

7 Customer Support

1 Welcome



Thank you for choosing this Goodmans product. We've been making electronics for the British people for 70 years. Each of our projects has been carefully designed to be great at what it does and this one is no exception. We hope you enjoy your new CD Boombox.

2 Your CD Boombox

2.1 In The Box

Carefully remove your CD Boombox from the packaging.

Inside the box you will find:

- CD Boombox
- Mains Power Supply Lead
- Quick Start Guide
- Guarantee Booklet

If any of these items are missing, contact customer support.
Visit: www.goodmans.co.uk/support



Mains Power

Your CD Boombox requires a mains supply of 230-240V AC ~ 50Hz. Please ensure that your mains supply is compatible before use. Disconnect the Power Cord from the mains when not in use.

Position of CD Boombox

Place on a flat, stable surface that is not subject to vibrations. Avoid the following locations:

- Where it is exposed to direct sunlight
- Where it is close to heat radiating sources
- Where the humidity is high and ventilation is poor
- Where it is dusty

Adjusting the Antenna

Fully extend the antenna to ensure good reception in both AM and FM Radio modes. It may be necessary to alter the position of the CD Boombox and/or the antenna to achieve the best signal.

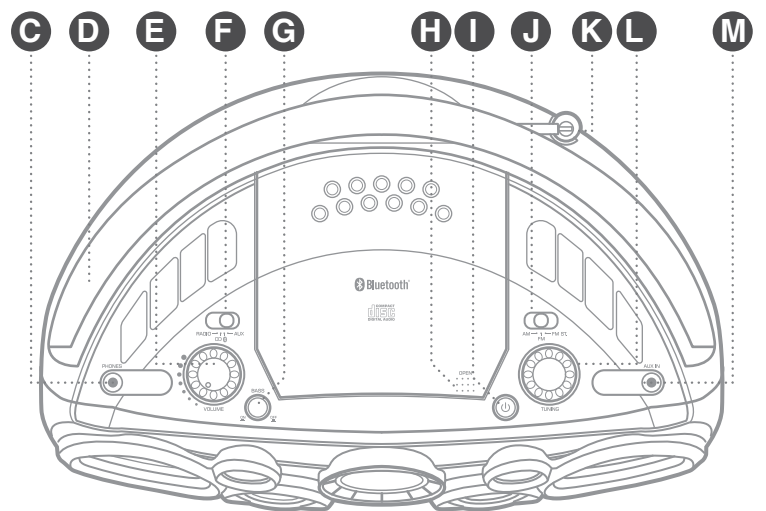
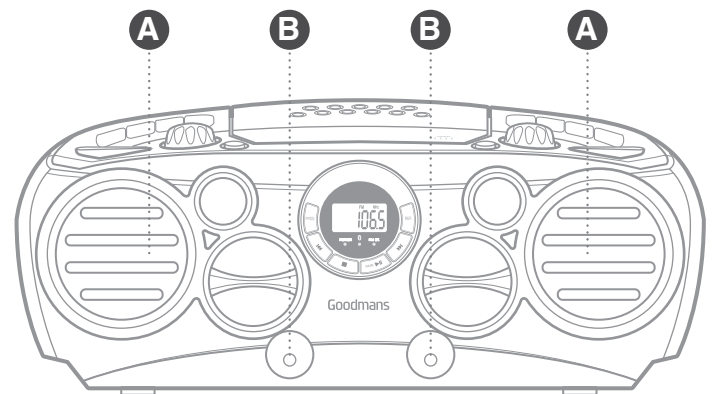


2.2 Front View

- A SPEAKERS.** Stereo speakers.
- B BASS PORTS.** Bass pressure release ports.

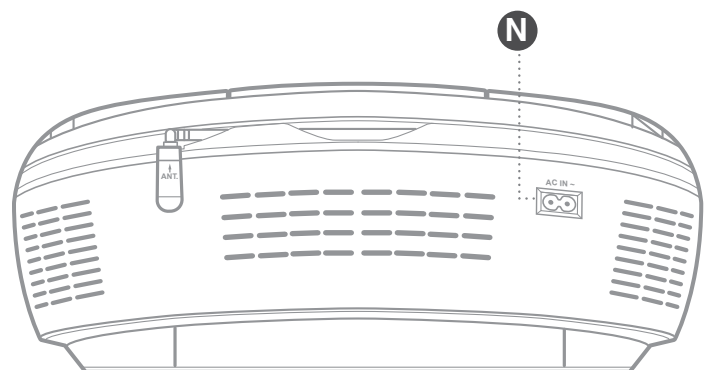
2.3 Top View

- C PHONES output.** Connect earphones to this socket.
- D Carry handle.**
- E VOLUME control.** Rotate to increase or decrease the volume output.
- F FUNCTION switch.** Enable RADIO / CD /Bluetooth or AUX functions.
- G BASS button.** Press to enhance the bass output.
- H CD compartment.** Press 'OPEN' to release the CD compartment lid.
- I STANDBY button.** Press to wake or enter STANDBY mode.
- J RADIO BAND switch.** Set the radio band from AM, FM or FM STEREO.
- K Telescopic antenna.** Extend for the best radio reception.
- L RADIO TUNING control.** Rotate to scan up or down the selected band frequencies.
- M AUX INPUT socket.** Connect external audio sources with a 3.5mm audio cable.



2.4 Rear View

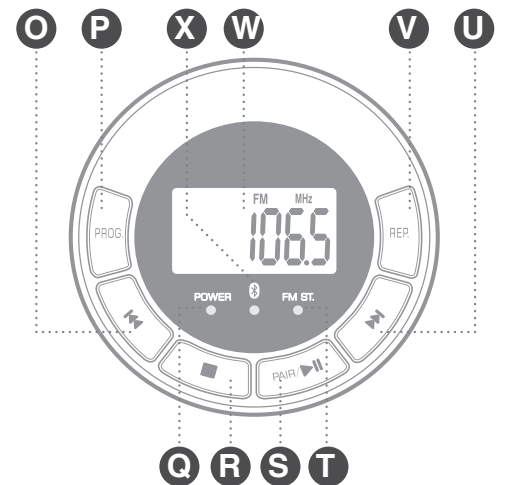
- N AC mains input socket.** Connect the mains cable to this socket.





2.5 Control Panel

- O** **◀◀ button.** Press to skip to previous CD tracks. Press and hold to fast rewind CD tracks.
- P** **PROG button.** Press to enable program function.
- Q** **POWER LED.** This will illuminate when the power is on.
- R** **■ button.** Press to stop playback of a CD.
- S** **PAIR/▶/|| button.** In CD mode press to Play or Pause playback of a CD. In Bluetooth mode press to initiate the pair function.
- T** **FM STEREO LED.** Illuminates when a station is tuned in the FM STEREO mode.
- U** **▶▶ button.** Press to skip to next CD track(s). Press and hold to fast forward CD tracks.
- V** **REP button.** Press repeatedly to toggle the repeat functions.
- W** **LCD DISPLAY.** Displays all current information relative to the mode selected.
- X** **BLUETOOTH LED.** Indicates the status of a bluetooth connection.

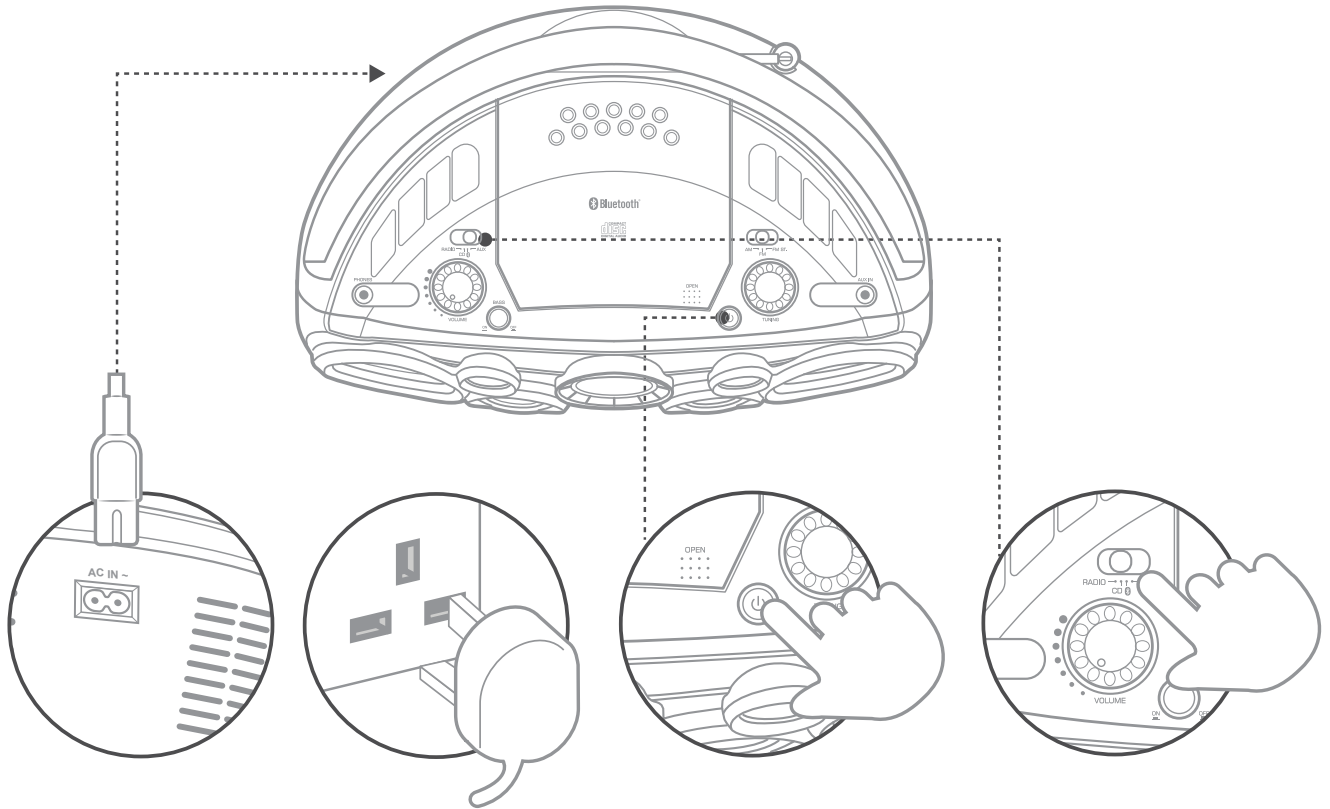


3 Quick Setup



3.1 Power On/Off and Function Selection

1. This CD Boombox is supplied with a mains cable.
To connect the power insert the figure 8 shaped end in the rear of the unit (N).
2. Insert the UK plug into a household power socket, and switch the power on.
3. Press the STANDBY button (I) to wake from Standby mode
4. Set the FUNCTION switch (F) to either RADIO /CD /Bluetooth or AUX.



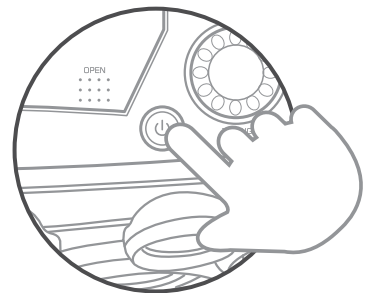
3.2 Standby & Auto Standby

1. Press the STANDBY button (I) to wake from Standby mode.
2. Press the STANDBY button (I) again to enter Standby mode.



Due to new ECO regulation requirements this product incorporates a power saving feature.

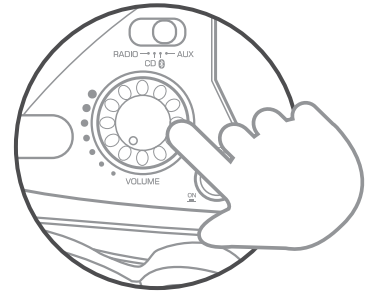
3. When in CD, Bluetooth or AUX mode, once audio playback has ceased and the unit has stood idle for approximately 15 minutes, it will switch into a 'power-down' power saving mode.
4. To wake the unit up, press the STANDBY button (I).





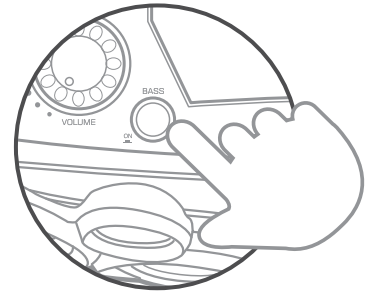
3.3 Adjusting the Volume

Rotate the volume control (E) clockwise or anti-clockwise to increase or decrease the volume output.



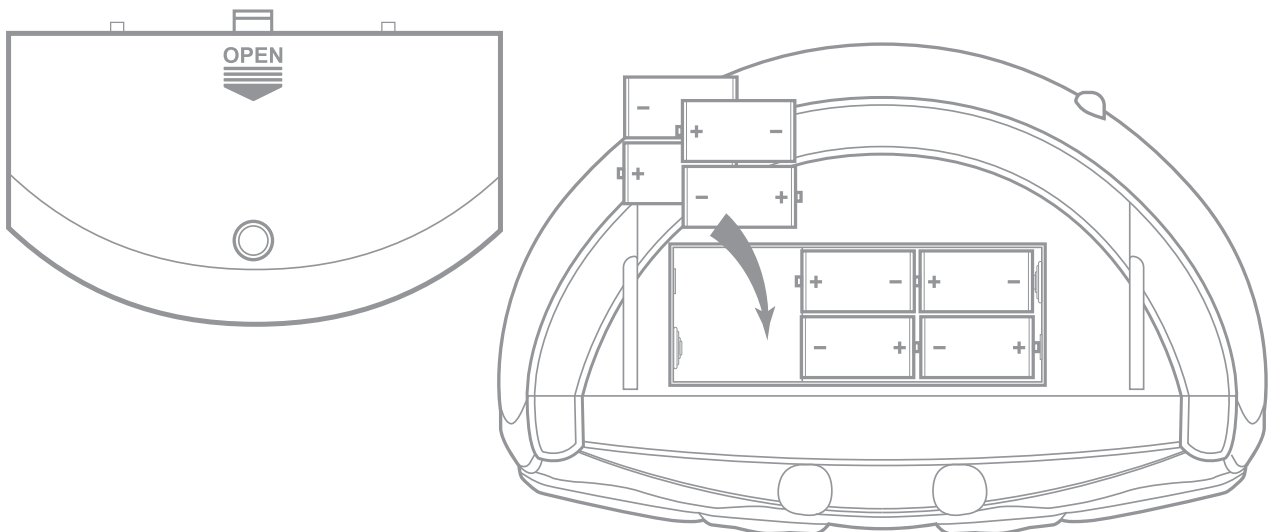
3.4 Bass Enhancement

Press the BASS button (G) to increase the bass output. Press again to reduce.



3.5 Fitting Batteries

1. Open the battery compartment on the bottom of the unit by pressing down on the OPEN symbol and sliding in the direction of the arrow (see diagram below).
2. Insert 8 x D size batteries taking care to match the + & - polarity symbols correctly.
3. Replace the battery compartment cover.



The mains cable must be detached from the AC socket of the player for the batteries to power the unit.

Leaking batteries may damage the battery cabinet and the player as a whole. If you are not going to use the CD Boombox for an extended period, please remove the batteries to avoid damage.

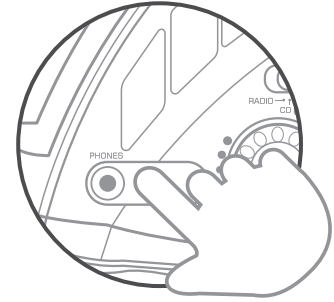
Caution: Danger of explosion if battery is incorrectly inserted. Replace only with the same or equivalent type.



3.6 Connecting Earphones

i You will require a 3.5mm adapter if your earphones / headphones do not have this size plug.

Connect the 3.5mm jack into the PHONES output socket (C) on the left of the unit.



- i**
- Listen at moderate volumes to avoid hearing damage.
 - If you hear no sound during playing, do not turn the volume up as the music may suddenly begin at a high volume.
 - Excessive sound pressure from earphones and headphones can cause hearing loss.
 - To avoid damaging your ears, adjust the volume to the lowest safe level before playing, and turn up to the desired level when playback has started.

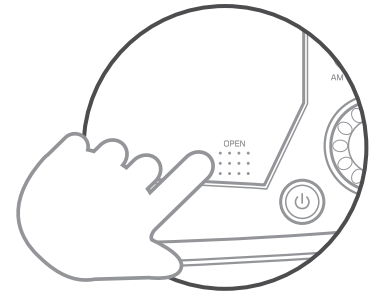
4 Operation



CD Operation

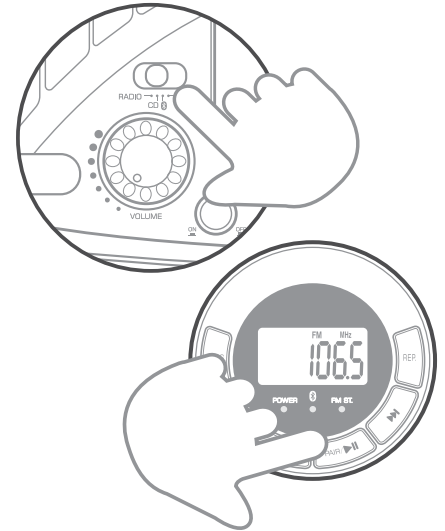
4.1 Load a Disc

1. Open the CD lid using the OPEN button (H).
2. Load a disc onto the disc tray with the label side facing up.
3. Close the CD door.



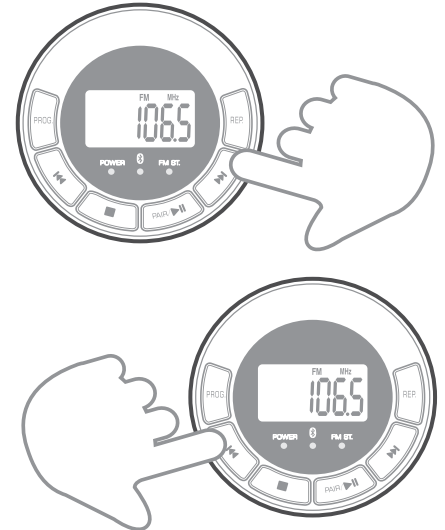
4.2 Play a Disc

1. Slide the FUNCTION (F) switch to the CD position.
2. Follow the steps above to load a disc (if not already loaded).
3. The player begins to read the disc immediately.
4. When the disc is successfully read, the total number of tracks on the disc will appear on the LED display (D).
5. Press the PAIR/▶||| button (S) once to begin playback. Press the button again to pause the music playback. The play symbol '▶' flashes to indicate the player is in Pause mode; press the ■ button (R) to cease music playback. The LED shows the total number of tracks again.



4.3 Skip Tracks And Search For a Specific Point To Play

1. Press the ▶▶ button (U) once during playback to skip to the next track. To skip to a specific track ahead, press this button several times until you reach the track number required.
2. Press the ◀◀ button (O) once during playback to return to the beginning of the current track. Press this button twice repeatedly to skip to the previous track. To skip back to a specific track, press this button several times.
3. Hold the ▶▶ button (U) during playback to fast forward the current track.
4. Hold the ◀◀ button (O) during playback to fast rewind the current track.

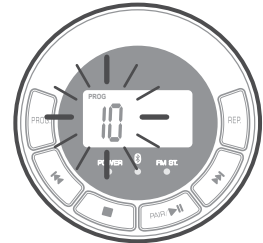
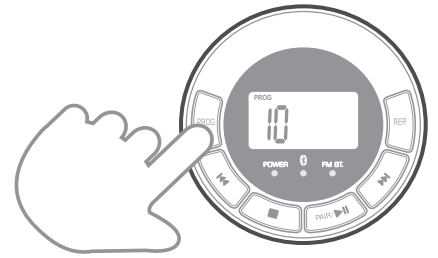




4.4 Programmed Play

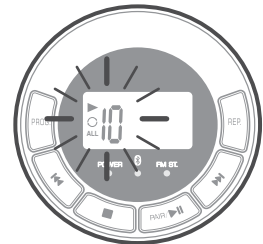
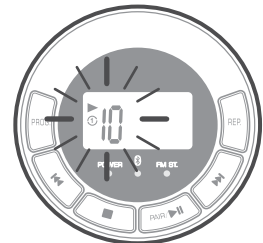
To program an alternative playback order of up to 20 tracks follow the below steps.

1. Make sure the unit is not playing a disc.
2. Press the PROG. button (P) once. The program sequence “00” flashes on the LCD display.
3. Select the first track to be programmed using ►► / ◀◀ (U, O) buttons.
4. Press the PROG. button (P) again to store and advance to the next programmed track. The program sequence indication changes to “02” momentarily waiting for your next input.
5. Repeat the steps above to program more tracks. A maximum of 20 tracks can be programmed.
6. Press the ►/|| button (B) to begin the programmed playback in the preferred order. The PROG indicator appears in the top left of the LCD display.
7. You can press the ■ button (F) twice to terminate the programmed playback or switch to a different input mode.



4.5 Repeat Single/All Track(S)

1. During playback press the REP. button (V), you will see the repeat once icon ‘①’ on the left of the LCD display. This indicates the current track will repeat until the ■ button (R) is pressed.
2. During playback press the REP. button (V) twice, you will see the repeat all icon ‘Ⓞ & ALL’ on the left of the LCD display. This indicates that all the tracks of the current disc will repeat until the ■ button (R) is pressed.
3. To turn off the REPEAT function press the REP. button (V) until the repeat icons disappear or press the ■ button (R).





Radio Operation

4.6 Tuning a station

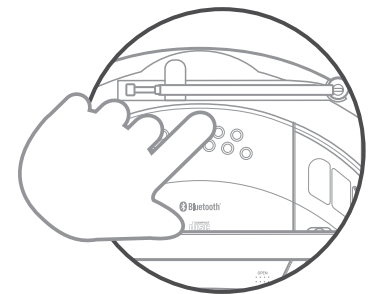
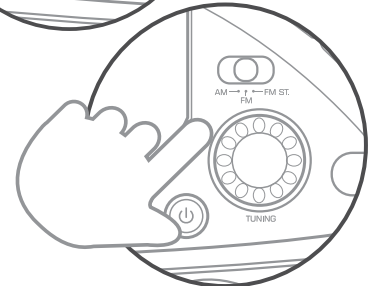
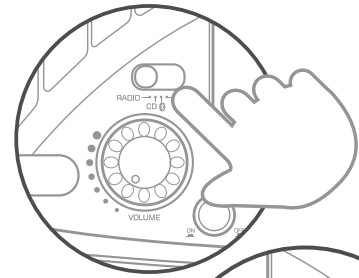
1. Slide the FUNCTION (F) switch to the RADIO position.
2. Set the required band with the BAND selection switch (J). To listen to an FM station in stereo set the FUNCTION switch to FM ST.
3. Tune the station by rotating the TUNING control (L).
4. The built-in AM antenna and external FM telescopic antenna are directional.



When receiving an FM broadcast, fully extend the telescopic antenna and angle it for the best reception.

For AM broadcasts, vary the position of the unit until the best reception is located.

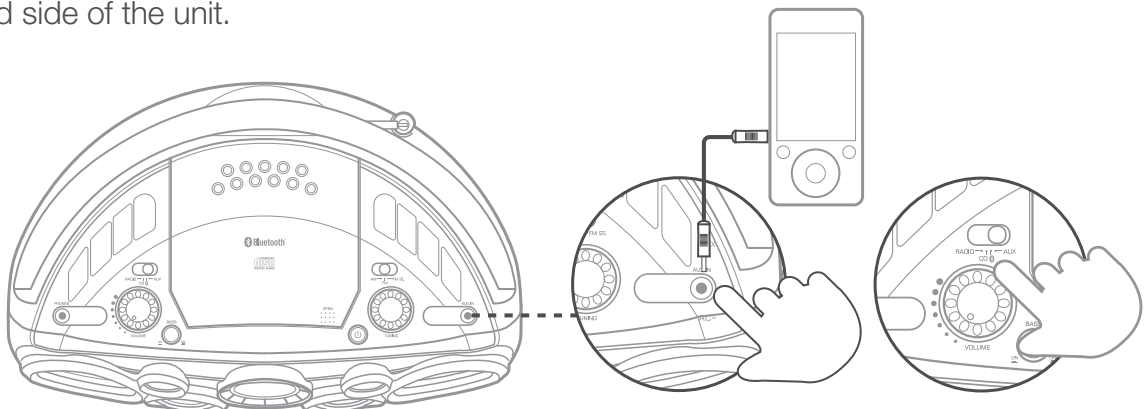
5. Adjust the volume to a comfortable listening level using the VOLUME control (E).



4.7 Aux In Mode

It is possible to connect an external audio source like an MP3 player using a 3.5mm audio cable (not supplied).

1. Connect one end of the cable to the MP3 player headphone output and the other end to the AUX input (M) on the right hand side of the unit.



1. Slide the FUNCTION (F) switch to the AUX position.
2. Press ►/|| on the external audio source EG:-MP3 player.




The volume output is affected by the volume level on the source EG: MP3 player so make sure that is set to about 70-80% (not too loud to avoid distortion).

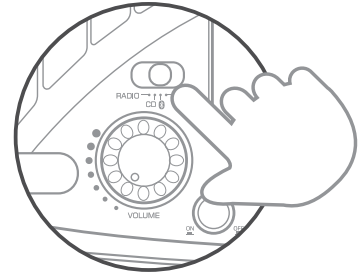
3. Adjust the VOLUME control (E) on the unit to the required listening level.



Bluetooth Operation

4.8 Pairing a Bluetooth Device

1. Slide the FUNCTION (F) switch to the  (bluetooth) position.
2. After entering Bluetooth mode the blue LED will flash to indicate the Boombox is in pairing mode, with no device connected.
3. Enable Bluetooth on your audio device and search for available bluetooth connections. Select the GPS04BLK from the list. If you are asked for a pass code enter '0000'.



If you turn off either device before pairing is complete the process will need to be repeated when powered on again. If you do not see 'GPS04BLK' press & hold the PAIR/▶/|| button (S) to re-initiate pairing mode.

4. Once paired the blue LED will stop flashing & the paired audio indicator melody will be heard.



Each time you switch the Boombox on and select Bluetooth mode the device will automatically connect, unless you have un-paired the device.

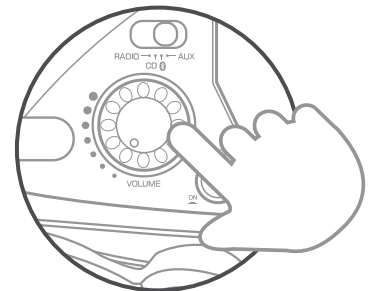
5. You can now begin playback from the audio device and the output will playback through the Boombox.

Should you wish to un-pair a connected device and connect another, press & hold the PAIR/▶/|| button (S). When the pairing mode is initiated a different audio indicator melody will be heard.



The volume output is effected by the volume level on the audio source EG: Phone or laptop, so make sure that is set to about 70-80% (not too loud to avoid distortion).

Adjust the VOLUME on the unit to the required listening level.



4.9 Operating a Connected Device

Once paired you can control some playback functions from the remote control.

- **PAIR/▶/|| button.** Press to Play or Pause playback of a paired Bluetooth device.
- **◀◀ button.** Press to skip to the previous track of a paired Bluetooth device.
- **▶▶ button.** Press to skip to the next track of a paired Bluetooth device.



5 Troubleshooting



Problem	What to do
No Power	<p>Check the mains plug is connected to the wall socket. Switch the wall socket ON.</p> <p>Press the STANDBY button (I) to wake from Standby mode.</p>
No sound from the CD	<p>The volume level is too low. Increase using the volume control (E).</p>
No sound from an AUX input	<p>The volume level is too low. Increase using the volume control.</p> <p>The external audio source volume is too low, increase the volume level.</p>
The sound is distorted	<p>Reduce the CD boombox volume level using the volume control (E).</p>
The sound is distorted from an AUX input	<p>The external audio source volume is too high, decrease the volume level.</p>
Unable to play a CD	<p>Check there is a disc present in the CD compartment.</p> <p>Remove and re-insert the CD with the label side facing upwards.</p> <p>Clean the disc, it may be dirty. If scratched try another disc.</p>
Static sound when listening to the radio	<p>This is caused by poor reception. Re-locate the antenna or if that fails try moving the CD boombox to a different location.</p>
No sound from the Bluetooth input	<p>Check the external device is paired correctly.</p> <p>The external audio source volume is too low, increase the volume level.</p>

6 Technical Specification



Model Number	GPS04BLK
Power Supply	AC 230 ~ 50 Hz DC 12V UM-1/'D' size x 8pcs
Speaker Output Power	5W x 2 (RMS)
Speaker Impedance	8 Ohms
Frequency Range	FM: 87.5-108MHz AM: 522-1620KHz
Supported Disc Types	CD-DA.CD-R/CD-RW
Max Power Consumption	AC 46W
Dimensions	160mm (H) x 385mm (W) x 250mm (D)

7 Customer Support

Our customer service team is available for technical or guarantee support. Visit www.goodmans.co.uk/support