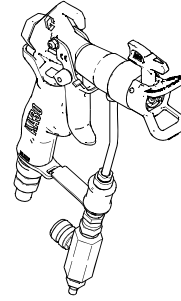


AA30 Air Assisted Spray Gun

Models: 257096, RAC Tip; 257380, Flat Tip

Maximum Working Pressure: 3600 psi (248 bar, 24.8 MPa)

Maximum Air Working Pressure: 100 psi (7 bar, 0.7 MPa)



ti12849a



Important Safety Instructions

Refer to your sprayer instruction manual for Pressure Relief and spray instructions. Keep these instructions.

313347C

- For the application of architectural paints and coatings -

The following Warnings are for the setup, use, grounding, maintenance and repair of this equipment. The exclamation point symbol alerts you to a general warning and hazard symbols refer to procedure-specific risks. Refer back to these Warnings. Additional, product-specific warnings may be found throughout the body of this manual where applicable.

WARNINGS



SKIN INJECTION HAZARD

High-pressure fluid from gun, hose leaks, or ruptured components will pierce skin. This may look like just a cut, but it is a serious injury that can result in amputation. **Get immediate surgical treatment.**

- Do not point gun at anyone or at any part of the body.
- Do not put your hand over the spray tip.
- Do not stop or deflect leaks with your hand, body, glove, or rag.
- Do not spray without tip guard and trigger guard installed.
- Engage trigger lock when not spraying.
- Follow **Pressure Relief Procedure** in this manual, when you stop spraying and before cleaning, checking, or servicing equipment.



FIRE AND EXPLOSION HAZARD

Flammable fumes, such as solvent and paint fumes, in **work area** can ignite or explode. To help prevent fire and explosion:

- Use equipment only in well ventilated area.
- Eliminate all ignition sources; such as pilot lights, cigarettes, portable electric lamps, and plastic drop cloths (potential static arc).
- Keep work area free of debris, including solvent, rags and gasoline.
- Do not plug or unplug power cords, or turn power or light switches on or off when flammable fumes are present.
- Ground all equipment in the work area. See **Grounding** instructions.
- Use only grounded hoses.
- Hold gun firmly to side of grounded pail when triggering into pail.
- If there is static sparking or you feel a shock, **stop operation immediately**. Do not use equipment until you identify and correct the problem.
- Keep a working fire extinguisher in the work area.



EQUIPMENT MISUSE HAZARD

Misuse can cause death or serious injury.

- Do not operate the unit when fatigued or under the influence of drugs or alcohol.
- Do not exceed the maximum working pressure or temperature rating of the lowest rated system component. See **Technical Data** in all equipment manuals.
- Use fluids and solvents that are compatible with equipment wetted parts. See **Technical Data** in all equipment manuals. Read fluid and solvent manufacturer's warnings. For complete information about your material, request MSDS forms from distributor or retailer.
- Check equipment daily. Repair or replace worn or damaged parts immediately with genuine manufacturer's replacement parts only.
- Do not alter or modify equipment.
- Use equipment only for its intended purpose. Call your distributor for information.
- Route hoses and cables away from traffic areas, sharp edges, moving parts, and hot surfaces.
- Do not kink or over bend hoses or use hoses to pull equipment.
- Keep children and animals away from work area.
- Comply with all applicable safety regulations.



PRESSURIZED ALUMINUM PARTS HAZARD

Do not use 1,1,1-trichloroethane, methylene chloride, other halogenated hydrocarbon solvents or fluids containing such solvents in pressurized aluminum equipment. Such use can cause serious chemical reaction and equipment rupture, and result in death, serious injury, and property damage.

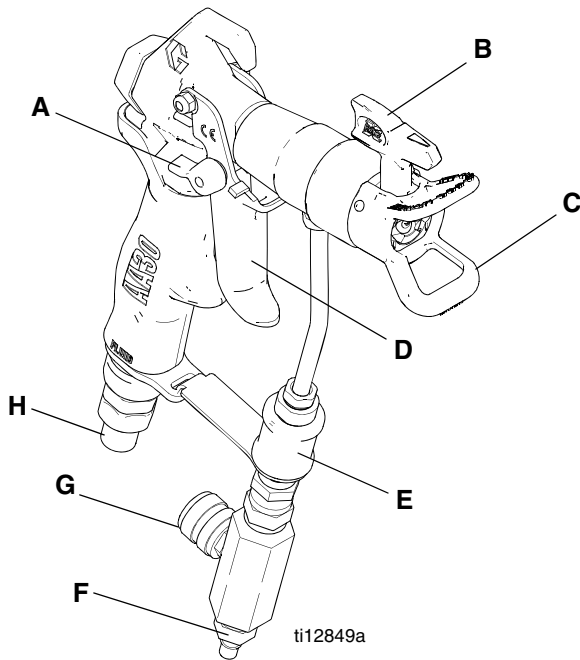


PERSONAL PROTECTIVE EQUIPMENT

You must wear appropriate protective equipment when operating, servicing, or in the operating area of the equipment to help protect you from serious injury. This equipment includes but is not limited to:

- Protective eyewear and hearing protection
- Gloves, clothing and respirator as recommended by the fluid and solvent manufacturer

Component Identification



ID	Component	ID	Component
A	Trigger lock	E	Air on/off valve
B	Spray Tip	F	Air hose connection
C	Safety RAC guard	G	Air adjustment valve
D	Trigger	H	Fluid hose connection

Pressure Relief Procedure



Follow this Pressure Relief Procedure whenever instructed to relieve pressure, stop spraying, check or service equipment, or install or clean spray tip.

1. Turn OFF power and turn sprayer pressure control to lowest pressure setting.
2. Hold gun against side of grounded metal flushing pail. Trigger gun into pail to relieve pressure.

If you suspect spray tip or hose is clogged or that pressure has not been fully relieved after following the steps above, VERY SLOWLY loosen tip guard retaining nut or hose end coupling to relieve pressure gradually, then loosen completely. Clear hose or tip obstruction.

Trigger Lock

⚠ WARNING

To prevent injury when gun is not in use, always set gun trigger lock (A) if sprayer is turned off or left unattended.



Setup

⚠ WARNING

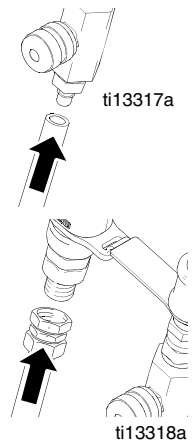
Make sure sprayer is turned off and unplugged from power source. Refer to your sprayer instruction manual for priming and spray instructions.

Connect Gun to Sprayer

1. Attach air hose.

NOTE: The first time you set up the gun for spraying you will have to cut the black air hose to length desired.

2. Attach fluid hose.
3. See Setup instructions in sprayer operation manual (313316).



Tip and Guard on Gun



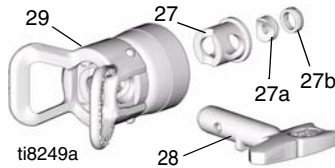
AA30 Gun with RAC Tip (257096)

1. Relieve pressure, page 2.

2. Insert seat housing (27) into guard (29).

3. Insert SwitchTip (28).

4. Insert seal (27b) over seat (27a) and insert in seat housing (27). Use black seal for water-based materials and orange for solvent and oil-based materials.



NOTICE

If air cap is not fully installed on gun, fluid pressure can force paint into air line and damage sprayer.

5. Install guard (6) over end of gun. Hand tighten firmly to ensure a good seal.

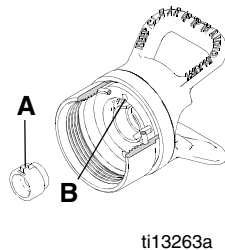
6. Replace seat (33a) and/or retighten guard nut if you notice fluid leaking from front of gun.

AA30 Gun with Flat Tip (257380)

1. Relieve pressure, page 2.

2. Insert spray tip into flat tip air cap assembly. Insert spray tip locating tab (A) into air cap locating slot (B).

3. Install guard over end of gun. Hand tighten firmly to ensure a good seal.



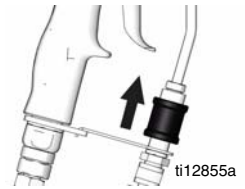
Operation

Note: The following instructions are for guns used with Graco FinishPro Sprayers. See the sprayer instruction manual 313316. If you are using a different sprayer, see your equipment instruction manual.

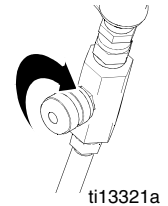
Setup

1. Prime sprayer. See manual 313316.

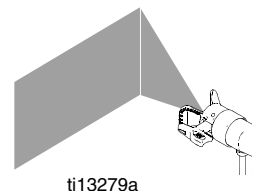
2. Slide air on/off valve on (up).



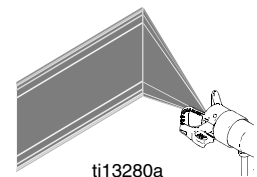
3. Turn air adjustment valve off at gun.



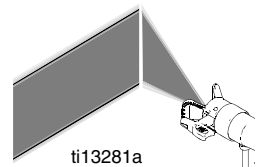
4. Increase fluid pressure to eliminate tails.



5. Decrease fluid pressure until just before tails start to appear.



6. Increase air pressure with air adjustment valve to eliminate tails.



7. Slide air on/off valve off (down) when finished spraying to save proper air pressure setting.

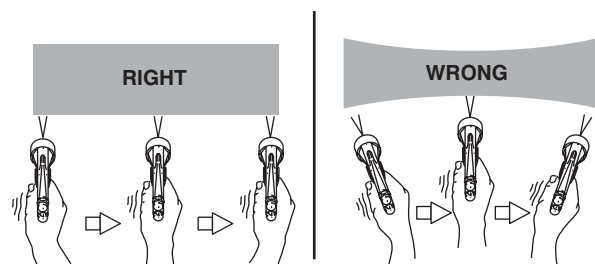
Spray

1. Unlock trigger lock.

2. Be sure the arrow shaped tip (B) faces forward (spray) (257096).

3. Hold gun perpendicular and approximately 12 in. (304 mm) from surface. Move gun first, then pull gun trigger (D) to spray a test pattern.

4. Do not spray in an arc. This causes an uneven fluid coat. Spray in a path parallel to the surface, with a 50% overlap, to obtain an even fluid coat.



Clearing RAC Tip Clogs (257096)

WARNING

1. **Relieve pressure.** Set trigger lock (A).
2. Rotate tip (B) 180°. Unlock trigger lock (A). Trigger gun into pail or onto ground to remove clog.
3. Set trigger lock (A). Rotate tip (B) 180° back to spray position.

Maintenance



Before performing any maintenance on gun, read all warnings on front cover of this manual and **relieve pressure**.

Daily Maintenance

Flush gun after each work shift and store in a dry location.

Do not immerse the gun or any parts in water or cleaning solvents.

- Do not point gun up while cleaning it.
- Do not wipe gun with cloth soaked in solvent; wring out excess.
- Solvent left in gun air passages could result in a poor quality paint finish. Do not use any cleaning method that may allow solvent into gun air passages.

Flushing and Cleaning



- Flush gun before changing colors, before storing and before repairing gun.
- Flush at lowest possible pressure. Check connectors for leaks and tighten as necessary.
- Flush with fluid compatible with fluid being dispensed and equipment wetted parts.

1. **Relieve pressure.** Unplug sprayer.
2. Remove tip (28) and guard (29).
3. Remove sprayer siphon tube set from paint and place in flushing fluid. See Cleanup instructions in sprayer operation manual 313316.
4. Plug sprayer in outlet. Set sprayer function selection switch to AIRLESS or ON.
5. Increase pressure slowly. Point gun down into grounded metal container. Pull gun trigger and flush

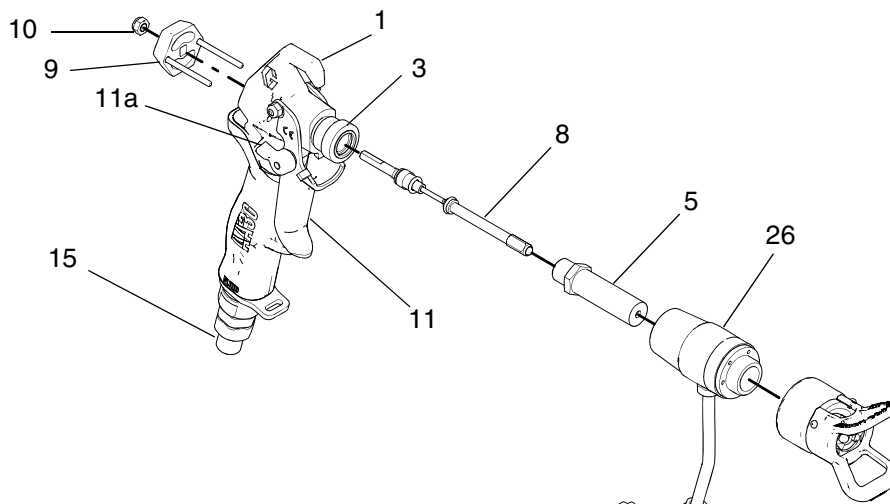
gun with solvent until all traces of fluid are removed from gun passages.

6. Turn sprayer function selection switch to OFF.
7. **Relieve pressure**, page 2.
8. Disconnect fluid supply hose from gun.
9. If it is necessary to remove diffuser (5) to clean, follow **Needle Replacement Removal** procedure, steps 1 through 6.
10. Dip soft-bristle brush into a compatible solvent. **Do not use a wire brush.**
11. Point gun down, clean front of gun with soft-bristle brush and solvent.
12. Scrub tip (28) and guard (29) with soft-bristle brush. Clean air cap holes with a toothpick to avoid damaging critical surfaces. Blow air through spray tip (28) to ensure orifice is clean.
13. If diffuser (5) was removed, trigger gun while you reinstall diffuser. Torque to 26-32 ft-lb (36-40 N•m). When properly tightened, flange bottoms out on gun.
14. Install air cap manifold; follow **Needle Replacement Installation** procedure, steps 9 - 13.
15. Install tip (28) and guard (29) on gun, page 2.
16. Wipe off outside of gun with soft cloth dampened in solvent,

Cleaning/Replacing Filter (6)

1. Relieve pressure. Set trigger lock (11a).
2. Disconnect fluid hose from gun at swivel (5).
3. Disconnect bracket (36) from retainer (16) and swivel out of way.
4. Place a wrench on flats below handle and loosen from gun.
5. Unscrew handle (14) from gun (1).
6. Remove filter (6) through top of handle (14).
7. Clean filter (6). Use a soft brush to loosen and remove excess debris.
8. Insert clean filter (6) into handle (14).
9. Reattach handle (14) to gun (1). Tighten securely.
10. Place a wrench on flats below handle and tighten securely.
11. Connect bracket (36) to retainer (16).

Needle Replacement



ti12852a

Removal

1. **Relieve pressure**, page 2. Set trigger lock (11a).
2. Disconnect air hose from gun.
3. Disconnect bracket (36) from retainer (16) and swivel bracket out of the way
4. Remove tip (28) and guard (29), **Parts**, page 7, from air cap manifold (26).
5. Release trigger lock (11a). Squeeze trigger (11). Remove set screw (39) at base of air cap manifold (26). Unscrew air cap manifold from front of gun (26).
6. Squeeze trigger. Remove diffuser housing (3).
7. Remove locknut (10) and end cap (9).
8. Tap needle assembly (8), **Parts**, page 7, out, with needle exiting through front of gun.
9. Use a soft brush to clean out internal passages of gun.

Installation

1. Apply non-silicon grease to o-rings of new needle.
2. Guide new needle (8), **Parts**, page 7, through front of gun.
3. Loosely install end cap (9) and locknut (10).
4. Grease threads of needle housing (3).
5. Squeeze trigger (11) and install diffuser (5). Torque to 26-32 ft-lb (36-40 N•m).
6. Hold gun with nozzle facing up.
7. Turn locknut (10) clockwise until you see and feel trigger (11) raise slightly.
8. Turn locknut (10) 3/4 turn counter-clockwise.

NOTE: Needle is properly adjusted when trigger moves freely.

NOTICE

The end of the diffuser housing must be flush or sticking out beyond the manifold in order to ensure a proper seal.

9. Screw air cap manifold (26) on until end of manifold is flush with end of diffuser housing (5).



ti12851a

10. If air tube is not in downward position, continue to thread manifold until it is.
11. Connect bracket (36) to retainer (16).
12. Pull trigger (11) and install set screw (39). Torque set screw to 10 - 12 in-lb (1,1 - 1,4 N•m).
13. Install tip (28) and guard (29). Tighten securely.
14. Connect air hose.

Test Needle Installation

1. Prime sprayer. See sprayer instruction manual.
2. Trigger gun into bucket until fluid flows from gun.
3. Release trigger (11). Fluid flow stops immediately.
4. Set trigger lock (11a).
5. Aim gun into bucket. Trigger gun. No fluid show flow.
6. If gun fails tests of steps 3 and/or 5, **relieve pressure** and disconnect hose. Readjust needle. Repeat tests.

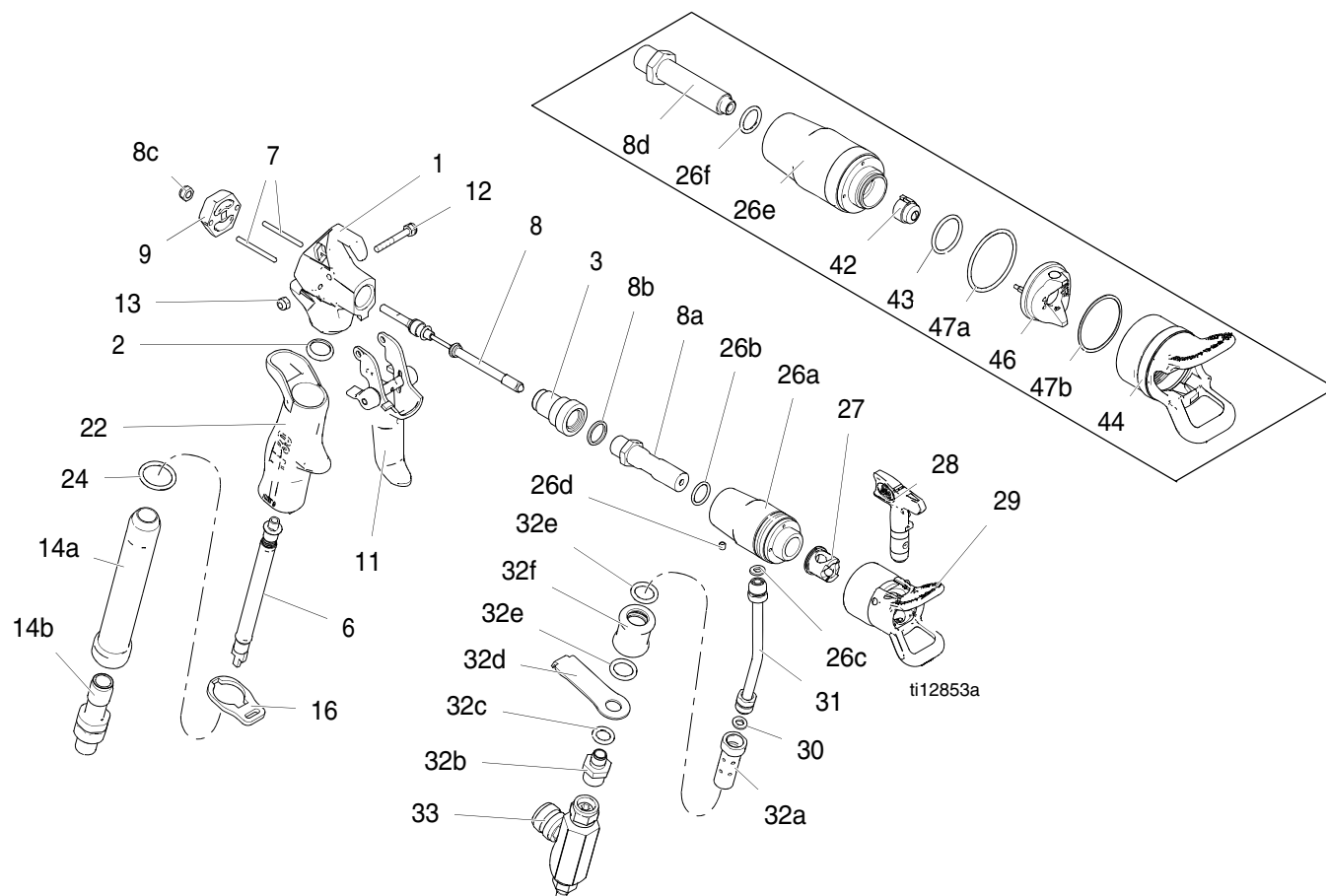
Technical Data

Maximum inlet fluid pressure	3600 psi (24,8 MPa, 240 bar)
Maximum inlet air pressure	100 psi (0,7 MPa, 7 bar)
Air inlet	1/4 nps
Fluid inlet	1/4 nps
Sound levels per ISO 3744	
Sound power level	less than 65.0 dB(A)
Sound pressure level	less than 65.0 dB(A)
Wetted parts	
Bare spray gun	stainless steel, aluminum

Translated Manuals

Bulgarian - 313371	Dutch - 313351	German - 313355	Latvian - 313359	Portuguese - 313363	Slovenian - 313367
Croatian - 313348	Estonian - 313352	Greek - 313356	Lithuanian - 313360	Romanian - 313364	Spanish - 313368
Czech - 313349	Finnish - 313353	Hungarian - 313357	Norwegian - 313361	Russian - 313365	Swedish - 313369
Danish - 313350	French - 313354	Italian - 313358	Polish - 313362	Slovakian - 313366	Turkish - 313370

Parts



Ref.	Part	Description	Qty.	Ref.	Part	Description	Qty.
1	15W295	HOUSING, fluid (plated)	1	26a		MANIFOLD, air cap, RAC	1
2✓	179733	SEAL, sleeve	1	26b	120775	O-RING	1
3	195419	HOUSING, needle	1	26c	15W160	GASKET, tube	2
6✓	288750	FILTER, gun, latex, 100 mesh	1	26d	111102	SCREW, set	1
	288749	FILTER, gun, latex, 50 mesh	1	26e		MANIFOLD, air cap, flat	1
	256975	FILTER, gun, latex, 150 mesh	1	26f	122486	O-RING	1
7	115484	PIN, actuator	2	27	15J770	HOUSING, RAC	1
8		KIT, needle	1	28✓	FFT210	TIP	1
	257526	GUN Model 257096 (includes 8a, 8b, 8c)		29✓	288465	GUARD, RAC, Alpha G40	1
	257527	GUN Model 257380 (includes 8b, 8c, 8d)		31	257078	TUBE, air, assembly	1
8a		HOUSING, diffuser, assembly	1	32	257782	KIT, repair, valve, slide (includes 32a-32f)	
8b	156766	GASKET	1	32a		BODY, valve	1
8c	115483	NUT, lock	1	32b		FITTING, adapter	1
8d		HOUSING, diffuser, assembly, flat	1	32c		O-RING	1
9	15W164	CAP, end	1	32d		BRACKET, air tube	1
11	256963	TRIGGER, gun, 2 finger, assembly	1	32e		O-RING	2
12	177538	STUD, trigger	1	32f		SLEEVE, valve	1
13	105334	NUT, lock, hex	1	33	288715	VALVE, swivel, ASM	1
14	257781	KIT, repair, handle AA30 (includes 14a, 14b)	1	42✓	AAM411	TIP, G15, G40	1
14a		HANDLE, gun	1	43	111116	O-RING, seat	1
14b		SWIVEL, gun	1	44✓	249256	TIP, guard	1
16	15W291	RETAINER, guard	1	46	249180	AIR CAP	1
22	278003	HANDLE, gun	1	47	253032	AIR CAP Seal Kit (includes 47a, 47b)	
24	122530	O-RING	1	47a	109213	PACKING, o-ring PTFE	1
26		KIT, repair, manifold	1	47b	15G320	WASHER, PTFE	1
	257783	GUN Model 257096 (includes 26a, 26b, 26c, 26d)					
	257784	GUN Model 257380 (includes 26c, 26d, 26e, 26f)					

▲ Replacement Warning labels, tags, and cards are available at no cost.

✓ Keep these spare parts on hand to reduce downtime.

Graco Standard Warranty

Graco warrants all equipment referenced in this document which is manufactured by Graco and bearing its name to be free from defects in material and workmanship on the date of sale to the original purchaser for use. With the exception of any special, extended, or limited warranty published by Graco, Graco will, for a period of twelve months from the date of sale, repair or replace any part of the equipment determined by Graco to be defective. This warranty applies only when the equipment is installed, operated and maintained in accordance with Graco's written recommendations.

This warranty does not cover, and Graco shall not be liable for general wear and tear, or any malfunction, damage or wear caused by faulty installation, misapplication, abrasion, corrosion, inadequate or improper maintenance, negligence, accident, tampering, or substitution of non-Graco component parts. Nor shall Graco be liable for malfunction, damage or wear caused by the incompatibility of Graco equipment with structures, accessories, equipment or materials not supplied by Graco, or the improper design, manufacture, installation, operation or maintenance of structures, accessories, equipment or materials not supplied by Graco.

This warranty is conditioned upon the prepaid return of the equipment claimed to be defective to an authorized Graco distributor for verification of the claimed defect. If the claimed defect is verified, Graco will repair or replace free of charge any defective parts. The equipment will be returned to the original purchaser transportation prepaid. If inspection of the equipment does not disclose any defect in material or workmanship, repairs will be made at a reasonable charge, which charges may include the costs of parts, labor, and transportation.

THIS WARRANTY IS EXCLUSIVE, AND IS IN LIEU OF ANY OTHER WARRANTIES, EXPRESS OR IMPLIED, INCLUDING BUT NOT LIMITED TO WARRANTY OF MERCHANTABILITY OR WARRANTY OF FITNESS FOR A PARTICULAR PURPOSE.

Graco's sole obligation and buyer's sole remedy for any breach of warranty shall be as set forth above. The buyer agrees that no other remedy (including, but not limited to, incidental or consequential damages for lost profits, lost sales, injury to person or property, or any other incidental or consequential loss) shall be available. Any action for breach of warranty must be brought within two (2) years of the date of sale.

GRACO MAKES NO WARRANTY, AND DISCLAIMS ALL IMPLIED WARRANTIES OF MERCHANTABILITY AND FITNESS FOR A PARTICULAR PURPOSE, IN CONNECTION WITH ACCESSORIES, EQUIPMENT, MATERIALS OR COMPONENTS SOLD BUT NOT MANUFACTURED BY GRACO. These items sold, but not manufactured by Graco (such as electric motors, switches, hose, etc.), are subject to the warranty, if any, of their manufacturer. Graco will provide purchaser with reasonable assistance in making any claim for breach of these warranties.

In no event will Graco be liable for indirect, incidental, special or consequential damages resulting from Graco supplying equipment hereunder, or the furnishing, performance, or use of any products or other goods sold hereto, whether due to a breach of contract, breach of warranty, the negligence of Graco, or otherwise.

FOR GRACO CANADA CUSTOMERS

The Parties acknowledge that they have required that the present document, as well as all documents, notices and legal proceedings entered into, given or instituted pursuant hereto or relating directly or indirectly hereto, be drawn up in English. Les parties reconnaissent avoir convenu que la rédaction du présente document sera en Anglais, ainsi que tous documents, avis et procédures judiciaires exécutés, donnés ou intentés, à la suite de ou en rapport, directement ou indirectement, avec les procédures concernées.

ADDITIONAL WARRANTY COVERAGE

Graco does provide extended warranty and wear warranty for products described in the "Graco Contractor Equipment Warranty Program".

TO PLACE AN ORDER, contact your Graco distributor or call to identify the nearest distributor.
or call **1-800-690-2894** to identify the nearest distributor.

*All written and visual data contained in this document reflects the latest product information available at the time of publication.
Graco reserves the right to make changes at any time without notice.*

This manual contains English. MM 313347

Graco Headquarters: Minneapolis

International Offices: Belgium, China, Japan, Korea

GRACO INC. P.O. BOX 1441 MINNEAPOLIS, MN 55440-1441

www.graco.com

04/2009