

# Front Derailleur



User's manuals in other languages are available at :  
<http://si.shimano.com>

## IMPORTANT NOTICE

- Contact the place of purchase or a bicycle dealer for information on installation and adjustment of the products which are not found in the user's manual. A dealer's manual for professional and experienced bicycle mechanics is available on our website (<http://si.shimano.com>).
- Do not disassemble or alter this product.

**For safety, be sure to read this user's manual thoroughly before use, and follow it for correct use.**

## Important Safety Information

For replacement information, contact the place of purchase or a bicycle dealer.

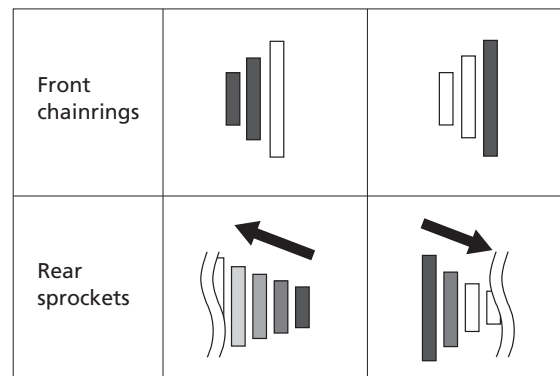
### ⚠ WARNING

- Be careful not to let the hemming of your clothes get caught in the chain while riding. Otherwise you may fall off the bicycle.
- After reading the user's manual carefully, keep it in a safe place for later reference.

### Note

- If gear shifting operations cannot be carried out smoothly, clean the derailleur and lubricate all moving parts.
- When the chain is in the position shown in the illustration below, the chain may touch the front chainrings or front derailleur and generate noise. If the noise is a problem, shift the sprockets in the direction of the arrow illustrated below 1 to 2 gears. The position at which the chain makes a noise is different depending on the product; for details please consult a dealer or an agency.

<Example of chain position where noise is easily generated >



- Products are not guaranteed against natural wear and deterioration from normal use and aging.
- For maximum performance we highly recommend Shimano lubricants and maintenance products.

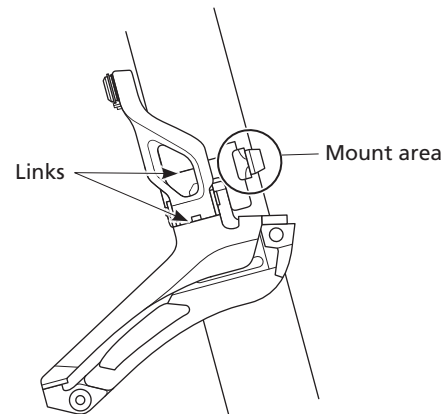
## Regular inspections before riding the bicycle

Before riding the bicycle, check the following items. If any problems are found with the following items, contact the place of purchase or a bicycle dealer.

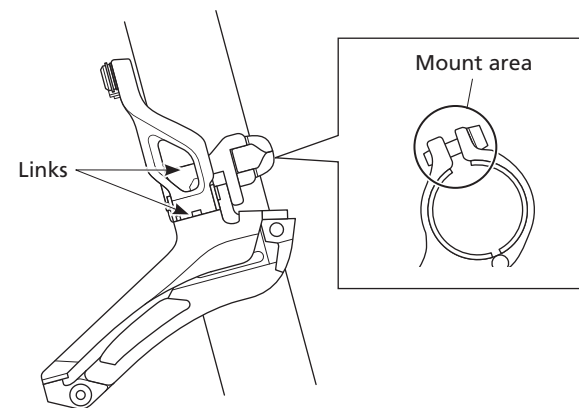
- Is gear shifting carried out smoothly?
- Is there any looseness in the mount area?
- Do the links have a large gap between them?
- Are the derailleurs making any abnormal noises?

## Names of parts

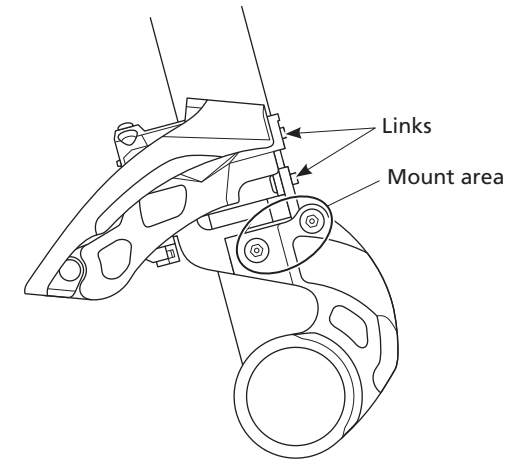
### Type F



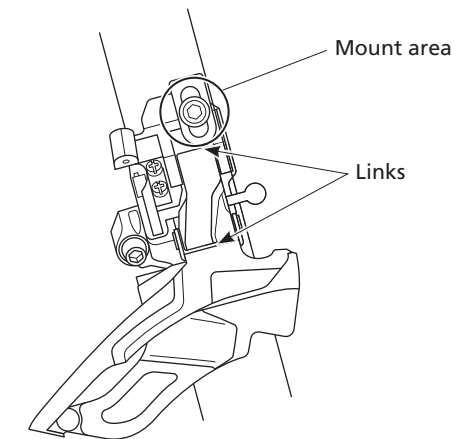
### Type B



### Type E



### Type D



## SHIMANO

SHIMANO AMERICAN CORPORATION  
 One Holland, Irvine, California 92618, U.S.A. Phone: +1-949-951-5003

SHIMANO EUROPE B.V.  
 Industrieweg 24, 8071 CT Nunspeet, The Netherlands Phone: +31-341-272222

SHIMANO INC.  
 3-77 Oimatsu-cho, Sakai-ku, Sakai-shi, Osaka 590-8577, Japan

Please note: specifications are subject to change for improvement without notice. (English)  
 © Dec. 2014 by Shimano Inc. HTR 5ZK