



# Texture Flexhead and Pole Spray Guns

100 psi (7 bar) Maximum Air and Fluid Working Pressure

## Model 238080, Series B

Texture Flexhead Spray Gun

## Model 238807, Series B

Pole Spray Gun

### WARNING

#### Pressure Relief Procedure

To reduce the risk of serious bodily injury, including electric shock and splashing fluid in the eyes, follow this procedure whenever you stop spraying.

1. Shut off the pump or sprayer.
2. Trigger the gun.
3. Open the gun air valve.
4. Disconnect the power source.

#### Grounding

To reduce the risk of electric shock, proper electrical grounding is essential. See your separate pump or sprayer instruction manual, and consult your local electrical codes for detailed grounding instructions.

#### Working Pressure

To reduce the risk of component rupture and serious bodily injury, never exceed *100 psi (7 bar) AIR OR FLUID WORKING PRESSURE* to this gun. Do not exceed the maximum working pressure of any other component in the system.

#### Fluid and Solvent Compatibility

Do not use 1,1,1-trichloroethane, methylene chloride, other halogenated hydrocarbon solvents or fluids containing such solvents in this equipment, which contains aluminum and/or zinc parts. Such use could result in a serious chemical reaction, with the possibility of explosion, which could cause death, serious bodily injury and/or substantial property damage.

The standard gun adjustment is to adjust the air needle slightly behind the fluid tip. Fully open air valve (3), while adjusting needle valve (5) for the minimum air flow necessary for a good pattern.

Air bleeds from the gun nozzle whenever the gun air valve (3) is open. Close the valve to stop the air, if desired. Otherwise, it can stay open except during priming.

To prevent material surge at the beginning of a spray pattern, open valve (17) slowly while moving gun quickly.

Adjusting the spray pattern requires testing to balance the pump pressure and the air to the gun, and using the right tip size.

#### Spray Techniques

1. Test the spray pattern on cardboard. Hold the gun 18 – 30 in. (457 – 762 mm) from the surface. Use this spraying distance for most applications.
2. Adjust fluid pressure until material flow is adequate.
3. Adjust the gun air flow valve (5) to achieve a uniform, round spray pattern.

4. Consider the size of aggregate in the material and the coarseness of the spray pattern. Remember, the larger the tip, the heavier the pattern.
5. Overlap each stroke 50%.
6. A circular, overlapping pattern may give the best results, and is obtainable by grasping the flexhead (2) and swinging the head around as the hose flexes.
7. Use appropriate procedure for your sprayer:
  - a. TexSpray EXT HP, Compact HP and Twin Tank EXT: Make sure air bleeds from the aluminum tube when there is material pressure.
  - b. RTX 1500: Turn air supply off when sprayer is not in use.

**NOTE:** Adjust fluid pressure to lowest pressure needed to maximize efficiency of gun adjustments.

When spraying small, confined areas, use the valve and knob to make fine adjustments without adjusting the pump.

**Material flow adjustments** (Fig. 1)

For a lighter spray pattern, adjust the air needle (18) closer to the fluid tip and/or reduce the fluid pressure.

For a heavier spray pattern, adjust the air needle (18) farther back from the fluid tip and/or increase the fluid pressure.

**NOTE:** Withdrawing needle valve (18) too far can force air back into fluid hose, stopping material flow.

**Air flow valve adjustment**

To decrease air flow turn the valve (5) clockwise.

To increase air flow, turn the valve (5) counter clockwise.

Check and thin the material as needed to maintain the proper consistency. The material may thicken as it sits and slow down production or affect the spray pattern.

Flush and dry gun thoroughly at end of each work day.

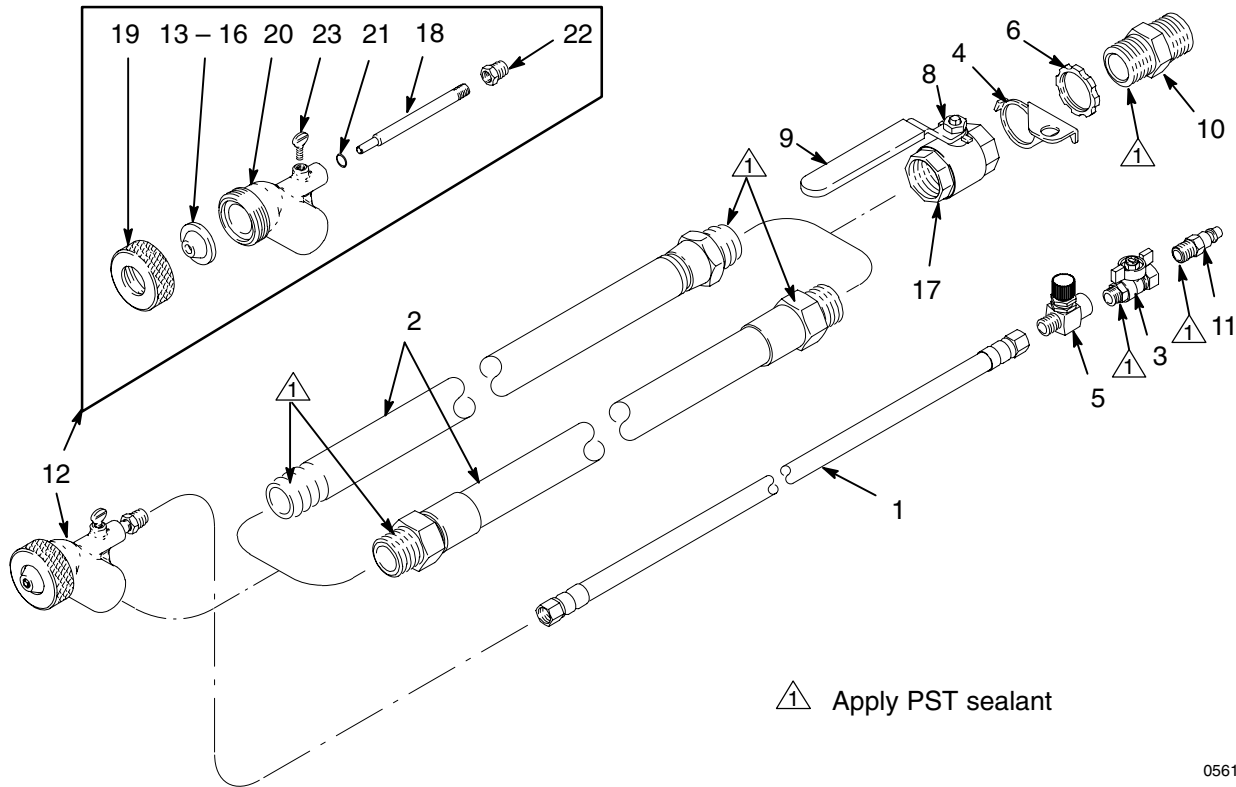


Fig. 1

05614A

Ref No	Part No.	Description	Qty	Ref No	Part No.	Description	Qty
1		HOSE, coupled, air	1	12	238955	SPRAY GUN, flexhead (includes items 13 – 16 and 18 – 23)	1
	113377	Model 238080	1	13	190943	TIP, spray gun, 3/16 in.	1
	113601	Model 238807	1	14	190944	TIP, spray gun, 1/4 in.	1
2		HOSE or TUBE, fluid, with swivel	1	15	190945	TIP, spray gun, 5/16 in.	1
	113378	Model 238080 (hose)	1	16	190946	TIP, spray gun, 3/8 in.	1
	191633	Model 238807 (tube)	1	17	113121	VALVE, ball, 1 in.	1
3	15B565	VALVE, ball, air	1	18	190947	NEEDLE, air	1
4	190807	BRACKET, valve, air	1	19	190948	CAP, tip retaining	1
5	112779	VALVE, needle, air	1	20	190942	HOUSING, spray gun	1
6	113114	LOCKNUT, 1 in. npt	1	21	104282	O-RING	1
7	110110	SEALANT, PST (not shown)	1	22	M70895	BUSHING	1
8	190940	HANDLE, valve	1	23	100085	SCREW	1
9	113387	SLEEVE, handle	1				
10	15E359	COUPLER, 1 in. male	1				
11	119394	FITTING, air	1				

**Technical Data**

Weight ..... 67 oz (1900 grams)

This manual contains English. MM 308603  
**Graco Headquarters:** Minneapolis  
**International Offices:** Belgium, China, Japan, Korea

**GRACO INC. P.O. BOX 1441 MINNEAPOLIS, MN 55440-1441**

308603 April 1996, Revised 8/2007