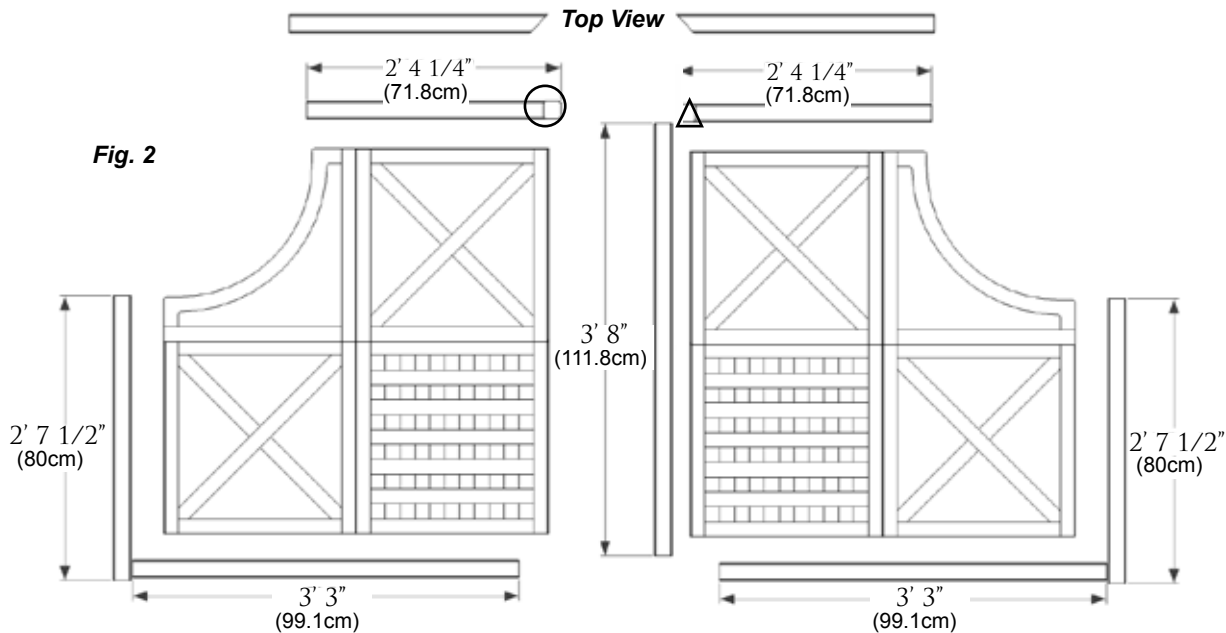
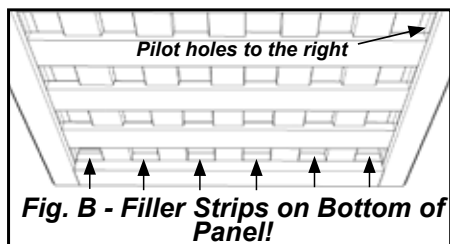
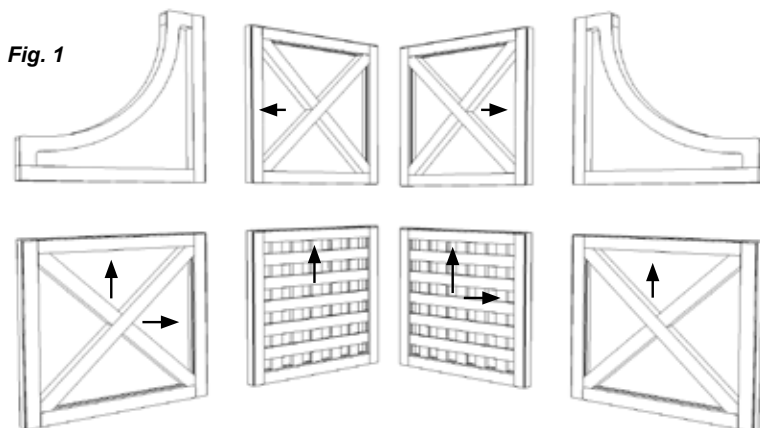
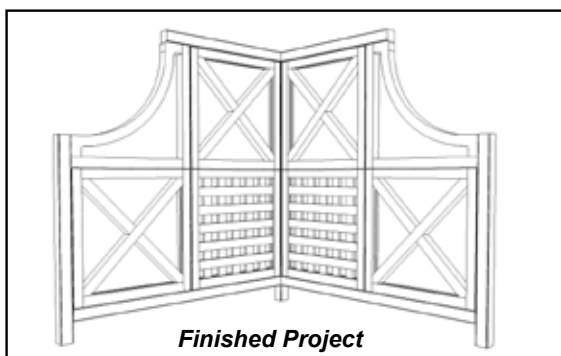


YARDISTRY STRUCTURES- COLLECTION SERIES CS011

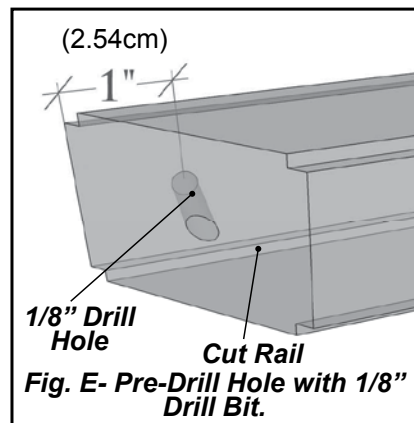
YM11531

1. Assemble panels in configuration shown. (Fig. 1) Secure with 2 1/4" screws provided in the direction and location of the arrows. Use pre-drilled holes when available.

***Ensure Panels are oriented correctly! (Fig. B)**



2. Cut Posts and Rails to size indicated. (Fig. 2) Circles and Triangles indicate a 45° cut. (Use a Mitre Box or Mitre Saw)
3. Where indicated by a triangle, use a 1/8" drill bit to pre-drill a hole into the 2x2 Rail. (Fig.E)

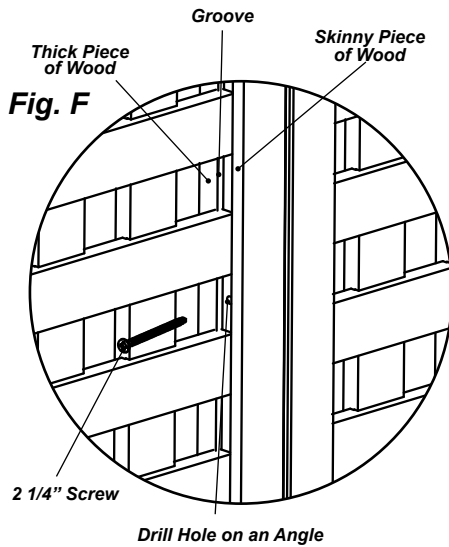


4 x One High X Topper | 2 x One High Lattice Topper | 2 x Arch Topper | 7 x -2"x2"x62" Post/Rail

4. Attach Post and Rails to panels with 2 1/4" screws in locations indicated by **circles** using pre-drilled holes where available. (Fig. 3) When pre-drilled holes are not available use a 1/8" Drill Bit to drill holes on an angle in the inside of the panel as shown. (Fig. F)

5. Using a 1/8" drill bit, pre-drill Post and Rails in locations indicated by the **arrows** and attach to side posts using 2 3/4" screws. (Fig. 3)

***If you purchased the Post Stake to secure your project, please refer to the instructions provided with the post stake to anchor your project to the ground.**



Center the Panels on Posts and Rails before attaching!

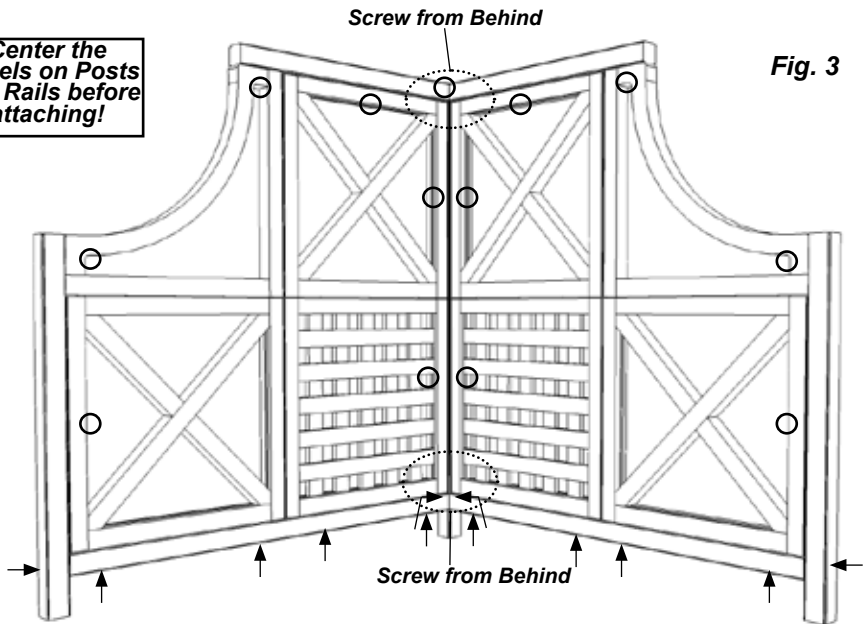


Fig. 3

!Important Safety Notice!

- Yardistry components are intended for privacy, decorative and ornamental use only. **Product is NOT INTENDED for the following:**
 - A safety barrier to prevent unsupervised access to pools, hot tubs, spas, or ponds.
 - Safety railings for elevated platforms or decks.
 - As load bearing support for a building, structure, heavy objects or swings. - Used in structures that trap wind, rain or snow that would create extra load on the product.
- **Permanent structures may require a building permit.** As the purchaser and or installer of this product you are advised to consult local planning, zoning, and building inspection departments for guidance on applicable building codes and or zoning requirements.
- **Wood is NOT flame retardant and will burn.** Grills, fire pits and chimneys are a fire hazard if placed too close to a Yardistry structure. Consult user's manual of the grill, fire pit or chimney for safe distances from combustible materials.
- **During installation, follow all safety warnings provided with your tools and use OSHA approved safety glasses.**
- **Some structures may require two or more people to install safely. Check for underground utilities before digging or driving stakes into the ground!**

General Information: Wood components are manufactured with Cedar (C. Lanceolata) which is protected with factory applied water-based stain. Knots, small checks (cracks) and weathering are naturally occurring and do not affect the strength of the product. Annual application of a water-based water repellent sealant or stain will help reduce weathering and checks.

Warranty: Yardistry Limited products are backed by a 5 year limited lifetime warranty from the date of original retail purchase for manufacturing defects and if installed as per manufacturer's installation instructions.

Patents Pending

www.YardistryStructures.com