



CAUTIONS

- Do not subject the device to severe impact or drop it from elevated positions.
- Do not use the player in extreme hot or cold, dusty or damp conditions.
- Do not expose it to direct sunshine.
- Back up the data frequently in case of accident data loss.
- Avoid using the player in strong magnetic fields.
- Keep the device away from water or other liquids. In the event that water or other liquids enter the device, power off the product immediately, take out the battery and clean the device.
- Do not use chemical solution to clean the device in order to avoid corrosion. Clean it with a dry cloth.
- Do not attempt to disassemble, repair or modify the product, or it will be out of warranty.
- The design of the player or actual display may be different from what is shown in this manual

KEY FEATURES

- MP3&WMA Playback
- Folder Navigation
- Voice Recording
- Removable Storage Device
- A-B Repeat
- SRS WOW sound effect

PACKAGE CONTENTS

- Please check the package for the following items.
- Main Unit
 - Stereo earphone with neck Strap
 - User Manual

SYSTEM REQUIREMENTS

- Hardware: IBM PC & Compatible PC, Notebook with USB interface
- Operating System: Windows98/SE, Windows Me, Windows2000/XP/Vista™, Linux 2.0, Mac OS10.0 and above

Industry Canada - ICES-003

CAUTION: To comply with the limits for a Class B digital device, pursuant to Part 15 of the FCC Rules, this device must only be installed on computer equipment certified to comply with the Class B limits.

This Class B digital apparatus complies with Canadian ICES-003.

BATTERY INSTALLATION

- (1) Remove the USB connector cover.
- (2) Press and slide the battery cover in the direction of the arrow.
- (3) Remove the battery cover and insert one AAA-size battery (not included) into the battery compartment.
- (4) Replace the battery cover.

BEFORE YOU BEGIN

Connect to the PC and download audio files

The MP3 player is plug & play for WIN2000/XP/Me/Vista™ and OS.

You do not need to install the driver.

Just connect the player to the PC and download audio files following these steps:

- (1) Remove the USB cover to reveal the USB connector.
- (2) Plug in the USB connector of the player to the USB port of the PC.

When you open "My Computer", you will see a removable disk which represents the player. Now you can use the removable disk as a normal local disk drive, copying audio files from or to the removable disk.

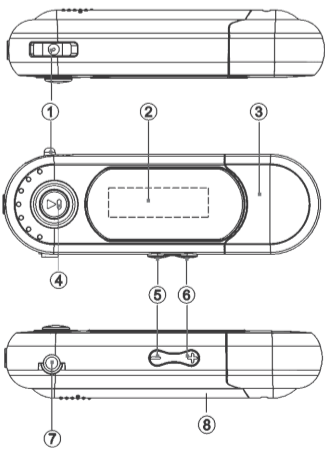
Removing the player from the PC safely

For Windows2000/XP/Vista™:

- (1) Left click the icon at the right hand corner of the taskbar.
- (2) Click the pop-up mini-window with message "Stop the USB Mass Storage Device - Drive (X)".
- (3) When you are prompted to remove the device, pull out the MP3 player.

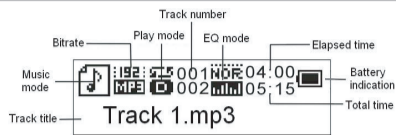
For Win98, please make sure the data transfer is completed before unplugging the MP3 player.

LOCATION OF CONTROLS



- MODE button/switch**
Move left to select the previous item
Move right to select the next item
Press and hold to display main menu
Quickly press to display submenu
- LCD display**
- USB connector cover**
Connect to computer
- Play/Pause button**
- Volume down**
- Volume up**
- Earphone jack**
- Battery compartment (back of device)**

LCD INDICATORS



BASIC OPERATION

Function	Operation
Power On/Off	Press and hold the key.
Play/Pause	Press the key to play or pause.
Adjust Volume	Press the Volume up or Volume down button to increase or decrease volume.
Previous/Next	Slide the MODE button's switch left or right to play the previous or next track.
Fast Forward	Slide the MODE button's switch to the right and hold to fast forward.
Rewind	Slide the MODE button's switch to the left and hold it to fast reverse.

USING THE MENU

- (1) Press and hold down the **MODE button** to enter the main menu.
- (2) Slide the **MODE button's switch** left or right to select the desired menu item and press the **MODE button** down to confirm the selected item.
- (3) Press the key to return to the menu. Or, do not press any button and the unit will automatically return to the menu in a few seconds.

ENTERING VARIOUS FUNCTION MODES

From the main menu, you can enter different modes including MUSIC, VOICE, VOICE PLAYER, FILE BROWSE and SYSTEM SETTING modes.



MUSIC MODE

- **Enter music mode**
On the main menu, select "MSC" menu to enter the music mode.
- **Enter folder navigation mode**
 - (1) When the music is being played, press the key to pause the music.
 - (2) Quickly press the **MODE button** to display the submenu.
 - (3) Select "Folder" and then press the **MODE button** to confirm.
 - (4) In the folder mode, move the **MODE button's switch** left or right to select a folder and then press the **MODE button** to open it.
 - (5) In the opened folder, slide the **MODE button's switch** left or right to browse tracks. To play a selected track, press the **MODE button** to enter music playing mode and then press the button to start playing; to return to a higher folder level, browse to the root of the current directory and then press the **MODE button**.
- **A-B Repeat**
To repeat specified section of the current track,
 - (1) When the music is being played, quickly press the **MODE button** to display submenus.
 - (2) Select "Replay" and then press the **MODE button** to enter A-B repeat mode.
 - (3) "A" will flash. At your desired start point, slide the **MODE button's switch** right to confirm the start point of the repeat.
 - (4) "B" will flash. At your desired end point, slide the **MODE button's switch** right again to specify the end point of the repeat.
 - (5) The section between the start point and the end point begins to be played repeatedly.
 - (6) To stop A-B repeat, press the **MODE button**. "A-B" will no longer display on the screen.
- **Select Play Mode**
You can switch between the following play modes:
Normal - Play all tracks in order and stop after all tracks have been played.
Repeat One - Keep repeating the current track.
Folder - Play all tracks in current folder.
Repeat Folder - Repeat all tracks in current folder.
Repeat All - Play all tracks in order and repeat.
Random - Play all tracks randomly.
Intro - Play the first 10 seconds of each track.
To select play mode:
 - (1) When the music is being played, quickly press the **MODE button** to display the submenu.
 - (2) Select "Play Mode" and then press the **MODE button** to see the play options.
 - (3) Slide the **MODE button's switch** left or right to select the desired play mode, and press the **MODE button** to confirm or press the button to cancel and return.
- **Select preset EQ mode**
You can play the tracks in different sound effects. The device provides 7 preset EQ modes: Normal, Rock, Pop, Classical, Soft, Jazz, and Bass.
To set the EQ mode:
 - (1) While the music is being played, quickly press the **MODE button** to display the submenu.
 - (2) Select "Equalizer" and then press the **MODE button** to show the provided options.
 - (3) Slide the **MODE button's switch** left or right to select the desired mode, and press the **MODE button** to confirm.

モロ「メヌ
1。「ホト」EM673JAビタ?
CorelDraw9.0
2。「ネ?」
A4
3。「ヒビ」
4。「モロ」
5。「ラヨ」 2
6。「ヨ」
7。「ウ」
8。「メヌ」

YIFANG Digital
深圳市易方数码科技有限公司
深圳市南山区松白公路百旺信工业区五区23栋

产品型号	EM673JA	版本:	TEL: +86 755 27354999
零件编号	091-1EMJ00-A001	用量:	FAX: +86 755 86106467
零件名称	ビタ?	比例:	编写
材 料	128g ¹ -贈入	图纸大小:	日期
表面处理			排版
			审核
			日期
			日期

MUSIC MODE (continued)

• Set SRS and WOW sound effects

The device provides vivid sound effect settings SRS and WOW to enhance your music enjoyment. These steps can guide you to enable SRS and WOW settings:

- (1) When the music is being played, quickly press the **MODE button** to display the sub-menu.
- (2) Select "SRS WOW mode" and then press the **MODE button** to show the provided setting options.
- (3) Slide the **MODE button's switch** left or right to select the desired setting, and press the **MODE button** to confirm or select **EXIT** to exit.

• Delete Single Track

You can delete one single track following these steps:

- (1) Pause the music playing first and then quickly press the **MODE button** to display the sub-menu.
- (2) Select "Delete file" and then press the **MODE button** to continue.
- (3) Slide the **MODE button's switch** left or right to select "Yes" or "No", and then press the **MODE button** to confirm or press the **button** to cancel and return.

• Delete all tracks

You can delete all tracks following these steps:

- (1) Pause the music playing first and then quickly press the **MODE button** to display the sub-menu.
- (2) Select "Delete all" and then press the **MODE button** to continue.
- (3) Slide the **MODE button's switch** left or right to select "Yes" or "No", and then press the **MODE button** to confirm or press the **button** to cancel and return.

BROWSE ALL FILES

To browse all folders and tracks, on the main menu, select "BRO" and then press the **MODE button** to enter the explorer mode. For detail information about how to use the file browser, see "Enter folder navigation mode" section.



DISPLAY LYRIC

To display the lyric during playback, you need to download a lyric file with the same name as the current track title to the player. The extension name for the lyric file is ".lrc", you can download it from the related website.

Press and hold the **MODE button** to enter the synchronized lyric display mode.

To **EXIT** the lyric mode and return to normal playing mode, briefly press the **MODE button**.

To return to the **MAIN** menu from the Lyric mode, press and hold the **MODE button**.

Note: The lyric file and the track should be in the same directory.

VOICE RECORDING

• Record

- (1) Press and hold the **MODE button** to display the main menu.
- (2) Select "REC" menu and then press the **MODE button** to enter voice recording mode.
- (3) Press the **button** to start recording.
- (4) During recording, you can press the **button** to pause or resume recording.
- (5) Press and hold the **MODE button** to stop and save the recording.

CAUTION: DO NOT REMOVE THE BATTERY DURING RECORDING. THAT WILL CAUSE THE CURRENT RECORDING TO NOT SAVE AND COULD BE LOST.

• Play Voice File

- (1) On the main menu, select the "RPL" item to enter the voice playing mode.
- (2) Select the file that you want to play and press the **button** to play it. For detail information about playing, refer to the "Basic operations" and "Music Mode" section.

Alternatively, you can enter the navigation mode, open the VOICE folder and select the voice file that you want play.

SYSTEM SETTINGS

To customize the player settings:

- (1) On the main menu, select the "SYS" item and press the **MODE button** to enter the system setting mode.
- (2) Slide the **MODE button's switch** left or right to select setting item and press the **MODE button** to confirm or press the **button** to cancel/return.



Item	Description
Backlight	Set the duration of the backlight after you press any key.
Language	Select the language in which the on-screen text is displayed. English/French
Auto Power Off	Off time - Set the length of time after which the player is turned off automatically when there is no activity. Sleep time - Set the continuous playback time before the player is turned off automatically.
Contrast	Set contrast between background and foreground of the screen.
Key Hold Time	Set an idle time after which the buttons are locked automatically.
Memory info.	Display total capacity and used space of the internal memory.
Firmware version	Display software version number.

TROUBLESHOOTING

PROBLEM	POSSIBLE CAUSE	SOLUTION
The LCD display is blank when the button is pressed.	1. No battery or battery is too low. 2. The buttons are locked.	1. Install or replace the battery. 2. Unlock the buttons.
No sound when playing music or voice file.	1. The volume is too low. 2. There are problems with the audio file.	1. Adjust the volume. 2. Delete the file or play another file.
The player cannot be connected to the PC.	1. The driver is not installed or destroyed. 2. The USB interface is not supported by PC's motherboard.	1. Install or reinstall the driver shipped with the player. 2. Update or replace the PC's motherboard.
The displayed time is changing constantly.	The bit rate of the MP3 file is changing during playback.	Try to use fixed bit rate to compress the MP3 file.
The PC displays error when plugging or unplugging the player.	The player is disconnected from the PC abruptly while transferring files.	Do not disconnect the player from the PC when transferring files
Total memory displayed on the player is not in accordance with the marked amount.	Part of memory is used to store programs and display characters.	
Some of MP3 files cannot be played properly.	The MP3 file is compressed by a standard, such as MPEG I Layer 1 or Layer 2 that the player does not support.	1. Delete the unsupported MP3 files. 2. Use MPEG I Layer 3 standard to compress the unsupported MP3 files.

NOTICE

- Plug & Play is only available for WIN2000/XP and Vista. It is not supported by WIN98 and WIN98SE under which a driver will need to be installed.
- Please replace the battery immediately when the display indicates low battery, or the device will power off automatically.
- Please unplug the player properly to avoid losing data.
- The transfer rate displayed on the PC may be different depending on the operating system. Exact transfer rate should be subject to the player's indication.
- When the recorded voice file is too large, it is normal that the response of the device may be slow.

SPECIFICATIONS

Item	Parameter
LCD Display	132 x 32 Matrix Graphic Screen, blue backlight
Battery Life	8-10 hours
Music format	MP3, WMA
Bit rate	8kbps ~ 320kbps
Frequency range	20Hz ~ 20kHz
Signal/noise ratio	>= 90 dB
Channel separation	>=40dB
Frequency response	<=3dB (20Hz ~ 20kHz)
Output power to earphones	L 4mW, R 4mW
EQ modes	Normal, Rock, Pop, Classical, Soft, Jazz, Bass
Display	LCD
Type of ports	2.0-compatible with USB 1.1
Memory media	FLASH
Memory capacity	2GB
Output current	<=80mA
Power off current	<=500uA



THE SOURCE WARRANTY

The Source warrants that this product will be free from defects in materials and workmanship for a period of ninety (90) days from the date of purchase. Within this period, simply take the product and your proof of purchase to any The Source store or dealer and the product will be repaired without charge for parts and labour. The Source reserves the right to charge for transportation. Any product which has been subject to misuse or accidental damage is excluded from this warranty.

This warranty is only applicable to a product purchased through The Source company owned stores and dealers and to a product that is presented for repair in a country where The Source offers the product for sale. While this warranty does not confer any legal rights other than those set out above, you may have additional statutory rights which will vary under the laws of the various countries, states, province and other governmental entities in which The Source operates. This warranty is subject to all statutory rights you may have in the country of purchase.

Imported by:
The Source,
Barrie, Ontario, Canada, L4M 4W5
Manufactured in China

For product support please contact
www.thesource.ca

Limited Warranty

© 2009 The Source.
All Rights Reserved.



1. 「本ソフト」EM673JAは行??
2. 「本ソフト」CorelDraw9.0 A4
3. 「本ソフト」は行??
4. 「本ソフト」は行??
5. 「本ソフト」は行??
6. 「本ソフト」は行??
7. 「本ソフト」は行??
8. 「本ソフト」は行??

YIFANG
Digital

深圳市易方数码科技有限公司

深圳市南山区松白公路百旺信工业区五区23栋

产品型号	EM673JA/JB	版本:	TEL: +86 755 27354999
零件编号	091-1EMJ00-A001	用量:	FAX: +86 755 86106467
零件名称	行??	比例:	编写
材 料	128g^1-贈入	图纸大小:	日期
表面处理			排版
			日期
			审核
			日期