

OPERATION



309362

Rev. E

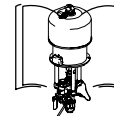


U.S. Patent Pending



Related manuals

Zinc Sprayer



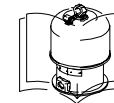
..... 309340

List of Models, page 2

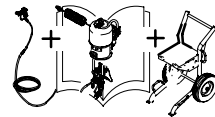


..... 309092, 308438

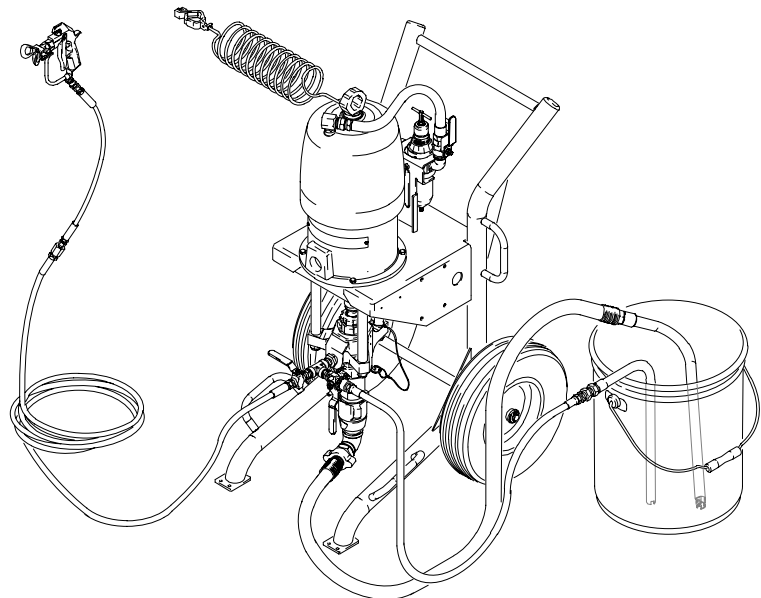
For Maximum Working Pressure see page 2



.. 307049



.. 309342



IMPORTANT WARNINGS AND INFORMATION.
Read and keep for reference.

INSTRUCTIONS

GRACO INC. P.O. BOX 1441 MINNEAPOLIS, MN 55440-1441

©COPYRIGHT 2001, GRACO INC.
Graco Inc. is registered to I.S. EN ISO 9001



HO03

List of Models

HD = Heavy Duty Cart
LW = Light Weight Cart

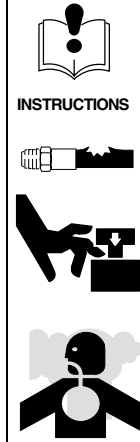
Part No.	Series	Ratio / Pump	Pump No.	Gun	Hose	HD	LW	Maximum Fluid Working Pressure	Maximum Air Input Pressure
244463	A	33:1 Bulldog	245117	X	X	X		20.7 MPa (207 bar) (3000 psi)	.7 MPa (7.0 bar) (100 psi)
245113	A	24:1 Bulldog	245116	X	X	X		23.4 MPa (234 bar) (3400 psi)	.7 MPa (7.0 bar) (100 psi)

Symbols

When you see a symbol in the manual, for example

 refer to the **WARNINGS** on pages 3–4.

WARNING



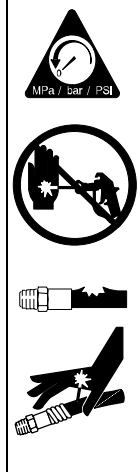
INSTRUCTIONS

EQUIPMENT MISUSE HAZARD

Equipment misuse can cause the equipment to rupture, malfunction, or start unexpectedly and result in serious injury.

- Read all instruction manuals, tags, and labels before operating the equipment.
- Do not exceed the maximum working pressure of the lowest rated system component. **See page 2 for maximum working pressure of each package.**
- Do not alter or modify equipment.
- Do not use hoses to pull equipment.
- Wear hearing protection when operating this equipment.
- Moving parts can pinch or amputate your fingers.
- Follow all local, state, and national fire, electrical, and safety regulations.

WARNING



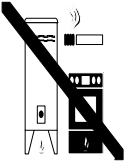
PRESSURIZED FLUID AND INJECTION HAZARD

Spray from the gun, hose leaks, or ruptured components can splash fluid in the eyes or on the skin and cause serious injury. High pressure spray or leaks can inject fluid into the body.

- Follow **Pressure Relief Procedure** on page 10 when you stop spraying or begin servicing sprayer.
- Fluid injected into the skin might look like a cut, but is a serious injury. **Get immediate medical attention.**
- Do not put your hand or fingers over the spray tip, or point gun at anyone or any part of body. Do not stop or deflect leaks with your hand, body, glove, or rag.
- Check the hoses, tubes, and couplings daily. Tighten all fluid connections before each use.
- Know the specific hazards of the fluid you are using. Read the fluid manufacturer's warnings.
- Wear appropriate protective clothing, gloves, eyewear, and respirator.
- Always have the tip guard and the trigger guard on the gun when spraying.
- Check hoses and couplings daily. Replace worn or damaged parts immediately. Do not repair high pressure couplings; you must replace entire hose.

Symbols

WARNING



FIRE AND EXPLOSION HAZARD

Solvent and paint fumes can ignite or explode. To help prevent a fire and explosion:

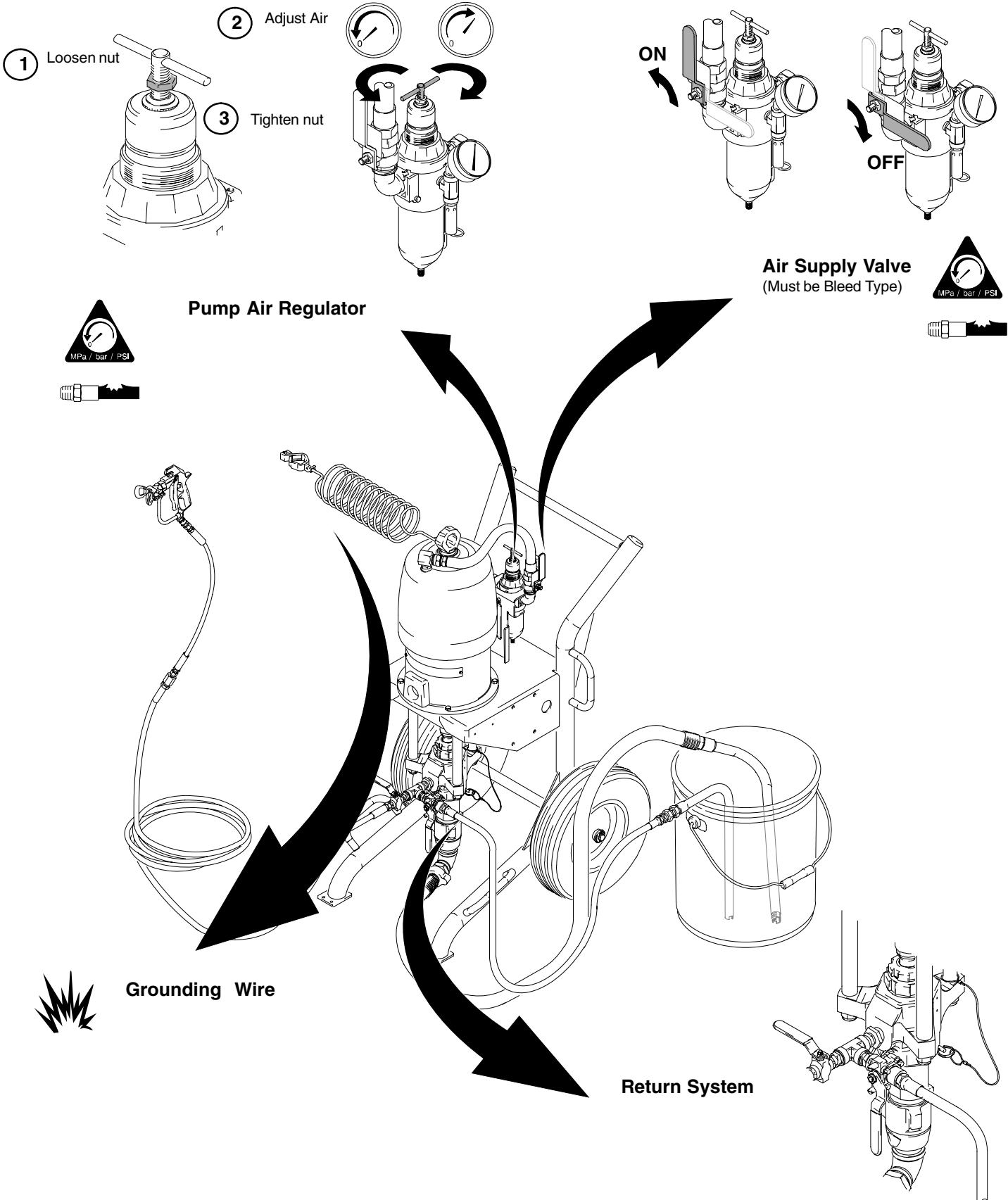
- Ground the equipment and the object being sprayed. See Grounding on page 7.
- Use in extremely well ventilated area.
- Hold gun firmly to side of grounded pail when triggering into pail.
- Use only electrically conductive paint hose.
- If there is any static sparking while using the equipment, **stop spraying immediately**. Identify and correct the problem.
- Eliminate all ignition sources such as pilot lights, cigarettes, and static arcs from plastic drop cloths. Do not plug in or unplug power cords or turn lights on or off in the spray area.
- To reduce the risk of static arcing which could result in a fire or explosion and serious injury, **use only non-sparking tools**.




Two horizontal lines are positioned to the right of the hand illustration, serving as a starting point for the writing area.

A series of horizontal lines extending across the width of the page, providing a guide for handwriting practice. There are 22 lines in total, evenly spaced.

Overview

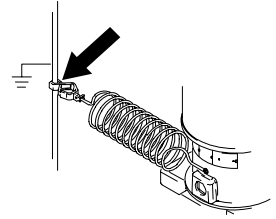


Grounding

 Use only electrically conductive hoses.

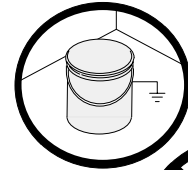
1.

Connect ground wire clamp to a true earth ground.



2.

Ground object being sprayed, fluid supply containers, solvent pails, waste pails, and all other equipment in spray area. Use only metal pails. Do not place on non-conductive surface such as paper, cardboard, or plastic.



T11102



T11102

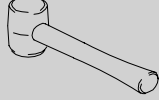
Setup

Complete before using the equipment for the first time.

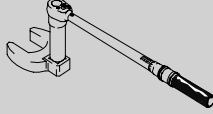
1.



2.



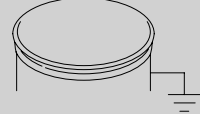
3.



4.



5.

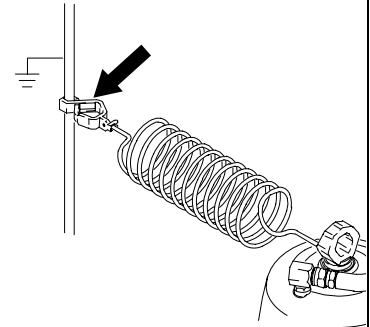


Tools Required:

1. Two adjustable wrenches
2. Non-sparking hammer or plastic mallet
3. Torque wrench
4. Grounding wires and clamps for pails
5. Two 5 gallon metal pails

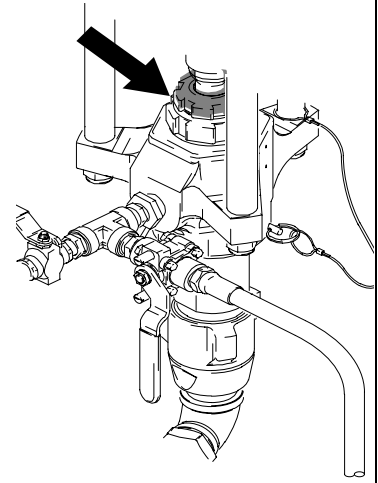
1.

Ground sprayer. See page 7.



2.

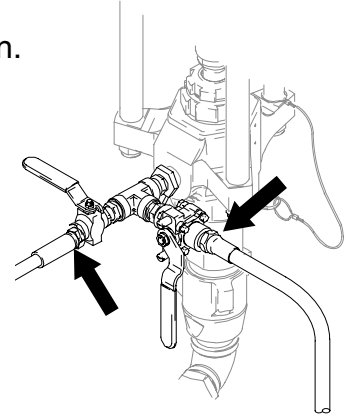
Check packing nut. Fill with Throat Seal Liquid (TSL). Torque to 25–30 ft-lb (34–41 N•m).



Setup

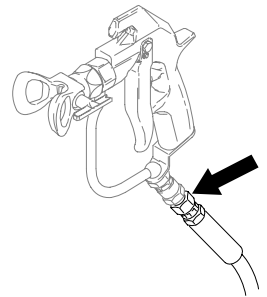
3.

Attach electrically conductive fluid hose to pump and tighten.



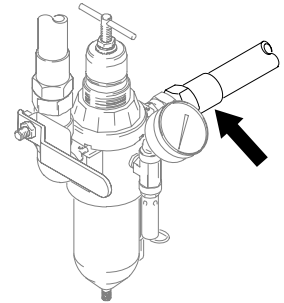
4.

Attach electrically conductive fluid hose to gun and tighten.



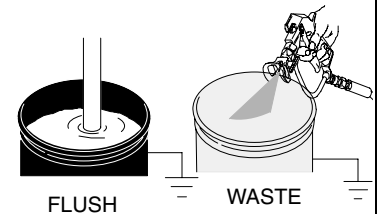
5.

Connect main air supply to air supply valve.



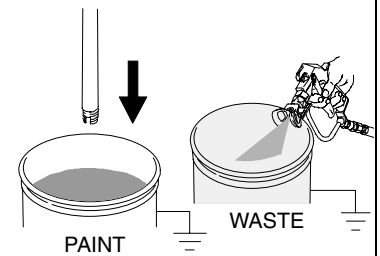
6.

Flush. See page 11.



7.

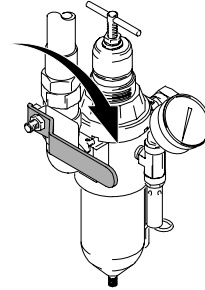
Prime. See page 14.



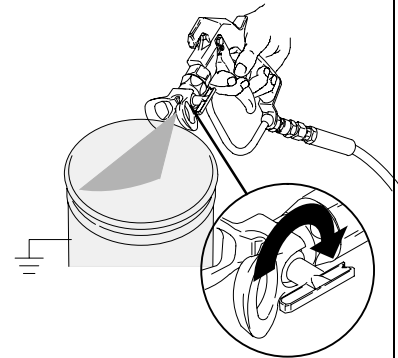
Pressure Relief

Follow steps 1–3 when you stop spraying and before cleaning, checking, or servicing the equipment.

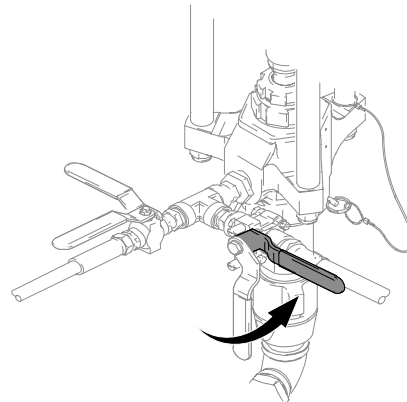
- 1.** Close bleed type air supply valve.



- 2.** Hold gun firmly against a grounded metal pail and trigger gun.



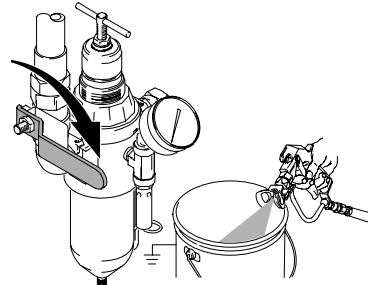



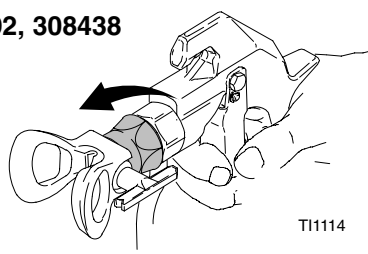


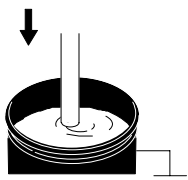


- 3.** Open return valve.



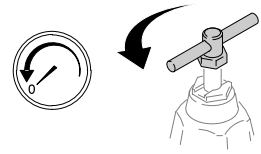
Flush

Flush before using for the first-time, changing colors, before fluid can dry or settle out, and before storing the system.

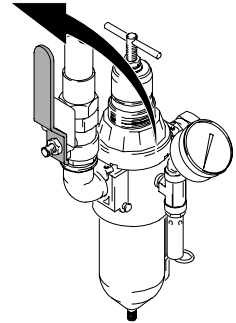
<p>1. Relieve pressure. See page 10.</p>  	
<p>2. Remove tip and guard.</p>  	 <p>..... 309092, 308438</p>  <p>TI1114</p>
<p>3. Place suction tube in solvent.</p>  	 <p>FLUSH</p>

Flush

4. Adjust air regulator by turning handle counter-clockwise.



5. Open air valve. *Always use lowest air pressure possible when flushing.*



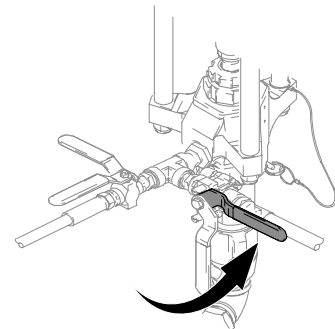
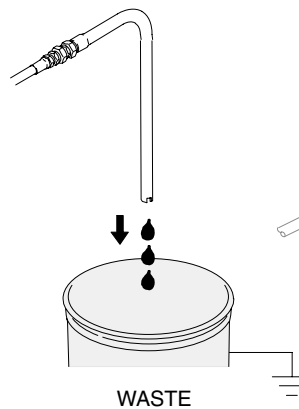
6. Flush hose and gun.



..... 309092, 308438



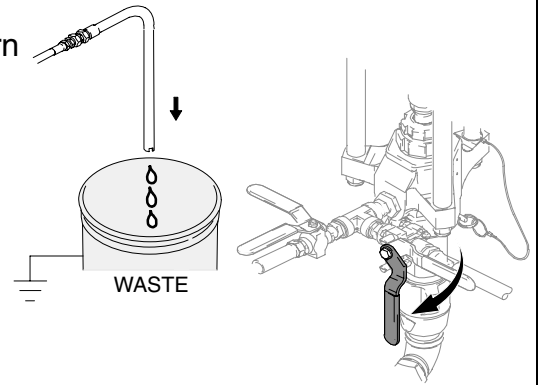
7. Put recirculation tube in a grounded waste pail. Slowly open return valve.



Flush

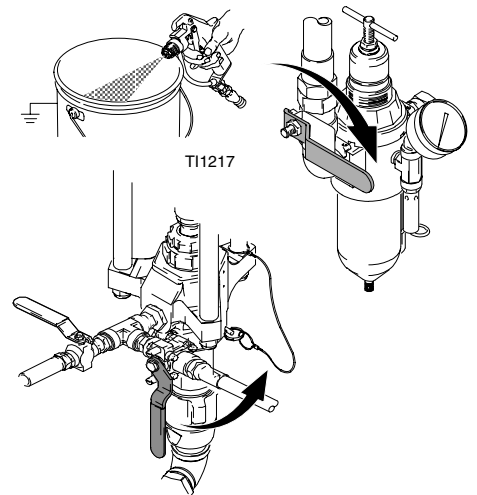
8.

When clean solvent flows from tube, close return valve. Pump will stall.



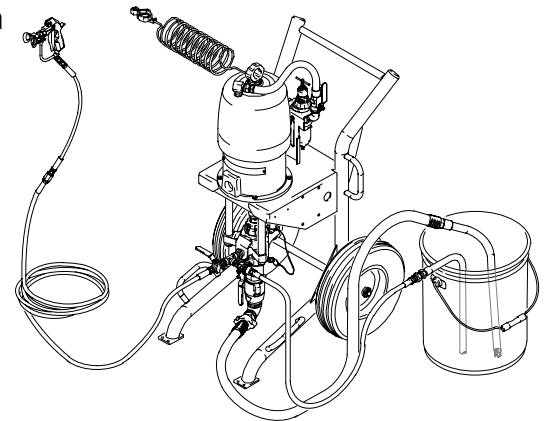
9.

Relieve pressure. See page 10.



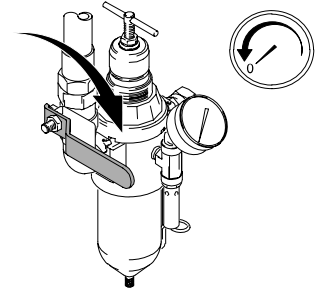
10.

Store sprayer with solvent inside, or prime with another fluid to continue spraying.

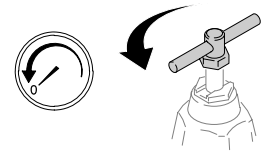


Prime

- 1.** Shut off bleed type air supply valve.



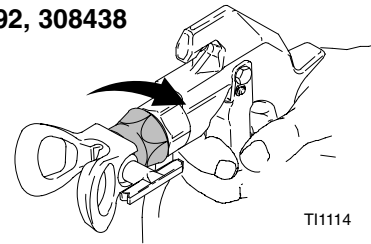
- 2.** Adjust air regulator by turning handle counter-clockwise.



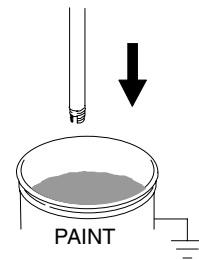
- 3.** Replace tip and guard.



..... 309092, 308438



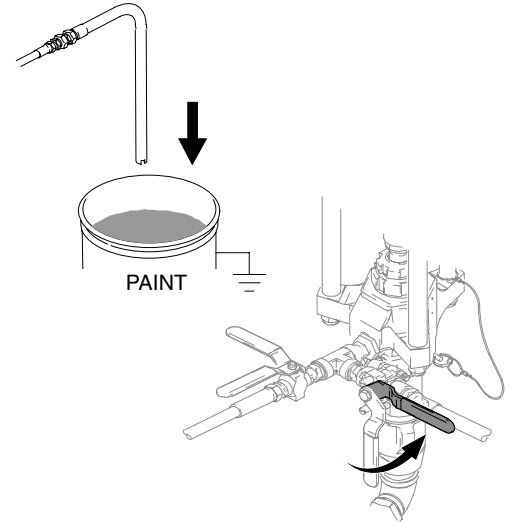
- 4.** Place suction tube in fluid.



Prime

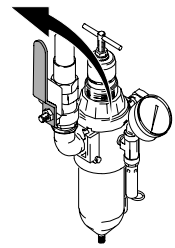
5.

Place recirculation tube in a grounded fluid pail.
Open return line valve.



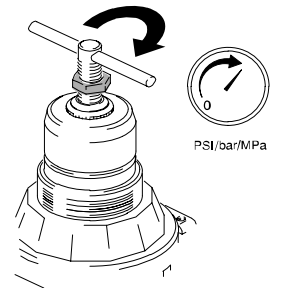
6.

Open air valve.



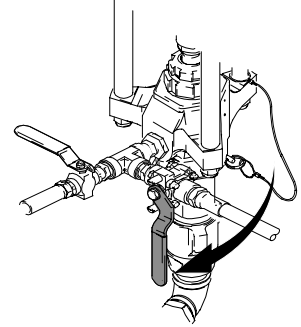
7.

Adjust air regulator by turning handle clockwise until
pump starts. Use lowest air pressure to run pump.



Prime

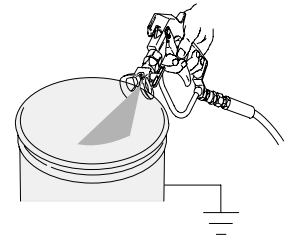
- 8.** Close return valve when material starts flowing.



- 9.** Hold gun firmly against a grounded metal pail and trigger gun until fluid flow is steady. Release trigger. Place recirculation tube into fluid to be sprayed. Equipment is ready to spray.

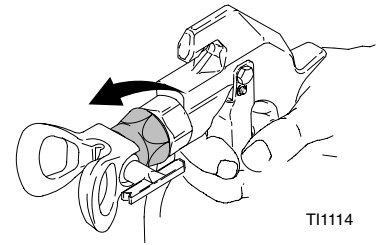


....309092, 306686,
308438

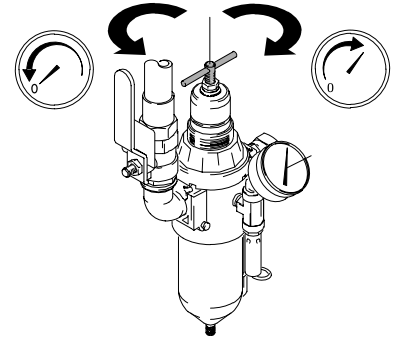


Spraying

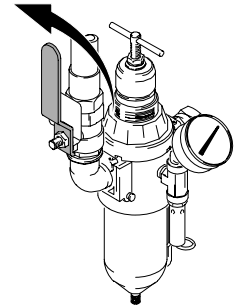
1. Replace tip and guard.



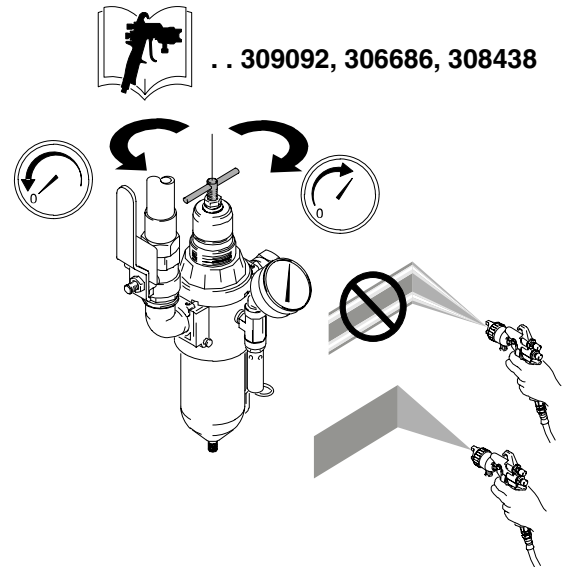
2. Set air pressure regulator.



3. Slowly open bleed type air valve.



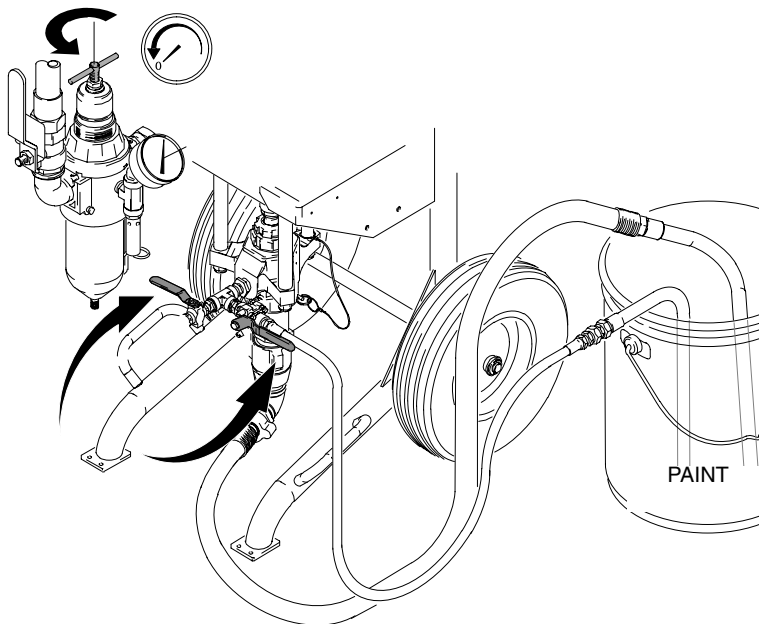
4. Test spray pattern. Read fluid manufacturer's recommendations. Adjust as necessary.



Spraying

5.

When not spraying, reduce air pressure to 30 psi. Open recirculation tube and close gun valve.





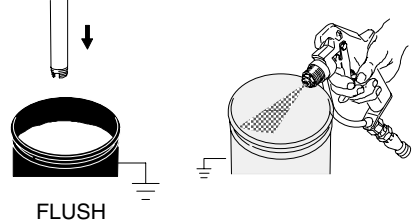


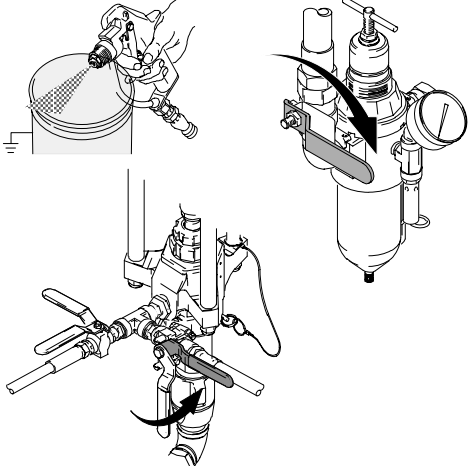



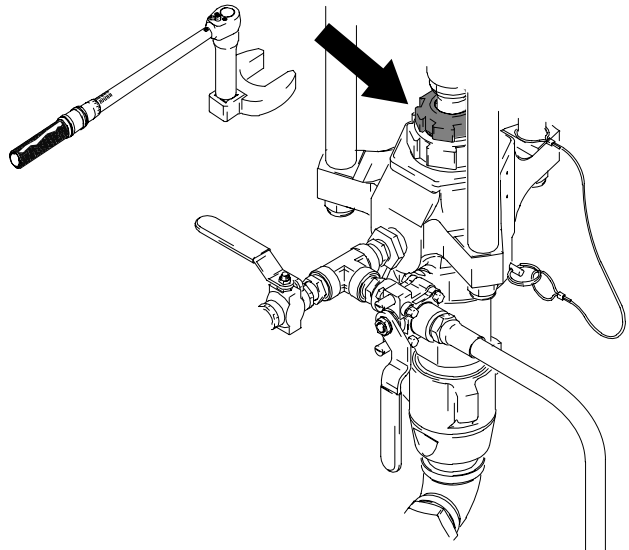
6.

Flush and relieve pressure when done spraying. See page 10 and 11.



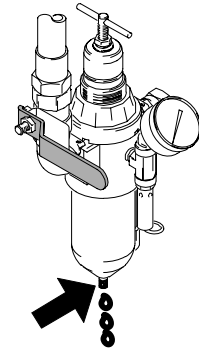
Maintenance

Daily

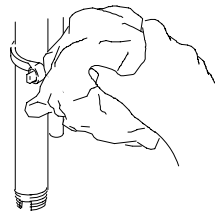
<p>1.</p>  	 <p>FLUSH</p>
<p>2.</p>  	<p>Relieve pressure. See page 10.</p> 
<p>3.</p>   	<p>Check packing nut. Adjust packings and replace TSL as necessary. Torque to 25–30 ft-lb (34–41 N•m).</p> 

Maintenance

- 4.** Drain water from air filter.



- 5.** Clean suction tube using a compatible solvent. Clean outside of sprayer using a cloth and compatible solvent.

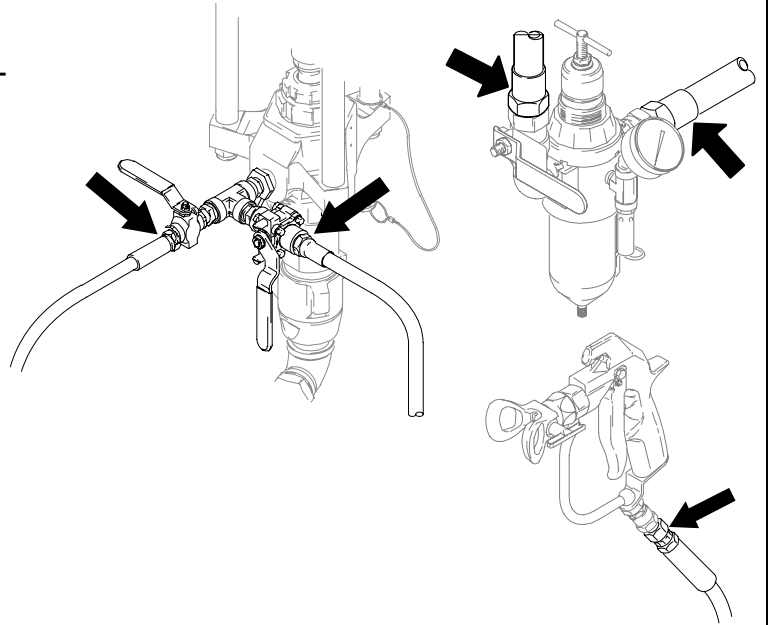


Maintenance

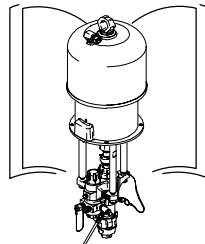
6.



Check hoses, tubes, and couplings. Tighten all fluid connections before each use.



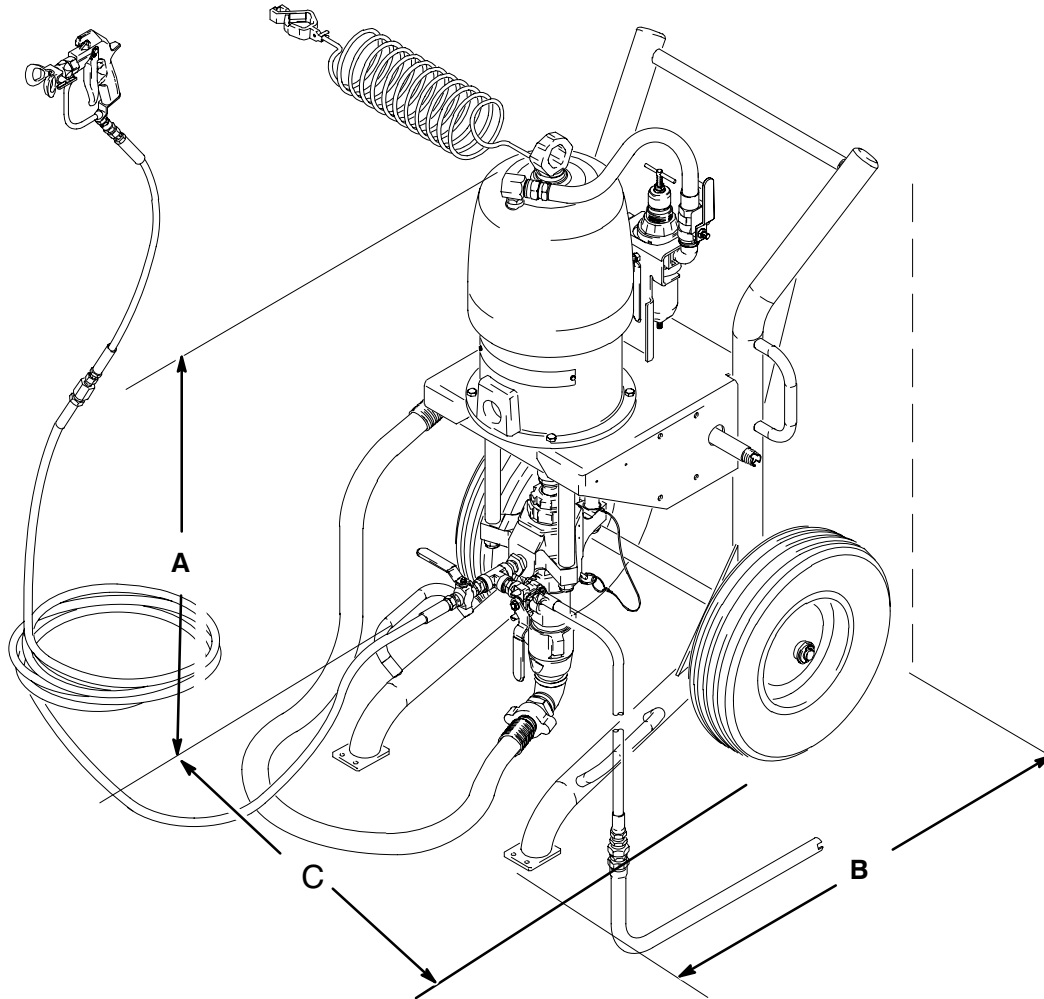
Troubleshooting



... 309340

Dimensions

(For mounting hole layout see air pump manual)



Pump Model	A mm (in.)	B mm (in.)	C mm (in.)	Weight (approx.) kg (lbs)
Bulldog 33:1	1257 (49.5)	795 (31.3)	660 (26)	236 (107)
Bulldog 24:1	1257 (49.5)	795 (31.3)	660 (26)	236 (107)



Graco Standard Warranty

Graco warrants all equipment manufactured by Graco and bearing its name to be free from defects in material and workmanship on the date of sale by an authorized Graco distributor to the original purchaser for use. With the exception of any special, extended, or limited warranty published by Graco, Graco will, for a period of twelve months from the date of sale, repair or replace any part of the equipment determined by Graco to be defective. This warranty applies only when the equipment is installed, operated and maintained in accordance with Graco's written recommendations.

This warranty does not cover, and Graco shall not be liable for general wear and tear, or any malfunction, damage or wear caused by faulty installation, misapplication, abrasion, corrosion, inadequate or improper maintenance, negligence, accident, tampering, or substitution of non-Graco component parts. Nor shall Graco be liable for malfunction, damage or wear caused by the incompatibility of Graco equipment with structures, accessories, equipment or materials not supplied by Graco, or the improper design, manufacture, installation, operation or maintenance of structures, accessories, equipment or materials not supplied by Graco.

This warranty is conditioned upon the prepaid return of the equipment claimed to be defective to an authorized Graco distributor for verification of the claimed defect. If the claimed defect is verified, Graco will repair or replace free of charge any defective parts. The equipment will be returned to the original purchaser transportation prepaid. If inspection of the equipment does not disclose any defect in material or workmanship, repairs will be made at a reasonable charge, which charges may include the costs of parts, labor, and transportation.

THIS WARRANTY IS EXCLUSIVE, AND IS IN LIEU OF ANY OTHER WARRANTIES, EXPRESS OR IMPLIED, INCLUDING BUT NOT LIMITED TO WARRANTY OF MERCHANTABILITY OR WARRANTY OF FITNESS FOR A PARTICULAR PURPOSE.

Graco's sole obligation and buyer's sole remedy for any breach of warranty shall be as set forth above. The buyer agrees that no other remedy (including, but not limited to, incidental or consequential damages for lost profits, lost sales, injury to person or property, or any other incidental or consequential loss) shall be available. Any action for breach of warranty must be brought within two (2) years of the date of sale.

Graco makes no warranty, and disclaims all implied warranties of merchantability and fitness for a particular purpose in connection with accessories, equipment, materials or components sold but not manufactured by Graco. These items sold, but not manufactured by Graco (such as electric motors, switches, hose, etc.), are subject to the warranty, if any, of their manufacturer. Graco will provide purchaser with reasonable assistance in making any claim for breach of these warranties.

In no event will Graco be liable for indirect, incidental, special or consequential damages resulting from Graco supplying equipment hereunder, or the furnishing, performance, or use of any products or other goods sold hereto, whether due to a breach of contract, breach of warranty, the negligence of Graco, or otherwise.

FOR GRACO CANADA CUSTOMERS

The parties acknowledge that they have required that the present document, as well as all documents, notices and legal proceedings entered into, given or instituted pursuant hereto or relating directly or indirectly hereto, be drawn up in English. Les parties reconnaissent avoir convenu que la rédaction du présente document sera en Anglais, ainsi que tous documents, avis et procédures judiciaires exécutés, donnés ou intentés à la suite de ou en rapport, directement ou indirectement, avec les procédures concernées.

Graco Information

TO PLACE AN ORDER, contact your Graco distributor, or call one of the following numbers to identify the distributor closest to you:

1-800-367-4023 Toll Free

612-623-6921

612-378-3505 Fax

All written and visual data contained in this document reflects the latest product information available at the time of publication. Graco reserves the right to make changes at any time without notice.

Sales Offices: Minneapolis, Detroit
International Offices: Belgium, Korea, Hong Kong, Japan

www.graco.com

PRINTED IN USA 309362 06/2001, Revised 01/2004