

994 Jefferson Street, Fall River, MA 02721  
 Phone: 1-508-677-4130 Fax: (508) 677-4136  
 Customer Service: 1-800-501-1587  
 Web Site : <http://www.tracrac.com>

TracTonneau: Truck Bed Cover for the TracRac System

**TracTonneau**

Truck Bed Cover for the TracRac System



**TracRac, Inc. Limited WARRANTY:**

Thanks for purchasing a TracRac, Inc. product. We proudly make our products in the USA — and we stand behind them. We thoroughly inspect every product before shipment, and warrant them to the original purchaser to be free from defects in materials and workmanship for a period of 24 months from the date of purchase.

In the unlikely event that trouble develops during the warranty period, please: Contact TracRac for a return authorization number and instructions

If our inspection shows defective materials or workmanship, we will repair or replace the product (at our discretion) at no charge. We will return the product to you at our expense.

**Proof of purchase is required.**

Certain restrictions apply:

This warranty does not apply to normal wear and tear.

Any damage caused by careless, unsafe, excessive use, improper handling, improper installation or alteration are not covered. Overloading beyond rated capacity, accidents, or repairs attempted by anyone other than TracRac personnel or our Authorized Dealers are not covered.

This warranty applies in lieu of any other warranties, expressed or implied (including implied warranties of merchantability and fitness for a particular purpose). Variations of its terms are not authorized.

The foregoing obligation is TracRac's sole liability under this or any other implied warranty, and under no circumstances shall TracRac be liable for any special, indirect, incidental or consequential damage, whether arising out of breach of warranty, breach of contract or otherwise.

Some states do not allow limitations on how long an implied warranty lasts or the exclusion or limitations of incidental or consequential damages, so the above limitation or exclusion may not apply to you. This warranty gives you specific legal rights and you may also have other rights which vary from state to state.

Purchased from:

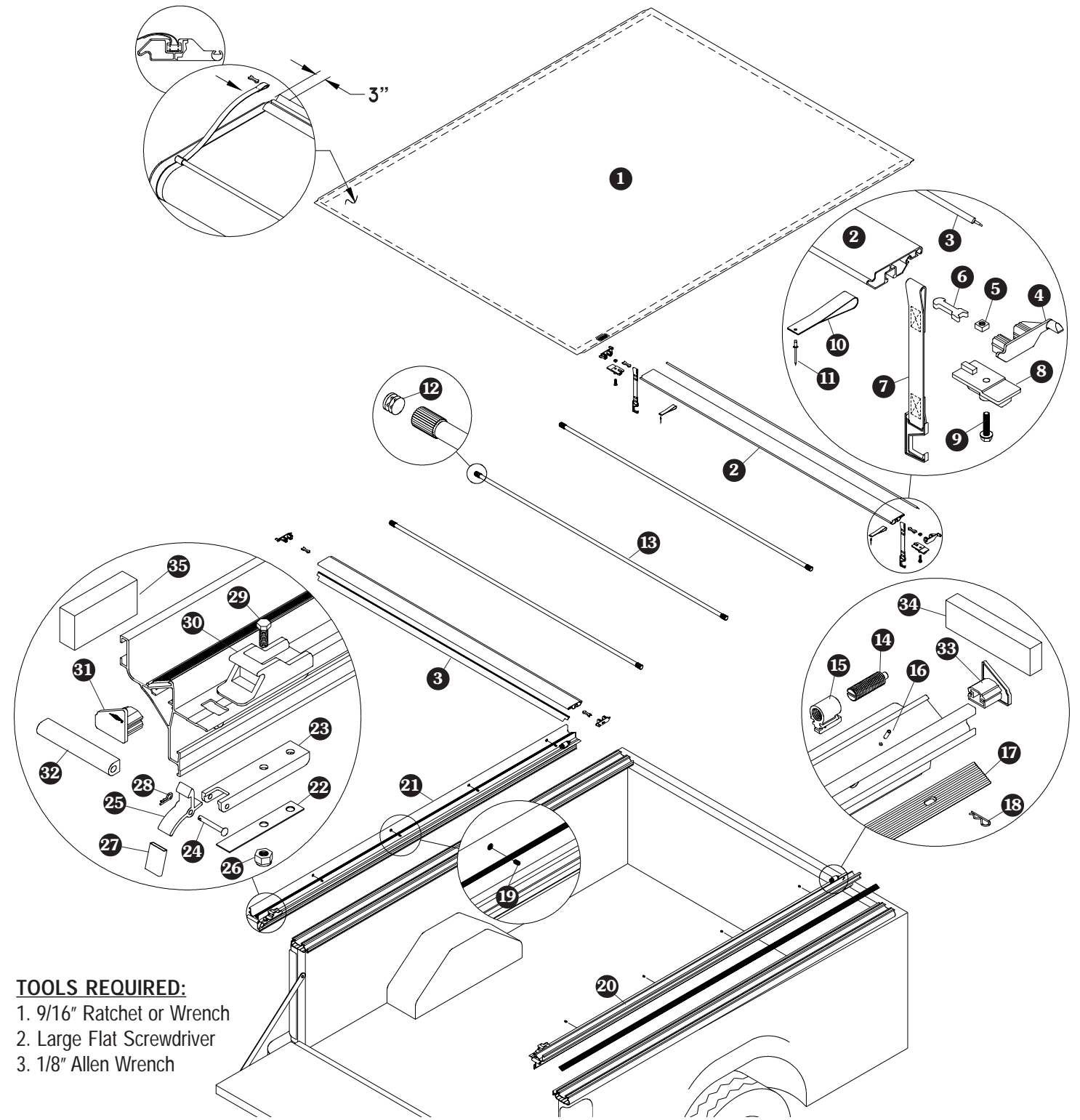
Model (SKU) #:

Date of purchase:

This warranty is valid only in the United States of America

To activate your warranty — and to take advantage of our special promotions, new product releases, & product upgrades — please complete the attached Customer Satisfaction Survey and submit it immediately to TracRac Inc.

Remember: Your Warranty is not in effect unless we receive your completed card within 10 days from your date of purchase. Thanks!



**TOOLS REQUIRED:**

1. 9/16" Ratchet or Wrench
2. Large Flat Screwdriver
3. 1/8" Allen Wrench

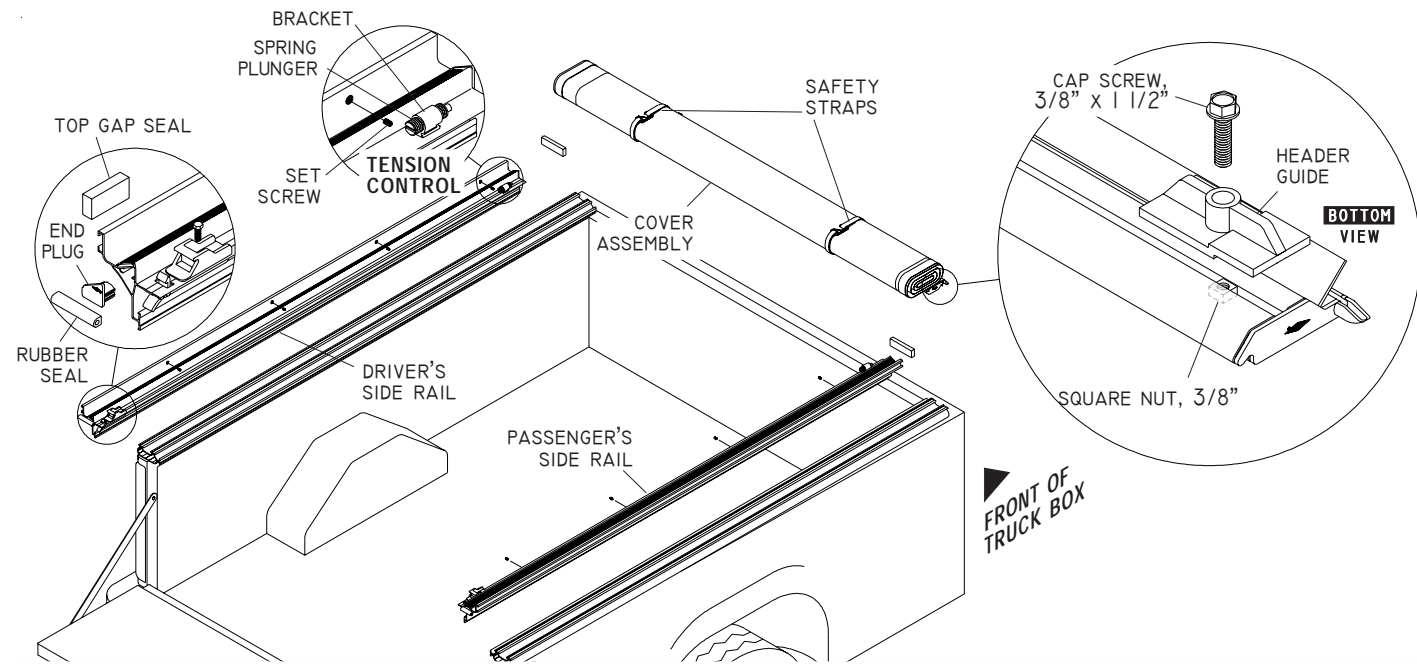
TracTonneau\_IM-F1-A01

**TRACRAC REPLACEMENT PARTS**

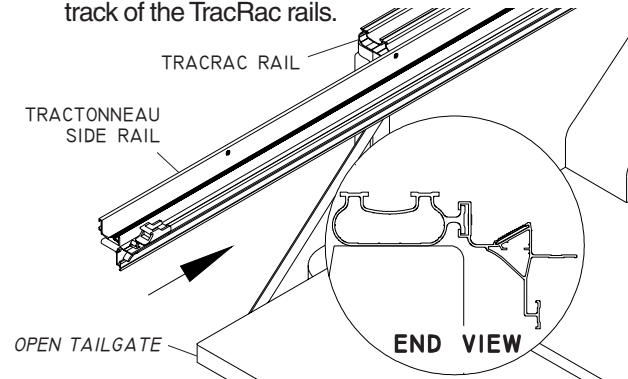
1	*	TracTonneau Replacement Cover	13	*	Black Bow	25	1703639	Toggle
2	*	Black Header	14	1702992	Spring Plunger, 5/8" x 1.94"	26	1700419	Nylon Lock Nut, 5/16"
3	*	Header Seal, Notched	15	1703260	Tension Control Bracket	27	1703265	Toggle Cap
4	1115372	Header End Plugs (Set of Two)	16	1703345	Spring Pin, 1/8" x 5/16"	28	1702611	Cotter Pin, 3/64" x 19/32"
5	1702602	Square Nut, 3/8"	17	*	Shur-Bond™ VELCRO® Fasteners	29	1702926	Cap Screw, 5/16" x 7/8"
6	1115354	Header Insert Safety Clip	18	1703332	Hitch Pin, 1/16" x 1 5/16"	30	1702801	Header Stop
7	*	Safety Strap	19	1703643	Set Screw, 1/4" x 3/8"	31	1703301	Side Rail End Plug, Left
8	1114872	Header Guide	20	*	Side Rail, Passenger's Side	32	1116263	Side Rail End Seal, 3"
9	1703000	Cap Screw, 3/8" x 1 1/2"	21	*	Side Rail, Driver's Side	33	1703300	Side Rail End Plug, Right
10	1115353	Header Safety Strap	22	1114773	Flat Spring, 5/8" x 3 7/8"	34	1116265	Side Rail Cab Seal, 4 1/2"
11	1703344	Blind Rivet, 1/8" x 3/16"	23	1703650	Latch Main Frame	35	1116264	Side Rail Top Gap Seal, 2 5/8"
12	1701595	End Plug, 1" OD	24	1702610	Clevis Pin, 3/16" x 1 1/4"			

\* Please specify length or make and model of vehicle.

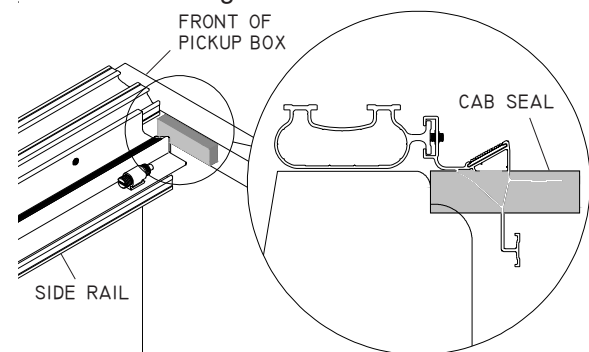
## SIDE RAIL & COVER INSTALLATION



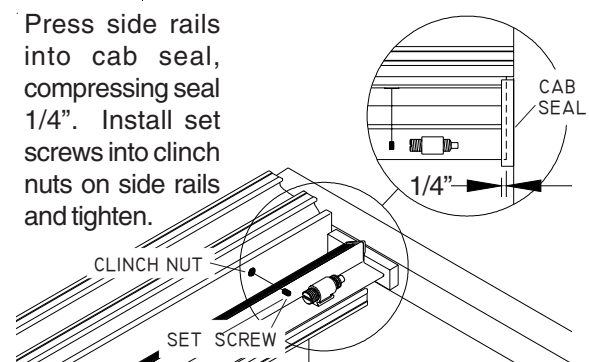
**STEP 1:** Open tailgate and slide the side rails onto the inside track of the TracRac rails.



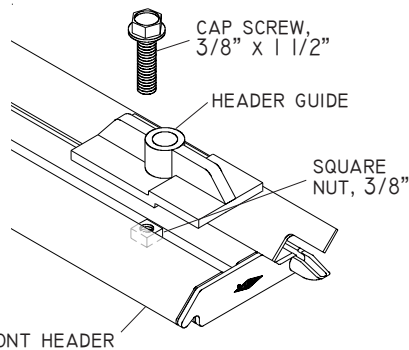
**STEP 2:** Locate cab seal between side rails and front of pickup box. Peel backing and adhere cab seal to box.



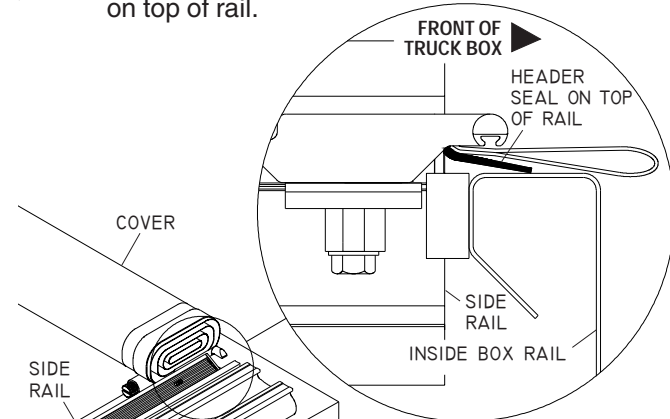
**STEP 3:** Press side rails into cab seal, compressing seal 1/4". Install set screws into clinch nuts on side rails and tighten.



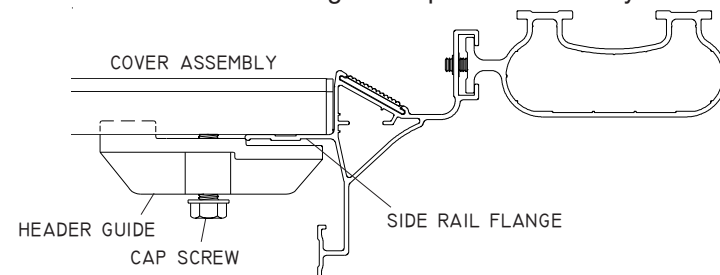
**STEP 4:** Install header guides into front header with 3/8" x 1 1/2" cap screws and 3/8" square nuts as shown. Nuts have been pre-installed into slot in header guide. Finger tighten.



**STEP 5:** Set cover assembly behind cab with header seal on top of rail.

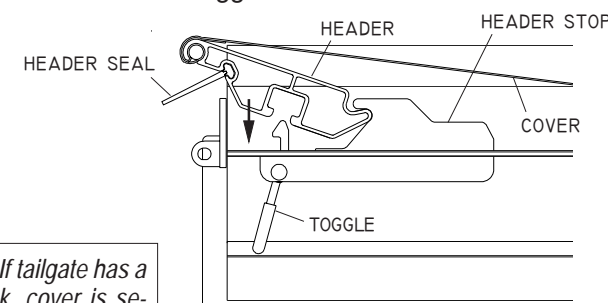


**STEP 6:** Slide header guides into side rail flanges on each side of header. Tighten cap screws securely.

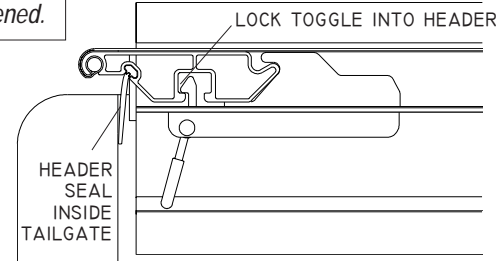


## LATCHING & UNLATCHING COVER

**STEP 7:** Unroll cover toward tailgate and rest bows on side rails. Rotate header into header stops and press down to lock toggle into header.



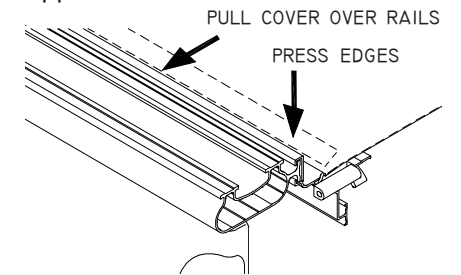
**NOTE:** If tailgate has a key lock, cover is secured until tailgate is unlocked and opened.



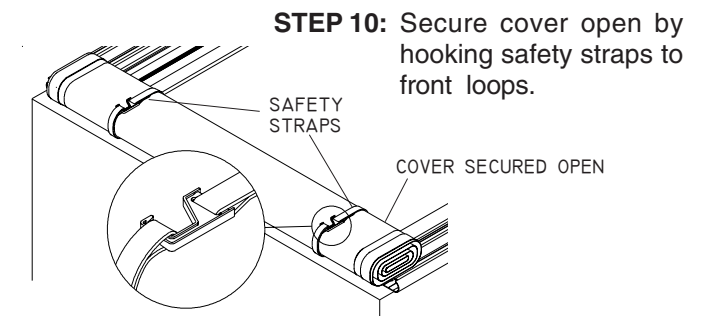
**NOTE:** In cold weather conditions or with some accessories, it may be preferable to close the cover before closing the tailgate. Header seal may be placed across top of tailgate if preferred.

**STEP 8:** Secure Shur-Bond™ fasteners on one side rail, by pressing along full length of rail. Pull cover tight across pickup bed, and secure Shur-Bond™ fasteners on opposite side rail.

**NOTE:** Secure Shur-Bond™ VELCRO® brand fasteners along entire length of both side rails before driving vehicle, to prevent wind lift.

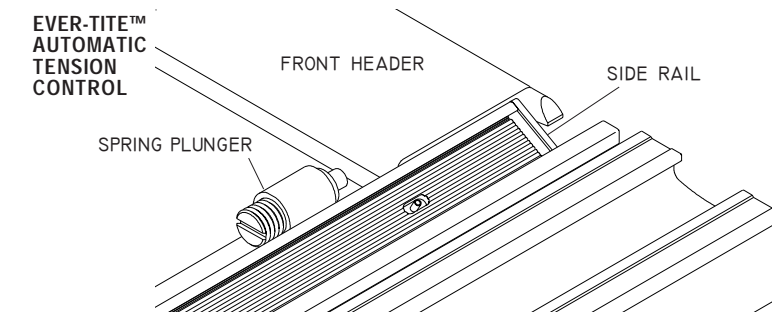


**STEP 9:** To release cover, pull back on toggle. Roll cover toward cab to open. For best results, leave cover fastened to side rails while opening.



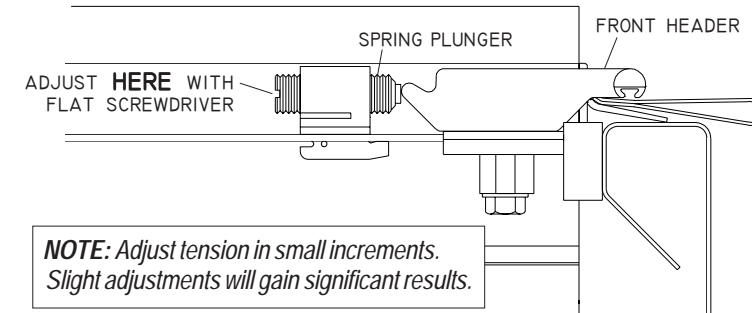
**STEP 10:** Secure cover open by hooking safety straps to front loops.

## COVER TENSION ADJUSTMENT

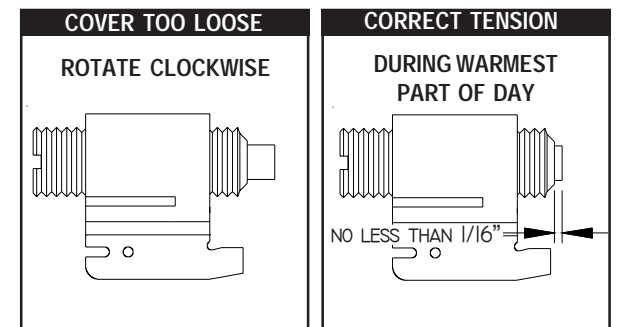


- Spring plunger compensates for material expansion and contraction caused by temperature changes.
- Check cover tension after installation, seasonally, and after extreme temperature changes.
- For best performance, adjust tension regularly to protect your cover against wind wear.

**STEP 11:** Set tension during warmest part of day. With cover closed, release VELCRO® brand loop from both side rails near cab. Check compression of both spring plungers against the front header per diagram. Roll cover open and make adjustments. Close cover and recheck adjustment. Repeat until satisfactory tension has been achieved.



**NOTE:** Adjust tension in small increments. Slight adjustments will gain significant results.



## TROUBLE SHOOTING

### Questions?

Call our friendly customer service staff at TracRac Toll Free:

**1-800-501-1587**

### HEADER WILL NOT LATCH:

Make sure the header seal is not caught between side rail and header.

**FABRIC COVER IS TOO TIGHT OR TOO LOOSE:** See Step 11 to adjust tension.

\* VELCRO® is a registered trademark of the Velcro companies.