



Floor Polisher & Vac Model FP1000



Care and Use Instructions

Customer Services, Ewbank Products Ltd, Billington Road, Burnley
Lancashire, BB11 5ED.

Tel: 01282 835841

www.ewbank.co.uk

DO NOT VACUUM LIQUIDS WITH THIS PRODUCT



Thank you for purchasing your Floor Polisher and Vac,
we hope you enjoy using it.

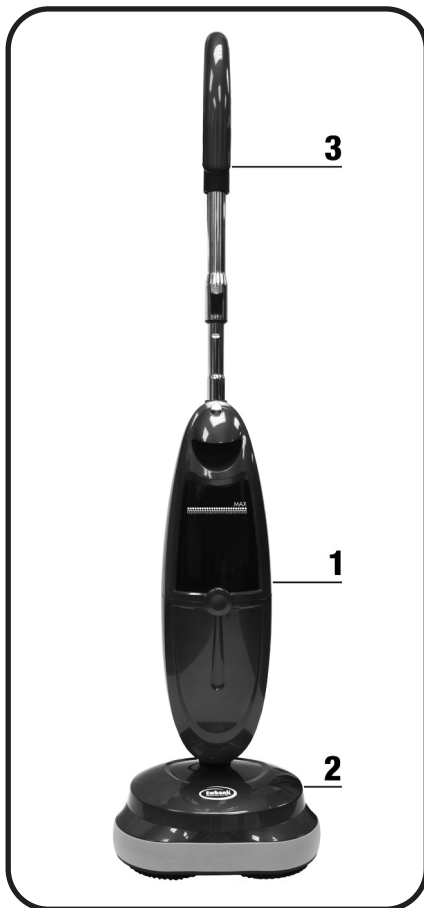
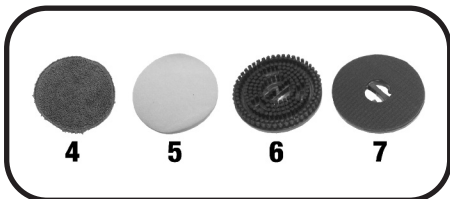
Please read the manual carefully to get the most
out of your product.

Pack Contents:

- 1 - Main body of product
- 2 - Head for scrubbing, polisher and waxing
- 3 - Handle assembly
- 4 - Polishing pads (blue) EB0129
- 5 - Scouring pads (white) EB0130
- 6 - Scrubbing brush plates EB0131
- 7 - Velcro backed plates EB0132
- 8 - Instruction manual

**Read the instruction book before using the
Floor Polisher and Vac and make sure
that...**

- The cable is in perfect condition.
- All packaging materials are removed from the product.



Safety Instructions - CAUTION

- Make sure that the vacuum function of the product is never used on wet surfaces.
- Do not allow machine to run unattended at any time.
- Close supervision is necessary when this machine is used near children. Do not allow it to be used as a toy.
- The machine is designed for household use only, do not expose to rain.
- Whilst in use never turn the machine over, keep machine level during use.
- Use extra care when cleaning on stairs or step-ladders.
- To provide continued protection against the risk of electric shock, connect properly to an earthed socket.
- Use only genuine manufacturer's parts.
- It is recommended that a RCD (residual current device) rated at 30mA is fitted into the mains supply socket for added protection against electric shock.
- Do not immerse power cable, plug or machine in water or any other liquid.
- Do not operate machine in bare feet or when wearing open toe shoes or sandals.
- Do not operate with a damaged power cable, keep feet and all parts of body away from the rotating pads.
Use power cable clip on handle to keep power cable clear of rotating pads.
- Do not pull or carry by power cable, or use power cable as a handle, close door on power cable or pull power cable around sharp edges or corners. Keep power cable away from heated surfaces.
- Unplug cleaner when not in use. Turn all controls off before unplugging from electrical outlet.
- Do not unplug by pulling on power cable. Always grasp the plug, not the power cable. Never handle plug or appliance with wet hands.
- Store in a dry place. Do not expose machine to freezing temperatures.
- This appliance is not intended for use by persons (including children) with reduced physical, sensory or mental capabilities, or lack of experience and knowledge, unless they have been given supervision or instruction concerning use of the appliance by a person responsible for their safety.
- Unplug after use and before cleaning.
- The Ewbank Floor Polisher and Vac is intended for Domestic use and not Commercial use.
- Check pads for embedded grit or hard material before using on floors or scratching may occur.

Floor Polisher and Vac

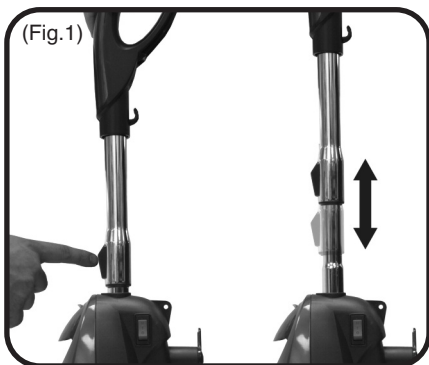
Assembling the Appliance

- Insert the handle into the aperture at the top of the body until the metal securing knob is located (Fig.3).
- Polisher base can be removed from the appliance, press release clip (A) and pull straight out (Fig.2).

Changing the pads and plates on your product

- Make sure appliance is not plugged in before fitting pads.
- Note the orientation of the drive hubs (Fig.4).
- Place the required velcro plate or brush plate over the hub and rotate until the shape lines up.
- Press the plate down to clip into place (Fig.6).
- Always use two plates of the same type, i.e. not 1 brush and 1 pad (Fig.7).
- Simply pull the plates off to remove and change.

Adjust the height of the handle to suit your height (Fig.1)



Using your floor polisher and Vac on various floor types

DO NOT USE ON CARPET

Take care not to slip over when polishing floors, they can become very slippery in the process. Only use dedicated floor products, other inappropriate polishes and waxes may leave the floor dangerously slippery.

In addition to your floor polisher you may need a mop and bucket to clean and polish your hard floor.

Cleaning hard floors with heavy soiling

- Use the brush heads with the vacuum function (switch to position II), to pick up the dry dust and loosen dried on dirt.
- Take care not to scratch the floor if hard dirt gets stuck to the brush heads.



Switch to position II

Spreading floor treatments

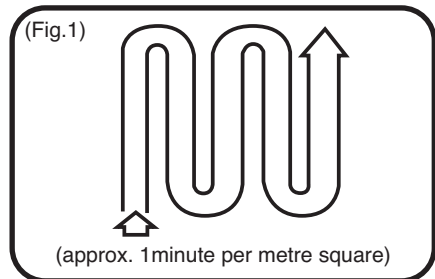
- Always read and follow manufactures instructions for floor treatment products.
- Apply the treatment directly to the floor unless instructions indicate otherwise.
- Use clean brush heads (switch position I), to spread the treatment evenly over the floor area and allow to dry.



Switch to position I

Polishing wax on hard floors

- Once the wax polish has dried on the floor use the blue buffing pads to polish.
- Switch to position I, Keep the polishing head moving, don't stop in one place for a long time or it will spoil the finish.
- Move at a speed of about 1min.per 1m² and follow the diagram for an even finish (Fig.1).
- A glossy finish is not always possible; this depends on the wax or polish used and the type of floor. Sometimes several coats of wax polish will help to get a glossy finish.



Removing old polish

- Read and follow carefully the instructions for your chosen floor polish remover.
- Use the white pads to scrub old polish from the floor.

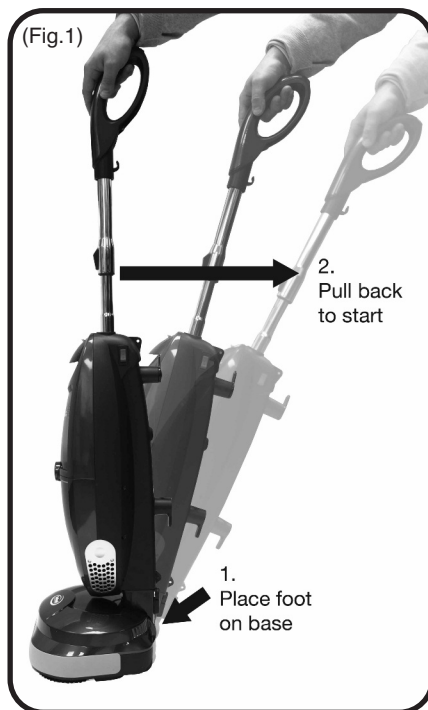
Floor Polisher and Vac

Scrubbing /Cleaning the floor

- Ensure that the scrubbing brushes are attached to the product (see page 4).
- To turn the product on, select setting II (scrubbing and vacuuming).
- With your foot securing the head of the polisher on the floor, pull the handle towards you and the product will start (Fig.1).
- Move the product slowly across the surface of the floor to loosen and collect any debris.
- Collect large debris towards the centre of the base unit to prevent it from being spread across the floor.
- If, during this process the dust container becomes full of debris, please empty it as described below.
- Once this is complete, please turn the product off, before returning it to its upright position.

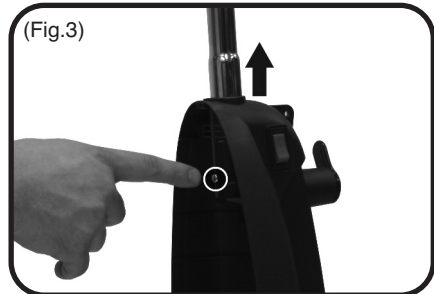
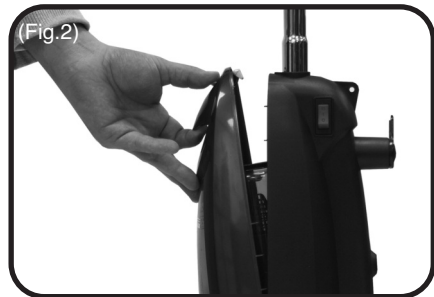
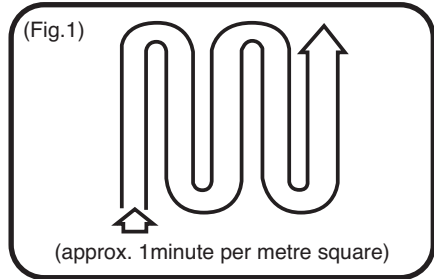
Emptying the dust container

- To remove the dust container, depress the button at the top of the unit, and gently pull it towards you and then upwards (Fig.2).
- Hold with opening lid upwards.
- Slide lock across to open lid (Fig.3).
- Remove blue part (Fig.3-3).
- Empty debris into a bin.



Polishing the floor

- Clean floor thoroughly first before adding your chosen floor wax polish.
- Allow to dry before buffing using blue polishing pads.
- Switch to setting 1, the polishing function WITHOUT the vacuuming function.
- With your foot securing the head of the polisher on the floor, pull the handle towards you and the product will start.
- If you are using a floor polishing wax or oil, refer to the manufacturers' instructions when using with the Ewbank Floor Polisher and Vac.
- Move the product slowly (approx. 1 minute per metre square) across the surface of the floor in the pattern illustrated in (Fig.1).
- Do not leave the product operating in one area for a prolonged period of time as this may damage your floor.



Power Cable Storage

- The electrical power cable can be stored on the rear of the product using the convenient power cable hooks.

Dismantling the Floor Polisher and Vac

- Depress the release clip on the rear of the bottom section of the product (1) and lift the main body of the product to remove it (see page 4, Fig.1).
- Remove the dust container from the front of the product (Fig.2).
- Depress the steel button, then pull the handle section to remove it (Fig.3).

Cleaning and Maintenance

Cleaning the filters

- With the dust container removed, you will have easy access to the filter and the filter holder. The cyclone cone can also be removed once the hinged bottom flap is open, and the dust container empty.
- All these components are washable under the tap – please take care as they are fragile.
- Once clean, the components may be left to dry naturally. Please ensure that these parts are completely dry before reassembling the product.

Floor Polisher and Vac

Cleaning the floor pads

- All pads and floor attachments are washable.
- The Scrubbing brushes (EB0131), and the polishing pads (EB0129 and EB0130) can be washed under the tap with warm soapy water.
- The vacuum and polishing units are not suitable for washing in water, they must be wiped with a damp cloth.

Technical Data

220-240V~50Hz

Rotational speed Approx. 2500 rpm.

Vacuum 18 Kpa

Trouble Shooting

- **Loss of vacuum suction?**
 - Check dust container is emptied.
 - Check dust filter is emptied.

- **Smeary marks are made on floor when polishing.**

- Has the polish/wax been allowed to dry.
- Does old polish/wax need to be removed?

- **No gloss sheen is being produced.**

- Floor wax level may need to be increased, try another coat. Allow to dry and re-polish.
- However some types of floor do not produce gloss finish.

- **Scratches are made on the floor.**

- Check for grit or dirt stuck to the pads or wheels.
- Clean/replace pads or clean wheels.

- **Floor is too slippery.**

- Check the polish/wax is designed to be used on floors. Floor wax should produce a glossy but grippy finish.

INFORMATION ON THE DISPOSAL OF WASTE ELECTRICAL EQUIPMENT KNOWN AS WEEE

Your attention is brought to new directives applicable to the disposal of this electrical equipment, where in accordance with the legislation this product must not be disposed of in your normal household waste. Instead it is your responsibility to dispose of this type of waste by handing it over to special designated collection points for recovery and recycling. This product is marked with a 'Wheelie bin' symbol with a cross on it to remind you of this action. The objective of this directive is to help conserve resources and ensure that it is recycled in a manner that protects human health and the environment. For more information about where you can drop off your waste please contact your local authority, take back facilities are free of charge.



Your Guarantee

This product is covered by a 12 month guarantee.

This does not cover normal wear and tear or abuse.

For guarantee purposes, please retain your original receipt as proof of purchase.

This guarantee does not affect your statutory rights.

For spares, service and further information please contact;

Customer Services, Ewbank Products Ltd, Billington Road, Burnley, Lancashire, BB11 5ED

Tel: 01282 835841

www.ewbank.co.uk

Made in China

EB0110 27/10/10