



*ionmax*<sup>®</sup>

COOL MIST ULTRASONIC  
**HUMIDIFIER**

ION50



**USER MANUAL**

## DEAR CUSTOMERS

Thank you for purchasing the Ionmax Ion50 Cool Mist Ultrasonic Humidifier.

The Ionmax Ion50 reintroduces moisture into the air to help you maintain a comfortable humidity level in your home. It can help to efficiently relieve respiratory ailments such as colds, flus or hay fever caused by dry air.

Please read this manual carefully before use to ensure proper usage. Save these instructions for future reference.

This package includes:

- Ionmax Ion50
- User manual

## CONTENTS

SAFETY INSTRUCTIONS	4
CONSUMER SAFETY INFORMATION	5
CORD AND PLUG INSTALLATION SAFETY INSTRUCTIONS	5
FEATURES	5
SPECIFICATIONS	6
PRODUCT DIAGRAM	6
PRE-OPERATION INSTRUCTIONS	7
OPERATING INSTRUCTIONS	8
ATTENTION!	8
CLEANING AND MAINTENANCE INSTRUCTIONS	9
STORING THE HUMIDIFIER	10
TROUBLESHOOTING GUIDE	10
WARRANTY DETAILS	11
WARRANTY REGISTRATION	12

## SAFETY INSTRUCTIONS

WHEN USING ELECTRICAL APPLIANCES, BASIC SAFETY PRECAUTIONS SHOULD ALWAYS BE FOLLOWED TO REDUCE THE RISK OF FIRE, ELECTRIC SHOCK, AND INJURY TO PERSONS, INCLUDING THE FOLLOWING:

- Check the household voltage to ensure it matches the units rated specification before operating.
- Children should be supervised to ensure that they do not play with the appliance.
- DO NOT add water from moisture outlet directly, or it will hurt the unit.
- Do not allow children to play with any product packaging, such as plastic bags.
- To avoid fire hazard, NEVER put the cord under furniture, near heat registers, radiator, stoves, and heaters.
- DO NOT place humidifier near heat sources such as stoves, radiators, and heaters. Do locate your humidifier on an inside wall near an electrical outlet. The humidifier should be at least 10cm away from the wall for best results.
- Do not attempt to refill humidifier without first unplugging the unit from it's electrical outlet.
- DO NOT operate any appliance with a damaged cord or plug, after the appliance malfunctions, or if it has been dropped or damaged in any manner. Return appliance to manufacturer for examination, electrical or mechanical adjustment, or repair.
- DO NOT allow the moisture outlet to directly face the wall or furniture.
- NEVER tilt, move, or attempt to empty unit while it is operating.
- Shut off and unplug before removing the water tank and moving the unit.
- DO NOT attempt to repair or adjust any electrical or mechanical functions on this unit. Doing so will void your warranty. The inside of the unit contains no user serviceable parts. All servicing should be performed by qualified personnel only.
- Do not plug in the cord with wet hands: electric shock could result.
- NEVER use detergents, gasoline, glass cleaner, furniture polish, and paint thinner, or other household solvents to clean any part of the humidifier.
- Do not pour water in any openings other than the water tank.
- Excessive humidity in a room can cause water condensation on windows and some furniture. If this happens, turn the humidifier OFF.
- Never place housing under water flow or immerse in liquids.

## CONSUMER SAFETY INFORMATION

Note: This is an electrical appliance and requires attention when in use.

Note: If moisture forms on the walls or windows of the room, turn off the humidifier. The room already has plenty of humidity and additional moisture may cause damage. Do not block air inlet or outlet.

## CORD AND PLUG INSTALLATION SAFETY INSTRUCTIONS

The length of cord used on this appliance was selected to reduce the hazards of becoming tangled in, or tripping over a longer cord. If a longer cord is necessary an approved extension cord may be used. The electrical rating of the extension cord must be equal to or greater than the rating of the humidifier. Care must be taken to arrange the extension cord so that it will not drape over the countertop or tabletop where it can be pulled on by children or accidentally tripped over.

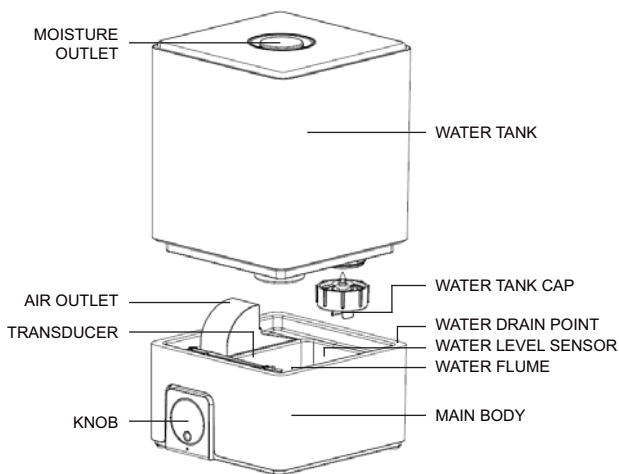
## FEATURES

- Easy-to-operate control knob.
- Large water tank capacity allows unit to operate for up to 10 hours.
- 360° rotation mist outlet.
- Automatically switches off when water tank is empty.
- Tank empty indicator

## SPECIFICATIONS

<b>Performance</b>	<b>Moisture Capacity</b>	350ml/h
	<b>Coverage Area</b>	Up to 25m <sup>2</sup>
<b>Specifications</b>	<b>Model</b>	Ionmax ION50
	<b>Input Voltage</b>	220-240V, 50Hz
	<b>Water Tank Volume</b>	4.2L
	<b>Rated Power</b>	30W
	<b>Weight</b>	1.5 KG
	<b>Dimensions</b>	170 (L) x170 (W) x 285 (H) mm

## PRODUCT DIAGRAM



## PRE-OPERATION INSTRUCTIONS

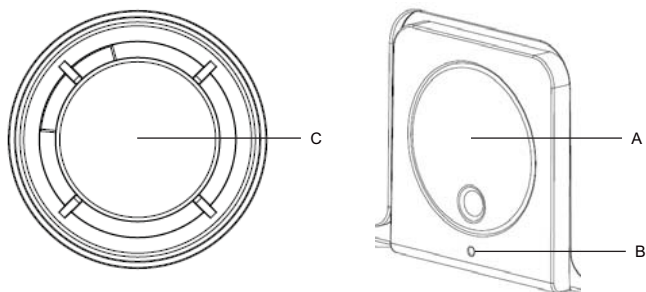
### PRE-OPERATION

1. Please ensure the unit is switched off and disconnected from the electrical outlet.
2. Place the unit on a flat surface, about 60cm above the floor and 10cm away from the wall. Do not place the unit on or near moisture-sensitive surfaces or furniture.
3. Remove the water tank by holding the handle and lifting it straight upward (see Product Diagram, p.6).
4. Twist off the tank cap located on the bottom of the tank by turning it counter clockwise. Fill the water tank with cool, fresh water.
5. After filling the tank, replace the tank cap by turning it clockwise (do not overtighten) and then replace the water tank onto the base. The tank will immediately begin to empty into the base.
6. Plug in the unit's power cord into a 220-240V AC electrical outlet.

### REFILLING THE TANK

1. Please ensure the unit is switched off and disconnected from the electrical outlet.
2. Remove the water tank by holding the handle and lifting it straight upward (see Product Diagram, p. 6)
3. Remove cap located on bottom of the unit.
4. Empty remaining water from the tank.
5. Fill the tank with cool fresh water.
  - Do not fill the tank with warm water as this may cause leakage.
  - Do not use essential oils as this may damage the unit.
6. Carefully empty any remaining water from the base
  - Always pour water from the base towards the water drain point (see Product Diagram, p. 6).
7. Replace tank onto the base.

## OPERATING INSTRUCTIONS



### 1. Power and moisture control knob

- Turn the knob (A) clockwise to turn the humidifier on and increase the mist emission.
- Turn the knob (A) anticlockwise to reduce the mist emission and turn the humidifier off.

### 2. Indicator light (B) for power or waterless

- Indicator light for power on: Green.
- Indicator light for waterless: Red.

If the indicator light turns red, refill the water tank as per refilling instructions.

### 3. Mist outlet (C)

- Aim mist outlet away from walls and furniture.

## ATTENTION!

If condensation forms on your windows or walls, please turn the humidifier off.

## CLEANING AND MAINTENANCE INSTRUCTIONS

In the winter, the lack of humidity can dry out your skin and cause irritated nasal, frequent colds, sore throats and etc. Humidifiers provide relative humidity to protect our health. To get the most of the benefit from the humidifier and avoid product failure, follow all maintenance instructions carefully. If the recommended care and maintenance guidelines are not followed, micro-organisms may be able to grow in the water within the humidifier.

### DAILY MAINTENANCE

- Before cleaning, turn the power to OFF and unplug the unit from the electrical outlet.
- Lift off the tank and the housing of the humidifier.
- Carry the water tank to a sink, then drain and rinse the water tank thoroughly to remove any sediment and dirt. Wipe clean and dry with a clean soft cloth or paper towel.
- Refill the water tank with cool tap water as instructed in filling the water tank instructions.

### WEEKLY MAINTENANCE

- Repeat steps 1-3 above.
- Fill one cup of white vinegar (about 200ml) to the basin for about 15 minutes, then wipe off the scale in the basin especially in the transducer with a soft brush provided.
- Remove the scale and white vinegar solution with a clean soft cloth.

### CAUTION OF MAINTENANCE

- Make sure main body is never submerged into water.
- Do not use any solvents or aggressive cleaning agents to clean the humidifier.
- Clean the inner parts with a soft cloth.
- Only use the brush to clean the transducer. This should be done once a week.
- Only use the soft-bristle portion of the brush.
- Change the water in the water tank at least once a week if water is standing for more than one week.



## STORING THE HUMIDIFIER

1. Clean the humidifier as described earlier and dry thoroughly.
2. Preferably store the humidifier in its original box.
3. Avoid high temperatures.

## TROUBLESHOOTING GUIDE

<b>Trouble</b>	<b>Probable Cause</b>	<b>Solution</b>
Humidifier does not operate.	Power cable not plugged in.	Plug in power cable.
The power light is on, but there is no mist produced.	No water in water tank.	Fill tank with water.
The water mist produces an unpleasant smell.	New machine.	Open the water tank and leave it for 12 hours in a shady and cool place.
	Dirty water or the water was left in the water tank for too long.	Clean the water tank and change the water.
The power light is on, but the humidifier doesn't work.	Too much water in the water flume.	Pour away some water from the water flume.
The output volume of the mist is low.	The transducer is dirty.	Clean transducer with a soft brush.
	Dirty water or the water was left in the water tank for too long.	Clean the water tank and change the water.
Abnormal noise.	Resonance in water tank when water level is low.	Refill the water tank.
	Unit is on an unstable surface.	Move the unit to a stable flat surface.
Very tight tank cap.	Over tightened.	Add liquid soap to cap gasket to help loosen it.



## WARRANTY DETAILS

**Congratulations on your purchase!** It is our aim to provide you with quality products that you can trust. Our products come with guarantees that cannot be excluded under the Australian Consumer Law. You are entitled to a replacement or a refund for a major failure and for compensation for any other reasonably foreseeable loss or damage.

You are also entitled to have the goods repaired or replaced if the goods fail to be of acceptable quality and the failure does not amount to a major failure.

### The Guarantee

The product is guaranteed to be free from defects in workmanship and parts for a period of 12 months from date of purchase for domestic use and 3 months for commercial use. Defects that occur within this warranty period, under normal use and care, will be repaired, replaced or refunded at our discretion, solely at our option with no charge for parts and labour. The benefits conferred by this warranty are in addition to all rights and remedies in respect of the product that the consumer has under the Trade Practises Act and similar state laws.

### Proof of Purchase

This warranty is valid for the original purchase and is not transferable. Please keep your purchase docket or receipt as proof of purchase and as proof of date on which the purchase was made. The purchase docket (or a copy) or receipt must be presented with the warranty when making a claim under this warranty.

### Service during the Warranty Period

Please ensure that the RA# (Return Authorisation Number) is clearly stated on the outside of the packaging. Don't have one? Call us on 1300 800 200 and we'll get you one. Please ensure the product is properly packaged so as to ensure that no damage occurs to the product during transit.

### Extent of Warranty

This warranty is limited to defects in workmanship or parts. All defective products or parts will be repaired or replaced. This warranty does not cover manuals and packaging.

### Normal Wear and Tear

This warranty does not cover normal wear and tear to the product or parts.

### Exclusions

This warranty does not cover:

- Any defect caused by an accident, misuse, abuse, improper operation, lack of reasonable care, unauthorised modification, loss of parts, tampering or attempted repair by a person not authorised by the distributor.
- Any product that has been damaged by a lightning strike either directly or indirectly or a mains power surge or liquid ingress.
- The product if it is located outside of Australia.
- Any damage caused by improper power input or improper cable connection.

---

**Andatech Corporation Pty. Ltd.**

PO Box 3038, Nunawading VIC 3131, Australia.

Phone: 1300 800 200 Fax: 1300 883 802 Email: [info@andatech.com.au](mailto:info@andatech.com.au)

A circular logo with a thick black border. Inside the circle, the text "1 YEAR" is written in a large, bold, sans-serif font, and "WARRANTY" is written in a smaller, bold, sans-serif font directly below it.

**1 YEAR**  
WARRANTY

## WARRANTY REGISTRATION

Register your Ion50 online at [my.andatech.com.au](http://my.andatech.com.au) or fill out this form and forward to the address below with a copy of your proof of purchase. Contact us on 1300 800 200 or visit [www.andatech.com.au](http://www.andatech.com.au) for options to extend your warranty.

**Andatech Corporation Pty Ltd**  
**PO Box 3038, Nunawading VIC 3131, Australia.**

Product	:	<b>Ionmax Ion50</b>
Date of Purchase	:	_____
Place of Purchase	:	_____
Serial No.	:	_____
Surname	:	_____
Given Name	:	_____
Address	:	_____
Suburb	:	_____
Postcode	:	_____
State	:	_____
Contact No.	:	_____
Email	:	_____





ionmax.com.au  
1300 800 200

Version 1.0 updated 3.03.2015