

Chroma-Q® Inspire™

User Manual



Chroma-Q®
BRILLIANT SOLUTIONS

Version 1.5 August 2015, Software Version 2.1

PN: 632-0700

Warranty Statement

Chroma-Q warrants to the original purchaser, with proof of purchase, that its delivered Inspire models shall be free from defects in material and workmanship under normal use for a period of 36 months from date of shipment.

Chroma-Q will repair, or at its option, provide an equivalent item or replace, the defective product during the stated warranty period. This warranty applies only to the repair or replacement of the product and only when the product is properly handled, installed and maintained according to Chroma-Q instructions. This warranty excludes defects resulting from improper handling, storage, installation, acts of God, fire, vandalism or civil disturbances. Purchaser must notify Chroma-Q in writing within 14 days of noticing the defect. This warranty excludes field labour or service charges related to the repair or replacement of the product.

The warranty contained herein shall not extend to any finished goods or spare parts from which any serial number has been removed or which have been damaged or rendered defective (a) as a result of normal wear and tear, willful or accidental damage, negligence, misuse or abuse; (b) due to water or moisture, lightning, windstorm, abnormal voltage, harmonic distortion, dust, dirt, corrosion or other external causes; (c) by operation outside the specifications contained in the user documentation; (d) by the use of spare parts not manufactured or sold by Chroma-Q or by the connection or integration of other equipment or software not approved by Chroma-Q unless the Customer provides acceptable proof to Chroma-Q that the defect or damage was not caused by the above; (e) by modification, repair or service by anyone other than Chroma-Q, who has not applied for and been approved by Chroma-Q to do such modification, repair or service unless the Customer provides acceptable proof to Chroma-Q that the defect or damage was not caused by the above; (f) due to procedures, deviating from procedures specified by Chroma-Q or (g) due to failure to store, install, test, commission, maintain, operate or use finished goods and spare parts in a safe and reasonable manner and in accordance with Chroma-Q's instructions (h) by repair or replacement of engines without factory training.

The warranty contained herein shall not apply to finished goods or spare parts which are sold "as is", as "second-hand", as used", as "demo" or under similar qualifications or to Consumables ("Consumables" is defined as any part(s) of goods or part(s) for use with goods, which part(s) of goods or part(s) for use with goods are consumed during the operation of the goods and which part(s) of goods or part(s) for use with goods require replacement from time to time by a user such as, but not limited to, light bulbs).

The warranty contained herein shall not apply, unless the total purchase price for the defective finished goods or spare parts has been paid by the due date for payment.

The warranty contained herein applies only to the original purchaser and are not assignable or transferable to any subsequent purchaser or end-user.

This warranty is subject to the shipment of the goods, within the warranty period, to the Chroma-Q warranty returns department, by the purchaser, at the purchasers expense. If no fault is found, Chroma-Q will charge the purchaser for the subsequent return of the goods.

Chroma-Q reserves the right to change the warranty period without prior notice and without incurring obligation and expressly disclaims all warranties not stated in this limited warranty.

Disclaimer

The information contained herein is offered in good faith and is believed to be accurate. However, because conditions and methods of use of our products are beyond our control, this information should not be used in substitution for customer's tests to ensure that Chroma-Q products are safe, effective, and fully satisfactory for the intended end use. Suggestions of use shall not be taken as inducements to infringe any patent. Chroma-Q sole warranty is that the product will meet the sales specifications in effect at the time of shipment. Your exclusive remedy for breach of such warranty is limited to refund of purchase price or replacement of any product shown to be other than as warranted.

Chroma-Q reserves the right to change or make alteration to devices and their functionality without notice due to our on going research and development.

The Chroma-Q Inspire range has been designed specifically for the lighting industry. Regular maintenance should be performed to ensure that the products perform well in the entertainment environment.

If you experience any difficulties with any Chroma-Q products please contact your selling dealer. If your selling dealer is unable to help please contact support@chroma-q.com. If the selling dealer is unable to satisfy your servicing needs, please contact the following, for full factory service:

Outside North America:

Tel: +44 (0)1494 446000

Fax: +44 (0)1494 461024

support@chroma-q.com

North America:

Tel: 416-255-9494

Fax: 416-255-3514

support@chroma-q.com

For further information please visit the Chroma-Q website at www.chroma-q.com.

Chroma-Q and Inspire are trademarks, for more information on this visit www.chroma-q.com/trademarks.

The rights and ownership of all trademarks are recognised.

Important Notice:

As per the requirements in the Occupational Safety and Health Administration standards for product approval, please refer to the OSHA web pages <http://www.osha.gov/dts/otpca/nrtl/> for information on the list of Nationally Recognized Testing Laboratories (NRTLs) and the scope of recognition.



Table of Contents

1. Product overview	4
2. Operation	4
2.1 Unpacking the Units.....	4
2.2 Cabling	5
2.3 Mounting	5
2.4 Optional Inspire Ceiling Installation Kit.....	5
2.5 Optics.....	6
2.6 Control	6
2.7 DMX Protocol – Inspire	11
2.8 Thermal Performance	13
3. Troubleshooting	13
4. Specification.....	14
4.1 Technical Specifications.....	14
4.2 Drawings – Dimensions	15
5. Maintenance.....	15
6. Ceiling Installation Procedure	16

1. Product overview

The new Chroma-Q® Inspire™ LED house light is a powerful multi-purpose creative lighting tool that utilises some of the innovative core technologies found in the incredibly popular Chroma-Q Color Force™ range. The Inspire provides a choice of beautiful whites, soft pastels and bold saturates - all from one fixture. By incorporating industry standard DMX-512 control, the Inspire is able to integrate seamlessly with an existing DMX infrastructure and can be controlled by any DMX supported lighting console. With fully homogenised colour mixing and a choice of three different lens options, the Inspire provides an excellent selection of stunning mixed colours and 'true' whites, with no unsightly colour separation shadows. It also features an energy-efficient compact LED design providing reduced maintenance and running costs.

The Inspire fixture is built with a single light engine featuring 36 high powered LEDs (combination of white, red, green and blue). Each model is equipped with a built-in power supply and can operate as a standalone unit or be remotely controlled through the ANSI E1.11 USITT DMX 512-A protocol. The control options incorporate a choice of multiple channel intensity control, effects and a dynamic Variable Effects Engine integrated in the software, which gives the user full control of the effects combination.

The product's robust anodised aluminium extruded construction houses a discreet cable management system and additional protection built around the optics.



Note: HANDHELD COLOUR METERS

Handheld Colour Meters provide a limited measuring range for LED fixtures, which results in inconsistent and unreliable data. All photometric values listed in this document are based on testing and measurements conducted by certified independent laboratories with reference to the IES standards.

2. Operation

2.1 Unpacking the Units

The Inspire package includes 1 unit Inspire fixture, power connector (EU) or power cord (US), safety chain and a Quick Start Guide. We recommend that you keep the original packaging in case the item needs to be returned.

2.2 Cabling

The Inspire fixture utilises a powerCon connector for power input. The DMX control data input and through connections from an external control console are via two XLR 5-pin connectors. The chassis are ground bonded.

XLR 5-pin Cable:

Pin#	Function
1	Ground (Screen)
2	Data Minus
3	Data Plus
4	Spare Data Minus
5	Spare Data Plus

Power Cable:

International Colour Code	North American Colour Code	Connections	
Green and Yellow	Green	Earth (E)	Ground (Green)
Blue	White	Neutral (N)	Neutral (Silver)
Brown	Black	Live (L)	Hot (Gold)

Important Notice: The use of an opto-splitter for DMX signal distribution is highly recommended when several fixture units are not plugged into the same power source.

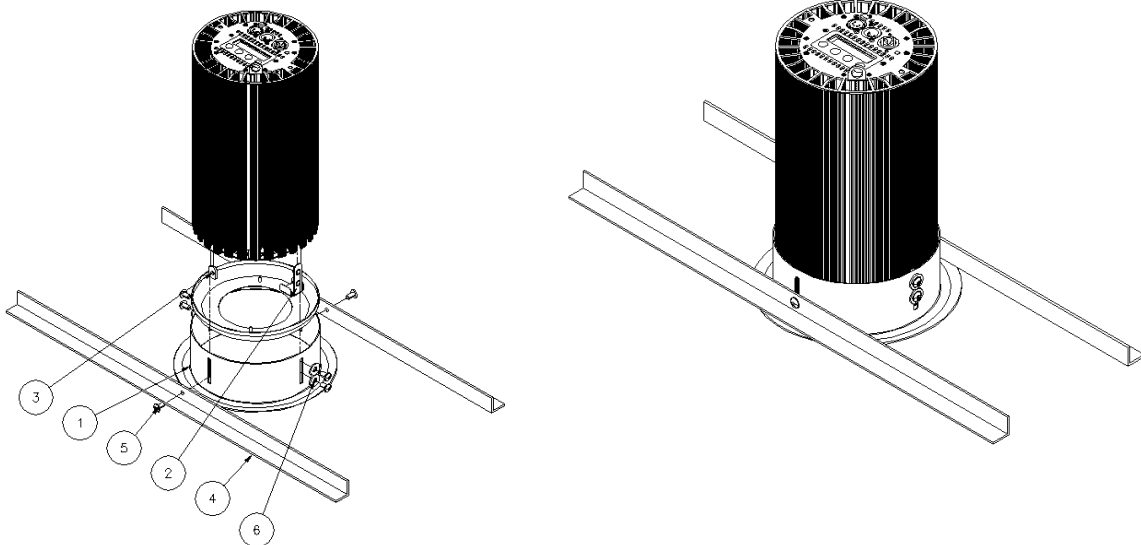
2.3 Mounting

The Inspire fixture is equipped with a built-in mounting bracket for overhead hanging applications. Secure the fixture with a safety bond. A provision for a fixing hold is built into the fixture.

2.4 Optional Inspire Ceiling Installation Kit

The Inspire fixture can be mounted on a ceiling with the Inspire Ceiling Installation Kit, which consists of the following items: (See Table & Drawing below; see Ceiling Installation Procedure on page 16 of this User Manual)

1	Trim Ring Inspire Black
2	Bracket Hook
3	T-Nut ¼-20" Economy 15S
4	Angle support ceiling mounting
5	Screw Flanged Button Socket ¼-20 x ¾"
6	Washer



Caution: The angle supports of the ceiling installation kit must be mounted or attached to the ceiling with the appropriate load capacity.

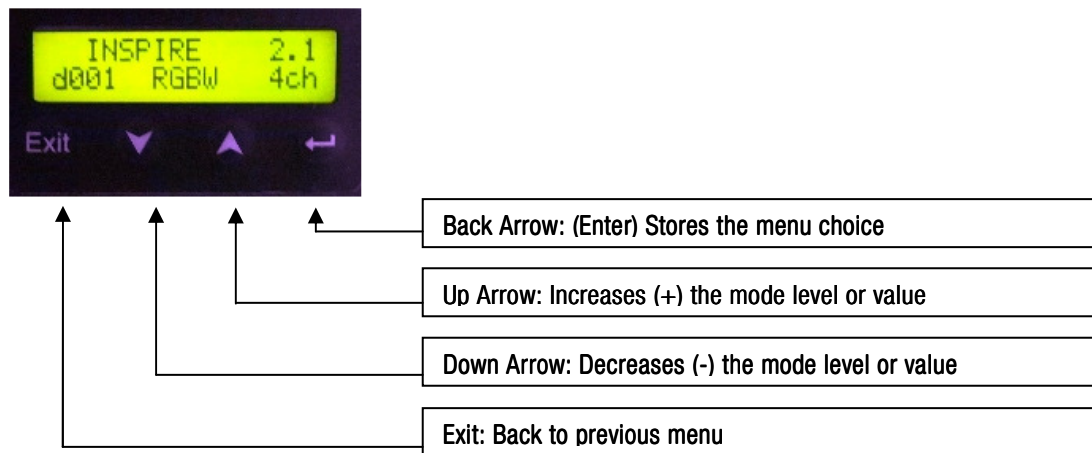
2.5 Optics

The Inspire fixture can be built with either Narrow, Medium or Wide lens. The beam angles are:

Narrow	~ 32°
Medium	~ 42°
Wide	~ 65°

2.6 Control

The Inspire fixture can operate as a standalone unit or be controlled remotely via ANSI E1.11 USITT DMX512-A protocol. The control functions can be accessed through the LCD display at the rear of the fixture with 4 push buttons.



Power-Up Display:

On power-up and home position, the display shows the Main Menu:

- model name
- software version
- the DMX address
- current assigned mode
- number of assigned channels

Display Mode:

The LCD is backlit when you access the menus. This will turn off when left undisturbed for 5 seconds.

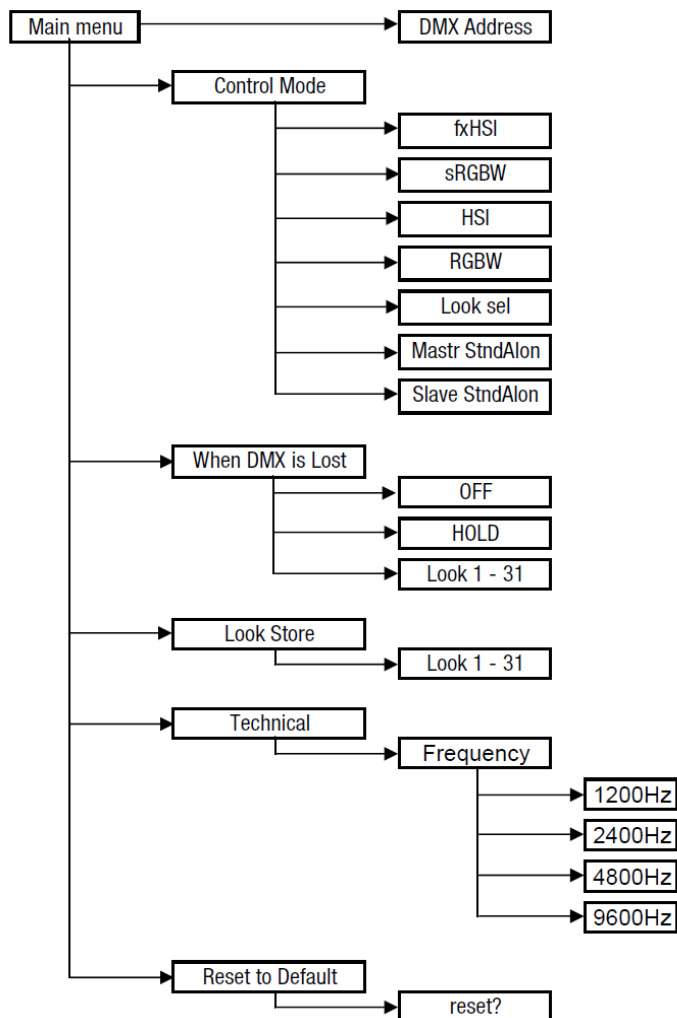
Control Modes:

The Inspire fixture consists of a single LED engine with a combination of 6 Red LEDs, 6 Green LEDs, 6 Blue LEDs and 18 Neutral White LEDs for a total of 36 LEDs.

No.	Display	Ch	Description
1	fxHSI	7	4 x channels for Effects + Hue, Saturation, Intensity
2	sRGBW	5	1 x Intensity Effects Channel + Red, Green, Blue, White
3	HSI	3	Hue, Saturation & Intensity
4	RGBW	4	Red, Green, Blue, White
11	Look sel	1	Look Select (Effects engine, programmable presets and user programmed Looks)
12	Mastr StndAlon		Assigns the unit as Master in standalone operation
13	Slave StndAlon		Assigns the unit as Slave in standalone operation

Internal FX engine: integrated in the software is an internal Fx engine with variable parameters to create an unlimited amount of unique lighting effects.

Control Menu



- Use the **Up** and **Down** arrows to navigate the control menu options
- Press the **Back** arrow (Enter) to select a control menu option
- Press and hold the **Back** arrow (Enter) to save the setting
- Press **Exit** to return to the Main Menu

Main Menu

The Main Menu displays:

- Model name
- Control software version
- DMX start address
- Control Mode
- Number of channels

DMX Address

To set the DMX start address,

1. From the Main Menu, press **Enter**
2. Press **Up** or **Down** to adjust DMX start address
3. Press **Enter** for 2 seconds to save and return to the Main Menu.

→ Control Mode

The Inspire fixture can be set to operate in 5 DMX controlled modes and 2 standalone modes. Refer to the list below for details.

To set the Control Mode,

1. From the Main Menu, press **Up** or **Down** to access the Control Mode
2. Press **Enter** and then **Up** or **Down** to select the mode
3. Press **Enter** for 2 seconds to save

The display returns to Control Mode and then the Main Menu.

Control Mode - Software Version 2.1

Mode	Display	Ch	Description
1	fxHSI	7	4 x Effects, Hue, Saturation, Intensity
2	sRGBW	5	Intensity Effects, Red, Green, Blue, White
3	HSI	3	Hue, Saturation, Intensity
4	RGBW	4	Red, Green, Blue, White
11	Look sel	1	Look Select
12	Mastr StndAlon		Unit assigned as Standalone Master
13	Slave StndAlon		Unit assigned as Standalone Slave

→ When DMX is Lost

If DMX is not detected, various output options can be selected:

OFF	Fixture has no light output
HOLD	Fixture holds the last valid DMX state
LOOK 01 – 31	Fixture snaps to the selected Look

To set the option When DMX is Lost,

1. From the Main Menu, press **Up** or **Down** to access When DMX is Lost
2. Press **Enter**, then press **Up** or **Down** select the option
3. Press **Enter** for 2 seconds to save

The display returns to When DMX is Lost and then the Main Menu.



Look Store

The Inspire fixture has 31 internal preset FX Looks for standalone operation, 1-23 are pre-programmed.

To replay a Look in standalone operation,

1. From the Main Menu, press **Up** or **Down** to access Look Store
2. Press **Enter**, press **Up** or **Down** to select a Look
3. Press **Enter** for 2 seconds to save

The display returns to Look Store and then the Main Menu.

The fixture plays back the assigned Look.

To replay a Look with a DMX console,

1. From the Main Menu, press **Up** or **Down** to access Control Mode
2. Press **Enter**, then press **Up** or **Down** to select **Look sel**
3. Press **Enter** for 2 seconds to save
4. Use the external DMX console with the assigned DMX channel to playback the various looks stored. (1-31 looks in 1 single channel)

The display returns to Control Mode and then the Main Menu.

Note: DMX has priority over internal Looks

Recording user programmed Looks:

Looks can be recorded to the internal flash memory by users and will be preserved on power down. However, looks will be returned to default setting if Reset is performed. There are two ways to record a look:

Simple, with DMX console

1. Set the fixture to the desired Control Mode.
2. Use an external DMX console to adjust the channel levels and create the desired look or effect.
3. Press **Up** or **Down** to select Look Store
4. Press **Enter**, press **Up** or **Down** to select the Look number
5. Press **Enter** for 2 seconds to save the Look

Advanced, standalone (DMX is unplugged)

1. From the Main Menu, press **Up** or **Down** to select Look Store
2. Press **Enter**, then press **Up** or **Down** to select a Look
3. Press **Enter** to access the memory data. The data is presented as two numbers separated by a letter "c". The number to the left of the "c" is the channel number and to the right is the channel level. Pressing **Up** or **Down** up to the far end will show the Mode at which the selected Look was programmed.

Proceed to edit the Mode, the channels numbers and levels of a selected Look.

To edit the Mode of a selected Look:

1. From the Main Menu, press **Up** or **Down** to select Look Store
2. Press **Enter**, then press **Up** or **Down** to select a Look
3. Press **Enter** to access the memory data.
4. Press **Up** or **Down** up to the far end until Mode number is shown
5. Press **Enter**, then press **Up** or **Down** to adjust the Mode number
6. Press **Enter** to navigate back to the channel numbers
7. When editing is complete, press **Enter** for 2 seconds to save

The modified Look will be stored in the selected Look Store number.

To edit the channel numbers and levels of a selected Look:

1. From the Main Menu, press **Up** or **Down** to select Look Store
2. Press **Enter**, then press **Up** or **Down** to select a Look
3. Press **Enter** to access the memory data.
4. Press **Up** or **Down** to select the channel number.
5. To edit the channel level, press **Enter** and **Up** or **Down** to adjust the level (shown as 0-255).
6. Press **Enter** to navigate back to the channel number.
7. When the desired effect is created press **Enter** for 2 seconds to save

The modified Look will be stored in the selected Look Store number.

→ Technical

In this mode, the frequency setting of the fixture can be changed. The Inspire fixture has four frequency settings available - 1200, 2400, 4800, 9600. This allows for the LED scan rate to be synchronised with the video camera and avoid a flickering effect.

To set the frequency,

1. From the Main Menu, press **Up** or **Down** to select Technical
2. Press **Enter**, then press **Up** or **Down** to select the Frequency
3. Press **Enter** for 2 seconds to save

The display returns to Technical and then the Main Menu.

→ Reset to Default

To reset the fixture to the factory default settings,

1. From the Main Menu, press **Up** or **Down** to select Reset to Default
2. Press **Enter**, display shows “reset?”
3. Press **Enter** and hold until display shows “resetting” and “done” when complete

The display returns to Reset to Default and then the Main Menu.

All control menu commands are reset to factory defaults:

DMX address	001
Control Mode	RGBW
When DMX is Lost	HOLD
Look Store	01
Frequency	1200

2.7 DMX Protocol – Inspire

DMX Personality Mode 1-2:

Inspire V2.1	Control Mode 1 [7ch] fxHSI	Control Mode 2 [5ch] sRGBW
Channel 1	Colour Speed 0-255 Variable speed of colour scrolling. Static at 0 to max at 255.	Intensity Effects 0 Static 1-63 Fade on, fade off. Variable, 63 fastest 64-127 Fade on, snap off. Variable, 127 fastest 128-191 Snap on, fade off. Variable, 191 fastest 192-255 Snap on, snap off (strobe). Variable, 255 fastest.
Channel 2	Colour Range 0 Full spectrum 1-255 Variable limit of spectrum for colour scrolling. Single colour at 1, full spectrum at 255.	Red
Channel 3	Colour Step 0-255 Variable control of smoothness of colour scrolling. Smoothest at 0. Most coarse is at 250. Rate will vary with scrolling speed. 255 will override effects and switch to RGB.	Green
Channel 4	Intensity Effects 0 Static 1-63 Fade on, fade off. Variable, 63 fastest 64-127 Fade on, snap off. Variable, 127 fastest 128-191 Snap on, fade off. Variable, 191 fastest 192-255 Snap on, snap off (strobe). Variable, 255 fastest.	Blue
Channel 5	Hue	White
Channel 6	Saturation	
Channel 7	Intensity	
Total	7 DMX channels	5 DMX channels

DMX Personality Mode 3-4:

Inspire V2.1	Control Mode 3 [3ch] HSI	Control Mode 4 [4ch] RGBW
Channel 1	Hue	Red
Channel 2	Saturation	Green
Channel 3	Intensity	Blue
Channel 4		White
Total	3 DMX channels	4 DMX channels

DMX Personality Mode 11:

Inspire V2.1	<p style="text-align: center;">Mode 11 [1ch] Look Select</p>																																																																																																					
Channel 1	<p>Channel levels and the corresponding Look numbers:</p> <table border="1" data-bbox="363 394 935 1758"> <thead> <tr> <th>Channel Level (%)</th> <th>Look</th> <th>Description</th> </tr> </thead> <tbody> <tr><td>0</td><td>OFF</td><td></td></tr> <tr><td>1-2</td><td>1</td><td>Full Colour Scroll (5 sec)</td></tr> <tr><td>3-5</td><td>2</td><td>Full Colour Scroll (10 sec)</td></tr> <tr><td>6-9</td><td>3</td><td>Full Colour Scroll (30 sec)</td></tr> <tr><td>10-11</td><td>4</td><td>Warm Colour Scroll (5 sec)</td></tr> <tr><td>12-15</td><td>5</td><td>Warm Colour Scroll (10 sec)</td></tr> <tr><td>16-19</td><td>6</td><td>Warm Colour Scroll (30 sec)</td></tr> <tr><td>20-22</td><td>7</td><td>Cold Colour Scroll (5 sec)</td></tr> <tr><td>23-25</td><td>8</td><td>Cold Colour Scroll (10 sec)</td></tr> <tr><td>26-27</td><td>9</td><td>Color Colour Scroll (30 sec)</td></tr> <tr><td>29-32</td><td>10</td><td>Red Full</td></tr> <tr><td>33-35</td><td>11</td><td>Pink Full</td></tr> <tr><td>36-38</td><td>12</td><td>Orange Full</td></tr> <tr><td>39-42</td><td>13</td><td>Light Orange Full</td></tr> <tr><td>43-45</td><td>14</td><td>Yellow Full</td></tr> <tr><td>46-48</td><td>15</td><td>Light Yellow Full</td></tr> <tr><td>49-51</td><td>16</td><td>Green Full</td></tr> <tr><td>52-54</td><td>17</td><td>Light Green Full</td></tr> <tr><td>56-58</td><td>18</td><td>Cyan Full</td></tr> <tr><td>59-61</td><td>19</td><td>Light Cyan Full</td></tr> <tr><td>62-64</td><td>20</td><td>Blue Full</td></tr> <tr><td>65-68</td><td>21</td><td>Light Blue Full</td></tr> <tr><td>69-71</td><td>22</td><td>3200 White</td></tr> <tr><td>72-74</td><td>23</td><td>5600 White</td></tr> <tr><td>75-78</td><td>24</td><td>Empty</td></tr> <tr><td>79-81</td><td>25</td><td>Empty</td></tr> <tr><td>83-85</td><td>26</td><td>Empty</td></tr> <tr><td>86-88</td><td>27</td><td>Empty</td></tr> <tr><td>89-91</td><td>28</td><td>Empty</td></tr> <tr><td>92-94</td><td>29</td><td>Empty</td></tr> <tr><td>95-97</td><td>30</td><td>Empty</td></tr> <tr><td>98-100</td><td>31</td><td>Empty</td></tr> </tbody> </table>			Channel Level (%)	Look	Description	0	OFF		1-2	1	Full Colour Scroll (5 sec)	3-5	2	Full Colour Scroll (10 sec)	6-9	3	Full Colour Scroll (30 sec)	10-11	4	Warm Colour Scroll (5 sec)	12-15	5	Warm Colour Scroll (10 sec)	16-19	6	Warm Colour Scroll (30 sec)	20-22	7	Cold Colour Scroll (5 sec)	23-25	8	Cold Colour Scroll (10 sec)	26-27	9	Color Colour Scroll (30 sec)	29-32	10	Red Full	33-35	11	Pink Full	36-38	12	Orange Full	39-42	13	Light Orange Full	43-45	14	Yellow Full	46-48	15	Light Yellow Full	49-51	16	Green Full	52-54	17	Light Green Full	56-58	18	Cyan Full	59-61	19	Light Cyan Full	62-64	20	Blue Full	65-68	21	Light Blue Full	69-71	22	3200 White	72-74	23	5600 White	75-78	24	Empty	79-81	25	Empty	83-85	26	Empty	86-88	27	Empty	89-91	28	Empty	92-94	29	Empty	95-97	30	Empty	98-100	31	Empty
Channel Level (%)	Look	Description																																																																																																				
0	OFF																																																																																																					
1-2	1	Full Colour Scroll (5 sec)																																																																																																				
3-5	2	Full Colour Scroll (10 sec)																																																																																																				
6-9	3	Full Colour Scroll (30 sec)																																																																																																				
10-11	4	Warm Colour Scroll (5 sec)																																																																																																				
12-15	5	Warm Colour Scroll (10 sec)																																																																																																				
16-19	6	Warm Colour Scroll (30 sec)																																																																																																				
20-22	7	Cold Colour Scroll (5 sec)																																																																																																				
23-25	8	Cold Colour Scroll (10 sec)																																																																																																				
26-27	9	Color Colour Scroll (30 sec)																																																																																																				
29-32	10	Red Full																																																																																																				
33-35	11	Pink Full																																																																																																				
36-38	12	Orange Full																																																																																																				
39-42	13	Light Orange Full																																																																																																				
43-45	14	Yellow Full																																																																																																				
46-48	15	Light Yellow Full																																																																																																				
49-51	16	Green Full																																																																																																				
52-54	17	Light Green Full																																																																																																				
56-58	18	Cyan Full																																																																																																				
59-61	19	Light Cyan Full																																																																																																				
62-64	20	Blue Full																																																																																																				
65-68	21	Light Blue Full																																																																																																				
69-71	22	3200 White																																																																																																				
72-74	23	5600 White																																																																																																				
75-78	24	Empty																																																																																																				
79-81	25	Empty																																																																																																				
83-85	26	Empty																																																																																																				
86-88	27	Empty																																																																																																				
89-91	28	Empty																																																																																																				
92-94	29	Empty																																																																																																				
95-97	30	Empty																																																																																																				
98-100	31	Empty																																																																																																				

2.8 Thermal Performance

The internal cooling system of the Inspire is by convection and the fixture is built with automatic protection. The fixture's automatic protection reduces the output when the internal temperature reaches the maximum limit due to extreme ambient conditions.

3. Troubleshooting

Troubleshooting is a process of elimination. First, rule out the other field factors (i.e. bad connections, faulty cables and power supplies). For technical support and/or parts, please contact your selling dealer or the offices listed in this manual.

Symptom	Possible Cause	Solution
Fixture does not respond to DMX control.	<ul style="list-style-type: none">• Set to wrong or different DMX address.• Bad cable connecting DMX control and fixture.• Bad in/through connection between adjacent fixtures.	<ul style="list-style-type: none">• Check DMX address and Mode settings.• Check/replace DMX run from the console.
Low LED output.	<ul style="list-style-type: none">• Internal temperature is over the limit.	<ul style="list-style-type: none">• Check area ventilation.

4. Specification

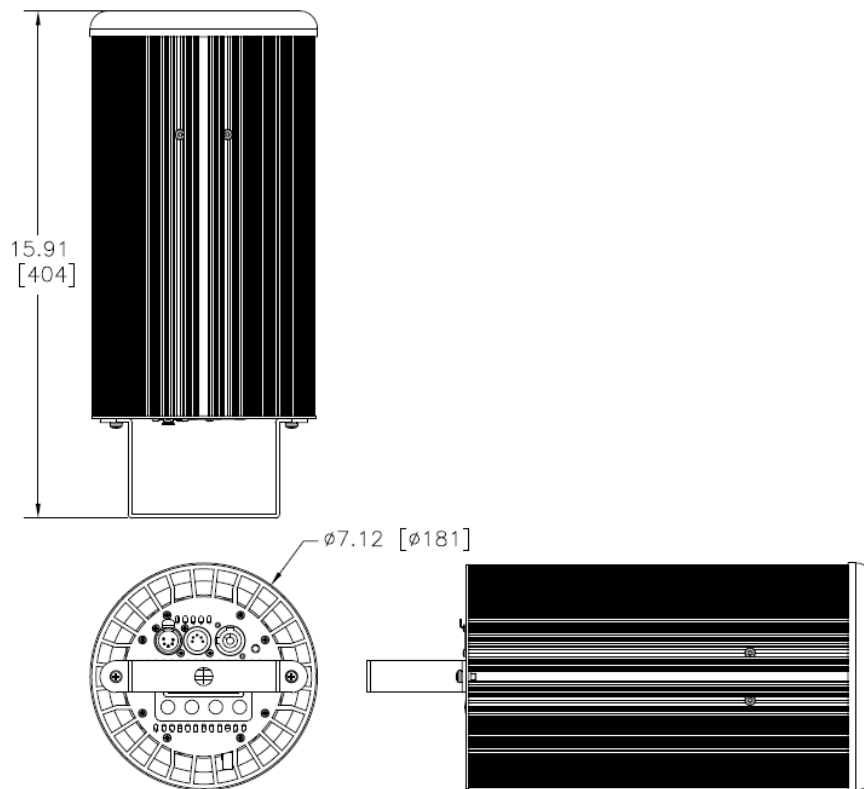
4.1 Technical Specifications

Product Code	CHINHLRGBW32A	CHINHLRGBW42A	CHINHLRGBW65A
Net Dimensions** (Without Fixings - W x H x D)	181mm x 404mm x 181mm / 7" x 16" x 7"		
Net Weight (Without Fixings)	6 kgs / 13.5 lbs		
Shipping Dimensions (W x H x D)	501mm x 380mm x 300mm / 20" x 15" x 12"		
Shipping Weight	8 kgs / 18 lbs		
Power & Connections			
Power Supply	Built-in		
Power Input Rating	100-240V AC 50-60Hz 120VA		
Power Factor	0.9		
Power Consumption	120W @ 230V AC (Maximum Intensity); 7W @ 230V AC (Stand-by)		
Typical Power & Current	Measurements done with all LEDs at maximum intensity. Measurements made at nominal voltage. Allow for a deviation of +/- 10%.		
Power connector In/Out	PowerCon (Input only)		
Data Connectors In/Out	XLR 5-pin		
Control Protocol	ANSI E1.11 USITT DMX 512-A		
Cooling System	Convection		
Operating Temperature	0°C to 40°C		
Construction	Anodised aluminium extrusion		
Colour	Black		
Built-In Hardware	Mounting bracket		
IP Rating	IP20		
Approvals	CISPR 22/EN55022 & CISPR 24/EN55024, ICES-003 Issue 4:2004 / FCC Part 15 Subpart B:2010, CSA C22.2 No. 166-M1983: R2008, UL 1573:2003 (R2010), UL SUBJECT 8750: 2009, IEC 60598-2-17		
Control & Photometric			
LEDs	18 x Neutral White + 6 x RGB, total 36 LEDs		
LED Engines	1		
LEDs Per Engine	36		
Total LEDs	36		
Control Modes	7 channels fxHSI, 5 channels sRGBW, 3 channels HSI, 4 channels RGBW, 1 channel Look sel, Mastr StndAlon, Slave StndAlon		
Dimming Curve	Theatrical		
Variable Effects Engine	Yes		
Effects Parameters	Colour speed, range, step, intensity effects		
Hot Lumen Output (Combined)	4,390 (N)	4,070 (M)	4,390 (W)
Optics	Fully Homogenised		
Beam Angle	N @ 32° (approx.)	M @ 42° (approx.)	W @ 65° (approx.)
Beam Distribution	Symmetrical direct illumination		
CCT	Adjustable 1,000 – 10,000K		
Colour Gamut	Performance enhanced		
CRI	90		
Lamp Life	L70 at 50,000 hours		

**For exact measurements please refer to the line drawings below



4.2 Drawings – Dimensions



5. Maintenance

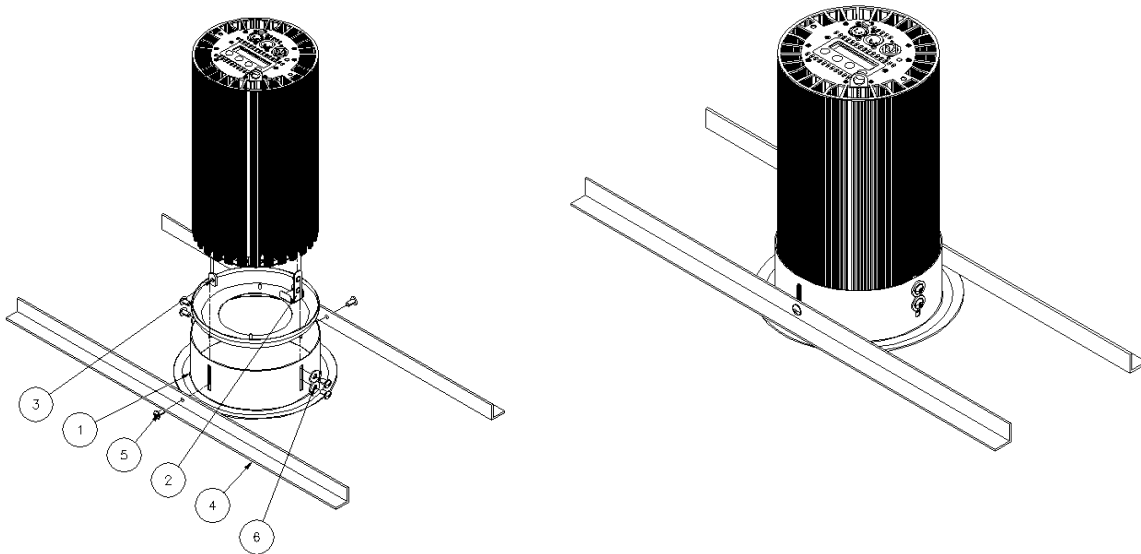
With care, the Inspire fixture requires little maintenance. However, as the unit is likely to be used in a stage environment we recommend periodical internal inspection and cleaning of any resulting dust and cracked oil residue.

Do not spray liquids on the front or rear panel. If the front enclosure requires cleaning, wipe with a mild detergent on a damp cloth.

6. Ceiling Installation Procedure

The Inspire fixture can be mounted on a ceiling with the Inspire Ceiling Installation Kit. The Inspire Ceiling Installation Kit consists of the following items: (See drawing below with the reference numbers.)

Ref No	Name	Description
1	Trim Ring Inspire Black	A ring that holds and fastens the fixture in place (facing downwards) with 4 slots for fixture trim height adjustment
2	Bracket Hook	A bracket shaped with 2 hooks and built with 2 x ¼-20" pem nuts. The 2 hooks are set on the edges of 2 extruded fins of the fixture. The Trim Ring is fastened on the 2 pem nuts of the Bracket Hook.
3	T-Nut ¼-20" Economy 15S	Nuts inserted into the extruded cavity between 2 extruded fins
4	Angle support ceiling mounting	2 angle bars that are mounted onto the ceiling
5	Screw Flanged Button Socket ¼-20 x ¾"	Fastening screw
6	Washers	

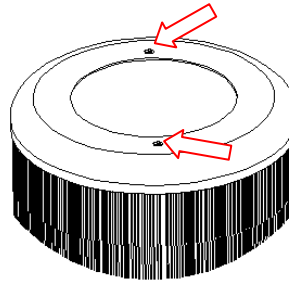


Disclaimer:

- Installation should be carried out by an experienced professional. The instructions below are provided for information only.
- All work should be verified to meet Local and National Building Regulations, and Health and Safety Standards in particular.
- Ensure that the specified torque is applied to fasten the Trim Ring and Angle Supports.
- The Angle Supports of the Inspire fixture must be fastened to the ceiling with the appropriate load capacity.
- The use of a safety chain or other all arrest cable is strongly recommended as per standard rigging practice.

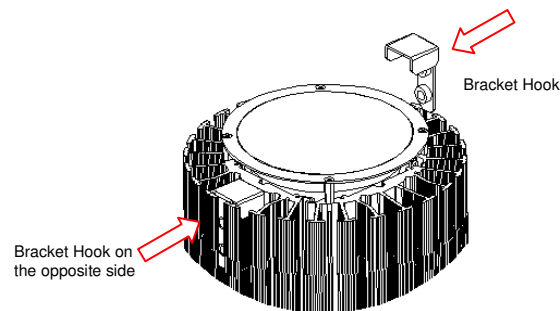
6.1 Remove the Cap:

- Position the fixture lens side up. Ensure that the display screen at the rear/bottom is resting on a clean scratch-free surface and the female XLR-5 latch at the rear is not pressed.
- Unscrew the 2 x M3 FH screws at the front to remove the Cap.



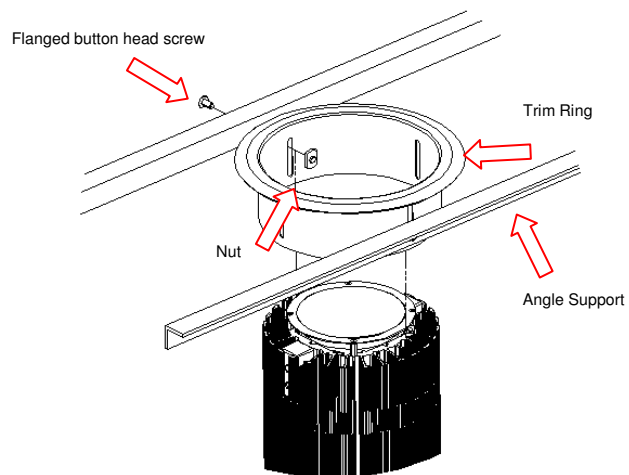
6.2 Insert the 2 Bracket Hooks

- Insert and hook the 1st Bracket Hook to set onto the edges of 2 straight extruded fins (not curved).
- The threaded side of the Bracket Hook must be adjacent towards the external side of the enclosure.
- Insert and hook the 2nd Bracket Hook to set onto the edges of the 2 straight extruded fins (not curved) on the opposite side.



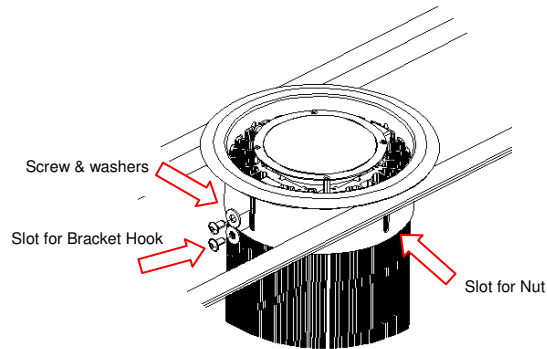
6.3 Attach the Angle Supports to the Trim Ring

- Attach the 1st angle support onto one side of the trim ring.
- Insert a flanged button head socket screw through the hole in the angle support into a trim ring slot and fasten a nut loosely.
- Attach the 2nd angle support onto the opposite side of the trim ring.
- Insert a flanged button head socket screw through the hole in the 2nd angle support into the opposite trim ring slot and fasten a nut loosely.



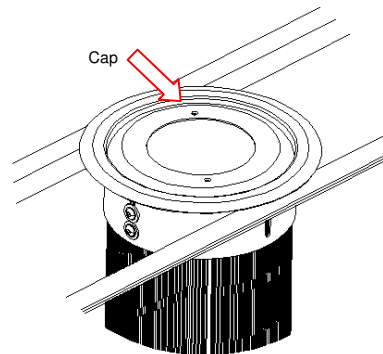
6.4 Slide the Trim Ring and Angle Support assembly down onto the fixture

- Align the 2 empty slots of the trim ring to match the threads of the 2 bracket hooks on the fixture.
- Slide the trim ring down onto the fixture:
- Match the 2 empty trim ring slots to the bracket hook threads.
- Match and insert the 2 loosely fastened screw nuts into the slots between the fins.



6.5 Put the Cap back

- Put the cap back and fasten with 2 x M3 FH screws (5.5 in-lb torque).

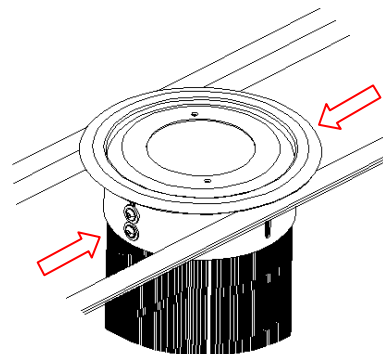


6.6 Fasten the Trim Ring to the 2 Bracket Hooks on the fixture

- Adjust the trim height then fasten with the 4 flanged button socket screws and washers onto the 2 Bracket Hooks on both sides of the fixture.

Note:

Minimum torque for the 1/4-20 in. flanged button socket screw is 48 in-lb.

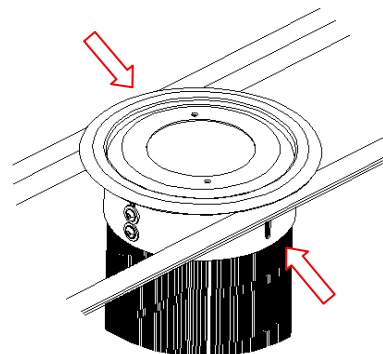


6.7 Tighten the screws on the Angle Supports

- Tighten the loosely fastened flanged button socket screws on each of the angle supports.

Note:

Minimum suggested torque for the 1/4-20 in. flanged button socket screw is 48 in-lb.



6.8 Install the fixture onto the ceiling

- Turn the fixture with the Trim Ring and Angle Supports lens side down.
- Fasten the angle supports onto the appropriate ceiling infrastructure.

