

175 mm

■ K



Elekta Household Appliances (India) Pvt Ltd.,  
7, Hemu Plaza, 28, D J Road, Vile Parle (West),  
Mumbai – 400 056, Maharashtra, India.

For complaint redressal you may either dial Toll Free Number: 18002702929  
or e-mail us at [customercare@elektaindia.com](mailto:customercare@elektaindia.com) or write in at the address.

[www.elektaindia.com](http://www.elektaindia.com)

125 mm



EGC-G833IN  
EGC-G844IN  
EGC-G855IN

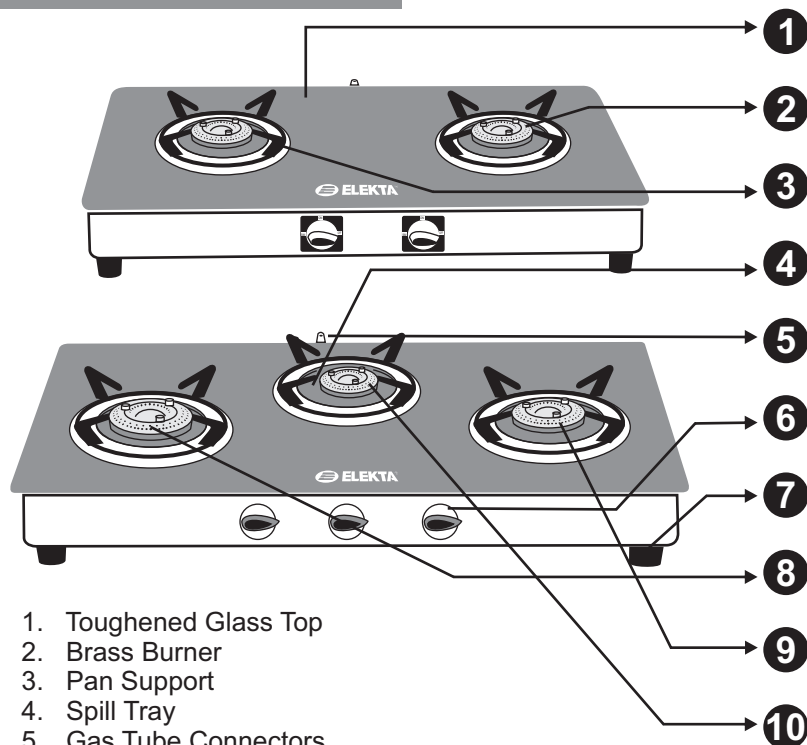


2&3 Burner GT L.P. Gas Stove



Please read the guidelines provided in this User Manual  
on Important Instructions, Appliance Usage &  
Warranty before using the product.

## Parts Identification



1. Toughened Glass Top
2. Brass Burner
3. Pan Support
4. Spill Tray
5. Gas Tube Connectors
6. Gas Control Knobs
7. Rubber Legs
8. Big Burner
9. Medium Burner
10. Small Burner

### Note:

Above illustration is only for indication and may not be same in the product. Design, Shape and Components will be vary for Three Burner models.

In pursuance with our policy of continuous product improvement, specification are subject to change without notice.



## Features

- 6mm Elegant mirror edge toughened glass top.
- Additional small size enameled pan support for placing smaller utensils firmly on the stove.
- High quality brass burner for uniform blue flame & thermal efficiency.
- Guaranteed high thermal efficiency.
- Heavy duty individual tube for uniform gas flow to avoid rust formation.
- High grade rust proof stainless steel lower body with additional corner support.
- SS drip tray for easy and quick cleaning.
- Superior & heavy duty pan support for placing utensils firmly on the stove.
- Ergonomic knobs for better grip and manoeuvrability.

## Intended use

Your ELEKTA Gas stove is intended for household use only.



Read this entire manual carefully before using the appliance.

## Safety instructions

The intended use is described in this manual. The use of any accessory or attachment or the performance of any operation with this appliance other than those recommended in this instruction manual may present a risk of personal injury.

Retain this manual for future reference.



## Using your appliance

Always take care when using the appliance.

Do not use the appliance outdoors.

Also ensure no heavy objects should be dropped on glass top surface as they may shatter/ scratch it.

Wipe off toughened glass cook top and body with a dry cloth, if necessary use soapy.

## Safety of others

This appliance is not intended for use by persons (including children) with reduced physical, sensory or mental capabilities, or lack of experience and knowledge, unless they have been given supervision or instruction concerning use of the appliance by a person responsible for their safety.

Children should be supervised to ensure that they do not play with the appliance.

Do not allow children or any person unfamiliar with these instructions to use the appliance.

Do not allow children or animals to come near the work area or to touch the appliance.

Close supervision is necessary when the appliance is used near children.

## Before use

1. While unpacking make sure that all Parts of the gas stove are present.
2. Place the gas stove on a flat surface.
3. Place the gas control knob on the gas stem and push firmly inside (Refer fig. a). The knob should be in the 'OFF' position at the time of fitting.
4. Turn the stove upside down the place the rubber legs in to the openings provided in the four corners. Fix the legs by tightening the screws.
5. Place the spill trays in position.
6. Place the pan supports on top by aligning to the holes on the stove.
7. Push the rubber hose that is attached to the gas regulator (cylinder) into the hose connector as far as it goes. (Refer fig. b) Do not use a vinyl plastic tube or a tube with metallic cover. The tube should not be twisted, looped or linked or subjected to any kind of external pressure.
8. The tube used to connect the stove should be within 1.5 meters (4.5 ft). It must not be extended from one room to another and must not pass through door, windows, walls, partition, concrete slabs or floors.

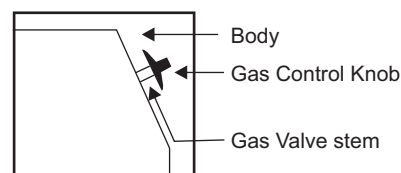


Fig. a

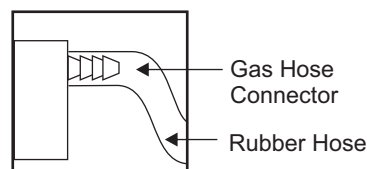


Fig. b

## After use

Close the gas regulators of the Cylinder. When the flame dies down completely turn the gas control knob clockwise to the "OFF" position before leaving the appliance unattended and before cleaning or inspecting any parts of the appliance.

When not in use, the appliance should be stored in a dry place. Children should not have access to stored appliances.

## Inspection and repairs

Before use, check the appliance for damaged or defective parts. Check for breakage of parts, damage to switches and any other conditions that may affect its operation.

Do not use the appliance if any part is damaged or defective.

Have any damaged or defective parts repaired or replaced by an authorised repair agent.

Never attempt to remove or replace any parts other than those specified in this manual.

Do not attempt to repair the appliance. Take it to your nearest ELEKTA owned or authorised Service Centre for repair.

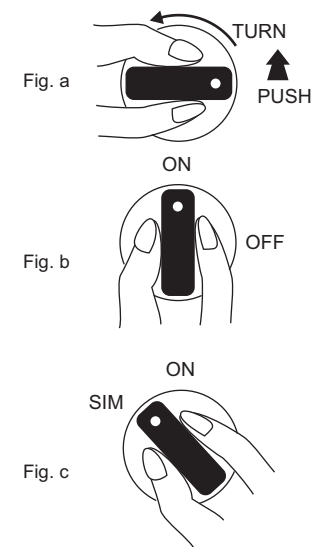
## Operating Instructions

1. Open the gas regulator of the cylinder.
2. Push the gas control knob inward and turn to the 'ON' position (Refer fig.a ) while simultaneously lighting a match stick or gas lighter close to the top of the burner.
3. Due to the air in the gas tube the burners may not ignite the first time, turn the gas control knob clockwise to the 'OFF' position and try again until the burner ignites.
4. Keep the gas control knob in 'ON' position while cooking. (Refer fig.b)

5. To reduce the flame (simmer) further turns the gas control knob anti clockwise (Refer fig.c.)
6. To put off the burner, first close the gas Regulator of the Cylinder. When the flame dies down completely turn the gas control knob clockwise to the 'OFF' position until the knob projects out with a 'Click' sound.
7. Keep the stove gas cylinder Valve in 'OFF' position when not in use.

### TIPS

Use large vessels that cover the entire flame when using high flame to avoid gas wastage  
When using smaller vessels, reduce flame intensity to desired optimum.  
When desired temperature is reached keep flame intensity at a reduce level that maintains temperature to save on gas.



## Burner Ratings

Burner	Small Burner			Medium Burner			Big Burner		
	Ltrs/hr	Gms/hr	Kcal/hr	Ltrs/hr	Gms/hr	Kcal/hr	Ltrs/hr	Gms/hr	Kcal/hr
2 Burner	58	143	1554	77	189	2064	--	---	----
3 Burner	58	143	1554	77	189	2064	90	221	2412

## Technical Specifications

Model No	Body	No Of Burner	Overall Dimensions in mm			Body Glass Thickness	*Approx net weight	*Brass Burner Weight in grams			*Mixing Tube Weight in grams	Height of Burner from Kitchen Top		
			Depth	Width	Height			in mm	in kg	Small			Medium	Big
EGC-G833IN	GLASS TOP	3	770	380	---	6	8.10	125	155	295	135	150	290	52
EGC-G844IN	GLASS TOP	2	575	275	---	6	4.6	125	155	---	135	150	---	52
EGC-G855IN	GLASS TOP	2	700	360	---	6	7.00	125	155	---	135	150	---	52

\* Not sold on weight.

## Warranty and service

For any information or problem, contact your local ELEKTA dealer or authorized service center: For a list of authorized ELEKTA service centers visit: [www.elektaindia.com](http://www.elektaindia.com) or contact our Toll Free Number 18002702929 or mail us to [customercare@elektaindia.com](mailto:customercare@elektaindia.com)

### GT L.P Gas Cooktops

EGC-G833IN  EGC-G844IN  EGC-G855IN



## Warranty card

This apparatus is covered under warranty against any defect due to defective material or workmanship or TWO YEARS from the date of purchase. Should a defect develop during the period of warranty, ELEKTA undertakes to repair the apparatus FREE OF CHARGE through the dealer from whom it has been purchased or at any of the ELEKTA authorized Service Centres.

The warranty is not valid in case:

1. Apparatus is not used according to user manual.
2. Defects caused by improper or reckless use.
3. Repairs done by persons other than ELEKTA Authorized service centre.
4. Modifications of any nature made in the apparatus.
5. Tampered serial number.
6. Incomplete warranty card after purchase.
7. Product if used for commercial purpose (i.e. other than domestic use).
8. Usage of parts not recommended by ELEKTA or those made by other manufacturers.

All consumables and parts susceptible to normal wear and tear are not covered under warranty

Week/S.No.: \_\_\_\_\_

Date of purchase: \_\_\_\_\_

Dealer's name: \_\_\_\_\_

Dealer's stamp: \_\_\_\_\_

Customer's name and address: \_\_\_\_\_

Model No.: \_\_\_\_\_

Dealer's signature: \_\_\_\_\_

