

LUFTIG

GB

DE

FR

IT

BF570



Design and Quality
IKEA of Sweden

ENGLISH	4
DEUTSCH	15
FRANÇAIS	26
ITALIANO	43

Contents

Safety information	4	What to do if ...	10
Product description	7	Technical data	11
Control panel	7	Environmental concerns	12
Cleaning and maintenance	8	IKEA GUARANTEE	12

Safety Information

Before first use


Your safety and that of others is paramount.

Remove cardboard protection pieces, protective film and adhesive labels from accessories.


Check the appliance for any transport damage.


To avoid any damage do not place any weights on the appliance. Do not expose the appliance to atmospheric agents.

This manual and the appliance itself provide important safety warnings, to be read and observed at all times.

 This is the attention symbol, pertaining to safety, which alerts users to potential risks to themselves and others.

All safety warnings are preceded by the attention symbol and the following terms:

 **DANGER:** indicates a hazardous situation which, if not avoided, will cause serious injury.

 **WARNING:** Indicates a hazardous situation which, if not avoided, could cause serious injury.

All safety warnings give specific details of the potential danger/warning present and indicate how to reduce risk of injury, damage and electric shock resulting from improper use of the appliance. Carefully observe the following instructions.

Precautions and general recommendations

- The electrical installation and the electrical connection must be carried out by a qualified technician according to the manufacturer's instructions and in compliance with the local safety

regulations. Do not repair or replace any part of the appliance unless specifically stated in the user manual.

- The appliance must be disconnected from the power supply before carrying out any installation work.
- Earthing of the appliance is compulsory. (required only for class I).
- The power cable must be long enough for connecting the appliance, once fitted in its housing, to the power supply socket.
- Do not pull the power supply cable in order to unplug the appliance.
- The electrical components must not be accessible to the user after installation.
- Do not touch the appliance with any wet part of the body and do not operate it when barefoot.
- The appliance is not intended for use by persons (including children) with any physical, sensory or mental impairment, or without experience and knowledge of the appliance, unless supervised or previously instructed in its use by those responsible for their safety.
- Do not repair or replace any part of the appliance unless specifically indicated in the manual. All other maintenance services must be carried out by a specialised technician.
- Children must be supervised to ensure they do not play with the appliance.
- When drilling through the wall pay attention not to damage electric connections and/or pipes.
- Air vents must always discharge to the outside.

- The manufacturer rejects all responsibilities for any damage caused by improper use or wrong settings.
- Appropriate maintenance and cleaning ensure the good working order and the best performance of the appliance. Regularly clean all stubborn surface dirt to avoid grease build up. Remove and clean or change the filter regularly.
- Never flame cook food (flambé) under the appliance. Using free flames might cause fire.
- Failure to observe the instructions for cleaning the hood and replacing the filters may result in a fire.
- Exhaust air must not be vented through a flue used for removal of fumes produced by gas combustion appliances or other combustible materials, but must have a separate outlet. All national regulations governing extraction of fumes must be observed.
- There shall be adequate ventilation if the hood is being used at the same time as other appliances using gas or other combustible materials. The negative pressure of the room must not exceed 4 Pa (4x 10⁻⁵ bars). For this reason ensure that the room is well ventilated.
- Do not leave frying pans unattended when frying, as the frying oil may catch fire.
- Before touching the light bulbs, ensure that they are cold.
- Do not use or leave the hood without the light bulb correctly fitted, as this may cause electric shock.
- The hood is not a work surface, therefore do not place any objects on top of it or overload it.
- During all installation and maintenance operations wear appropriate working gloves.
- This appliance is not suitable for outdoor use.


- When the hob is in use, accessible parts of the hood may become hot.

Installation and connection

After unpacking the appliance, check for any transport damage. In the event of problems, contact the After-sales Service.

To prevent any damage, only remove the appliance from its polystyrene foam packaging at the time of installation.

Preparing for installation

 **WARNING:** this is a heavy product; the hood should only be lifted and installed by two or more people.

Before installation also check the minimum distances stated in the manual of the cooker. If the installation instructions for the cooker specify a greater distance between cooker and hood, this distance must be observed.

Electrical connection

Make sure the power voltage specified on the appliance rating plate is the same as the mains voltage.

This information can be found on the inside of the hood, under the grease filter.

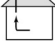
Power cable replacement (type H05 VV-F) must be carried out by a qualified electrician. Contact an authorized service centre.

If the hood is fitted with an electric plug, connect the plug to a socket complying with current regulations, located in an accessible place.

If no plug is fitted (direct wiring to the mains), or if the socket is not located in an accessible place, a qualified electrician should install a standardised double pole power switch that will enable complete isolation from the mains in case of category III overvoltage conditions, in accordance with wiring rules.

Use

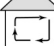
The hood has been designed to be installed and used either as a “Exhausted model”, or as a “Recirculation model”.

Exhausted model (see symbol  in installation booklet)

Cooking steam is sucked and channelled outside the house through a discharge duct (not supplied), fitted to the hood steam outlet.

Ensure that the discharge duct is correctly fitted to the air outlet, unit using an appropriate connection system.

Important: If already installed, remove the charcoal filter/s.

Recirculation model (see symbol  in installation booklet)

The air is filtered through one or more the charcoal filters, and then resent into room.

Important: Ensure appropriate air circulation around the hood.

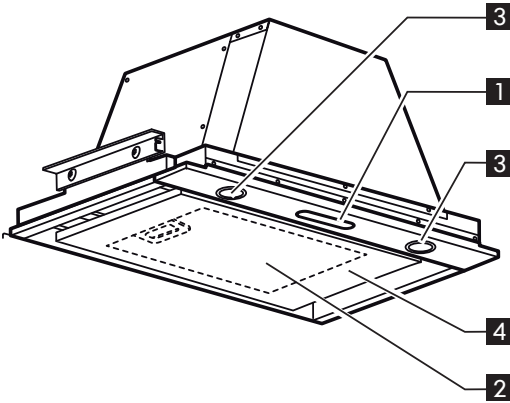
Important: If the hood is supplied without charcoal filters, these must be ordered and fitted before the hood can be used.

The hood should be installed away from particularly dirty areas, windows, doors and heat sources.

The hood is sold with all necessary components for installation on most types of walls or ceilings. However, ask a qualified technician to check that the items supplied are suitable for the type of wall/ceiling.

Keep this booklet for future consultation.

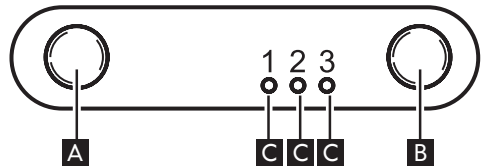
Product description



- 1** Control Panel.
- 2** Grease filter (above the perimeter suction filter)
- 3** Halogen bulbs
- 4** Perimeter suction panel

Control panel

- A** ON/OFF light key
Press briefly to switch the lights on and off.
Press and hold down to adjust the light intensity.
- B** Motor ON/OFF key and speed selection (suction power)
Note: Press the button for 2 seconds to switch the hood off.
- C** Selected speed LED



Cleaning and maintenance

⚠ WARNING: - Use safety gloves.
- Disconnect the appliance from the power supply.

Perimeter suction panel

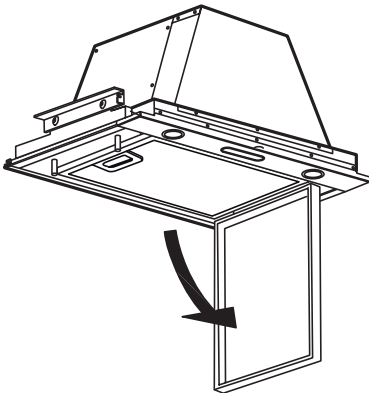
The suction panel must be cleaned with the same frequency as the grease filter. Use a damp cloth and a soft liquid detergent. Do not use products containing abrasives. **DO NOT USE ALCOHOL**

The panel normally covers the grease filters, and must therefore be opened each time access to the grease filters and the inside of the hood is required (e.g. to replace the carbon filters).

Opening: Pull the panel (LEFT SIDE) downwards.

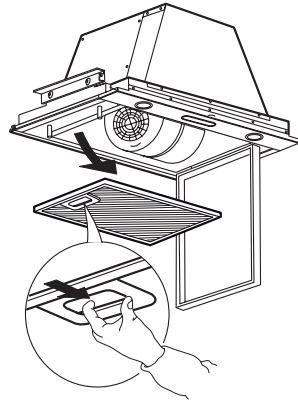
Closing: The panels must be fixed to the appropriate pins on the surface of the hood.

WARNING: Always check that the panel is fitted properly.



To clean the grease filter

The filter traps all cooking grease particles. The metal grease filter has unlimited duration. It should be washed at least once a month, either by hand, or by placing it in the dishwasher (use a short cycle and low temperature).

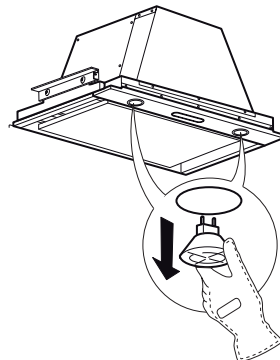


If washed in the dishwasher, the grease filter surface may become matt. This will not cause any reduction of performance. To remove the filter pull out the handle. After the filter has been washed and dried, replace following the inverse procedure.

Replacing the halogen lamps

⚠ WARNING: - Only use 12V 20W 30°
Ø35 12V GU4 halogen lamps.

1. Disconnect the hood from the electric power supply.
2. Use a small screwdriver to remove the lamp by pushing its edges upwards.
3. Remove the faulty light bulb and replace with a new one.



Charcoal filter maintenance

The charcoal filter traps unpleasant cooking smells.

Replace the charcoal filter every 4 months.

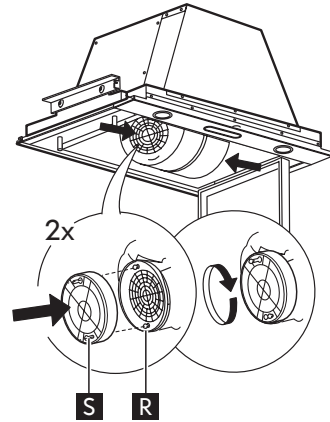
Fitting or replacing the charcoal filter

1. Disconnect the hood from the electric power supply.
2. Remove the grease filters.
3. Fit the filters covering the motors.
Check that the **R** pins on the conveyor correspond with the **S** holes.

Turn the filters to lock them to the pins.

To remove the filters follow the inverse procedure.

Replace the grease filters.



What to do if ...

Problem	Possible cause	Solution
The appliance does not work	There is no mains electrical power	Check for the presence of mains electrical power. Turn off the appliance and restart it to see if the faults persists.
	The appliance is not connected to the electrical supply	Check if the appliance is connected to the electrical supply. Turn off the appliance and restart it to see if the faults persists.
The hood's suction level is not enough	The suction speed is too low	Check the suction speed and adjust as necessary
	The filters are dirty	Check that the filters are clean. If not, clean the filters in the dishwasher.
	The air vents are obstructed	Check the air vents for any obstructions and remove as necessary.
The light does not work	The light bulb is broken	Check the light bulb and replace it if necessary.
	The light bulb is not correctly fitted	Check that the light bulb has been correctly fitted. If not, fit the light bulb in right way.

Before contacting the After-sales service:

Switch the appliance on again to see if the problem has disappeared. If not, switch it off again and repeat the operation after an hour.

If your appliance still does not work properly after carrying out the checks listed in the troubleshooting guide and switching the appliance on again, contact the After-sales service, clearly explaining the problem and specifying:

- the type of fault;

- the model;
- the type and serial number of the appliance (given on the rating plate);
- the Service number (the number after the word SERVICE on the rating plate inside the appliance).

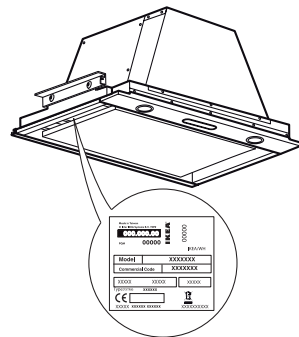
SERVICE 0000 000 00000



Technical data


Dimensions - Internal (mm)	Width	561
	Height	358
	Depth	354
Airflow max - Exhaust (m ³ /h)		573
Noise max - Exhaust (dBa)		65
Airflow max - Recirculating (m ³ /h)		369
Noise max - Recirculating (dBa)		67
Total Power (W)		220
Lamps		2x 20W
Installation minimum height dimensions (cm)	gas or combi cookers	65
	electric cookers	50

The technical information are situated in the rating plate on the internal side of the appliance and in the energy label.



Environmental concerns

Disposal of packing


The packing material is 100% recyclable and is marked with the recycle symbol . The various parts of the packing must therefore be disposed of responsibly and in full compliance with local authority regulations governing waste disposal.

Scrapping the product

- This appliance is marked in compliance with European Directive 2002/96/EC, Waste Electrical and Electronic Equipment (WEEE).

- By ensuring this product is disposed of correctly, you will help prevent potential negative consequences for the environment and human health, which could otherwise be caused by inappropriate waste handling of this product.



The symbol  on the product or on the accompanying documentation indicates that it should not be treated as domestic waste but must be taken to an appropriate collection centre for the recycling of electrical and electronic equipment.

Scrapping of household appliances

• This appliance is manufactured with recyclable or reusable materials. Dispose of it in accordance with local waste disposal

regulations. Before scrapping, cut off the power supply cable.

• For further information on the treatment, recovery and recycling of household electrical appliances, contact your competent local authority, the collection service for household waste or the store where you purchased the appliance.

Declaration of conformity

• This appliance is manufactured in compliance with Regulation (CE) No. 1935/2004.



• This appliance has been designed, manufactured and marketed in compliance with:

- safety objectives of the “Low Voltage” Directive 2006/95/CE (which replaces 73/23/CEE and subsequent amendments);
- the protection requirements of Directive “EMC” 2004/108/EC.

Electrical safety of the appliance can only be guaranteed if it is correctly connected to an approved earthing system.

IKEA GUARANTEE

How long is the IKEA guarantee valid?

This guarantee is valid for five (5) years from the original date of purchase of your appliance at IKEA, unless the appliance is named LAGAN in which case two (2) years of guarantee apply. The original sales receipt, is required as proof of purchase. If service work is carried out under guarantee, this will not extend the guarantee period for the appliance.

Which appliances are not covered by the IKEA five (5) years guarantee?

The range of appliances named LAGAN and all appliances purchased in IKEA before 1st of August 2007.

Who will execute the service?

IKEA service provider will provide the service through its own service operations or authorized service partner network.

What does this guarantee cover?

The guarantee covers faults of the appliance, which have been caused by faulty construction or material faults from the date of purchase from IKEA. This guarantee applies to domestic use only. The exceptions are specified under the headline "What is not covered under this guarantee?" Within the guarantee period, the costs to remedy the fault e.g. repairs, parts, labour and travel will be covered, provided that the appliance is accessible for repair without special expenditure. On these conditions the EU guidelines (Nr. 99/44/EG) and the respective local regulations are applicable. Replaced parts become the property of IKEA.

What will IKEA do to correct the problem?

IKEA appointed Service Provider will examine the product and decide, at its sole discretion, if it is covered under this guarantee. If considered covered, IKEA Service Provider or its authorized service partner through its own service operations, will then, at its sole discretion, either repair the defective product or replace it with the same or a comparable product.

What is not covered under this guarantee?

- Normal wear and tear.
- Deliberate or negligent damage, damage caused by failure to observe operating instructions, incorrect installation or by connection to the wrong voltage, damage caused by chemical or electrochemical reaction, rust, corrosion or water damage including but not limited to damage caused by excessive lime in the water supply, damage caused by abnormal environmental conditions.
- Consumable parts including batteries and lamps.
- Non-functional and decorative parts which do not affect normal use of the appliance, including any scratches and possible color differences.

- Accidental damage caused by foreign objects or substances and cleaning or unblocking of filters, drainage systems or soap drawers.
- Damage to the following parts: ceramic glass, accessories, crockery and cutlery baskets, feed and drainage pipes, seals, lamps and lamp covers, screens, knobs, casings and parts of casings. Unless such damages can be proved to have been caused by production faults.
- Cases where no fault could be found during a technician's visit.
- Repairs not carried out by our appointed service providers and/or an authorized service contractual partner or where non-original parts have been used.
- Repairs caused by installation which is faulty or not according to specification.
- The use of the appliance in a non-domestic environment i.e. professional use.
- Transportation damages. If a customer transports the product to his home or another address, IKEA is not liable for any damage that may occur during transport. However, if IKEA delivers the product to the customer's delivery address, then damage to the product that occurs during this delivery will be covered by IKEA.
- Cost for carrying out the initial installation of the IKEA appliance. However, if an IKEA appointed Service Provider or its authorized service partner repairs or replaces the appliance under the terms of this guarantee, the appointed Service Provider or its authorized service partner will reinstall the repaired appliance or install the replacement, if necessary.

These restrictions do not apply to fault-free work carried out by a qualified specialist using our original parts in order to adapt the appliance to the technical safety specifications of another EU country.

How country law applies

The IKEA guarantee gives you specific legal rights, which cover or exceed all the local legal demands. However these conditions do not limit in any way consumer rights described in the local legislation.

Area of validity

For appliances which are purchased in one EU country and taken to another EU country, the services will be provided in the framework of the guarantee conditions normal in the new country.

An obligation to carry out services in the framework of the guarantee exists only if the appliance complies and is installed in accordance with:

- the technical specifications of the country in which the guarantee claim is made;
- the Assembly Instructions and User Manual Safety Information.

The dedicated AFTER SALES for IKEA appliances

Please don't hesitate to contact IKEA appointed After Sales Service Provider to:

- make a service request under this guarantee;
- ask for clarifications on installation of the IKEA appliance in the dedicated IKEA kitchen furniture;
- ask for clarification on functions of IKEA appliances.

To ensure that we provide you with the best assistance, please read carefully the Assembly Instructions and/or the User Manual before contacting us.

How to reach us if you need our service



Please refer to the last page of this manual for the full list of IKEA appointed After Sales Service Provider and relative national phone numbers.

- i** In order to provide you a quicker service, we recommend to use the specific phone numbers listed on this manual. Always refer to the numbers listed in the booklet of the specific appliance you need an assistance for. Please also always refer to the IKEA article number (8 digit code) and 12 digit service number placed on the rating plate of your appliance.

- i** **SAVE THE SALES RECEIPT!**
It is your proof of purchase and required for the guarantee to apply. The sales receipt also reports the IKEA name and article number (8 digit code) for each of the appliances you have purchased.

Do you need extra help?

For any additional questions not related to After Sales of your appliances please contact your nearest IKEA store call centre. We recommend you read the appliance documentation carefully before contacting us.

Contents			
Sicherheitshinweise	15	Was tun, wenn...	21
Produktbeschreibung	18	Technische Daten	22
Bedienfeld	18	Hinweise zum Umweltschutz	23
Reinigung und Pflege	19	IKEA GARANTIE	23

Sicherheitshinweise

Vor dem ersten Gebrauch

Ihre eigene Sicherheit und die der Anderen ist sehr wichtig.

Entfernen Sie Kartenteile, Schutzfolien und Klebeetiketten von den Zubehörteilen.


Kontrollieren Sie das Gerät auf eventuelle Transportschäden.

Stellen Sie keine Gegenstände auf dem Gerät ab, um Beschädigungen zu vermeiden.


Vermeiden Sie es, das Gerät


Witterungseinflüssen auszusetzen.

Diese Anweisungen sowie das Gerät beinhalten wichtige Sicherheitshinweise, die Sie durchlesen und stets beachten sollten.

 Dieses Symbol warnt vor möglichen Gefahren für die Sicherheit des Benutzers und andere Personen.

Alle Warnhinweise beginnen mit diesem Warnsymbol und enthalten einen der folgenden Begriffe:

 **GEFAHR:** Weist auf eine Gefahrensituation hin, die zu schweren Verletzungen führt, wenn sie nicht vermieden wird.

 **ACHTUNG:** Weist auf eine Gefahrensituation hin, die bei mangelnder Vorsicht zu schweren Verletzungen führt.

Alle Warnhinweise nennen das mögliche Sicherheitsrisiko und geben an, wie die Gefahr von Verletzungen, Schäden und Stromschlägen durch bestimmungsfremden Gebrauch des Gerätes vermieden werden kann. Halten Sie sich genau an folgende Anweisungen.

Vorsichtsmaßnahmen und allgemeine Empfehlungen

- Die Installation muss unter Beachtung der bestehenden Vorschriften und Gesetze von einem konzessionierten Fachmann gemäß den Herstelleranweisungen und in Übereinstimmung mit den geltenden Sicherheitsvorschriften des Landes vorgenommen werden. Reparieren Sie das Gerät nicht selbst und tauschen Sie keine Teile aus, wenn dies vom Benutzerhandbuch nicht ausdrücklich vorgesehen ist.
- Halten Sie das Gerät von der Stromversorgung getrennt, bis der Einbau durchgeführt wurde.
- Das Gerät muss vorschriftsmäßig geerdet werden. (nur für Klasse I erforderlich)
- Das Netzkabel muss lang genug sein, um das in die Küchenzeile eingebaute Gerät an das Stromnetz anzuschließen.
- Ziehen Sie nicht am Netzkabel des Gerätes, um den Stecker aus der Steckdose zu ziehen.
- Nach der Installation dürfen Strom führende Teile für den Benutzer nicht mehr zugänglich sein.
- Berühren Sie das Gerät nicht mit feuchten Händen und benutzen Sie es nicht, wenn Sie barfuß sind.
- Das Gerät darf ohne Aufsicht weder von Kindern noch von Personen mit herabgesetzten körperlichen, sensuellen oder mentalen Fähigkeiten oder ohne die erforderliche Erfahrung und Kenntnis benutzt werden, es sei denn, sie wurden

durch für ihre Sicherheit verantwortliche Personen entsprechend eingewiesen.

- Reparieren oder ersetzen Sie keine Teile der Abzugshaube, wenn dies nicht ausdrücklich im Benutzerhandbuch empfohlen wird. Alle anderen Wartungsarbeiten müssen durch einen Fachmann durchgeführt werden.
- Kinder sind zu überwachen, um sicherzustellen, dass sie nicht mit dem Gerät spielen.
- Beim Bohren durch die Wand darauf achten, keine elektrischen Verbindungen und/oder Leitungen zu beschädigen.
- Luftauslässe müssen stets nach außen geführt werden.
- Der Hersteller übernimmt keine Verantwortung für Schäden aufgrund von unsachgemäßer Verwendung oder falscher Einstellungen.
- Konstante und sachgemäße Pflege und Reinigung gewährleisten den einwandfreien Betrieb und die Leistungstüchtigkeit Ihrer Abzugshaube. Säubern Sie regelmäßig alle verschmutzten Flächen Ihrer Abzugshaube, um zu verhindern, dass sich eine Fettschicht darauf bildet. Sie sollten den Filter regelmäßig entfernen und reinigen oder ersetzen. Bereiten Sie keine flambierten Gerichte unter der Abzugshaube zu. Bei offenen Flammen besteht Brandgefahr.
- Das Nichtbeachten der Reinigungsvorschriften für die Dunstabzugshaube sowie für das Auswechseln und Reinigen der Filter führt zu Brandgefahr.
- Die angesaugte Luft darf nicht in ein Abluftrohr geleitet werden, in das die Abluft von mit Gas oder anderen Brennstoffen betriebenen Geräten abgeleitet wird, sondern muss einen separaten Abzug haben. Dabei sind alle nationalen Vorschriften zur Abluftableitung einzuhalten.

- Wird die Dunstabzugshaube zusammen mit anderen Geräten betrieben, die mit Gas oder anderen Brennstoffen angetrieben werden, darf der negative Druck im Raum einen Wert von 4Pa (4 x 10⁻⁵ bar) nicht überschreiten. Daher muss für eine ausreichende Belüftung des Raums gesorgt werden.
- Lassen Sie beim Frittieren keine Pfannen unbeaufsichtigt, da das erhitzte Fett Feuer fangen könnte.
- Stellen Sie vor dem Anfassen der Lampen sicher, dass diese abgekühlt sind.
- Benutzen Sie die Haube nicht ohne die korrekt montierte Halogenlampe, da sonst Stromschlaggefahr besteht.
- Die Abzugshaube ist keine Arbeitsplatte, stellen Sie daher keine Gegenstände darauf ab und belasten Sie sie nicht.
- Tragen Sie bei allen Installations- und Reinigungsarbeiten stets Schutzhandschuhe.
- Dieses Gerät eignet sich nicht für den Gebrauch im Freien.
- Während des Betriebs des Kochfeldes können die erreichbaren Teile der Dunstabzugshaube heiß werden.

Aufstellung und Anschluss

Kontrollieren Sie das Gerät nach dem Auspacken auf eventuelle Transportschäden. Bei auftretenden Problemen wenden Sie sich bitte an die nächste Kundendienststelle. Um eventuellen Schäden vorzubeugen, sollten Sie das Gerät erst unmittelbar vor der Installation von der Polystyrolunterlage nehmen.

Vorbereitung des Einbaus

 **WARNUNG:** Zum Transport und zur Installation der Haube sind zwei oder mehrere Personen erforderlich. Überprüfen Sie vor der Installation auch die im Handbuch des Kochfeldes angegebenen Mindestabstände. Schreiben die Installationsanweisungen des

Kochfelds einen größeren Abstand vor, ist dieser natürlich zu beachten.

Anschluss an das Stromnetz

Die Spannung auf dem Typenschild des Gerätes muss der Spannung des Stromnetzes entsprechen.

Diese Information finden Sie im Inneren der Abzugshaube unter dem Fettfilter.

Das Netzkabel (Typ H05 VV-F) darf nur durch Fachpersonal ersetzt werden.

Wenden Sie sich an eine autorisierte Kundendienststelle.

Der Stecker der Dunstabzugshaube (falls vorhanden) muss an eine normgerechte und gut zugängliche Steckdose angeschlossen werden. Sollte das Gerät nicht mit Stecker versehen sondern direkt mit dem Stromnetz verbunden und die Steckdose unzugänglich sein, müssen Sie einen normgerechten zweipoligen Schalter verwenden, der eine totale Isolierung vom Stromnetz im Falle von gemäß Klasse 3 auftretenden Überspannungen gewährleistet und normgerecht verdrahtet ist.

Gebrauch

Die Abzugshaube kann entweder für den "Absaugbetrieb", oder den "Umluftbetrieb" installiert werden.

Modell mit Absaugbetrieb (siehe das Symbol in der Installationsanweisung)

Die Schwaden werden angesaugt und über das am Dampfauslass der Abzugshaube befestigte Abluftrohr (nicht mitgeliefert) nach außen befördert.

Stellen Sie sicher, dass das Abluftrohr korrekt mit dem Luftauslass verbunden ist, indem Sie für eine geeignete Verbindung sorgen.

Wichtig: Entfernen Sie die eventuell bereits installierten Kohlefilter.

Modell mit Umluftbetrieb (siehe das Symbol in der Installationsanweisung)

Die Luft wird durch einen oder mehrere Kohlefilter angesaugt und gefiltert und danach wieder in den Raum entlassen.

Wichtig: Sorgen Sie für ausreichende Frischluftzufuhr zur Abzugshaube.

Wichtig: Hat die Abzugshaube keine Kohlefilter, sind diese zu bestellen und vor dem Gebrauch zu montieren.

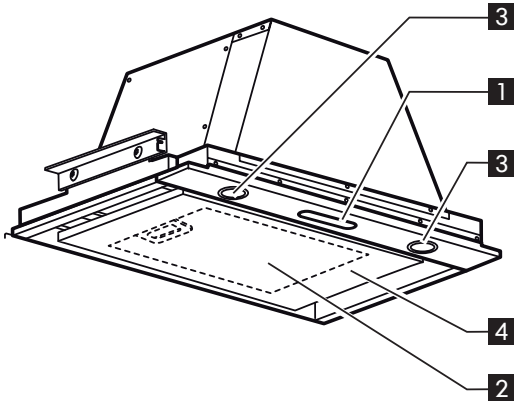
Die Abzugshaube ist fern von stark verschmutzten Bereichen, Fenstern, Türen und Wärmequellen zu installieren.

Im Lieferumfang der Dunstabzugshaube sind sämtliche erforderlichen Materialien für die Installation an den meisten Wänden/ Decken enthalten. Sie sollten aber trotzdem einen qualifizierten Techniker zu Rate ziehen, um sicherzustellen, dass die Materialien für die spezifische Wand-/ Deckenausführung geeignet sind.

Heben Sie diese Anleitung zum späteren Nachschlagen gut auf.



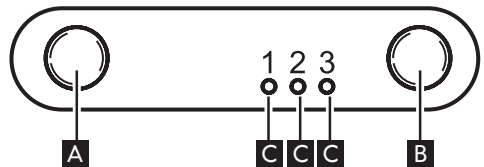
Produktbeschreibung



- 1** Bedienfeld.
- 2** Fettfilter (über dem absaugaktiven Randpaneel)
- 3** Halogenlampen
- 4** Absaugaktives Randpaneel

Bedienfeld

- A** EIN/AUS-Schalter für Beleuchtung
Taste kurz drücken, um das Licht ein- und auszuschalten.
Taste gedrückt halten, um die Helligkeit einzustellen.
- B** EIN/AUS-Schalter für Motor und Auswahl der Leistungsstufe (Abzugsleistung)
Hinweis: Die Taste 2 Sekunden lang gedrückt halten, um die Dunstabzugshaube auf OFF zu schalten.
- C** LED für ausgewählte Leistungsstufe



Reinigung und Pflege

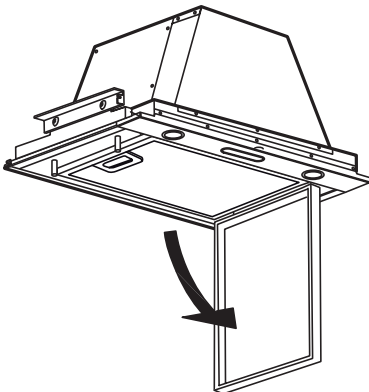
⚠ ACHTUNG - Verwenden Sie Schutzhandschuhe.
 – Trennen Sie das Gerät vom Stromnetz.

Absaugaktives Randpaneel

Das Randpaneel muss genauso häufig gereinigt werden wie der Fettfilter. Verwenden Sie ein feuchtes Tuch und einen milden Flüssigreiniger. Benutzen Sie keinesfalls Scheuermittel. **BENUTZEN SIE KEINEN ALKOHOL** Das Paneel deckt normalerweise den Fettfilter ab und muss daher für den Zugang zum Fettfilter und zum Inneren der Haube (z. B. zum Wechseln des Aktivkohlefilters) geöffnet werden.

Öffnen: Ziehen Sie das Paneel an der LINKEN Seite nach unten.
 Schließen: Lassen Sie das Paneel in den entsprechenden Stiften an der Haube einrasten.

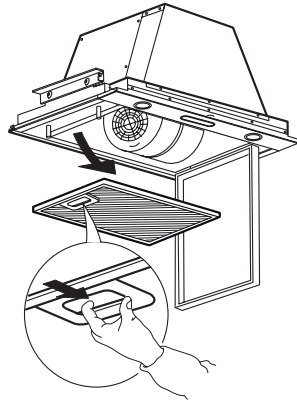
ACHTUNG: Vergewissern Sie sich immer, dass das Paneel richtig sitzt.



Reinigung des Fettfilters

Dieser Filter fängt die beim Kochen entstehenden Fettpartikel auf. Der Fettfilter besteht aus Metall und ist unbegrenzt haltbar. Er sollte mindestens einmal im Monat gespült werden. Sie

können den Filter von Hand oder in der Spülmaschine (Kurzprogramm mit niedriger Temperatur) spülen.



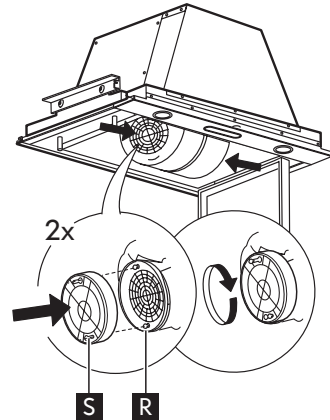
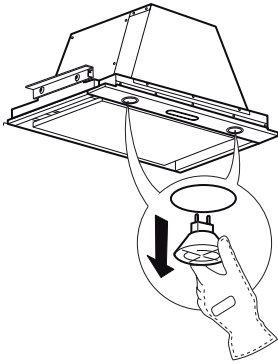
Beim Spülen in der Spülmaschine wird die Oberfläche des Filters eventuell matt. Dies hat keinerlei Auswirkung auf seine Leistung. Zum Herausnehmen ziehen Sie den Filter am Griff heraus.

Nach dem Spülen und Trocknen setzen Sie den Filter wieder ein.

Auswechseln der Halogenlampen

⚠ ACHTUNG - Verwenden Sie ausschließlich GU4-Halogenlampen mit folgenden Spezifikationen: 12 V, 20 W, 30°, Ø35.

1. Trennen Sie die Abzugshaube vom Stromnetz.
2. Drücken Sie die Lampe am Rand mit einem kleinen Schraubendreher nach oben, um sie zu lösen.
3. Ziehen Sie die fehlerhafte Lampe heraus und setzen Sie eine neue ein.



Wartung des Kohlefilters

Der Aktivkohlefilter fängt unangenehme Gerüche auf.

Tauschen Sie den Kohlefilter alle 4 Monate aus.

Einbau oder Austausch des Aktivkohlefilters

1. Trennen Sie die Abzugshaube vom Stromnetz.
2. Entfernen Sie den Fettfilter.
3. Bauen Sie die den Motor abdeckenden Filter ein. Richten Sie die Stifte **R** am Rand an den Aussparungen **S** aus.

Drehen Sie die Filter, so dass sie in den Stiften einrasten.

Zum Entfernen der Filter gehen Sie in umgekehrter Reihenfolge vor.

Setzen Sie den Fettfilter wieder ein.

Was tun, wenn...

Störung	Mögliche Ursache	Abhilfe
Das Gerät funktioniert nicht	Kein Strom	Überprüfen Sie das Hausstromnetz. Schalten Sie das Gerät aus und wieder ein, um festzustellen, ob die Störung erneut auftritt.
	Das Gerät ist nicht ans Stromnetz angeschlossen	Prüfen Sie, ob das Gerät ans Stromnetz angeschlossen ist. Schalten Sie das Gerät aus und wieder ein, um festzustellen, ob die Störung erneut auftritt.
Schwache Absaugleistung	Niedrige Absauggeschwindigkeit	Kontrollieren Sie die Absauggeschwindigkeit und stellen Sie sie ggf. ein
	Die Filter sind verschmutzt	Prüfen Sie, ob die Filter sauber sind Waschen Sie verschmutzte Filter im Geschirrspüler.
	Die Abluftöffnungen sind verstopft	Beseitigen Sie eventuelle Verstopfungen in den Abluftöffnungen.
Die Lampe funktioniert nicht	Die Glühlampe ist kaputt	Prüfen und ersetzen Sie ggf. die Glühlampe.
	Die Glühlampe ist falsch montiert	Prüfen Sie die korrekte Montage der Glühlampe. Montieren Sie ggf. die Glühlampe korrekt.

Bevor Sie den Kundendienst rufen:

Schalten Sie das Gerät nochmals ein, um zu prüfen, ob die Störung immer noch vorliegt. Haben Sie keinen Erfolg, so schalten Sie das Gerät aus und wiederholen Sie den Versuch nach einer Stunde.

Arbeitet das Gerät trotz vorgenannter Kontrollen und nach dem Neueinschalten des Gerätes weiterhin nicht korrekt, setzen Sie sich bitte mit dem Kundendienst in Verbindung. Erklären Sie die Art der Betriebsstörung und geben Sie folgendes an:

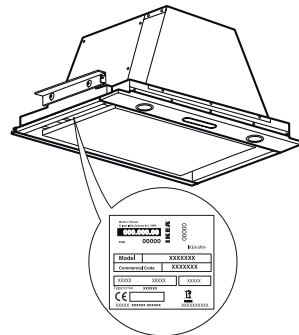
- Art der Störung;
- Gerätemodell;
- Bauart und Seriennummer des Gerätes (siehe Typenschild);
- die Servicenummer (Ziffer hinter dem Wort "SERVICE" auf dem Typenschild im Geräteinnern).



Technische Daten


Einbaumaße (mm)	Breite	561
	Höhe	358
	Tiefe	354
Max. Luftdurchsatz – Abluftbetrieb (m³/h)		573
Max. Geräuschpegel – Abluftbetrieb (dBa)		65
Max. Luftdurchsatz – Umluftbetrieb (m³/h)		369
Max. Geräuschpegel – Umluftbetrieb (dBa)		67
Gesamtleistung (W)		220
Lampen		2x 20W
Mindestabstände bei der Installation (cm)	Gas- oder kombinierte Kochfelder	65
	elektrische Kochfelder	50

Die technischen Daten können dem Typenschild im Gerät und dem Energie-Etikett entnommen werden.



Hinweise zum Umweltschutz


Entsorgung der Verpackung

Das Verpackungsmaterial ist zu 100% wieder verwertbar und trägt das Recycling-Symbol . Werfen Sie das Verpackungsmaterial deshalb nicht einfach fort, sondern entsorgen Sie es auf die von den verantwortlichen Stellen festgelegte Weise.

Entsorgung von Altgeräten

- Dieses Gerät ist gemäß der Europäischen Richtlinie 2002/96/EC für Elektro- und Elektronik-Altgeräte gekennzeichnet.
- Durch eine angemessene Entsorgung des Geräts trägt der Nutzer dazu bei, potentiell schädliche Auswirkungen für Umwelt und Gesundheit zu vermeiden, die durch eine nachlässige Beseitigung dieses Produkts verursacht würden.



Das Symbol  auf dem Gerät bzw. auf dem beiliegenden Informationsmaterial weist darauf hin, dass dieses Gerät kein normaler Haushaltsabfall ist, sondern in einer Sammelstelle für Elektro- und Elektronik-Altgeräte entsorgt werden muss.

Entsorgung von Altgeräten

• Dieses Gerät wurde aus recycelbaren oder wiederverwendbaren Werkstoffen hergestellt. Beachten Sie bei der Entsorgung die örtlichen Verordnungen

zur Abfallbeseitigung. Schneiden Sie das Netzkabel durch, bevor Sie das Gerät verschrotten.

• Genauere Informationen zu Behandlung, Entsorgung und Recycling von elektrischen Haushaltsgeräten erhalten Sie bei Ihrer örtlichen Verwaltungsstelle, der Müllabfuhr oder dem Händler, bei dem Sie das Gerät gekauft haben.

Konformitätserklärung

• Dieses Gerät wurde in Übereinstimmung mit der EG-Verordnung 1935/2004 zur Lagerung von Lebensmitteln hergestellt.



• Dieses Gerät wurde gemäß folgender Richtlinien entworfen, hergestellt und in den Handel eingeführt:

- Sicherheitsanforderungen der "Niederspannungsrichtlinie" 2006/95/CE (die 73/23/CEE und nachfolgende Änderungen ersetzt).
- Schutzvorschriften der EMV-Richtlinie 2004/108/EG.

Die elektrische Sicherheit des Gerätes ist nur dann gewährleistet, wenn es korrekt an eine funktionstüchtige und den gesetzlichen Bestimmungen entsprechende Erdung angeschlossen ist.

IKEA GARANTIE

Wie lange ist die IKEA Garantie gültig?

Die Garantie gilt fünf (5) Jahre ab dem Kaufdatum von bei IKEA gekauften Geräten, es sei denn, es handelt sich um Geräte der Marke "LAGAN". Bei diesen Geräten gilt eine Garantie von zwei (2) Jahren. Als Kaufnachweis ist das Original des Einkaufsbeleges erforderlich. Werden im Rahmen der Garantie Arbeiten ausgeführt, verlängert sich dadurch nicht die Garantiezeit für das Gerät.

Welche Geräte sind nicht von der 5-(Fünf)-Jahres-Garantie abgedeckt?

Die Geräte der Marke LAGAN und alle bei IKEA vor dem 1. August 2007 gekauften Geräte.

Wer übernimmt den Service?

IKEA führt die Serviceleistungen über sein eigenes Kundendienstnetz oder einen autorisierten Servicepartner aus.

Was deckt diese Garantie ab?

Die Garantie deckt Gerätefehler ab, die aufgrund einer fehlerhaften Konstruktion oder aufgrund von Materialfehlern nach dem Datum des Einkaufs bei IKEA entstanden sind. Die Garantie gilt nur für den Hausgebrauch des betreffenden Gerätes. Ausnahmen sind unter der Überschrift "Was deckt die Garantie nicht ab?" erläutert. Innerhalb der Garantiefrist werden die Kosten für Reparatur, Ersatzteile sowie die Arbeits- und Fahrtkosten übernommen, vorausgesetzt, das Gerät ist ohne besonderen Aufwand für eine Reparatur zugänglich. Die EU-Richtlinien (Nr. 99/44/EG) und die jeweiligen örtlichen Bestimmungen gelten unter diesen Bedingungen. Ersetzte Teile gehen in das Eigentum von IKEA über.

Was unternimmt IKEA, um das Problem zu lösen?

Der IKEA Kundendienst begutachtet das Produkt und entscheidet nach eigenem Ermessen, ob ein Garantieanspruch besteht. Wenn die Garantie geltend gemacht werden kann, wird IKEA durch seinen eigenen Kundendienst oder einen autorisierten Servicepartner nach eigenem Ermessen das schadhafte Produkt entweder reparieren oder durch ein gleiches oder vergleichbares Produkt ersetzen.

Was deckt diese Garantie nicht ab?

- Normale Abnutzungen und Beschädigungen.
- Vorsätzlich oder fahrlässig herbeigeführte Schäden, Beschädigungen infolge Missachtung der Bedienungsanleitung, unsachgemäßer Installation, falschen Spannungsanschlusses, Beschädigung durch chemische oder elektrochemische Reaktionen, inklusive von Korrosions- oder Wasserschäden diese sind nicht beschränkt auf Schäden durch ungewöhnlich hohen Kalkgehalt im Wasser, Beschädigungen durch aussergewöhnliche Umweltbedingungen.
- Verbrauchs- und Verschleißteile wie

Batterien und Glühlampen.

- Nichtfunktionelle und dekorative Teile, die den normalen Gebrauch nicht beeinflussen, sowie Kratzer oder mögliche Farbveränderungen.
- Zufallsschäden durch Fremdkörper, Substanzen oder Reinigungsarbeiten an Filtern, Abflüssen oder Wasch-/Spülmittelfächern.
- Schäden an folgenden Teilen: Glaskeramik, Zubehör, Geschirr- und Besteckkörbe, Zu- und Abflussschläuche, Dichtungen, Glühlampen und deren Abdeckungen, Siebe, Knöpfe, Gehäuse und Gehäuseteile. Soweit nicht nachgewiesen wird, dass solche Schäden auf Herstellungsmängel zurückzuführen sind.
- Fälle, in welchen der gerufene Servicetechniker keinen Fehler finden konnte.
- Reparaturen, die nicht von unserem eigenen Kundendienst oder -einem Servicevertragspartner ausgeführt oder bei denen keine Originalteile verwendet wurden.
- Durch fehlerhafte oder unvorschriftsmäßige Installation erforderliche Reparaturen.
- Die reparatur von Schäden, die durch eine gewerbliche Nutzung des Gerätes entstanden sind. gewerbliche Nutzung des Gerätes.
- Transportschäden. Wenn der Kunde das Produkt selbst nach Hause oder zu einer anderen Adresse transportiert, ist IKEA von der Haftung für Transportschäden jeder Art freigestellt. Liefert IKEA das Produkt direkt an die Kundenadresse, werden eventuelle Transportschäden durch IKEA gedeckt.
- Kosten für die Installation des IKEA-Gerätes.
Wenn jedoch der IKEA-Kundendienst oder ein Servicevertragspartner im Rahmen der Garantie Reparaturen ausführt oder das Gerät ersetzt, installiert der Kundendienst oder der Servicevertragspartner das

ausgebesserte Gerät oder das Ersatzgerät, falls dies erforderlich sein sollte.

Als Ausnahme gilt die fehlerfreie Installation durch qualifizierte Fachleute unter Verwendung von Originalteilen, um das Gerät den technischen Sicherheitsvorschriften eines anderen EU-Landes anzupassen.

Gültigkeit der länderspezifischen Bestimmungen

IKEA räumt Ihnen eine spezielle Garantie ein, die die gesetzlichen Gewährleistungsrechte, die von Land zu Land jedoch unterschiedlich sein können, mindestens abdeckt bzw. erweitert. Allerdings schränken diese Bedingungen in keiner Weise die landesweit geltenden Verbraucherrechte ein.

Gültigkeitsbereich

Für Geräte, die einem EU-Land gekauft und in ein anderes EU-Land mitgenommen werden, wird der Kundendienst gemäß den Garantierichtlinien im neuen Land übernommen. Eine Verpflichtung zur Durchführung von Leistungen im Rahmen der Garantie besteht nur dann, wenn das Gerät gemäß der Montageanleitung und gemäß:

- den technischen Spezifikationen des Landes, in dem der Garantieanspruch erfolgt;
- den Montageinstruktionen und Informationen im Benutzerhandbuch entspricht.

Der engagierte Kundendienst für IKEA Geräte

Der IKEA-Service steht Ihnen bei folgenden Fragen / Anliegen gerne zur Verfügung:

- Wenn Sie einen Kundendienst im Rahmen der Garantie benötigen
- Bei Fragen zur Installation Ihres IKEA-Gerätes in den IKEA-Möbelkörper
- Wenn Sie Fragen zu den Funktionen Ihres IKEA-Gerätes haben.

Um Ihnen möglichst schnell und kompetent weiterhelfen zu können, bitten wir Sie, sich vorher die Montage- und Gebrauchsanweisung Ihres Gerätes genauestens durchzulesen.

So erreichen Sie unseren Service



Gehen Sie dazu auf die letzte Seite dieser Broschüre. Dort finden Sie eine Übersicht mit den entsprechenden Telefonnummern und Kontaktdaten unserer autorisierten Kundendienste.

i **Damit wir Ihnen im Falle einer Störung jederzeit schnell helfen können, bitten wir Sie, die in diesem Handbuch aufgeführten Rufnummern zu verwenden. Wenden Sie sich jeweils an die für den betreffenden Gerätetyp angegebene Rufnummer. Halten Sie dazu bitte die (8-stellige) IKEA Artikelnummer und die 12-stellige Servicenummer (auf dem Geräte-Typschild vermerkt) Ihres IKEA Gerätes bereit.**

i **BEWAHREN SIE DEN KAUFBELEG GUT AUF!**

Unser Service kann einen Garantieanspruch nur unter Vorlage dieses Beleges akzeptieren. Auf dem Kaufbeleg ist auch die IKEA Bezeichnung und Artikelnummer (8-stelliger Code) für jedes der Geräte, die Sie gekauft haben, vermerkt.

Benötigen Sie weiteren Rat und Unterstützung?

Bei allen anderen, nicht kundendienstspezifischen Fragen, bitten wir Sie, sich an Ihr nächstgelegenes IKEA-Einrichtungshaus zu wenden. Wir empfehlen Ihnen, sich vorher die dem Gerät beigefügten Unterlagen genauestens durchzulesen.

Index

Informations relatives à la sécurité	26	Ce qu'il convient de faire si ...	32
Description de l'appareil	29	Données techniques	33
Bandeau de commande	29	Protection de l'environnement	34
Nettoyage et entretien	30	GARANTIE IKEA	34


Informations relatives à la sécurité

Avant la première utilisation


Accordez toujours la priorité à la sécurité.


Retirez les protections en carton, les films transparents et les étiquettes autocollantes présentes sur les accessoires. Vérifiez que l'appareil n'a pas été endommagé pendant le transport. Pour éviter tout endommagement, ne placez aucun poids sur l'appareil. Évitez d'exposer l'appareil aux agents atmosphériques.

D'importants messages relatifs à la sécurité figurent dans le présent manuel et sur l'appareil. Nous vous invitons à les lire attentivement et à les observer en toute circonstance.

 Ceci est le symbole de précaution sécuritaire. Il met en garde l'utilisateur et toute autre personne contre les risques potentiels dérivant de l'utilisation de cet appareil.

Tous les avertissements concernant la sécurité sont précédés par le symbole de précaution et les termes suivants :

 **DANGER** : Indique une situation dangereuse qui, si elle n'est pas évitée, provoque des blessures graves.

 **AVERTISSEMENT** : Indique une situation dangereuse qui, si elle n'est pas évitée, est susceptible de provoquer des blessures graves.

Les avertissements concernant la sécurité incluent tous des informations détaillées sur les dangers/risques potentiels présents, et indiquent comment réduire le risque de blessures, de dommages et de choc électrique résultant d'une utilisation incorrecte de l'appareil. Observez scrupuleusement les instructions suivantes.

Précautions et recommandations générales

- Assurez-vous que l'installation et le raccordement électriques sont réalisés par un technicien qualifié, conformément aux instructions du fabricant et aux normes locales en vigueur en matière de sécurité. Ne procédez à aucune réparation ni aucun remplacement de pièce sur l'appareil autres que ceux spécifiquement indiqués dans le manuel d'utilisation.
- Débranchez l'appareil de l'alimentation électrique avant de procéder à l'installation.
- La mise à la terre de l'appareil est obligatoire. (Nécessaire uniquement pour la classe I)
- Le cordon d'alimentation de l'appareil doit être suffisamment long pour permettre le branchement de l'appareil sur la prise secteur après son encastrement.
- Ne tirez jamais sur le cordon d'alimentation pour débrancher l'appareil de la prise secteur.
- Une fois l'installation terminée, l'utilisateur ne doit plus pouvoir accéder aux composants électriques.
- Évitez de toucher l'appareil avec les mains mouillées et ne l'utilisez pas lorsque vous êtes pieds nus.
- Les personnes (y compris les enfants) qui, en raison de leurs capacités physiques, sensorielles ou mentales, de leur inexpérience ou de leur méconnaissance, ne sont pas en mesure d'utiliser l'appareil en toute

sécurité, doivent se servir de l'appareil uniquement sous la surveillance ou en se conformant aux instructions d'une personne responsable.

- Pour toute réparation ou tout remplacement de pièces, procédez uniquement aux opérations spécifiées dans le manuel. Toutes les autres opérations d'entretien sont du ressort exclusif d'un technicien spécialisé.
- Pour éviter que les enfants ne jouent avec l'appareil, ne les laissez pas sans surveillance à proximité de ce dernier.
- Lorsque vous devez effectuer des perçages dans le mur, prenez garde d'endommager les raccordements électriques et/ou la tuyauterie.
- Les orifices de ventilation doivent toujours refouler l'air à l'extérieur.
- Le fabricant décline toute responsabilité relative à des dommages résultant d'une utilisation ou d'une configuration incorrecte de l'appareil.
- Un entretien et un nettoyage appropriés permettent de maintenir l'appareil en bon état de marche et d'obtenir des performances optimales. Nettoyez régulièrement les saletés superficielles tenaces pour éviter toute accumulation de graisse. Retirez et nettoyez ou remplacez régulièrement le filtre.
- Ne flambez jamais des aliments sous l'appareil. Des flammes nues risqueraient de provoquer un incendie.
- Un non-respect des instructions de nettoyage de la hotte et de remplacement des filtres peut être à l'origine d'un incendie.
- L'air évacué ne doit pas être acheminé via un conduit servant à l'évacuation des fumées d'appareils à gaz ou autres combustibles, mais doit être dirigé vers une sortie indépendante. Respectez toutes les réglementations nationales relatives à l'évacuation des fumées.
- La ventilation doit être adéquate si


la hotte est destinée à être utilisée en même temps que des appareils fonctionnant au gaz ou avec d'autres combustibles. La pression négative dans la pièce ne doit pas dépasser 4 Pa (4x 10⁻⁵ bar). Veillez par conséquent à ce que la pièce soit correctement ventilée.

- Ne laissez pas de poêles à frire sans surveillance lors de la cuisson, car l'huile de friture peut s'enflammer.
- Avant de toucher les ampoules, assurez-vous qu'elles sont froides.
- N'utilisez pas et ne laissez pas la hotte avec des ampoules incorrectement installées (ou manquantes), car cela serait susceptible de provoquer des commotions électriques.
- La hotte n'est pas une surface de travail. Ne placez par conséquent pas d'objets dessus ou ne la surchargez pas.
- Pendant toutes les opérations d'installation et d'entretien, portez des gants de travail appropriés.
- Cet appareil n'est pas conçu pour une utilisation en extérieur.
- Lorsque la table de cuisson est en cours d'utilisation, les parties accessibles de la hotte peuvent devenir très chaudes.

Installation et raccordement

Après le déballage de l'appareil, vérifiez qu'il n'a pas été endommagé pendant le transport. En cas de problème, contactez le service après-vente. Pour éviter tout endommagement, attendez le moment de l'installation pour extraire l'appareil de son emballage en polystyrène.

Préparation en vue de l'installation

 **AVERTISSEMENT** : Au moins deux personnes sont nécessaires pour soulever et installer la hotte.

Avant de procéder à l'installation, vérifiez également les distances minimum spécifiées dans le manuel de la cuisinière.

Si les instructions d'installation de la cuisinière spécifient une distance supérieure

entre la cuisinière et la hotte, cette distance doit être observée.

Raccordement électrique

Vérifiez que la tension électrique spécifiée sur la plaque signalétique de l'appareil correspond à la tension de secteur. Cette information figure sur la partie intérieure de la hotte, sous le filtre à graisses.

Le remplacement du câble électrique (type H05 VV-F) doit être effectué par un électricien qualifié. Contactez un centre d'entretien agréé.

Si la hotte est équipée d'une fiche électrique, branchez cette fiche sur une prise conforme aux réglementations en vigueur et située à un emplacement accessible.

En l'absence de fiche (câblage direct sur le réseau électrique) ou si la prise n'est pas située à un emplacement accessible, installez un interrupteur bipolaire normalisé permettant une coupure complète du réseau électrique en cas de surtension de catégorie III, conformément aux réglementations sur le câblage.

Utilisation

La hotte a été conçue pour être installée et utilisée comme modèle à aspiration ou modèle à recyclage.

Le modèle à aspiration (voir le symbole



dans le livret d'installation)

La vapeur de cuisson est aspirée et évacuée à l'extérieur de l'habitation via une conduite d'évacuation (non fournie), installée sur la sortie de vapeur de la hotte.

Assurez-vous que la conduite d'évacuation est correctement installée sur la sortie d'air à l'aide du système de raccordement approprié.

Remarque importante : S'il(s) est/ont déjà installé(s), retirez le(s) filtre(s) au charbon.

Modèle à recyclage (voir le symbole



dans le livret d'installation)

L'air est filtré via un ou plusieurs filtres à charbon, puis est rejeté dans la pièce.

Remarque importante : Assurez une circulation appropriée de l'air autour de la hotte.

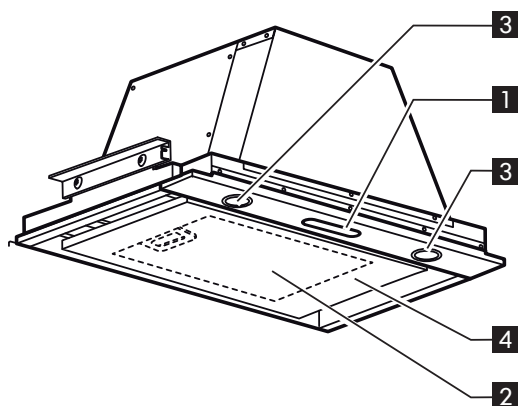
Remarque importante : Si la hotte est fournie sans filtre au charbon, vous devez les commander et les installer avant d'utiliser la hotte.

La hotte doit être installée à l'écart de zones particulièrement sales, de fenêtres, de portes et de sources de chaleur.

La hotte est vendue avec tous les composants nécessaires pour une installation sur la plupart des murs et plafonds. Demandez cependant à un technicien qualifié de vérifier que les éléments fournis sont adaptés au type de mur/plafond.

Conservez le présent livret pour toute consultation future.

Description de l'appareil



- 1 Bandeau de commande.
- 2 Filtre à graisses (au-dessus du filtre d'aspiration)
- 3 Ampoules halogènes
- 4 Panneau d'aspiration

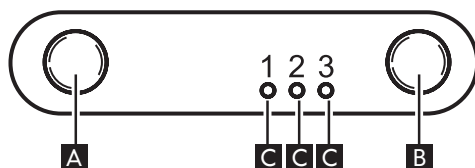
Bandeau de commande

A Touche Marche/Arrêt avec voyant
Appuyez brièvement pour allumer et éteindre l'éclairage.
Tenez enfoncé pour régler l'intensité de l'éclairage.

B Touche Marche/Arrêt moteur et sélection de la vitesse (puissance d'aspiration)

Remarque : Tenez enfoncé la touche pendant 2 secondes pour régler la hotte sur ARRÊT.

C LED de puissance sélectionnée



Nettoyage et entretien

⚠ AVERTISSEMENT - Portez des gants de sécurité.

- Débranchez l'appareil du réseau électrique.

Panneau d'aspiration

Le panneau d'aspiration doit être nettoyé à la même fréquence que le filtre à graisses. Utilisez un chiffon imbibé d'un détergent liquide doux.

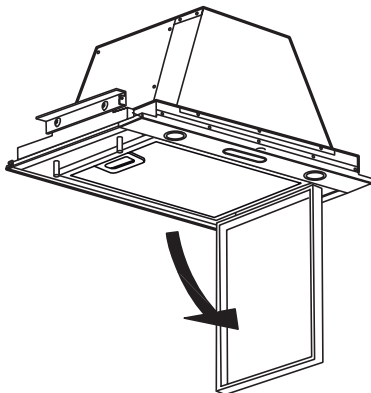
N'utilisez pas de produits contenant des substances abrasives. **N'UTILISEZ PAS D'ALCOOL**

Le panneau recouvre normalement les filtres à graisses et doit donc toujours être ouvert pour accéder aux filtres et à l'intérieur de la hotte (par ex., pour remplacer les filtres au charbon).

Ouverture : Tirez le panneau (CÔTÉ GAUCHE) vers le bas.

Fermeture : Fixez les panneaux à l'aide des goujons à la surface de la hotte.

AVERTISSEMENT : Vérifiez toujours que le panneau est bien en place.

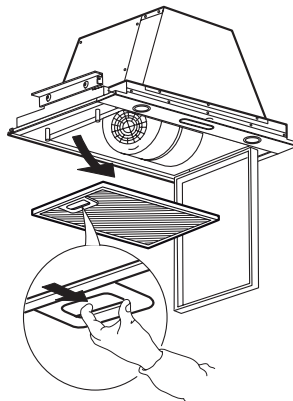


Nettoyage du filtre à graisses

Le filtre retient toutes les particules grasses en suspension dans les buées de cuisson.

Le filtre métallique à graisses a une durée de vie illimitée. Ce filtre doit être nettoyé

au moins une fois par mois, en le lavant à la main ou au lave-vaisselle (cycle court et basse température).



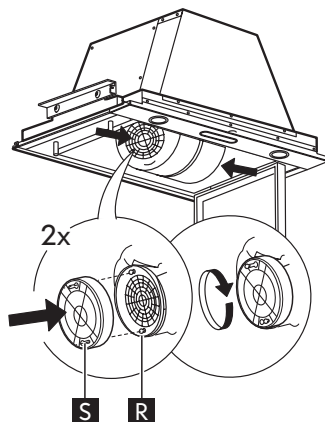
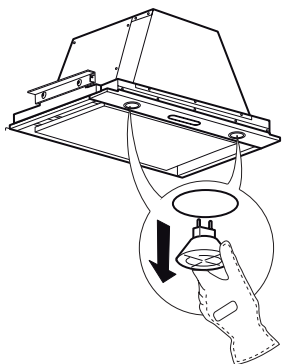
La surface du filtre à graisses peut devenir opaque s'il est lavé en lave-vaisselle. Mais le lave-vaisselle n'altère en aucun cas son efficacité.

Pour enlever le filtre, tirez sur la poignée. Quand le filtre est propre et sec, remettez-le en place en suivant la même procédure dans le sens inverse.

Remplacement des ampoules halogènes

⚠ AVERTISSEMENT - Utilisez uniquement des ampoules halogènes 12V 20W, culot GU4, angle 30° Ø35.

1. Débranchez la hotte de l'alimentation secteur.
2. Enlevez l'ampoule à l'aide d'un petit tournevis, en faisant levier sur ses bords.
3. Enlevez l'ampoule grillée et remplacez-la par une ampoule neuve.



Entretien du filtre à charbon

Le filtre à charbon retient les odeurs de cuisine.

Remplacez le filtre à charbon tous les 4 mois.

Montage et remplacement du filtre à charbon

- 1 Débranchez la hotte de l'alimentation secteur.
2. Enlevez les filtres à graisses.
3. Installez les filtres de façon couvrant les moteurs. Vérifiez que les goujons **R** sur le convoyeur sont en face des orifices **S**.

Tournez les filtres pour les verrouiller sur les goujons.

Pour retirer les filtres, suivez la même procédure dans le sens inverse.

Reposez les filtres à graisses.

Ce qu'il convient de faire si ...

Problème	Cause possible	solution
L'appareil ne fonctionne pas.	Il ne reçoit aucune alimentation électrique.	Vérifiez la présence d'une alimentation secteur. Éteignez l'appareil puis remettez-le en marche pour vérifier si le problème a été éliminé.
	L'appareil n'est pas branché sur l'alimentation électrique.	Vérifiez si l'appareil est branché sur l'alimentation électrique. Éteignez l'appareil puis remettez-le en marche pour vérifier si le problème a été éliminé.
Le niveau d'aspiration de la hotte est insuffisant.	La vitesse d'aspiration est trop faible.	Vérifiez la vitesse d'aspiration sélectionnée et modifiez-la selon le besoin.
	Les filtres sont encrassés.	Vérifiez si les filtres sont propres. S'ils ne le sont pas, lavez les filtres au lave-vaisselle.
	Les orifices de ventilation sont obstrués.	Vérifiez si les orifices de ventilation sont obstrués et dégagez-les selon le besoin.
L'éclairage ne fonctionne pas.	L'ampoule est grillée.	Vérifiez l'ampoule et remplacez-la si nécessaire.
	L'ampoule est incorrectement installée.	Vérifiez si l'ampoule a été correctement installée. Si tel n'est pas le cas, installez l'ampoule de façon appropriée.

Avant de contacter le service après-vente :

Remettez l'appareil en marche pour vérifier si le problème a disparu. Si le problème persiste, débranchez à nouveau l'appareil et recommencez l'opération une heure plus tard.

Si votre appareil ne fonctionne toujours pas correctement après la réalisation des vérifications ci-avant, prenez contact avec le service après-vente, expliquez clairement le problème et spécifiez :

- le type de dysfonctionnement ;
- le modèle ;

- le type et le numéro de série de l'appareil (informations indiquées sur la plaque signalétique) ;

- le numéro de service (numéro figurant après l'indication SERVICE, sur la plaque signalétique apposée à l'intérieur de l'appareil).

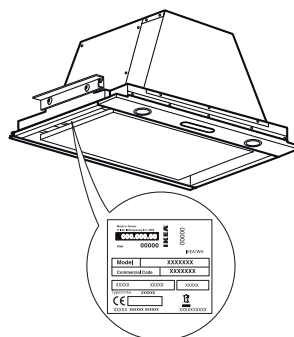
SERVICE 0000 000 00000



Données techniques


Dimensions - Internes (mm)	Largeur	561
	Hauteur	358
	Profondeur	354
Débit d'air max. - Aspiration (m ³ /h)		573
Niveau sonore max. - Aspiration (dBa)		65
Débit d'air max. - Recyclage (m ³ /h)		369
Niveau sonore max. - Recyclage (dBa)		67
Puissance totale (W)		220
Ampoules		2x 20W
Hauteur d'installation minimale (cm)	cuisinières au gaz ou mixtes	65
	cuisinières électriques	50

Les caractéristiques techniques sont indiquées sur la plaque signalétique située à l'intérieur de l'appareil et sur l'étiquette-énergie



Protection de l'environnement

Mise au rebut de l'emballage


Les matériaux d'emballage sont entièrement recyclables et portent le symbole de recyclage . L'emballage doit par conséquent être mis au rebut de façon responsable et en conformité avec les réglementations locales en vigueur en matière d'élimination des déchets.

Mise au rebut de l'appareil

- Cet appareil est certifié conforme à la Directive Européenne 2002/96/CE relative aux déchets d'équipements électriques et électroniques (DEEE ou WEEE).

- En procédant correctement à la mise au rebut de cet appareil, vous contribuerez à éviter des conséquences nuisibles pour l'environnement et la santé de l'homme.



Le symbole  apposé sur le produit ou sur la documentation qui l'accompagne indique que cet appareil ne doit pas être traité comme une ordure ménagère mais doit être remis à un centre de collecte spécialisé dans le recyclage des appareils électriques et électroniques.

Mise au rebut des appareils ménagers usagés

• Cet appareil est fabriqué à partir de matériaux recyclables ou réutilisables. Mettez-le au rebut en vous conformant

aux prescriptions locales en matière d'élimination des déchets. Avant de mettre votre appareil au rebut, coupez le cordon d'alimentation.

• Pour toute information sur le traitement, la récupération et le recyclage des appareils électroménagers, contactez le service municipal compétent, le service de collecte des déchets ménagers ou le revendeur de l'appareil.

Déclaration de conformité

• Cet appareil a été conçu pour la conservation d'aliments et a été fabriqué conformément au règlement (CE) N° 1935/2004.



• Cet appareil a été conçu, fabriqué et commercialisé en conformité avec :

- les objectifs sécurité de la directive « Basse Tension » 2006/95/CE (laquelle remplace la directive 73/23/CEE et les amendements ultérieurs) ;
- les conditions requises en matière de protection de la Directive « CEM » 2004/108/CE.

La sécurité électrique de l'appareil est garantie uniquement lorsqu'il est correctement raccordé à une installation de mise à la terre approuvée.

GARANTIE IKEA (FRANCE)

CONTRAT DE GARANTIE ET DE SERVICE APRES-VENTE IKEA

Décret n° 87-1045 relatif à la présentation des écrits constatant les contrats de garantie et de service après-vente (J.O.R.F. du 29 décembre 1987).

Préalablement à la signature du bon de commande, le vendeur indiquera à l'acheteur les installations nécessaires pour assurer le branchement de l'appareil selon les règles de l'art.

Numéros de modèle et de série (Reporter ici le numéro d'identification porté sur l'étiquette code barre du produit)

Modèle :

N° de série :

Date d'achat (Reporter ici la date d'achat portée sur votre ticket de caisse) :

Le vendeur est tenu de fournir une marchandise conforme à la commande.

Livraison et mise en service

Livraison à domicile : oui, si demandée

par le client (selon modalités définies et mentionnées sur la facture d'achat ou le bon de commande).

Gratuite : non (tarif et modalités disponibles en magasin et fournis au client au moment de la commande ou de l'achat).

Mise en service : non.

En cas de défauts apparents ou d'absence de notice d'emploi et d'entretien, l'acheteur a intérêt à les faire constater par écrit par le vendeur ou le livreur lors de l'enlèvement de la livraison ou de la mise en service.

Garantie Légale (sans supplément de prix)

A la condition que l'acheteur fasse la preuve du défaut caché, le vendeur doit légalement en réparer toutes les conséquences (art.1641 et suivants du Code Civil). Si l'acheteur s'adresse aux tribunaux, il doit le faire dans un délai de deux ans à compter de la découverte du défaut caché (art.1648 du Code Civil).

Nota - En cas de recherche de solutions amiables préalablement à toute action en justice, il est rappelé qu'elles n'interrompent pas le délai de prescription. La réparation des conséquences du défaut caché, lorsqu'il a été prouvé, comporte, selon la jurisprudence:

- soit la réparation totalement gratuite de l'appareil, y compris les frais de main-d'oeuvre et de déplacement au lieu de la mise en service ;
- soit son remplacement ou le remboursement total ou partiel de son prix au cas où l'appareil serait totalement ou partiellement inutilisable ;
- et l'indemnisation du dommage éventuellement causé aux personnes ou aux biens par le défaut de l'appareil.

La garantie légale due par le vendeur n'exclut en rien la garantie légale due par le constructeur.

Litiges éventuels

En cas de difficulté vous avez la possibilité, avant toute action en justice, de rechercher

une solution amiable, notamment avec l'aide :

- d'une association de consommateurs ;
- ou d'une organisation professionnelle de la branche;
- ou de tout autre conseil de votre choix.

Il est rappelé que la recherche d'une solution amiable n'interrompt pas le délai de deux ans de l'art.1648 du Code Civil. Il est aussi rappelé qu'en règle générale et sous réserve de l'appréciation des tribunaux, le respect des dispositions de la présente garantie contractuelle suppose :

- Que l'acheteur honore ses engagements financiers envers le vendeur;
- Que l'acheteur utilise l'appareil de façon normale; (*)
- Que pour les opérations nécessitant une haute technicité aucun tiers non agréé par le vendeur ou le constructeur n'intervienne pour réparation sur l'appareil (sauf cas de force majeure ou carence prolongée du vendeur).

(*) Voir la notice d'emploi et d'entretien et les conditions d'application de la garantie contractuelle

Garantie contractuelle IKEA

PRIX : rien à payer en sus.

DUREE : 5 (cinq) ans.

POINT DE DEPART : à compter de la date d'achat chez IKEA.

RÉPARATION DE L'APPAREIL :

- remplacement des pièces, main-d'oeuvre, déplacement, transport des pièces ou de l'appareil : oui
- garantie des pièces remplacées : non
- délai d'intervention : fonction du type de réparation et porté à la connaissance de l'acheteur avant intervention.

REPLACEMENT OU REMBOURSEMENT DE L'APPAREIL (en cas d'impossibilité de réparation reconnue par le vendeur et le constructeur) : oui

Pour mettre en oeuvre le service après-vente en cas de panne couverte par la garantie contractuelle, ou pour obtenir

des informations techniques pour la mise en service ou le bon fonctionnement de l'appareil, contacter IKEA au numéro de téléphone respectif, suivant le pays, indiqué à la fin de cette notice et correspondant à votre appareil.

Conservez votre preuve d'achat avec le document de garantie, ils vous seront nécessaires pour la mise en oeuvre de la garantie.

CONDITIONS DE GARANTIE CONTRACTUELLE IKEA

Quelle est la durée de validité de la garantie ?

La présente garantie est valable cinq (5) ans à compter de la date d'achat chez IKEA d'un appareil électroménager de l'assortiment cuisines, à l'exception des appareils LAGAN qui sont garantis pour une durée de deux (2) ans.

L'original du ticket de caisse, de la facture ou du bon de livraison en cas de vente à distance sera exigé comme preuve de l'achat. Conservez-le dans un endroit sûr. La réparation ou le remplacement du produit défectueux n'a pas pour conséquence de prolonger la durée initiale de garantie. Toutefois, conformément à l'art. L.211-16 du Code de la Consommation, toute période d'immobilisation du produit, pour une remise en état couverte par la garantie, d'au moins sept jours vient s'ajouter à la durée de la garantie qui restait à courir à la date de la demande d'intervention du consommateur ou de la mise à disposition pour réparation du bien en cause, si cette mise à disposition est postérieure à la demande d'intervention.

Quels sont les appareils électroménagers couverts par la garantie ?

La garantie IKEA de cinq (5) ans couvre tous les appareils électroménagers de l'assortiment cuisines, hors appareils de la série LAGAN qui sont garantis pour une durée de deux (2) ans, achetés chez IKEA à compter du 1er août 2007.

Quels sont les appareils électroménagers exclus de la présente garantie ?

Les appareils électroménagers portant le nom de LAGAN, et tous les appareils électroménagers de l'assortiment cuisines IKEA achetés avant le 1er août 2007.

Qui est couvert par la garantie ?

La présente garantie concerne l'acheteur agissant en qualité de consommateur à compter de la date d'achat du produit.

Qui exécutera les prestations dans le cadre de la garantie ?

Le prestataire de services désigné par IKEA fournira l'assistance de son réseau de réparateurs agréés pour vous servir dans le cadre de cette garantie. Pour la mise en oeuvre, veuillez vous reporter à la rubrique «Comment nous joindre ».

Que couvre cette garantie ?

La présente garantie IKEA couvre les défauts de construction et de fabrication susceptibles de nuire à une utilisation normale, à compter de la date d'achat chez IKEA par le client. Elle ne s'applique que dans le cadre d'un usage domestique. Les exclusions sont reprises dans la section "Qu'est-ce qui n'est pas couvert dans le cadre de cette garantie ?"

Les présentes conditions de garantie couvrent les frais de réparation, de pièces de rechange, de main d'oeuvre et de déplacement du personnel à domicile pendant une période de cinq (5) ans, ramenée à deux (2) ans sur la série LAGAN, à compter de la date d'achat chez IKEA, sous réserve que les défauts soient couverts et à condition que l'appareil soit disponible pour réparation sans occasionner de dépenses spéciales. Voir aussi "Rappel des dispositions légales". Les pièces remplacées deviennent la propriété de IKEA. Ces dispositions ne s'appliquent pas aux réparations effectuées sans autorisation du prestataire de services IKEA.

Que ferons-nous pour remédier au problème ?

Dans le cadre de cette garantie, le prestataire de service désigné par IKEA, examinera le produit. Si après vérification, et hormis mise en oeuvre de la garantie légale, il est reconnu que votre réclamation est couverte par la présente garantie contractuelle, il sera procédé à la réparation du produit défectueux, ou en cas d'impossibilité de réparation, à son remplacement par le même article ou par un article de qualité et de technicité comparable. Compte tenu des évolutions technologiques, l'article de remplacement de qualité équivalente peut être d'un prix inférieur au modèle acheté.

Si aucun article équivalent n'est disponible, et en cas d'impossibilité totale ou partielle de réparation reconnue par le prestataire de IKEA ou son représentant agréé, sous réserve que les conditions d'application de la garantie soient remplies, IKEA procédera au remboursement total ou partiel de l'appareil reconnu défectueux.

Le prestataire de service désigné par IKEA s'engage à tout mettre en oeuvre pour apporter une solution rapide et satisfaisante dans le cadre de cette garantie mais ni IKEA, ni le prestataire ne sauraient être tenus pour responsables des cas de forces majeurs, tels que définis par la jurisprudence, susceptibles d'empêcher l'application correcte de la garantie.

Qu'est-ce qui n'est pas couvert dans le cadre de la présente garantie ?

- L'usure normale et graduelle inhérente aux appareils électroménagers, compte tenu de la durée de vie et du comportement communément admis pour des produits semblables.
- Les dommages engageant la responsabilité d'un tiers ou résultant d'une faute intentionnelle ou dolosive.
- Les dommages résultant du non respect des consignes d'utilisation, d'une mauvaise installation non conforme aux instructions du fabricant et/ou aux règles de l'art, notamment en matière de raccordement au réseau électrique, ou aux arrivées d'eau ou de gaz qui requièrent l'intervention d'un professionnel qualifié.
- Les dommages tels que, entre autres, le vol, la chute ou le choc d'un objet, l'incendie, la décoloration à la lumière, les brûlures, l'humidité ou la chaleur sèche excessive ou toute autre condition environnementale anormale, les coupures, les éraflures, toute imprégnation par un liquide, les réactions chimiques ou électrochimiques, la rouille, la corrosion, ou un dégât des eaux résultant entre autres, d'un taux de calcaire trop élevé dans l'eau d'approvisionnement.
- Les pièces d'usure normale dites pièces consommables, comme par exemple les piles, les ampoules, les filtres, les joints, tuyaux de vidange, etc. qui nécessitent un remplacement régulier pour le fonctionnement normal de l'appareil.
- Les dommages aux éléments non fonctionnels et décoratifs qui n'affectent pas l'usage normal de l'appareil, notamment les rayures, coupures, éraflures, décoloration.
- Les dommages accidentels causés par des corps ou substances étrangers et par le nettoyage et déblocage des filtres, systèmes d'évacuation ou compartiments pour détergent.
- Les dommages causés aux pièces suivantes : verre céramique, accessoires, paniers à vaisselle et à couverts, tuyaux d'alimentation et d'évacuation, joints, lampes et protections de lampes, écrans, boutons et poignées, châssis et parties de châssis.
- Les frais de transport de l'appareil, de déplacement du réparateur et de main-d'oeuvre relatif à un dommage non garanti ou non constaté par le

- réparateur agréé.
- Les réparations effectuées par un prestataire de service et /ou un partenaire non agréés, ou en cas d'utilisation de pièces autres que des pièces d'origine, toute réparation de fortune ou provisoire restant à la charge du client qui supporterait en outre, les conséquences de l'aggravation éventuelle du dommage en résultant.
- L'utilisation en environnement non domestique, par exemple usage professionnel ou collectif, ou dans un lieu public.
- Les dommages liés au transport lorsque l'appareil est emporté par le client lui-même ou un prestataire de transport qu'il a lui-même désigné. Lorsque l'appareil est livré par IKEA, les dommages résultant du transport seront pris en charge par IKEA. Le client doit vérifier ses colis et porter IMPERATIVEMENT sur le bon de livraison des RESERVES PRECISES : indication du nombre de colis manquants et/ou endommagés, et description détaillée du dommage éventuel (emballage ouvert ou déchiré, produit détérioré ou manquant, etc.)
- Les coûts d'installation initiaux. Toutefois, si le prestataire de service ou son partenaire agréé procède à une réparation ou un remplacement d'appareil selon les termes de la présente garantie, le prestataire de service ou son partenaire agréé réinstalleront le cas échéant l'appareil réparé ou remplacé.

La garantie reste toutefois applicable aux appareils ayant fait l'objet d'une adaptation dans le respect des règles de l'art par un spécialiste qualifié avec des pièces d'origine du fabricant pour une mise en conformité de l'appareil aux spécifications techniques d'un autre pays membre de l'Union Européenne.

Rappel des dispositions légales :

Le fabricant s'engage à garantir la conformité des biens au contrat ainsi que les éventuels vices cachés, conformément aux dispositions légales figurant ci-après, sans que cela ne fasse obstacle à la mise en oeuvre de la garantie commerciale ci-dessus consentie lorsque celle-ci est plus étendue que la garantie légale.

« Garantie légale de conformité » (extrait du code de la consommation)

- Art. L. 211-4. « Le vendeur est tenu de livrer un bien conforme au contrat et répond des défauts de conformité existant lors de la délivrance. Il répond également des défauts de conformité résultant de l'emballage, des instructions de montage ou de l'installation lorsque celle-ci a été mise à sa charge par le contrat ou a été réalisée sous sa responsabilité. »
- Art. L. 211-12. « L'action résultant du défaut de conformité se prescrit par deux ans à compter de la délivrance du bien. »
- Art. L. 211-5. « Pour être conforme au contrat, le bien doit :
 - 1° Etre propre à l'usage habituellement attendu d'un bien semblable et, le cas échéant :
 - correspondre à la description donnée par le vendeur et posséder les qualités que celui-ci a présentées à l'acheteur sous forme d'échantillon ou de modèle ;
 - présenter les qualités qu'un acheteur peut légitimement attendre eu égard aux déclarations publiques faites par le vendeur, par le producteur ou par son représentant, notamment dans la publicité ou l'étiquetage ;
 - 2° Ou présenter les caractéristiques définies d'un commun accord par les parties ou être propre à tout usage spécial recherché par l'acheteur, porté à la connaissance du vendeur et que ce dernier a accepté. »

«De la garantie des défauts de la chose vendue» (extrait du code civil)

- Art. 1641. « Le vendeur est tenu de la garantie à raison des défauts cachés de la chose vendue qui la rendent impropre à l'usage auquel on la destine, ou qui diminuent tellement cet usage, que l'acheteur ne l'aurait pas acquise, ou n'en aurait donné qu'un moindre prix, s'il les avait connus. »
- Art. 1648 (1^{er} alinéa). « L'action résultant des vices rédhibitoires doit être intentée par l'acquéreur dans un délai de deux ans à compter de la découverte du vice. »

Où s'applique la présente garantie ?

Sous réserve de conformité aux spécifications techniques et réglementations applicables et propres à chaque pays le cas échéant, les garanties pourront être exercées auprès de l'organisation IKEA locale du pays où le produit est utilisé sur tout le territoire de l'Union Européenne (hors DOM et TOM). Les conditions de garantie, étendues et limites, sont celles applicables sur le marché local. Il est recommandé de se les procurer auprès de l'organisation IKEA locale.

Le Service Après-Vente applicable à vos appareils électroménagers IKEA :

N'hésitez pas à contacter le prestataire de Service Après-Vente désigné par IKEA pour :

1. requérir la mise en oeuvre du service dans le cadre de cette garantie contractuelle.
2. obtenir des conseils pour l'installation de l'appareil IKEA dans un meuble de cuisine IKEA prévu à cet effet.
3. obtenir des informations pour le bon fonctionnement de l'appareil.

Pour pouvoir vous apporter la meilleure assistance, assurez-vous d'avoir lu attentivement les instructions de montage et/ou le manuel de l'utilisateur avant de nous contacter.

Comment nous joindre pour la mise en oeuvre de la présente garantie ?



- i** Dans le but de vous fournir un service rapide, veuillez utiliser le numéro de téléphone spécifique à votre pays indiqué dans le manuel. Veuillez toujours vous reporter aux numéros énoncés dans le livret fourni spécifiquement avec l'appareil IKEA pour lequel vous avez besoin d'assistance.

Avant de nous appeler, assurez vous de disposer de la référence IKEA (code à 8 chiffres) et du numéro de service (code à 12 chiffres) que vous trouverez sur la plaque d'identification apposée sur l'appareil.

- i** **CONSERVEZ IMPERATIVEMENT L'ORIGINAL DE VOTRE TICKET DE CAISSE, FACTURE OU BON DE LIVRAISON AVEC LE LIVRET DE GARANTIE !**

Ils vous seront nécessaires comme preuve de l'achat pour vous permettre de bénéficier de la présente garantie. Vous y retrouverez notamment la désignation et la référence IKEA (code à 8 chiffres) de chaque appareil acheté.

Besoin d'aide supplémentaire?

Si vous avez des questions supplémentaires sur les conditions d'application des garanties IKEA (étendues et limites, produits couverts), adressez-vous à votre magasin IKEA le plus proche. Adresse et horaires sur le site www.IKEA.fr, dans le catalogue IKEA ou par téléphone au 0825 10 3000 (0,15 €/mn).

GARANTIE IKEA (BELGIQUE)

Quelle est la durée de validité de la garantie IKEA ?

Cette garantie est valable cinq (5) ans à compter de la date d'achat de votre appareil chez IKEA, à l'exception des appareils LAGAN qui sont garantis pour une durée de deux (2) ans. La preuve d'achat originale est requise. Les réparations, effectuées sous garantie ne prolongent pas la période de garantie de l'appareil.

Quels appareils ne sont pas couverts par cette garantie de cinq (5) ans ?

Les appareils portant le nom de LAGAN et tous les appareils achetés chez IKEA avant le 1er août 2007.

Qui effectuera la réparation ?

Le réparateur agréé IKEA se chargera de la réparation par le biais de son propre réseau ou du réseau de partenaires autorisés.

Que couvre la garantie ?

La garantie couvre les défauts de l'appareil, dus à des vices de matière ou de fabrication, à partir de la date d'achat chez IKEA.

Cette garantie ne s'applique que dans le cas d'un usage domestique. Les exceptions sont spécifiées à la rubrique "Qu'est-ce qui n'est pas couvert par cette garantie ?" Pendant la période de garantie, les coûts engagés pour remédier au problème, par exemple les réparations, les pièces, la main-d'œuvre et les déplacements sont pris en charge à condition que l'appareil soit accessible à des fins de réparation sans dépenses particulières. La directive UE (N° 99/44/CE) et les réglementations locales respectives s'appliquent à ces conditions. Les pièces remplacées deviendront propriété d'IKEA.

Que fera IKEA pour régler le problème ?

Le réparateur désigné par IKEA examinera le produit et décidera, à sa seule discrétion,

s'il est couvert par cette garantie. Si le réparateur estime que le produit est couvert, celui-ci, ou un partenaire autorisé, soit réparera le produit défectueux, soit le remplacera par un produit identique ou comparable, à sa seule discrétion.

Qu'est-ce qui n'est pas couvert par cette garantie ?

- L'usure normale.
- Les dommages occasionnés sciemment ou par négligence, les dommages résultant du non-respect des instructions d'utilisation, d'une installation inadéquate ou d'une alimentation électrique inadéquate, les dommages causés par des réactions chimiques ou électrochimiques, la rouille, la corrosion ou un dégât des eaux, y compris, notamment, les dommages causés par un excès de calcaire dans l'eau, les dommages causés par des conditions environnementales anormales.
- Les consommables, y compris les ampoules et les piles.
- Les éléments non fonctionnels et décoratifs qui n'affectent pas l'usage normal de l'appareil, y compris les griffes et les éventuelles différences de couleur.
- Les dommages accidentels causés par des corps étrangers ou des substances, et le nettoyage et le débouchage des filtres, les systèmes de vidange ou les compartiments à savon.
- Les dommages occasionnés aux éléments suivants : vitrocéramique, accessoires, paniers à vaisselle et à couverts, tuyaux d'alimentation et de vidange, joints, ampoules et diffuseurs, écrans, boutons, revêtements et parties de revêtements, sauf s'il est prouvé que ces dommages sont dus à des vices de fabrication.

- Les cas où aucun défaut n'est constaté par le technicien.
- Les réparations qui ne sont pas effectuées par nos réparateurs désignés et/ou un partenaire contractuel autorisé ou lorsque des pièces qui ne sont pas d'origine ont été utilisées.
- Les réparations consécutives à une installation inadéquate ou pas conforme aux spécifications.
- L'utilisation de l'appareil dans un environnement non domestique, (p.ex. professionnel).
- Les dommages occasionnés par ou durant le transport. Si un client transporte personnellement le produit jusqu'à son domicile ou une autre adresse, IKEA décline toute responsabilité en cas de dommages pendant le transport. Si IKEA livre le produit à l'adresse de livraison indiquée par le client, tout éventuel dommage se produisant en cours de livraison sera couvert par IKEA.
- Les frais liés à l'installation initiale de l'appareil IKEA.

Si un prestataire de service IKEA ou un partenaire contractuel autorisé répare ou remplace l'appareil conformément à la présente garantie, le prestataire de services ou le partenaire agréé autorisé réinstallera l'appareil réparé ou installera l'appareil de remplacement, le cas échéant.

Ces restrictions ne s'appliquent pas aux interventions correctes d'un spécialiste qualifié utilisant nos pièces d'origine afin d'adapter l'appareil aux spécifications techniques de sécurité d'un autre pays européen.

Loi nationale applicable

La garantie IKEA vous donne des droits légaux spécifiques, qui couvrent ou dépassent toutes les exigences légales locales.

Cependant, ces conditions ne limitent en aucun cas les droits des consommateurs décrits dans la législation locale.

Zone de validité

Pour les appareils achetés dans un pays européen et transportés dans un autre pays européen, les interventions seront effectuées dans le cadre des conditions de garantie normales dans le nouveau pays.

L'obligation de réparation dans le cadre de la garantie n'est effective que si l'appareil est conforme et installé conformément aux :

- spécifications techniques du pays dans lequel la demande d'intervention sous garantie est introduite ;
- instructions de montage et aux informations relatives aux consignes de sécurité figurant dans le manuel d'utilisation.

Service Après-vente exclusif pour appareils IKEA

N'hésitez pas à contacter un service Après-vente agréé IKEA pour :

- Faire une demande d'intervention sous garantie.
- Demander des précisions au sujet de l'installation des appareils IKEA dans les meubles de cuisine IKEA.
- Demander des précisions au sujet des fonctions des appareils IKEA.

Afin de vous garantir la meilleure assistance possible, nous vous prions de lire attentivement les instructions d'assemblage et le mode d'emploi avant de nous contacter.

Comment nous joindre en cas de besoin



Consultez la dernière page de ce manuel pour la liste complète des services Après-vente agréés IKEA avec leur numéro de téléphone respectifs.

i Afin de mieux vous servir, nous vous conseillons d'utiliser les numéros de téléphone spécifiques repris dans le mode d'emploi. Sur base des numéros repris dans le livret, mentionnez toujours les références de l'appareil pour lequel vous demandez assistance. Ayez toujours à disposition le numéro d'article IKEA (il s'agit d'un numéro composé de 8 chiffres) ainsi que le code service composé de 12 chiffres que vous trouverez sur la plaque signalétique de votre appareil.

i CONSERVEZ VOTRE PREUVE D'ACHAT !

La preuve de votre achat est nécessaire pour l'application de la garantie.

Le nom et le numéro d'article (code à 8 chiffres) IKEA de chaque appareil acheté figurent également sur la preuve d'achat.

Besoin d'une assistance supplémentaire ?

Pour toute autre questions en dehors du service après-vente de vos appareils, contactez le call center de votre magasin IKEA. Nous vous recommandons de lire attentivement toute la documentation fournie avec l'appareil avant de nous contacter.

Sommario

Istruzioni per la sicurezza	43	Cosa fare se...	49
Descrizione dell'apparecchio	46	Dati tecnici	50
Pannello comandi	46	Consigli per la salvaguardia dell'ambiente	51
Pulizia e manutenzione	47	GARANZIA IKEA	51

Istruzioni per la sicurezza

Prima del primo utilizzo

La sicurezza dell'utente e delle altre persone è molto importante.


Rimuovere protezioni di cartone, pellicole protettive ed etichette adesive dagli accessori.

Controllare che l'apparecchio non presenti danni da trasporto.


Per non danneggiare l'apparecchio, non collocare pesi sopra di esso.


Evitare l'esposizione dell'apparecchio agli agenti atmosferici.

Il presente manuale e l'apparecchio stesso sono corredati da importanti messaggi relativi alla sicurezza, da leggere ed osservare sempre.

 Questo è il simbolo di pericolo, relativo alla sicurezza, il quale avverte dei potenziali rischi per l'utilizzatore e per gli altri.

Tutti i messaggi relativi alla sicurezza saranno preceduti dal simbolo di pericolo e dai seguenti termini:

 **PERICOLO:** indica una situazione pericolosa che, se non evitata, provoca lesioni gravi.

 **AVVERTENZA:** indica una situazione pericolosa che, se non evitata, potrebbe provocare lesioni gravi.

Tutte le avvertenze di sicurezza forniscono dettagli specifici del possibile pericolo presente oltre che indicazioni su come ridurre il rischio di lesioni, danni e scossa elettrica conseguenti ad un uso non appropriato dell'apparecchio. Osservare attentamente le istruzioni seguenti.

Precauzioni e suggerimenti generali

- L'installazione e il collegamento elettrico devono essere effettuati da un tecnico qualificato secondo le istruzioni del produttore ed in conformità alle norme locali sulla sicurezza. Non riparare o sostituire qualsiasi parte dell'apparecchio se non specificatamente raccomandato nel manuale d'uso.
- L'apparecchio deve essere scollegato dalla rete elettrica prima di effettuare qualunque intervento d'installazione.
- La messa a terra dell'apparecchio è obbligatoria. (Richiesta solo per la classe I)
- Il cavo di alimentazione deve essere sufficientemente lungo per collegare l'apparecchio, una volta montato nel relativo mobile, alla presa elettrica.
- Non tirare il cavo di alimentazione dell'apparecchio per staccarlo dalla presa di corrente.
- Una volta terminata l'installazione, i componenti elettrici non dovranno essere accessibili dall'utilizzatore.
- Non toccare l'apparecchio con parti del corpo umide e non utilizzarlo a piedi nudi.
- L'apparecchio non è destinato all'utilizzo da parte di persone (inclusi bambini) con ridotte capacità fisiche, sensoriali o mentali e con mancata esperienza e conoscenza a meno che essi non siano sotto la supervisione o guidati nell'uso dell'apparecchiatura da una persona responsabile per la loro sicurezza.

- Non riparare o sostituire qualsiasi parte dell'apparecchio se non specificamente raccomandato nel manuale. Tutti gli altri servizi di manutenzione devono essere eseguiti da un tecnico specializzato.
- I bambini devono essere sorvegliati per sincerarsi che non giochino con l'apparecchio.
- Quando si fora la parete, fare attenzione a non danneggiare i collegamenti elettrici e/o tubature.
- Le aperture di ventilazione devono essere sempre scaricate all'aperto.
- Il fabbricante declina ogni responsabilità per qualsiasi danno causato da un uso improprio o da impostazioni errate.
- Una manutenzione e una pulizia adeguate assicurano la buona riuscita del lavoro e le migliori prestazioni dell'apparecchio. Pulire regolarmente tutto lo sporco ostinato sulla superficie per evitare accumuli di grasso. Rimuovere e pulire o cambiare regolarmente il filtro.
- Non cucinare cibo alla fiamma ("flambé") sotto l'apparecchio. L'uso di fiamme libere potrebbe causare un incendio.
- L'inosservanza delle istruzioni per la pulizia della cappa e per la sostituzione e pulizia dei filtri comporta rischi di incendi.
- L'aria di scarico non deve essere scaricata in un condotto utilizzato per evacuare i fumi prodotti da apparecchi a combustione di gas o di altri combustibili, ma deve avere l'uscita indipendente. • Devono essere rispettate tutte le normative nazionali relative allo scarico dell'aria.
- Deve essere presente una ventilazione adeguata se la cappa è utilizzata insieme ad altri apparecchi che impiegano gas o altri combustibili. La pressione negativa del locale non deve essere superiore a 4 Pa (4×10^{-5} bar).


Per questo motivo, assicurarsi che il locale sia ben areggiato.

- Non lasciare padelle sul fuoco senza sorveglianza durante la frittura di alimenti, in quanto l'olio usato per la frittura potrebbe infiammarsi.
- Prima di toccare le lampadine sincerarsi che siano fredde.
- Non utilizzare o lasciare la cappa priva della lampadina correttamente montata, poiché questo può causare una scossa elettrica.
- La cappa non è un piano di appoggio, perciò non appoggiarvi oggetti né sovraccaricarla.
- Per tutte le operazioni di installazione e manutenzione utilizzare guanti da lavoro adeguati.
- L'apparecchio non è idoneo all'utilizzo in esterno.
- Quando il piano cottura è in funzione le parti accessibili della cappa possono diventare calde.

Installazione e collegamento

Dopo avere disimballato l'apparecchio, controllare che l'apparecchio non presenti danni da trasporto. In caso di problemi, contattare il Servizio Assistenza. Per prevenire eventuali danni, si consiglia di rimuovere l'apparecchio dall'imballaggio in polistirolo soltanto prima dell'installazione.

Preparazione per l'installazione

 **AVVERTENZA:** questo apparecchio è pesante; la cappa deve essere sollevata e installata solo da due o più persone.

Prima dell'installazione controllare anche le distanze minime indicate nel manuale del piano di cottura.

Se nelle istruzioni di installazione del piano di cottura è specificata una distanza maggiore, occorre rispettare questa distanza.

Collegamenti elettrici

Controllare che la tensione indicata sulla targhetta del prodotto sia la stessa della rete elettrica.

Queste informazioni sono indicate all'interno della cappa, sotto il filtro antigrasso.

Il cavo di alimentazione (tipo H05 VV-F) deve essere sostituito soltanto da un elettricista autorizzato. Contattare un Centro Assistenza autorizzato.

Se la cappa è provvista di spina, collegare l'apparecchio ad una presa conforme alle norme vigenti, posta in zona accessibile. Se non è provvista di spina (cablaggio diretto alla rete elettrica), o se la presa non è in una zona accessibile, installare un interruttore bipolare normalizzato che permetta un isolamento completo dalla rete in caso di sovratensione di categoria III, in conformità alle norme di cablaggio.

Utilizzo

La cappa è progettata per essere utilizzata in "Versione aspirante" o in "Versione a ricircolo d'aria".

Versione aspirante (vedere il simbolo)



nelle istruzioni per l'installazione)

Il vapore di cottura viene aspirato e convogliato al di fuori dell'abitazione attraverso un tubo di scarico (non in dotazione), collegato all'uscita del vapore della cappa.

Assicurarsi che il tubo di scarico sia montato correttamente nell'uscita dell'aria con un sistema di collegamento idoneo.

Importante: se già installato/i, rimuovere il/i filtro/i al carbone.

Versione a ricircolo d'aria (vedere il simbolo)



nelle istruzioni per l'installazione)

L'aria viene filtrata attraverso uno o più filtri e poi convogliata nuovamente nel locale.

Importante: assicurarsi che vi sia una corretta circolazione dell'aria attorno alla cappa.

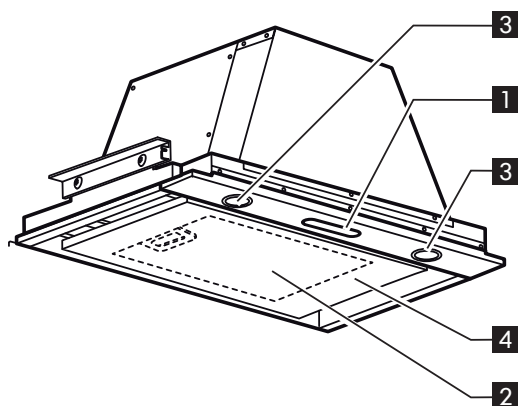
Importante: se la cappa non ha in dotazione i filtri al carbone, devono essere ordinati e montati prima dell'uso dell'apparecchio.

La cappa deve essere installata lontano da aree particolarmente sporche, finestre, porte e fonti di calore.

La cappa è venduta con tutti i componenti necessari per l'installazione sulla maggior parte delle pareti o soffitti. Chiedere comunque a un tecnico qualificato di controllare se i componenti in dotazione sono idonei al tipo di parete/soffitto nella propria abitazione.

Conservare queste istruzioni per future consultazioni.

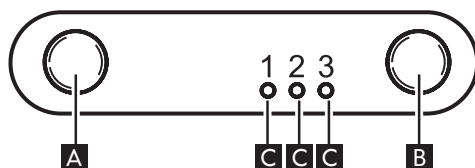
Descrizione dell'apparecchio



- 1 Pannello comandi.
- 2 Filtro antigrasso (sopra al filtro del pannello di aspirazione perimetrale)
- 3 Lampade alogene
- 4 Pannello aspirazione perimetrale

Pannello comandi

- A** Tasto luce ON/OFF
Premere brevemente per accendere e spegnere le luci.
Mantenere premuto per regolare l'intensità delle luci.
- B** Tasto motore ON/OFF e selezione velocità (potenza di aspirazione)
Nota: Tenere premuto il pulsante per 2 secondi per impostare la cappa su OFF
- C** LED velocità selezionata



Pulizia e manutenzione

⚠ ATTENZIONE - Usare guanti protettivi.
- Scollegare l'apparecchio dalla rete elettrica.

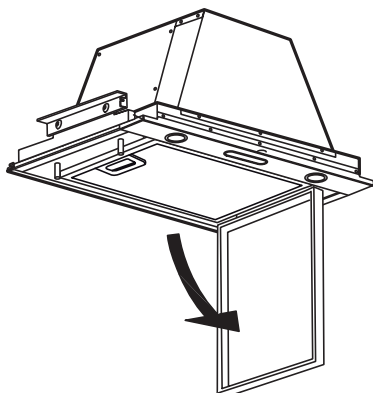
Pannello aspirazione perimetrale

Il pannello di aspirazione deve essere pulito con la stessa frequenza del filtro antigrasso. Usare un panno umido e un detergente liquido non troppo concentrato. Non utilizzare prodotti contenenti abrasivi. **NON USARE ALCOOL**

Il pannello normalmente copre i filtri antigrasso, pertanto deve essere aperto ogni volta che si deve accedere ai filtri antigrasso e all'interno della cappa (per esempio per sostituire i filtri al carbone).
Apertura: tirare il pannello (LATO SINISTRO) verso il basso.

Chiusura: i pannelli devono essere fissati agli appositi perni sulla superficie della cappa.

AVVERTENZA: controllare sempre che il pannello sia montato correttamente.

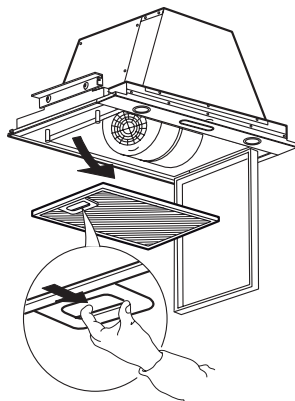


Per lavare il filtro antigrasso

Il filtro intrappola le particelle di grasso di cottura.

Il filtro metallico antigrasso ha una durata illimitata. Dovrebbe essere lavato almeno una volta al mese, a mano o in lavastoviglie

(usare un programma breve e a bassa temperatura).

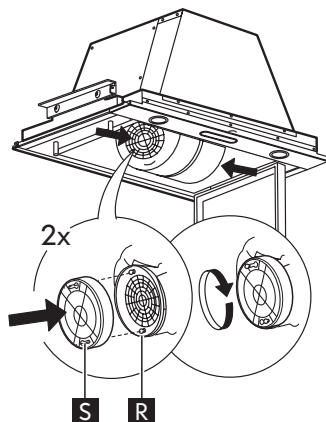
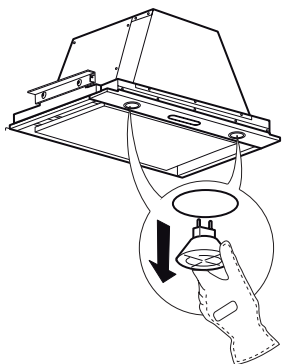


Se lavato in lavastoviglie, la superficie del filtro può diventare opaca. Ciò non pregiudica le prestazioni del forno. Per rimuovere il filtro tirare l'impugnatura verso l'esterno. Dopo aver lavato e asciugato il filtro, rimontarlo seguendo la procedura inversa.

Sostituzione delle lampade alogene

⚠ AVVERTENZA - Usare soltanto lampade alogene da 12V 20W 30° Ø35 12V GU4.

1. Scollegare la cappa dalla rete elettrica domestica.
2. Usare un cacciavite piccolo per rimuovere la lampada spingendo verso l'alto i bordi.
3. Rimuovere la lampada difettosa e sostituirla con una nuova.



Manutenzione del filtro al carbone

Il filtro al carbone intrappola i cattivi odori di cottura.

Sostituire il filtro al carbone ogni 4 mesi.

Montaggio o sostituzione del filtro al carbone

1. Scollegare la cappa dalla rete elettrica domestica.
2. Togliere i filtri antigrasso.
3. Montare i filtri a copertura del motore. Controllare che i perni **R** sul convogliatore corrispondano ai fori **S**.

Ruotare i filtri per bloccarli nei perni.

Per rimontare i filtri seguire la procedura inversa.

Sostituire i filtri antigrasso.

Cosa fare se...

Problema	Possibile causa	Soluzione
L'apparecchio non funziona	Mancanza di alimentazione elettrica	Verificare la presenza di alimentazione elettrica. Spegnerlo e riavviare l'apparecchio per verificare se l'anomalia persiste.
	L'apparecchio non è collegato alla presa di alimentazione elettrica.	Controllare se l'apparecchio è collegato all'alimentazione elettrica. Spegnerlo e riavviare l'apparecchio per verificare se l'anomalia persiste.
Il livello di aspirazione della cappa non è sufficiente	La velocità di aspirazione è troppo bassa	Controllare la velocità di aspirazione e, se necessario, regolarla.
	I filtri sono sporchi	Controllare se i filtri sono puliti. Se non lo sono, lavarli in lavastoviglie.
	Le aperture di aspirazione dell'aria sono ostruite	Controllare se le aperture di aspirazione dell'aria sono prive di ostruzioni e, se presenti, rimuoverle.
La lampadina non funziona	La lampadina è rotta	Controllare la lampadina e, se necessario, sostituirla.
	La lampadina non è montata correttamente	Verificare se la lampadina è montata correttamente. Se non lo è, montarla correttamente.

Prima di rivolgersi al Servizio Assistenza:

riavviare l'apparecchio per accertarsi che l'inconveniente sia stato ovviato. In caso contrario, spegnerlo nuovamente e ripetere l'operazione dopo un'ora.

Se, dopo aver eseguito i controlli elencati nella guida ricerca guasti e riaccesso l'apparecchio, l'apparecchio continua a non funzionare correttamente, contattare il Servizio Assistenza, illustrando chiaramente il problema e comunicando:

- il tipo di difetto;

- il modello;
- il tipo e il numero di serie dell'apparecchio (riportati sulla targhetta);
- il codice di assistenza (la cifra che si trova dopo la parola SERVICE, sulla targhetta posta all'interno dell'apparecchio),

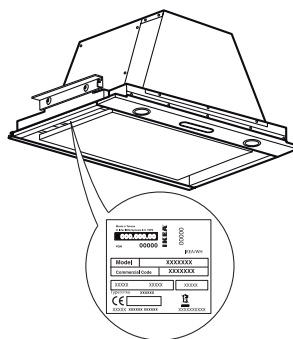
SERVICE 0000 000 00000



Dati tecnici


Dimensioni - Interne (mm)	Larghezza	561
	Altezza	358
	Profondità	354
Portata d'aria max. - Aspirazione (m ³ /h)		573
Rumorosità max. - Aspirazione (dBa)		65
Portata d'aria max. - Ricircolo (m ³ /h)		369
Rumorosità max. - Ricircolo (dBa)		67
Potenza totale (W)		220
Lampadine		2x 20W
Altezza minima di installazione (cm)	cucine a gas o miste	65
	cucine elettriche	50

I dati tecnici sono riportati nella targhetta posta all'interno dell'apparecchio e nell'etichetta energetica.



Consigli per la salvaguardia dell'ambiente

Il materiale di imballaggio


È riciclabile al 100% ed è contrassegnato dal simbolo di riciclaggio . Le diverse parti dell'imballaggio non devono quindi essere disperse nell'ambiente, ma smaltite in conformità alle norme stabilite dalle autorità locali.

Rottamazione dell'apparecchio

- Questo apparecchio è contrassegnato in conformità alla Direttiva Europea 2002/96/CE, Waste Electrical and Electronic Equipment (WEEE).

- Smaltendo questo prodotto in modo corretto si contribuirà a prevenire potenziali danni all'ambiente e alla salute.



Il simbolo  sul prodotto o sulla documentazione di accompagnamento, indica che questo prodotto non deve essere trattato come rifiuto domestico ma deve essere consegnato presso l'idoneo punto di raccolta per il riciclaggio di apparecchiature elettriche ed elettroniche.

Smaltimento elettrodomestici

• Questo prodotto è stato fabbricato con materiale riciclabile o riutilizzabile. Rottamarlo seguendo le normative locali per lo smaltimento dei rifiuti. Prima della

rottamazione, renderlo inutilizzabile tagliando il cavo di alimentazione.

• Per ulteriori informazioni sul trattamento, recupero e riciclaggio di elettrodomestici, contattare l'ufficio locale competente, il servizio di raccolta dei rifiuti domestici o il negozio presso il quale il prodotto è stato acquistato.

Dichiarazione di conformità

• Questo apparecchio è stato progettato in conformità al Regolamento (CE) n. 1935/2004.



• Questo apparecchio è stato progettato, fabbricato e commercializzato in conformità a:

- gli obiettivi di sicurezza della Direttiva "Bassa Tensione" 2006/95/CE (che sostituisce la 73/23/CEE e successivi emendamenti);
- i requisiti di protezione della Direttiva "EMC" 2004/108/CE.

La sicurezza elettrica è garantita soltanto quando l'apparecchio è correttamente collegato ad un impianto di messa a terra a norma di legge.

GARANZIA IKEA

Quanto dura la garanzia IKEA?

Questa garanzia è valida per 5 (cinque) anni a partire dalla data di acquisto/ consegna del tuo elettrodomestico presso un negozio IKEA, salvo che l'elettrodomestico appartenga alla gamma LAGAN, nel qual caso la garanzia è di 2 (due) anni. È necessario esibire lo scontrino originale come documento comprovante l'acquisto. Eventuali interventi di assistenza effettuati durante la garanzia non ne estenderanno la validità.

Elettrodomestici non coperti dalla garanzia IKEA di 5 (cinque) anni

La garanzia di 5 (cinque) anni è valida per tutti gli elettrodomestici "IKEA" acquistati a partire dal 1° Agosto 2007 eccetto che per la gamma di prodotti LAGAN di "IKEA".

Chi fornisce il servizio?

Il servizio assistenza selezionato ed autorizzato da IKEA fornirà il servizio attraverso la propria rete di Partner di Assistenza autorizzati.

Cosa copre questa garanzia?

La garanzia copre i difetti dell'elettrodomestico causati da vizi di fabbricazione (difetto funzionale), a partire dalla data di acquisto/consegna dell'elettrodomestico. Questa garanzia è applicabile solo all'uso domestico. Le eccezioni sono descritte alla voce "Cosa non è coperto dalla garanzia?". Nel periodo di validità della garanzia, i costi di riparazione (pezzi di ricambio, manodopera e viaggi del personale tecnico) saranno sostenuti dal servizio assistenza, fermo restando che l'accesso all'apparecchiatura per l'intervento di riparazione non comporti spese particolari.

Queste condizioni sono conformi alle direttive EU (No. 99/44/CE) e alle norme locali.

I componenti sostituiti diventano proprietà di IKEA.

Come IKEA interverrà per risolvere il problema?

Il servizio assistenza incaricato da IKEA per l'esecuzione del servizio esaminerà il prodotto e deciderà, a propria esclusiva discrezione, se lo stesso rientra nella copertura della garanzia. Il Servizio Assistenza IKEA o il suo Partner di Assistenza autorizzato tramite i rispettivi Centri di Assistenza, a propria esclusiva discrezione, riparerà il prodotto difettoso o provvederà a sostituirlo con un prodotto uguale o di pari valore.

Cosa non è coperto dalla garanzia?

- Normale usura
- Danni provocati deliberatamente, danni provocati dalla mancata osservanza delle istruzioni di funzionamento, da un'installazione non corretta o in seguito a collegamento a un voltaggio errato. Danni provocati da reazioni chimiche o elettrochimiche, ruggine, corrosione o danni causati da acqua, inclusi i danni causati dalla presenza di eccessivo calcare nelle condutture idriche. Danni causati da eventi atmosferici e naturali.
- Le parti soggette a consumo, incluse batterie e lampadine.
- Danni a parti non funzionali e decorative che non influiscono sul normale uso dell'elettrodomestico, inclusi graffi e differenze di colore.
- Danni accidentali causati da corpi o sostanze estranee e danni causati da pulizia o eliminazione di ostruzioni da filtri, sistemi di scarico o cassette del detersivo.
- Danni ai seguenti componenti: vetroceramica, accessori, cestelli per posate e stoviglie, tubi di alimentazione e drenaggio, guarnizioni, lampadine e copri lampadine, griglie, manopole, rivestimento e parti del rivestimento. A meno che si possa provare che tali danni siano stati causati da errori di fabbricazione.
- Casi in cui non vengono rilevati difetti funzionali durante la visita di un tecnico.
- Riparazioni non eseguite dal nostro Servizio Assistenza autorizzato e/o da un Partner di Assistenza contrattuale autorizzato o in caso di uso di ricambi non originali.
- Riparazioni causate da un'installazione non corretta o non conforme alle specifiche.
- Casi di uso improprio e/o non domestico dell'apparecchio, ad es. uso professionale.
- Danni da trasporto. Qualora sia il cliente a trasportare il prodotto alla propria abitazione o ad altro indirizzo, IKEA non è responsabile per eventuali danni che potrebbero verificarsi durante il trasporto. In compenso, qualora sia IKEA ad effettuare il trasporto del prodotto all'indirizzo del cliente, eventuali danni occorsi al prodotto durante la consegna saranno coperti da IKEA.
- Costi inerenti la prima installazione dell'elettrodomestico IKEA. Tuttavia, qualora un fornitore di servizi

IKEA o un suo partner autorizzato ripari o sostituisca l'apparecchio nei termini della presente garanzia, il fornitore o il partner autorizzato reinstalleranno l'apparecchio riparato o installeranno l'apparecchio in sostituzione, se necessario.

Tali restrizioni non valgono per regolari interventi svolti da personale tecnico qualificato con ricambi originali per adattare l'apparecchio alle disposizioni tecniche di sicurezza di un altro paese UE.

Applicazione delle leggi nazionali

Il cliente è titolare dei diritti previsti dal D. Lgs. n. 206/2005 e la presente garanzia IKEA di 5 (cinque) anni lascia impregiudicati tali diritti che rispondono o estendono i diritti minimi legali di ogni paese in termini di garanzia.

Tali condizioni non limitano tuttavia in alcun modo i diritti del consumatore definiti dalle leggi locali.

Area di validità

Per gli elettrodomestici acquistati in una nazione EU e portati in un'altra nazione EU, i servizi saranno forniti in base alle condizioni di garanzia applicabili nel nuovo paese. L'obbligo di fornire il servizio in base alle condizioni della garanzia esiste solo se l'elettrodomestico è conforme ed è installato secondo:

- le specifiche tecniche del paese in cui viene richiesta l'applicazione della garanzia;
- le informazioni sulla sicurezza contenute nelle Istruzioni per il montaggio e nel Manuale dell'utente.

Il servizio ASSISTENZA dedicato per gli apparecchi IKEA

Non esitate a contattare il Servizio di Assistenza Tecnica post-vendita incaricato da IKEA per:

- richiedere assistenza tecnica nel periodo di garanzia
- richiedere chiarimenti sull'installazione

degli elettrodomestici IKEA installati nelle cucine IKEA

- richiedere informazioni sul funzionamento degli elettrodomestici IKEA.

Per assicurarvi la migliore assistenza vi preghiamo di leggere attentamente le istruzioni di assemblaggio e/o il manuale di istruzioni del prodotto prima di contattarci.

Come contattarci se avete bisogno di assistenza



Siete pregati di contattare il numero del Servizio di Assistenza Tecnica post vendita incaricato da IKEA riportato sull'ultima pagina di questo manuale.

i Al fine di garantirvi un servizio più veloce, vi suggeriamo di utilizzare i numeri di telefono riportati in questo manuale. Fate sempre riferimento ai numeri indicati nel manuale dell'apparecchiatura per la quale avete bisogno di assistenza. Vi suggeriamo di avere sempre a disposizione il codice IKEA (8 cifre) e il codice a 12 cifre riportati nell'etichetta del vostro prodotto.

i CONSERVATE IL DOCUMENTO DI ACQUISTO/CONSEGNA!

È la prova del vostro acquisto ed è necessario esibirlo affinché la garanzia sia valida. Sullo scontrino sono riportati anche il nome e il codice articolo IKEA (8 cifre) per ogni apparecchiatura acquistata.

Avete bisogno di ulteriore aiuto?

Per qualunque informazione non relativa all'assistenza vi preghiamo di far riferimento al Servizio Cliente del punto vendita IKEA di riferimento. Vi preghiamo di leggere attentamente la documentazione tecnica relativa all'elettrodomestico prima di contattarci.



BELGIË - BELGIQUE - BELGIEN

Telefoon/Numéro de téléphone/Telefon-Nummer: 026200311
Tarief/Tarif/Tarif: Lokaal tarief/Prix d'un appel local/Ortstarif
Openingstijd: Maandag - Vrijdag 8.00 - 20.00
Heures d'ouverture: Lundi - Vendredi 8.00 - 20.00
Öffnungszeiten: Montag - Freitag 8.00 - 20.00

ČESKÁ REPUBLIKA

Telefonní číslo: 225376400
Sazba: Místní sazba
Pracovní doba: Pondělí - Pátek 8.00 - 20.00

DANMARK

Telefonnummer: 70150909
Takst: Lokal takst
Åbningstid: Mandag - fredag 9.00 - 21.00
Lørdag 9.00 - 18.00
(Åbent udvalgte søndage, se IKEA.dk)

DEUTSCHLAND

Telefon-Nummer: 06929993602
Tarif: Ortstarif
Öffnungszeiten: Montag - Freitag 8.00 - 20.00

ΕΛΛΑΔΑ

Τηλεφωνικός αριθμός: 2109696497
Χρέωση: Τοπική χρέωση
Ώρες λειτουργίας: Δευτέρα - Παρασκευή 8.00 - 20.00

ESPAÑA

Teléfono: 913754126
Tarifa: Tarifa local
Horario: Lunes - Viernes 8.00 - 20.00
(España Continental)

FRANCE

Numéro de téléphone: 0170480513
Tarif: Prix d'un appel local
Heures d'ouverture: Lundi - Vendredi 9.00 - 21.00

ÍSLAND

Símanúmer: 5852409
Kostnaður við símtal: Almennt mínútuverð
Opnunartími: Mánudaga - Föstudaga 9.00 - 17.00

ITALIA

Telefono: 0238591334
Tariffa: Tariffa locale
Orari d'apertura: Lunedì - Venerdì 8.00 - 20.00

MAGYARORSZÁG

Telefon szám: (06-1)-3285308
Tarifa: Helyi tarifa
Nyitvatartási idő: Héftőlő Péntekig 8.00 - 20.00

NEDERLAND

Telefoon: 09002354532
en/of 0900 BEL IKEA
Lokaal tarief € 0,10 p/min
Tarief: Maandag t/m - Vrijdag 9.00 - 21.00
Zaterdag 9.00 - 20.00
Zondag 9.00 - 18.00

NORGE

Telefon nummer: 23500112
Takst: Lokal takst
Åpningstider: Mandag - fredag 8.00 - 20.00
ÖSTERREICH
Telefon-Nummer: 013602771461
Tarif: Ortstarif
Öffnungszeiten: Montag - Freitag 8.00 - 20.00

POLSKA

Numer telefonu: 225844203
Stawka: Koszt połączenia według taryfy operatora
Godziny otwarcia: Poniedziałek - Piątek 8.00-20.00

PORTUGAL

Telefone: 213164011
Tarifa: Tarifa local
Horário: Segunda - Sexta 9.00 - 21.00

REPUBLIC OF IRELAND

Phone number: 016590276
Rate: Local rate
Opening hours: Monday - Friday 8.00 - 20.00

РОССИЯ

Телефонный номер: 84957059426
Стоимость звонка: Местная стоимость звонка
Время работы: Понедельник - Пятница 8.00 - 20.00
(Московское время)

SCHWEIZ - SUISSE - SVIZZERA

Telefon-Nummer/Numéro de téléphone/Telefono: 0225675345
Tarif/Tarif/Tariffa: Ortstarif/Prix d'un appel local/Tariffa locale
Öffnungszeiten: Montag - Freitag 8.00 - 20.00
Heures d'ouverture: Lundi - Vendredi 8.00 - 20.00
Orario d'apertura: Lunedì - Venerdì 8.00 - 20.00

SLOVENSKO

Telefónne číslo: (02) 50102658
Cena za hovor: Cena za miestny hovor
Pracovná doba: Pondelok až piatok 8.00 - 20.00

SUOMI

Puhelinnumero: 0981710374
Hinta: Yksikköhinta
Aukioloaika: Maanantaista perjantaihin 8.00 - 20.00

SVERIGE

Telefon nummer: 0775-700 500
Taxa: Lokal samtal
Öppet tider: Måndag - Fredag 8.30 - 20.00
Lördag - Söndag 9.30 - 18.00

UNITED KINGDOM

Phone number: 02076601517
Rate: Local rate
Opening hours: Monday - Friday 9.00 - 21.00

