

# The PIXAPRO® LED 1024 Series Video Light

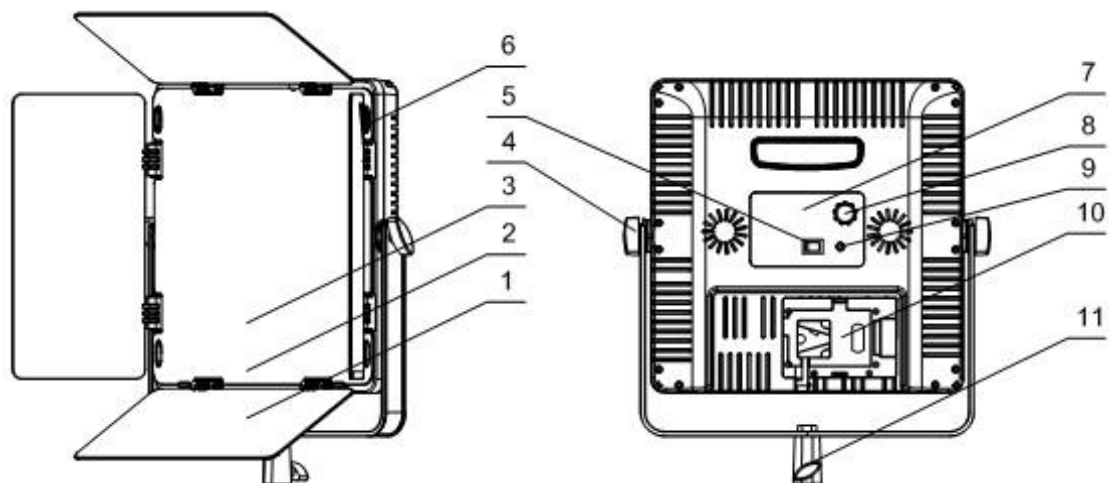
## Instruction Manual

The Bi-Color Temperature PIXAPRO® LED 1024B light panel uses the latest in **high-power LED** technology, and is suitable for both Video production and Stills photography. High-power LED lights consume less energy than traditional incandescent lights, and are more energy efficient resulting in greater light output and far less heat emissions. This makes your shooting environment more comfortable for your subjects

### Specifications:

Model	PIXAPRO® LED 1024B Video Light Panel
No of LEDs	1024pc / $\phi 5$ LED
Output (W)	60W
Power Adapter	Input: AC100-240V~50/60Hz Output: DC15V/4A
DC Voltage	14.8V
Luminous Flux	6500Lm
Angle of coverage	45°
Color Rendering Index	>85%
Power Range	0-100%
Color Temperature	3200K-5500K
Built-in Remote Control Receiver	Built-in 2.4GHz Radio Remote Receiver
Digital Display	Yes
Battery Plate	Sony V-Mount Lock
Dimensions	386×78×425mm
Weight	2.3Kg
Accessories	Soft Filter

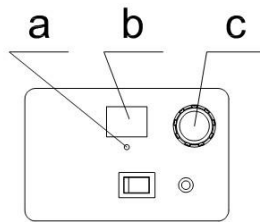
### 2. Diagram:



- |                      |                  |                          |                        |
|----------------------|------------------|--------------------------|------------------------|
| 1. Barn Doors        | 2. Filter Slot   | 3. LED Main Board        | 4. Adjustment Screw    |
| 5. Power Switch      | 6. Filter Clip   | 7. Control Panel         | 8. Dimmer Control Dial |
| 9. Power Cord Socket | 10. Battery Lock | 11. Lighting Stand Mount |                        |

### 3. Control Panel:

#### PIXAPRO® LED 1024B



- a. LED switching instruction
- b. Digital display
- c. Dimmer & function Dial

### 4. How to Use:

1) Mount the PIXAPRO® LED 1024B light panel onto a lighting stand and secure using the locking screw (11). Once your PIXAPRO® LED 1024B light panel has been mounted onto your lighting stand. Open the barn doors to the required angle (1).

If using AC: Plug the power cord into the power socket (9).

If using DC: Verify that the lithium battery is firmly attached (10).

2) Install the soft filter or color filter if required:

First slide the filter into the filter slot (2) then fasten the filter clip to hold the filter in place (6).

3) Switch the power on (5), and adjust the brightness by turning the dimmer control dial (8).

4) To adjust the angle of your light, first loosen the adjustment screw located at the side of the unit, and adjust the angle of your light to whichever angle you desire, and tighten the screw again to hold your light in place.

5) To control the Bi-color temperature LEDs, you can adjust both color temperature and brightness by turning and clicking the dimmer control dial (8) (click the dial to switch between the two color temperatures)

6) Turn on the PIXAPRO® LED 1024B light panel, the Group and the Channel information is immediately displayed.

If using the Optional Radio Remote Control (Sold separately):

Please set the groups and channels each lamp with unit number first (According to the remote control Manual).

Please change settings the numbers by using the dimmer control dial (8) when Numbers on the display are flashing.

Please Interchange 3200K & 5500K by pressing the dimmer control dial in (8) when Numbers on the display are flashing.

### 5. Box Content:

- |                      |                    |
|----------------------|--------------------|
| Power Adapter        | Color Filters      |
| Specifications Sheet | Instruction Manual |

## **6. Warning!**

1. If using AC power, ensure that voltage is within specified range (100-240V).
2. Do not place in direct sunlight. Keep unit away from dust, moisture and humidity.
3. Do not allow the unit to come in contact with chemical solvents, gasoline, paint or pesticides.
4. Do not insert any metal objects into the LED Panel housing.
5. Do not touch the power cord with wet hands.
6. When removing the power cord from the power outlet be sure to pull by the plug, not the cord.
7. Avoid prolonged heat and light exposure as it may affect the life of the lamps.
8. Ensure power is switched off when not in use
8. For repairs, contact us or an authorized technician. Do not attempt to repair by yourself.