

2.4 GHz Wireless Speakers

Model: HA-WS507

ZOpid[®]

User Manual



Thank you very much for purchasing this product. For proper setup and use, please read this user guide carefully before using this product.

SAFETY AND GENERAL INFORMATION

IMPORTANT INFORMATION ON SAFE AND EFFICIENT OPERATION OF THIS PRODUCT.

READ THIS INFORMATION BEFORE USING THIS PRODUCT.

Users are not permitted to make changes or modify the device in any way. Changes or modifications not expressly approved by the party responsible for compliance could void the user's authority to operate the equipment.

This device complies with part 15 of the FCC Rules. Operation is subject to the following two conditions: (1) This device may not cause harmful interference, and (2) this device must accept any interference received, including interference that may cause undesired operation

Electromagnetic Interference/Compatibility

Note: Nearly every electronic device is susceptible to electromagnetic interference (EMI) if inadequately shielded, designed, or otherwise configured for electromagnetic compatibility.

Facilities

To avoid electromagnetic interference and/or compatibility conflicts, turn off your device in any facility where posted notices instruct you to do so.

Hospitals or health care facilities may be using equipment that is sensitive to external RF energy.

Medical Devices

Hearing Aids

Some devices may interfere with some hearing aids. In the event of such interference, you may want to consult with your hearing aid manufacturer to discuss alternatives.

Other Medical Devices

If you use any other personal medical device, consult the manufacturer of your device to determine if it is adequately shielded from RF energy. Your physician may be able to assist you in obtaining this information.

FCC Notice to Users

This equipment has been tested and found to comply with the limits for a Class B digital device, pursuant to part 15 of the FCC Rules. These limits are designed to provide reasonable protection against harmful interference in a residential installation. This equipment generates, uses and can radiate radio frequency energy and, if not installed and used in accordance with the instructions, may cause harmful interference to radio communications. However, there is no guarantee that interference will not occur in a particular installation. If this equipment does cause harmful interference to radio or television reception, which can be determined by turning the equipment off and on, the user is encouraged to try to correct the interference by one or more of the following measures:

- Reorient or relocate the receiving antenna.
- Increase the separation between the equipment and the receiver.
- Connect the equipment to an outlet on a circuit different from that to which the receiver is connected.
- Consult the dealer or an experienced radio/TV technician for help.

OTHER SAFETY INSTRUCTIONS

- Immediately unplug the device if it releases a peculiar smell or noise; and contact the seller or the authorized service center to arrange to have the product checked
- Do not use any of the devices outdoors or near water when plugged in to an A/C outlet to avoid electric shock or damage to the device and/or the A/C adapters in case these devices get wet.
- The speakers are weather-resistant but NOT waterproof; prevent speakers from getting wet from rain or other

water sources to avoid damage to the speakers.

- Use only A/C adapters provided with the devices to avoid any damage – match power specifications on the A/C adapters to the power specifications on the devices.
- Connect A/C adapters to the right power source, according to the power specifications listed on the AC adapter, to avoid damage to the devices or A/C adapters
- Do not use the A/C adapters to operate other products to avoid damage to the products or the adapters
- For proper use and to avoid damage to the built-in rechargeable battery DO NOT use speakers in extremely high or low temperatures (operating temperature range +10°C- +65°C).
- Do not disassemble the unit or try to repair or replace any parts including rechargeable batteries
- Do not remove top or bottom cover on the speakers or transmitter
- The device should be used in a safe location out of reach of children
- Do not use or store the devices in a high temperature environment
- Use the unit within a temperature range of +10°C- +65°C
- Do not insert other objects inside the unit
- Do not damage the A/C adapters wire of AC adapter, do not pull it hard or use it in high temperature environment
- Do not crush the wire, doing so the wire will rupture, risking an electric shock
- Do not throw the unit into water
- If the unit falls into water, unplug it immediately and do not reach into the water while it's still plugged in
- Wet hands can cause electric shock. Do not operate or connect the unit with wet hands
- Do not put the product near a window or water source
- Do not use damaged cord, as this may cause an electric shock
- Do not place or store the unit in a high temperature environment,

- Use the unit within a temperature range of +10°C- +65°C
- Please unplug the unit before moving it
- Do not use alcohol to clean the unit. If the unit is very dirty please use dry cloth or damp-dry cloth.
- Do not place or store the unit where it can fall or be knocked on the floor to avoid injuries

INCLUDED IN THE PACKAGE

Wireless Speakers (2)

Transmitter (1)

AC Adapter (3)

User Manual (1)

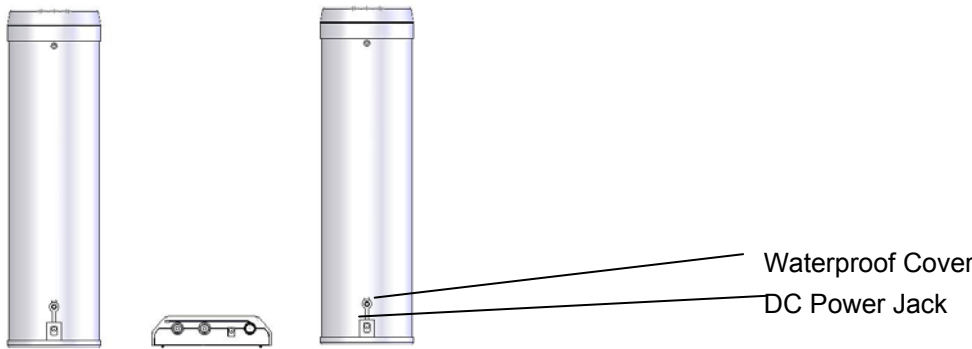
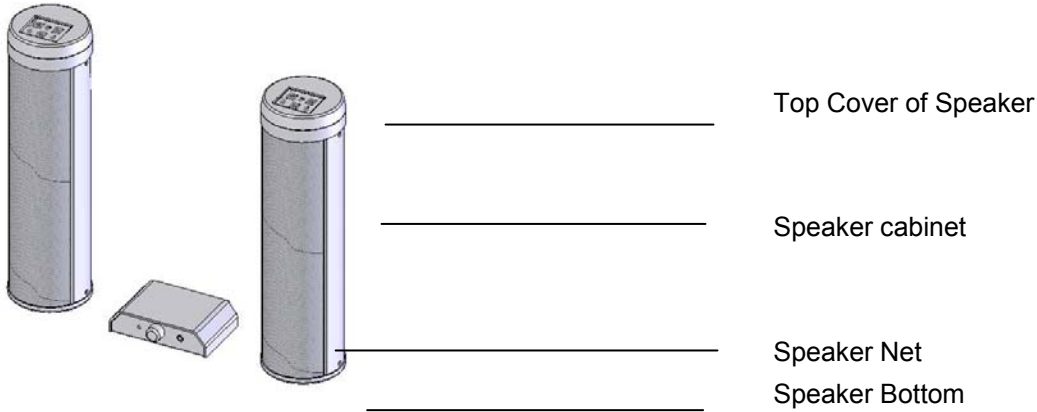
Stereo 3.5 mm Audio Cable (1)

Stereo 3.5 mm to RCA Cable (1)

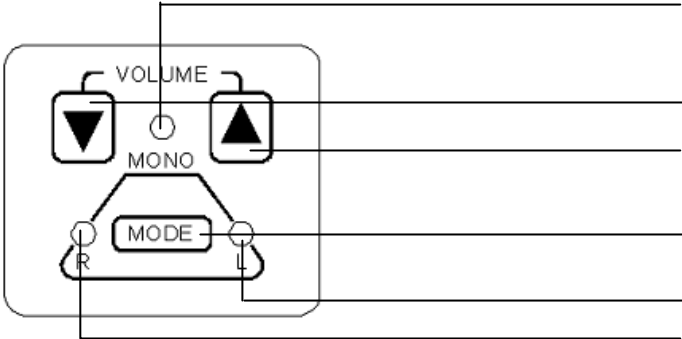
Stereo 3.5 mm to 2.5 mm adapter (1)

Car Power Adapter for Transmitter (1)

PRODUCT COMPONENTS DIAGRAM



PRODUCT COMPONENTS DIAGRAM



MONO Indicator Light

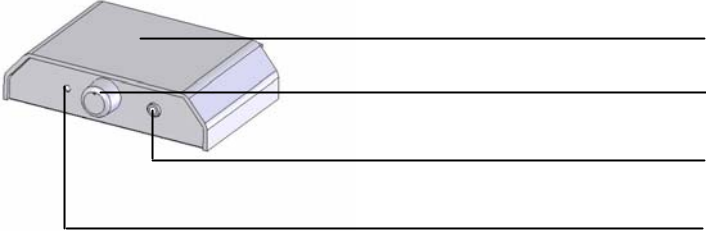
Volume Down Button

Volume Up Button

Power on/off & Mode switch

Left channel indicator light

Right channel indicator light



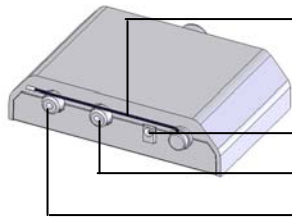
Wireless transmitter

Power on/off & volume control button

3.5mm audio in jack

Power indicator light

PRODUCT COMPONENTS DIAGRAM



Antenna of transmitter

DC 5V power jack

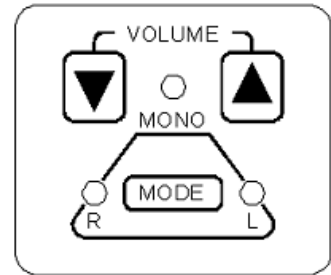
Right channel signal jack

Left channel signal jack

CONNECTING THE DEVICES

● Transmitter Connection

1. Connect one end of the audio wire to an audio source like MP3 player, audio receiver, etc. and other end to the transmitter
2. Power on your Audio source
3. Connect AC adapter to the transmitter
4. Turn power on, and then adjust the volume.
5. Transmitter can also be connected to an audio source with RCA connectors



● **Wireless Speakers Connection And Play Music**

1. Connect AC adapters to the wireless speakers
2. Press “MODE” button once to turn on the power
3. The mode light (MONO, R or L) will illuminate, depending on the what mode was being used when the speaker was last turned off e.g. if the unit was used in MONO mode the last time then MONO light will illuminate when it’s powered on again.
4. When powered ON, transmitter and speakers will search channels automatically, once pairing is done the speaker will start transmitting sound
5. Press “MODE” button to turn OFF the speakers.
6. User can press and hold “MODE” button to select left or right channels, or mono channel. The order is as follows: right---mono---left---right, mode will keep changing until the MODE button is released

● **Charging speakers with rechargeable battery**

User can charge the battery when listening to music. This product has full charge protection, when the battery is fully charged, it will stop charging automatically and the red LED, inside the speaker grill will turn OFF. The unit does not have a fast charge function. After a full charge, it can play for 3-8 hours depending on the volume level on the speakers.

TECHNICAL SPECIFICATIONS

NO.	MEASURING ITEMS	MEASUREMENT CONDITIONS	UNIT	NOMINAL
1	Supply Voltage	RX Module	V	4.5~5
2	Supply Current	RX Module	mA	50
1	Supply Voltage	TX Module	V	2.7~3.3
2	Supply Current	TX Module	mA	80
3	RF IC Frequency		MHz	2400~ 2524
4	RF IC Channels	125Channels		
5	Modulation	GFSK		
6	Frequency Stability		KHz	±156
7	RX Sensitivity	RX	dBm	-85
8	Module used Frequency range		MHz	2400~2480
9	Module Used Channel	16Channels		
10	Module Channel Interval		MHz	5
11	RF Range	50m LOS outdoor		
12	Input Level	TX	V rms	1
13	Input Impedance	TX	Ohm	10K

14	TX Power	TX	dBm	+10
15	Output Power	RX RL=32Ω RL=16Ω	mW mW	30 50
16	Audio Frequency Response	20Hz~ 20KHz(-3dB)		
17	S/N ratio		dB	80
18	THD	1KHz	%	1.2
19	Dynamic Range		dB	90
20	Channel Separation	1KHz	dB	65

NO.	MEASURING ITEMS	MEASUREMENT CONDITIONS	UNIT	NOMINAL
1	Distortion At Max Volume	1KHz 0dB	%	10
2	THD	1KHz 0dB	%	1
3	Max Output Power	1KHz 0dB	W	1.5
4	10%THD Output Power	1KHz 0dB	W	1
5	S/N Ratio	1KHz 0dB	dB	50
6	Frequency Response	30Hz	dB	-3
		100Hz	dB	0

		10KHz	dB	-2
		18KHz	dB	-3
7	Channel Separation	1KHz 0dB	dB	45
8	L/R Channel Balance	1KHz 0dB	dB	0
9	Supply Voltage		V	8~9
10	Supply Current		mA	1000~ 1500
11	Charge Time		h	12

GAURANTEE REQUIREMENTS

1. If you followed operating instructions in this manual and a fault develops, contact an authorized service center or the seller to obtain return merchandise authorization number and the shipping address to return the product for repairs
2. **You will be charged for repairs under the following conditions:**
 - Product without guarantee
 - The problem was caused by wrong operation, disassembling the unit, trying to repair and change function of the product

- The problem was caused by an accident e.g. dropping the product.
- The problem was caused by a natural disaster i.e. fire, earthquake, storm, thunder, power surge etc.
- If proper proof of purchase is not provided indicating date and place of purchase.

LIMITED 1-YEAR WARRANTY

Coverage: Hi-Tech Trading (USA), Inc. ("HiTT") warrants this product ("product") against defects in materials and workmanship under normal consumer use for 1 year from the date of purchase. HiTT, at its option, will at no charge repair, replace or refund the purchase price of this Product should it not conform to this warranty. This limited warranty is a consumer's exclusive remedy, extends only to the first consumer purchaser, is not transferable and is valid only on Products purchased by consumers in the United States or Canada.

Exclusions:

Normal Wear and Tear: Periodic maintenance, repair and replacement of parts due to normal wear and tear are excluded from coverage.

Batteries: Only batteries whose fully charged capacity falls below 80% of their rated capacity and batteries that leak are covered by this limited warranty.

Miscellaneous: This warranty does NOT cover defects or damage that result from: (a) improper operation, storage, misuse or abuse, accident or neglect, such as physical damage (cracks, scratches, etc.) to the surface of the Product resulting from misuse; (b) contact with liquid, water, rain, extreme humidity or heavy perspiration, sand, dirt or the like, extreme heat, or food; (c) use of the Product for commercial purposes or subjecting the Product to abnormal usage or conditions; (d) service, installation, alteration, or modification in any way by

someone other than HiTT and, (e) other acts which are not the fault of HiTT.

Obtaining Service: To obtain service or information, please send email to **help @hittusa.com**. You will receive instructions on how to ship the Product, at your expense, to a HiTT Service Center. To obtain service, you must include a copy of your receipt.

The information contained in this User Manual is believed to be correct at the time of printing. HiTT reserves the right to change or modify any information or specifications without notice. The contents of this User Manual are provided "as is." Except as required by applicable law, no warranties of any kind, either express or implied, including, but not limited to, the implied warranties of merchantability and fitness for a particular purpose, are made in relation to the accuracy, reliability, or contents of this guide.

ZOpid and the Stylized Logo are registered in the US Patent & Trademark Office. All other product or service names are the property of their respective owners.

© 2010 Hi-Tech Trading (USA), Inc.