



PVI-DESKTOP

Remote controller

INSTALLATION AND OPERATOR'S MANUAL

Note: This document contains information that is the property of Power-One, Inc. Reproduction, even partial, or transfer to third parties of the contents of this document without the written consent of Power-One is strictly forbidden.

TABLE OF REVISIONS

Document Revision	Date	Description of changes
1.0	21/07/2009	First issue
1.1	29/12/2009	First revision
1.2	09/12/2009	Second Revision



KEEP THESE INSTRUCTIONS!

INSTRUCTIONS FOR READING THE MANUAL

This manual contains important instructions for safety and operation which must be understood and carefully followed during installation and maintenance of the equipment.

In order to reduce the risk of damage and to be sure that the equipment is correctly installed and ready to operate, special safety symbols are used in the manual to highlight potential security risks or useful information. The symbols are as follows:



WARNING: Paragraphs marked with this symbol contain actions and instructions which must be fully understood and followed in order to avoid potential damage to the device or to persons.



NOTE: Paragraphs marked with this symbol contain actions and instructions which must be fully understood and followed in order to avoid malfunction.

FCC NOTICE

The device complies with part 15 of the FCC rules. Operation is subjected to the following 2 conditions: (1) this device may not cause harmful interference and (2) this device must accept any interference received, including interference that may cause undesired operation

FCC ID: X6W-DESKNOP

CONTENTS

1	INTRODUCTION	6
1.1	AURORA INVERTERS	6
1.2	PVI-DESKTOP.....	6
1.3	AVAILABLE MODELS	7
2	DESCRIPTION OF THE PVI-DESKTOP	9
2.1	DESCRIPTION OF THE DEVICE.....	9
2.2	TECHNICAL CHARACTERISTICS.....	12
2.3	PACKAGING CONTENTS	13
3	GETTING STARTED.....	15
3.1	FIRST RECHARGE OF THE BATTERY.....	15
3.2	SELECTION OF INSTALLATION LOCATION	15
3.2.1	<i>Wall mounting</i>	<i>16</i>
3.2.2	<i>Installation on desk.....</i>	<i>17</i>
3.2.3	<i>Tips on the selection of installation location.....</i>	<i>17</i>
3.2.4	<i>Antennas position</i>	<i>18</i>
3.2.5	<i>Radio communication test</i>	<i>19</i>
3.3	OTHER PRELIMINARY OPERATIONS.....	19
4	SYSTEM INSTALLATION.....	21
5	DESCRIPTION OF THE MENU	23
5.1	DEFAULT SCREEN	23
5.2	MENU.....	24
6	PVI-DESKTOP CONNECTIONS AND INTERFACES.....	25
6.1	POWER SUPPLY CONNECTOR.....	25
6.2	USB CONNECTOR	26
6.3	RS485 CONNECTOR	27
6.4	SD CARD SLOT.....	27
6.5	RESET BUTTON	28
6.6	STATUS LED.....	29
6.7	BLUETOOTH® (OPTIONAL)	29
6.8	TOUCH SCREEN.....	30
7	SYSTEM OPERATION	31

8	FIRMWARE UPGRADING.....	32
8.1	FW UPGRADING PROCEDURE USING AURORA COMMUNICATORE AND USB CONNECTION	32
8.2	HOW TO SAVE THE NEW FW IN YOUR PC.....	35
8.3	UPGRADING VIA SD CARD	37
8.4	USB 2.0 DRIVER INSTALLATION	38
9	COMPATIBILITY AND BEST USE	42
9.1	OPERATING SYSTEM COMPATIBILITY	42
9.2	COMPATIBILITY WITH INVERTERS	42
9.3	DATA MANAGEMENT IN THE SD CARD.....	43
10	TROUBLESHOOTING GUIDE.....	44

1 INTRODUCTION

This document contains the technical description of the PVI-DESKTOP. The user will find all the information needed for configuration and for the proper operation and use of the device.

1.1 AURORA INVERTERS

The inverters for the Aurora range photovoltaic and wind plants are equipped with internal software that allows several parameters to be monitored for both the operation of the plant and the inverter itself and for the production of measured energy. The inverters are also provided with a display (liquid crystal or monochrome) capable of showing sensitive data simply by using the built-in keypad.

Often, due to the limited accessibility of the system, remote display of all data recorded by the inverter is necessary so as to have full control of the conversion device's functions and, at the same, to check the actual energy production.

1.2 PVI-DESKTOP

The PVI-DESKTOP can fulfil the tasks of monitoring and remotely displaying important parameters. The PVI-DESKTOP is a device which can communicate remotely with the inverters in different ways, present the information of interest to the user on a large TFT display, process and store a wealth of information covering the whole life of the photovoltaic or wind system. As well as all this, the PVI-DESKTOP can also communicate with other devices (e.g. normal home PCs) via a USB port and, optionally, via Bluetooth[®]; this type of communication is possible by using dedicated software for monitoring the Aurora inverters through a connection with a PC, Aurora Communicator, which is always included in the inverter package CD and upgradeable from the web site <http://www.power-one.com>.

The PVI-DESKTOP thus allows you to replace or supplement the display of data carried out remotely via the cable between the inverter RS485 port and an input port on a normal home PC (and which still requires the software mentioned above). The main advantage of using a PVI-DESKTOP lies in the possibility of setting up wireless communication and the absence of wired communication. Moreover the large TFT touch screen display allows the data acquired by the system to be easily and intuitively displayed and processed. This way the use of an external PC is not strictly necessary.

Connection to an external PC is only necessary for upgrading the internal firmware or downloading the data collected by using Aurora Communicator.

Figure 1 shows a diagram summarizing the connections possible with the PVI-DESKTOP, both to the inverters and a traditional PC.

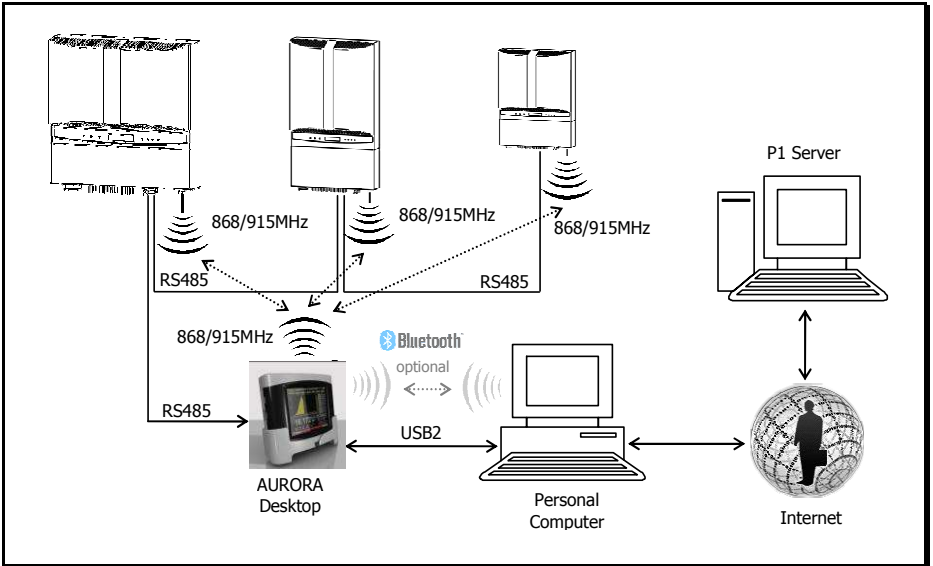


Figure 1 – Simplified connection diagram for the PVI-DESKTOP

1.3 AVAILABLE MODELS

Several versions can be purchased and they differ by their features or added components. The various models are identified by the P/N:

PVI-DESKTOP-yy-xx

Where, field yy shows the characters BT if the model is equipped with a Bluetooth[®] peripheral (otherwise this field is not in the P/N), and field xx shows two characters identifying the national code which distinguishes the different mains sockets for the charger. Some examples:

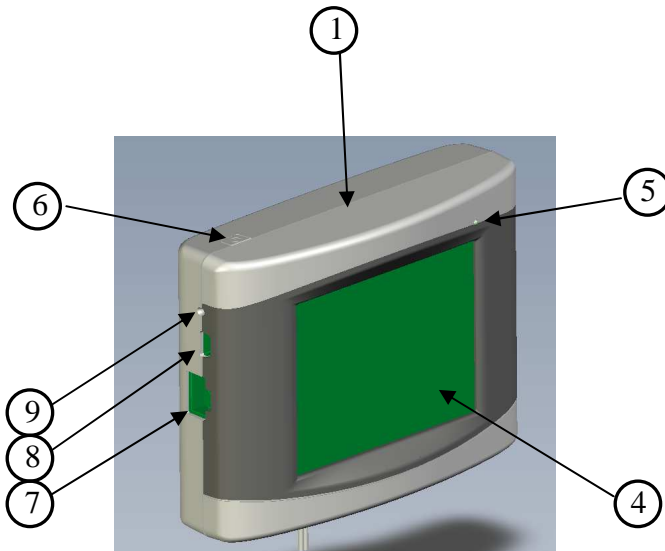
PVI-DESKTOP-IT → model without Bluetooth® peripheral and power supply/battery charger with Italian mains socket

PVI-DESKTOP-BT-UK → model with Bluetooth® peripheral and power supply/battery charger with English mains socket

2 DESCRIPTION OF THE PVI-DESKTOP

2.1 DESCRIPTION OF THE DEVICE

For proper use of the PVI-DESKTOP, you are recommended to look carefully at Figure 2 to learn how to identify all the parts of the object.



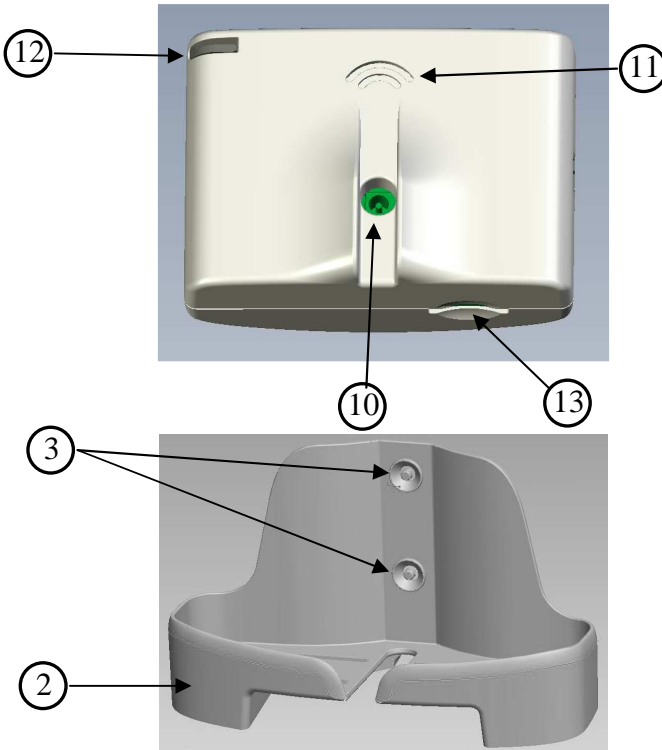


Figure 2 - Position of the components

1. PVI-DESKTOP
2. Docking station
3. Holes for wall mounting
4. Touch Screen display
5. Multicolour LED status indicator
6. ON/OFF Button
7. RS485 communication port
8. USB 2.0 communication port
9. Reset button (internal)
10. Power supply input
11. Sound output holes
12. Stylus Pen positioning groove
13. SD card connector



WARNING: Component 7. is a connector to be used solely and exclusively for connection by RS485 to the Aurora inverters, when used. On no account use it for anything else (e.g. connection of Ethernet cables for PC or telephone connections) to prevent damage to the communication port.

The following figure also illustrates the location of the internal components of the PVI-DESKTOP and the mechanical parts that make it up. The drawing is shown purely for information purposes, since any disassembly or operation on the electronics of the PVI-DESKTOP, including replacement of the Lithium battery, must be carried out by specialist staff.

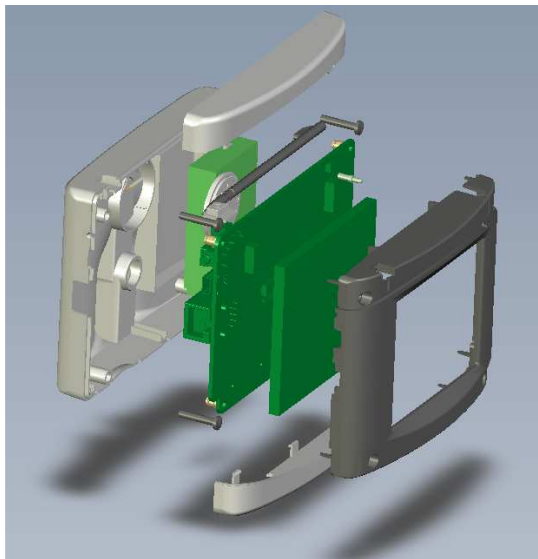


Figure 3 - Mechanical blow-up diagram



WARNING: the PVI-DESKTOP is fitted with security labels which, if removed or showing scratch marks, render the warranty null and void. Maintenance operations and replacement of components on the PVI-DESKTOP can only be carried out by qualified specialist staff.

2.2 TECHNICAL CHARACTERISTICS

The technical characteristics of the PVI-DESKTOP display and remote control device are summarized in the following table.

Inverter radio communication frequency for European models	868.25 MHz, single channel with 500 kHz bandwidth
Inverter radio communication frequency for USA models	63 channels from 902.65MHz to 927.45MHz
Inverter radio communication frequency for Australian models	30 channels from 915.8MHz to 927.45MHz
Communication range with radiomodule ¹	300 m
Bluetooth	Optional
Bluetooth communication frequency	2.4 GHz
Bluetooth range ¹	20 m
USB 2.0 port	present
RS485 communication port	present
Maximum RS485 cable length	200 m
Included SD Card capacity	1 Gb
Graphical display resolution	320 x 240 QVGA
Graphical display dimensions	3.5"
Touch Panel	4-wire resistive
Battery capacity	1950 mAh
Standby ²	3 weeks
Full charge time via power supply	6 h
Full charge time via USB 2.0	8 h
Voltage and current from power supply	5V 1A DC
Maximum current from USB 2.0	500 mA
Software upgrade	Free via web ³
Restoration of default settings	Reset button
Status indicator	Three-colour LED

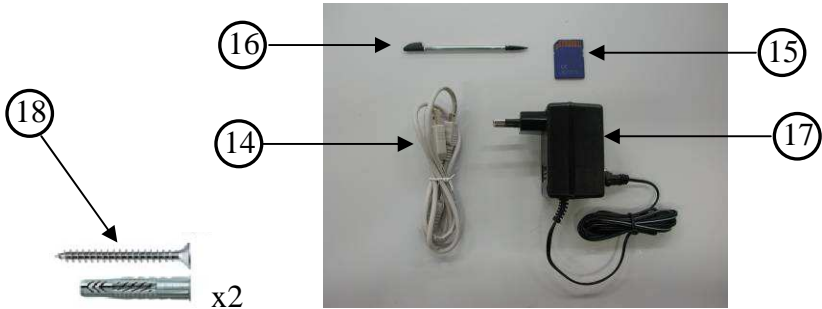
¹ The specified range is significant only in the open and in the absence of obstacles to the radio signal

² The standby time indicated was measured in standard operating conditions (radio communication every 15 minutes, power sleep enabled at 1 minute)

³ See website www.power-one.com

2.3 PACKAGING CONTENTS

Inside the packaging and in addition to the PVI-DESKTOP and its docking station, are some accessories, some of which have already been positioned in the PVI-DESKTOP. These accessories are indicated and recognisable from the following figure.



- 14. USB cable
- 15. SD Card
- 16. Stylus Pen
- 17. DC 5V 1A power supply
- 18. Wall mounting kit (2 dowels + 2 universal screws)



NOTE: The distributor has delivered your PVI-DESKTOP to the carrier packed securely and in perfect condition. The carrier, by accepting the package, takes responsibility for it up to delivery. Despite the care exercised by the carrier, it is possible that the package and its contents may be damaged during transport.

The customer is recommended to carry out the following checks:

- Examine the shipping container for signs of visible damage: holes, cracks or any other sign of internal damage;
- Describe any damage or missing parts on records of receipt, and obtain the signature of the carrier and its full name;
- Open the shipping container and examine the contents for signs of any damage inside. When unpacking be careful not to discard equipment, components or manuals. If damage is found, contact the shipper to determine the type of intervention appropriate. An inspection may be required; store all the packing material for the inspector!

- If the inspection reveals damage, call your local supplier, or authorized distributor. They will decide whether the equipment should be returned for repair and provide instructions in this regard;
- It is the customer's responsibility to make a complaint with the carrier. Omission of this procedure may result in the loss of warranty service for any damage reported;
- Keep the PVI-DESKTOP's original packaging in a safe place; should it be sent for repair, it is necessary to use the original packaging.

3 GETTING STARTED



WARNING: the PVI-DESKTOP requires some preliminary steps at the initial start up of the system. Follow the instructions carefully for proper start up.

3.1 FIRST RECHARGE OF THE BATTERY

The lithium battery inside the PVI-DESKTOP may not be completely charged, or even completely discharged, at the time of initial start up. To avoid problems, it is recommended that the object be charged for no more than 10 hours using the appropriate power supply supplied. Charging is also possible via the USB port, even when the object is completely turned off, but this takes slightly longer. The LED indicating the charge will remain orange for the duration of the recharge turning green once it is fully charged.



WARNING: Should recharging not be complete after 10 hours, unplug the power supply, check that there is no overheating or deformation in the back part of the object that would indicate potential damage to the internal battery.



NOTE: Charging via the USB port is slower than charging via external power supply.

The PVI-DESKTOP can also be used with the power supply always connected. Leaving the object always connected to the mains causes no problem to its operation or to the battery. Nevertheless, it is recommended that a full charging and discharging cycle of the battery be carried out every 2 months.

3.2 SELECTION OF INSTALLATION LOCATION

The PVI-DESKTOP can simply be placed on a flat surface or desk, or can be wall mounted. This is possible thanks to the docking station with supporting feet and preruptures for the fixing holes.

3.2.1 Wall mounting

Choosing the location carefully for wall mounting is essential for comfortable and easy reading of data. It is recommended the PVI-DESKTOP is not installed above or near heat sources (e.g. radiators, stoves or other sources of heat) to avoid damage to the object. Avoid installing the object in the vicinity of large metallic parts (e.g. boilers, steel doors, various kinds of metal boxes, etc.) in order not to limit the operating efficiency of radio communication or Bluetooth®. It is furthermore recommended that areas where the incidence of direct light may make it impossible to read the display correctly and even lead to discolouration of the external plastic are avoided. The following figures illustrate the procedure for proper wall mounting.

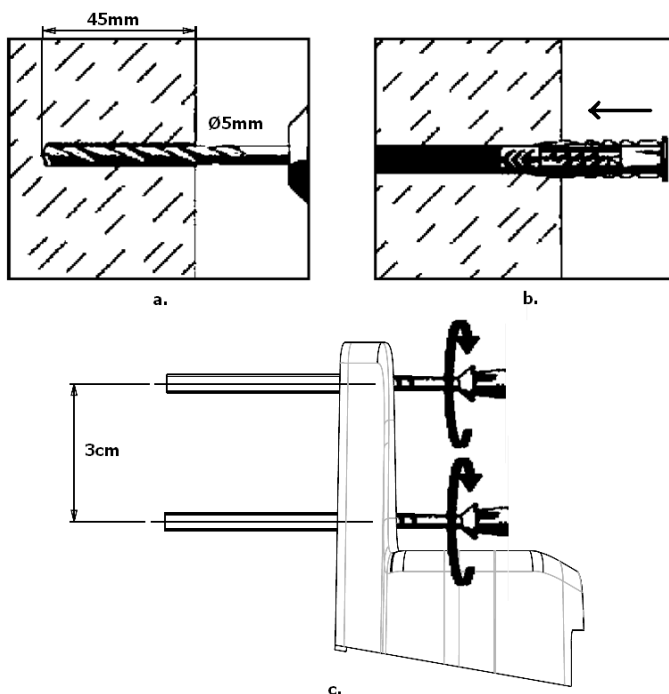


Figure 4 - Wall mounting procedure

Drill two holes, diameter 5 mm and minimum depth 45 mm, 3 cm apart from each other (Figure 4.a.). Insert the dowels (Figure 4.b.). Screw the base to the wall using the screws provided (Figure 4.c.)

The PVI-DESKTOP support base is designed to make it easy to remove the object even with the power or communication cables inserted. Moreover, if properly installed, the PVI-DESKTOP will be perfectly parallel to the wall chosen.



NOTE: The physical characteristics of the installation location (wall thickness, presence of metal or glass walls, distance from the Aurora inverter, etc.) may limit the range of the radio signal. It is recommended that, once a plausible location for mounting has been identified, a radio communication test is carried out before the actual installation.

3.2.2 *Installation on desk*

The PVI-DESKTOP base enables comfortable and solid positioning on flat surfaces such as tables or desks. The inclination of about 10° of the axis allows for easier reading of the display and more convenient use of the touch screen. It is recommended the PVI-DESKTOP is not installed above or near heat sources (e.g. radiators, stoves or other sources of heat) to avoid damage to the object. Avoid installing the object in the vicinity of large metallic parts (e.g. boilers, steel doors, various kinds of metal boxes, etc.) in order not to limit the operating efficiency of radio communication or Bluetooth®. It is furthermore recommended that areas where the incidence of direct light may make it impossible to read the display correctly and even lead to discolouration of the external plastic are avoided.



NOTE: The physical characteristics of the installation location (wall thickness, presence of metal or glass walls, distance from the Aurora inverter, etc.) may limit the range of the radio signal. It is recommended that, once a plausible location for mounting has been identified, a radio communication test is carried out before the actual installation.

3.2.3 *Tips on the selection of installation location*

The selection of installation location and the position of the PVI-DESKTOP strongly influence the quality of the radio signal received. Choosing to leave the PVI-DESKTOP resting on a desk free of obstacles and objects in a 20 cm radius allows the best radio signal reception. If you choose wall mounting, take into account some rules that allow data reception to be much improved. Avoid, for example, installing the PVI-

DESKTOP on walls coming between the inverter and the controller, and prefer walls which do not come between the line of communication (Figure 5).

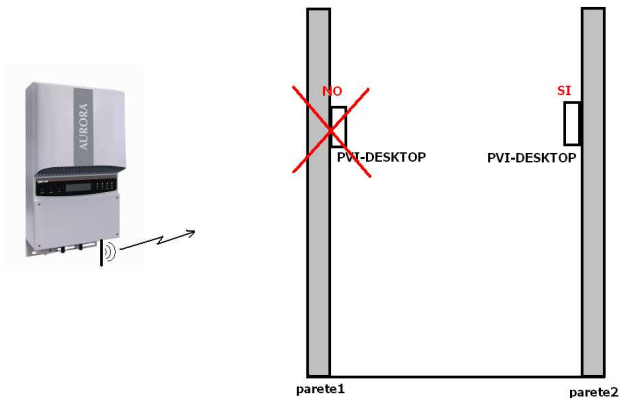


Figure 5 - Wall mounting, selection of location

Keep metal or conductive objects as far away as possible.

Signal quality is also influenced by environmental factors such as fog, rain, air humidity, etc. The effect of these environmental factors is negligible over limited distances but can be considerable over long communication distances.

3.2.4 Antennas position

A very important factor in order to have a good signal quality is the antennas mutual position. Do not point the inverter antenna to PVI-Desktop (figure Figura 6.b) because this is the worst mutual position. Try to keep a mutual position as shown in figure Figura 6.a.

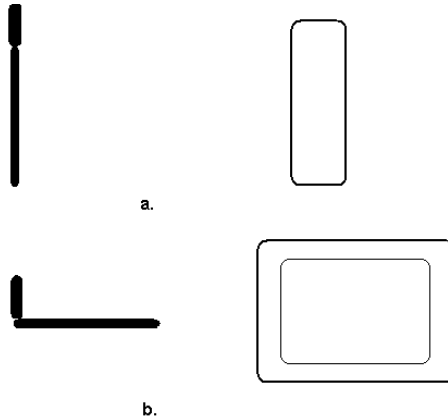


Figura 6 - Posizione reciproca di antenna e PVI-DESKTOP (a. ricezione ottimale, b. ricezione debole)

3.2.5 *Radio communication test*

To test communication, it is possible to carry out a simple plant configuration as shown in paragraph 4 point 2). Appearance of your inverter in the list of associable devices is confirmation radio signal reception.

3.3 OTHER PRELIMINARY OPERATIONS

Before starting up the PVI-DESKTOP for the first time, make sure the Aurora inverters have been properly configured. Check that the PVI-RADIOMODULE card has been installed in the Aurora inverters, should activation of radio communication with the PVI-DESKTOP be desired. To install the PVI-RADIOMODULE reference should be made to the applicable manual. Check that the cable is long enough for RS485 communication, if you desire to use wired configuration as an alternative to radio communication.



WARNING: Connector 7. Figure 2 is reserved for use with special wiring for RS485 communication with Aurora inverters. Under no circumstances connect with any other device (Ethernet, telephone network or other) as it could lead to possible damage.

Check that the SD card is inserted correctly before turning on the device. The SD card is an integral part of the device and is absolutely necessary for its operation. Missing or incorrect insertion of the SD card generates an easily recognizable error message on the display.

4 SYSTEM INSTALLATION

When all the preliminary steps (see § 3) have been carried out, the initial start up of the communication system can proceed. For proper initial start up follow the operations indicated in the following paragraphs scrupulously.

1) Inverter configuration and device switch on

- Check that the PVI-RADIOMODULE is correctly installed (see the PVI-RADIOMODULE manual) if you want to initialize radio communication.
- Check that the Aurora inverters in your photovoltaic/wind plant are turned on.
- Check that the addresses for the RS485 ports are all different (they do not need to be sequential).
- Check that the RS485 wiring is correct and inserted if you want to initialize RS485 cable communication.

2) Switching on the PVI-DESKTOP and inverter association

- Switch on the device by pressing the ON/OFF button and follow the instructions that appear on the display, select the desired values and click on next.
- Set the date and current time.
Please note that you can change the setting at any time through the "Settings - Date - Time" menu.
- Select the communication channel: select the box corresponding to the communication channel that will be used (Radio or RS485).
- Select the number of inverters that will be connected to the PVI-DESKTOP (from 1 to 6).
- Select how often you want a data read refresh. The time is selectable from a minimum of 1 minute to a maximum of 15 minutes.
- Scan the communication channel to search for inverters or choose to defer the operation to a later time.

- If you decide to carry out the scan, the PVI-DESKTOP will begin to interrogate the various addresses until has found a number of inverters corresponding to the one set in the configuration process. During scanning, a screen showing a table with an indication of the state of scanning will appear.
- At the end of scanning, the table will show the models and serial numbers of the inverters found.
- At this point it is possible to choose which inverter(s) to associate uniquely with your PVI-DESKTOP so that they cannot be seen and recognised by other PVI-DESKTOPs nearby. The selection is made by pressing the '+' key next to each inverter chosen. Pressing the '+' key changes the colour of the corresponding row in the table by highlighting the selection.
- It is advisable to check that the serial numbers of the inverters chosen correspond to those of the inverters in your system to avoid associating inverters from other systems nearby with your PVI-DESKTOP.
- At this point the system is configured and, automatically, starts the synchronization procedure for the timetable of the monitored inverters and data acquisition from the inverters. The first synchronization can also take a very long time because of the high amount of historical data that the inverters will send to the PVI-DESKTOP.
- On the other hand, if the channel scan is unsuccessful, an error message and a request to repeat the scan will be displayed.
- To determine the causes of non-recognition of the inverters, consult the troubleshooting guide attached to the manual

3) Inverter disassociation or need for reconfiguration

Whenever it may be necessary to delete one or more associated inverters from your list, it is necessary to run the guided procedure again, accessing it from the "Settings – Configuration wizard" menu. On appearance of the table with the associated serial numbers, simply click on the '-' key to deselect the inverter and delete it from the associated list.

Any time a re-configuration is necessary, you must carry out the guided procedure.

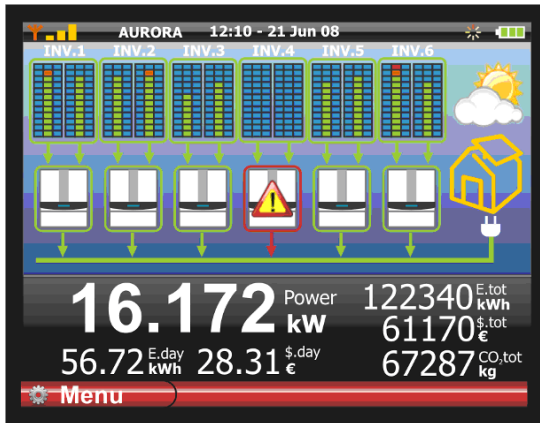


NOTE: The guided configuration procedure is necessary, for example, when an inverter is replaced or an inverter is added for monitoring.

5 DESCRIPTION OF THE MENU

5.1 DEFAULT SCREEN

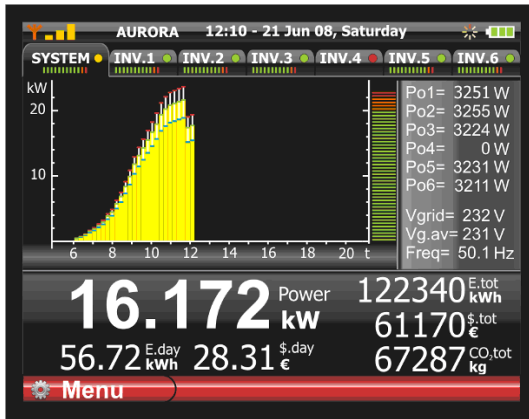
The PVI-DESKTOP remains, by default, on an intuitive screen that summarizes the system's important data and operating status. The screen is shown in the figure below.



Each inverter in the system is surrounded by a line indicating different states depending on the colour:

- Green line - Inverter connected and running correctly
- Yellow line - Inverter on but not yet connected to the network
- Red line - Inverter in alarm
- Blue line - Inverter off or no radio or wired communication

If you click (single click) on each inverter you will see a bubble showing the recognition data for the individual inverter and its operating status. The top bar contains the information regarding date and time, battery status, the power of the radio signal received and the radio communication icon. The central black band shows the summary data for the whole system. Clicking on any point in the black band gives you a detailed view of the system. The screen that opens is detailed in the following figure.



The screen shows the graph of the power produced by the system and, by clicking on the relative tab, by each individual inverter. The right side also summarises the sensitive parameters. The central black band and top bar show exactly the same data as the default screen.

By clicking on the tabs, you select the graphs and data for each individual inverter (INV.N) or the complete system (SYS); the tab also has indications that are always visible reporting the status of each individual inverter and a power meter that indicates the power exported in the form of a graph.

5.2 MENU

You enter the main screen from the previous screens, by clicking on the menu key. The PVI-DESKTOP menu is divided into sections and each section has several sub-menus to view, set or change the settings of the object.

- **Statistics Menu**

In this section you can recall all the production data for the system for certain time intervals. Sub-sections indicate the time interval for which you want to see the production data (total, Partial, Today, 7 days, 30 days, 365 days, User).

- **Settings Menu**

In this section you can enter or change the object's configuration parameters. The first heading "Date-Time" allows you to change the date and time set. The second heading "Money" allows you to enter the current exchange rate for calculating savings. The heading "display" sets the brightness and recalibrates the touch screen.

Successively there are the "Language" sub-section, which allows you to set the system language, the "Configuration Wizard", which allows the communication channel to be re-configured, and the "Firmware Update" from which you can upgrade the PVI-DESKTOP firmware to the latest level. The "Sleep" heading, on the other hand, allows the battery save function to be activated. This function can be enabled or disabled at set time intervals. For the new software installation procedure, please refer to the applicable section.

Models with Bluetooth® will also have a heading in this menu dedicated to the enabling/disabling of the peripheral.

- Info Menu

In the sub-sections of this menu you can get information about the PVI-DESKTOP serial number and the firmware version installed.

6 PVI-DESKTOP CONNECTIONS AND INTERFACES

The PVI-DESKTOP is equipped with different types of connection and interface that connect it directly to the Aurora inverters or a traditional PC. The following paragraphs describe the capabilities and limitations of using the connections on the object.



WARNING: The instructions shown in the following paragraphs are essential for avoiding potential damage to the device. Any use of connections other than those indicated is potentially harmful to the PVI-DESKTOP.

6.1 POWER SUPPLY CONNECTOR

At the back of the device there is the input connector for the power supply. The electrical input characteristics are shown marked near the connector itself. Figure 2 shows the location of the connector and details stamped. Use the power supply provided to supply the device.

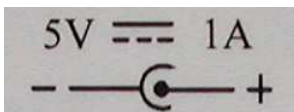


Figure 7 - power supply polarity

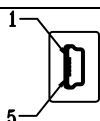


WARNING: Follow the directions regarding voltage and current as well as those regarding polarity in order to prevent damage to the device.

6.2 USB CONNECTOR

The connector to the USB 2.0 interface is located on one side of the PVI-DESKTOP. The connector is a USB mini B and is used with the cable supplied. The interface is designed to connect the device to a normal PC with a USB port. Insertion of other types of peripheral such as mass storage keys, external hard disks, mobile telephones, MP3 players and other devices is not permitted. Communication with the PC occurs after installation of the special drivers and through the software on the CD attached to the packaging. Through the software you can download the data in the PVI-DESKTOP and store it on a PC.

The USB connector can also be used to recharge the PVI-DESKTOP. Please note that charging via the USB port is considerably slower than through the power supply connector.



pin no.	function
1	+5V
2	D-
3	D+
4	ID
5	GND
shield	GND

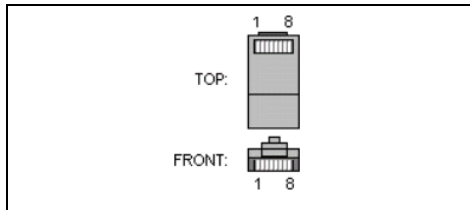
6.3 RS485 CONNECTOR

The entry to the RS485 port is located just below the USB connector. This port is to be used exclusively for connection to the Aurora inverters by appropriate wiring.



WARNING: As indicated on the protection label, the J1 connector in Figure 2 is reserved for use with special wiring for RS485 communication with Aurora inverters. Under no circumstances connect with any other device (Ethernet, telephone network or other) as it could lead to possible damage.

This connection can be used as an alternative or supplement to the radio communication with the inverters.



pin no.	function
1	not used
2	not used
3	D+
4	not used
5	D-
6	not used
7	GND
8	not used

6.4 SD CARD SLOT

The slot dedicated to the SD card is located at the bottom of the PVI-DESKTOP. When the card is not inserted or contains no recognisable data, this device shows an error message on the display which disappears only after the insertion of a correct SD card. The SD card has some graphics features and other elements essential to the object's operation stored in it. This card is also capable of storing, if necessary, the field inverter data and making it available to other dedicated software on other devices such as PCs.

To remove the SD card, simply press on it until there is a click (Figure 8) and the card will be automatically pushed out at that point. The memory card can only be re-inserted into its slot in one correct way; do not force insertion as this may break the connector.

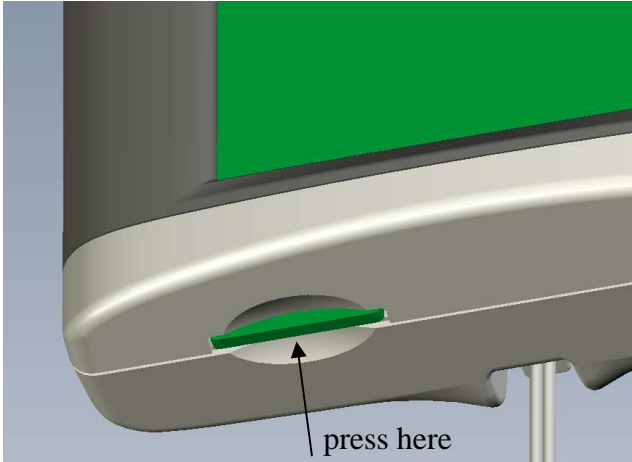


Figure 8 - SD card withdrawal



NOTE: We recommend removing the SD card only if actually needed to transfer data to other support media. If this is not necessary, the card can remain indefinitely in its slot. Do not use the SD card as a storage disc for data unrelated to the operation of the PVI-DESKTOP.



NOTE: Even if it is not necessary to remove the SD card with the object switched off, we recommend the PVI-DESKTOP be switched off completely before carrying out this operation.

6.5 RESET BUTTON

Just above the USB connector is a small hole which allows, through the use of the stylus pen or other pointed object, the processor to be reset and hence the device to be restarted. The reset procedure is a recovery process to be used solely and exclusively when the need arises (e.g. blocking of operation due to exceptional events). The reset procedure does not damage the device or alter its functional characteristics in any way. To locate the button, see Figure 2.

6.6 STATUS LED

At the top right of the display there is a LED status indicator. This LED will take on different colours depending on the operating status of the PVI-DESKTOP. Figure 2 identifies the position of the LED. The following table is an aid to distinguishing the different states of operation, the corresponding colours and the corresponding operating states of the PVI-DESKTOP.

LED COLOUR	INDICATION
<i>LED off</i>	- No power connected (DC or USB)
<i>Steady green LED on</i>	- Battery charged, at least one power supply connected (DC or USB), device on standby
<i>Steady orange LED on</i>	- Battery charging
<i>Red LED flashing</i>	- Battery flat
<i>Blue LED flashing</i>	- Aurora Desk on standby

6.7 BLUETOOTH® (OPTIONAL)

There is the possibility of having a Bluetooth® module as an optional interface for the PVI-DESKTOP. This interface allows communication with PCs equipped with Bluetooth® and dedicated software. It carries out all the functions implemented on the USB port for data exchange and firmware upgrades.

Under normal operating conditions, the Bluetooth® function is disabled to eliminate unnecessary power consumption. To enable this function you need to access the appropriate menu.



NOTE: We recommend using Bluetooth® only when necessary and disabling it immediately after use so as not to drain the battery quickly.

6.8 TOUCH SCREEN

The PVI-DESKTOP is equipped with a resistive touch screen that allows easy and fast navigation through the menus without pressing a keyboard, etc. At the back (see Figure 2) there is a space where a stylus pen, for use to apply pressure on the screen, can be inserted. The screen is sensitive to pressure from any object (fingers, pens, etc) and only a light touch is needed to activate it. If necessary, there is a touch screen calibration procedure that allows any errors in reading the pressure to be corrected.



WARNING: Take care to avoid touching the touch screen with sharp or pointed objects or applying excessive pressure on the surface. Do not scratch, strike violently or scrape the display surface and only use products specially designed for cleaning LCD screens. Damage to the touch screen seriously undermines the object's operating efficiency.



NOTE: We recommend using the stylus pen to prevent any staining or soiling to the display surface.

7 SYSTEM OPERATION

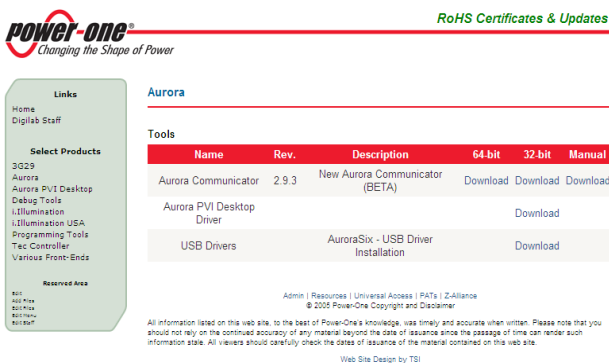
Once the PVI-DESKTOP has been configured, it operates automatically and continues to make data requests to the associated inverters, storing the replies. The device will pass through different states during the process of normal operation. In particular, the PVI-DESKTOP can be in three different conditions:

- **FULL-ON MODE;** in this mode the display is on and all functions are 100% active. Every touch in an active area of the touch screen will make the page change and execute the set commands.
- **STAND-BY MODE;** in this mode the PVI-DESKTOP display will be off, but the object will be ready to react to a touch on the touch screen. The radio and RS485 peripherals are 100% operational. A flashing blue LED will indicate this state. The PVI-DESKTOP automatically goes into standby 1 minute after the last touch screen command.
- **SLEEP MODE;** in this mode the whole system is on minimum consumption. The peripherals are off and come back on automatically to send data requests to the inverters. The user will not see any indication from the PVI-DESKTOP. The device will go into this state only if it has been enabled through the appropriate menu and after a time that can be set. To re-awaken the system, press the ON/OFF key for at least one second.
- **OFF MODE;** by pressing the ON/OFF key for at least 5 seconds, a screen will appear asking if you want to turn it off. By pressing 'OK', the object will switch off completely and will not send any data requests by radio or RS485, or perform any other operation, until it is switched back on. To switch the PVI-DESKTOP back on, simply press the ON/OFF key.

8 FIRMWARE UPGRADING

8.1 FW Upgrading procedure using Aurora Communicator and USB connection

1. Download the latest version of the Aurora Communicator Software. The latest release of the SW is available at the following link: <http://www.power-one.it/digilab/Digi.aspx?Code=15>



power-one®
Changing the Shape of Power

RoHS Certificates & Updates

Links

- Home
- Digilab Staff

Select Products

- 3029
- Aurora
- Aurora PVI Desktop
- Debug Tools
- i.Illumination
- i.Illumination USA
- Programming Tools
- Tac Controller
- Various Front-Ends

Reserved Area

- Hot
- All News
- Business
- Forum
- News?

Aurora

Tools

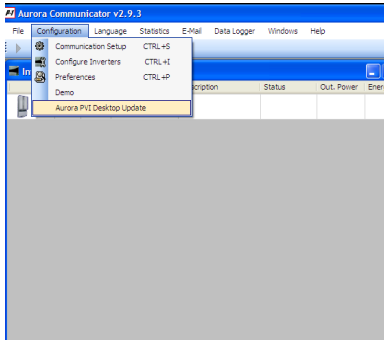
Name	Rev.	Description	64-bit	32-bit	Manual
Aurora Communicator	2.9.3	New Aurora Communicator (BETA)	Download	Download	Download
Aurora PVI Desktop Driver				Download	
USB Drivers		AuroraSix - USB Driver Installation		Download	

Admin | Resources | Universal Access | PATs | Z.Alliance
© 2005 Power-One Copyright and Disclaimer

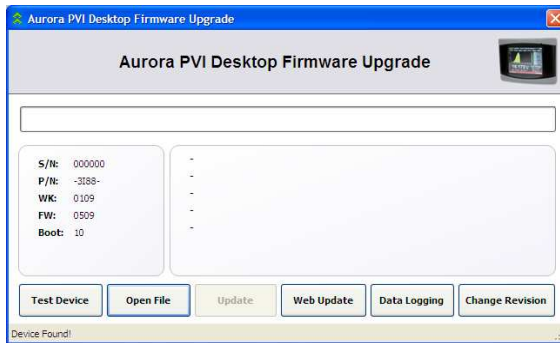
All information listed on this web site, to the best of Power-One's knowledge, was timely and accurate when written. Please note that you should not rely on the continued accuracy of any material beyond the date of issuance since the passage of time can render such information stale. All viewers should carefully check the dates of issuance of the material contained on this web site.

Web Site Design by TSI

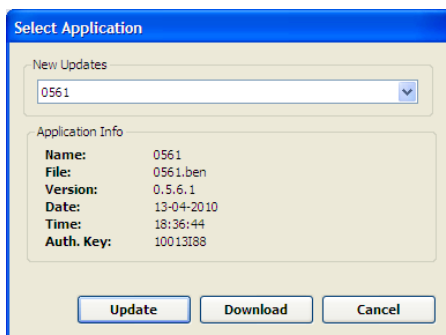
2. Click on Donwload to save the correct version of the SW with respect to the OS version (32 or 64bit).
3. Unzip the file and launch the setup.exe to start installation.
4. In case a previous version of the Aurora Communicator is present on the PC, it's strongly recommended to uninstall it before to launch the installation of the downloaded version.
5. During the FW upgrading make sure all the other programs are shut-off.
6. To complete this operation it's mandatory to have an active USB connection with the PVI-DESKTOP and an active connection to internet to make possible the connection to the Power-One's server for the FW downloading
7. Launch the Aurora Communicator SW From the Configuration menu, choose Aurora PVI-DESKTOP Update.



8. Click on Test Device to verify the connection with the PVI-DESKTOP is correctly working. In case the connection is up and running, will be possible to read the device S/N, device P/N, production WK, actual FW version, actual Boot version. In the bottom-left corner the message “Device found” will appear. In addition the other buttons will be enabled.



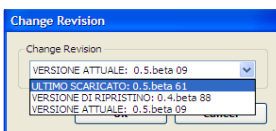
9. Click on Web Update to connect to the PowerOne server. From the list of the available FW, select the desired one (the latest available will always be on the top of the list) and click on Update to start the FW upgrading process



10. The FW upgrading process will be completed after three operations will be successfully completed. During the FW upgrading process the PVI-DESKTOP will show the message “FW Upgrading” at display:
“memory section erasing”
“FW writing”
“FW verification”



11. Once the three steps are successfully completed, it's possible to change the FW revision. Click on Change Revision to view the available FW version into the PVI-DESKTOP, choose the desired version (the latest downloaded) and click on OK:

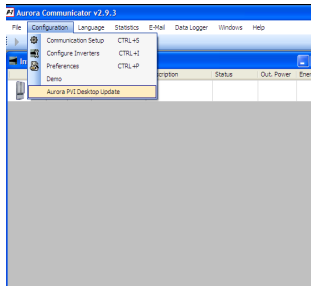


12. Below some screenshot of the Aurora Communicator SW during the revision change. During this period the display of the PVI-DESKTOP doesn't show any information about the process. The user can check the state of the procedure by Aurora Communicator SW display messages, at the last step the PVI-DESKTOP will restart by itself. After the restart is complete, Aurora Communicator SW will check that the new PVI-DESKTOP revision is ready. It is recommended to not disconnect the USB since the PVI-DESKTOP has completed the restart.

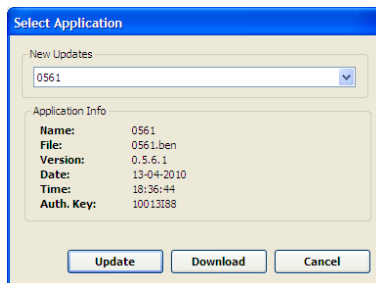


8.2 How to save the new FW in your PC

1. It's possible to save the new FW file on the HDD to perform the FW upgrading in a second step. In this case, the operation can be done even in case the USB connection with the PVI-DESKTOP is not available (i.e. the test device is impossible). In any case to complete this operation is mandatory the PC has an active connection to internet to make possible the connection to the Power-One's server for the FW downloading.
2. If the USB connection is available, launch the Aurora Communicator SW. From the Configuration menu choose Aurora PVI- Desktop Update.



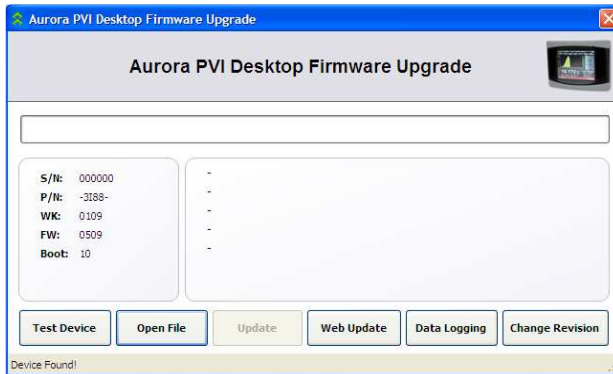
- Click on Web Update to connect to the PowerOne server. From the list of the available FW, select the desired one (the latest available will always be on the top of the list) and click on Download to save the new FW upgrading file. Save the file with the name in the following format: FWxxxx.ben, where xxxx is the application's name.



- If the USB connection is not available, launch the Aurora Communicator SW. From the Configuration menu, choose Aurora PVI-Desktop Update
- Click on Web Update, the SW will require an authentication key. You can find the authorization at the following screen on the PVI-DESKTOP display: Menu/Info/ID Aurora PVI Desktop.
- Insert the authorization key (i.e. 10013188) and select the desired new FW file from the list of the available FW (the latest available will always be on the top of the list). Click on Download to save the new FW upgrading file. Save the file with the name in the following format: FWxxxx.ben, where xxxx is the application's name.



7. To update PVI-DESKTOP utilize Aurora Communicator SW choosing Open file from following screenshot, then select Update.



8.3 Upgrading via SD card

1. Turn off the PVI-DESKTOP by pressing the ON/OFF key for more than 5 seconds and confirming on the display.
2. Take the SD card out of the PVI-DESKTOP by pressing it lightly (ref. §6.4.).
3. Insert the SD card into a reader connected to the PC.
4. Check the formatting of the SD card by right-clicking on the appropriate drive and selecting properties. Check that the formatting is FAT and not FAT32.
5. Open the SD card drive where you will find several folders (language, theme, etc.) including the folder 'BOOT'. If the folder 'BOOT' does not exist, create it.
6. Copy the file downloaded from the Power-One website into the 'BOOT' folder and rename it as "boot.ben".
7. Remove the SD card reader from the PC following the safe hardware removal procedure, take the SD card out of the reader and put it back in the PVI-DESKTOP.
8. Switch the PVI-DESKTOP back on.

9. Navigate the menu to select firmware upgrade (ref. §5.2.).
10. On clicking next, the PVI-DESKTOP will start the upgrade procedure.
11. Once the new software has been read and loaded, a selection dialogue will appear on the screen. From this screen you can decide whether to install the new firmware, return to the previous version or cancel the procedure and keep the current firmware.
12. Wait until the PVI-DESKTOP finishes the installation operations to see the menu automatically reappear.

It takes several minutes for the process to conclude and the display will show a screen with the words "Boot..." during this time. This screen is completely normal and will automatically disappear at the end of the process.

8.4 USB 2.0 Driver installation

1. Download the latest release of the PVI-Desktop USB Driver at the following link: <http://www.power-one.it/digilab/Digi.aspx?Code=15>

The screenshot shows the Power-One website interface. At the top left is the Power-One logo with the tagline "Changing the Shape of Power". At the top right is a link for "RoHS Certificates & Updates". On the left side, there is a "Links" menu with options like Home, Digilab Staff, and a "Select Products" section listing various items like 3G29, Aurora, Aurora PVI Desktop, Debug Tools, i.Illumination, i.Illumination USA, Programming Tools, Tec. Controller, and Various Front-Ends. Below that is a "Reserved Area" with a list of roles. The main content area is titled "Aurora" and contains a "Tools" table. The table has columns for Name, Rev., Description, 64-bit, 32-bit, and Manual. The table lists "Aurora Communicator" (Rev. 2.9.3, Description: New Aurora Communicator (BETA), Download, Download, Download), "Aurora PVI Desktop Driver" (Download), and "USB Drivers" (AuroraSix - USB Driver Installation, Download). At the bottom of the page, there is a footer with navigation links (Admin | Resources | Universal Access | PATs | Z-Alliance), copyright information (© 2005 Power-One Copyright and Disclaimer), a disclaimer, and a credit to "Web Site Design by TSI".

power-one®
Changing the Shape of Power

RoHS Certificates & Updates

Links
Home
Digilab Staff

Select Products
3G29
Aurora
Aurora PVI Desktop
Debug Tools
i.Illumination
i.Illumination USA
Programming Tools
Tec. Controller
Various Front-Ends

Reserved Area
Admin
Digilab Staff
Marketing
Sales
Support

Aurora

Tools

Name	Rev.	Description	64-bit	32-bit	Manual
Aurora Communicator	2.9.3	New Aurora Communicator (BETA)	Download	Download	Download
Aurora PVI Desktop Driver				Download	
USB Drivers		AuroraSix - USB Driver Installation		Download	

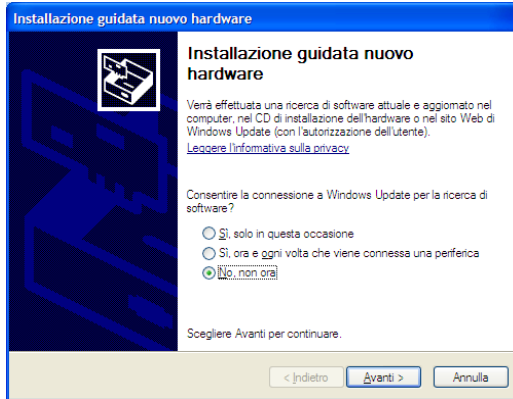
Admin | Resources | Universal Access | PATs | Z-Alliance
© 2005 Power-One Copyright and Disclaimer

All information listed on this web site, to the best of Power-One's knowledge, was timely and accurate when written. Please note that you should not rely on the continued accuracy of any material beyond the date of issuance and the passage of time can render such information stale. All viewers should carefully check the dates of issuance of the material contained on this web site.

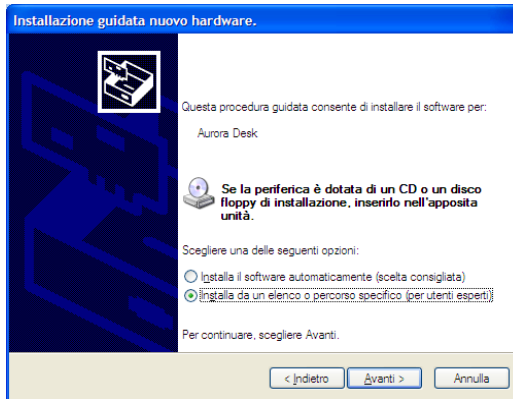
Web Site Design by TSI

2. Click on "Download" and save the AuroraPVIDesktop-inf.zip file in a convenient folder on the PC (in the following will be considered C:/).
3. Unzip the file: the contents will be:
mchpcdc.inf
mchpcdc.cat
4. Using the USB cable included in the PVI-Desktop box, connect the device to the PC.

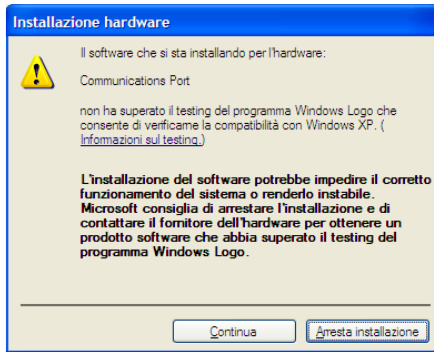
5. It's strongly recommended to connect directly the device to the PC. The usage of HUB or docking station could result in some installation problems. Make sure the PVI-DESKTOP is turned on.
6. The system will recognize a new hardware and will start the installation wizard. Select "No, not now" and click on Next>:



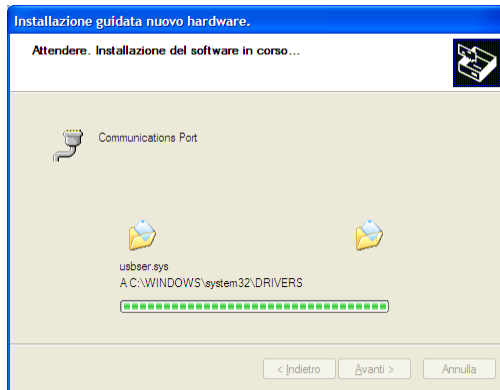
7. Select "Install from a specific path (advanced user)" and click Next>:



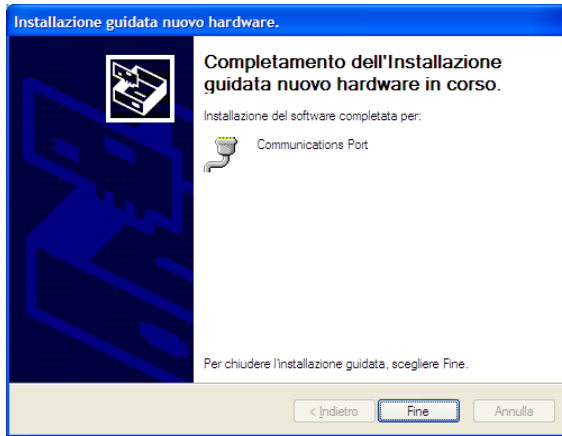
8. Include the folder where the driver are located (C:/) and click Next>.
9. When the following screenshot will appear, click on Continue.



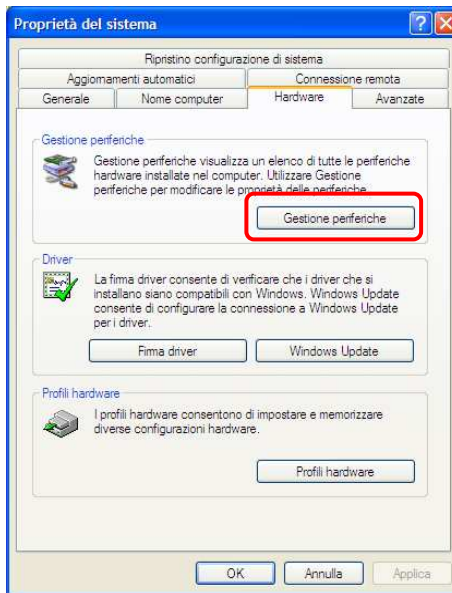
10. Let the system completing the drivers installation



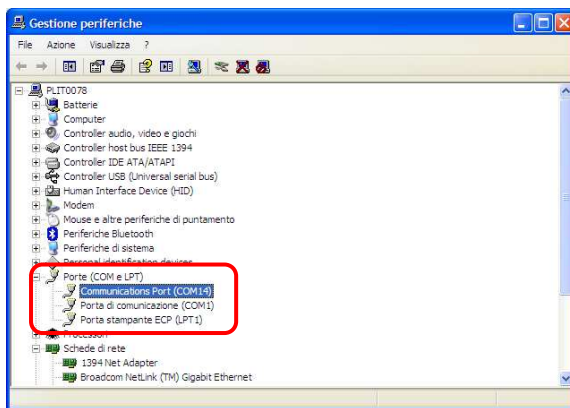
11. When the installation is completed click on Finish.



12. In order to check the correct installation of the driver open the Control Panel of the system, choose System and switch on the Hardware tab:



13. In the Ports (COM and LPT) section check the new COM port and note the COM port number (in the example Com 14):



9 COMPATIBILITY AND BEST USE

9.1 Operating system compatibility

The PVI-DESKTOP can be used on and is compatible with the following operating systems:

- Windows XP version 2002 (Home, Professional), Service Pack 3
- Windows 2000
- Windows 7

Further updates and compatibility with new operating systems can be seen on the website.

9.2 Compatibility with inverters

The use of wireless or wired connection requires that PVI-RADIOMODULE cards be inserted in the AURORA inverters or that they have an RS485 port. Current system compatibility is summarised in the following table

INVERTER model	Compatible with PVI-Radiomodule	Compatible with RS485	Notes
PVI-12.5	YES	YES	
PVI-10.0	YES	YES	
PVI-6.0	Units produced after week: wk32/09	YES	A firmware upgrade is necessary for previous inverters
PVI-5.0	Units produced after week: wk32/09	YES	A firmware upgrade is necessary for previous inverters
PVI-4.2	YES	YES	
PVI-3.6	YES	YES	
PVI-3.0	YES	YES	
PVI-3600 Indoor	YES	YES	Starting from version FW 11 of the PVI-RADIOMODULE
PVI-2000 Indoor	YES	YES	Starting from version FW 11 of the PVI-RADIOMODULE
PVI-3600 Outdoor	NO	YES	Starting from version FW 11 of the PVI-RADIOMODULE
PVI-2000 Outdoor	NO	YES	Starting from version FW 11 of the PVI-RADIOMODULE

9.3 Data management in the SD card

The data stored on the SD card are accessible and can be stored. The only folders containing important data for energy production are the ones identified by “System” and "SNxyyzz" which gather the actual data. The other folders hold information for the PVI-DESKTOP images, sounds and languages.

The structure of the folders on the SD card is shown below:

- THEME **
- LANGUAGE **
- SOUND **
- BOOT
- SYSTEM

- SNxxyyzz (1 folder for each field inverter)

The folders identified by ** are folders containing the PVI-DESKTOP's own data and must never be edited or deleted so as not to lose the device's operating efficiency. In the event of accidental editing or deletion a recovery copy of the SD card must be downloaded from the P1 portal.

The “System” and “SNxxyyzz” folders contain synchronised data and data stored daily; the files are in .xml format. The files marked by the name “DAYxxxx.xml” contain the daily graphs stored by the PVI-DESKTOP whilst the “DATA.xml” files contain the historical data contained in the inverters and downloaded by the PVI-DESKTOP during synchronisation. Deletion of “DATA.xml” simply means the PVI-DESKTOP will have to be re-synchronised with the inverters and the historical data restored. On the other hand deletion of “DAYxxxx.xml” causes the unrecoverable loss of the data for the day. It is advisable to save periodically (annually) to avoid the loss of data. For the meaning of the “BOOT” folder see paragraph 8.2.



WARNING: We strongly recommend you handle the files directly from the SD card without accessing them through Aurora Communicator. Any unintentional editing of the files on the SD card seriously jeopardises the object's operation. Always use the Aurora Communicator interface to process and save data.

Aurora Communicator can display the total daily and historical production data, and for each individual inverter of the photovoltaic field, on the PC. To do this just follow paragraph 8.1 to point 3 and then select the data registry key. The screen that appears will allow you to download the data and display them graphically.

10 TROUBLESHOOTING GUIDE

Some of the most common problems encountered, their possible causes and solutions are shown below:

Problem	Possible cause	Solution
The PVI-DESKTOP does not switch on	Battery completely flat	Attach the power supply provided and check the orange LED is lit. Try to switch it on
	Software failure	Attach the power supply provided

		and press the system reset key with the stylus pen.
The PVI-DESKTOP does not communicate by radio with the inverter	Radio out of range	Carry out a communication test at a shorter distance. If successful, review the positioning of the PVI-DESKTOP
The downloaded historical data are not aligned with the inverter's	Error in synchronisation due to firmware versions prior to 0.5.68	Upgrade the firmware to a later version. Delete the System folder in the SD card and restart the device. Synchronisation will be repeated and the data will be aligned.
The PC does not see the PVI-DESKTOP	Incorrect USB port	Check that the USB on the PC is USB 2.0.
	Drivers not installed	Install the USB drivers on the PC.
The daily graphs do not appear	Failed writing in the SD card	Check that the SD card is not read only. The SD card selector must not be in the 'Lock' position.
Failed configuration and non-recognition of the inverters	Wrong settings on the PVI-Radiomodule cards	At the configuration stage check that all the PVI-Radiomodule cards have the central LED flashing orange. See the PVI-Radiomodule manual

 YOUR LOCAL DISTRIBUTOR
SOLIGENT
800-967-6917
www.soligent.net