

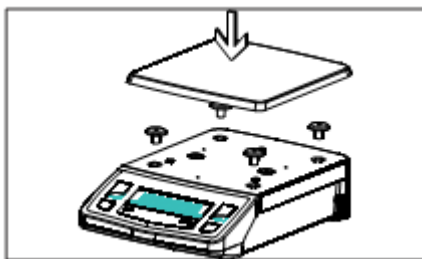
USER MANUAL: CITIZEN

MODEL: CG



Setting Up the balance

Place the components listed below inside the chamber in the order given :



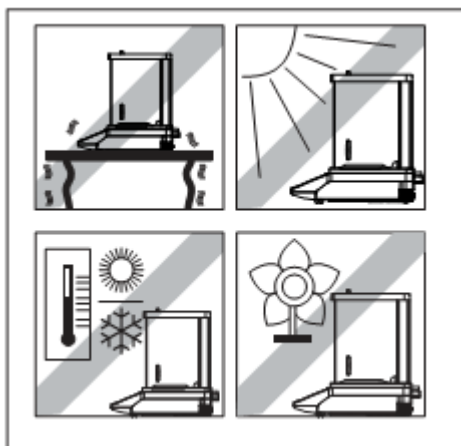
Rubber, pan

Location

The Optimun location

The correct location makes an important contribution to the accuracy of the weighing results of high-resolution analytical and precision balances.

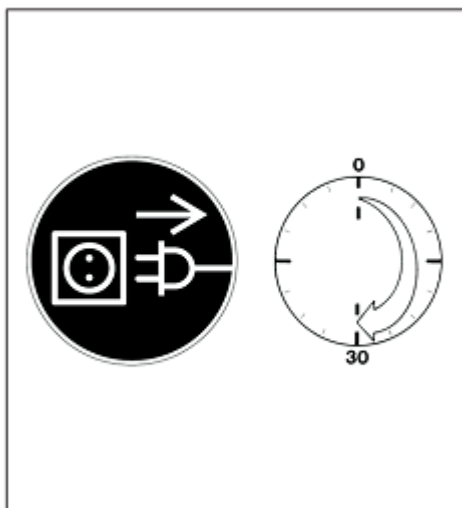
Avoid



- Direct sunlight
- Excessive temperature fluctuations,
- Drafts (Power-----Air Conditioning System, Fans can also cause drafts)

The best position is on a stable bench in a corner protected against drafts as far-possible from doors, windows, radiators or the ventilation slots of air conditioners.

Warm Up



Connecting Electronic Peripheral Devices

Make absolutely sure to unplug the balance from DC power before you connect or disconnect a peripheral device

Warmup Time

To deliver exact results, balance must warm up to operating temperature for at least below before the first weighing operation is carried out.

CG Analytical models: at least 30 minutes.

Key Functionality in simple weighing mode



Switch on & off



Tare, Confirm setting



Abort / Cancel



Calibrate (Adjust), call Menu



Print Weighing Result

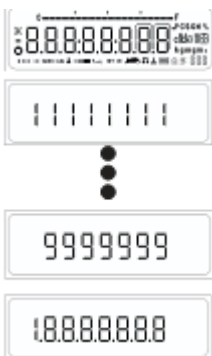
Power ON

Connect DC Adaptor and Power ON the balance

- It will display version number for software



- It will display numeric countdown
- It will display




- The system initialization process will begin with the display indicating the current progress. (INIT 1% to INIT 100%) it will enter stand by mode & display clock.




Stand by mode

- After Power ON and initial test balance will automatically come in stand by mode.



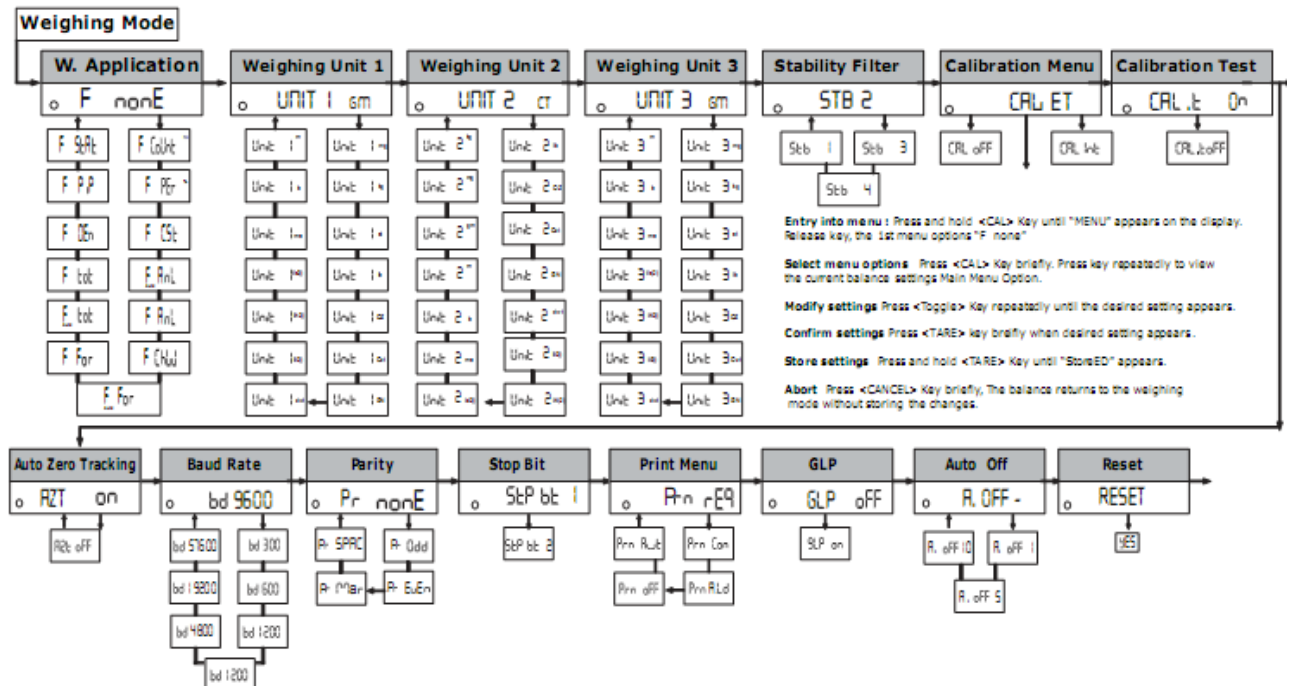
- Press  key to come to basic weighing



- Press  key in basic weighing to come back to Stand by Mode

Overview of Menu

In this menu, you can select unit 1, 2, 3 or Application Program, adjust the stability filter, Calibration choice, Auto Zero Tracking, automatic shutdown and print setting.



Time & Date Setting

In this menu, User can set the clock.

Clock setting consist of 2 settings, They are

TIME : In this submenu user can set the time in hours, minutes & seconds, AM, PM & 24 hrs.

DATE: In this submenu user can set the date, month & Years

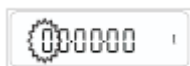
Operating Instructions

Press the PRINT key for 2 sec when coming out from stand by or Power on mode.



SET TIME

- Current Time is displayed with first digit flashing. Flashing digit indicates that digit value or place can be changed.



- Press Toggle key (▲) to change the value of the Flashing digit.
- Press CAL key (▶) to shift the flashing digit from Left to Right.
- After proper setting of time in hours, minutes & seconds respectively for zeroes starting from left, press tare key



- Press the PRINT key to change the format AM, PM & 24 hrs.

SET DATE

- Press TARE key “date” is display



- Press TARE key, current date is displayed with first digit flashing. Flashing digit indicates that digit value or place can be changed.
- Press TGGLE key (▲) to change the value of the Flashing digit.



- Press CAL key (▶) to shift the flashing digit from Left to Right
- After proper setting of date in day, month & year respectively for zeroes starting from left,
- Press TARE key to set the date

