

PTM132 & BBP132 | 5" Windshield Suction Mount



PTM132

CM018-KST-2



CC002-Palm



Compatibility: (not complete)

- Palm Treo 650 -HP iPAQ 6815 -XDA Atom Exec
- Palm Treo 680 -HP iPAQ 6818 -Dopod 818 Pro
- Palm Treo 700W -HP iPAQ 6828 -Dopod 810
- Palm Treo 700P -HTC P3600 -i-Mate JAMin
- Palm Treo 750 -HTC Neo



BBP132

CM018-KST-2

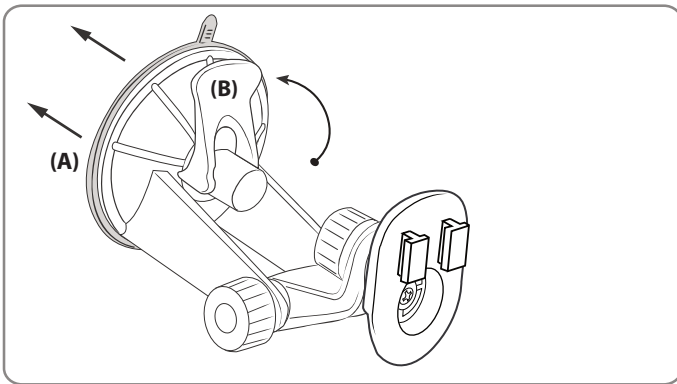


CC003-BBP



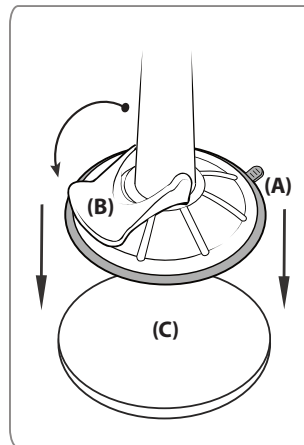
Compatibility:

- Blackberry Pearl 8100



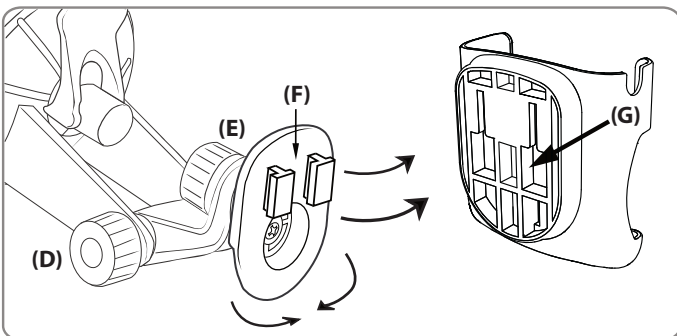
Windshield Installation

- Step 1. Push the pedestal suction cup (A) firmly to the windshield. Flip the lever (B) down to secure the suction cup.



Dash Installation (Optional, when disc is included)

- Step 1. Locate a safe flat surface on the dash or console to mount the pedestal. Clean the dash with the alcohol pad provided. Let the dash surface dry before applying the adhesive disc (C).
- Step 2. Push the pedestal suction cup (A) firmly to the disc (C). Flip the lever (B) down to secure the suction cup.



Pedestal and Dual-T Head Instructions

- Step 1. Adjust the angle of the arm by loosening the adjustment knob (D).
- Step 2. Adjust the angle and rotation of the pedestal head by loosening the swivel-tightening knob (E).
- Step 3. Attach the device cradle to the dual-T tab head (F) by inserting the T-tabs into the T-slots (G).

Safety Precautions

Do not install Arkon products over an air bag cover or within the air bag deployment zone. Arkon Resources, Inc. assumes no responsibility of liability for injury or death as a result of car crashes and/or air bag deployment.

Arkon Resources, Inc. is not responsible for any damages caused to your car, your device, or yourself due to the installation or use of the pedestal mount.

ARKON
RESOURCES INC.

The Mobile Mounting Specialists™

Consumer Hotline:
(USA) (800) 841-0884
(INT'L) (626) 254-9005
Mon-Fri. 9am-5pm, PST

www.arkon.com
Arcadia, CA 91006 USA
Made in Taiwan

© Copyright 2007 Arkon Resources, Inc.