

COBISS[®]

Co-operative Online Bibliographic System & Services

COBISS System Management
Metapace l-42DT User Guide

V1.0

VIF-NA-25-EN

Institute of Information Science, Maribor, Slovenia

IZUM[®]

© IZUM, 2015

COBISS, COMARC, COBIB, COLIB, IZUM are registered trademarks owned by IZUM.

CONTENTS

1	Introduction	1
2	Using the Metapace L-42DT printer	1
2.1	List of equipment	1
2.2	Printer description	1
2.3	Getting the printer ready	3
2.4	Connecting and installing the printer	6
2.5	Printer operation.....	6
2.5.1	Manual settings	6
2.5.2	Printer and LED indicator status.....	7
2.5.3	Label Utility tool.....	7
2.5.4	Media calibration	7
2.5.5	Network configuration with the use of the enclosed tool	9
2.5.6	Uploading images (library logo) to the printer	10
3	Printing preferences (for COBISS3 purposes)	11
4	Setting up logical destinations in COBISS3 software.....	13

FIGURES

Figure 1:	METAPACE L-42DT printer – outside	1
Figure 3:	Printer – inside	2
Figure 4:	Printer back view – cable connections.....	3
Figure 5:	Unified Label Utility-II tool	8
Figure 5:	Net configuration tool.....	9
Figure 5:	Selecting printer for network configuration	9
Figure 5:	Network parameters (<i>data is fictional</i>)	10
Figure 8:	Unified Label Utility-II tool (<i>image is symbolic</i>)	10
Figure 9:	PCX File Downloader (Unified Label Utility-II)	11
Figure 9:	Printing preferences (Page Setup, Dithering)	12
Figure 10:	Printing position settings (Horizontal Offset, Vertical Offset).....	12
Figure 11:	COBISS3 user interface.....	13
Figure 12:	Logical destinations editor.....	13
Figure 13:	Setting up logical destinations	14
Figure 14:	Detailed settings.....	14
Figure 15:	Refresh settings in the COBISS3 user interface	15

1 Introduction

The document demonstrates how the printer is used when working in the COBISS system (installing and connecting the printer, printer maintenance – replacing paper and ribbon, etc.).

2 Using the Metapace L-42DT printer

2.1 List of equipment

Basic equipment:

- printer (blue-grey, white)
- CD containing software, drivers and user manual
- USB cable (or another cable)
- AC adapter
- Power cord (220 V)
- Ribbon core

Optional additional equipment:

- external label holder
- knife
- label peel-off module

2.2 Printer description

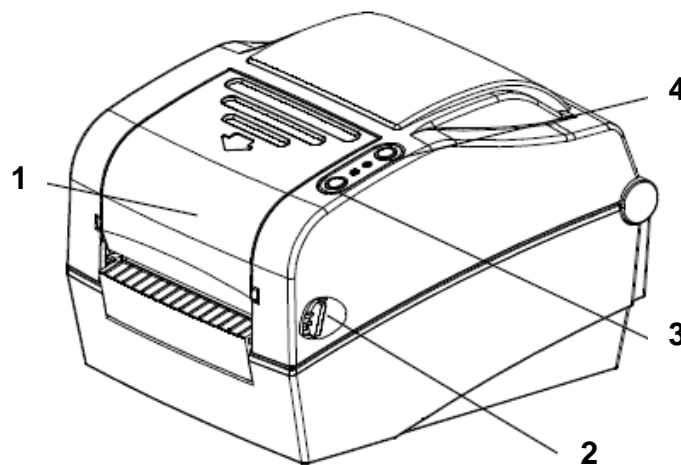


Figure 1: METAPACE L-42DT printer – outside

1. Clear plastic ribbon cover
2. Cover lever
3. FEED/CANCEL button for moving the label ribbon or aborting the operation
4. PAUSE button to pause printing

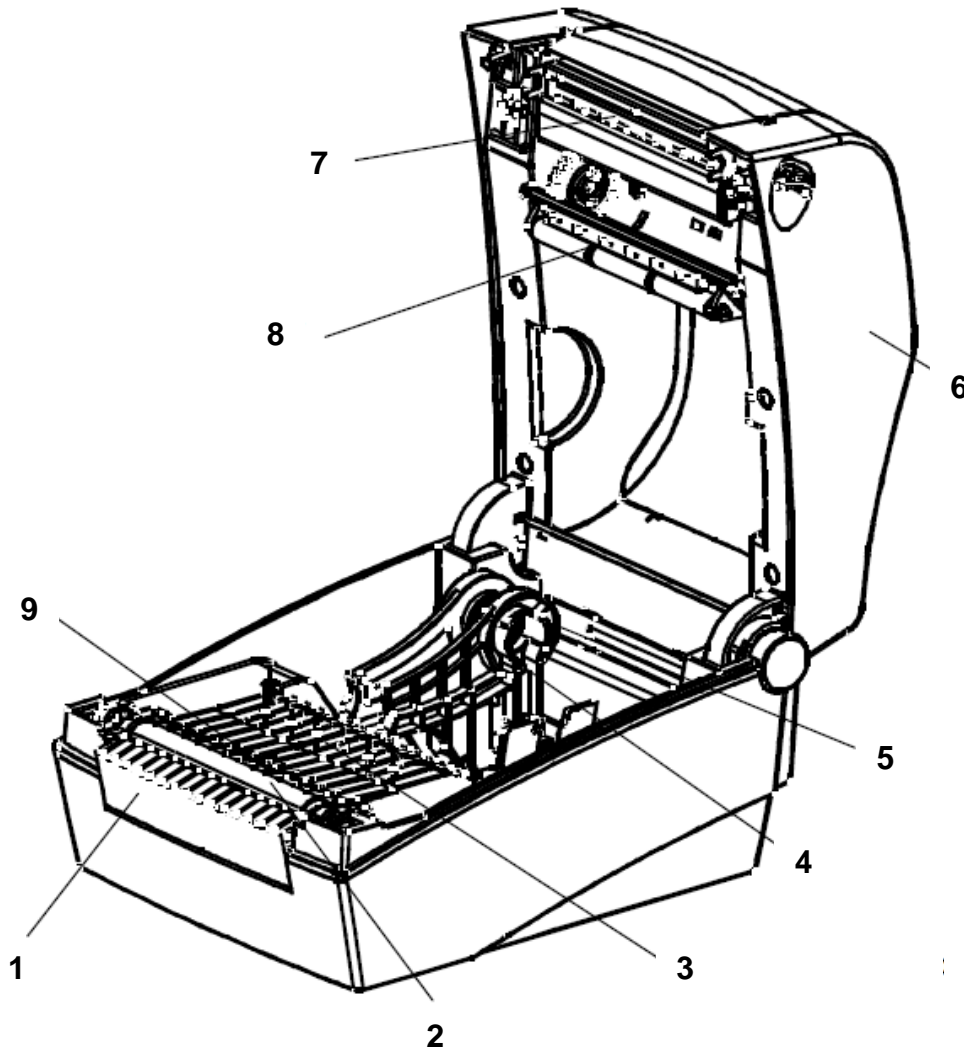


Figure 2: Printer – inside

1. Cover for accessories
2. Rubber roller
3. Lower gap sensor (receiver)
4. Paper holder
5. Paper fix tool
6. Paper cover
7. Printer head
8. Upper gap sensor (transmitter)

9. Black mark and notch sensor

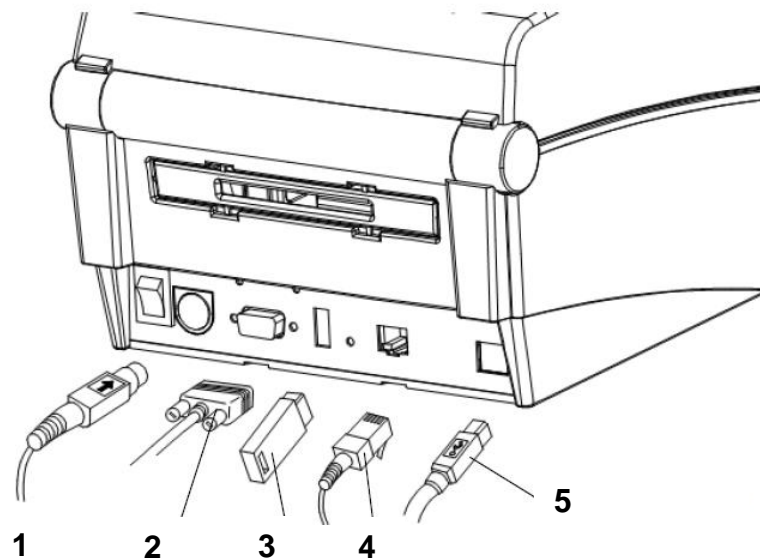


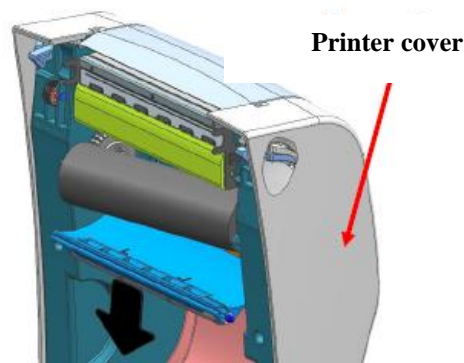
Figure 3: Printer back view – cable connections

1. Power connector
2. RS232C serial cable (to connect to computer)
3. USB-A interface (only to connect to wireless network interface)
4. Network interface (to connect to local network)
5. USB-B interface (to connect to computer)

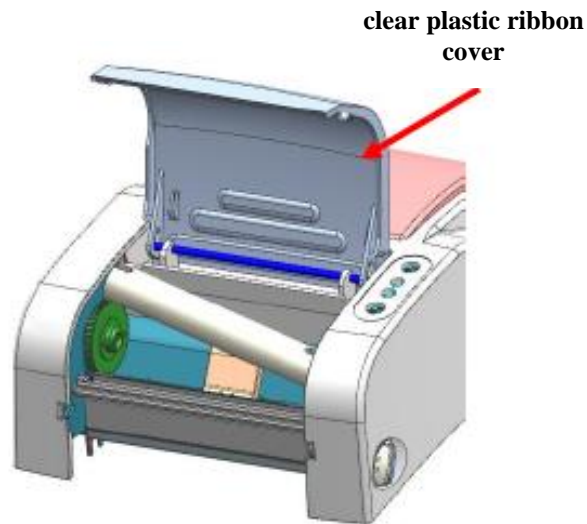
2.3 Getting the printer ready

Ribbon installation

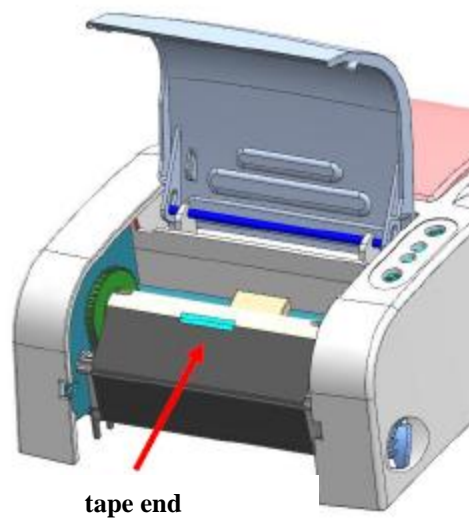
1. Open the paper cover and insert the ribbon by placing it to the spring fastening first (right).



2. Open the clear plastic ribbon cover by pulling in the direction indicated by the arrow on the cover and insert the core.



3. Insert the ribbon and attach it to the core.

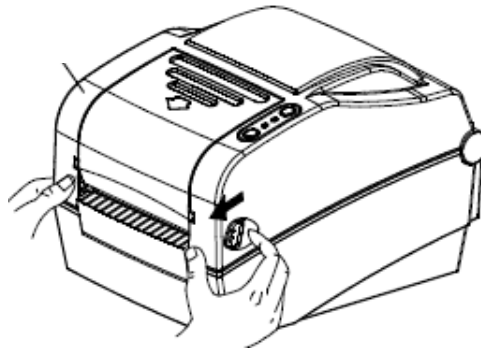


4. Use the cog to apply the blank part of the tape to the coiling portion of the ribbon.
5. Close both the ribbon cover and the paper cover.

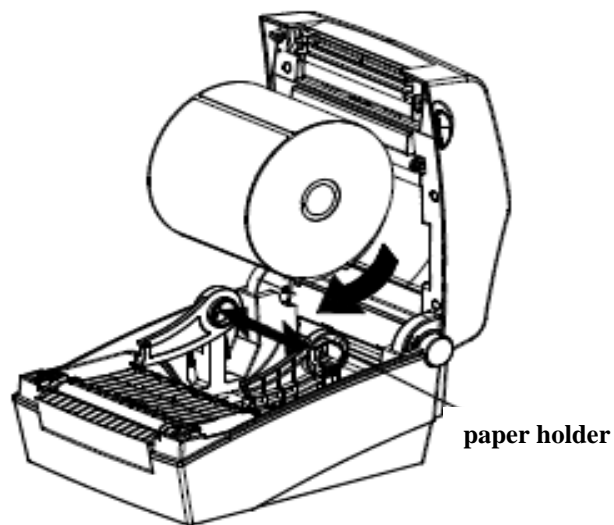
Label installation

1. Use the buttons on both sides of the printer to open the paper cover.

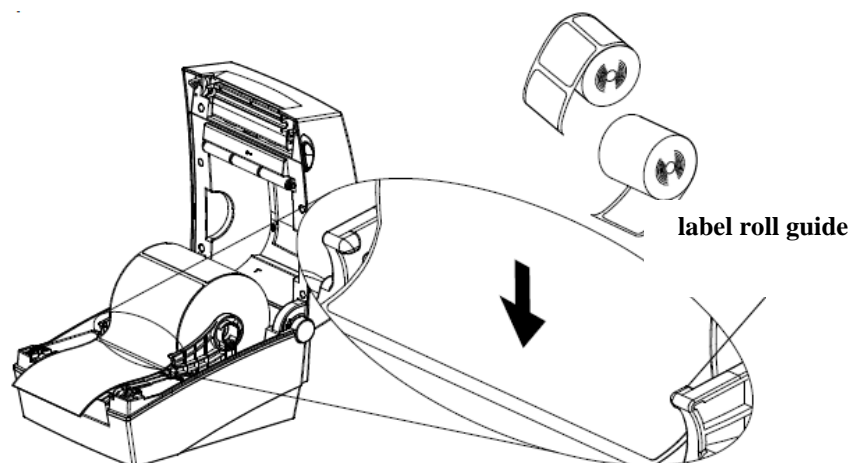
paper cover



2. Spread the paper holder and insert label roll.



3. When inserting the label roll, also push the end of the label roll under the label roll guides.



4. Close the paper cover.

2.4 Connecting and installing the printer

There are four ways to connect the METAPACE L-42DT printer and get it ready to work. To connect it to the computer, use the USB-B cable (enclosed) or the serial cable. To connect it to the network, use the network cable (RJ45). To use the printer with several workstations, it is recommended to connect it to the local network.

When installing the printer, use the drivers available:

- on the enclosed CD or
- at the following link: home.izum.si/cobiss/priporocena_oprema/metapace_7.3.8.exe.

The printer has two buttons: FEED/CANCEL and PAUSE, as well as two tricolour LED indicators. The LED indicators indicate different operation modes and also signal errors. Use the FEED/CANCEL button to move labels forward and start testing, calibration and configuration (factory default settings). Use the PAUSE button to pause printing.

If you need help when using the printer, call the call centre (02/2520 333) or send an e-mail to podpora@izum.si.

2.5 Printer operation

2.5.1 Manual settings

To change settings, use the FEED/CANCEL and PAUSE buttons and observe the LED indicators:

Printer state before operation	Button		Operation procedure	Printer operation mode
	FEED/CANCEL	PAUSE		
Power OFF	Press	-	Turn printer on. Hold the button until printer starts self-test printing.	Self-test Printing Mode
Stand by	Press	-	Press the button and release immediately.	Feed Mode
Stand by	-	Press	Press the button for two seconds.	Entry to Configuration Mode
During printing	Press	-	Press the button for two seconds and continue to hold.	Print Cancel Mode
During printing	-	Press	Press the button and release immediately.	Print Pause Mode

2.5.2 Printer and LED indicator status

LED 1		LED 2		Printer Status	
Colour	Status	Colour	Status		
Green	On	Green	On	Standby mode	Standby mode
Red	On	Red	On	Error mode	Ribbon is not detected
Red	On	Orange	On	Error mode	Labels – gap not detected
Red	On	Green	Blink	Error mode	Printer head overheating
Red	On	Red	Blink	Error mode	Paper cover open
Red	On	Orange	Blink	Error mode	No labels
Red	On	-	Off	Error mode	Media calibration failure
Red	Blink	Red	Blink	Error mode	Auto-Cutter error
Orange	On	Orange	On	Warning	Switch settings
Green	Blink	Red	On	Wait for input	Print is paused temporarily.
Green	Blink	Green	Blink	Wait for input	Cover Close Mode
Green	On	Red	Blink	Wait for input	Print Cancel Mode

2.5.3 Label Utility tool

The Label Utility tool can be found on the enclosed CD. Use it for the following functions:

1. serial communication settings (HandShake, Stop bit, Data bit, print rate),
2. basic printer settings (paper size, printing speed and density, paper type, use of ribbon),
3. language settings (code tables),
4. media sensor calibration (manual settings for materials), and
5. other.

More tips can be found on the enclosed CD in the United Label Printer Utility Manual ("Metapace_Label_Unified_Utility") in the "Utilities" folder.

2.5.4 Media calibration

The printer has been designed to recognise gaps between labels automatically. In order to do so, it will use up three labels when it prints for the first time. If it still does not recognise the gaps, the calibration function must be activated manually. During this procedure, the printer will:

1. adjust the label detection sensor and measure the actual length of the label;
2. adjust the gap detection sensor and measure the actual gap length between labels.

Media calibration is required when the printer is installed for the first time, when changing the label format and when the printer does not print in the designated printing space (print positioning is off).

How to run media calibration:

1. Enter manual calibration mode: when the printer is on, hold the PAUSE button for two seconds. Both LED indicators change colour from green to orange.
2. The colours of the LED indicators start to change and the required operation (i.e. calibration) is started when pressing the FEED button (LED 1 is orange, LED blinks green four times).

To learn more about calibration, consult the original user manual, chapter "5. Detailed features", page 20.

2.5.4.1 Media calibration with the use of the enclosed tool

Procedure:

1. Connect the printer via the desired interface (serial, USB or Ethernet).
2. Run "Unified Label Utility-II.exe" from the enclosed CD or download it from the website¹.
3. Select the installation interface and click the "Connect" button.



Figure 4: Unified Label Utility-II tool

¹ http://www.jarltech.de/2007/support.php?gotoartikel=metapace_l-42dt&sort=kategorie&language=en&kat_id=2200&link=2&supportdata=metapace_l-42dt-en

5. Select the printer and click "Setting". The window containing the net configuration will appear. You will receive the data for the printer from the local network administrator.

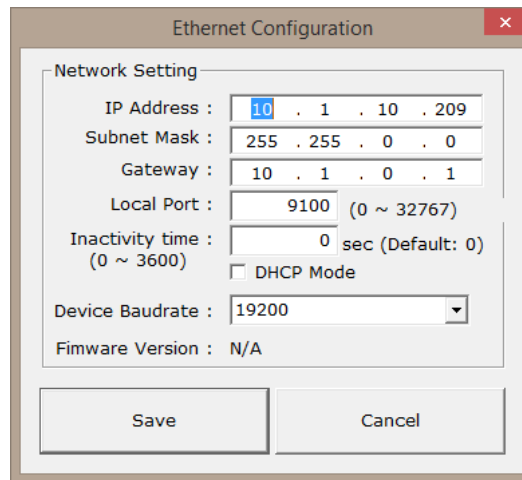


Figure 7: Network parameters (*data is fictional*)

2.5.6 Uploading images (library logo) to the printer

Procedure of uploading images to the printer:

1. Run “Unified Label Utility-II.exe” from the enclosed CD or download it from the website³.
2. Select the installation interface and click the "Connect" button.

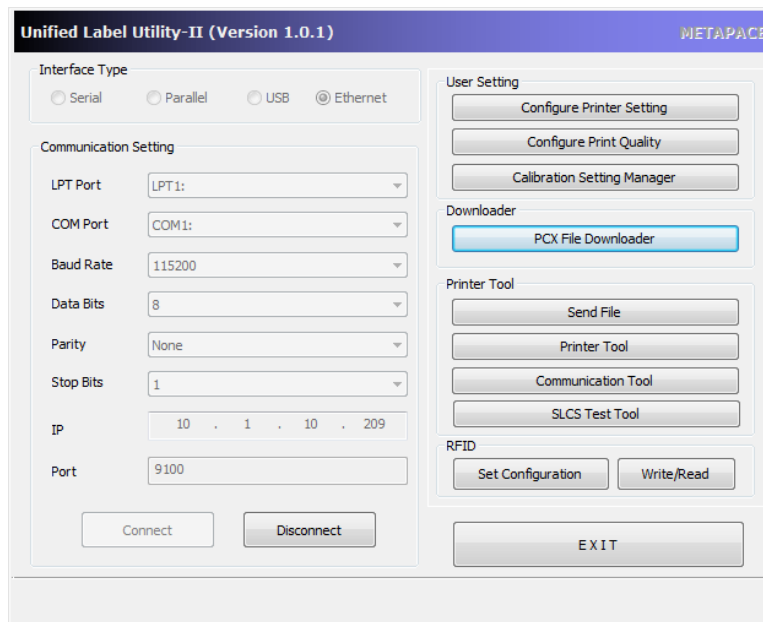


Figure 8: Unified Label Utility-II tool (*image is symbolic*)

³ http://www.jarltech.de/2007/support.php?gotoartikel=metapace_1-42dt&sort=kategorie&language=en&kat_id=2200&link=2&supportdata=metapace_1-42dt-en

3. Click the "PCX File Downloader" button and a new window will open:

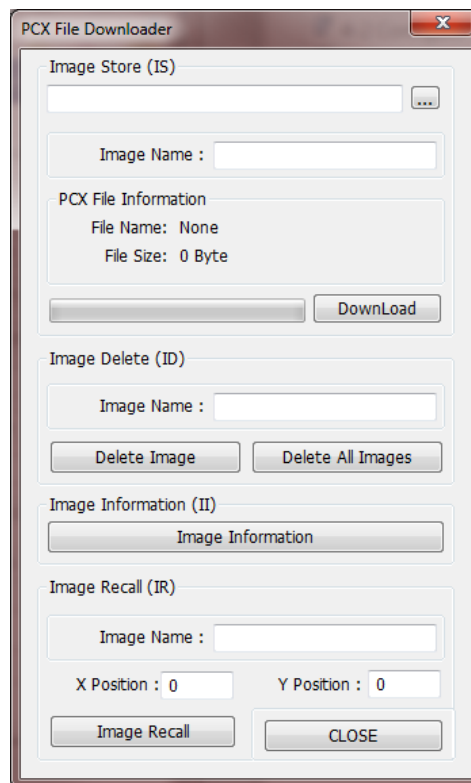


Figure 9: PCX File Downloader (Unified Label Utility-II)

4. Find and select the desired image file (*.pcx) and click "Download".

Deleting images: Instead of the "Download" button, use the "Delete Image" button.

3 Printing preferences (for COBISS3 purposes)

Once the printer driver is installed, you have to update the settings on the METAPACE L-42DT before you can start printing labels. To do so, go to **Control panel** and select **Devices and Printers**. All available printers will be displayed. Select the METAPACE L-42DT printer and right-click on it. From the additional options, select **Printing preferences**. On the first tab (**Page Setup**) set the label format by clicking on **New** and entering the label format (e.g. *USER (60.0 mm x 40.0 mm)*). Then select it as the default format. On the second tab (**Graphics**), you can set up dithering.

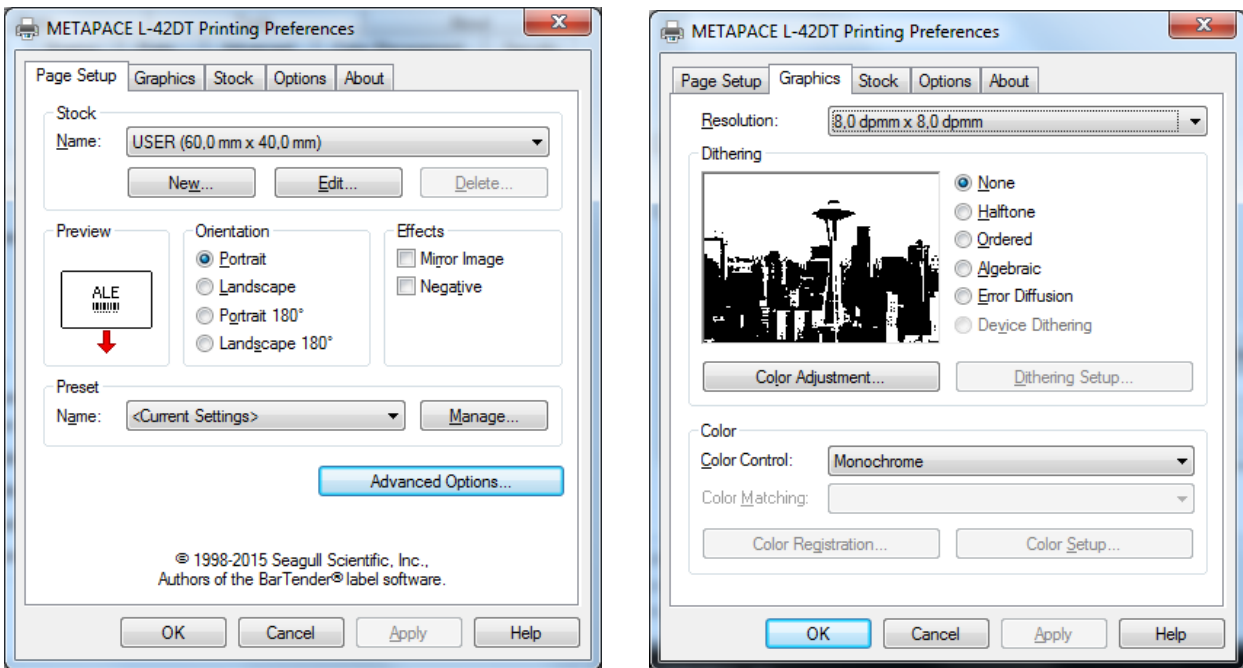


Figure 10: Printing preferences (Page Setup, Dithering)

If you click "Advanced Options..." you can set the printing position and correct the positioning of the printed text on the label.

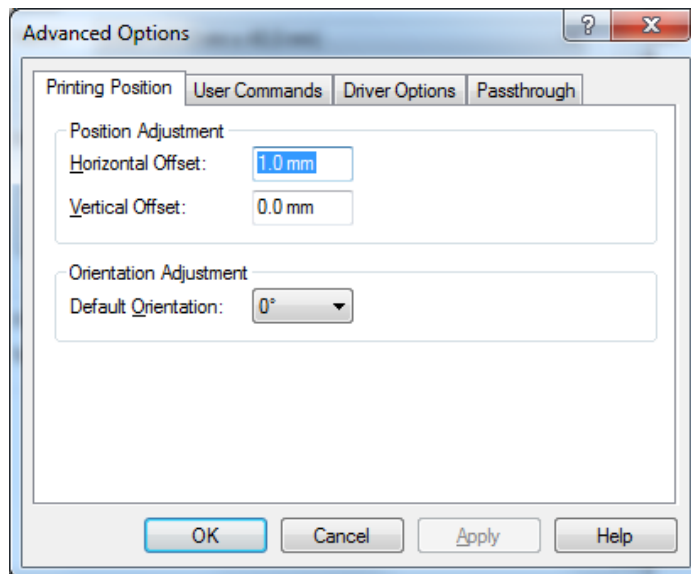


Figure 11: Printing position settings (Horizontal Offset, Vertical Offset)

4 Setting up logical destinations in COBISS3 software

In COBISS3, firstly select the printer you will be using for printing labels for material from the logical destinations. Select **System / Settings / Logical destinations** (see Figure 11).

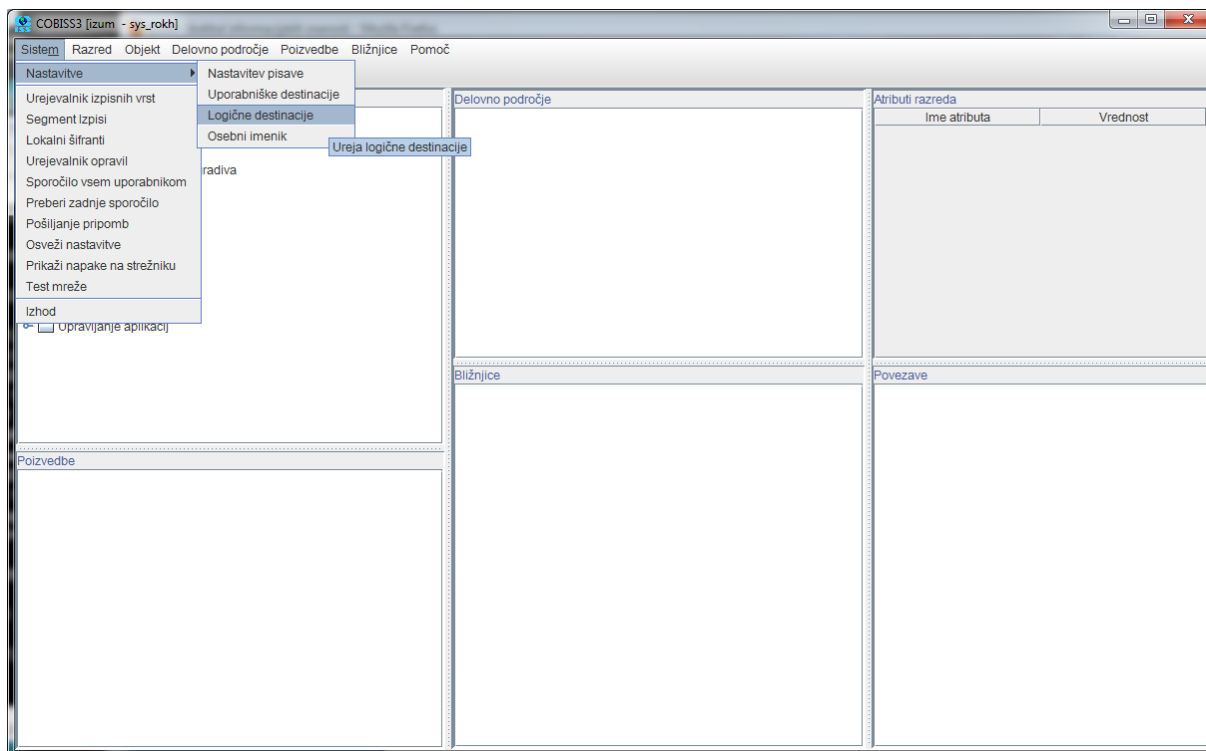


Figure 12: COBISS3 user interface

The **Logical destinations editor** window will open, where you select the option *Label – material: [default local printer]* and click the **Edit** button (see Figure 12).

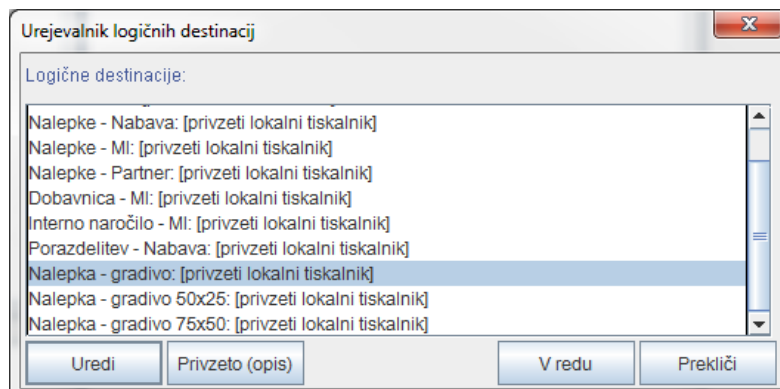


Figure 13: Logical destinations editor

The **User destinations** window will open, where you click the **Add printer** button. In the new window, select the *METAPACE L-42DT* printer, with which you will print labels for material, from the drop-down list (see Figure 13).

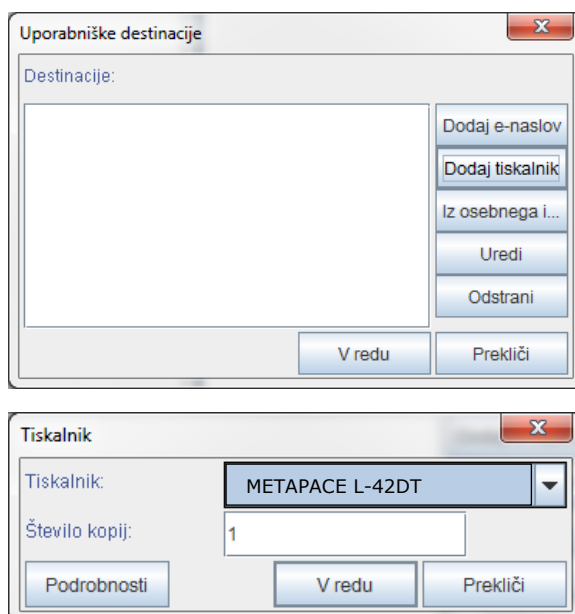


Figure 14: Setting up logical destinations

Once you select the printer, click the **Details** button to check if the detailed settings for this type of printer are correct (Figure 14):

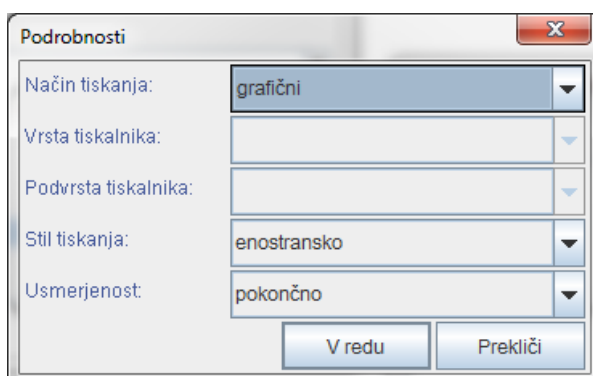


Figure 15: Detailed settings

When you define all the settings, confirm each selection by clicking the **OK** button. Finally, select **Refresh settings** in the **System** menu (see Figure 15). If this option is not available, refresh all new settings by logging out and then re-logging into the COBISS3 software.

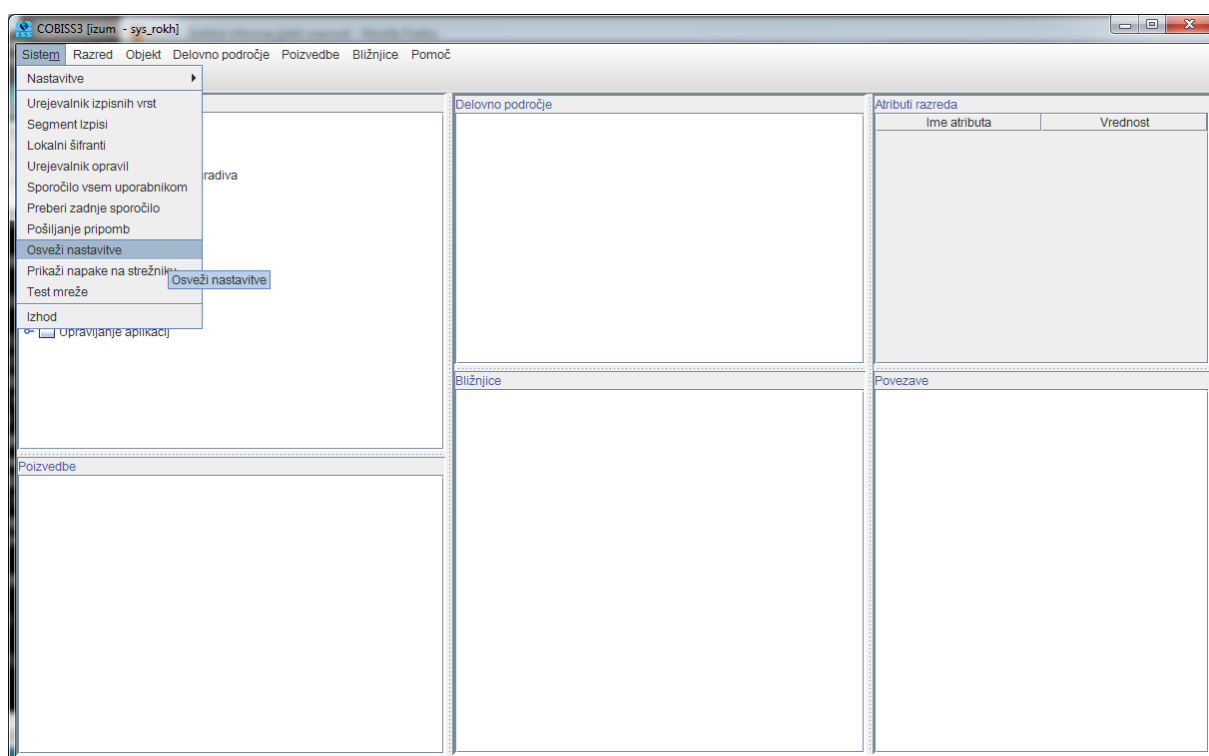


Figure 16: Refresh settings in the COBISS3 user interface