



---

English

---



# Rotary Lawnmower GR120

## User manual

### Congratulations!

On your purchase of your Black & Decker rotary lawnmower.

This user manual provides important operating and maintenance instructions for all of the non grass collecting rotary mowers in the Black & Decker GR120 range.

### Know your mower



Read all of this manual carefully, observing all the recommended safety instructions before, during and after using your mower, and maintain your mower in good working order.

Familiarise yourself with the controls on your mower before attempting to operate it, but above all, be sure you know how to stop your mower in an emergency.

Retain this user manual and all other literature supplied with your mower for future reference.

### Safety instructions

#### Training

- Never allow children or persons who are unfamiliar with this type of mower to use it, nor anyone who has not read this user manual.



Do not allow children, animals or other persons near your mower when in use - always keep them at least 6m (20ft) away from the cutting area.

- Remember that the operator is responsible for accidents or hazards occurring to other people or their property.
- Your mower is designed for use on AC (mains) electrical supplies only - do not attempt to use it on any other supply.
- Plug your mower into a power point - never a lighting socket.
- Never carry your mower by the cable or jerk the cable to separate the connectors. Keep the cable away from heat sources, oils or sharp edges. Check the condition of your cable before use and do not use if damaged.



#### Preparation

- To protect your feet, always wear stout shoes or boots - freshly cut grass is damp and slippery.



- Rubber or man-made footwear will enhance your safety.
- Do not operate your mower barefoot or in open sandals.
- Use protective equipment. Wear safety spectacles or goggles whilst operating your mower. Use ear protection if the sound level seems uncomfortable when using your mower.
- Use a face mask if dusty.
- Wear long trousers to protect your legs - any debris left on the lawn or cutting path may be picked up and ejected by the blades.
- The power supply cable should be regularly inspected for signs of damage or ageing, and only used if in good condition.
- Always keep the power supply cable away from the blades - be aware of its position at all times.
- Always be sure your mower is in a safe operating condition.



- Before using your mower, disconnect it from the electrical supply and visually check that the blade, blade nut and cutter assembly are not worn or damaged. A damaged blade or worn blade nut is a major hazard and must be replaced. Also check that the blade nut is securely fastened.
- Always check that your lawn or cutting path is clear of all sticks, stones, wire and other debris. Contact with such debris may be dangerous or may damage your mower and could be thrown by the blade.

#### Operation

- When tilting the handle downwards (or to the side) to start your mower, do not tilt it more than is absolutely necessary. Always ensure that both hands are in the operating position and feet are well away from the blades before returning your mower to the ground.



Your mower will continue to run for a short time after releasing the switch lever. Always allow your mower to stop on its own.

- Release the switch lever to turn your mower off and remove the plug from the mains:



## ENGLISH

- Whenever you leave your mower unattended.
- Before checking, cleaning, adjusting or working on your mower.
- Before clearing a blockage.
- If your mower starts to vibrate abnormally (check immediately).
- After striking a foreign object, inspect your mower for damage and make repairs as necessary.
- Never run your mower whilst lying on its side or attempt to stop the blade - always allow it to stop on its own.
- Do not put hands or feet near or under rotating parts.
- Keep clear of discharge openings at all times.
- Start your mower carefully according to the instructions and with your feet well away from the blade.
- Do not use your mower in the rain and do not allow it to get wet. Avoid using your mower in wet grass, if possible.
- Use your mower only in daylight or good artificial light.
- Do not pull your mower towards you or walk backwards when in operation.
- Do not cross gravel paths or roads whilst the tines are rotating.
- Always be sure of your footing, particularly on slopes.
- Always cut across the face of slopes, never up and down. Exercise extreme caution when changing direction on slopes.
- Do not cut excessively steep slopes and always wear non-slip footwear.
- Check the grassbag (if supplied) for wear or damage and replace if necessary. Never use your mower without the grassbag in place.
- Walk, never run. Do not force your mower.
- Never pick up or carry your mower while the motor is running.
- Ensure the blade has stopped rotating and take extreme care before lifting your mower for and during transportation.
- Never operate your mower with defective guards or shields.



### Maintenance and storage

- Store your mower in a dry place when not in use, out of the reach of children.

- Do not use solvents or cleaning fluids to clean your mower - use a blunt scraper to remove grass and dirt.
- Always disconnect from the electrical supply before cleaning.
- Do not operate your mower if any parts are defective; discard all defective parts and fit new parts before use.
- Keep all nuts, bolts and screws tight to be sure your mower is in a safe working condition.
- Use only Black & Decker recommended replacement parts and accessories.

Black & Decker's policy is one of continuous improvement to our products and, as such, we reserve the right to change product specifications without prior notice.

### Double insulation



Your mower is double insulated. This means that all external metal parts are electrically isolated from the power supply. This is achieved by placing an extra insulation barrier between the electrical and mechanical parts. Double insulation means greater electrical safety and obviates the necessity of having your mower earthed.

### Electrical safety (UK only)



Your mower should always be switched off at the mains before disconnecting any plug and socket connector or extension cables.

#### Fuse replacement

If your mower is supplied with cable fitted with a non-re-wireable plug:

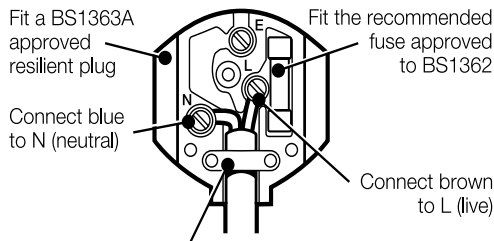
- The plug is fitted with a 5 amp fuse which is the recommended fuse for your mower.
- Only use replacement fuses which are approved to BS1362.
- When changing the fuse in your plug, always ensure the fuse cover is refitted. If the fuse cover is missing or damaged do not use the plug.

**Note:** Fuses do not give personal protection against electric shock.



### Plug replacement

- Disconnect the plug from the supply.
- Cut off the plug and dispose of immediately. Insertion of a detached plug into a 5 amp socket outlet may result in electric shock.
- Only fit BS1363A approved plugs fitted with the correctly rated fuse.
- The cable wire colours, or a letter, will be marked at the connection points of the plug (see below). Brown is for "Live" (L) and blue is for "Neutral" (N).
- Before replacing the top cover of the mains plug ensure that the cable restraint is holding the outer sheath on the cable firmly and that the two leads are correctly fixed at the terminal screws.



Make sure that the outer sheath of the cable is held firmly by the clamp



Warning! Never connect live or neutral wires to the earth pin marked "E" or  $\perp$ .

**Note:** Do not wire an extension cable directly into your mower yourself. Instead, take your mower to your nearest Black & Decker service agent.

Increased safety can be obtained by having a qualified electrician install a high sensitivity (30mA) circuit breaker in the house wiring.

If you do not have such a circuit breaker installed, or you do not wish to have one installed, then we strongly recommend that the electrical power to your mower be supplied through a high sensitivity residual current device (RCD). The RCD is designed to provide a high degree of personal protection against harmful electric current should fault conditions occur.



**Warning!** The use of an RCD or other circuit breaker unit does not release the operator of your mower from the safety instructions and safe working practices given in this manual.

### Handle assembly (Fig. A - E)

# A

Remove all the parts from the carton and familiarise yourself with the individual parts of your mower.

The main parts of your mower are your mower body (1) which houses the motor. Attached to your mower body are the front wheels (2) which incorporate adjustment for the cutting height and the rear roller (3). Pivot pins are built into your mower body to accept the handle.

The handle comprises the lower handle tube (20), the upper handle tube (21), switch box (22) with switch lever (23) and safety lock-off button (24), electrical supply cable (11), the cable clips (12) and the handle clamp assemblies (25), which each comprise a wing nut, spacer and bolt.

**Note:** The electrical supply cable should be positioned on the right hand side of your mower when viewed from the operating position. Ensure that this is not damaged or twisted before you begin to assemble your mower.

Assemble the lower handle tube (20) to your mower body (1), as follows:

- Compress the lower handle tube (20) and fit to your mower body (1).

# B

With the lower handle tube (20) in position, assemble the upper handle tube (21) to it, as follows:

- Place the upper handle tube (21) over the lower handle tube (20), aligning the holes in the upper handle tube (21) and the lower handle tube (20).
- Fit a bolt (26) through each hole and fit a wing nut (27), flat washer and lock washer to the bolt (26). Tighten each wing nut with firm pressure only.

# C

**Note:** Do not use a spanner or other implement to tighten the wing nuts.

- With the upper and lower handle tubes assembled, fit the switch box (22) to the upper handle tube (21), as follows:

**Note:** The switch box must be positioned on the right-hand side of your mower. Ensure that the electrical supply cable (11) is not twisted.

# E

- Locate the two pins on the switch box (22) with the holes in the upper handle tube (21).
- Fit the retaining plate (28) over the stem of the upper handle tube (21) and secure in position using the screws (29) provided.





## ENGLISH

**Note:** Do not overtighten these screws - light pressure will be sufficient to hold the switch box in position.

- Finally, using the cable clips (12) provided, secure the electrical supply cable (11) to the upper and lower handle tubes (20 and 21) (Fig. A).

### Fitting a new blade (Fig. F & G)



**Observe all the relevant warnings before changing the blade.**

**Warning!** Disconnect your mower from the electrical supply before changing the blade.

F

- The plastic blades are designed for safer mowing and can be used to maintain grass at the required length - they are not designed for heavy cutting.
- Assembly of the blades (35) to the blade carrier (38) is done by placing a blade onto the metal rivet in direction of arrow (A) and then pulling the blade in direction of arrow (B) until it fully snaps into position. Repeat for second blade.

G

- Two cable clips are provided. You may find assembly of the motor cable to these clips easier if the cable is attached to the clips first and then push the clips onto the handle tubes.

**Note:** Some mowers are fitted with a clutch washer, between the blade nut and the blade, which must be re-assembled at all times.

### Height of cut adjustment (Fig. H)

H

There are three cutting height positions on your mower.

These are selected by loosening the wing-nuts (36) on the front wheels (2) (Fig. H), moving the wheels to the required height position and re-tightening the wing-nuts (36).

**Note:** The three cutting height settings are indicated by raised mouldings on the underside of your mower body (1). Indicator plates (37), fitted to the rear of the bolts which pass through each front wheel, are provided as a guide to set the cutting height i.e. aligning the pointer on the indicator plate with the raised mouldings on the underside of your mower body. Both wheels must be set to the same height position to achieve a good finish on your lawn.

The three cutting height positions are as follows:

- Lowest setting. This is for use on dry grass less than 38mm (1½ inches) in height, on a flat lawn.

- Medium setting. This is for use on damp grass or grass between 38 to 65mm (1½ to 2½ inches) in height.
- Highest setting. This is for use on damp grass more than 65mm (2½ inches) in height, or where the lawn is not flat.

For grass more than 76mm (3 inches) high (i.e. at the beginning of the season) use your mower for short periods of time, then allow the motor to run for 2 to 3 minutes whilst your mower is stationary to allow it to cool down. If the motor suddenly stops during use, disconnect the power and check that the blade carrier is free to rotate and clean away cuttings if necessary.

### How to use your mower (Fig. J & K)



**Observe all the relevant warnings when using your mower.**

J

We recommend the directional method of operation to obtain the maximum cutting performance from your mower and to reduce the risk of the trailing extension lead from entering the cutting path.

- Place the bulk of the extension cable on the lawn close to the starting point (Fig. J, position 1).
- Hold the handle assembly with both hands.

Your switch box incorporates a cable restraint. To fix the cable to the restraint, proceed as follows.

- Bring the socket end of the extension cable from behind and connect it to your mowers plug (not GR120C).
- Form a loop on your extension cable close to the coupler.
- Push the loop through the slot from the opposite side of the restraint hook, position the loop over the hook and pull the cable back through the slot. Your cable will now be restrained.
- The extension cable should now fall away from your mower and behind the operator, ready for use.



**Warning!** Do not attempt to operate your mower with one hand - you must guide it with both hands.



- To start your mower press the safety lock-off button (24) on the switch box (22) (Fig. A), and whilst still depressed pull the switch lever (23) towards the handle. Your mower will start and you can now allow the lock-off button to be released and commence cutting.
- Proceed down the cutting area as shown in Fig. Ja, working from position 1 towards position 2 and, on reaching position 2, turn to the right and proceed towards position 3. Continue to the end of the cutting area, turn to the left, and proceed towards position 4. Continue in the same manner as shown in Fig. Ja, always working away from the cable. Do not adopt the method as shown in Fig. Jb, working towards the cable, as this is dangerous practice.

Your mower will continue to operate whilst you are depressing the switch lever. To stop your mower release the switch lever.

When you have finished using your mower we recommend that you clean all debris from it before putting it away. Refer to the "Care and maintenance" section.

**Note:** To obtain the best results cut your lawn or grassed area regularly and do not cut when the grass is wet.

- When cutting over the edge of your lawn, press downwards on the handle to stop the overhanging front wheels dropping over the edge.
- To prolong the effective cutting life of your blades, clear the lawn area of any loose debris and stones.
- If, when using the plastic blades, a blade comes in contact with an object such as a large stone, the blade is designed to break safely.
- If this occurs, disconnect from the electrical supply, remove the remainder of the broken blade and fit a new one. If only one blade needs to be exchanged, compare the length of the new blade with the remaining blade and if there is an excessive difference, fit two new blades.
- If your mower is abnormally noisy and vibrates, then it is probably due to one blade being shorter than the other. New blades are available from Black & Decker service agents.

## Handy hints

- On long grass, above 10cm (4 inches), use two cuts to get a close finish. We recommend that the first cut should be taken with the blade set at maximum height of cut and the second taken with it set at medium or close. This will prove to be easier and give a better overall finish to your lawn.

## Care and maintenance

The advice given in this section covers the general care and maintenance of the main body of your mower. Advice relating to the blades is given in "Maintenance of blades".



**Warning!** Do not use an extension cable which shows signs of damage. Fit a new cable completely - do not make any permanent or temporary repairs.

- Use the plastic blade system for maintaining your lawn. Do not use it for any heavy work.
- Always keep your mower clean and free from grass cuttings, especially the underside of the cutter deck and the air vents.
- Check all electrical cables at regular intervals, looking for signs of wear, abrasion or other damage.
- At the end of each cutting session we recommend that the build up of grass on the underside of the cutter cover is removed using a blunt scraper.
- Clean all plastic components with a damp cloth.

**Caution:** Do not use solvents or cleaning fluids as these may damage the plastic components of your mower.

## Fault finding

If your mower does not operate correctly, use the table below to locate the problem.



**Warning!** Always disconnect your mower from the electrical supply before carrying out any inspection.

Symptoms	Possible cause	Remedy
Motor buzzes but blade does not move.	Blade jammed.	Disconnect from the electrical supply. Remove obstruction from the blade.





## ENGLISH

Symptoms	Possible cause	Remedy
No noise and blade does not move.	Faulty electrical connection.	Disconnect from the electrical supply. Plug your mower into an alternative compatible electrical supply. Fit a new fuse. Re-tighten and check all electrical connections in extension cables. Re-set RCD in accordance with instructions.

### What to do if your mower needs repair

For after sales service please refer to the section 'Lawnmowers & Garden' within your local Yellow Pages.

### Unwanted products and the environment



Should you find one day that your mower needs replacement, or is of no further use to you, think of the protection of the environment. Black & Decker service agents will accept your old mower and will dispose of it in an environmentally safe way.

### Black & Decker lawn and garden guarantee

**This guarantee provides 36 months parts cover and 12 months labour (UK), 24 months parts cover and labour (Australia and New Zealand).**

In all cases proof of purchase will be required.

If your Black & Decker mower becomes defective, within the guarantee period, due to faulty materials and workmanship, we guarantee to either replace all defective parts, or at our discretion, replace your mower free of charge, provided that:

- Your mower is returned to one of our authorised repair agents with evidence of purchase.
- Your mower has been used within the parameters of its consumer classification.
- Your mower has not been used for hire purposes.
- Repairs have not been attempted by anyone other than our authorised repair agents.
- The failure represents normal wear and tear.

This guarantee is offered as an extra benefit and is additional to your statutory rights.

### Our guarantee policy

Failures due to the following are not covered:

- Replacing worn or damaged blades, nylon line and chains, or cables damaged during storage or use. These are regarded as replacement items which wear during normal usage.
- Failures as a result of sudden impact or obvious abuse.
- Failures due to usage not in accordance with instructions and recommendations contained in this manual.

The use of other than genuine Black & Decker accessories and parts may damage or reduce the performance of your Black & Decker mower and may render the guarantee void.

### Black & Decker after sales service (UK, Australia and New Zealand only)

Black & Decker offers a nationwide network of authorised service agents. The use of other than genuine Black & Decker accessories and parts may damage or reduce the performance of your Black & Decker product and may also endanger the user. The terms and conditions of the warranty may also be effected.

It is our aim that all Black & Decker customers should be totally satisfied with their Black & Decker product and after sales service, if help or advice is needed please contact a local Black & Decker authorised repair agent who will be happy to help. Full details of our after sales service can be obtained from any of our Black & Decker authorised repair agents.

### Other Black & Decker products (UK only)

Black & Decker has a full range of outdoor power tools that make life easy in the garden. If you would like further information on other products, please contact the Black & Decker Service Information Centre at the address towards the back of this manual, or contact your Black & Decker stockist.

<b>Lawnmowers</b>	<b>String trimmers</b>
<b>Chainsaws</b>	<b>Lawnrakers</b>
<b>Compost shredders</b>	<b>Leafbusters</b>
<b>Blade trimmers</b>	<b>Cordless brooms</b>
<b>Cordless trimmingsaws</b>	<b>Cordless shrubbers</b>
<b>Cordless shears</b>	<b>Hedgetrimmers</b>





## ENGLISH

### EC Declaration of Conformity

We declare that unit:

**GR120**

conforms to 98/37/EC, 89/336/EC, 73/23/EC,  
EN60335, EN55014, EN61000

A weighted sound pressure 72dB (A)

A weighted sound power 92dB (A)

Hand/arm weighted vibration  $<2.5\text{m/s}^2$

Brian Cooke

Director of Engineering  
Black & Decker Ltd, Spennymoor, County Durham  
DL16 6JG United Kingdom

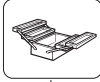




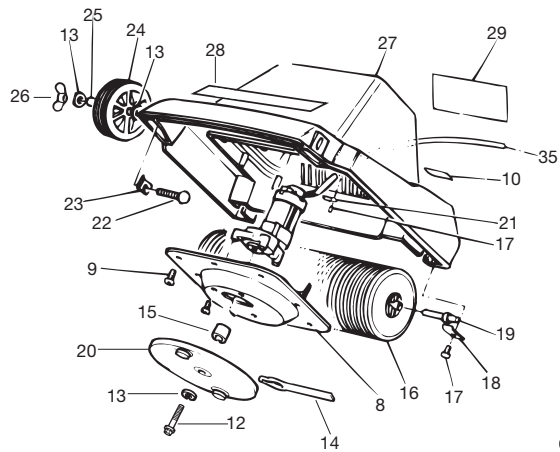
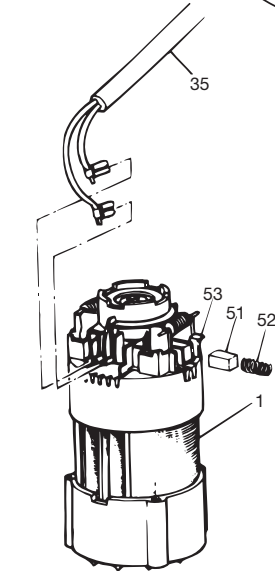
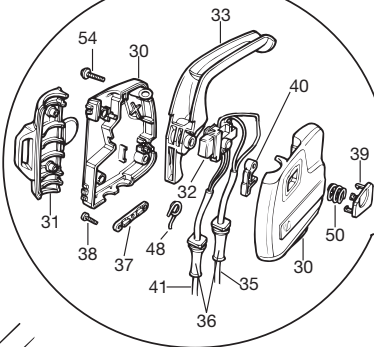
**BLACK & DECKER**

**GR120C**

TYP.  
3



836



E13058/375813-36

[www.2helpU.com](http://www.2helpU.com)

31 - 10 - 2000

©



---

<b>Australia</b>	DeWALT Industrial Power Tool Company 7 Clarice Road Box Hill, Victoria 3128	Tel. 03 9895 9200 Fax 03 9899 7465
<b>New Zealand</b>	Black & Decker 81 Hugo Johnson Drive Penrose, Auckland, New Zealand	Tel. 09 579 7600 Fax 09 579 8200
<b>South Africa</b>	Black & Decker South Africa (Pty) Ltd Physical address: 146 Lechwe Street Corporate park Randjiesfontein, Midrand Postal address: Postnet Suite 107, Private Bag X65 Halfway House 1685	Tel. (011) 653-1400 Fax (011) 653-1499
<b>United Kingdom</b>	Black & Decker 210 Bath Road Slough, Berkshire SL1 3YD	Tel. 01753 511234 Fax 01753 551155 Helpline 01753 574277

---



375813 - 36



Address of the dealer where your lawnmower was purchased:

Date of your purchase:

Name: \_\_\_\_\_

House number or name and street: \_\_\_\_\_

Town: \_\_\_\_\_

County or state: \_\_\_\_\_

Postcode: \_\_\_\_\_

Country: \_\_\_\_\_

Product catalogue number: **GR120/**\_\_\_\_\_

**Data protection act:** Tick this box if you prefer **not** to receive information from Black & Decker or other companies.

Yes

No





## GUARANTEE CARD

**South Africa:** Black & Decker South Africa (Pty) Ltd, Suite no 107, PostNet X65, Halfway House 1685

**United Kingdom & Ireland:** P.O. Box 821, Slough, Berkshire, SL1 3AR

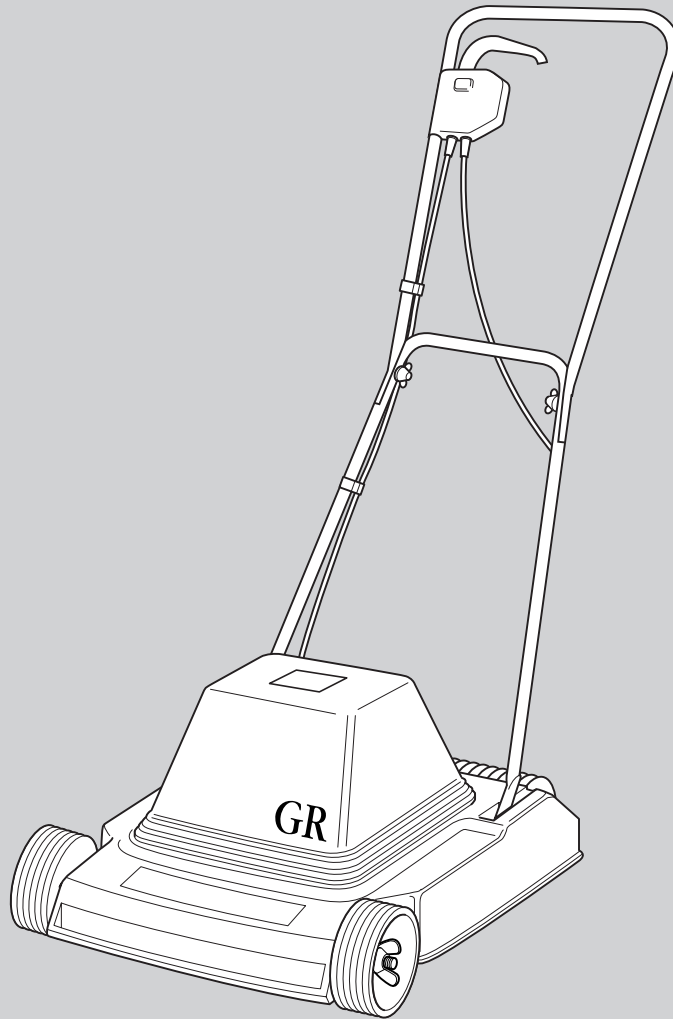


Please complete this section immediately after the purchase of your lawnmower and post it to the Black & Decker address in your country (above).

If you live in Australia or New Zealand, please register your purchase by using the alternative guarantee card.



 **BLACK &  
DECKER**®



**GR120**



A

