

WOODS

211718 LOADER MOUNTING KIT

For 1009, 1012 Loaders

On Mahindra® Tractors

2815, 3215

FWA

Includes Hose Kit

1014620

MAN0530

(6/30/2006)

**SAVE THIS
MANUAL!**

Include it with
your Loader Manual.
It contains safety,
operation, and repair
part information
not found in other
manuals.

WOODS®

Tested. Proven. Unbeatable.

INSTALLATION MANUAL

TO THE DEALER:

Assembly and proper installation of this product is the responsibility of the Woods® dealer. Read manual instructions and safety rules. Make sure all items on the Dealer's Pre-Delivery and Delivery Check Lists in the Loader Operator's Manual are completed before releasing equipment to the owner.

TO THE OWNER:

Read this manual and Loader Operator's Manual before operating your Woods equipment. The information presented will prepare you to do a better and safer job. Keep this manual handy for ready reference. Require all operators to read this manual carefully and become acquainted with all adjustment and operating procedures before attempting to operate. Replacement manuals can be obtained from your dealer. To locate your nearest dealer, check the Dealer Locator at www.WoodsEquipment.com, or in the United States and Canada call 1-800-319-6637.

The equipment you have purchased has been carefully engineered and manufactured to provide dependable and satisfactory use. Like all mechanical products, it will require cleaning and upkeep. Lubricate the unit as specified. Observe all safety information in this manual and safety decals on the equipment.

For service, your authorized Woods dealer has trained mechanics, genuine Woods service parts, and the necessary tools and equipment to handle all your needs.

Use only genuine Woods service parts. Substitute parts will void the warranty and may not meet standards required for safe and satisfactory operation. Record the model number of your equipment in the space provided.

Model: _____

Date of Purchase: _____

Provide this information to your dealer to obtain correct repair parts.

Throughout this manual, the term **IMPORTANT** is used to indicate that failure to observe can cause damage to equipment. The terms **CAUTION**, **WARNING**, and **DANGER** are used in conjunction with the Safety-Alert Symbol (a triangle with an exclamation mark) to indicate the degree of hazard for items of personal safety.



This Safety-Alert Symbol indicates a hazard and means **ATTENTION! BECOME ALERT! YOUR SAFETY IS INVOLVED!**



Indicates an imminently hazardous situation that, if not avoided, will result in death or serious injury.



Indicates a potentially hazardous situation that, if not avoided, could result in death or serious injury, and includes hazards that are exposed when guards are removed.



Indicates a potentially hazardous situation that, if not avoided, may result in minor or moderate injury.

IMPORTANT

Indicates that failure to observe can cause damage to equipment.

NOTE

Indicates helpful information.

WOODS®

ALITEC™
BMP®
CENTRAL FABRICATORS®
GANNON®
GILL®
WAIN-ROY®
WOODS®



SAFETY RULES

ATTENTION! BECOME ALERT! YOUR SAFETY IS INVOLVED!



¡LEA EL INSTRUCTIVO!

Si no lee Ingles, pida ayuda a alguien que si lo lea para que le traduzca las medidas de seguridad.

Safety is a primary concern in the design and manufacture of our products. Unfortunately, our efforts to provide safe equipment can be wiped out by an operator's single careless act.

In addition to the design and configuration of equipment, hazard control and accident prevention are dependent upon the awareness, concern, judgement, and proper training of personnel involved in the operation, transport, maintenance, and storage of equipment.

It has been said, "The best safety device is an informed, careful operator." We ask you to be that kind of operator.

INSTALLATION

- This Loader Mounting Kit is to be used only for the loaders and tractors specified in this manual. Any other use or modification of this mounting kit may result in serious injury or death.
- Hydraulics must be connected as instructed in this manual. Do not substitute parts, modify, or connect in any other way.
- After connecting hoses, check that all control lever positions function as instructed in the Operator's Manual. Do not put into service until control lever and equipment movements are correct.
- Safety instructions are important! Read all attachment and power unit manuals; follow all safety rules and safety decal information. (Replacement manuals and safety decals are available from your dealer. To locate your nearest dealer, check the Dealer Locator at www.WoodsEquipment.com, or in the United States and Canada call 1-800-319-6637.) Failure to follow instructions or safety rules can result in serious injury or death.
- Keep hands and body away from pressurized lines. Use paper or cardboard, not hands or other body parts to check for leaks. Wear safety goggles. Hydraulic fluid under pressure can easily penetrate skin and will cause serious injury or death.
- Make sure that all operating and service personnel know that if hydraulic fluid penetrates skin, it

must be surgically removed as soon as possible by a doctor familiar with this form of injury or gangrene, serious injury, or death will result. **CONTACT A PHYSICIAN IMMEDIATELY IF FLUID ENTERS SKIN OR EYES. DO NOT DELAY.**

- Check that all hardware is properly installed. Always tighten to torque chart specifications unless instructed otherwise in this manual.
- Air in hydraulic systems can cause erratic operation and allows loads or equipment components to drop unexpectedly. When connecting equipment or hoses or performing any hydraulic maintenance, purge any air in hydraulic system by operating all hydraulic functions several times. Do this before putting into service or allowing anyone to approach the equipment.
- Protective hose sleeves must cover all hydraulic hoses within 20 inches of the operator and be secured onto metal hose fittings. Replace hoses or sleeves if damaged or if protective sleeve cannot be properly positioned or secured.
- Make sure all hydraulic hoses, fittings, and valves are in good condition and not leaking before starting power unit or using equipment. Check and route hoses carefully to prevent damage. Hoses must not be twisted, bent sharply, kinked, frayed, pinched, or come into contact with any moving parts. Operate moveable components through full operational range to check clearances. Replace any damaged hoses immediately.
- Always wear relatively tight and belted clothing to avoid getting caught in moving parts. Wear sturdy, rough-soled work shoes and protective equipment for eyes, hair, hands, hearing, and head; and respirator or filter mask where appropriate.
- Do not modify or alter or permit anyone else to modify or alter the equipment or any of its components in any way.
- Do not allow bystanders in the area when operating, attaching, removing, assembling, or servicing equipment.
- Use a suitable lifting device of sufficient capacity. Use adequate personnel to handle heavy components.
- Keep all persons away from operator control area while performing adjustments, service, or maintenance.

211718 LOADER MOUNTING KIT

WARNING

■ Only use 211718 Loader Mounting Kit for mounting Woods 1009 and 1012 loaders on Mahindra® 2815 and 3215 tractors. Any other use or modification of these mounting kits may result in serious injury or death.

■ Safety instructions are important! Read all attachment and power unit manuals; follow all safety rules and safety decal information. (Replacement manuals and safety decals are available from your dealer. To locate your nearest dealer, check the Dealer Locator at www.WoodsEquipment.com, or in the United States and Canada call 1-800-319-6637.) Failure to follow instructions or safety rules can result in serious injury or death.

CAUTION

■ Always wear relatively tight and belted clothing to avoid getting caught in moving parts. Wear sturdy, rough-soled work shoes and protective equipment for eyes, hair, hands, hearing, and head; and respirator or filter mask where appropriate

IMPORTANT

■ This equipment must be assembled and installed on the customer's tractor by the Woods dealer. Dealer must thoroughly inspect equipment and complete each item on the PRE-DELIVERY CHECK LIST, DELIVERY CHECK LIST, and PRODUCT REGISTRATION before equipment is released to the customer.

■ Clean threaded holes in the tractor chassis thoroughly, using a tap of the proper size. Paint, rust, or debris in the threads may not permit cap screws to be installed and tightened correctly.

Tractor Preparation

For installing this mounting kit, references to right, left, forward, and rearward directions are determined from the operator's position in the tractor seat.

Leave all hardware loose until loader mount is completely assembled. When assembly is completed, torque hardware to specifications listed on page 8 of this manual.

1. Shut off engine and set parking brake during installation.
2. Remove the tractor front weights and front weight bracket, if equipped.

As a valued customer, Woods appreciates your comments. Once loader mount and hydraulic hoses have been installed, please take a few minutes to complete the Loader Mount Evaluation sheet that was supplied with this mount. Your comments will help us continue to bring you quality products.

4 Mount Installation

MAN0530 (6/30/2006)

Install Right and Left Rear Mounts

1. Using a lifting device, align right mount (1) with holes on tractor mounting pad.
2. Secure right mount to mounting pad using four cap screws (11) and hardened flat washers (13). See Figure 1 and Figure 2.
3. Secure mount to tractor frame using four cap screws (7) and hardened flat washers (13).
4. Repeat steps to install left rear mount (2).

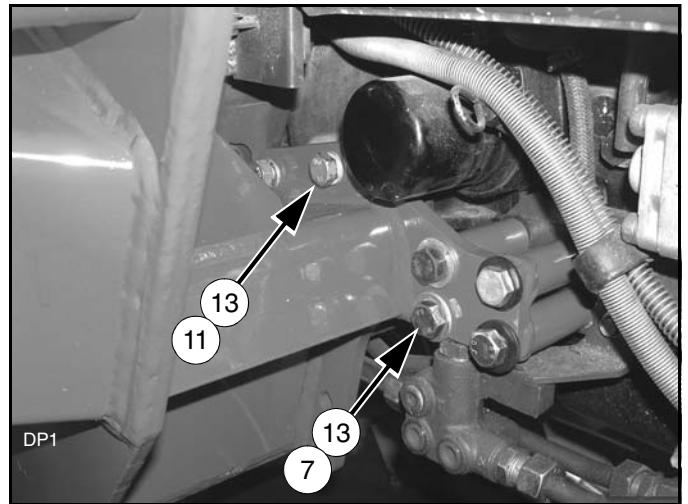
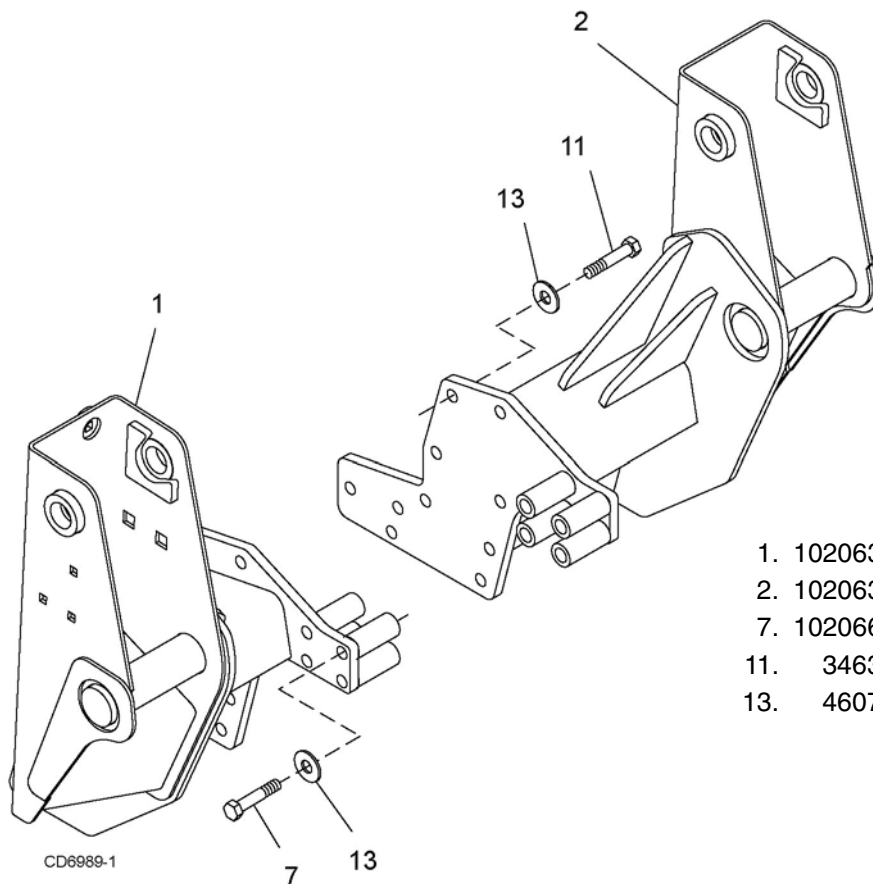


Figure 1. Right Rear Mount Installed



1. 1020638 Right rear mount
2. 1020639 Left rear mount
7. 1020669 M14 x 1.5P x 110 mm HHCS
11. 34635 M14 x 2.0P x 40 mm HHCS
13. 46070 9/16 Hardened flat washer

Figure 2. Right and Left Rear Mount Installation

Install Rear Axle Plates

1. Remove three bolts from lower axle housing.
2. Place axle plate (4) over axle housing and secure using two cap screws (8) and hardened flat washers (14) in the middle and rear holes.
3. Install cap screw (9) and hardened flat washer (12) in the front hole.
4. Repeat steps to install second axle plate on opposite of tractor.

- 4. 1020649 Axle plate
- 8. 307309 M12 x 1.75P x 60 mm HHCS
- 9. 32333 M10 x 1.25P x 50 mm HHCS
- 12. 44546 3/8 Hardened flat washer
- 14. 57816 1/2 Hardened flat washer

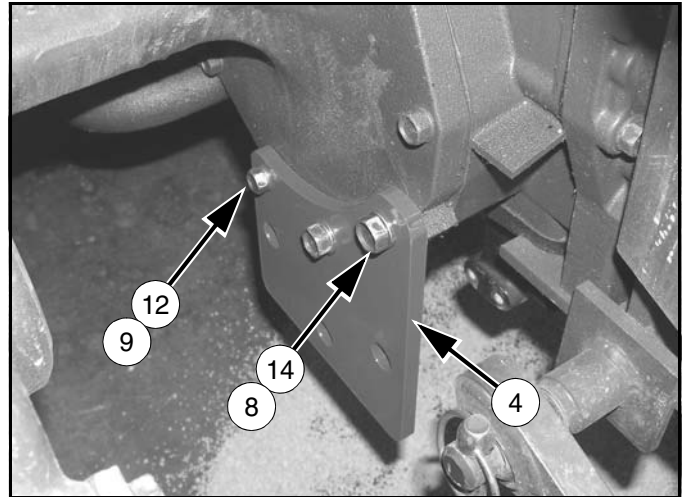


Figure 3. Axle Plate Installed, Left Side Shown

Install Rear Rails

1. Attach right rear rail (5) to the outside of axle plate on right side of axle housing using three cap screws (10), hardened flat washers (13), and hex nuts (15). See Figure 4.

NOTE: Rear rail should be on the inside of front mount.

2. Attach left rear rail (6) to the outside of axle plate on left side of axle housing using three cap screws (10), hardened flat washers (13), and hex nuts (15).

- 5. 1020650 Right rear rail
- 6. 1020651 Left rear rail
- 10. 33757 M14 x 2.0P x 60 mm HHCS
- 13. 46070 9/16 Hardened flat washer
- 15. 307825 M14 x 2.0P Hex nut

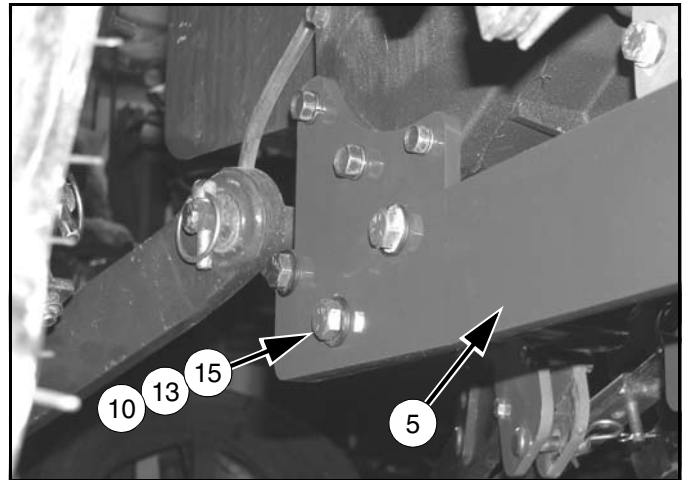


Figure 4. Right Rear Rail to Axle Plate Connection

Install Cross Brace

1. Place cross brace (3) between right (5) and left (6) rear rails and right (1) and left (2) rear mounts.
2. Secure parts together using six cap screws (10) (three per side), hardened flat washers (13), and hex nuts (15).

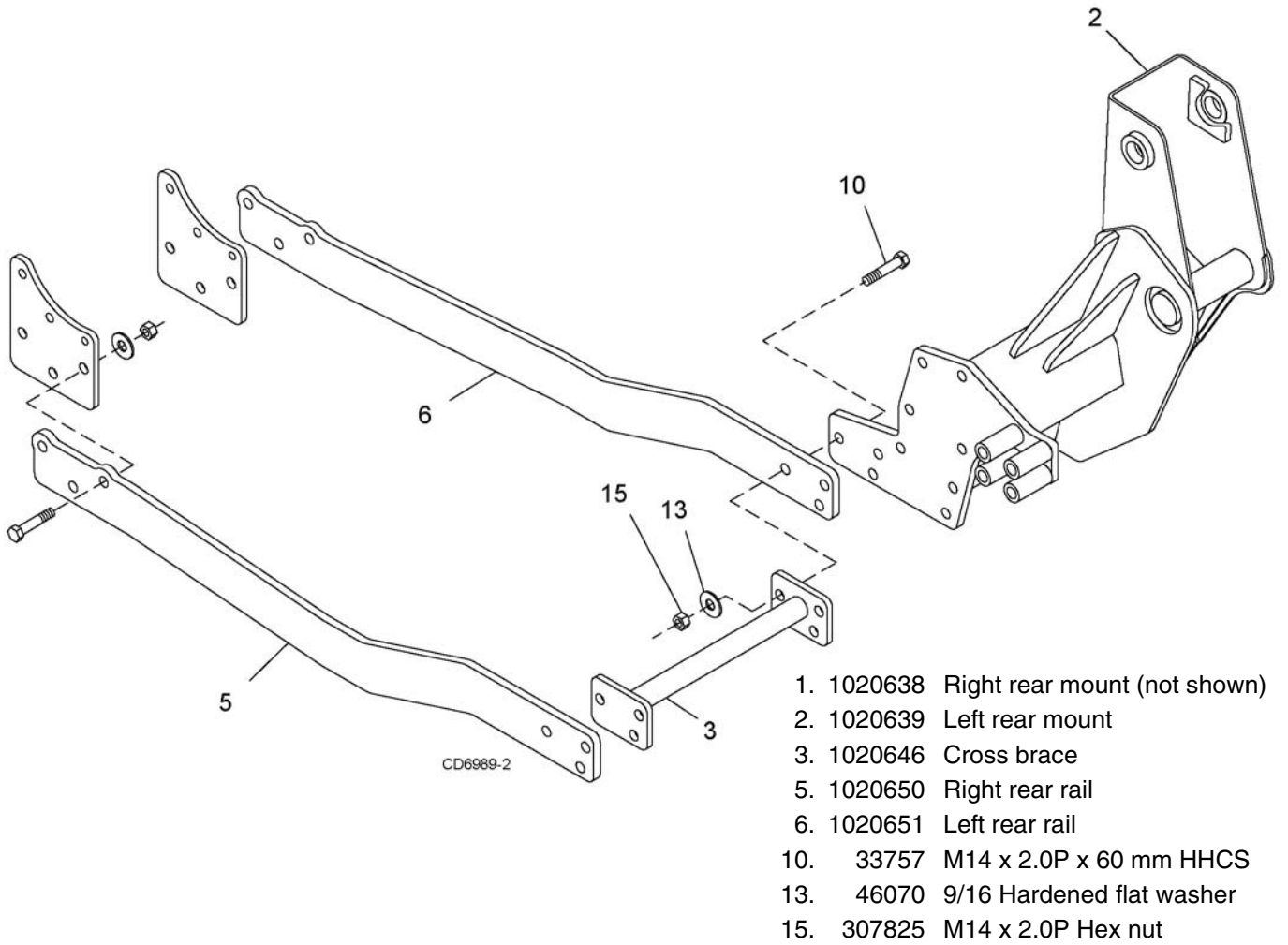


Figure 5. Cross Brace Installation

Torque Hardware

Torque hardware to specifications listed below.

TORQUE SPECIFICATIONS				
Ref	Hex Head Cap Screw	Qty	Wrench Size	Required Torque
7	M14 x 1.5P x 110 mm	8	21mm	87 lbs-ft (118 N-m)
8	M12 x 1.75P x 60 mm	4	18 mm	50 lbs-ft (68 N-m)
9	M10 x 1.25P x 50 mm	2	16 mm	30 lbs-ft (41 N-m)
10	M14 x 2.0P x 60 mm	12	21 mm	80 lbs-ft (109 N-m)
11	M14 x 2.0P x 40 mm CL109	8	21 mm	111 lbs-ft (151 N-m)

Install Grill Guard (Optional)

1. Align grill guard (16) with holes on front of tractor frame and secure into position using four cap screws (A) and hardened flat washers (B).
2. Torque to 50 lbs-ft.

16. 1021860 Grill guard -
(Includes hardware A & B)
- A. 62542 M12 x 1.75P x 30 mm HHCS
- B. 57816 1/2 Hardened flat washer

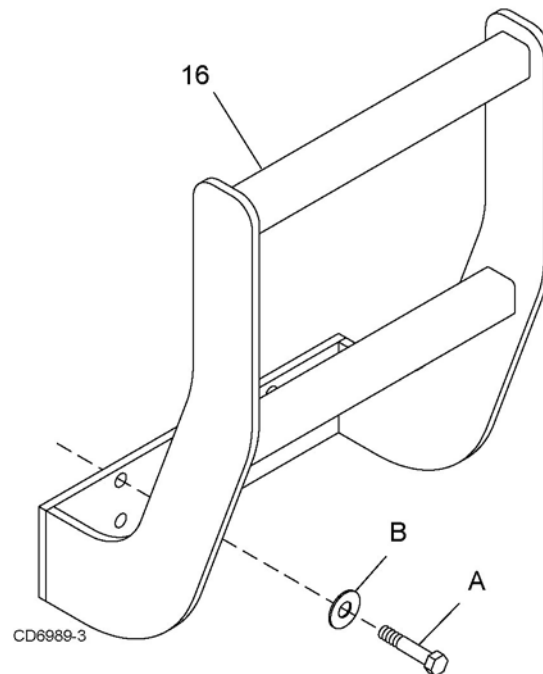


Figure 6. Grill Guard Installation

1014620 HOSE KIT INSTALLATION

WARNING

- Keep hands and body away from pressurized lines. Use paper or cardboard, not hands or other body parts to check for leaks. Wear safety goggles. Hydraulic fluid under pressure can easily penetrate skin and will cause serious injury or death.
- Make sure that all operating and service personnel know that if hydraulic fluid penetrates skin, it must be surgically removed as soon as possible by a doctor familiar with this form of injury or gangrene, serious injury, or death will result. **CONTACT A PHYSICIAN IMMEDIATELY IF FLUID ENTERS SKIN OR EYES. DO NOT DELAY.**
- Air in hydraulic systems can cause erratic operation and allows loads or equipment components to drop unexpectedly. When connecting equipment or hoses or performing any hydraulic maintenance, purge any air in hydraulic system by operating all hydraulic functions several times. Do this before putting into service or allowing anyone to approach the equipment.

WARNING

- Protective hose sleeves must cover all hydraulic hoses within 20 inches of the operator and be secured onto metal hose fittings. Replace hoses or sleeves if damaged or if protective sleeve cannot be properly positioned or secured.
- Make sure all hydraulic hoses, fittings, and valves are in good condition and not leaking before starting power unit or using equipment. Check and route hoses carefully to prevent damage. Hoses must not be twisted, bent sharply, kinked, frayed, pinched, or come into contact with any moving parts. Operate moveable components through full operational range to check clearances. Replace any damaged hoses immediately.

IMPORTANT

- If hydraulic lines are not connected as shown in this manual, the control valve may be damaged. A blocked outlet (RETURN) or improper hose connection will cause pressurized oil to enter the return circuit and damage the valve.

General Description

Completion of this hose kit installation requires connection to a Woods single-lever control valve, mounted to the right loader mount with a mounting bracket as shown in Figure 14.

Mount control valve to loader mount before proceeding.



Figure 14. Single-Lever Control Valve

Install Hydraulic Fittings to Tractor

IMPORTANT

■ **Incorrect installation can damage tractor hydraulic system. Read and understand instructions in tractor manual before connecting.**

1. Locate the hydraulic manifold block on the right side of the tractor chassis, below and in front of the operator's platform.
2. Remove three hex head pipe plugs from manifold block ports.

NOTE: Use thread sealant on all pipe thread connections and tighten securely to prevent leaks.

3. Install adapters (2) and elbows (3) into the T (RETURN), N (PBV), and P (PRESSURE) ports on the hydraulic manifold. See Figure 16.
4. Position elbows to point up and slightly to the front.

2. 315045 Adapter, 3/8 BSPTM x 3/8 NPTF
3. 44552 Elbow, 3/8 NPTM x 9/16 JICM 45°

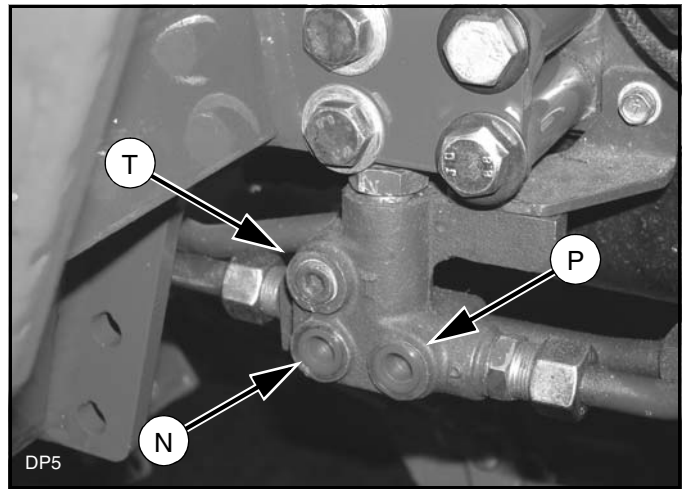


Figure 15. Tractor Hydraulic Manifold

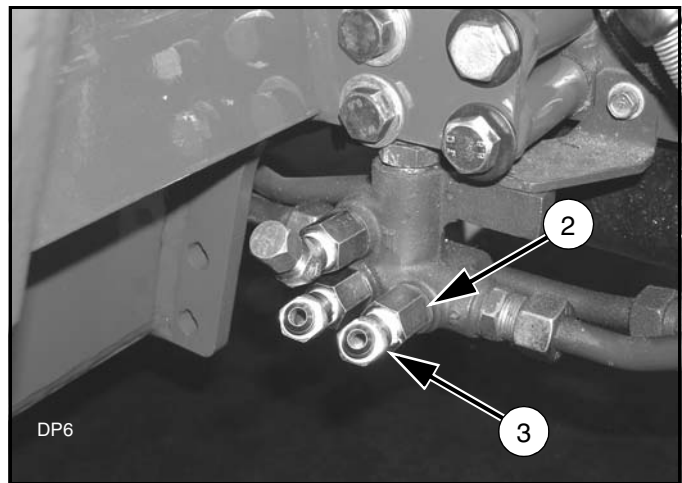


Figure 16. Hydraulic Fittings Installed

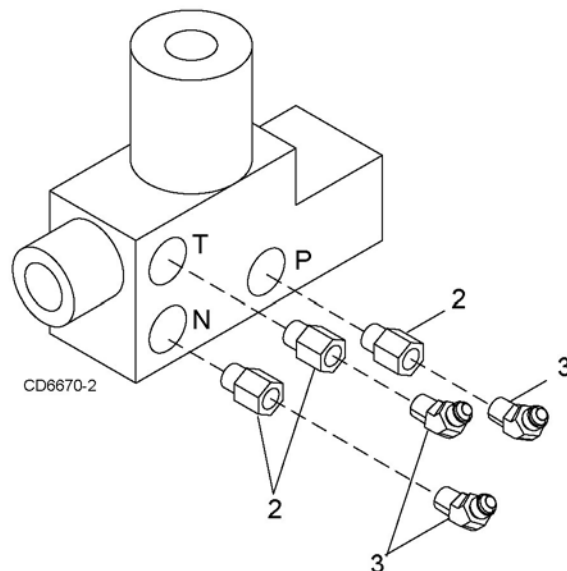


Figure 17. Hydraulic Fitting Installation

Connect Hydraulic Hoses

1. Remove hydraulic fitting from the PBY port on the control valve.
2. Install elbow (4) into PBY port.
3. Connect end of hose (1) to the IN, OUT and PBY ports on the control valve.
4. Route hoses along inside right loader mount.
5. Connect hose (1) from the IN port on the control valve to the (P) port on the hydraulic manifold.
6. Connect second hose (1) from the OUT port on the control valve to the (T) port on the hydraulic manifold.
7. Connect third hose (1) from the PBY port on the control valve to the (N) port on the hydraulic manifold.

1. 1014619 Hose, 36" x 9/16 JICF x 9/16 JICF
4. 63558 9/16 JICM x 9/16 ORBM 90°

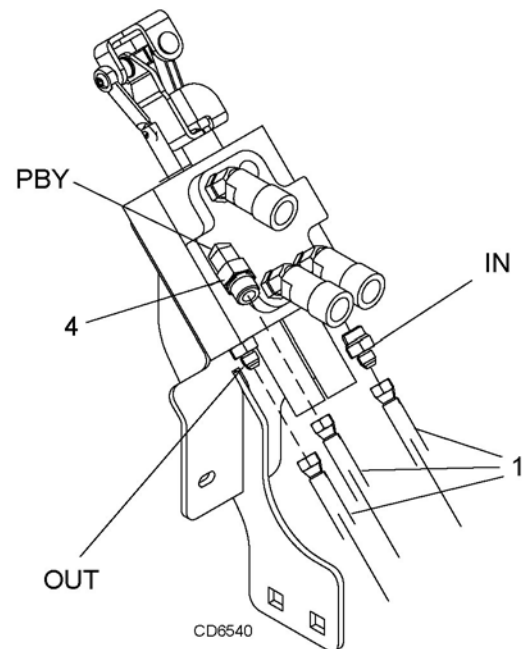


Figure 18. Hydraulic Hose Installation - Control Valve

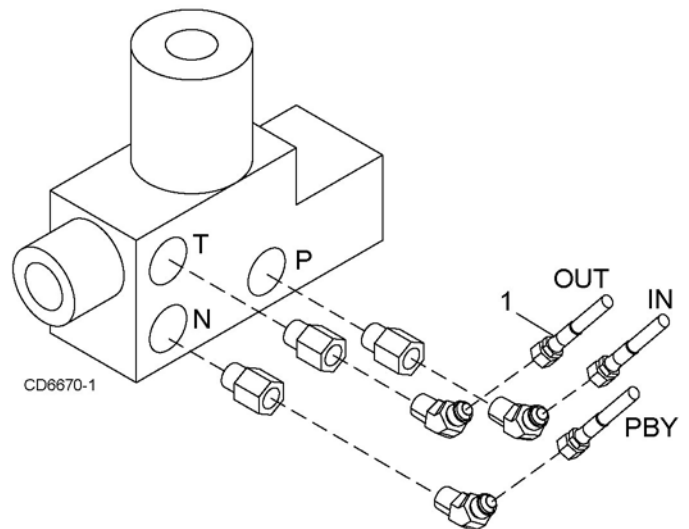


Figure 19. Hydraulic Hose Installation
Hydraulic Manifold

Connect Work Port Hoses

1. The control valve kit contains hoses assembled with quick couplers. Attach the hoses to loader feedlines, following the color scheme shown in Figure 20.

2. Connect loader feed hoses to control valve hydraulic couplers when attaching loader.

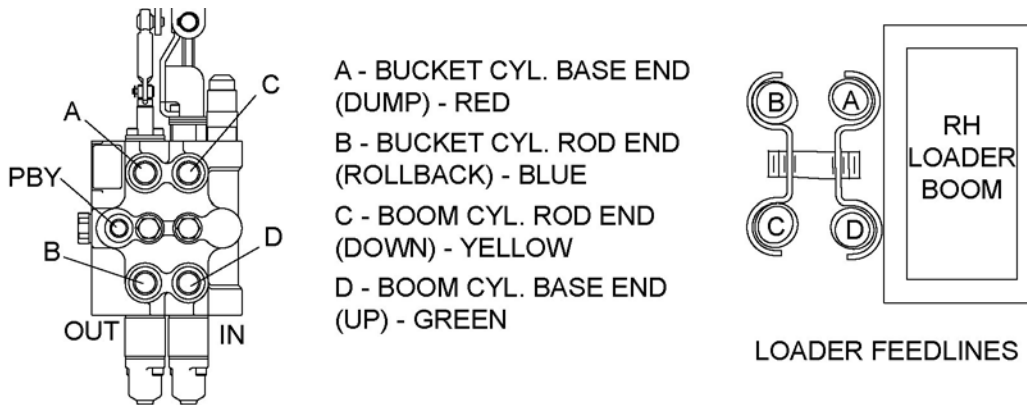
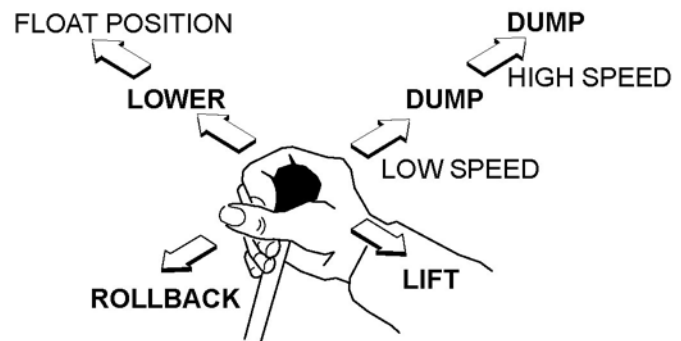


Figure 20. Control Valve and Loader Feedline Connections

Verify Control Movements

1. **Mount loader to tractor:** Remove mount pins from loader uprights. Align tractor with loader and slowly drive tractor into loader. Shut off tractor.
2. Connect loader feedline hoses to the loader control valve quick couplers. See Figure 20.
3. Comply with all safety rules and start the tractor.
4. Mount loader to tractor by activating bucket cylinders to raise or lower the loader uprights into the loader mounts. Slowly drive tractor forward, activating appropriate cylinders to engage loader completely into mounts. Insert mounting pins to secure loader.
5. Check that all tractor hydraulic control lever positions operate the loader movements correctly. See Figure 21.
6. If loader movements do not respond correctly, shut off tractor, relieve pressure, and reconnect properly. Loader control movements must be correct before proceeding.
7. Once all loader functions are correct, start the tractor and operate the loader to check for leaks. Purge any remaining air from the hydraulic system and check oil level.
8. When hose routings and correct loader operations are verified, identify each circuit by placing a matching colored band around the male and female quick-disconnect coupler. The color-coded bands will make reinstallation easier when the loader is removed from the tractor.

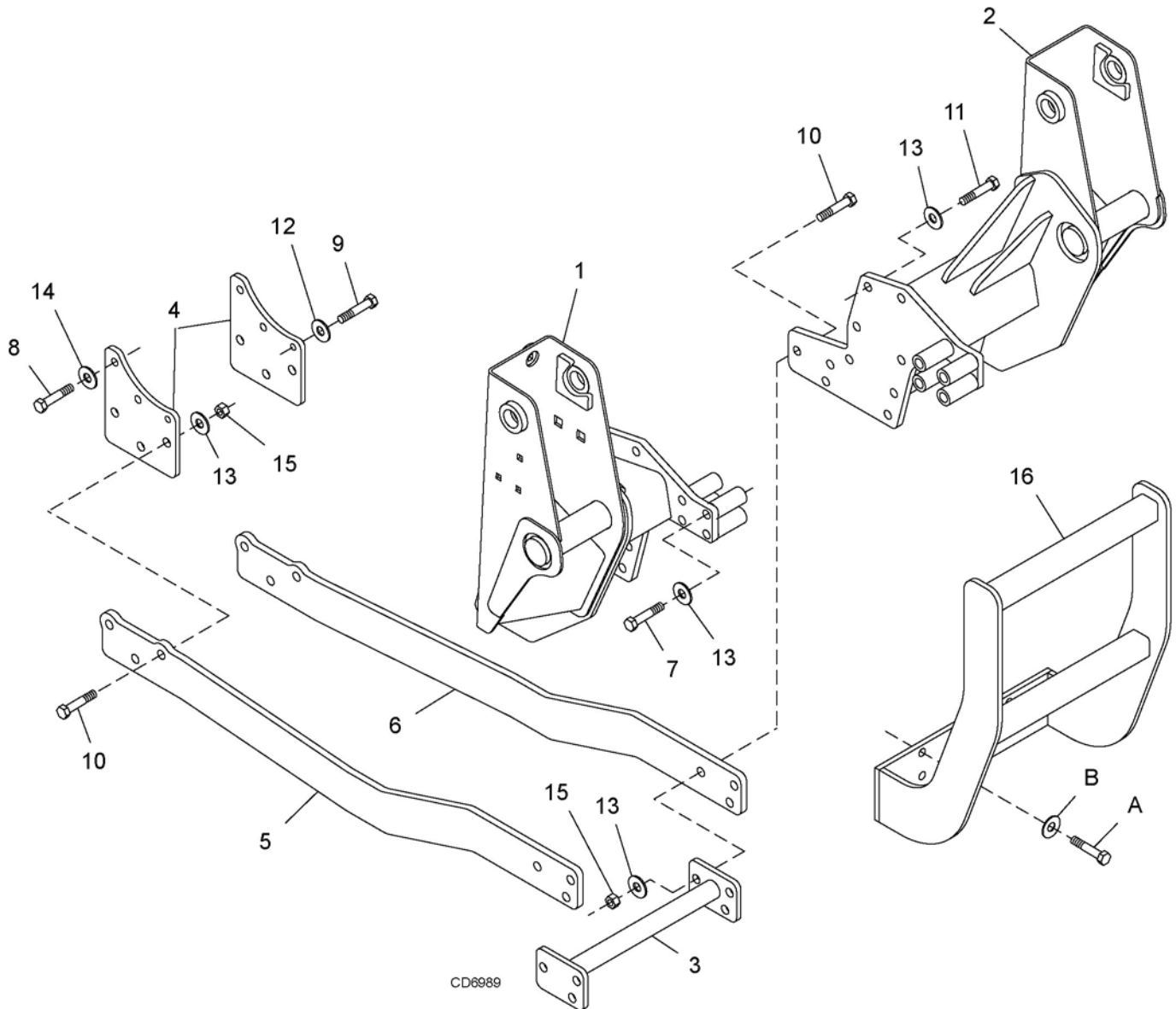
9. Attach the plastic tie straps (included in kit) every 20 inches around the hoses to keep them tightly bundled and away from contact with the ground or other moving parts on the tractor or loader.
10. Before operating the loader, make sure that the Pre-Delivery, Delivery, and Pre-Operation Check Lists from the Loader Operator's Manual have been completed.



- Handle forward - Boom down
- Handle forward to limit - Float position
- Handle back - Boom up
- Handle right - Dump bucket or attachment (slow)
- Handle right to limit - Dump bucket or attachment (fast)
- Handle to left - Rollback bucket or attachment

Figure 21. Single Lever Control Operation

211718 LOADER MOUNTING KIT

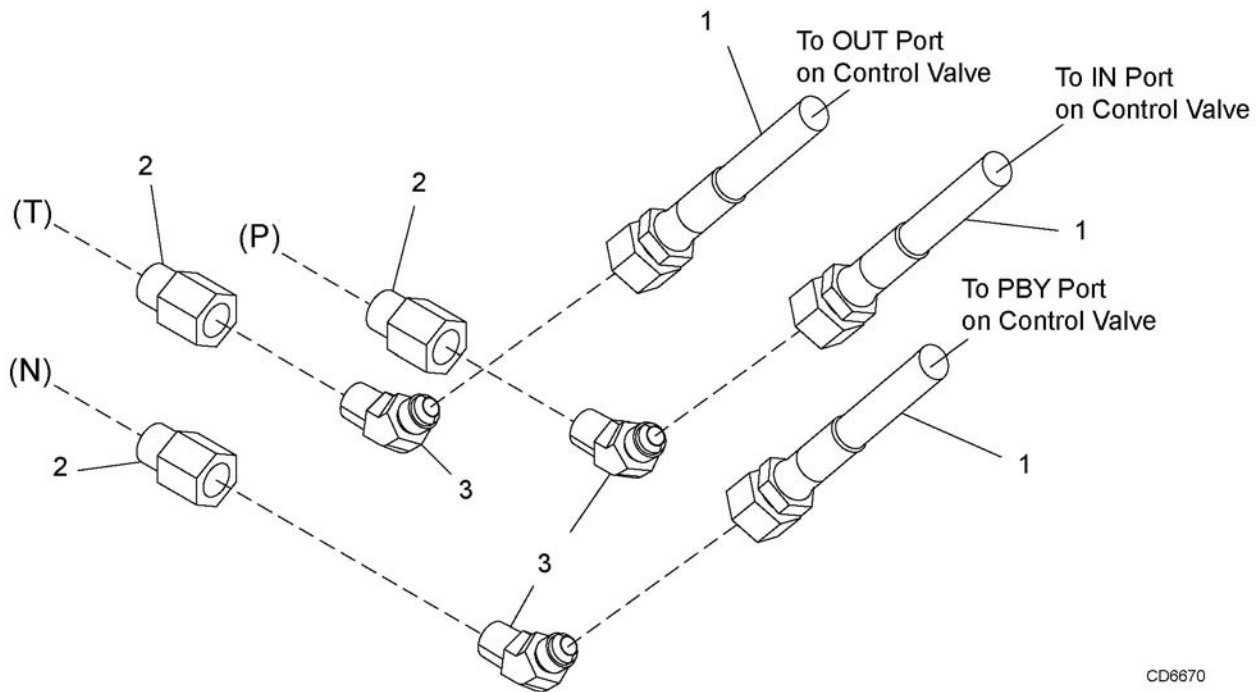


REF	PART	QTY	DESCRIPTION	REF	PART	QTY	DESCRIPTION
1	1020638	1	Right rear mount	12	44546	2	3/8 Hardened flat washer
2	1020639	1	Left rear mount	13	46070	28	9/16 Hardened flat washer
3	1020646	1	Cross brace	14	57816	4	1/2 Hardened flat washer
4	1020649	2	Rear axle plate	15	307825	12	M14 x 2.0P Hex nut
5	1020650	1	Right rear rail	16	1021860	1	Grill guard (optional) includes items A & B
6	1020651	1	Left rear rail	A	62542	4	M12 x 1.75P x 30 mm HHCS
7	1020669	8	M14 x 1.5P x 110 mm HHCS CL8.8	B	57816	4	1/2 Hardened flat washer
8	307309	4	M12 x 1.75P x 60 mm HHCS				
9	32333	2	M10 x 1.25P x 50 mm HHCS				
10	33757	12	M14 x 2.0P x 60 mm HHCS				
11	34635	8	M14 x 2.0P x 40 mm HHCS CL10.9				

HHCS Hex head cap screw

* Standard hardware, obtain locally

1014620 HOSE KIT



CD6670

REF	PART	QTY	DESCRIPTION
1	1014619	3	Hose, 36" x 9/16 JICF x 9/16 JICF
2	315045	3	Adapter, 3/8 BSPTM x 3/8 NPTF
3	44552	3	Elbow, 3/8 NPTM x 9/16 JICM 45°
4	63558	1	Elbow, 9/16 JICM x 9/16 ORBM 90° (not shown)

14 Parts

MAN0530 (6/30/2006)

BOLT TORQUE CHART

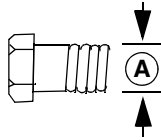
Always tighten hardware to these values unless a different torque value or tightening procedure is listed for a specific application.

Fasteners must always be replaced with the same grade as specified in the manual parts list.

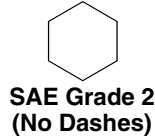
Always use the proper tool for tightening hardware: SAE for SAE hardware and Metric for metric hardware.

Make sure fastener threads are clean and you start thread engagement properly.

All torque values are given to specifications used on hardware defined by SAE J1701 MAR 99 & J1701M JUL 96.



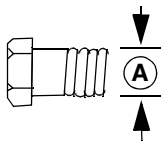
SAE SERIES TORQUE CHART



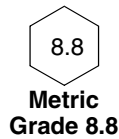
SAE Bolt Head Identification



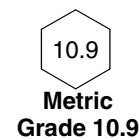
Ⓐ Diameter (Inches)	Wrench Size	MARKING ON HEAD					
		SAE 2		SAE 5		SAE 8	
		lbs-ft	N-m	lbs-ft	N-m	lbs-ft	N-m
1/4"	7/16"	6	8	10	13	14	18
5/16"	1/2"	12	17	19	26	27	37
3/8"	9/16"	23	31	35	47	49	67
7/16"	5/8"	36	48	55	75	78	106
1/2"	3/4"	55	75	85	115	120	163
9/16"	13/16"	78	106	121	164	171	232
5/8"	15/16"	110	149	170	230	240	325
3/4"	1-1/8"	192	261	297	403	420	569
7/8"	1-5/16"	306	416	474	642	669	907
1"	1-1/2"	467	634	722	979	1020	1383



METRIC SERIES TORQUE CHART



Metric Bolt Head Identification



Ⓐ Diameter & Thread Pitch (Millimeters)	Wrench Size	COARSE THREAD				FINE THREAD				Ⓐ Diameter & Thread Pitch (Millimeters)
		MARKING ON HEAD				MARKING ON HEAD				
		Metric 8.8		Metric 10.9		Metric 8.8		Metric 10.9		
		N-m	lbs-ft	N-m	lbs-ft	N-m	lbs-ft	N-m	lbs-ft	
6 x 1.0	10 mm	8	6	11	8	8	6	11	8	6 x 1.0
8 x 1.25	13 mm	20	15	27	20	21	16	29	22	8 x 1.0
10 x 1.5	16 mm	39	29	54	40	41	30	57	42	10 x 1.25
12 x 1.75	18 mm	68	50	94	70	75	55	103	76	12 x 1.25
14 x 2.0	21 mm	109	80	151	111	118	87	163	120	14 x 1.5
16 x 2.0	24 mm	169	125	234	173	181	133	250	184	16 x 1.5
18 x 2.5	27 mm	234	172	323	239	263	194	363	268	18 x 1.5
20 x 2.5	30 mm	330	244	457	337	367	270	507	374	20 x 1.5
22 x 2.5	34 mm	451	332	623	460	495	365	684	505	22 x 1.5
24 x 3.0	36 mm	571	421	790	583	623	459	861	635	24 x 2.0
30 x 3.0	46 mm	1175	867	1626	1199	1258	928	1740	1283	30 x 2.0

Typical Washer Installations

Lock Washer

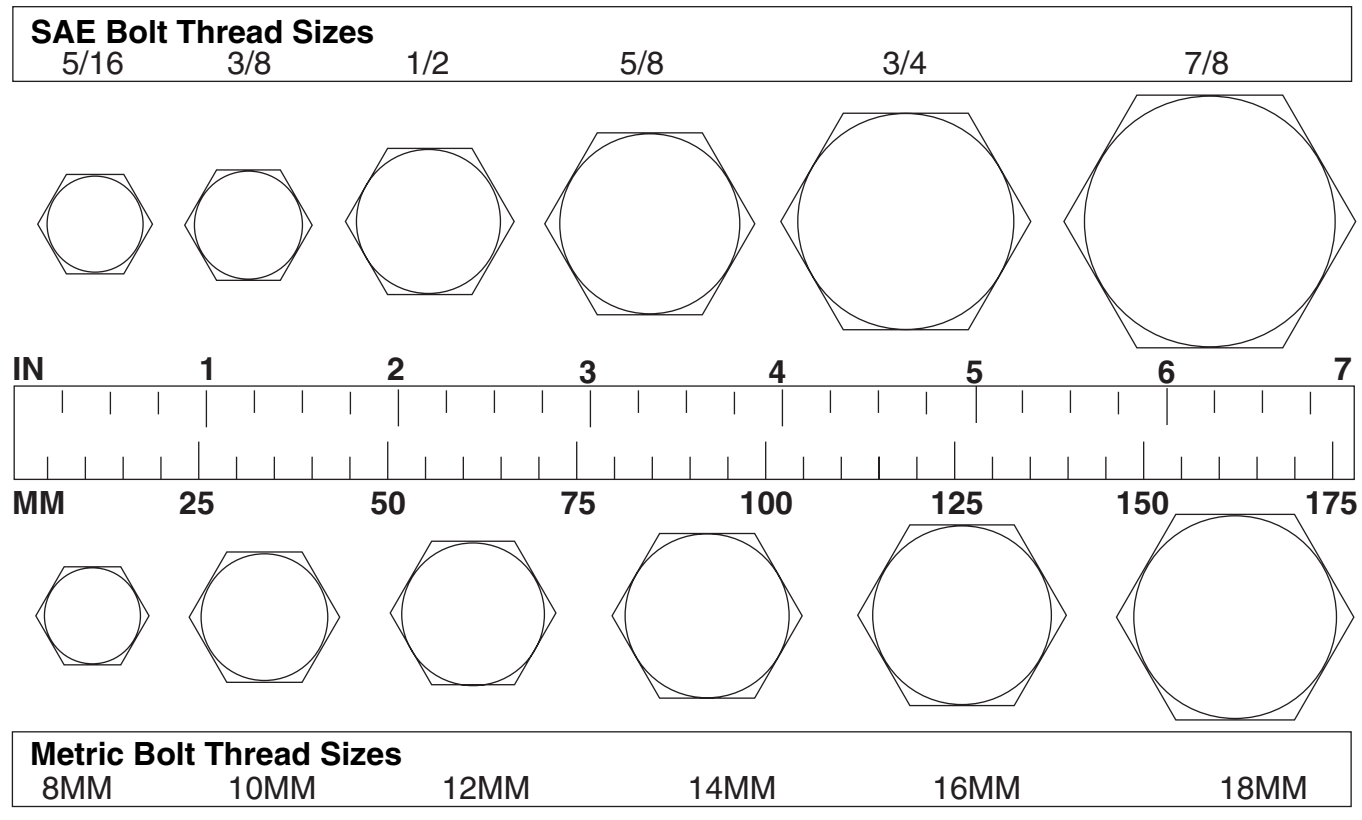
Flat Washer

Bolt

8/9/00

BOLT SIZE CHART

NOTE: Chart shows bolt thread sizes and corresponding head (wrench) sizes for standard SAE and metric bolts.



ABBREVIATIONS

AG Agriculture
 ATF Automatic Transmission Fluid
 BSPP British Standard Pipe Parallel
 BSPTM British Standard Pipe Tapered Male
 CV Constant Velocity
 CCW Counter-Clockwise
 CW Clockwise
 F Female
 GA Gauge
 GR (5, etc.) Grade (5, etc.)
 HHCS Hex Head Cap Screw
 HT Heat-Treated
 JIC Joint Industry Council 37° Degree Flare
 LH Left Hand
 LT Left
 m Meter
 mm Millimeter
 M Male
 MPa Mega Pascal
 N Newton

NC National Coarse
 NF National Fine
 NPSM National Pipe Straight Mechanical
 NPT National Pipe Tapered
 NPT SWF National Pipe Tapered Swivel Female
 ORBM O-Ring Boss - Male
 P Pitch
 PBY Power-Beyond
 psi Pounds per Square Inch
 PTO Power Take Off
 QD Quick Disconnect
 RH Right Hand
 ROPS Roll-Over Protective Structure
 RPM Revolutions Per Minute
 RT Right
 SAE Society of Automotive Engineers
 UNC Unified Coarse
 UNF Unified Fine
 UNS Unified Special



WARRANTY

(All Models Except Mow'n Machine™ Zero-Turn Mowers and Woods Boundary™ Utility Vehicles)

Please Enter Information Below and Save for Future Reference.

Date Purchased: _____ From (Dealer): _____

Model Number: _____ Serial Number: _____

Woods Equipment Company ("WOODS") warrants this product to be free from defect in material and workmanship. Except as otherwise set forth below, the duration of this Warranty shall be for TWELVE (12) MONTHS COMMENCING ON THE DATE OF DELIVERY OF THE PRODUCT TO THE ORIGINAL PURCHASER.

The warranty periods for certain gearboxes and blade spindles are listed below:

Model No.	Part Warranted	Duration
PHD25, PHD35, PHD65, PHD95, 1260, 2162, 3240, BB48, BB60, BB72, BB84, BB600, BB720, BB840, BB6000, BB7200, BB8400, BW180-2, BW1800, DS96, DS120, RCC42, RM550-2, RM660-2, RM990-3, PRD6000, PRD7200, PRD8400, 7144RD-2, 9180RD-2, 9204RD-2, S15CD, S20CD, S22CD, S25CD, S27CD	Gearbox components	5 years from the date of delivery to the original purchaser.
RDC54, RD60, RD72	Gearbox components	3 years from the date of delivery to the original purchaser.
RDC54, RD60, RD72	Gearbox components	1 year from the date of delivery to the original purchaser if used in rental or commercial applications.
RM550-2, RM660-2, RM990-3, PRD6000, PRD7200, PRD8400, 7144RD-2, 9180RD-2, 9204RD-2	Blade spindles	3 years from the date of delivery to the original purchaser.

Under no circumstances will this Warranty apply in the event that the product, in the good faith opinion of WOODS, has been subjected to improper operation, improper maintenance, misuse, or an accident. This Warranty does not apply in the event that the product has been materially modified or repaired by someone other than WOODS, a WOODS authorized dealer or distributor, and/or a WOODS authorized service center. This Warranty does not cover normal wear or tear, or normal maintenance items. This Warranty also does not cover repairs made with parts other than those obtainable through WOODS.

This Warranty is extended solely to the original purchaser of the product. Should the original purchaser sell or otherwise transfer this product to a third party, this Warranty does not transfer to the third party purchaser in any way. There are no third party beneficiaries of this Warranty.

WOODS makes no warranty, express or implied, with respect to engines, batteries, tires or other parts or accessories not manufactured by WOODS. Warranties for these items, if any, are provided separately by their respective manufacturers.

WOODS' obligation under this Warranty is limited to, at WOODS' option, the repair or replacement, free of charge, of the product if WOODS, in its sole discretion, deems it to be defective or in noncompliance with this Warranty. **The product must be returned to WOODS with proof of purchase within thirty (30) days after such defect or noncompliance is discovered or should have been discovered, routed through the dealer and distributor from whom the purchase was made, transportation charges prepaid.** WOODS shall complete such repair or replacement within a reasonable time after WOODS receives the product. THERE ARE NO OTHER REMEDIES UNDER THIS WARRANTY. THE REMEDY OF REPAIR OR REPLACEMENT IS THE SOLE AND EXCLUSIVE REMEDY UNDER THIS WARRANTY.

THERE ARE NO WARRANTIES WHICH EXTEND BEYOND THE DESCRIPTION ON THE FACE OF THIS WARRANTY. WOODS MAKES NO OTHER WARRANTY, EXPRESS OR IMPLIED, AND WOODS SPECIFICALLY DISCLAIMS ANY IMPLIED WARRANTY OF MERCHANTABILITY AND/OR ANY IMPLIED WARRANTY OF FITNESS FOR A PARTICULAR PURPOSE.

WOODS shall not be liable for any incidental or consequential losses, damages or expenses, arising directly or indirectly from the product, whether such claim is based upon breach of contract, breach of warranty, negligence, strict liability in tort or any other legal theory. Without limiting the generality of the foregoing, Woods specifically disclaims any damages relating to (i) lost profits, business, revenues or goodwill; (ii) loss of crops; (iii) loss because of delay in harvesting; (iv) any expense or loss incurred for labor, supplies, substitute machinery or rental; or (v) any other type of damage to property or economic loss.

This Warranty is subject to any existing conditions of supply which may directly affect WOODS' ability to obtain materials or manufacture replacement parts.

No agent, representative, dealer, distributor, serviceperson, salesperson, or employee of any company, including without limitation, WOODS, its authorized dealers, distributors, and service centers, is authorized to alter, modify, or enlarge this Warranty.

Answers to any questions regarding warranty service and locations may be obtained by contacting:

Woods Equipment Company

2606 South Illinois Route 2
Post Office Box 1000
Oregon, Illinois 61061

800-319-6637 tel
800-399-6637 fax
www.WoodsEquipment.com



ALITEC™

BMP®

CENTRAL FABRICATORS®

GANNON®

GILL®

WAIN-ROY®

WOODS®



WARRANTY

(Replacement Parts For All Models Except Mow'n Machine™
Zero-Turn Mowers and Woods Boundary™ Utility Vehicles)

Woods Equipment Company ("WOODS") warrants this product to be free from defect in material and workmanship for a period of ninety (90) days from the date of delivery of the product to the original purchaser with the exception of V-belts, which will be free of defect in material and workmanship for a period of 12 months.

Under no circumstances will this Warranty apply in the event that the product, in the good faith opinion of WOODS, has been subjected to improper operation, improper maintenance, misuse, or an accident. This Warranty does not cover normal wear or tear, or normal maintenance items.

This Warranty is extended solely to the original purchaser of the product. Should the original purchaser sell or otherwise transfer this product to a third party, this Warranty does not transfer to the third party purchaser in any way. There are no third party beneficiaries of this Warranty.

WOODS' obligation under this Warranty is limited to, at WOODS' option, the repair or replacement, free of charge, of the product if WOODS, in its sole discretion, deems it to be defective or in noncompliance with this Warranty. **The product must be returned to WOODS with proof of purchase within thirty (30) days after such defect or noncompliance is discovered or should have been discovered, routed through the dealer and distributor from whom the purchase was made, transportation charges prepaid.** WOODS shall complete such repair or replacement within a reasonable time after WOODS receives the product. THERE ARE NO OTHER REMEDIES UNDER THIS WARRANTY. THE REMEDY OF REPAIR OR REPLACEMENT IS THE SOLE AND EXCLUSIVE REMEDY UNDER THIS WARRANTY.

THERE ARE NO WARRANTIES WHICH EXTEND BEYOND THE DESCRIPTION ON THE FACE OF THIS WARRANTY. WOODS MAKES NO OTHER WARRANTY, EXPRESS OR IMPLIED, AND WOODS SPECIFICALLY DISCLAIMS ANY IMPLIED WARRANTY OF MERCHANTABILITY AND/OR ANY IMPLIED WARRANTY OF FITNESS FOR A PARTICULAR PURPOSE.

WOODS shall not be liable for any incidental or consequential losses, damages or expenses, arising directly or indirectly from the product, whether such claim is based upon breach of contract, breach of warranty, negligence, strict liability in tort or any other legal theory. Without limiting the generality of the foregoing, Woods specifically disclaims any damages relating to (i) lost profits, business, revenues or goodwill; (ii) loss of crops; (iii) loss because of delay in harvesting; (iv) any expense or loss incurred for labor, supplies, substitute machinery or rental; or (v) any other type of damage to property or economic loss.

This Warranty is subject to any existing conditions of supply which may directly affect WOODS' ability to obtain materials or manufacture replacement parts.

No agent, representative, dealer, distributor, service person, salesperson, or employee of any company, including without limitation, WOODS, its authorized dealers, distributors, and service centers, is authorized to alter, modify, or enlarge this Warranty.

Answers to any questions regarding warranty service and locations may be obtained by contacting:

WOODS®

ALITEC™
BMP®
CENTRAL FABRICATORS®
GANNON®
GILL®
WAIN-ROY®
WOODS®