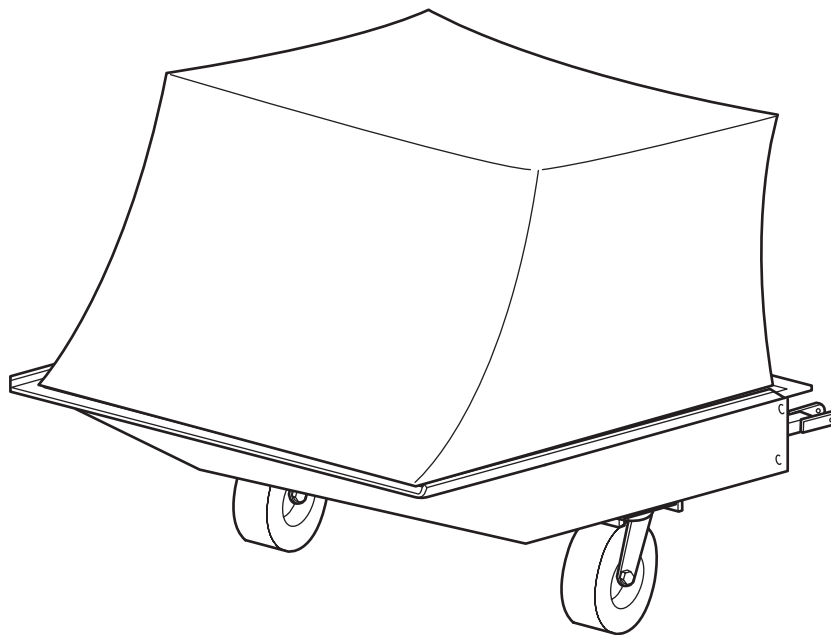


# ATTACHMENT OPERATOR'S MANUAL

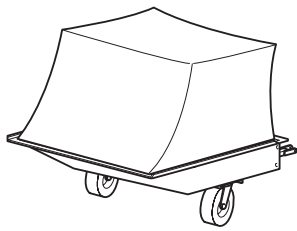


## Wide Body Cart Grass Catcher

### Wide Body Cart Grass Catcher

Mfg. No.	Description
1694542	Wide Body Cart Grass Catcher <i>(Multiple Applications)</i>

1726564  
Revision 01  
Rev. Date 07/2004  
TP 100-4002-01-AT-UV



# Table of Contents

---

## Contents, Accessories, & Specs

Table of Contents.....	1
Recommended Accessories.....	1
Specifications.....	1

## Safety Rules & Information

General Warnings.....	2
Safety Decals.....	2

## General Operating Information

Mowing with the Catcher.....	3
Before Operation.....	3
Recommended Accessories.....	3
After Operation.....	3
Storing the Grass Catcher.....	3
Operation.....	4
Maintenance.....	4

## Exploded View Diagrams

Cart.....	6
Reversible Frame Orientation.....	7

## Initial Assembly & Installation

Cart Assembly.....	8
Cover Assembly.....	9

## Normal Installation & Removal

Installation.....	11
Removal.....	11

## Hardware Identification & Torque Specifications

Chart.....	12
------------	----

*NOTE: In these instructions, “left” and “right” are referred to as seen from the operating position.*

## SPECIFICATIONS

Overall Length.....	42”
Overall Width.....	46”
Overall Height.....	41.4”
Inside Box Length.....	31”
Inside Box Width.....	44”
Inside Box Height.....	7”
Box Capacity.....	5 cu. ft.
Weight Capacity.....	400 lbs.
Grass Capacity.....	17 bushels
Pneumatic Tire Size.....	410/350 x 4




## WARNING

**The maximum weight capacity is 400 lbs. Do not exceed the maximum capacity.**

# Safety Rules & Information



Read these safety rules and follow them closely. Failure to obey these rules could result in loss of control of unit, severe personal injury or death to you, or bystanders, or damage to property or equipment. The triangle  in text signifies important cautions or warnings which must be followed.

## GENERAL WARNINGS

- Know the unit's controls and how to stop quickly. **READ THE OPERATOR'S MANUALS.**
- Read and obey all safety decals.
- Only allow responsible adults, who are familiar with the instructions, to operate the unit.
- Disengage the PTO. Shut off the engine and wait for all moving parts to stop before attaching, adjusting, or disconnecting any part of the collection system.
- Check the collection system to make sure it is bolted tightly to the unit.
- DO NOT operate the unit without either the entire grass catcher or the deflector in place.
- Turn off the PTO to disengage the blades when not mowing.
- DO NOT mow in reverse. Always look down and behind before and while travelling in reverse.
- DO NOT turn sharply when travelling alongside a building or any object. Slow down before turning.
- DO NOT carry passengers.
- When collection system is removed from the mower deck, the deflector must be properly installed.
- Collector bags are subject to deterioration and wear during normal use. Inspect the bag periodically for tears, holes, or weak spots and replace with a new bag that meets manufacturer's durability standards.
- If the mower stalls or the collector chute plugs:
  1. Disengage the PTO;
  2. Stop the engine and remove the key;
  3. Set the parking brake, and wait for all moving parts to stop.
  4. Remove the foreign object or clear the chute with a piece of wood before restarting the engine. **NEVER place hands into COLLECTOR OR MOWER housing to clear jammed objects. Blower OR MOWER may rotate when object is removed.**
- For added stability and to prevent tipping or loss of control:
  - a. Use reduced speed on uneven ground and when turning corners.
  - b. Reduce loads on hillsides. It is recommended that the collection system be kept only half full when negotiating any slopes. Start mowing on slopes when the collection system is empty.
  - c. Mow up and down the face of slopes; never across the face of any slope.
- When operating on slopes, use front counterweights. **Never operate on slopes greater than 17.6% (10°).**

## SAFETY DECALS

This unit has been designed and manufactured to provide you with the safety and reliability you would expect from an industry leader in outdoor power equipment manufacturing.

Although reading this manual and the safety instructions it contains will provide you with the necessary basic knowledge to operate this equipment safely and effectively, we have placed several safety labels on the unit to remind you of this important information while you are operating your unit.

All DANGER, WARNING, CAUTION and instructional messages on your rider, attachments and mower should be carefully read and obeyed. Personal bodily injury can result when these instructions are not followed. The information is for your safety and it is important! The safety decals below are on your product.

If any decals are lost or damaged, replace them at once. See your local dealer for replacements.

These labels are easily applied and will act as a constant visual reminder to you, and others who may use the equipment, to follow the safety instructions necessary for safe, effective operation.

## ATTACHMENT DECALS



**Decal - Maximum Capacity  
Part No. 1708120**



# Operating Instructions



## BEFORE OPERATION

Clear the lawn of all sticks, stones, wire and other debris which may be caught or thrown by the mower blades.

Check grass condition. If wet, wait until later in the day. If grass is wet, the grass catcher is likely to become plugged.

***For efficient bagging, air circulation under the mower deck, through the chute and into the bag is very important.***

For this reason, BEFORE YOU BEGIN MOWING you should make certain the underside of the mower and the underside of the catcher lid are free from grass and debris.

Make sure that there is a snug fit between mower deck, blower housing, tubes, and grass catcher cover.

## MOWING WITH THE CATCHER

Always operate with throttle at full speed when mowing. Grass should be cut often, and not too short. If grass is too long or lush it may be necessary to keep ground speed to a minimum or to cut only half the width of the mower to prevent clogging. If grass is long, operate with mower in high cutting position for first pass, cutting again in a lower position on a second pass.

**Do not open the cover with mower engaged.**

If a large amount of cut grass is spilling out from under deck, the tube may be plugged or the bags may be full—discontinue mowing, stop the rider, disengage the PTO and then empty the catcher or clear the tube.

## WARNING

**ALWAYS shut off the tractor. disengage the PTO, and allow all moving parts to stop BEFORE disconnecting or clearing tube, or emptying catcher.**

**Before leaving the operator's position for any reason, engage the parking brake, disengage the PTO, stop the engine and remove the key.**

**To reduce fire hazard, keep the engine, rider and mower free of grass, leaves and excess grease. Do not stop or park rider over dry leaves, grass or combustible materials.**

## REQUIRED ACCESSORIES

A front-mounted weight carrier and 150 lbs. worth of weights are required when using this rear-mounted grass catcher. **Never operate on slopes greater than 17.6% (10°).**

## AFTER OPERATION

Remove any debris from the the screen on the underside of the lid. *Note: The lid screen can be partially removed for easier cleaning and should be cleaned regularly.*

The blower housing and tube should be removed for cleaning.

Inspect the grass bags for wear or damage. Make sure that there is a snug fit between mower deck, blower housing, tubes, and grass catcher cover.

## STORING THE GRASS CATCHER

Clean the grass catcher thoroughly using a mild detergent (other products may damage the tube). Remove any debris from the the screen on the underside of the lid.

If paint has been scratched on metal parts, touch up with paint, or apply a thin film of oil to prevent corrosion.

Store in a dry area. Dry thoroughly before storing for a long period of time. Always store away from moisture.

# Operation

## OPERATION

### Dumping Grass and Leaves

1. Back the tractor to the desired place for unloading.  
Shut the tractor's engine off before getting off the tractor's seat.

#### **WARNING**

Before opening the cover for any reason, engage the parking brake, shut off the engine, remove the key, and wait for all moving parts to stop.

2. Unhook the strap from the door lock and raise the cover assembly to the open position. Lock the cover in place by hooking the strap to the locking tab (Figure 1). Also see Figure 2.
3. Move the latch handle to the unlock position and dump the cart's box using one of the front lift handles. The connecting sleeve will slide off the discharge chute and the cart's box will dump at a 90° angle for quick unloading.

#### **CAUTION**

The maximum weight capacity of the cart is 400 lbs. Do not exceed.

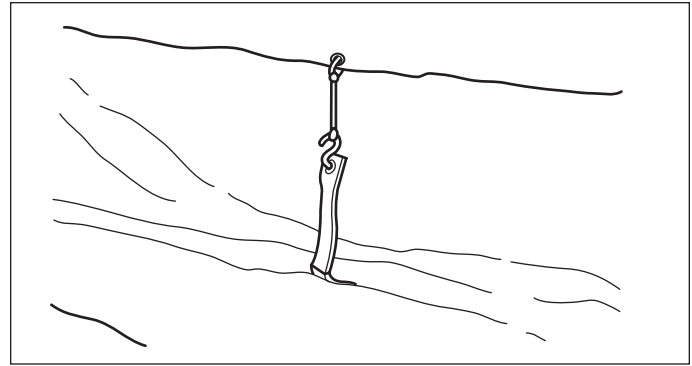


Figure 1. Opening the Cover

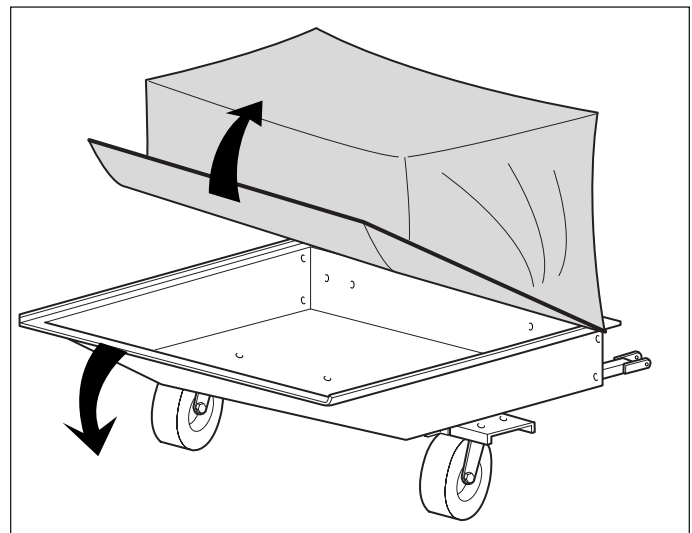


Figure 2. Emptying the Cart

## MAINTENANCE

### Cleaning Clear Tube

To clean the clear tube, wash with warm water and mild soap or detergent. Use a soft, clean sponge or cloth. DO NOT use abrasive, alkaline, or petroleum based cleaners.

### Cover

#### **WARNING**

The cover is subject to wear and deterioration. Check the cover frequently. Use an approved replacement cover.

The cover can be rinsed with a hose when dirty. A dirty cover will inhibit the fast flow of grass clippings into the cover. Do not leave grass or leaves in the cart for a long period of time.

### Wheels

Lubricate the wheel assembly before using the cart and as necessary thereafter. A grease fitting is located at swivel base. Use multi-purpose lithium grease.

### Tires

The tire pressure should be 30 psi.



# Exploded View Diagrams

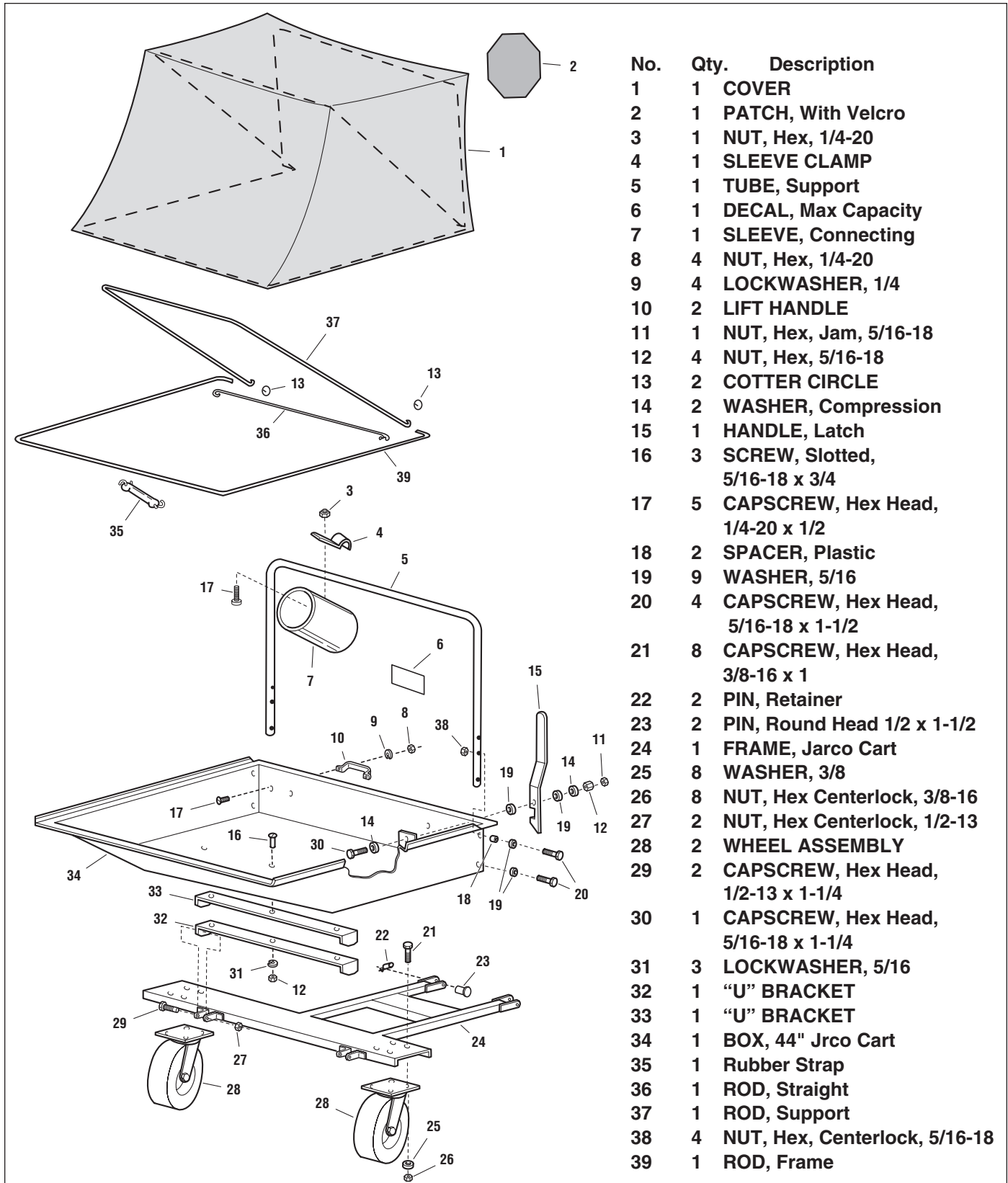
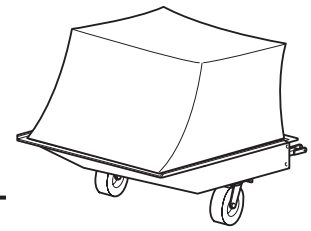
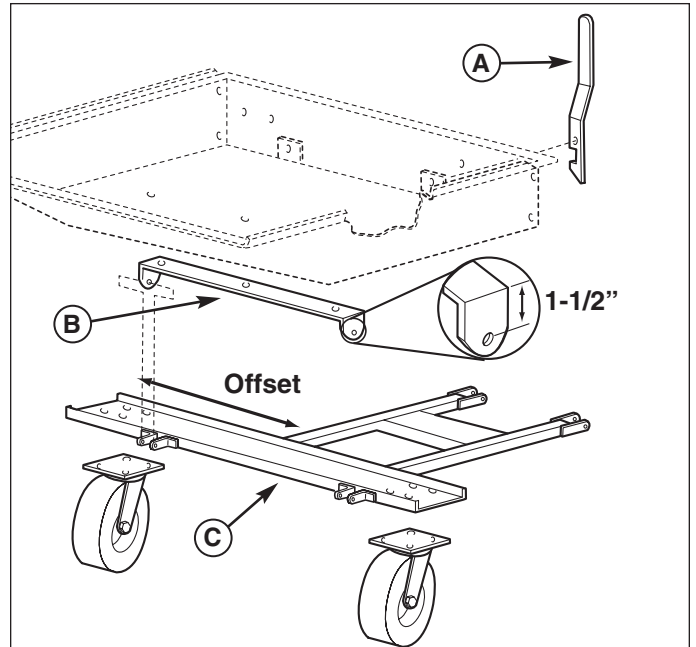


Figure 3. Wide Body Dump Cart

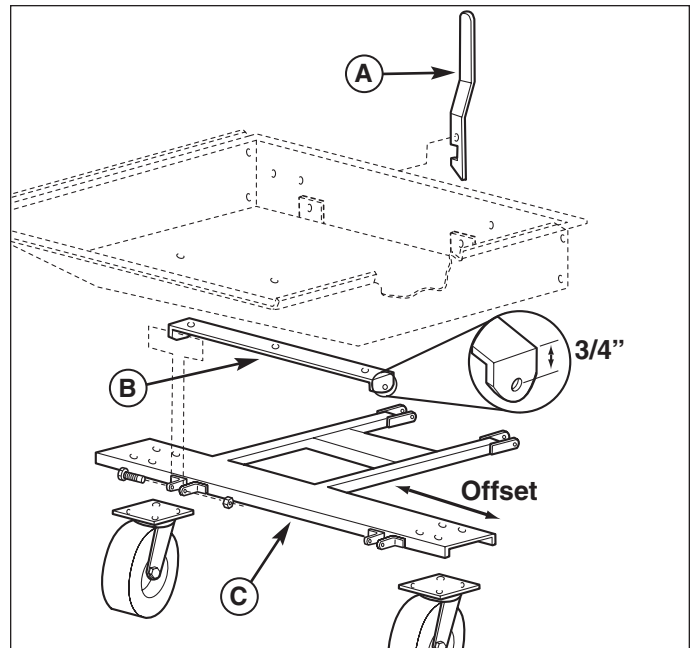
## Reversible Frame Orientation

For Left Side discharge locate the handle (A, Figure 4) on the right side of the cart. Use the U-bracket (B) with the hole located 1-1/2" from the edge. Rotate the frame (C) so that the offset is on the left hand side.



**Figure 4. Left Side Discharge**  
A. Handle, Latch                      C. Frame  
B. U-Bracket, Hole 1-1/2" from edge

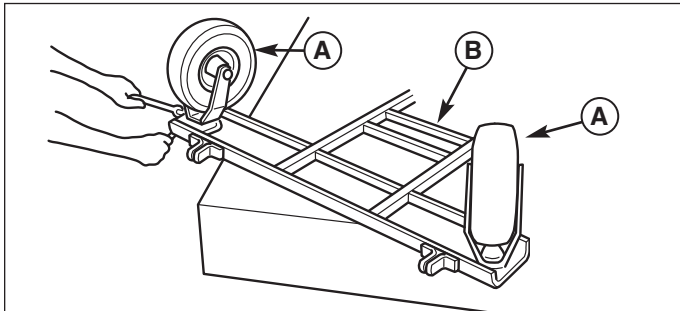
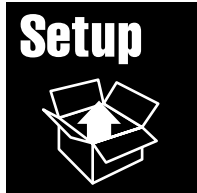
For Right Side discharge locate the handle (A, Figure 5) on the left side of the cart. Use the U-bracket (B) with the hole located 3/4" from the edge. Rotate the frame (C) so that the offset is on the right hand side.



**Figure 5. Right Side Discharge**  
A. Handle, Latch                      C. Frame  
B. U-Bracket, Hole 3/4" from edge.



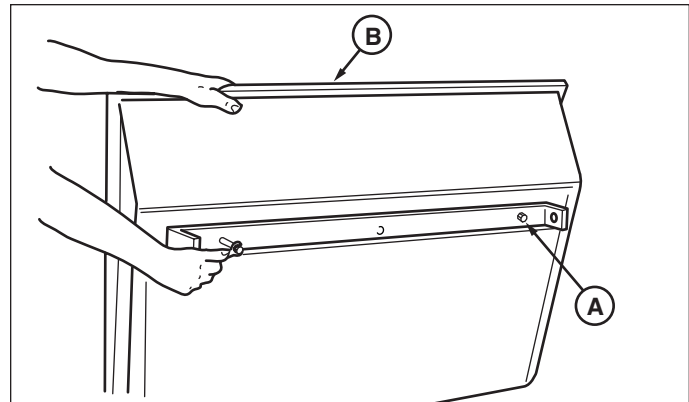
# Initial Assembly & Installation



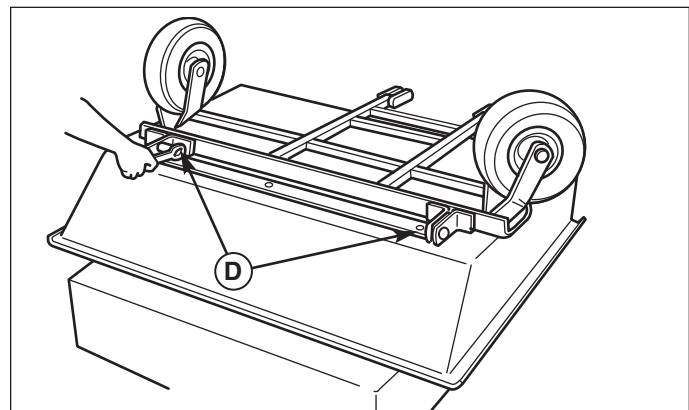
**Figure 6. Wheel Assembly (RH Discharge Shown)**  
**A. Wheel Assembly      B. Frame**

## CART ASSEMBLY

1. Determine if you have a right side or left side discharge. Refer to Figures 4 & 5.
2. Install the wheel assemblies (A, Figure 6) to the frame (B). Place the head of the swivel wheel on the end of the frame. Align the holes and place four 3/8-16 x 1 hex bolts up through the frame and head of the swivel. Secure with four flat washers (13/32 I.D., 7/8 O.D.) and 3/8-16 locknuts.
3. Install the U-bracket (A, Figure 7) to the bottom of the box (B). Place the three 5/16-18 x 3/4 slotted truss head bolts and three flat washers (11/32 I.D., 3/4 O.D.) through the inside of the box and the U-bracket. Secure with three 5/16 lockwashers and nuts.
4. Turn box upside down and install the frame to the U bracket (Figure 8). Align the two prong end (A) in the frame with the ends of the U-bracket and secure with two 1/2-13 x 1-1/4 hex bolts and locknuts. **DO NOT** over-tighten the locknuts, since the box pivots at this point for dumping.



**Figure 7. Install U-Bracket**  
**A. U-Bracket      B. Box**

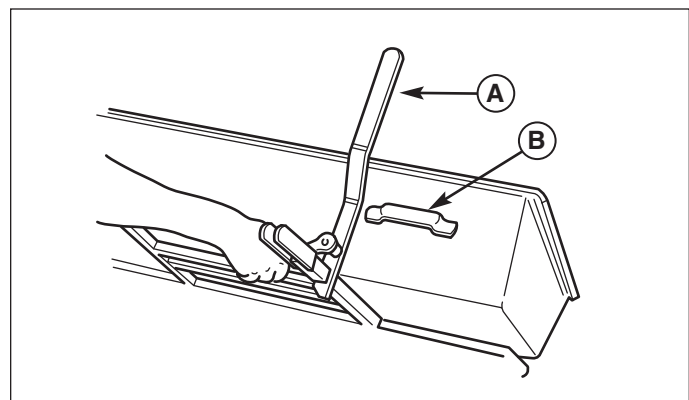


**Figure 8. Install Frame (RH Discharge Shown)**  
**A. Prong End**

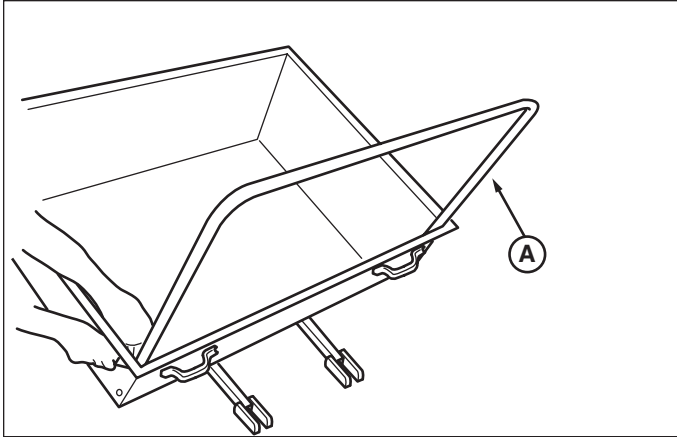
5. Turn box with frame upright and install the latch handle (A, Figure 9) and two lift handles (B) as follows:

**A. Refer to Figure 3. Latch Handle:** Place one 5/16-18 x 1 hex bolt with 5/16 spring washer through the inside of the box. Next place a 5/16 flat washer over the bolt on the outside of the box, the latch handle, a 5/16 flat washer, a 5/16 spring washer and a 5/16 nut and jam nut. Tighten the nuts so that when the latch handle turns the bolt and nut will not turn. (Be sure the cups of the spring washers are facing toward the box surface on both sides.)

**B. Refer to Figure 3. Lift Handles:** Install the two lift handles on the outside of the box. Place two 1/4-20 x 1/2 slotted truss head bolts through the inside of the box and the lift handle. Secure with two 1/4 lockwashers and nuts.



**Figure 9. Install Latch Handle (RH Discharge Shown)**  
**A. Latch Handle      B. Lift Handle**

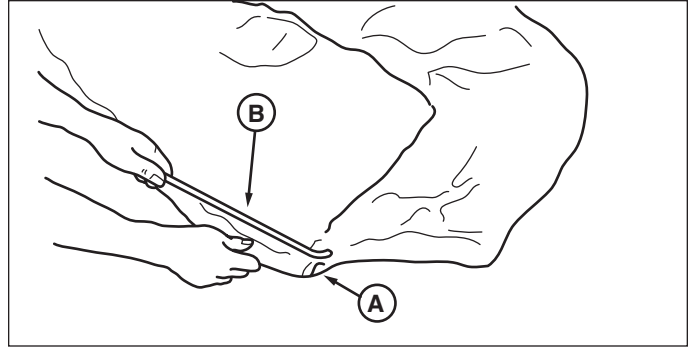


**Figure 10. Install Support Tube**  
A. Support Tube

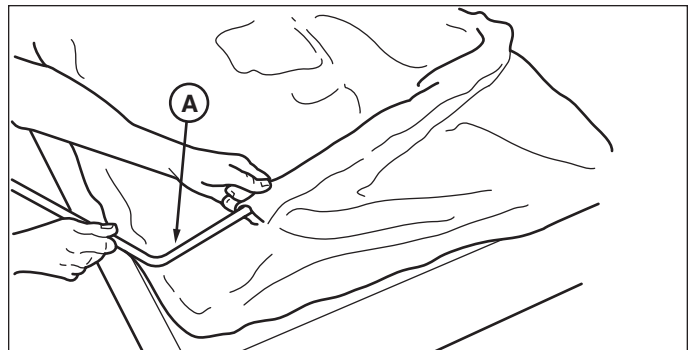
6. Install support tube (A, Figure 10) inside the box. Align each end of the support tube with the two holes at the front corner side of the box. Place one 5/16-18 x 1-1/2 hex bolt with a 5/16 flat washer and plastic spacer through the top, outside hole of the box and the support tube. Secure with a 5/16 locknut on the inside. At the bottom hole place on 5/16-18 x 1-1/2 hex bolt with a 5/16 flat washer through the box and the support tube. Secure with a 5/16 locknut.

## COVER ASSEMBLY

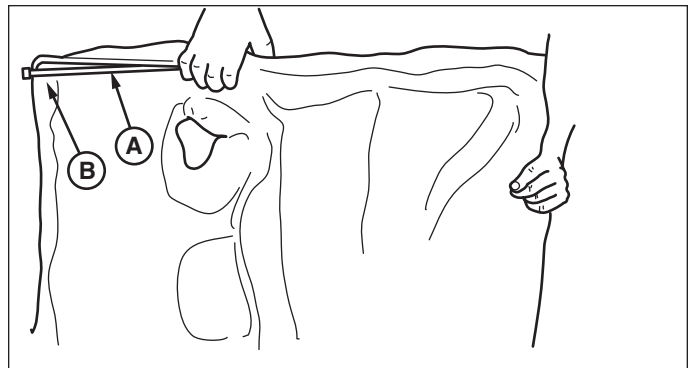
1. Unfold the cover and spread it out on a flat, clean surface. The two 3/8 inch rods are threaded through two sleeves inside the cover. The rod with the two bent ends is called the frame rod (B, Figure 11), since it lays on top of the box's frame. The rod with the two eyebolt ends is called the support rod, since it supports the top, rear side of the cover.
2. Thread the frame rod (B, Figure 11) through the bottom sleeve of the cover so that the two bent ends protrude through the openings on each side. The openings (A) of the sleeve are found next to the black cord loops.
3. Thread the support rod (A, Figure 12) through the sleeve inside the cover.
4. Pick up the cover by holding the rods and place the support rod inside the frame rod before hooking the frame rod (A, Figure 13) through the eyelet of the support rod (B) on each end.
5. Place the cover assembly over the support tube. Insert the frame rod with the support rod attached through the hole in the support tube and secure with a flat washer and cotter circle (A, Figure 14) on each side.



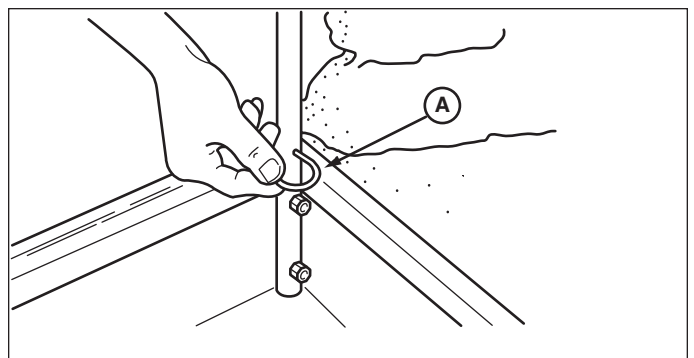
**Figure 11. Install Frame Rod**  
A. Opening B. Frame Rod



**Figure 12. Install Support Rod**  
A. Support Rod

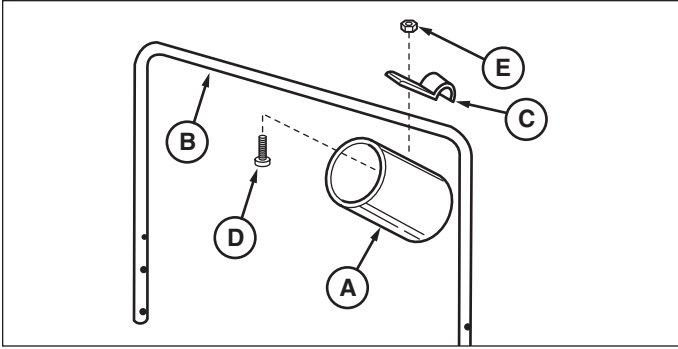


**Figure 13. Connect Frame Rod and Support Rod**  
A. Frame Rod B. Support Rod



**Figure 14. Secure Rods**  
A. Safety Clip

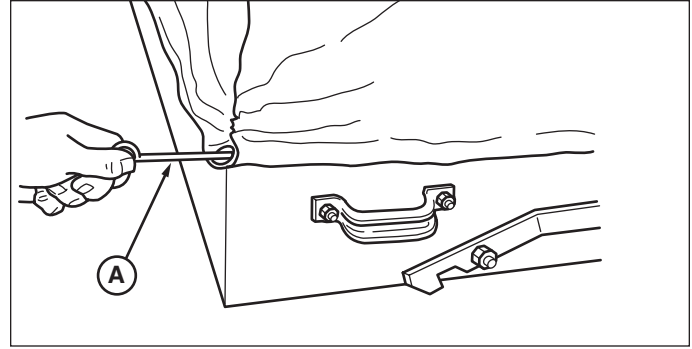
# Initial Assembly & Installation



**Figure 15. Install Connecting Sleeve**

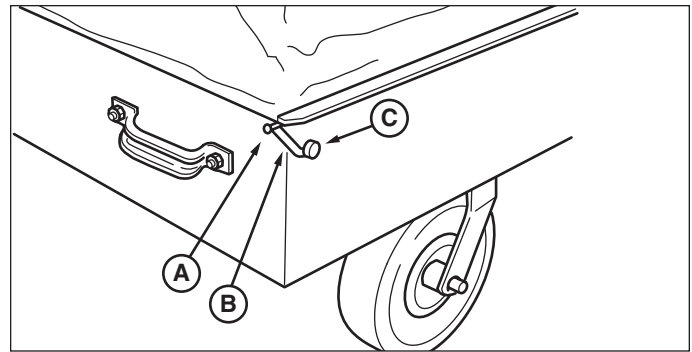
- A. Connecting Sleeve
- B. Support Tube
- C. Sleeve Clamp
- D. Truss Head Screw, 1/4-20 x 1/2
- E. Nyloc Nut

6. Install the sleeve clamp (C, Figure 15) to the connecting sleeve (A) with 1/4-20 x 1/2 slotted truss head screw (D) and nyloc nut (E). Install the connecting sleeve inside the collar of the cover and position sleeve clamp (C) over the support tube (B).
7. Thread the straight rod (A, Figure 16), which has an eyelet on each end, through the sleeve at the front of the cover.
8. Pinch the black cord loop (B, Figure 17) and thread it through the eyelet on each end of the rod. Next, pull the loop over the top bolt (C) on each side of the box. The rod gives added support to the cover at the front of the box.
9. Inside the cover at the front, there is a long tab with an eyelet on the end. Pull this tab over the top of the support tube (A, Figure 18) and back under the support tube before threading it through the slot in the cover. This locking tab (B) secures the cover to the support tube when the cover assembly is locked into the open position for dumping.
10. Install the six inch rubber strap (B, Figure 19) at the back of the box. Hook the strap over the metal loop (A) on the frame rod, which protrudes through the cover. Close the hook with a pair of pliers. Hook the other end of the strap over the door lock (C) on the box.
11. Slide connecting sleeve through hole in cover on discharge side. Cover opposite hole with cover provided.



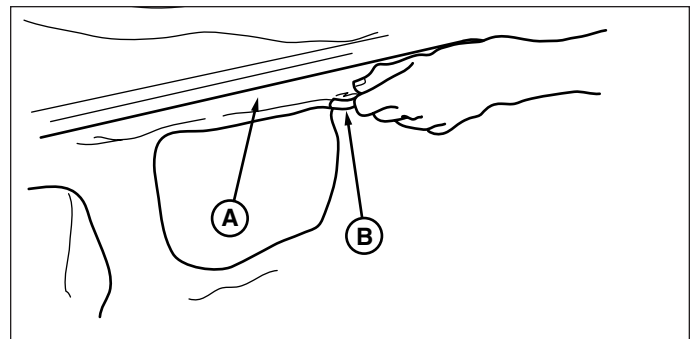
**Figure 16. Install Straight Rod**

- A. Straight Rod



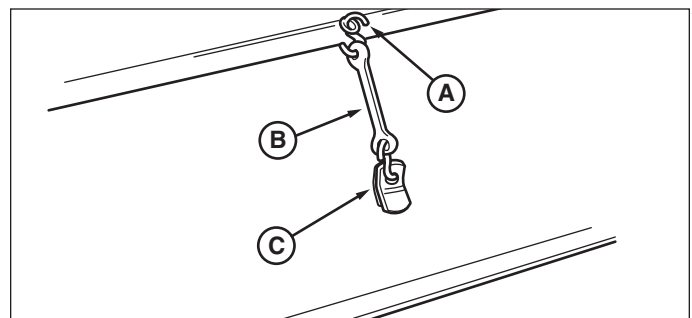
**Figure 17. Secure Cover**

- A. Straight Rod
- B. Cord Loop
- C. Bolt



**Figure 18. Secure Cover To Support Tube**

- A. Support Tubes
- B. Locking Tab



**Figure 19. Install Rubber Strap**

- A. Metal Loop
- B. Rubber Strap
- C. Door Lock

## NORMAL INSTALLATION & REMOVAL

### Installation

1. Insert the upper end of the clear tube into the cart sleeve. Slide the flex hose (C, Figure 20) over the turbo (A) and secure with the large hose clamp (B). The hose should overlap the turbo discharge by 2"-3".

The clamp screw should be positioned to the inside as shown to prevent accidental impact and removal of the clamp.

Check that the upper end of the clear tube is not contacting the top of the collector cover. If necessary, cut off the clear tube flush with the sleeve (A, Figure 15).

2. Connect the cart frame (A, Figure 21) to the hitch (B) and install the clevis pins and springs clips (C).

*Note: Mounting holes (D) are for left side discharge and mounting holes (E) are for right hand discharge.*

### WARNING

When the blower assembly is removed from the mower deck, the deflector must be installed as described in Operating Without Collection System.

### Removal

#### DETACH THE COLLECTOR CART

1. Disconnect the flex hose (C, Figure 20) from the turbo discharge (A) by loosening the hose clamp (B). Store the hose and tube assembly inside the cart.
2. Remove the clevis pins (C, Figure 21) from the cart frame (A) and separate the cart and hitch (B). Store the clevis pins and spring clips in the cart frame (A).

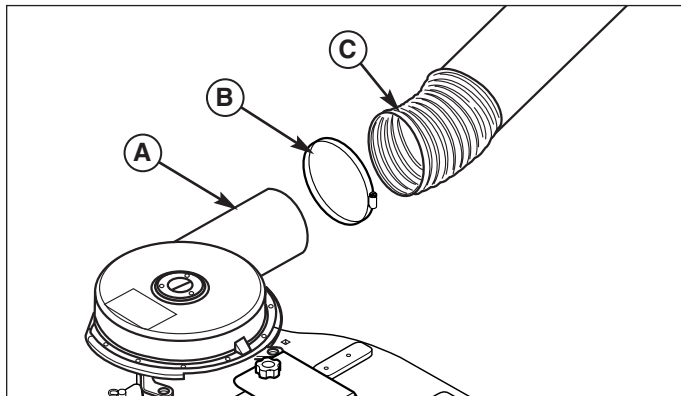
### WARNING

The deflector is spring loaded. When removing the blower, hold the deflector up. Then allow the deflector to go down into normal operating position (see Figure 29).

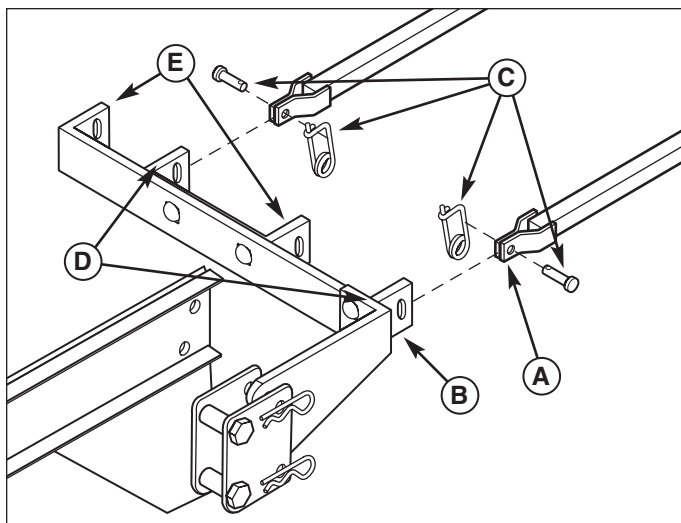
**DO NOT** operate the unit without the deflector in proper mowing position.

#### REMOVE THE TURBO BLOWER

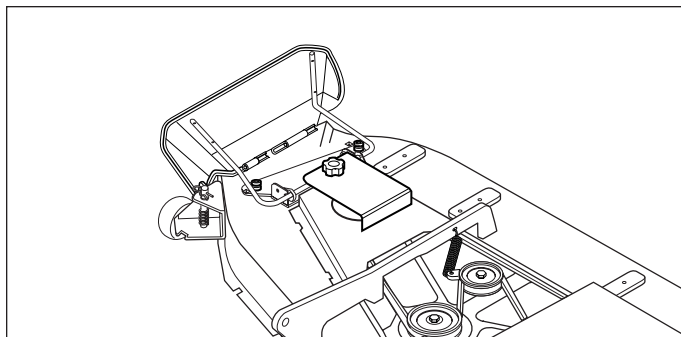
1. Remove the turbo blower according to the turbo installation instructions.
2. Be sure the deflector is in proper down position before using the unit (see Figure 22).



**Figure 20. Discharge Tube Installation**  
**A. Turbo Discharge**      **C. Hose**  
**B. Clamp**



**Figure 21. Connect Cart to Hitch (Legacy XL Shown)**  
**A. Cart Frame**      **D. LH Mounting Holes**  
**B. Hitch**      **E. RH Mounting Holes**  
**C. Clevis Pins and Spring Clips**



**Figure 22. Deflector - Down Position**

# Hardware Identification & Torque Specifications

## Common Hardware Types

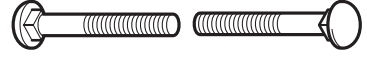
Hex Head Capscrew



Washer



Carriage Bolt



Lockwasher



Hex Nut

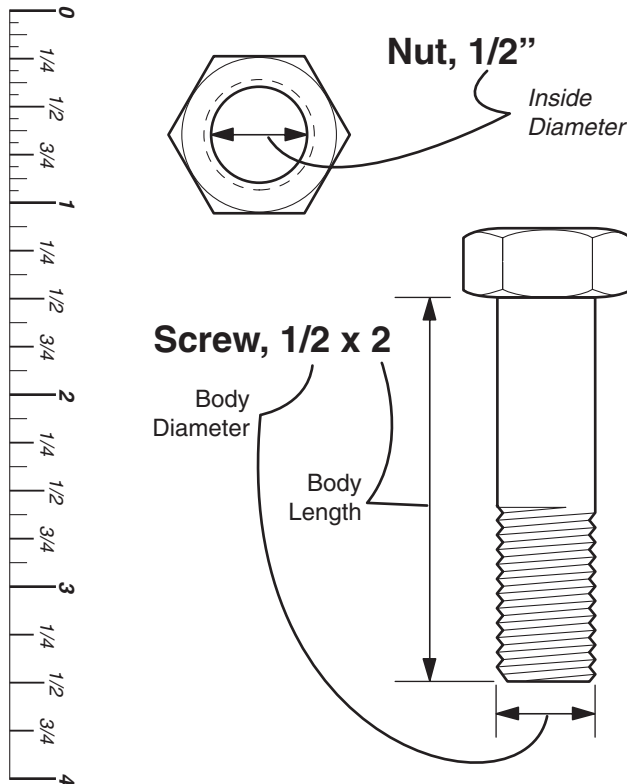


## Standard Hardware Sizing

When a washer or nut is identified as **1/2"**, this is the *Nominal size*, meaning the *inside diameter* is 1/2 inch; if a second number is present it represent the *threads per inch*

When bolt or capscrew is identified as **1/2 - 16 x 2"**, this means the *Nominal size*, or *body diameter* is 1/2 inch; the second number represents the *threads per inch* (16 in this example, and the final number is the *body length* of the bolt or screw (in this example 2 inches long).

**The guides and ruler furnished below are designed to help you select the appropriate hardware and tools.**



## Torque Specification Chart

FOR STANDARD MACHINE HARDWARE (Tolerance ± 20%)

Hardware Grade	No Marks SAE Grade 2		SAE Grade 5		SAE Grade 8	
	in/lbs ft/lbs	Nm.	in/lbs ft/lbs	Nm.	in/lbs ft/lbs	Nm.
8-32	19	2.1	30	3.4	41	4.6
8-36	20	2.3	31	3.5	43	4.9
10-24	27	3.1	43	4.9	60	6.8
10-32	31	3.5	49	5.5	68	7.7
1/4-20	66	7.6	8	10.9	12	16.3
1/4-28	76	8.6	10	13.6	14	19.0
5/16-18	11	15.0	17	23.1	25	34.0
5/16-24	12	16.3	19	25.8	27	34.0
3/8-16	20	27.2	30	40.8	45	61.2
3/8-24	23	31.3	35	47.6	50	68.0
7/16-14	30	40.8	50	68.0	70	95.2
7/16-20	35	47.6	55	74.8	80	108.8
1/2-13	50	68.0	75	102.0	110	149.6
1/2-20	55	74.8	90	122.4	120	163.2
9/16-12	65	88.4	110	149.6	150	204.0
9/16-18	75	102.0	120	163.2	170	231.2
5/8-11	90	122.4	150	204.0	220	299.2
5/8-18	100	136	180	244.8	240	326.4
3/4-10	160	217.6	260	353.6	386	525.0
3/4-16	180	244.8	300	408.0	420	571.2
7/8-9	140	190.4	400	544.0	600	816.0
7/8-14	155	210.8	440	598.4	660	897.6
1-8	220	299.2	580	788.8	900	1,244.0
1-12	240	326.4	640	870.4	1,000	1,360.0

### NOTES

- These torque values are to be used for all hardware excluding: locknuts, self-tapping screws, thread forming screws, sheet metal screws and socket head setscrews.
- Recommended seating torque values for locknuts:
  - for prevailing torque locknuts - use 65% of grade 5 torques.
  - for flange whizlock nuts and screws - use 135% of grade 5 torques.
- Unless otherwise noted on assembly drawings, all torque values must meet this specification.

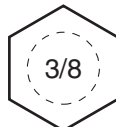
## Wrench & Fastener Size Guide



1/4" Bolt or Nut  
Wrench—7/16"



5/16" Bolt or Nut  
Wrench—1/2"



3/8" Bolt or Nut  
Wrench—9/16"



7/16" Bolt or Nut  
Wrench (Bolt)—5/8"  
Wrench (Nut)—11/16"



1/2" Bolt or Nut  
Wrench—3/4"



***Simplicity***<sup>®</sup>

MANUFACTURING, INC.  
500 N Spring Street / PO Box 997  
Port Washington, WI 53074-0997

[www.simplicitymfg.com](http://www.simplicitymfg.com)

© Copyright 2004 Simplicity Manufacturing, Inc.  
All Rights Reserved. Printed in USA.