

Always here to help you

Register your product and get support at
www.philips.com/welcome

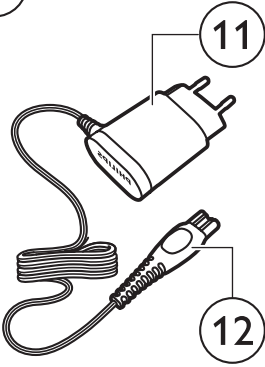
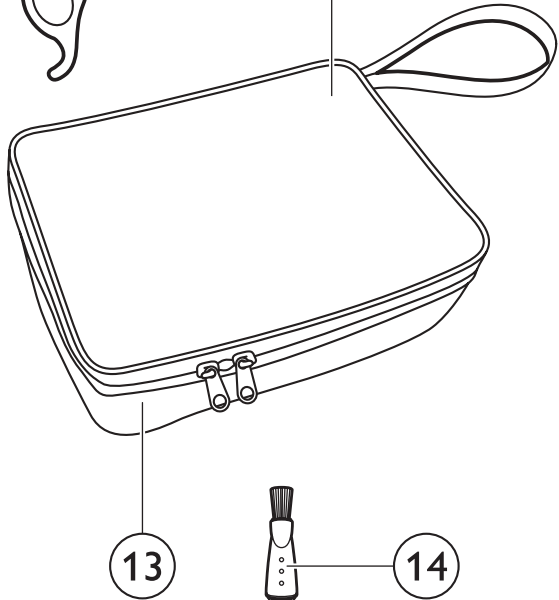
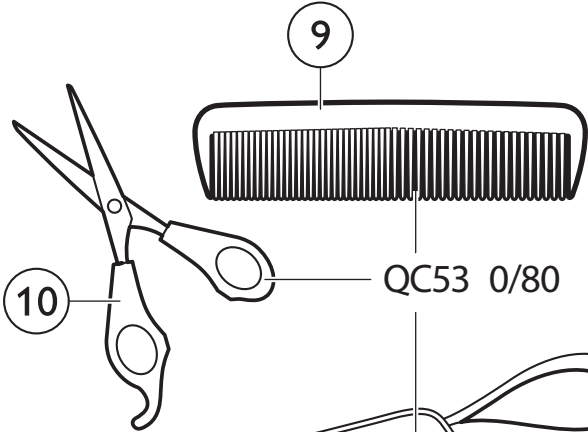
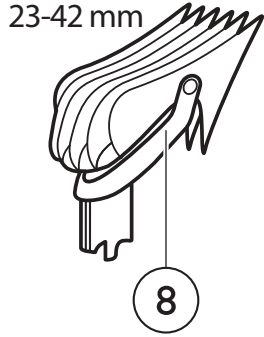
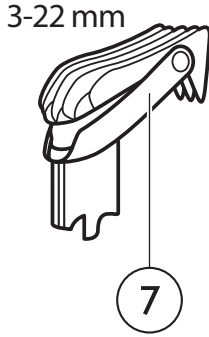
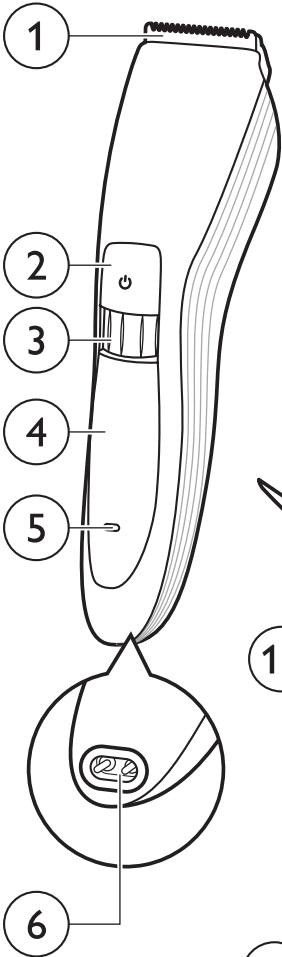
QC5390

Question?
Contact
Philips



User manual

PHILIPS



Introduction

Congratulations on your purchase and welcome to Philips! To fully benefit from the support that Philips offers, register your product at www.philips.com/welcome.

General description (Fig. 1)

- 1 Cutting element
- 2 On/off button
- 3 Zoom wheel
- 4 Handle
- 5 Charging light
- 6 Socket for appliance plug
- 7 Small comb
- 8 Large comb
- 9 Barber comb (QC5390/80 only)
- 10 Scissors (QC5390/80 only)
- 11 Adapter
- 12 Appliance plug
- 13 Pouch (QC5390/80 only)
- 14 Cleaning brush

Preparing for use

Note: You can also use the appliance directly from the mains when the battery is empty.

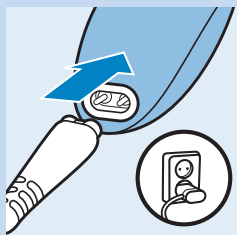
Charging

Charge the appliance for at least 1 hour before you use it for the first time and after a long period of non-use.

When the appliance is fully charged, it has a cordless operating time of up to 60 minutes.

When the charging light lights up orange, the battery is running low (approx. 10 minutes of operating time left) and you need to recharge the appliance.

- 1 Make sure the appliance is switched off.
- 2 Insert the appliance plug into the socket of the appliance and put the adapter in the wall socket.
 - ▶ The charging light starts flashing green to indicate that the appliance is charging.
 - ▶ When the batteries are fully charged, the charging light lights up green continuously. After 30 minutes the charging light goes out to save energy.



Using the appliance

Clipping with comb

The appliance comes with 2 combs for different hair lengths. The hair length settings are indicated in millimetres on the comb. The settings correspond to the remaining hair length after clipping.

1 Select the comb you want to use.

The small comb cuts the hair to a length of 3mm to 22mm. The large comb cuts the hair to a length of 23mm to 42mm.

2 Slide the comb straight into the guiding grooves on both sides of the handle ('click').

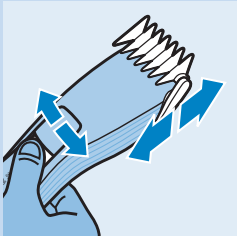


3 To set the comb to the desired setting, turn the zoom wheel to the desired hair length setting.

- ▶ The display on front of the appliance shows the selected hair length in millimetres after cutting.

- ▶ After 8 minutes, the display goes out to save energy. To activate the display again, turn the zoom wheel or press the on/off button.

Tip: Write down the hair length settings you selected to create a certain hairstyle as a reminder for future clipping sessions.

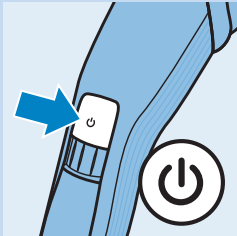


4 Press the on/off button to switch on the appliance.

5 Move the appliance through the hair slowly.

Tips

- To clip most effectively, move the appliance against the hair growth direction.
- Since all hair does not grow in the same direction, you need to move the appliance in different directions (upwards, downwards and across).



- Make sure that the flat part of the comb is always fully in contact with the scalp to obtain an even result.

- Make overlapping passes over the head to ensure that you cut all the hair that needs to be cut.

6 Regularly remove cut hair from the comb.

If a lot of hair has accumulated in the comb, remove the comb from the appliance and blow and/or shake the hair out of it.



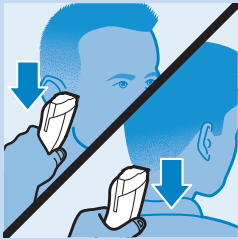
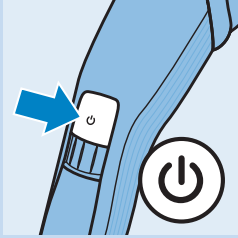
Contouring without comb

You can use the appliance without comb to clip hair very close to the skin (0.5mm) or to contour the neckline and the area around the ears.

Be careful when you clip without comb because the cutting element removes every hair it touches.

- 1 Pull the comb off the appliance.
- 2 Before you start to contour the hairline around the ears, comb the hair ends over the ears.
- 3 Press the on/off button to switch on the appliance.
- 4 Tilt the appliance in such a way that only one edge of the cutting element touches the hair ends when you shape the contours around the ears.

Only cut the hair ends. The hairline should be close to the ear.



- 5 To contour the neckline and sideburns, turn the appliance and make downward strokes.

Move the appliance slowly and smoothly. Follow the natural hairline.

Cleaning

Clean the appliance every time you have used it with the cleaning brush and with warm water (max. 40°C).

Never use compressed air, scouring pads, abrasive cleaning agents or aggressive liquids such as petrol, acetone or ethereal oils to clean the appliance.

Note: The appliance does not need any lubrication.

- 1 Switch off the appliance and disconnect it from the mains.
- 2 Remove the comb from the appliance and clean it with the cleaning brush.
- 3 Brush the outside of the shaving unit.
- 4 Push the centre top end of the cutting element upwards with your thumb until it opens.
- 5 Use the cleaning brush to remove the cut hair.
- 6 Clean the appliance under a warm running tap.

