

OWNER'S MANUAL
Model No. CES36A
Product No. 964 77 50-00
36 Inch Mower
Grass Catcher

- **Assembly**
- **Operation**
- **Customer Responsibilities**
- **Repair Parts**

SAFETY RULES



Safe Operation Practices for Ride-On Mowers



IMPORTANT: THIS CUTTING MACHINE IS CAPABLE OF AMPUTATING HANDS AND FEET AND THROWING OBJECTS. FAILURE TO OBSERVE THE FOLLOWING SAFETY INSTRUCTIONS COULD RESULT IN SERIOUS INJURY OR DEATH.

I. GENERAL OPERATION

- Read, understand, and follow all instructions in the manual and on the machine before starting.
- Only allow responsible adults, who are familiar with the instructions, to operate the machine.
- Clear the area of objects such as rocks, toys, wire, etc., which could be picked up and thrown by the blade.
- Be sure the area is clear of other people before mowing. Stop machine if anyone enters the area.
- Never carry passengers.
- Do not mow in reverse unless absolutely necessary. Always look down and behind before and while backing.
- Be aware of the mower discharge direction and do not point it at anyone. Do not operate the mower without either the entire grass catcher or the guard in place.
- Slow down before turning.
- Never leave a running machine unattended. Always turn off blades, set parking brake, stop engine, and remove keys before dismounting.
- Turn off blades when not mowing.
- Stop engine before removing grass catcher or unclogging chute.
- Mow only in daylight or good artificial light.
- Do not operate the machine while under the influence of alcohol or drugs.
- Watch for traffic when operating near or crossing roadways.
- Use extra care when loading or unloading the machine into a trailer or truck.
- Data indicates that operators, age 60 years and above, are involved in a large percentage of riding mower-related injuries. These operators should evaluate their ability to operate the riding mower safely enough to protect themselves and others from serious injury.

Keep machine free of grass, leaves or other debris build-up which can touch hot exhaust / engine parts and burn. Do not allow the mower deck to plow leaves or other debris which can cause build-up to occur. Clean any oil or fuel spillage before operating or storing the machine. Allow machine to cool before storage.

II. SLOPE OPERATION

Slopes are a major factor related to loss-of-control and tipover accidents, which can result in severe injury or death. All slopes require extra caution. If you cannot back up the slope or if you feel uneasy on it, do not mow it.

DO:

- Mow up and down slopes, not across.
- Remove obstacles such as rocks, tree limbs, etc.
- Watch for holes, ruts, or bumps. Uneven terrain could overturn the machine. *Tall grass can hide obstacles.*
- Use slow speed. Choose a low gear so that you will not have to stop or shift while on the slope.
- Follow the manufacturer's recommendations for wheel weights or counterweights to improve stability.
- Use extra care with grass catchers or other attachments. These can change the stability of the machine.
- Keep all movement on the slopes *slow* and *gradual*. Do not make sudden changes in speed or direction.
- Avoid starting or stopping on a slope. If tires lose traction, disengage the blades and proceed slowly *straight* down the slope.

DO NOT:

- *Do not* turn on slopes unless necessary, and then, turn slowly and gradually downhill, if possible.
- *Do not* mow near drop-offs, ditches, or embankments. The mower could suddenly turn over if a wheel is over the edge of a cliff or ditch, or if an edge caves in.
- *Do not* mow on wet grass. Reduced traction could cause sliding.
- *Do not* try to stabilize the machine by putting your foot on the ground.
- *Do not* use grass catcher on steep slopes.

III. CHILDREN

Tragic accidents can occur if the operator is not alert to the presence of children. Children are often attracted to the machine and the mowing activity. *Never* assume that children will remain where you last saw them.

- Keep children out of the mowing area and under the watchful care of another responsible adult.
- Be alert and turn machine off if children enter the area.
- Before and when backing, look behind and *down* for small children.
- Never carry children. They may fall off and be seriously injured or interfere with safe machine operation.
- Never allow children to operate the machine.
- Use extra care when approaching blind corners, shrubs, trees, or other objects that may obscure vision.

IV. SERVICE

- Use extra care in handling gasoline and other fuels. They are flammable and vapors are explosive.
 - Use only an approved container.
 - Never remove gas cap or add fuel with the engine running. Allow engine to cool before refueling. Do not smoke.
 - Never refuel the machine indoors.
 - Never store the machine or fuel container inside where there is an open flame, such as a water heater.
- Never run a machine inside a closed area.
- Keep nuts and bolts, especially blade attachment bolts, tight and keep equipment in good condition.
- Never tamper with safety devices. Check their proper operation regularly.
- Keep machine free of grass, leaves, or other debris build-up. Clean oil or fuel spillage. Allow machine to cool before storing.
- Stop and inspect the equipment if you strike an object. Repair, if necessary, before restarting.
- Never make adjustments or repairs with the engine running.
- Grass catcher components are subject to wear, damage, and deterioration, which could expose moving parts or allow objects to be thrown. Frequently check components and replace with manufacturer's recommended parts, when necessary.
- Mower blades are sharp and can cut. Wrap the blade(s) or wear gloves, and use extra caution when servicing them.
- Check brake operation frequently. Adjust and service as required.


SAFETY RULES


Safe Operation Practices for Ride-On Mowers



- Be sure the area is clear of other people before mowing. Stop machine if anyone enters the area.
- Never carry passengers or children even with the blades off.
- Do not mow in reverse unless absolutely necessary. Always look down and behind before and while backing.
- Never carry children. They may fall off and be seriously injured or interfere with safe machine operation.
- Keep children out of the mowing area and under the watchful care of another responsible adult.
- Be alert and turn machine off if children enter the area.
- Before and when backing, look behind and down for small children.
- Mow up and down slopes (15° Max), not across.
- Remove obstacles such as rocks, tree limbs, etc.
- Watch for holes, ruts, or bumps. Uneven terrain could overturn the machine. Tall grass can hide obstacles.
- Use slow speed. Choose a low gear so that you will not have to stop or shift while on the slope.
- Avoid starting or stopping on a slope. If tires lose traction, disengage the blades and proceed slowly straight down the slope.
- If machine stops while going uphill, disengage blades, shift into reverse and back down slowly.
- Do not turn on slopes unless necessary, and then, turn slowly and gradually downhill, if possible.

 Look for this symbol to point out important safety precautions. It means **CAUTION!!! BECOME ALERT!!! YOUR SAFETY IS INVOLVED.**

 **CAUTION: Do not coast down a hill in neutral, you may lose control of the tractor.**

 **CAUTION: Tow only the attachments that are recommended by and comply with specifications of the manufacturer of your tractor. Use common sense when towing. Operate only at the lowest possible speed when on a slope. Too heavy of a load, while on a slope, is dangerous. Tires can lose traction with the ground and cause you to lose control of your tractor.**

 **CAUTION: In order to prevent accidental starting when setting up, transporting, adjusting or making repairs, always disconnect spark plug wire and place wire where it cannot contact spark plug.**

CONGRATULATIONS on your purchase of a new Grass Catcher. It has been designed, engineered and manufactured to give you the best possible dependability and performance.

Should you experience any problems you cannot easily remedy, please contact your nearest authorized service center/department. They have competent, well trained technicians and the proper tools to service or repair this unit.

Please read and retain this manual. The instructions will enable you to assemble and maintain your Grass Catcher properly. Always observe the "SAFETY RULES".

TABLE OF CONTENTS

SAFETY RULES.....	2-3
BAG OF PARTS.....	4-5
ASSEMBLY.....	6-10
OPERATION.....	11

CUSTOMER RESPONSIBILITIES.....	12
STORAGE.....	12
REPAIR PARTS.....	center of manual

KNOW YOUR GRASS CATCHER

READ THIS OWNER'S MANUAL AND SAFETY RULES BEFORE ASSEMBLING OR OPERATING YOUR GRASS CATCHER. Compare the illustrations with the carton contents to familiarize yourself with the parts before starting the assembly. Study the operating instructions and safety precautions thoroughly to insure proper functioning of your Grass Catcher and to prevent injury to yourself and others. Save this manual for future reference.



The operation of any tractor can result in foreign objects thrown into the eyes, which can result in severe eye damage. Always wear safety glasses or eye shields before starting your tractor and while mowing. We recommend wide vision safety mask for over the spectacles or standard safety glasses.

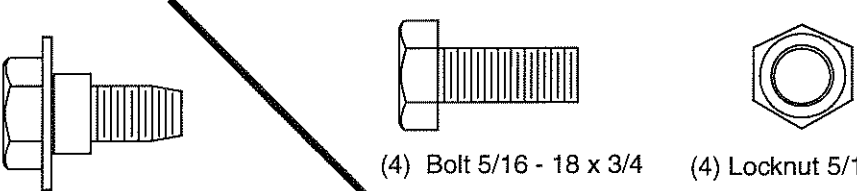

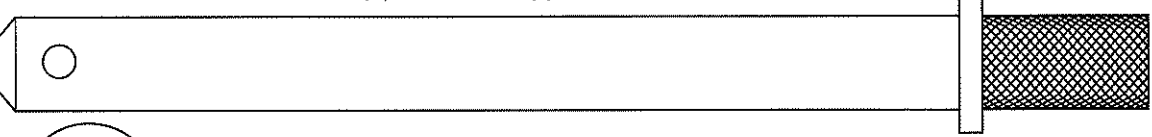
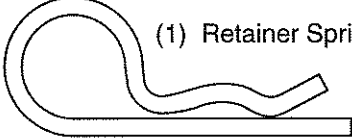
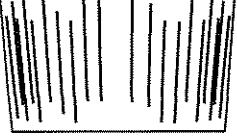
UNPACKING INSTRUCTIONS

- Remove all parts and packing materials from carton.
- Fold flaps to inside of carton and turn carton upsidedown on floor of work area. To protect grass catcher cover during assembly place cover upsidedown on overturned carton.
- Check carton contents against list. Be sure all parts are there.



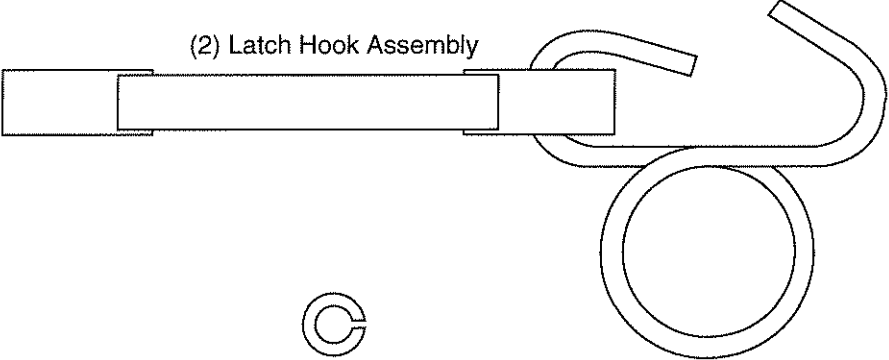
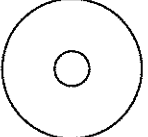
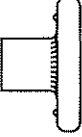

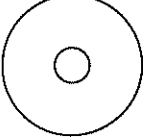
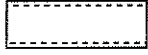
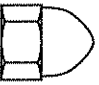


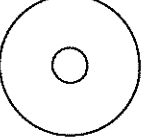
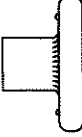
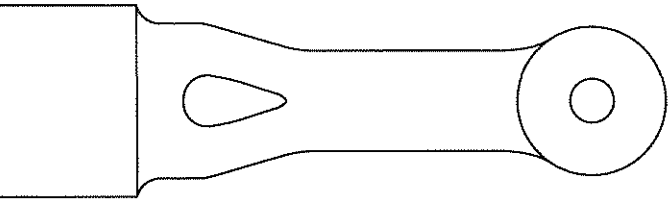
CARTON CONTENTS:

- | | |
|-----------------------|--------------------|
| (2) Container Tops | (1) Cover Assembly |
| (2) Container Bottoms | (1) Cover Seal |
| (1) Upper Chute | (1) Bag of Parts |
| (1) Lower Chute | (1) Owner's Manual |
| (1) Support Post | (2) Cross Blades |
| (1) Mounting Bracket | (2) Adapters |
| | (2) Blade Bolts |

BAG OF PARTS CONTENTS

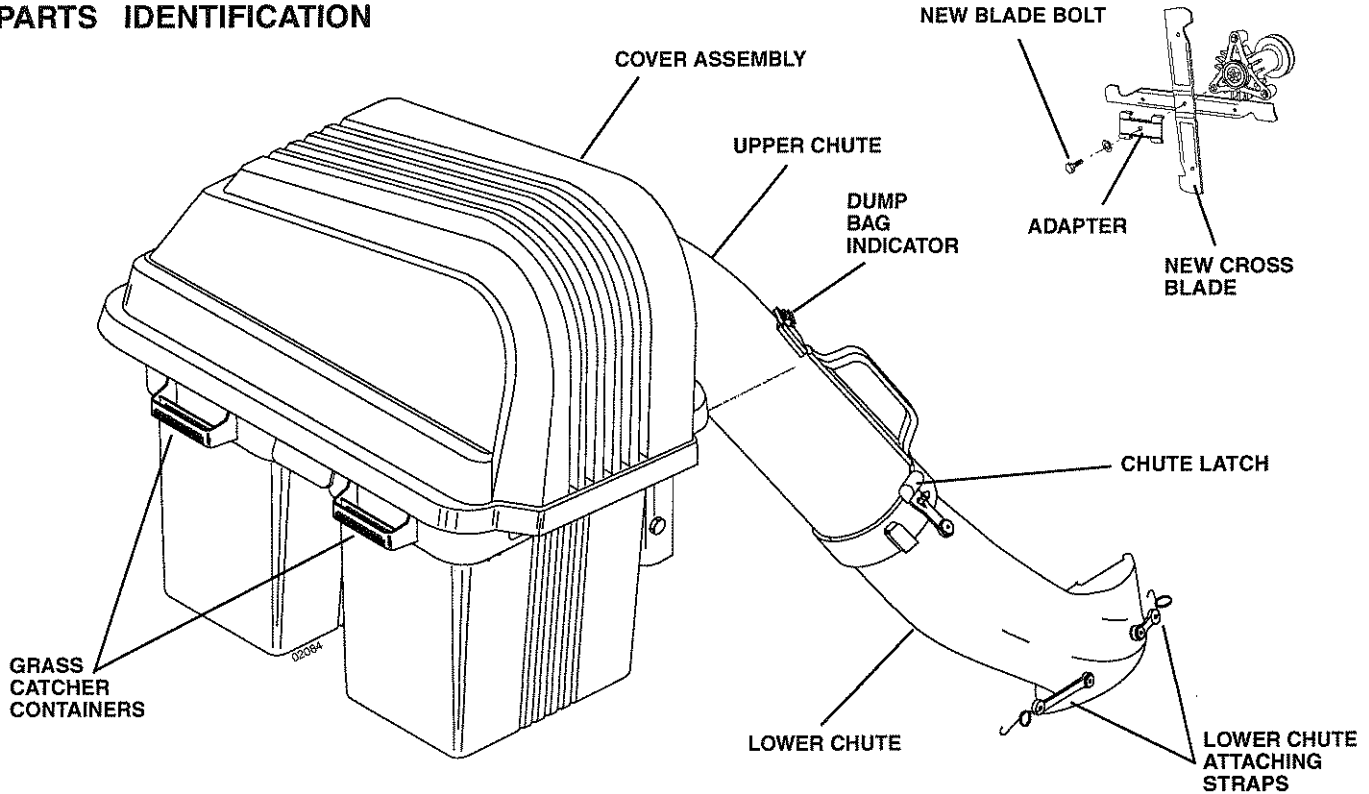
ASSEMBLY LOCATION	HARDWARE SHOWN ACTUAL SIZE	
REAR MOUNTING BRACKET TO DRAW BAR	GROUP "A"	 <p>(4) Shoulder Bolt 5/16 - 18 Self Tapping</p> <p>(4) Bolt 5/16 - 18 x 3/4</p> <p>(4) Locknut 5/16-18</p>
SUPPORT POST TO CONTAINER SUPPORT	GROUP "B"	 <p>(3) Carriage Bolt 5/16 - 18 x 3/4</p> <p>(3) Locknut 5/16-18</p>
SUPPORT POST TO MOUNTING BRACKET	GROUP "C"	<p>(1) Bracket Support Pin</p>  <p>(1) Retainer Spring</p>  <p>(3) Tubing End Caps</p> 

BAG OF PARTS CONTENTS (continued)

<p>LOWER CHUTE ASSEMBLY TO MOWER DECK</p>	<p>GROUP "D"</p> <div style="display: flex; justify-content: space-around; align-items: center; margin-top: 20px;"> <div style="text-align: center;">  (2) Screw #10 x 5/8 </div> <div style="text-align: center;">  (2) Washer, Lock #10 </div> <div style="text-align: center;">  (2) Latch Hook Assembly </div> </div> <div style="display: flex; justify-content: space-around; align-items: center; margin-top: 20px;"> <div style="text-align: center;">  (2) Washer 3/16 x 3/4 x 16 Ga. </div> <div style="text-align: center;">  (2) Nut, Weld #10 </div> </div>
<p>CHUTE LATCH ASSEMBLY TO UPPER CHUTE</p>	<p>GROUP "E"</p> <div style="display: flex; justify-content: space-around; align-items: center; margin-top: 20px;"> <div style="text-align: center;">  (1) Screw #10 x 1-1/8 </div> <div style="text-align: center;">  (2) Washer 3/16 x 3/4 x 16 Ga. </div> <div style="text-align: center;">  (1) Spacer, Split #10 </div> <div style="text-align: center;">  (1) Nut, Acorn #10 </div> </div>
<p>CHUTE LATCH ASSEMBLY TO LOWER CHUTE</p>	<p>GROUP "F"</p> <div style="display: flex; justify-content: space-around; align-items: center; margin-top: 20px;"> <div style="text-align: center;">  (1) Screw #10 x 5/8 </div> <div style="text-align: center;">  (1) Washer, Lock #10 </div> <div style="text-align: center;">  (1) Washer 3/16 x 3/4 x 16 Ga. </div> <div style="text-align: center;">  (1) Nut, Weld #10 </div> </div> <div style="text-align: center; margin-top: 20px;">  (1) Rubber Latch </div>

ASSEMBLY

PARTS IDENTIFICATION



NOTE: When right hand (R.H.) and left hand (L.H.) are mentioned in this manual, it means when you are seated on the tractor, in the operator's position.

THESE ARE THE TOOLS YOU WILL NEED TO ASSEMBLE YOUR GRASS CATCHER:

- | | |
|----------------------------|----------------------------|
| (1) 3/8" Wrench | (1) Drive Ratchet |
| (1) 1/2" Wrench | (1) 3" or longer Extension |
| (2) 9/16" Wrenches | (1) Short Handle |
| (1) 1/2" Socket | Phillips Screwdriver |
| (1) 9/16" Deep well Socket | |

CAUTION: BEFORE ASSEMBLING GRASS CATCHER TO TRACTOR:

- Depress clutch/brake pedal fully and set parking brake.
- Place gearshift/motion control lever in neutral (N) position.
- Place attachment clutch in "DISENGAGED" position.
- Turn ignition key "OFF" and remove key.
- Make sure the blade and all moving parts have completely stopped.
- Disconnect spark plug wire from spark plug and place wire where it cannot come in contact with plug.



1 REAR MOUNTING BRACKET (See Figs. 1A, 1B & 1C)

NOTE: If your tractor already has four (4) shoulder bolts installed on the rear drawbar, simply hang the mounting bracket, lanced tabs towards bottom, on the bolts. Discard hardware group "A" and disregard the remaining Step 1 instructions.

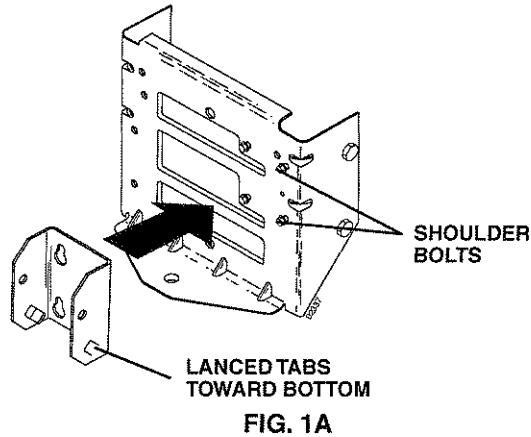


FIG. 1A

If your tractor does not have four (4) shoulder bolts installed on the drawbar, follow the instructions below.

Use Hardware - - GROUP "A"

Only one set of hardware in GROUP "A" will be used to mount the rear mounting bracket. To determine which set is correct for your tractor, check to see if there are (2) two upper corner ribs on each side of drawbar. If your tractor has the upper corner ribs, use the (4) four self tapping shoulder bolts. If your tractor does not have the corner ribs, use the set of (4) four bolts and locknuts.

SELF TAPPING SHOULDER BOLTS (See Fig. 1B)

- Using the four formed holes in the drawbar, install the four shoulder bolts as shown and tighten securely.
- Hang the mounting bracket, lanced tabs towards bottom, on the bolts.

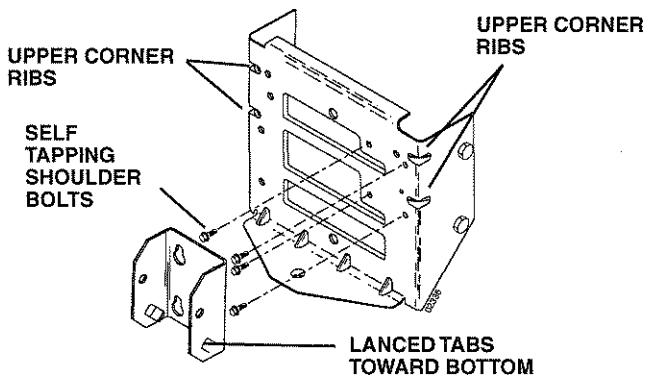


FIG. 1B

BOLTS AND LOCKNUTS (See Fig. 1C)

- Assemble the mounting bracket, lanced tabs towards bottom, using the four smaller inside holes on the drawbar.
- Install the four bolts and locknuts as shown and tighten securely.

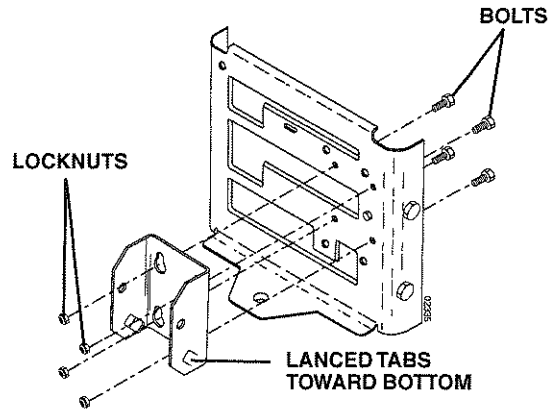


FIG. 1C

2 COVER SEAL (See Fig. 2) No hardware required

- Align mark on seal with mark at cover opening.
- Work seal into opening so cover sits between flanges of seal.

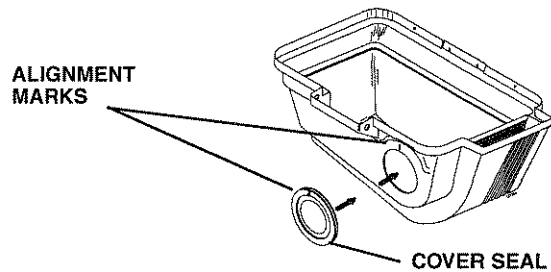


FIG. 2

3 SUPPORT POST (See Fig. 3) Use Hardware - - GROUP "B"



CAUTION: Container support is spring loaded and locked to the cover. Handle cover assembly carefully so as not to unlatch the cover from the container support.

- Rotate cover assembly onto its side as shown.
- Assemble support post to container support with the three (3) carriage bolts and locknuts. Tighten securely.

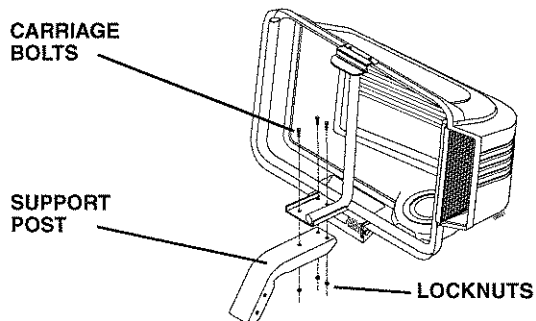


FIG. 3

4 MOUNTING COVER ASSEMBLY TO TRACTOR (See Fig. 4)

Use Hardware - - GROUP "C"

NOTE: For ease of assembly, you may wish to obtain the assistance of another person for mounting assembly to tractor.

1. Raise seat on tractor to allow assembly to be mounted.
2. With cover closed, lift assembly and place support post inside mounting bracket. Allow assembly to rest on lanced tabs of mounting bracket.
3. Line up holes in mounting bracket with holes in support post and insert bracket support pin. Secure with retainer spring.
4. Unlatch and open cover.
5. Install the three (3) tubing end caps onto container support.
6. Tap each end cap onto container support tubes to seat securely.

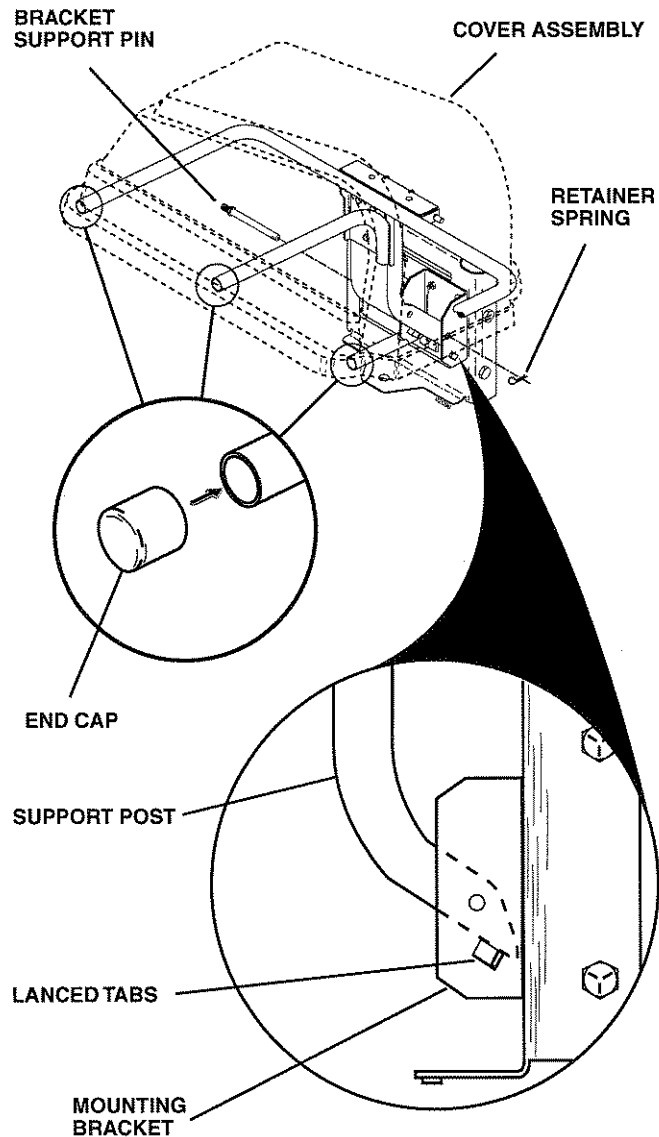


FIG. 4

5 CONTAINER ASSEMBLY (See Fig. 5)

No hardware required

1. Place bottom half inside of top half, as shown.
2. Place one foot inside bottom half and lift top half to meet bottom half.
3. Press halves tightly together while lifting top to lock into place as shown.

IMPORTANT: BEFORE LOCKING THE TABS, HOOKED EDGES ON BOTH HALVES MUST OVERLAP TO FORM SEAL AS SHOWN IN INSET.

4. Repeat for other containers.

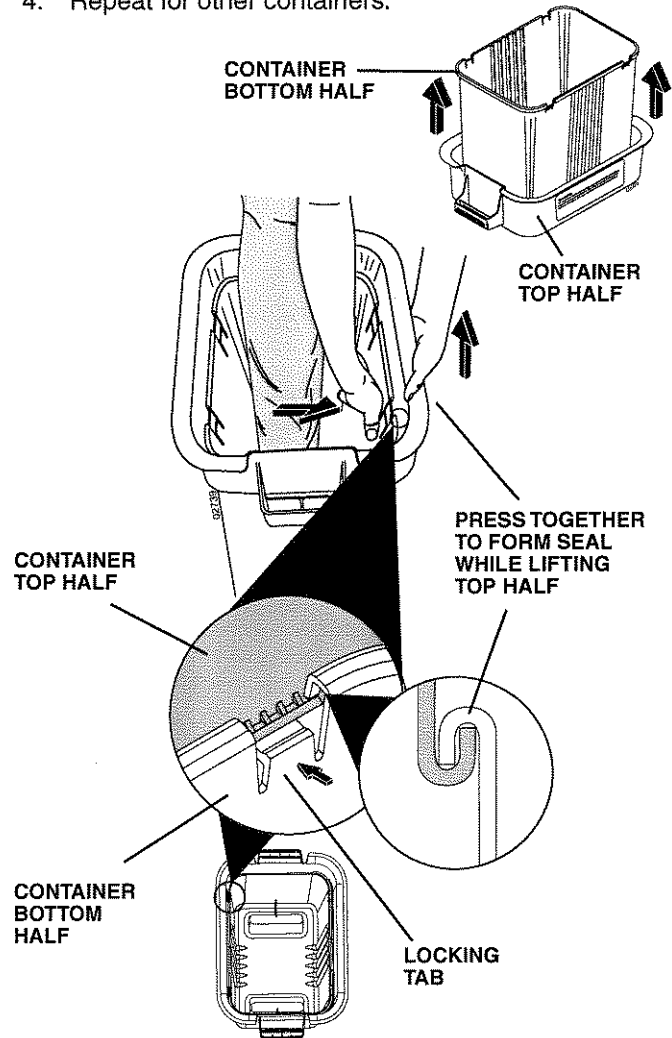
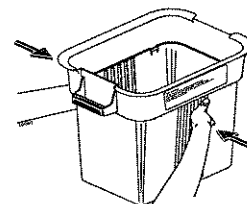


FIG. 5

ASSEMBLY CHECK: Squeeze sides of lower half of container and check that there is no gap between upper and lower halves. If a gap appears, unlock tabs to separate container halves and repeat instructions above.



6 CONTAINER MOUNTING (See Fig. 6) No hardware required

1. Install one container to left side first with warning to outside of unit. Install other container to right side.

NOTE: Right container should always overlap left container at center support.

2. Close cover and lock latch handle over center support tube.

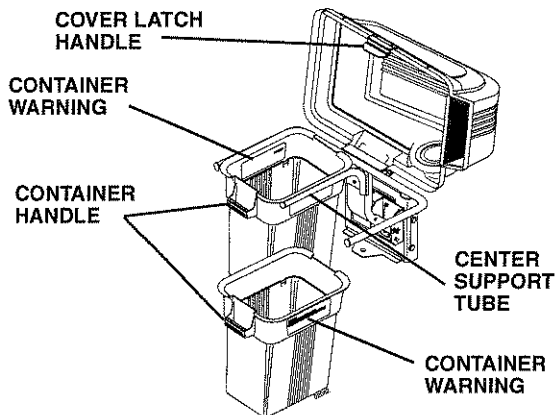


FIG. 6

7 LOWER CHUTE (See Figs. 7A & 7B) Use Hardware - - GROUP "D"

1. Press weld nut into rubber latch and install two latch hook assemblies to lower chute using screw, flat washer, and lock washer as shown.
2. Tighten hardware securely.
3. Raise and hold deflector shield in upright position.
4. Place front of chute over front of mower deck opening and slide into place as shown.
5. Hook front latch down into latch hole at front of mower deck.
6. Hook rear latch down into latch hole at back of mower deck.



CAUTION: Do not remove discharge guard from mower. Raise and hold guard when attaching lower chute and allow it to rest on chute while in operation.

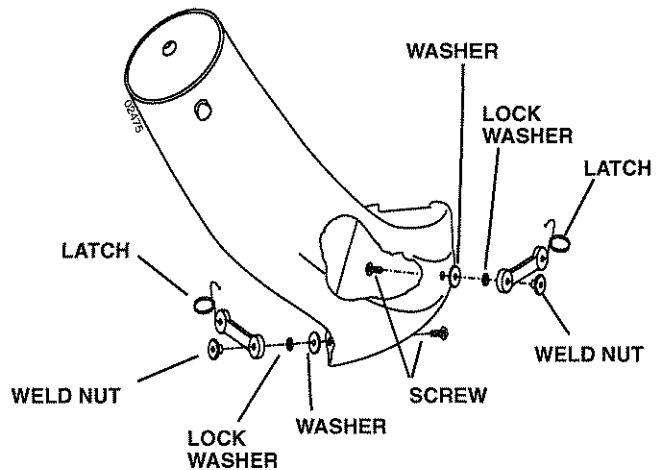


FIG. 7A

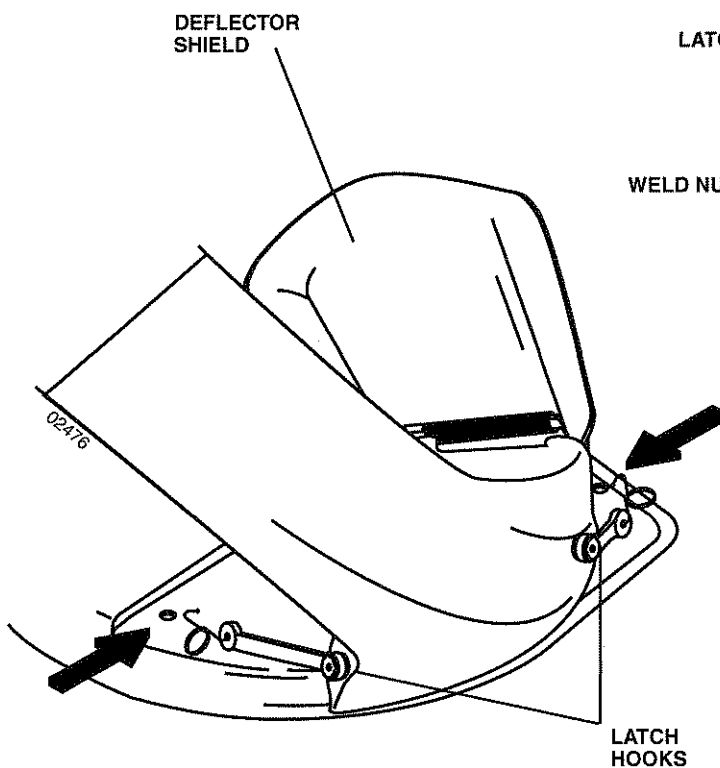


FIG. 7B

8 CHUTE LATCH ASSEMBLY (See Fig. 8)

Use Hardware - - GROUPS "E & F"

1. Assemble latch pin to upper chute, as shown.
2. Press weld nut into rubber latch and assemble rubber latch to lower chute, as shown.
3. Tighten all hardware securely.

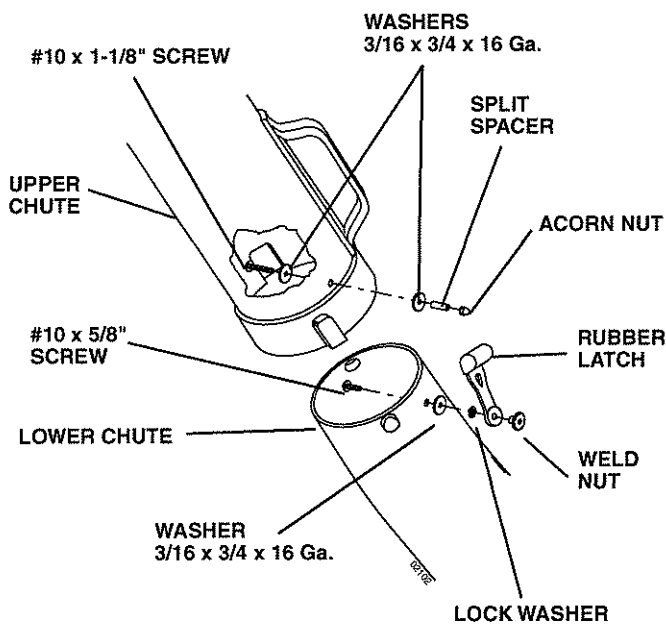


FIG. 8

9 UPPER CHUTE (See Figs. 9A & 9B) No hardware required

1. Lower mower deck to its lowest cutting position.
2. Assemble upper chute by inserting curved end into hole in back of cover.

NOTE: Handle carefully so as not to damage dump bag indicator.

3. Push in and turn upper chute until it is in line with lower chute.
4. Align the bosses on lower chute with alignment slots on upper chute and slide together.
5. Secure with rubber latch by hooking hole in latch over latch pin.

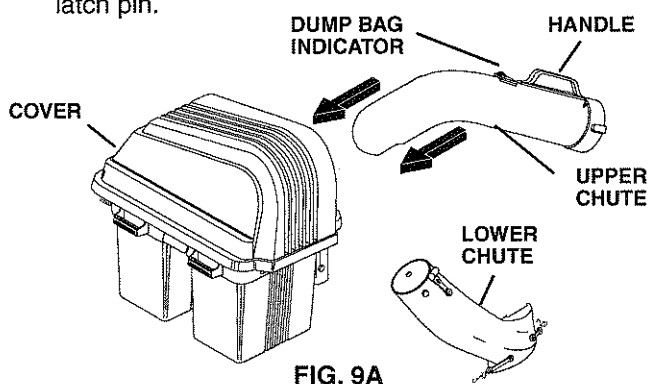


FIG. 9A

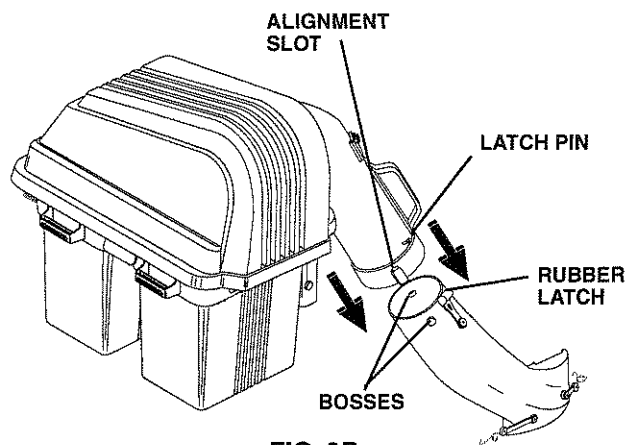


FIG. 9B

10 INSTALL CROSS BLADES (See Fig. 10) New Blade Bolts supplied

The blade mounting bolts provided in this kit must be used when mounting the cross blades to your mower. Do not discard the hardware removed from single blade assembly. The shorter single blade bolt and flat washer must be used when converting back to a single blade.

1. Remove blade bolt, lock washer and flat washer securing blade.
2. In a safe place, store the blade bolt and flat washer for future use when converting back to a single blade.
3. Install cross blade and adapter on bottom of original blade with new blade mounting bolt provided and lock washer removed from single blade assembly.

IMPORTANT: To ensure proper assembly, center hole in original blade must align with star on mandrel assembly.

4. Tighten blade bolt securely (27-35 Ft. Lbs. torque).

Store Bolt and Flat Washer in a safe place

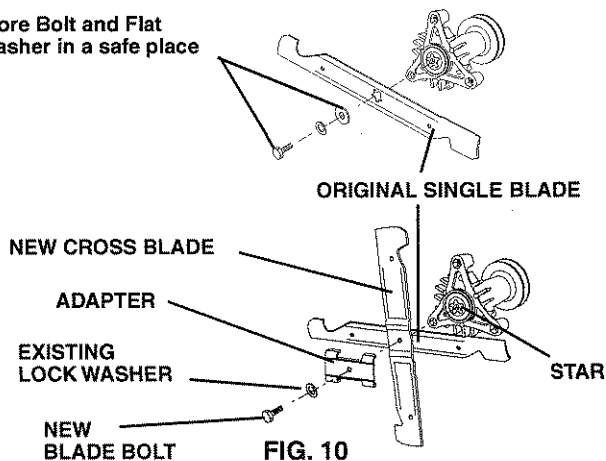


FIG. 10

11 LEVEL MOWER DECK

Be sure deck is properly leveled for best mower performance. See your tractor's owner's manual for instructions.

OPERATION

TIPS FOR IMPROVED BAGGING OPERATION:

Follow the mower operation instructions in your tractor owner's manual.

When operating your grass catcher on a lawn where grass and leaf bagging equipment has not been used, you are picking up thatch and debris that has accumulated for long periods of time. The amount collected and the total time of operation may be greater than you will experience with regular use of your grass catcher.

- Always run throttle at full speed when bagging.
- Select a gear low enough to give good mower cutting performance, good quality cut and good bagging performance.

NOTE: It may be necessary to overlap width of cut to suit your conditions.

- If grass is extremely tall, it should be mowed twice. The first time relatively high, the second time to desired height.
- Use left hand side of mower for trimming.
- Plastic trash bags can be inserted inside grass catcher containers for ease of debris disposal. To remove the plastic trash bags when full:
 - a. Disengage blades, shift into neutral, engage the parking brake and stop the engine.
 - b. Raise seat. Unlatch and raise cover.
 - c. Remove one container at a time by grasping container handles and pulling toward the rear, off of the tube rails.
 - d. With the container resting on the ground, close and secure the top of the plastic lawn bag.
 - e. Tip the container on its side and slide the filled bag from the container.
 - f. Install a new plastic lawn bag with the edges of the bag draped over upper lip of the container.
 - g. Repeat for other containers.
 - h. Reinstall containers making sure right container overlaps left container at center supports.
 - j. Close cover and secure latches over center support tubes.

- Avoid cutting wet grass or in the morning while the dew is still heavy. Grass clippings collected under these conditions tend to be sticky and adhere to the walls of the flow path causing clogging.
- Your bagger is equipped with a dump bag indicator. As the bags become full, the flow indicating ball will drop down in its slot, indicating that the bags are full or the chutes have become clogged. Care should be taken not to damage the parts and that the ball moves freely at the beginning of each use.

NOTE: To help prevent clogging of chutes, check/empty bags when ball begins to drop down in the slot. Experience will teach you the best time to empty the bags.

- If the grass catcher fails to pick up cut grass or leaves, it is an indication that clogging has occurred in the system or that the grass catcher containers are full.
 - a. Disengage blades, shift into neutral, engage the parking brake and stop the engine.
 - Raise seat. Unlatch and raise cover.
 - Slide out containers and dispose of clippings .
 - Replace containers, close cover, and latch.
 - b. Unlatch chutes and check for clogging
 - Remove all debris in chutes.
 - Reassemble and latch chutes
 - c. Check to insure dump bag indicator has not become clogged.
 - The air passage hole must be clear of debris. Gently insert a small twig or wire into passageway to clear.



CAUTION

- Do not operate mower with grass catcher partially installed.
- Disengage blades and stop engine before leaving tractor seat to empty containers, unclogging chutes, etc.
- Close cover before starting.
- Disengage mower when crossing driveways or gravel surfaces and other areas where thrown objects could be a hazard.
- Do not attempt to vacuum up cans or other potentially hazardous projectiles.

CUSTOMER RESPONSIBILITIES

GENERAL RECOMMENDATIONS

Always observe safety rules when performing any maintenance.

- Before each use check for loose fasteners.
- Clean unit thoroughly after each use.

BLADE CARE

For best results mower blades must be kept sharp. Replace bent or damaged blades.

- See BLADE CARE instructions in your tractor owner's manual.

STORAGE

When grass catcher is to be stored for a period of time, clean it thoroughly, remove all dirt, grass, leaves, etc. Store in a clean, dry place.



CAUTION: Do not leave grass in bagger containers. Empty containers after each use and before storing. Failure to do so may result in spontaneous combustion which could develop into a fire.



CAUTION: BEFORE PERFORMING ANY MAINTENANCE, SERVICE OR ADJUSTMENTS:

- Depress clutch brake pedal fully and set parking brake.
- Place gearshift/motion control lever in "NEUTRAL" position.
- Place clutch control in "DISENGAGED" position.
- Turn ignition key to "OFF" position.
- Make sure blades and all moving parts have completely stopped.
- Disconnect spark plug wire(s) from spark plug(s) and place wire where it cannot come in contact with plug.

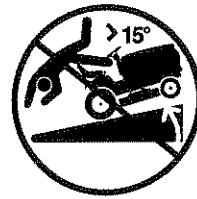


CAUTION: Grass catcher components are subject to wear, damage and deterioration, which could expose moving parts or allow objects to be thrown. Frequently check components and replace with manufacturer's recommended parts, when necessary.




RÈGLES DE SÉCURITÉ

CONSEILS POUR L'UTILISATION EN TOUTE SÉCURITÉ DES TONDEUSES AUTOPORTÉES




- Assurez-vous que la zone est dégagée d'autres personnes avant de commencer à tondre. Arrêtez la machine au cas où n'importe qui entre dans cette zone.
- Ne portez jamais des passagers ou des enfants même avec les lames arrêtées.
- Ne tondez pas en marche arrière à moins qu'absolument nécessaire. Regardez toujours en bas et en arrière avant et pendant que vous reculez.
- Ne transportez jamais des enfants. Ils pourraient tomber et être sérieusement blessés ou gêner le fonctionnement de la machine.
- Gardez les enfants hors de la zone à tondre et sous la surveillance d'un autre adulte digne de confiance.
- Soyez alerte et arrêtez la machine au cas où un enfant entre dans la zone à tondre.
- Avant et pendant que vous reculez, regardez toujours en bas et en arrière, pour vous assurer il n'y a pas des petits enfants.
- Tondez les pentes (15° max.) en montant ou en descendant mais jamais perpendiculairement à la déclivité.
- Enlevez les obstacles tels que les pierres, les branches des arbres, etc.
- Faites attention aux dépressions, aux ornières, aux irrégularités du terrain. Un terrain irrégulier peut retourner la machine. L'herbe haute peut cacher des obstacles.
- Utilisez une vitesse réduite. Choisissez une vitesse réduite pour ne pas avoir à arrêter ou à changer de vitesse sur la pente.
- Évitez les démarrages et les arrêts sur une pente. Au cas où les pneus déparent, désengagez les lames et descendez la pente en suivant la déclivité maximale.
- Si la machine cesse d'aller dans la montée, arrêtez les lames et reculez lentement.
- Ne virez pas lorsque que vous êtes présents sur une pente à moins que cela soit absolument nécessaire. Dans le cas où il est nécessaire de virer, virer lentement, progressivement et, si possible, vers le fond de la pente.

 Ce symbole signale les points importants en matière de sécurité. Il signifie - **ATTENTION !!!, SOYEZ PRUDENT !!! VOTRE SÉCURITÉ EST EN JEU.**

 **ATTENTION: Ne descendez pas les pentes à point mort, vous pourriez perdre la commande du tracteur.**

 **ATTENTION: Remorquez seulement les accessoires recommandés par et selon les spécifications du fabricant de votre tracteur. Utilisez votre bon sens pendant que vous remorquez. Opérez seulement avec la vitesse la plus réduite pendant que vous allez sur une pente. Il est dangereux d'avoir un chargement trop lourd pendant que vous opérez sur une pente. Les pneus peuvent détruire la traction avec la terre et vous faire perdre la commande de votre tracteur.**

 **ATTENTION: Débranchez toujours le fil de bougie d'allumage et pour prévenir les démarrages accidentels, posez-le de telle façon qu'il ne puisse pas entrer en contact avec la bougie d'allumage lors de l'installation, du transport, des ajustements ou des réparations.**

FÉLICITATIONS sur votre achat d'un ramasse-herbe. Il a été conçu, façonné, et fabriqué à vous donner le meilleur fiabilité et le meilleur rendement possible. Si vous auriez les problèmes que vous ne pouvez pas résoudre, veuillez prendre contact le centre d'entretien autorisé le plus proche. Vous y trouverez les techniciens bien qualifiés et les outils appropriés pour la réparation et l'entretien de ce modèle.

Veuillez lire et conserver ce manuel. Les instructions vous pourront monter et entretenir correctement votre ramasse-herbe. Suivez toujours les "Règles de Sécurité".

SOMMAIRE

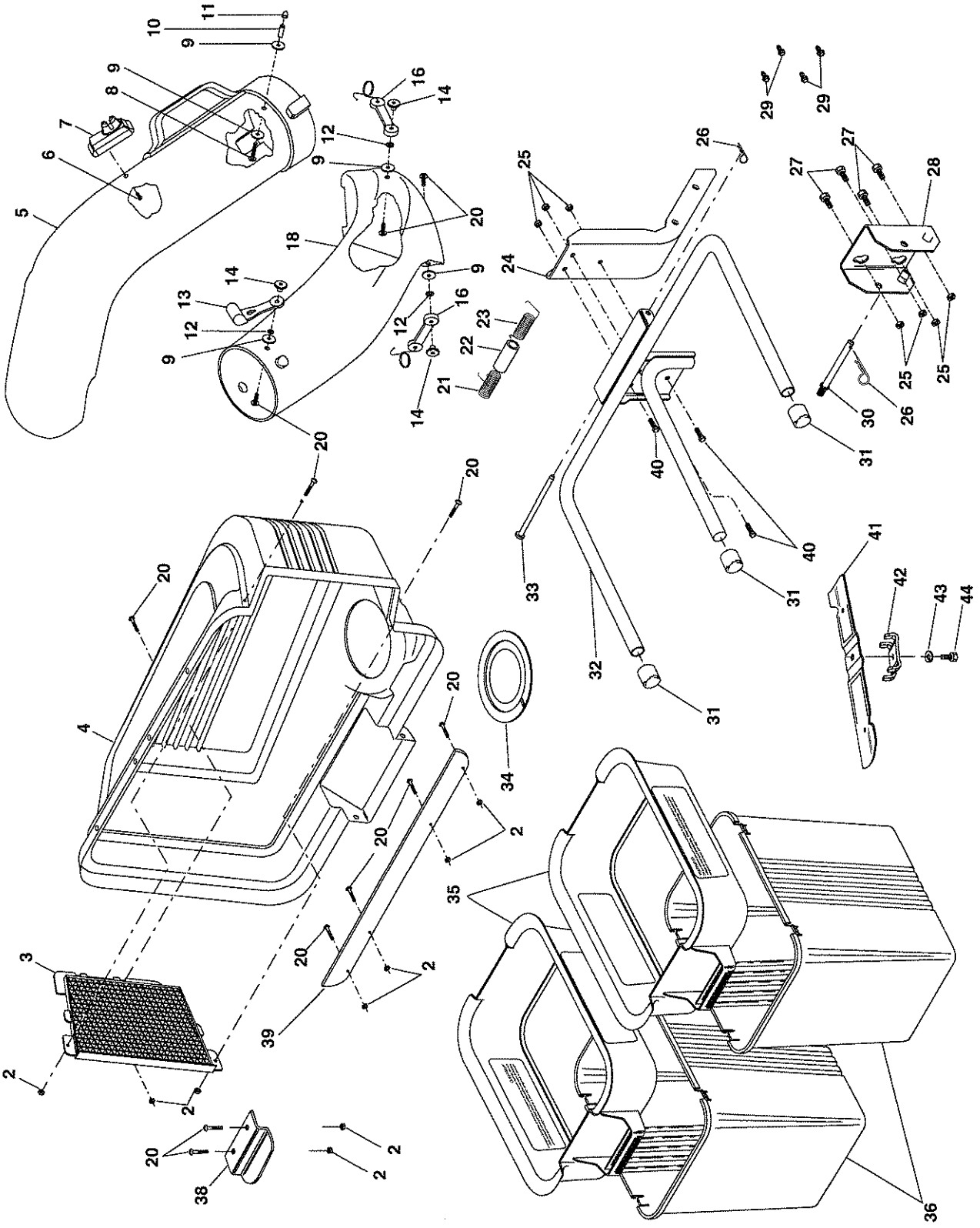
RÈGLES DE SÉCURITÉ.....	2-3
SAC DES PIÈCES.....	4-5
MONTAGE.....	6-10
UTILISATION.....	11

RESPONSABILITÉS DU CLIENT	12
ENTREPOSAGE	12
PIÈCES DE RECHANGE.....	Au centre de ce manuel

NOTES

REPAIR PARTS / PIÈCES DE RECHANGE

GRASS CATCHER - - MODEL NUMBER CES36A / RAMASSE-HERBE - - NUMÉRO DE MODÈLE CES36A
PRODUCT NUMBER 964 77 50-00 / NUMÉRO DE PRODUIT 964 77 50-00



REPAIR PARTS / PIÈCES DE RECHANGE

GRASS CATCHER - - MODEL NUMBER CES36A / RAMASSE-HERBE - - NUMÉRO DE MODÈLE CES36A
 PRODUCT NUMBER 964 77 50-00 / NUMÉRO DE PRODUIT 964 77 50-00

KEY NO.	PART NO.	DESCRIPTION	DESCRIPTION	KEY NO.	PART NO.	DESCRIPTION	DESCRIPTION
2	532069180	Nut, Crownlock #10-24	Écrou auto-serrant #10-24	24	532180925	Post, Support	Poteau de soutien
3	532127533	Screen, Cover	Grillage de couvercle	25	873800500	Locknut 5/16 x 18	Écrou frein 5/16 x 18
4	532171061	Cover Assembly (Includes 3,38,39)	Couvercle Ens. (Y compris 3,38,39)	26	532124670	Spring, Retainer	Ressort de retenue
5	532128598	Chute, Upper	Glissière supérieure	27	874760512	Bolt, Hex 5/16-18 x 3/4	Boulon H 5/16-18 x 3/4
6	818021008	Screw, Special #10-14x1/2	Vis spéciale #10-14x1/2	28	532170053	Bracket, Mounting	Support de montage
7	532140572	Dump Bag Indicator	Indicateur de sac de déchargement	29	532170165	Shoulder Bolt	Boulon
8	532087175	Screw, #10-24 x 1-1/8	Vis #10-24 x 1-1/8	30	532131137	Pin, Support Post	Goupille du poteau de soutien
9	819061216	Washer #10	Rondelle #10	31	532174083	Plug, Tubing End	Chapeau de l'extrémité de tuyau
10	532007206	Spacer, Split	Entretoise fendue	32	532126919	Bagger, Frame	Cadre de ramasse-herbe
11	532060867	Nut, Acorn #10-24	Écrou borgne #10-24	33	532128600	Pin, Hinge	Goupille de charnière
12	810071000	Washer, lock #10	Rondelle frein #10	34	532127534	Gasket, Cover	Garniture de couvercle
13	532109808	Latch, Chute	Loquet de glissière	35	532183286	Container, Top	Conteneur supérieur
14	532125004	Nut, Weld	Axe du loquet	36	532129586	Container, Bottom	Conteneur inférieur
16	532160793	Latch Hook Asm.	Crochet de loquet	38	532130895	Latch Handle, Cover	Poignée de loquet de couvercle
18	532174570	Chute, Lower	Glissière inférieure	39	532155042	Strip, Reinforcement	Bande
20	871081010	Screw #10-24 x 5/8	Vis #10-24 x 5/8	40	872110506	Carriage Bolt 5/16-18x3/4	Boulon de chariot 5/16-18 x 3/4
21	532132796	Spring, Cover L.H. (black)	Ressort de couvercle C.G.	41	532180415	Blade, Cross 36	Lame de 36
22	532133235	Spacer, Cover	Entretoise de couvercle	42	532180420	Adapter	Adaptateur
23	532132983	Spring, Cover R.H. (gray)	Ressort de couvercle C.D.	43	810030600	Washer, lock 3/8	Rondelle frein 3/8
				44	532181712	Bolt, Blade	Boulon de lame
				—	532182124	Owner's Manual	Manuel du propriétaire

NOTES

RESPONSABILITÉS DU CLIENT

RECOMMANDATIONS GÉNÉRALES

Observez toujours les règles de sécurité quand vous faites l'entretien.

- Avant chaque utilisation, vérifiez pour les attaches lâches.
- Nettoyez complètement le produit après chaque utilisation.

SOIN DES LAMES

Pour obtenir les meilleurs résultats, les lames de tondeuse doivent être conservées tranchantes. Remplacez les lames courbées ou avariées.

- Voyez les instructions du Soin de Lames dans le manuel du propriétaire de votre tracteur.



ATTENTION: AVANT D'EFFEC TUER TOUS L'ENTRETIEN, L'INS PECTION, OU RÉGLAGE:

- Appuyez complètement sur la pédale de frein/embrayage et fixez le frein de stationnement.
- Mettez le levier de commande de changement de vitesse/mouvement en position à point mort (N).
- Mettez le levier de commande d'embrayage en la position débrayée (DISENGAGED).
- Tournez la clé de contact en position d'arrêt (OFF).
- Assurez-vous que les lames et toutes les pièces mobiles soient complètement arrêtées.
- Débranchez le(s) fil(s) de bougie d'allumage et posez-le(s) de telle façon qu'il(s) ne puisse pas entrer en contact avec la (les) bougie(s).



ATTENTION: Les composants du ramasse-herbe sont fabriquées du matériau très résistant. Cependant, en cas d'usure excessive ou endommagement, remplacez-les immédiatement. Les composants doivent être conformés aux spécifications du fabricant afin d'assurer un bon fonctionnement et la sécurité du produit.

ENTREPOSAGE

Quand le ramasse-herbe doit être entreposé pour une certaine période, nettoyez-le soigneusement. Enlevez toutes les saletés, la graisse, les débris de feuille. Entreposez dans un espace propre et sec.



ATTENTION: Ne permettez pas de rester de l'herbe coupée dans le ramasse-herbe! Ceci peut causer un danger d'incendie. Videz les conteneurs après chaque usage et avant d'entreposer.

UTILISATION

CONSEILS POUR AMÉLIORER LE RAMASSAGE:

Suivez les instructions de l'utilisation de la tondeuse dans votre manuel du propriétaire de tracteur.

Quand vous utilisez votre ramasse-herbe sur une pelouse où l'équipement du ramassage d'herbe et de feuille n'a pas été utilisé, vous ramassez le chaume et les débris qui ont accumulé pendant les durées longues. La quantité rassemblée et le temps de l'exploitation peuvent être plus grands que vous éprouverez avec l'utilisation habituelle de votre ramasse-herbe.

- Mettez toujours la commande des gaz à pleine force pendant le ramassage.
- Choisissez une vitesse assez basse qui permettra un rendement, une bonne qualité de coupe ainsi qu'un bon rendement de ramassage.

REMARQUE: Il peut être nécessaire chevaucher la largeur de coupe pour convenir à vos conditions.

- Quand l'herbe est extrêmement longue, elle doit être coupée deux fois; la première fois relativement haute, la deuxième fois à la hauteur désirée.
- Utilisez le côté à gauche de la tondeuse pour rogner.
- Les sac-poubelles de plastique peuvent être insérés dans les conteneurs du ramasse-herbe pour faciliter la disposition des débris. Pour enlever les sac-poubelles de plastique quand ils sont pleins:
 - a. Dégagez les lames, mettez le levier de changement de vitesse au point mort, enclenchez le frein de stationnement et coupez le moteur.
 - b. Soulevez le siège. Levez le loquet et soulevez la couverture.
 - c. Enlevez un (1) conteneur à une fois en empoignant les poignées de conteneur. Vous le tirez vers l'arrière et glissez-les des tubes.
 - d. Posez le conteneur sur la terre puis fermez et fixez le sommet du sac-poubelle.
 - e. Basculez le conteneur sur son côté et glissez le sac-poubelle plein hors du conteneur.
 - f. Mettez en place un nouveau sac-poubelle avec les bords du sac drapés sur le bord supérieur du conteneur.
 - g. Répétez les instructions ci-dessus pour l'autre conteneur.
 - h. Remettez en place les conteneurs mais faites attention que le conteneur à droite chevauche le conteneur à gauche sur le soutien central.
 - j. Fermez le couvercle et fixez le loquet sur le tuyau du soutien central.

- Évitez de tondre le gazon mouillé ou pendant le matin lorsque la rosée est très lourde. L'herbe coupée qui a amassée sous ces conditions a une tendance à coller aux parois et à bloquer le ramasse-herbe.
- Votre ramasse-herbe est équipé avec un indicateur de sac de déchargement. Comme les sacs deviennent pleins, la boule d'indicateur de débit baissera dans l'encoche qui indiquera que les sacs sont pleins ou les glissières sont bloquées. Faites attention pour que les pièces ne soient pas avariées et la boule bouge librement au commencement de chaque utilisation.

REMARQUE: Afin d'éviter le blocage des chutes, vérifiez/vidiez les sacs lorsque la boule commence à se laisser tomber vers le bas dans la fente. L'expérience vous montrera le temps idéal pour vider les sacs.

- Si le ramasse-herbe cesse de ramasser l'herbe coupée ou les feuilles, il sera une indication d'un blocage dans le système ou que les conteneurs du ramasse-herbe sont pleins. Ceci est indiqué quand l'indicateur de sac plein ne bouge pas.
 - a. Dégagez les lames, mettez le levier de changement de vitesse au point mort, enclenchez le frein de stationnement et coupez le moteur.
 - Soulevez le siège, décliquetez et soulevez le couvercle.
 - Glissez les conteneurs et déposez de l'herbe coupée.
 - Remettez en place les conteneurs, fermez le couvercle et encliquetez le loquet.
 - b. Décliquetez les glissières et cherchez pour les blocages.
 - Enlevez tous les débris dans les glissières.
 - Montez encore et encliquetez les glissières
 - c. Vérifiez que l'indicateur de sac de déchargement n'a pas été obstrué.
 - Le trou du passage d'air doit être libre des débris. Insérez doucement une petite brindille ou un petit fil dans le passage à dégager.



ATTENTION

- **N'utilisez pas la tondeuse avec le ramasse-herbe installé partiellement.**
- **Dégagez les lames et coupez le moteur avant de descendre le siège de tracteur à vider les conteneurs, débistuez les glissières, etc.**
- **Fermez le couvercle avant de démarrer le moteur.**
- **Dégagez la tondeuse lorsque vous traversez des surfaces en gravier ou lorsqu'il y a un danger que des objets pourraient être projetés.**
- **N'essayez pas de ramasser les bidons ou les autres objets qui pourraient être dangereux.**

8 ENSEMBLE DU LOQUET DE GLISSIÈRE (Voir Fig. 8)

Utilisez la visserie - Groupes "E" & "F"

1. Montez la goupille de loquet à la glissière supérieure comme montré.
2. Montez le loquet de caoutchouc à la glissière inférieure comme montré.
3. Serrez à fond la visserie.

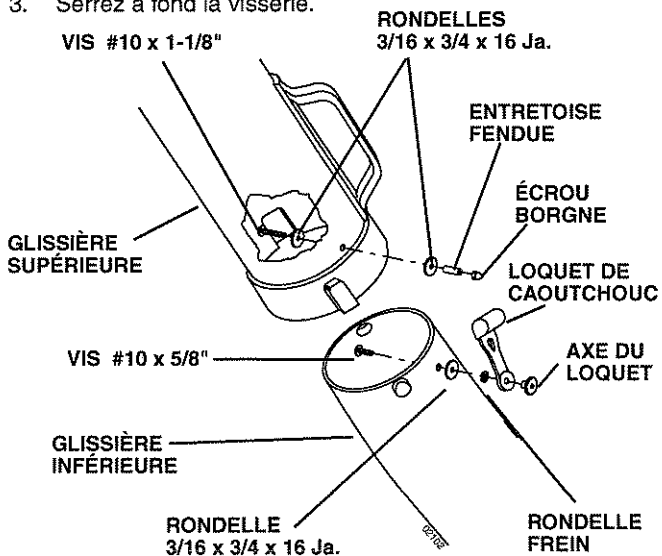


FIG. 8

9 GLISSIÈRE SUPÉRIEURE (Voir Figs. 9A & 9B)

La visserie n'est pas exigée.

1. Baissez le carter de tondeuse à la position de coupe plus basse.
2. Montez la glissière supérieure en insérant l'extrémité courbée dans le trou en l'arrière du couvercle.

REMARQUE: Faites attention pour que l'indicateur de sac déchargement ne soit pas avarié.

3. Intercalez et tournez la glissière supérieure jusqu'à ce qu'elle aligne avec la glissière inférieure.
4. Alignez les bossés sur la glissière inférieure avec les fentes d'alignement sur la glissière supérieure et glissez-les ensemble.
5. Fixez avec le loquet de caoutchouc en accrochant le loquet par-dessus de la goupille de loquet.

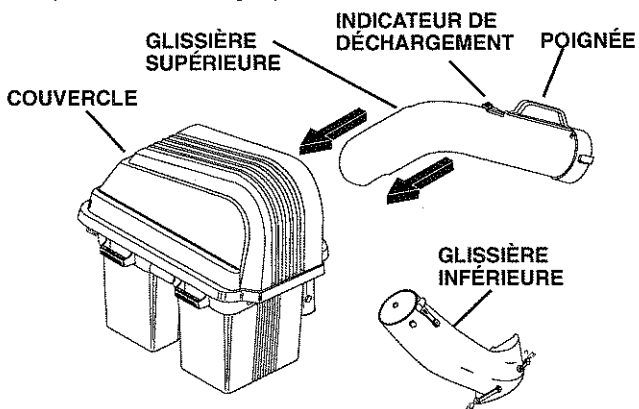
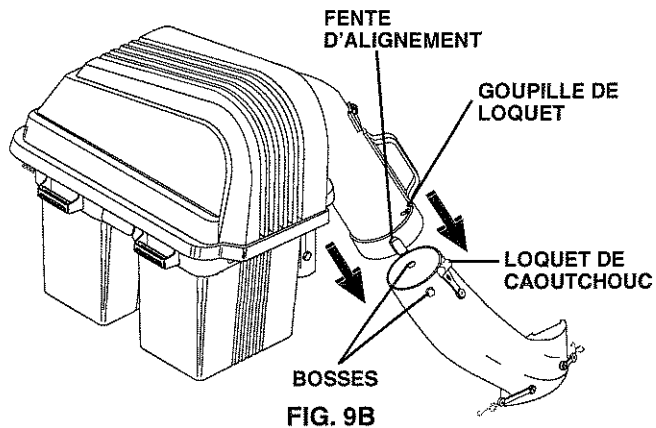


FIG. 9A



10 INSTALLEZ LES LAMES TRANSVERSALES (Voir Fig. 10)

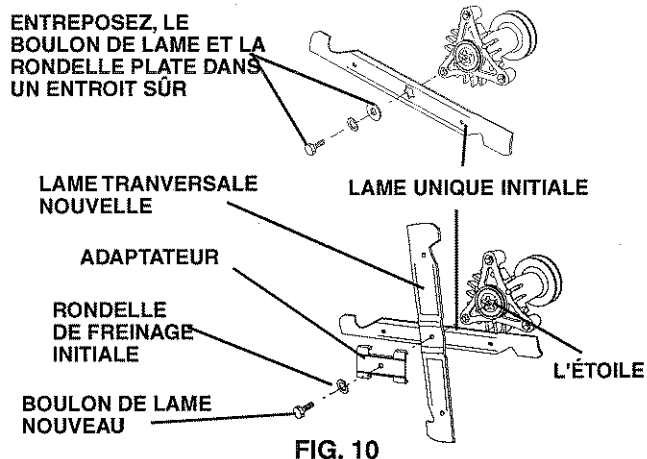
Boulons de fixation de lame fournis.

Les boulons de fixation de lame fournis dans ce jeu doivent être utilisés en montant les lames transversales à votre tondeuse. Ne jetez pas le matériel enlevé de l'ensemble de lame unique. Le boulon de lame unique plus court et la rondelle plate doivent être utilisés pendant la conversion à lame unique.

1. Enlevez le boulon de lame, la rondelle frein et la rondelle plate qui fixent la lame à la tondeuse.
2. Entrez le boulon de lame et la rondelle plate, dans un endroit sûr, pour la conversion à lame unique.
3. Installez la lame transversale et l'adaptateur sur le bas de la lame initiale avec le nouveau boulon de fixation de lame fourni et serrez la rondelle enlevée de l'ensemble de lame unique.

IMPORTANT: Pour assurer l'assemblage adéquate, alignez le trou du centre de lame avec l'étoile de l'assembly du mandrin.

4. Serrez à fond le boulon de lame, couple de rotation 37-47 N/m (27-35 ft. lbs.).



11 NIVELER LE CARTER DE TONDEUSE

Faites attention que le carter de tondeuse est correctement nivelé pour le meilleur rendement de la tondeuse. Référez-vous au manuel du propriétaire de votre tracteur pour les instructions.

6 MONTER DU CONTENEUR (Voir Fig. 6)

La visserie n'est pas exigée.

1. Installez premièrement un conteneur au côté à gauche avec la décalcomanie d'avertissement à l'extérieur de l'élément. Installez l'autre conteneur au côté à droite.

REMARQUE: Le conteneur à droite devrait toujours chevaucher le conteneur à gauche au soutien central.

2. Fermez le couvercle et verrouillez la poignée de loquet par-dessus du tuyau de soutien central.

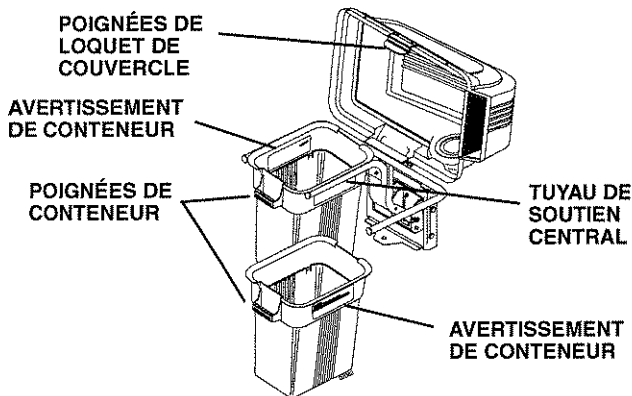


FIG. 6

7 GLISSIÈRE INFÉRIÈRE (Voir Figs. 7A et 7B)

Utilisez la visserie - - GROUPE "D"

1. Installez les deux ensembles de crochet de loquet à la glissière inférieure en utilisant la vis, la rondelle, la rondelle frein et l'écrou spécial comme montré.
2. Serrez à fond la visserie.
3. Soulevez et tenez le déflecteur de décharge dans une position droite.
4. Mettez le devant de la glissière par-dessus du devant de l'ouverture du carter de tondeuse et glissez-le en place, comme montré.
5. Accrochez le loquet antérieur dans le trou de verrou à l'avant du carter de tondeuse.
6. Accrochez le loquet arrière dans le trou de verrou au dos du carter de tondeuse.



ATTENTION: N'enlevez pas le déflecteur de décharge de la tondeuse. Soulevez et tenez le déflecteur quand vous fixez la glissière inférieure et permettez-le de reposer sur la glissière pendant l'utilisation.

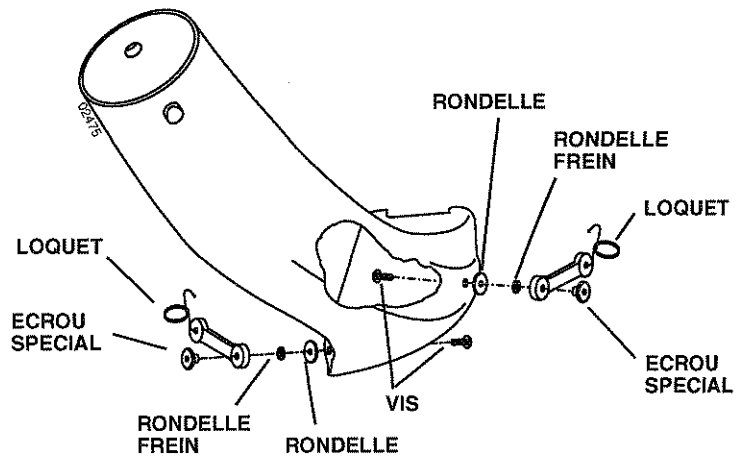


FIG. 7A

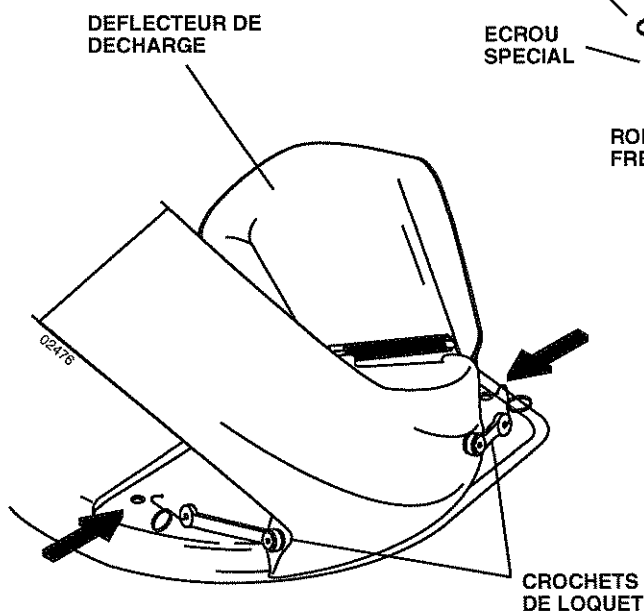


FIG. 7B

4 MONTER AU TRACTEUR (Voir Fig. 4)

Utilisez la visserie -- GROUPE "C"

REMARQUE: Pour faciliter le montage, vous pouvez souhaiter à obtenir l'assistance d'une autre personne pour monter l'ensemble au tracteur.

1. Soulevez le siège sur le tracteur de permettre l'ensemble d'être monté.
2. Avec le couvercle fermé, soulevez l'ensemble et mettez le poteau de soutien à l'intérieur du support de montage. Permettez de reposer l'ensemble sur les pattes percées du support de montage.
3. Alignez les trous du support de montage avec les trous du poteau de soutien et insérez la goupille de support de soutien.
4. Déloquetez et ouvrez le couvercle.
5. Installez les trois (3) chapeaux d'extrémité du tuyau sur le soutien de conteneur.
6. Tapez légèrement et à fond chaque chapeau d'extrémité sur les tuyaux du soutien de conteneur au siège.

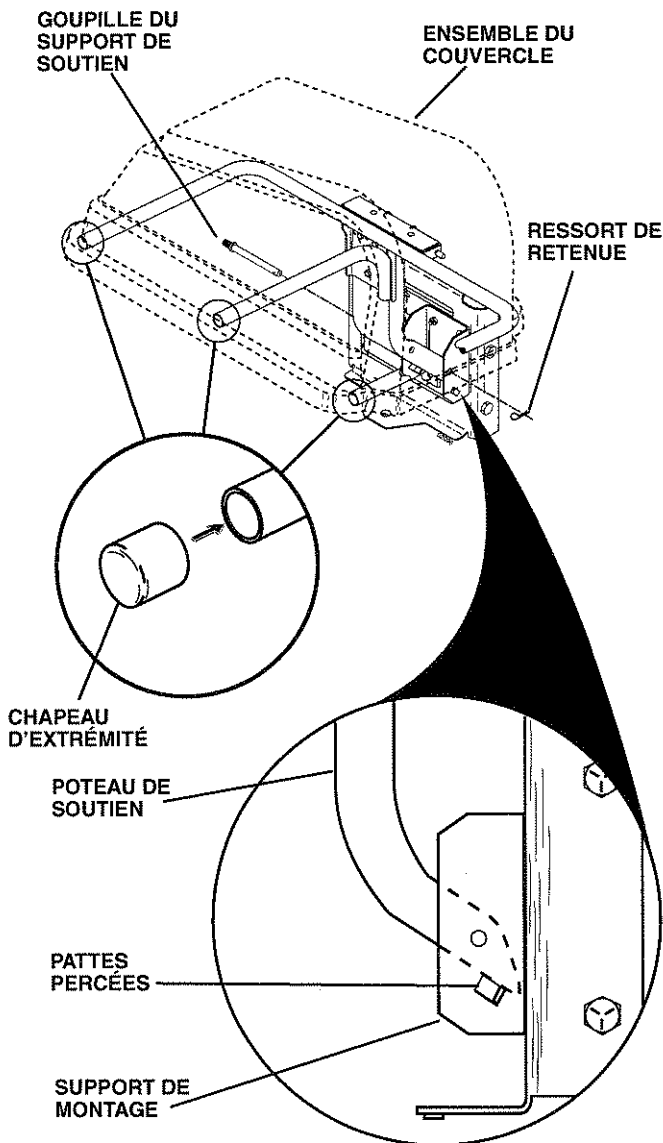


FIG. 4

5 ENSEMBLE DU BAC À GAZON (Voir Fig. 5)

La visserie n'est pas exigée.

1. Mettez la moitié inférieure dans la moitié supérieure, comme montré.
2. Mettez un pied dans la moitié inférieure et soulevez la moitié supérieure à se joindre la moitié inférieure.
3. Pressez fortement les moitiés au même temps pendant soulevant le sommet à enclencher comme montré.

IMPORTANT: AVANT D'ENCLENCHER LES PATTES, LES BORDS À CROCHET SUR LES DEUX CÔTÉS DOIVENT CHEVAUCHER À FAÇONNER UN SCEAU COMME MONTRÉ DANS L'ENCART.

4. Répétez pour les autres bacs.

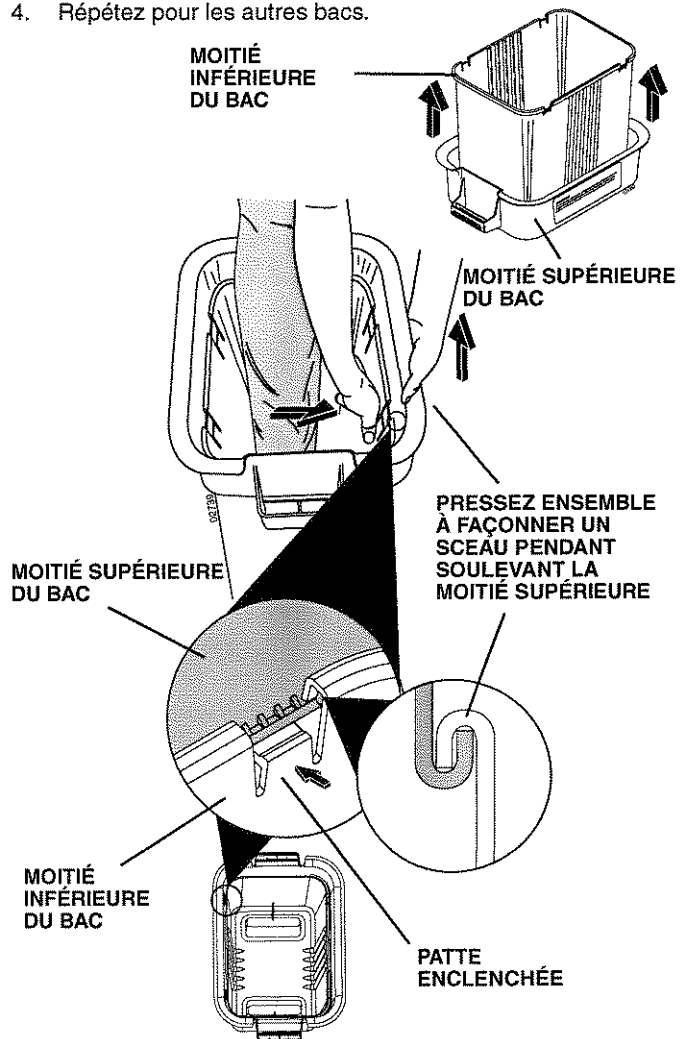
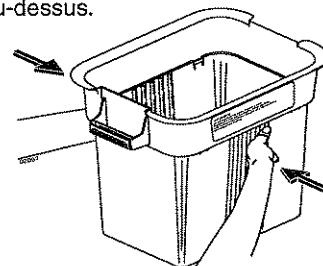


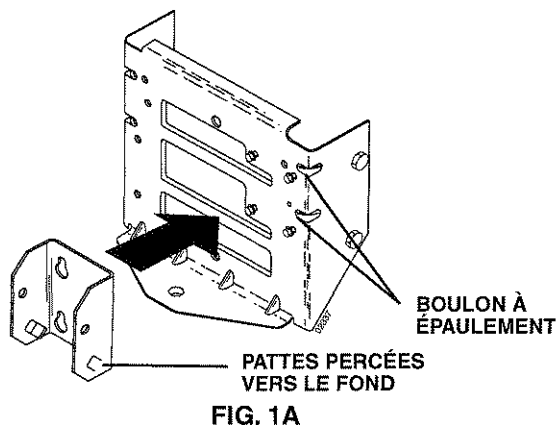
FIG. 5

VÉRIFICATION DE L'ENSEMBLE: Pressez les côtés de la moitié inférieure du bac à gazon et vérifiez qu'il n'y a pas un écart entre les moitiés supérieure et inférieure. Si un écart apparaît, déverrouillez les pattes à séparer les moitiés de bac et répétez les instructions au-dessus.



1 SUPPORT DE MONTAGE ARRIÈRE (Voir Figs. 1A, 1B et 1C)

REMARQUE: Si votre tracteur a déjà quatre (4) boulons à épaulement installés sur la barre d'attelage arrière, accrochez simplement le support de montage, indiquant les pattes vers le bas, sur les boulons. Débarrassez-vous de la quincaillerie du groupe "A" et ne suivez pas les instructions restantes de la première (1) étape.



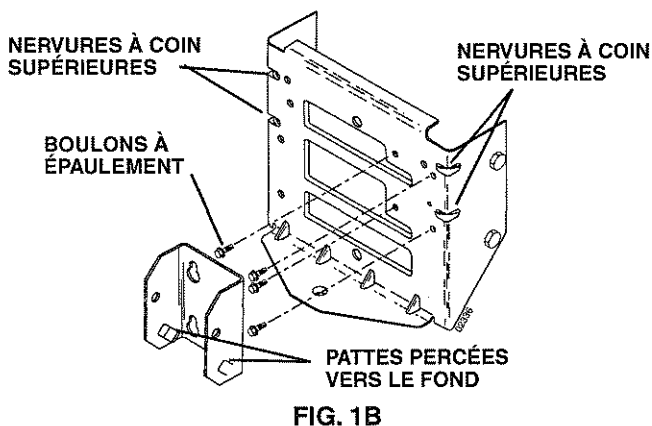
Si votre tracteur n'a pas quatre (4) boulons à épaulement installés sur la barre d'attelage, suivez les instructions ci-dessous.

Utilisez la visserie - - GROUPE "A"

Seulement un jeu de la visserie dans le Groupe "A" utilisera à monter le support de montage arrière. Pour déterminer le jeu qui est correct pour votre tracteur, vérifiez qu'il y a deux (2) nervures à coin supérieures sur chaque côté de la barre d'attelage. Si votre tracteur a les nervures à coin supérieures, utilisez les quatre (4) boulons à épaulement autotaraudeux. Si votre tracteur n'a pas les nervures à coin, utilisez le jeu des quatre (4) boulons et des écrous freins.

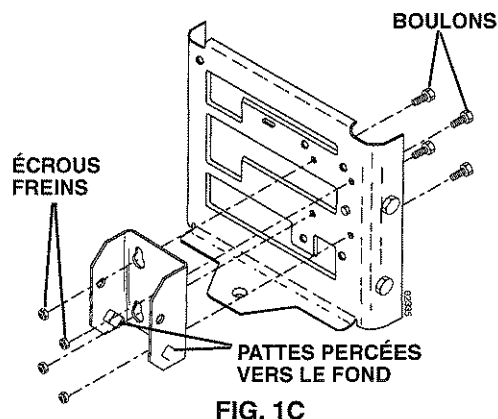
BOULONS À ÉPAULEMENT AUTOTARAUDEUX (Voir Fig. 1B)

1. Utilisant les quatre (4) trous façonnés sur la barre d'attelage, installez les quatre (4) boulons comme montré et serrez à fond.
2. Accrochez le support de montage, indiquant les pattes vers le bas, sur les boulons.



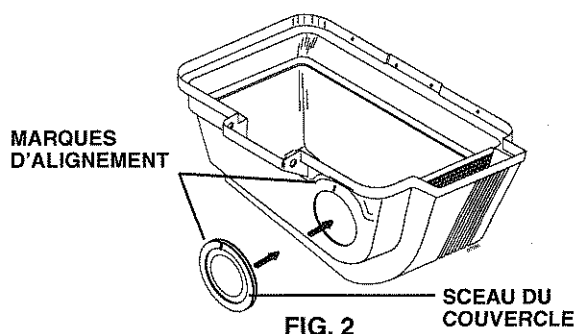
LES BOULONS ET LES ÉCROUS FREINS (Voir Fig. 1C)

1. Montez le support de montage, les pattes percées vers le fond et utilisez les quatre (4) petits trous intérieurs sur la barre d'attelage.
2. Installez les quatre (4) boulons et les écrous freins comme montré et serrez à fond.



2 SCEAU DU COUVERCLE (Voir Fig. 2) La visserie n'est pas exigée.

1. Alignez la marque sur le sceau avec la marque à l'ouverture de couvercle.
2. Tournez le sceau dans l'ouverture pour que le couvercle asseye entre les brides du sceau.

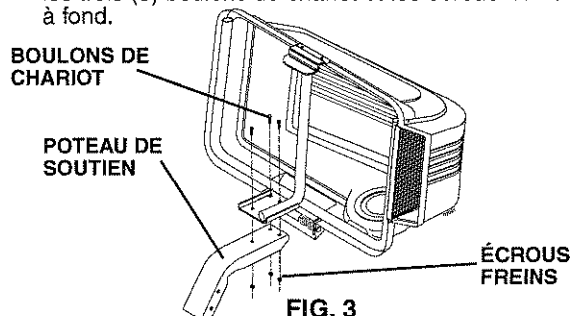


3 POTEAU DE SOUTIEN (Voir Fig.3) Utilisez la visserie - - GROUPE "B"



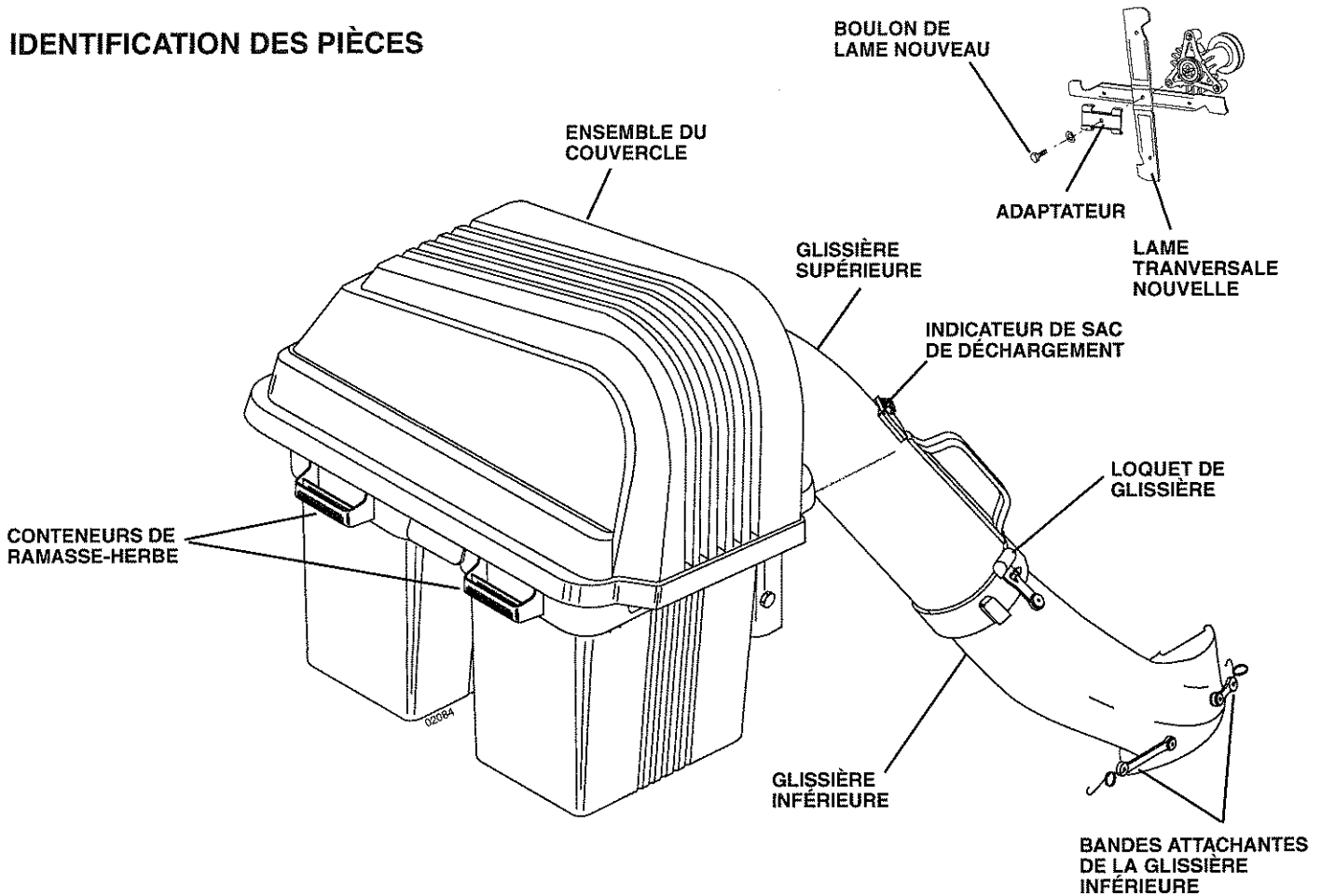
ATTENTION: Lesoutiendeconteneur est maintenant chargé par un ressort et fixé au couvercle. Maniez soigneusement l'ensemble du couvercle pour que le soutien de conteneur du couvercle reste fermé.

1. Tournez l'ensemble du couvercle sur le côté comme montré.
2. Montez le poteau de soutien au soutien de conteneur avec les trois (3) boulons de chariot et les écrous freins. Serrez à fond.



MONTAGE

IDENTIFICATION DES PIÈCES



REMARQUE: Quand le côté droit (CD) et le côté gauche (CG) sont mentionnés dans ce manuel, il se réfère à la position de l'opérateur sur le siège de tracteur.

VOUS AUREZ BESOIN DE OUTILS QUI SUIVENT À MONTER VOTRE RAMASSE-HERBE:

- (1) Clé de 3/8"
- (1) Clé de 1/2"
- (2) Clé de 9/16"
- (1) Douille de 1/2"

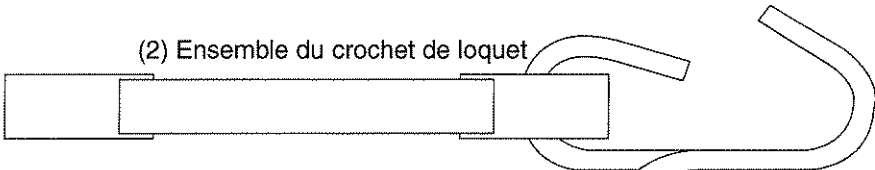


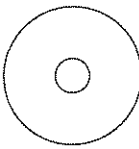
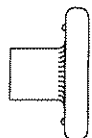
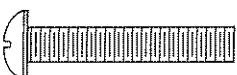
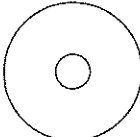

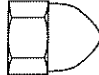
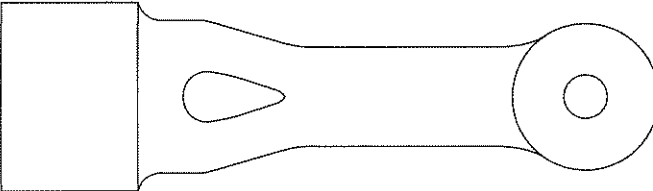


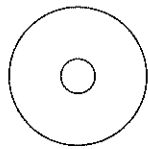
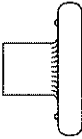
- (1) Douille profonde de 9/16"
- (1) Rochet d'entraînement
- (1) Rallonge de 3" ou plus
- (1) Tournevis Philips (poignée courte)



ATTENTION: AVANT DE MONTER LE RAMASSE-HERBE AU TRACTEUR:

- Appuyez sur la pédale de frein/embrayage et engagez le frein de stationnement.
- Mettez le levier de changement de vitesse/commande de mouvement en position à point mort "N".
- Mettez l'embrayage d'accessoire en la position débrayée "DISENGAGED".
- Tournez la clé de contact à la position d'arrêt et enlevez la clé.
- Faites attention que la lame et toutes les pièces mobiles ont complètement arrêté.
- Débranchez le fil de bougie d'allumage de la bougie d'allumage et mettez le fil où il ne peut pas toucher la bougie d'allumage.

CONTENU DU SAC DES PIÈCES (SUITE)

<p>ENSEMBLE DE LA GLISSIÈRE INFÉRIEURE AU CARTER DE TONDEUSE</p>	<p>GROUPE "D"</p> <div style="text-align: center; margin-top: 20px;">  <p>(2) Ensemble du crochet de loquet</p> </div> <div style="display: flex; justify-content: space-around; margin-top: 20px;"> <div style="text-align: center;">  <p>(2) Vis #10 x 5/8</p> </div> <div style="text-align: center;">  <p>(2) Rondelle frein #10</p> </div> </div> <div style="display: flex; justify-content: space-around; margin-top: 20px;"> <div style="text-align: center;">  <p>(2) Rondelle 3/16 x 3/4 x 16 Ja.</p> </div> <div style="text-align: center;">  <p>(2) Axe du loquet #10</p> </div> </div>
<p>ENSEMBLE DU LOQUET DE GLISSIÈRE À LA GLISSIÈRE SUPÉRIEURE</p>	<p>GROUPE "E"</p> <div style="display: flex; justify-content: space-around; margin-top: 20px;"> <div style="text-align: center;">  <p>(1) Vis #10 x 1-1/8</p> </div> <div style="text-align: center;">  <p>(2) Rondelle 3/16 x 3/4 x 16 Ja.</p> </div> <div style="text-align: center;">  <p>(1) Entretoise #10</p> </div> <div style="text-align: center;">  <p>(1) fcrou borgne #10</p> </div> </div>
<p>ENSEMBLE DU LOQUET DE GLISSIÈRE À LA GLISSIÈRE INFÉRIEURE</p>	<p>GROUPE "F"</p> <div style="text-align: center; margin-top: 20px;">  <p>(1) Loquet de caoutchoc</p> </div> <div style="display: flex; justify-content: space-around; margin-top: 20px;"> <div style="text-align: center;">  <p>(1) Vis #10 x 5/8</p> </div> <div style="text-align: center;">  <p>(1) Rondelle frein #10</p> </div> <div style="text-align: center;">  <p>(1) Rondelle 3/16 x 3/4 x 16 Ja.</p> </div> </div> <div style="text-align: right; margin-top: 20px;">  <p>(1) Axe du loquet #10</p> </div>

CONNAISSEZ VOTRE RAMASSE-HERBE

LISEZ CE MANUEL DU PROPRIÉTAIRE ET LES RÈGLES DE SÉCURITÉ AVANT DE MONTER OU UTILISER VOTRE RAMASSE-HERBE. Comparez les illustrations avec le contenu du carton pour se mettre au courant avant de commencer le montage. Étudiez complètement les instructions d'utilisation et les précautions de sécurité d'assurer le bon fonctionnement de votre ramasse-herbe et d'éviter les blessures à vous-même et aux autres. Conservez ce manuel pour la référence d'avenir.



L'utilisation de tout tracteur peut jeter les objets étrangers dans les yeux qui peut aboutir au dommage sévère pour les yeux. Portez toujours les lunettes de sécurité ou les lunettes de protection avant de démarrer votre tracteur et lors de l'utilisation. Nous recommandons une visière de sécurité panoramique pour ceux qui portent des verres correctives ou des lunettes de sécurité standard.

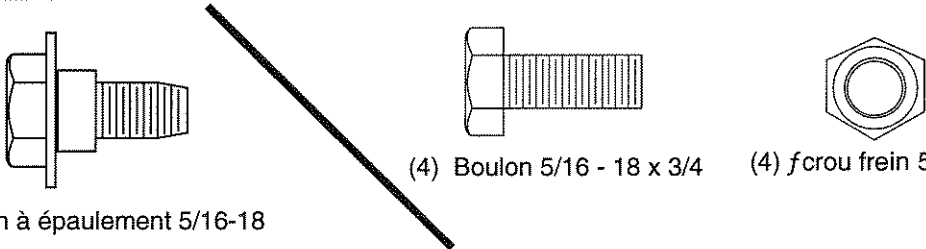

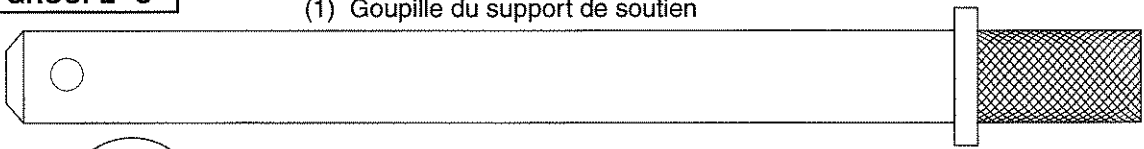
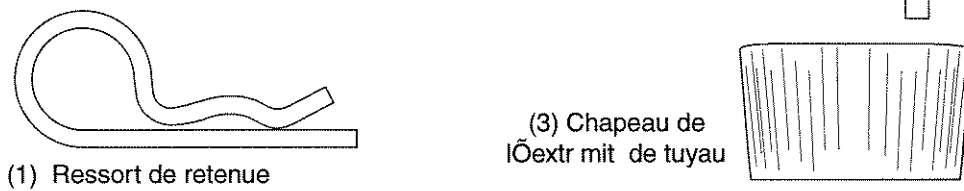
INSTRUCTIONS DE DÉBALLAGE

- Enlevez tous les matériaux d'emballage et les pièces du carton.
- Renversez le carton sur le plancher de votre espace de travail à protéger le couvercle du ramasse-herbe pendant le montage. Renversez le couvercle du ramasse-herbe sur le carton.
- Vérifiez le contenu de carton contre le tableau. Assurez-vous que toutes les pièces soient là.

CONTENU DU CARTON:

- | | |
|--------------------------|----------------------------|
| (2) Sommets de conteneur | (1) Ensemble du couvercle |
| (2) Fonds de conteneur | (1) Sceau de couvercle |
| (1) Glissière supérieure | (1) Sac des pièces |
| (1) Glissière inférieure | (1) Manuel du propriétaire |
| (1) Poteau de soutien | (2) Lames Transversales |
| (1) Support de montage | (2) Adaptateur |
| | (2) Boulon de lame |

REMARQUE: Pour faciliter le montage, déposez en groupe les pièces détachées comme illustrées ci-dessous. Chaque section des instructions de montage identifiera le groupe nécessaire pour la section.

CONTENU DU SAC DES PIÈCES	
SITUATION DE MONTAGE	LA VISSERIE REPRÉSENTÉE EN GRANDEUR NATURELLE
SUPPORT DE MONTAGE ARRIÈRE À LA BARRE D'ATTELAGE	GROUPE "A"  (4) Boulon à épaulement 5/16-18 (4) Boulon 5/16 - 18 x 3/4 (4) frou frein 5/16-18
	GROUPE "B"  (3) Boulon de chariot 5/16 - 18 x 3/4 (3) frou frein 5/16-18
POTEAU DE SOUTIEN AU SOUTIEN DE CONTENANT	GROUPE "C" (1) Goupille du support de soutien 
POTEAU DE SOUTIEN AU SUPPORT DE MANTAGE	 (1) Ressort de retenue (3) Chapeau de Øextr mit de tuyau



RÈGLES DE SÉCURITÉ



CONSEILS POUR L'UTILISATION EN TOUTE SÉCURITÉ DES TONDEUSES AUTOPORTÉES

IMPORTANT: CETTE MACHINE COUPANTE EST CAPABLE D'AMPUTER LES MAINS, LES PIEDS ET DE PROJETER DES OBJETS. L'INOBSERVATION DES RÈGLES DE SÉCURITÉ SUIVANTES PEUT ÊTRE LA CAUSE DES BLESSURES SÉRIEUSES ET ÉVENTUELLEMENT MORTELLES.

I. RÈGLES GÉNÉRALES D'UTILISATION

- Il est impératif, avant de démarrer la machine, de lire et de comprendre toutes les instructions présentes dans le manuel d'utilisation et sur la machine.
- N'autorisez que des adultes dignes de confiance et qui connaissent les instructions à utiliser la machine.
- Débarrassez l'aire de tonte des objets tels que les pierres, les jouets, les fils métalliques, etc. Ces objets peuvent être soulevés et projetés par la lame.
- Assurez-vous que vous soyez la seule personne présente dans l'aire de tonte avant de commencer à tondre. Arrêtez le tracteur si quelqu'un s'introduit dans l'aire de tonte.
- Ne transportez pas des passagers sous aucun prétexte.
- Ne tondez pas en marche arrière seulement si cela est absolument nécessaire. Regardez toujours en bas et en arrière avant et pendant que vous reculez.
- Soyez conscient de l'orientation de la décharge de l'herbe coupée. Ne dirigez jamais cette décharge vers quelqu'un. N'utilisez jamais la tondeuse sans le sac de décharge d'herbe coupée ou le déflecteur de décharge.
- Ralentissez avant de tourner.
- Ne vous éloignez jamais d'une machine en marche. Il est impératif d'arrêter les lames, de serrer le frein de stationnement (parking), d'arrêter le moteur et d'enlever les clés avant de descendre de la machine.
- Arrêtez les lames quand la machine n'est pas en train de tondre.
- Arrêtez le moteur avant d'enlever le sac de décharge d'herbe coupée ou de déboucher l'orifice de décharge.
- Tondez uniquement avec la lumière du jour ou avec une bonne lumière artificielle.
- N'utilisez pas le tracteur si vous êtes sous l'influence de l'alcool ou des drogues.
- Faites attention à la circulation quand vous devez utiliser la machine près d'une route ou traverser une route.
- Faites particulièrement attention lors du chargement, ou du déchargement du tracteur dans une remorque ou un camion.
Les données indiquent que les opérateurs, 60 ans et âgés, sont impliqués dans un grand pourcentage de dommages relatifs avec la tondeuse à gazon d'équitation. Ces opérateurs devraient évaluer leur capacité d'actionner la tondeuse à gazon d'équitation sans risque pour se protéger ainsi bien que pour protéger d'autres personnes contre des dommages sérieux.

II. UTILISATION SUR UN TERRAIN EN PENTE

Les pentes sont une des causes majeures des pertes de maîtrise et des accidents où la machine se retourne sur le conducteur. Ces accidents peuvent être la cause des blessures sévères et éventuellement de la mort. En présence d'une pente, il est nécessaire d'être particulièrement prudent. Si vous ne pouvez pas monter à reculons la pente, ou si vous avez la moindre appréhension, n'utilisez pas votre tondeuse.

FAITES:

- Tondez les pentes en montant ou en descendant mais jamais perpendiculairement à la déclivité.
- Enlevez les obstacles tels que les pierres, les branches les arbres, etc.
- Faites attention aux dépressions, les ornières, les irrégularités du terrain. Un terrain irrégulier peut retourner la machine. L'herbe haute peut cacher des obstacles.
- Utilisez une vitesse lente. Choisissez une vitesse lente pour ne pas avoir à arrêter ou à changer de vitesse sur la pente.
- Suivez les recommandations du fabricant pour les poids de roue, ou des contrepoids pour améliorer la stabilité.
- Soyez particulièrement prudent avec le sac de décharge d'herbe coupée et les autres accessoires. Ceux-ci peuvent changer la stabilité de la machine.
- Les mouvements sur les pentes doivent demeurer lents et progressifs. Ne faites pas de brusques changements de vitesse ou de direction.
- Évitez les démarrages et les arrêts sur une pente. Si les pneus dérapent, dégagez les lames et descendez la pente en suivant la déclivité maximale.

NE FAITES PAS:

- Ne virez pas lorsque vous êtes présent sur une pente à moins que cela soit absolument nécessaire. Dans le cas où il est nécessaire de virer, virez lentement, progressivement et si possible vers le fond de la pente.
- Ne tondez pas près des douves, des fossés, ou des remblais. La tondeuse peut se retourner soudainement si une roue est dans le vide au-dessus d'une douve, d'un fossé, ou si une berge s'effondre.
- Ne tondez pas quand l'herbe est mouillée. Une réduction de la traction pourrait être la cause du dérapage.
- N'essayez pas de stabiliser la machine en mettant votre pied sur le sol.
- N'utilisez pas le sac de décharge d'herbe coupée quand la pente est trop escarpée.

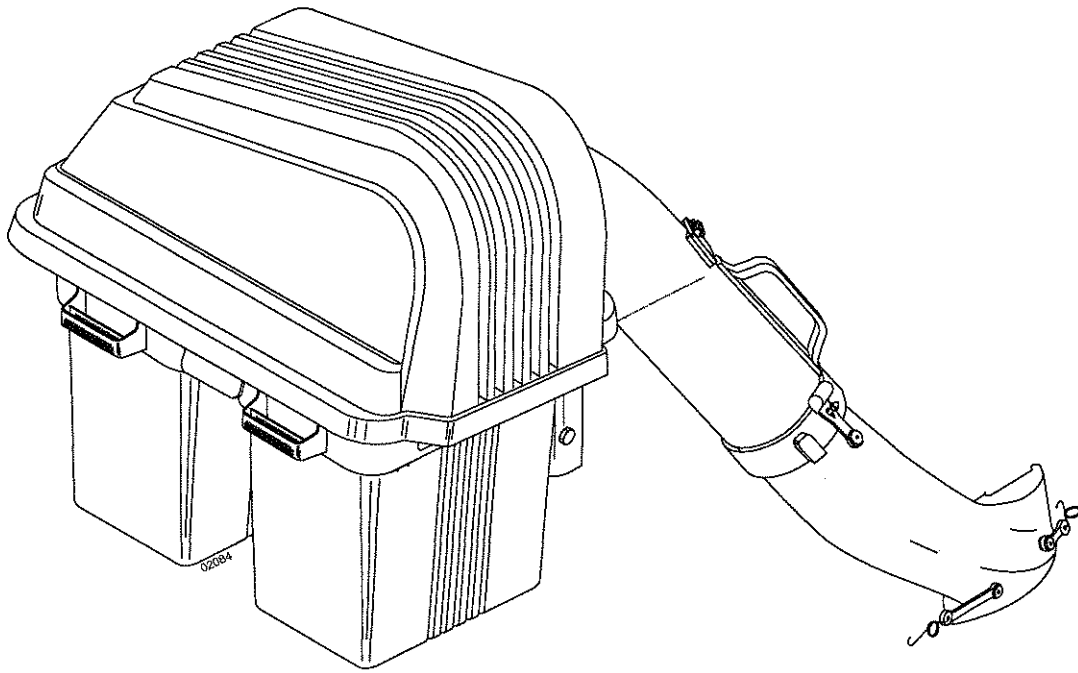
III. ENFANTS

Des accidents dramatiques peuvent survenir si l'utilisateur n'est pas conscient de la présence d'enfants. Les enfants sont fréquemment attirés par la machine et la tonte de la pelouse. N'assumez jamais que les enfants restent à l'endroit où vous les avez vu en dernier.

- Gardez les enfants dehors de l'aire de tonte sous la surveillance d'un adulte digne de confiance.
- Soyez vigilant et arrêtez la machine si un enfant pénètre dans l'aire de tonte.
- Regardez toujours en bas et en arrière, à la recherche de petits enfants avant et pendant que vous reculez.
- Ne transportez jamais d'enfants. Ils peuvent tomber et être sérieusement blessés ou ils peuvent entraver l'utilisation en toute sécurité du tracteur.
- N'autorisez jamais que les enfants utilisent le tracteur.
- Soyez particulièrement prudent lorsque vous approchez des places sans visibilité, des buissons, des arbres ou de tout objet pouvant entraver la vision normale.

IV. ENTRETIEN

- Soyez particulièrement prudent lors de la manipulation d'essence ou de tout autre carburant. Ils sont inflammables et leurs vapeurs peuvent être la cause d'explosion.
 - N'utilisez que des récipients approuvés.
 - N'enlevez jamais le bouchon du réservoir d'essence et n'ajoutez jamais d'essence quand le moteur marche. Laissez refroidir le moteur avant de remplir le réservoir. Ne fumez pas.
 - Ne remplissez jamais le réservoir à l'intérieur d'un bâtiment.
 - N'entreposez jamais la machine ou le bidon d'essence à l'intérieur d'un bâtiment où une flamme telle que celle d'un chauffe-eau est exposée.
- Ne marchez jamais la tondeuse à l'intérieur d'un espace clos.
- Conservez les boulons et les écrous, et en particulier ceux qui servent à la fixation de la lame, serrés correctement. Conservez la machine en bon fonctionnement.
- N'altérez jamais le fonctionnement normal des dispositifs de sécurité. Vérifiez leur fonctionnement normal dans une façon régulière.
- Ne permettez pas l'accumulation d'herbe, de feuilles, ou de débris de tout genre sur votre machine. Nettoyez les éclaboussures d'huile ou d'essence. Laissez refroidir la machine avant de l'entreposer.
- Dans le cas où vous heurtez un objet, arrêtez la machine et vérifiez l'absence de dégâts. Avant de redémarrer, réparez si nécessaire les dégâts.
- Ne tentez aucun ajustement, aucune réparation avec le moteur en marche.
- Les éléments assurant la collection de l'herbe coupée sont sujets à l'usure, aux dégâts, à la détérioration. Il pourrait exposer les parties mobiles et permet de la projection d'objets. Vérifiez fréquemment ces différents éléments et remplacez, si nécessaire, avec les pièces détachées recommandées par le fabricant.
- Les lames de tondeuse sont aiguisées et coupantes. Enveloppez les lames ou portez des gants et soyez particulièrement prudent lors de leur entretien.
- Vérifiez fréquemment le fonctionnement des freins. Assurez le réglage et l'entretien quand cela est nécessaire.



MANUEL DU PROPRIÉTAIRE

No. de Modèle CES36A

Numéro de Produit 964 77 50-00

Tondeuse de 92 cm (36 po.)

Ramasse-Herbe

- **Montage**
- **Utilisation**
- **Responsabilités du Client**
- **Pièces de Rechange**