



LAWN & GARDEN MOTORIZED CADDY SPRAYER - 2 GALLON

Model 96622

CLEANING, ASSEMBLY, AND OPERATION INSTRUCTIONS



Diagrams within this manual may not be drawn proportionally.
Due to continuing improvements, actual product may differ slightly from the product described herein.

Distributed exclusively by Harbor Freight Tools®.

3491 Mission Oaks Blvd., Camarillo, CA 93011

Visit our website at: <http://www.harborfreight.com>



**Read this material before using this product.
Failure to do so can result in serious injury.
SAVE THIS MANUAL.**

Copyright© 2007 by Harbor Freight Tools®. All rights reserved. No portion of this manual or any artwork contained herein may be reproduced in any shape or form without the express written consent of Harbor Freight Tools.

For technical questions or replacement parts, please call 1-800-444-3353.

CONTENTS

IMPORTANT SAFEGUARDS	3
Work Area Safety	3
General and Specific Safety.....	4
SPECIFICATIONS.....	5
UNPACKING	5
CLEANING	5
ASSEMBLY.....	5
OPERATION.....	7
INSPECTION AND MAINTENANCE	9
Troubleshooting.....	9
PARTS LIST	10
PARTS DIAGRAM.....	10

SAVE THIS MANUAL

Keep this manual for the safety warnings and precautions, assembly, operating, inspection, maintenance and cleaning procedures. Write the product's serial number in the back of the manual near the assembly diagram (or month and year of purchase if product has no number). Keep this manual and the receipt in a safe and dry place for future reference.

IMPORTANT SAFEGUARDS

In this manual, on the labeling, and all other information provided with this product:



This is the safety alert symbol. It is used to alert you to potential personal injury hazards. Obey all safety messages that follow this symbol to avoid possible injury or death.

DANGER

DANGER indicates a hazardous situation which, if not avoided, will result in death or serious injury.

WARNING

WARNING indicates a hazardous situation which, if not avoided, could result in death or serious injury.

CAUTION

CAUTION, used with the safety alert symbol, indicates a hazardous situation which, if not avoided, could result in minor or moderate injury.

NOTICE

NOTICE is used to address practices not related to personal injury.

CAUTION

CAUTION, without the safety alert symbol, is used to address practices not related to personal injury.

READ AND UNDERSTAND ALL INSTRUCTIONS

When using, safety precautions should always be followed including the following:

Work Area Safety

1. Close supervision is necessary when used near children.

2. Keep the work area well lit. Make sure there is adequate surrounding workspace. Keep the work area free of obstructions and other debris.

General and Specific Safety

1. **CAUTION** Always wear ANSI-approved safety eye goggles and work gloves when inspecting, using, cleaning and/or working on this product.
2. Never spray or point the Power Spray Gun, or Misting Nozzle in the direction of any human or animal.
3. Keep the Safety Lock (located just below the Power Sprayer Gun Trigger) in the *locked* position when the Motorized Power Sprayer is not in use.
4. Follow all manufacturers instructions for use, cleaning and disposal of all chemicals used with this tool.
5. Use this Motorized Caddy Sprayer only with non-thickening and nonflammable liquids.
6. Do not switch between different types of chemicals without proper cleaning as explained in the “Cleaning” section of this manual on page 5.
7. **CAUTION** Do not store chemicals in the Tank. Dispose of any remaining chemicals according to manufacturers’ directions.
8. **CAUTION** Do not mix old and new batteries. Do not mix alkaline with standard (carbon-zinc) or rechargeable batteries. Always check with local refuse disposal for correct way to dispose of old, used batteries.
9. Make sure the Fill Cap (14), Drain Plug (15) and Universal Cap (10) are secured snugly at all times.
10. Do not use this Sprayer for other than intended use.
11. Maintain labels and nameplates. These carry important safety information. If unreadable or missing, contact Harbor Freight Tools for a replacement.
12. This product is not a toy. Keep it out of reach of children when children are not being closely supervised.
13. The warnings, precautions, and instructions discussed in this instruction manual cannot cover all possible conditions and situations that may occur. It must be understood by the operator that common sense and caution are factors which cannot be built into this product, but must be supplied by the operator.



SAVE THESE INSTRUCTIONS.

SPECIFICATIONS

Construction Materials	Tank, Sprayer Nozzle, Handle and Tires: Polyethylene. Extension Handle: ABS
Battery Type	AA 1.5 VOLT (QTY - 4 included)
Tank Capacity	2 - Gallons
Adjustable Nozzle	Straight and Mist
Switch	Switch includes Safety Lock

UNPACKING

When unpacking, check to make sure that the item is intact and undamaged. If any parts are missing or broken, please call Harbor Freight Tools at the number shown on the cover of this manual as soon as possible.

CLEANING



Read the **ENTIRE IMPORTANT SAFEGUARDS** section at the beginning of this manual including all text under subheadings therein before set up or use of this product.

1. Always rinse the Tank (3), Fluid Pickup (11), Misting Nozzle (13) and Power Sprayer Gun (12) completely with cold clean water at least twice before initial use, between different chemicals when finished.
2. Dry with a soft cloth. Wipe with a soft clean cloth or sponge.

ASSEMBLY



Read the **ENTIRE IMPORTANT SAFEGUARDS** section at the beginning of this manual including all text under subheadings therein before set up or use of this product..

Note: Layout all parts making and inventory according to Parts List and Parts Diagram on page 10 of this manual.

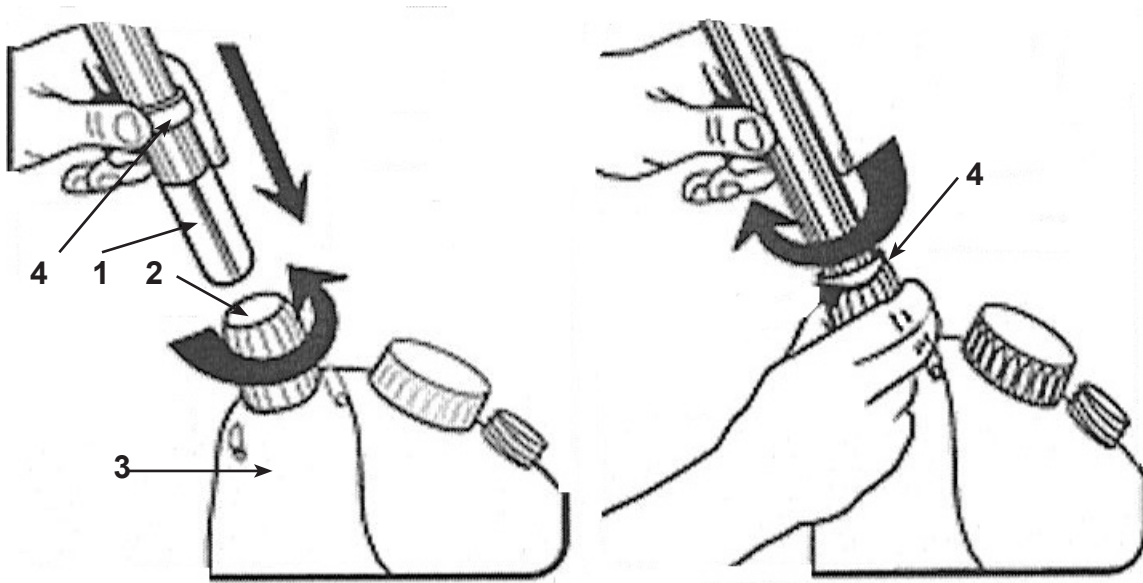


Figure 1

1. Turn Collar (2) counterclockwise to loosen. Insert the Extension Handle (1) into the Collar (2). Tighten the Collar (2) with clockwise motion until it is snug and the Stop-Ring (4) is located just above it. See **Figure 1**.

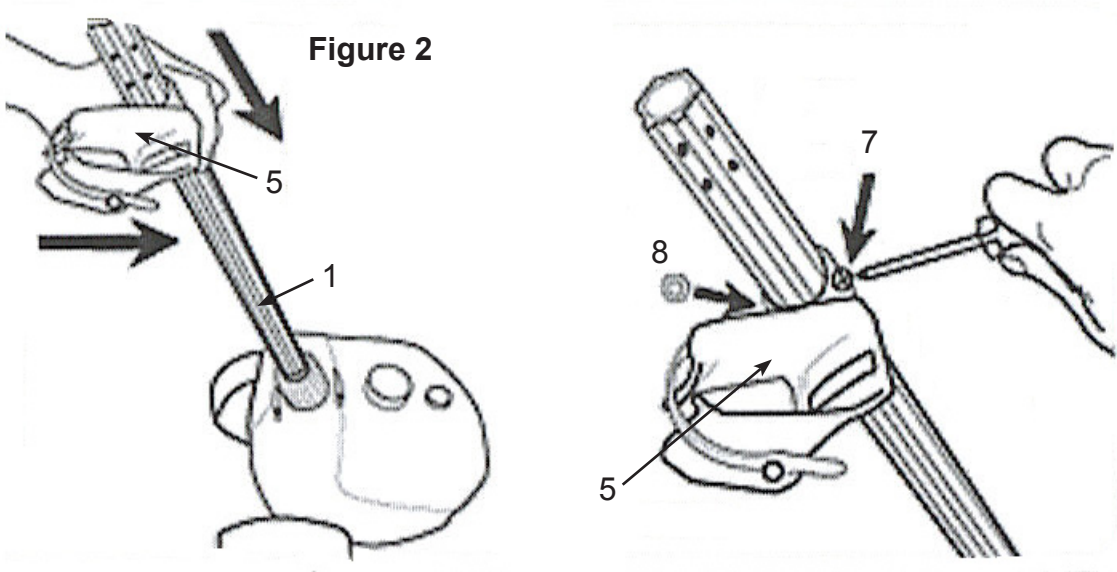


Figure 2

2. Slide Holster (5) onto Extension Handle (1). The Holster (5) *must* face the front and be on the right side of the Extension Handle (1) viewed from behind the sprayer. Fasten Screw (7) and Hex-Nuts (8) securely with screwdriver (not included). See **Figure 2**.

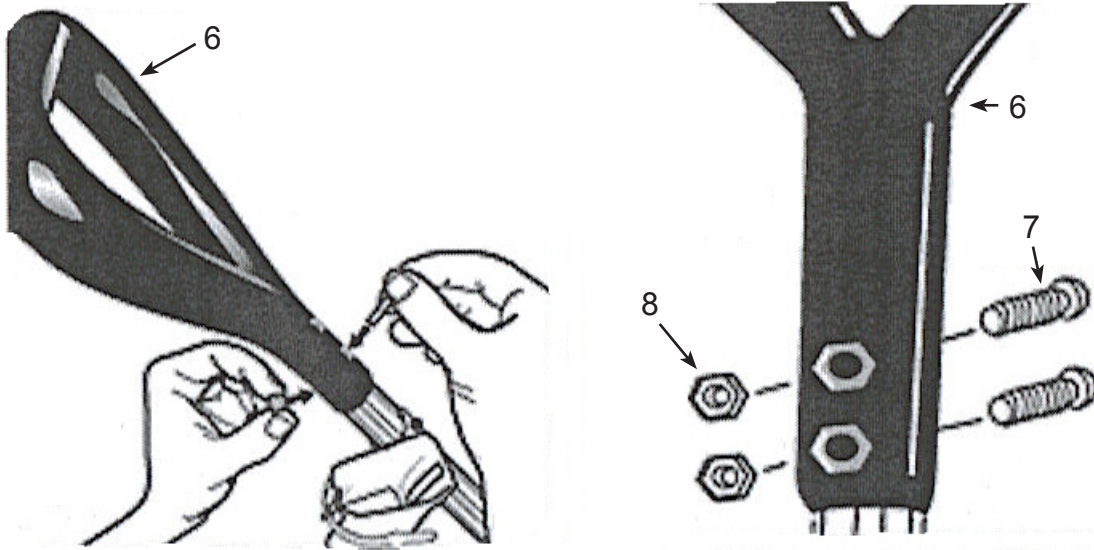


Figure 3

3. Slide the Black Handle (6) onto the Extension Handle (1) until the holes in the Black Handle (6) align with the holes in Extension Handle (1). Insert two Screws (7) in front holes and use the remaining two Hex-Nuts (8) to secure the Black Handle (6) to the Extension Handle (1). See **Figure 3**.
4. Insert four AA Batteries (included) into the Battery Compartment located in the base of the Power Sprayer Gun (12).
5. Snap the Wand Clip (9) onto the Extension Pole (1) above the Holster (5). Screw the Universal Cap (10) holding the Pickup Tube (11) onto the Tank (3).
6. The Motorized Power Sprayer may be used with either the Power Sprayer Gun by itself (12), or by attaching the Misting Tube (13) to the end of the Power Sprayer Gun (12) when only a light mist is needed.

OPERATION



Read the ENTIRE IMPORTANT SAFEGUARDS section at the beginning of this manual including all text under subheadings therein before set up or use of this product.

1. Clean the Motorized Power Sprayer before each use as explained in the "Cleaning" section on page 5 of this manual.
2. Fill the Tank (3) to full capacity by removing the Fill Cap (14) and carefully pouring the liquid you will be using into the opening. Be sure to wipe off any spilled liquid from the exterior of the Tank (3).

Note: The Fill Cap (14) may be used as a measuring cup. Calibrations are embossed into the side. Use chemicals only at strengths recommended by manufacturers' label directions.

3. Replace the Fill Cap (14).
4. Point the Power Spray Gun (12) toward the ground and squeeze the trigger a few times to prime.
5. Your Motorized Caddy Sprayer is now ready to use. Grab the handle and move the Caddy Sprayer into position. Squeeze the Trigger on the Power Spray Gun (12) and Spray with back and forth, or up and down motion keeping the Power Sprayer Gun (12), and/or the Misting Nozzle (13) approximately 12 inches from what you intend to cover with the product you are using.
CAUTION: Do not spray against the wind.
6. When you are finished, or if you intend to switch chemicals, always clean according to directions in "Cleaning" section on page 5 of this manual, and following directions recommended by the manufacturer of the chemical you are using for your project.

INSPECTION AND MAINTENANCE

BEFORE EACH USE, inspect the general condition of this Motorized Caddy Sprayer. Check for loose screws, misalignment or binding of moving parts (including wheels), cracked or broken parts, and any other condition that may affect its safe operation.

Troubleshooting

Problem	Possible Causes	Probable Solutions
Product will not spray from either Power Spray Gun or Misting Nozzle.	<ol style="list-style-type: none">1. Weak or dead Batteries.2. Fluid Tube or Nozzle(s) clogged.3. Fluid level in Tank too low.	<ol style="list-style-type: none">1. Check Batteries, replace if necessary with new.2. Check Fluid Tube and Nozzle(s) for blockage and flush with cold, clean water if needed.3. Check fluid level in Tank and fill to proper capacity.

PLEASE READ THE FOLLOWING CAREFULLY

THE MANUFACTURER AND/OR DISTRIBUTOR HAS PROVIDED THE PARTS LIST AND ASSEMBLY DIAGRAM IN THIS MANUAL AS A REFERENCE TOOL ONLY. NEITHER THE MANUFACTURER OR DISTRIBUTOR MAKES ANY REPRESENTATION OR WARRANTY OF ANY KIND TO THE BUYER THAT HE OR SHE IS QUALIFIED TO MAKE ANY REPAIRS TO THE PRODUCT, OR THAT HE OR SHE IS QUALIFIED TO REPLACE ANY PARTS OF THE PRODUCT. IN FACT, THE MANUFACTURER AND/OR DISTRIBUTOR EXPRESSLY STATES THAT ALL REPAIRS AND PARTS REPLACEMENTS SHOULD BE UNDERTAKEN BY CERTIFIED AND LICENSED TECHNICIANS, AND NOT BY THE BUYER. THE BUYER ASSUMES ALL RISK AND LIABILITY ARISING OUT OF HIS OR HER REPAIRS TO THE ORIGINAL PRODUCT OR REPLACEMENT PARTS THERETO, OR ARISING OUT OF HIS OR HER INSTALLATION OF REPLACEMENT PARTS THERETO.

Record Product's Serial Number Here: _____

Note: If product has no serial number, record month and year of purchase instead.

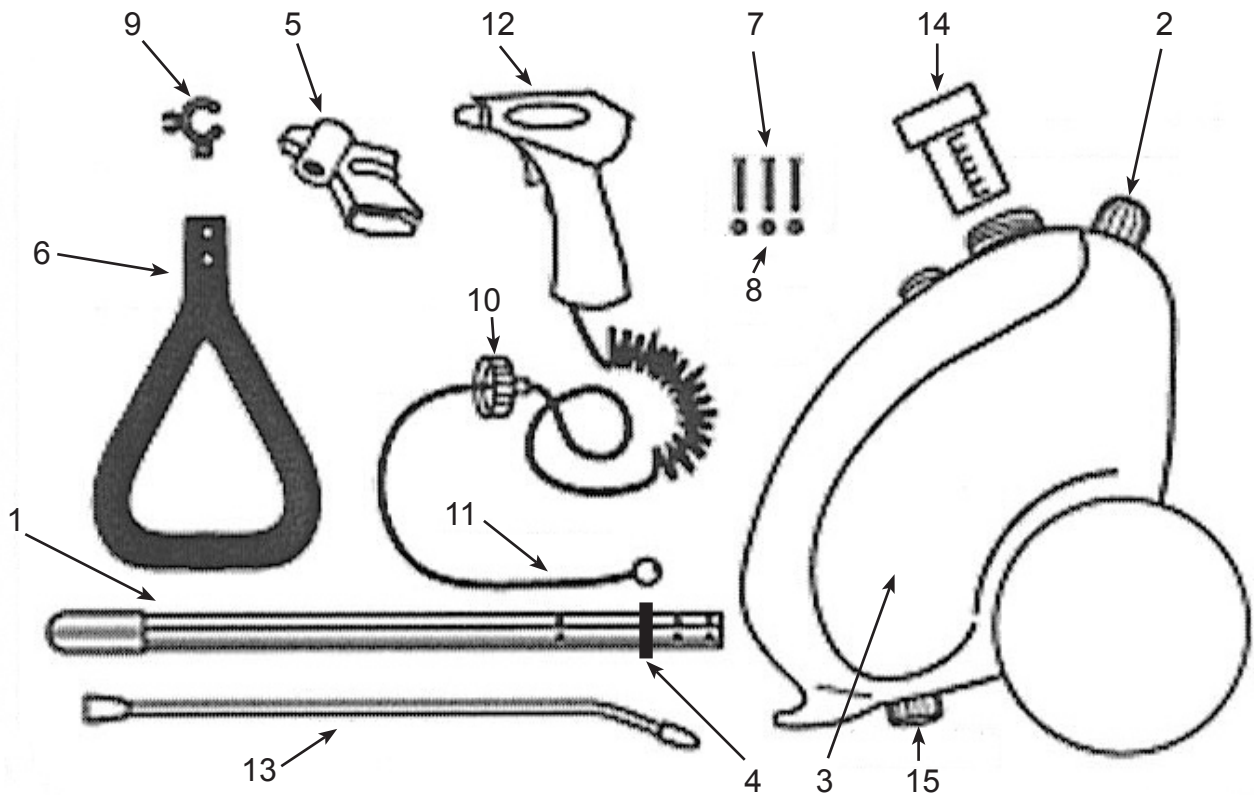
Note: Some parts are listed and shown for illustration purposes only, and are not available individually as replacement parts.

PARTS LIST

Part	Description	Q'ty
1	Extension Handle	1
2	Collar	1
3	Tank	1
4	Stop-Ring	1
5	Holster	1
6	Black Handle	1
7	Screws	3
8	Hex-Nuts	3

Part	Description	Q'ty
9	Wand Clip	1
10	Universal Cap	1
11	Pickup Tube	1
12	Power Sprayer Gun	1
13	Misting Nozzle	1
14	Filler Cap/Measuring Cup	1
15	Drain Plug	

PARTS DIAGRAM



Note: Four AA Batteries are included but not shown in Parts Diagram or listed on Parts List.