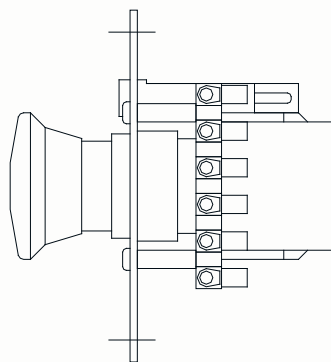
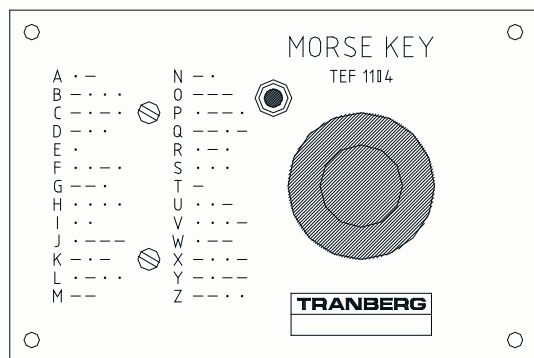


TEF 1104 AL MORSE KEY USER MANUAL



IMPORTANT

Read this instruction carefully before installing the product



110A9466

TRANBERG®

INTRODUCTION

Thank you for purchasing this product!
For installation, maintenance and assurance of a long life of this product, please follow this manual.

TOOLS REQUIRED

Regular tools required for installation:

- PZ 2 screwdriver – when connecting the cable on the switch.
- 3 mm straight screwdriver for use on terminals.

APPLICATIONS

- Morse key with 2 pole switch and indicator light for console mounting.
- For use on bridge wings for signalling by signal light
- Indoor use only

CONTENT IN BOX

The product is fully assembled, and ready for installation.

MAINTENANCE INSTRUCTIONS

The product should be inspected according to Company routines. The manufacturer suggests regular check for water intrusion/condensation which should be removed immediately. Check the drain plug / drain hole function.

SAFETY PRECAUTIONS

Note that changes made to the product and/or installation of components which do not conform to the approval, may be a safety violation. The manufacturer will in no circumstance be held responsible for such activity.

For your health and safety, always use safety gear suited for the task. Be certain to follow codes, regulations and/or specific procedures that are related to the installation.

APPROVALS

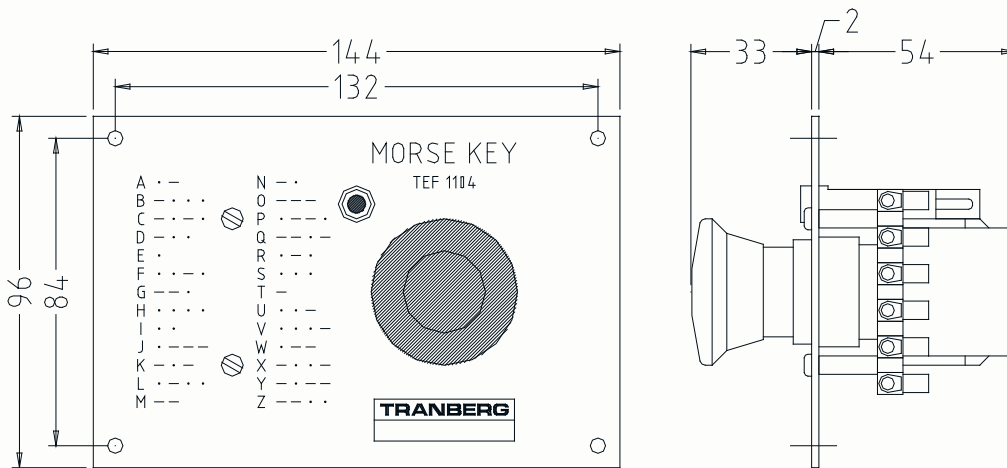
Not applicable

TEF 1104 AL MORSE KEY USER MANUAL

INSTALLATION INSTRUCTIONS

Terminate the cables directly to the switch. For safety reasons, ensure both conductors are terminated to the 2-pole switch.

To avoid electrical problems, possibility of shock or fire, ensure cables are properly fastened close to the morse key panel.



SPARE PARTS

Description	Part No.
Push button	3265
Indicator lamp 230V	5025 1036
Indicator lamp 115V	5025 1037
Indicator lamp 24V	5025 1038

TEF 1104 AL MORSE KEY USER MANUAL

TECHNICAL DATA

Material:	Black anodised aluminium
Max operating voltage:	250V
Max load:	120W
Cut out:	124mm x 76mm
Weight:	0,2 kg.

TRANBERG[®]