

HONDA®

Power

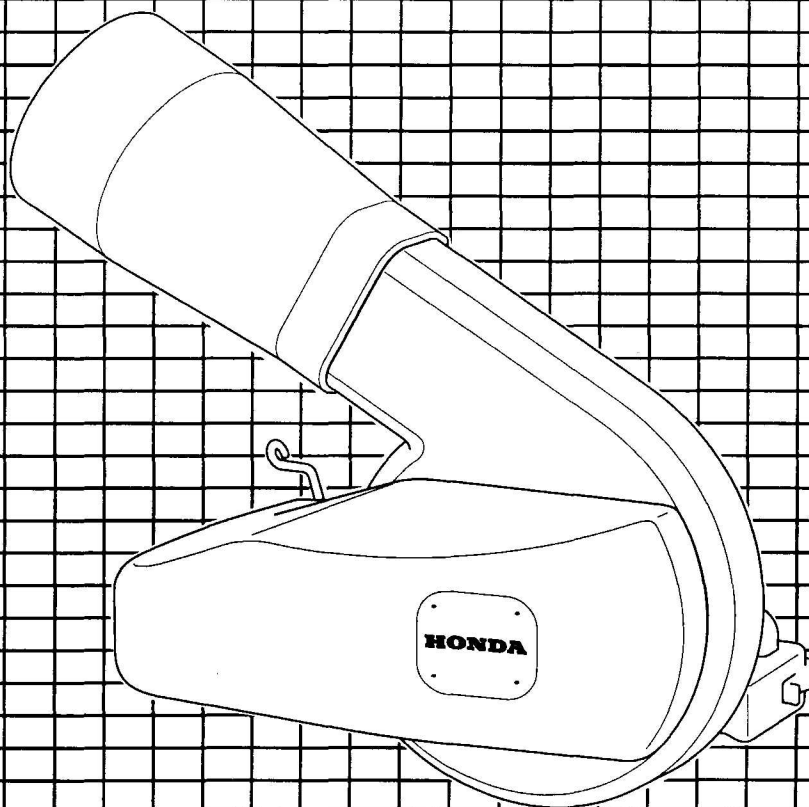
Equipment

OPERATOR'S MANUAL

BK4148A SIDE BLOWER

for use with the
HA4120 LAWN TRACTOR

Also requires the BC1000 Bagger Cart and the MKC4148 Mounting Kit



HONDA DEALER: PLEASE GIVE THIS PUBLICATION TO YOUR CUSTOMER

Thank you for purchasing a Honda BK4148A side blower.

This manual covers the operation, maintenance, and installation of the BK4148A side blower. For your convenience, this manual also includes a parts description guide, and warranty service information.

Before installing or operating this equipment, read this operator's manual and the owner's manual supplied with the tractor.

As you read this manual, you will find information preceded by a **NOTICE** symbol. That information is intended to help you avoid damage to your side blower, other property, or the environment.

The information in this operator's manual is limited in application to the Honda BK4148A when installed and used on a Honda tractor in combination with the BC1000 Bagger Cart. Left and right sides of this unit are determined from the operator's position, facing the direction of forward travel. This manual is a permanent part of the side blower and must stay with it if resold.

All the information in this publication is based on the latest product information available at the time of printing. American Honda Motor Co., Inc. reserves the right to make changes at any time without notice and without incurring any obligation. No part of this publication may be reproduced without written permission.


A FEW WORDS ABOUT SAFETY

Your safety and the safety of others are very important. And using this side blower safely is an important responsibility.

To help you make informed decisions about safety, we have provided operating procedures and other information on labels and in this manual. This information alerts you to potential hazards that could hurt you or others.

Of course, it is not practical or possible to warn you about all the hazards associated with operating a side blower. You must use your own good judgement.

You will find important safety information in a variety of forms, including:

- **Safety Labels**—on the side blower.
- **Safety Messages**—preceded by a safety alert symbol  and one of the following three words; **DANGER**, **WARNING**, or **CAUTION**.

These words mean:

DANGER

You **WILL** be **KILLED** or **SERIOUSLY HURT** if you don't follow instructions.

WARNING

You **CAN** be **KILLED** or **SERIOUSLY HURT** if you don't follow instructions.

CAUTION

You **CAN BE HURT** if you don't follow instructions

- **Safety Headings**—such as **IMPORTANT SAFETY INFORMATION**
- **Safety Sections**—such as **SIDE BLOWER SAFETY**
- **Instructions**—how to use this side blower correctly and safely.

This entire manual is filled with important safety information—please read it carefully.

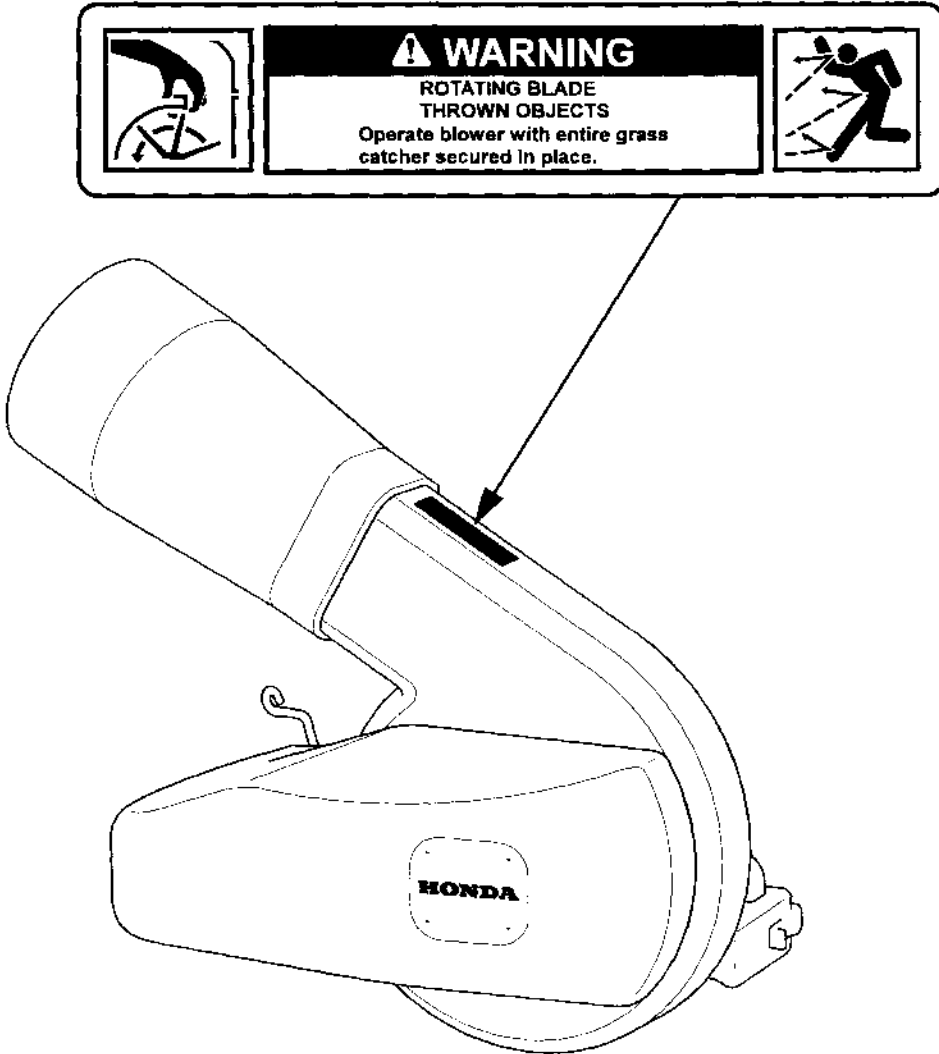
TABLE OF CONTENTS

SAFETY	2
SAFETY LABEL LOCATIONS	2
BEFORE OPERATION	3
IMPORTANT SAFETY INFORMATION.....	3
CHILDREN.....	3
GENERAL	4
CHECK MOWING AREA	4
PROTECTIVE CLOTHING	4
OPERATION	5
OPERATOR RESPONSIBILITY	5
MAINTENANCE	7
THE IMPORTANCE OF MAINTENANCE..	7
MAINTENANCE SAFETY	8
MAINTENANCE ITEMS.....	9
INSTALLATION	12
THE IMPORTANCE OF INSTALLATION	12
PARTS LIST	14
TRANSPORTING & STORAGE	22
TRANSPORTING	22
STORAGE	22
PARTS	23
PARTS.....	23
ADDITIONAL INFORMATION	26
INFORMATION LABEL.....	26
HONDA PUBLICATIONS.....	26
WARRANTY SERVICE INFORMATION	26

SAFETY

SAFETY LABEL LOCATIONS

The label shown here contains important safety information. Please read it carefully. This label is considered a permanent part of your side blower. If the label comes off or becomes hard to read, immediately contact an authorized Honda servicing dealer for a replacement label.



IMPORTANT SAFETY INFORMATION

Before operating the side blower for the first time, please review the safety information beginning on page 1 and the next chapter, titled *BEFORE OPERATION*.

Even if you have operated other side blowers, take time to become familiar with how this side blower works, and practice in a safe area until you build up your skills.

For your safety, avoid starting or operating the engine in an enclosed area such as a garage. Exhaust from the engine contains poisonous carbon monoxide gas which can collect rapidly in an enclosed area and cause illness or death.

The following precautions are suggested to help prevent accidents. A careful operator is the best operator. Most accidents can be avoided by observing certain precautions. Read the following precautions before operating the side blower to help prevent accidents. Equipment should be operated only by those who are responsible and instructed to do so.

Do not stand or sit on the side blower. Do not allow anyone to ride on the side blower or any other part of the mower deck or bagger cart

Always move the PTO knob to OFF, shut the engine OFF, remove the ignition key, and wait for all moving parts to stop before leaving the operator's position, leaving the side blower unattended or inspecting the side blower.

Be sure the area is clear of other people before operation. Stop the machine if anyone enters the area. Do not operate the side blower with children, pets or others nearby.

Watch out for traffic when operating near or crossing roadways. Slow down before turning and approach blind corners cautiously.

Always observe the area ahead. Avoid obstacles and stay away from holes, ditches, soft or steep embankments and other potentially dangerous areas.

Wet surfaces reduce traction and stability. Always maintain proper traction.

Stop the tractor's engine, then set the parking brake ON before connecting or disconnecting the side blower.

CHILDREN

Accidents can occur if the operator is not alert to the presence of children. Children are often attracted to the machine and the tractor's activity. Never assume that children will remain where you last saw them.

Keep children out of the work area and under the watchful eye of another responsible adult. Be alert and turn off the machine if children enter the area

BEFORE OPERATION

GENERAL

For your safety, and to prolong the service life of your equipment, always inspect the belt and belt cover before each use. See *MAINTENENCE ITEMS* on page 9. Perform the *Before Mowing* checks listed in the *H4120 Lawn Tractor Owner's Manual*.

CHECK MOWING AREA

For your safety and the safety of others, always inspect the area before mowing.

Objects

Anything which can be picked up by the mower deck is a potential hazard to you and others. Always remove any large debris from the mowing area.

Remove motor vehicles or other objects from the mowing area to prevent them from getting damaged.

People and Pets

People and animals near the mowing area can move into your path. Clear the area of pets, people, and especially children. Their safety is your responsibility.

PROTECTIVE CLOTHING

Be sure to wear protective clothing such as long pants and eye protection which can lower your risk of injury. Wear footwear that protects your feet. Wear ear protection to protect your hearing.

Do not wear loose fitting clothing, jewelry, scarves, ties, etc., which may get caught in moving parts. Tie up or restrain long hair.

Wear a dust mask when mowing in dusty conditions.

Inspect The Side Blower

Check the side blower mounting bracket on the tractor, the belt and belt cover. Make sure the latch is secure on the side blower, and the belt cover is in place. Do not operate the side blower without the belt cover in place.

OPERATOR RESPONSIBILITY

Read the tractor owner's manual carefully. Be thoroughly familiar with the controls and proper use of the tractor. Know how to stop the tractor and disengage the controls quickly.

Refer to the tractor owner's manual for detailed instructions on starting the engine and parking.

Left and right sides of the side blower are determined from the operator's position, facing the direction of forward travel.

Always remain in the operator's seat of the tractor when operating the side blower.

If you strike a foreign object, move the PTO clutch knob to OFF, shut the engine OFF, and remove the ignition key. Inspect for and repair any damage before operating the side blower again.

Airflow

The side blower needs a clear path for air to flow for best performance. Follow these tips to keep a clear air path:

- Keep the BC1000 bagger cart, chutes, dump cloth and cover clean
- Make sure the mower deck is adjusted properly. The rear height should be no more than 13 mm (1/2 inch) higher than the front height.
- When possible, operate the mower at a taller cutting height.

Tips For Use

Avoid using the side blower (or even mowing at all) when the grass is wet. Wet clippings can quickly clog the mower deck, and the chutes and the side blower.

Watch the window on the middle chute. If clippings aren't flowing past the window, the mower deck, side blower or chute may be clogged. See the next section on how to clear the side blower.

Make sure the mower deck blades are sharpened. For sharpening guidelines, refer to the owner's manual for your tractor.

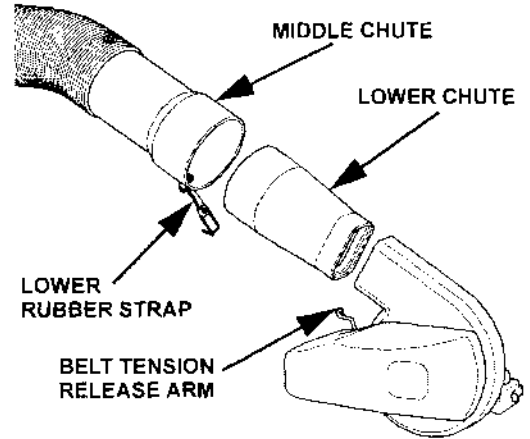
Always keep the throttle in the FAST position when mowing. This cuts the grass better, and helps blow the clippings toward the side blower and into the bagger cart.

OPERATION

Clearing a Clog

The side blower may become clogged with clippings. If this happens, stop the tractor, move the PTO knob to OFF, set the parking brake ON, remove the ignition key and disconnect both spark plug caps before attempting to clear a clog.

1. Disconnect lower rubber strap (as needed) from the belt tension release arm. Remove the middle chute from the lower chute, or remove the lower chute from the side blower as necessary.
2. Use a wooden stick (never your hands) to clear the clogged grass out of the side blower. Do not force the stick too deeply into the blower housing or you may damage the blower blades.
3. Be sure to reattach the rubber strap and all chute parts before continuing operation.



THE IMPORTANCE OF MAINTENANCE

Good maintenance is essential for safe, economical, and trouble-free operation.

 WARNING

Improper maintenance, or failure to correct a problem before operation, can cause a malfunction in which you can be seriously hurt or killed.

Always follow the inspection and maintenance recommendations and schedules in this operator's manual and the lawn tractor owner's manual.

To help you properly care for your side blower, the following pages include routine inspection procedures, and simple maintenance procedures using basic hand tools. Other service tasks that are more difficult, or require special tools, are best handled by professionals and are normally performed by a Honda technician or other qualified mechanic.

MAINTENANCE

MAINTENANCE SAFETY

Some of the most important safety precautions follow. However, we cannot warn you of every conceivable hazard that can arise in performing maintenance. Only you can decide whether or not you should perform a given task.

WARNING

Failure to properly follow maintenance instructions and precautions can cause you to be seriously hurt or killed.

Always follow the procedures and precautions in this operator's manual and the owner's manual included with the power unit.

Safety Precautions

- **Make sure the engine is off, ignition key is removed, PTO control lever/knob is in the OFF position and all moving parts have stopped before you begin any maintenance or repairs.** This will eliminate several potential hazards:
 - **Carbon monoxide poisoning from engine exhaust.**
Be sure there is adequate ventilation whenever you operate the engine.
 - **Burns from hot parts.**
Let the engine and exhaust system cool before touching.
 - **Injury from moving parts.**
Do not run the engine unless the instruction tells you to do so. Even then, keep your hands, fingers, and clothing away. Do not run the engine when any protective guard or shield is removed.
- Read the instructions before you begin, and make sure you have the tools and skills required.
- To reduce the possibility of fire or explosion, be careful when working around gasoline. Use only a nonflammable solvent, not gasoline, to clean parts. Keep cigarettes, sparks, and flames away from all fuel-related parts.

Remember that an authorized Honda servicing dealer knows your side blower best and is fully equipped to maintain and repair it.

To ensure the best quality and reliability, use only new, genuine Honda parts or their equivalents for repair and replacement.

Do not alter or modify the side blower. If you have any questions, contact your dealer.

MAINTENANCE ITEMS

Belt Cover

- Check the position of the cover before each use. The cover must fully cover the belt and pulley on the right side of the mower deck.

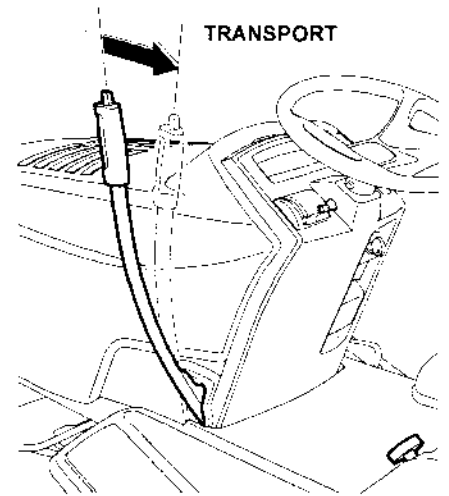
Belt

- Check the belt before each use. Inspect it for wear or damage. Replace the belt as needed.

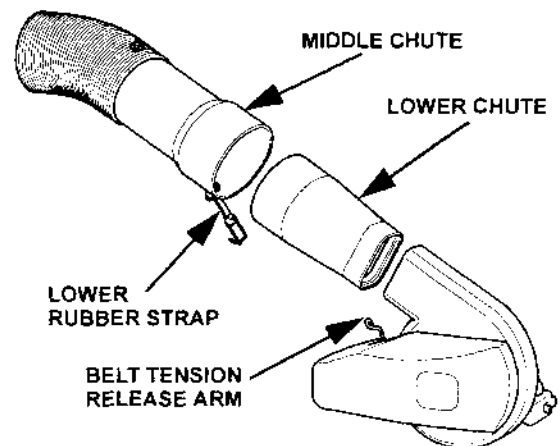
Belt Replacement

It is not necessary to remove the side blower from the mower deck to replace the belt. The Honda Part Number for a replacement belt is **81516-V09-N61**.

1. Raise the anti-scalp rollers all the way up. Turn the height adjustment knob to "3" and raise the mower deck to the **TRANSPORT** position.

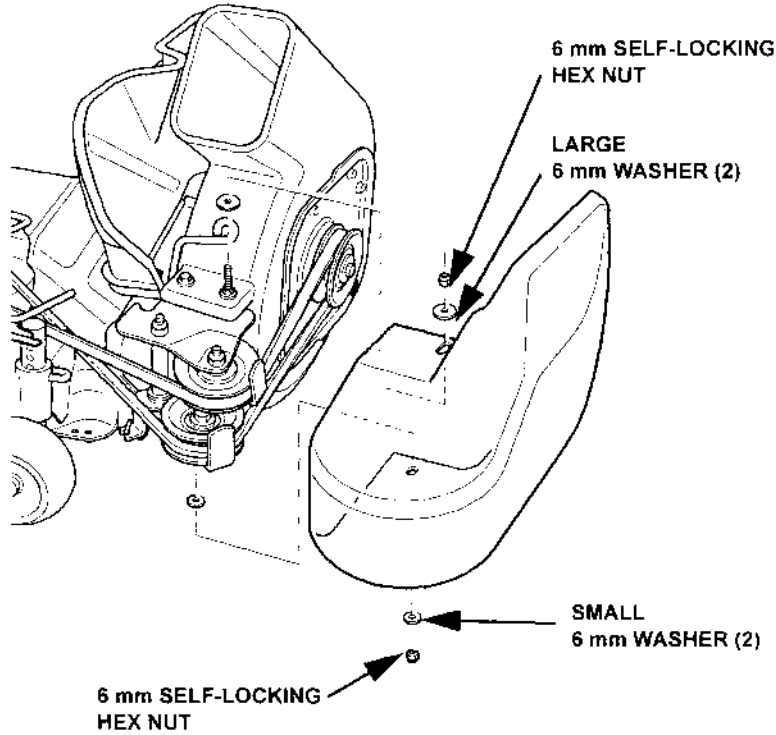


2. Disconnect the lower rubber strap from the belt tension release arm. Pull the middle chute away from the lower chute, then remove the lower chute from the side blower.



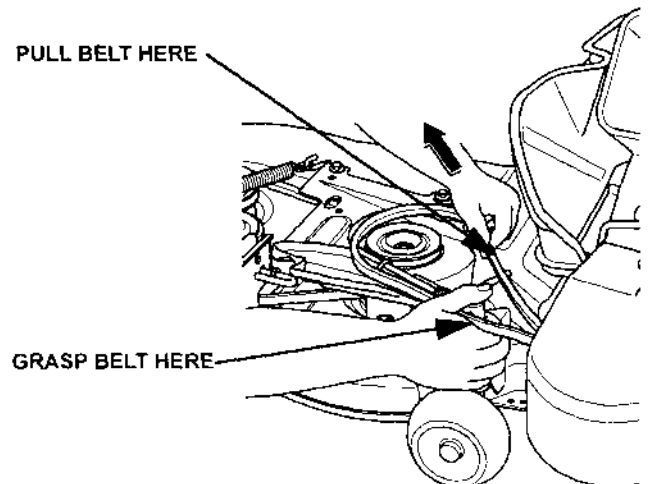
MAINTENANCE

3. Remove the two 6 mm self-locking nuts and four washers from the side blower cover. For reassembly, remember the larger washers go on the top stud, and the smaller ones go on the bottom stud.



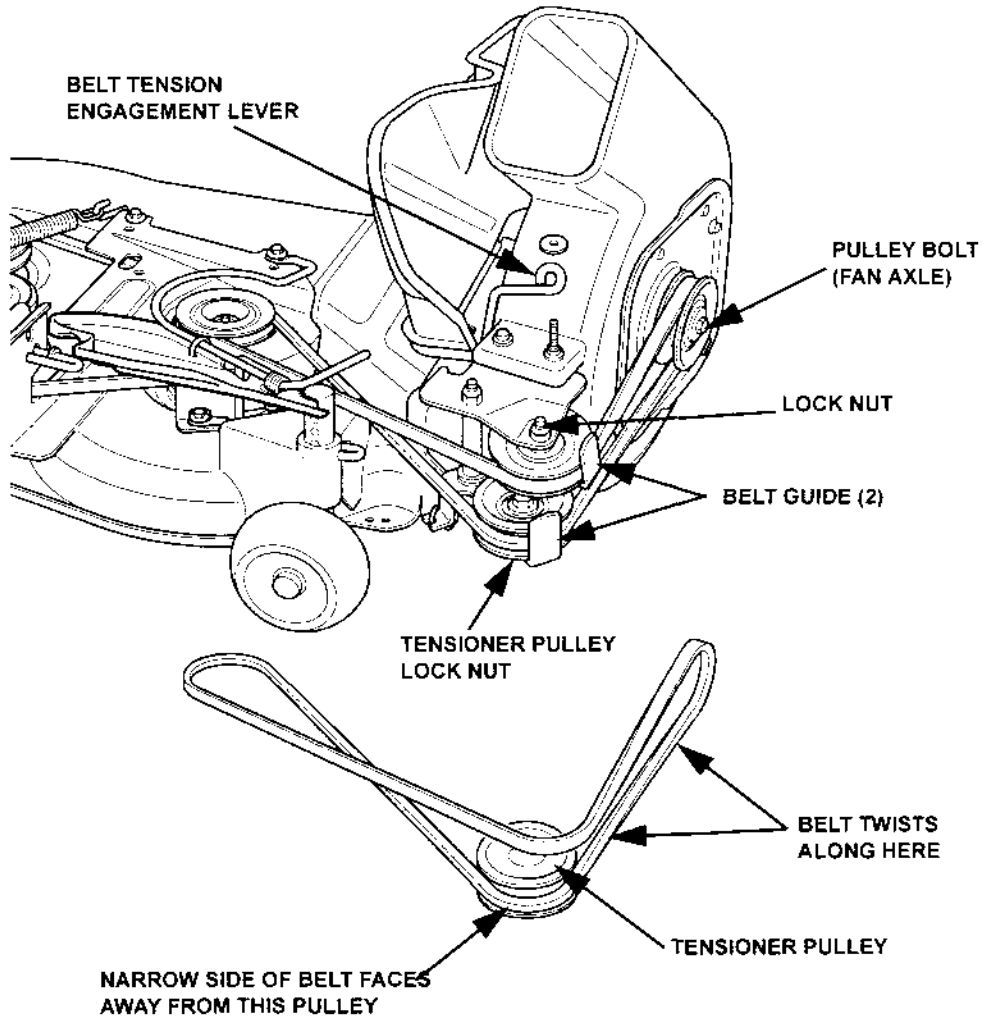
4. Grasp the cover near the lower mounting stud, then pull the cover down to release it from the stud and the lower lip. Push the cover forward slightly to remove it from the side blower.
5. Turn the height adjustment knob to "1" and lower the mower deck.

6. If the old belt is intact, grasp both sides of the belt. Hold the rear side of the belt firmly, then pull the front side of the belt toward the front of the lawn tractor. When you do, the movable tensioner pulley inside the blower housing will lock, and the belt tension engagement lever will move forward. This removes the tension from the belt so it can be removed from the mower deck pulley. Remove the old belt from the mower pulley.



7. Keep your hands and fingers away from the tensioner pulley. Push the belt tension engagement lever rearward to snap the tensioner pulley away from the blower. This relieves the spring tension on the pulley so you can safely work near it.

- Loosen (don't remove) the two belt guide lock nuts enough to remove the belt from the two pulleys. Loosen the pulley bolt on the fan axle enough to remove the belt.
- Install the new belt as shown. Pay attention to the belt's position (wide and narrow) along the pulleys. Make sure the belt guards are installed in the positions shown here. Installation is otherwise the reverse of removal.



INSTALLATION

THE IMPORTANCE OF INSTALLATION

For Your Customer's Safety

Proper installation is essential to the customer's safety and the reliability of the machine. Any error or oversight while installing the unit can result in faulty operation, damage to the machine, or injury to others.

WARNING

Improper installation can create an unsafe condition that can cause your customer or others to be seriously hurt or killed.
Follow the procedures and precautions in installation instructions and shop manuals carefully.

For Your Safety

Some of the most important general service safety precautions are given below. However, we cannot warn you of every conceivable hazard that can arise in performing this installation. Only you can decide whether or not you should perform a given task

WARNING

Failure to properly follow installation instructions and precautions can cause you to be seriously hurt or killed.
Follow the procedures and precautions in this manual carefully.

Important Safety Precautions

- Make sure you have a clear understanding of all basic shop safety practices and that you are wearing appropriate clothing and safety equipment. When performing this installation, be especially careful of the following:
 - Read the instructions before you begin and be sure you have the tools and skills required to perform the tasks safely.
- Make sure the engine is off before you begin any maintenance or repairs. This will help eliminate several potential hazards:
 - Carbon monoxide poisoning from engine exhaust.**
Be sure there is adequate ventilation whenever you run the engine.
 - Burns from hot parts.**
Let the engine and exhaust system cool before touching.
 - Injury from moving parts.**
Do not run the engine unless the instruction tells you to do so. Even then, keep your hands, fingers, and clothing away. Do not run the engine when any protective guard or shield is removed.
- To reduce the possibility of a fire or explosion, be careful when working around gasoline or batteries. Use only a nonflammable solvent, not gasoline, to clean parts. Keep all cigarettes, sparks, and flames away from the battery and all fuel-related parts.

Requirements

A separate bagger cart and hitch kit are required to use this side blower. The hitch kit and the bagger cart can be purchased from an authorized servicing Honda tractor dealer.

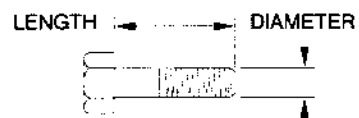
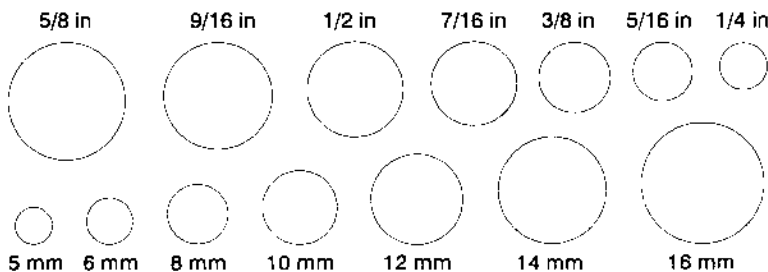
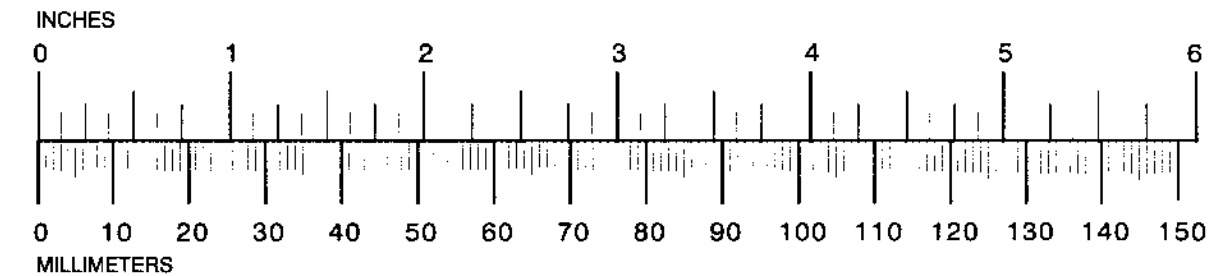
Model	Description	Honda Code
MKC4148	Hitch Kit	612300
BC1000	Bagger Cart	612200

Torque Values

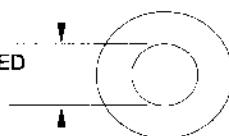
NUT AND BOLT DIAMETER	TORQUE VALUES		
	ft-lb	kg-m	N•m
8 mm bolts	15	2.1	21
1/4-inch nuts and bolts	7	1.0	10
5/16-inch nuts and bolts	14	1.9	19
3/8-inch nuts and bolts	25	3.5	34
1/2-inch nuts and bolts	60	8.3	81

Hardware Measuring Chart

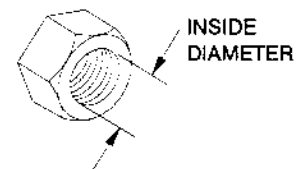
How to measure hardware and components:



WASHERS ARE SPECIFIED BY INSIDE DIAMETER

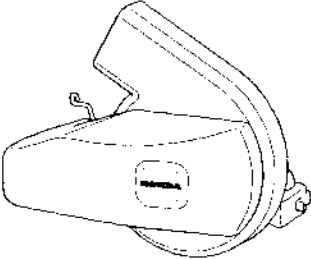

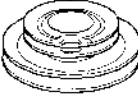
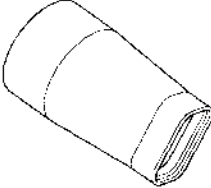

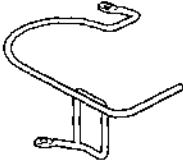




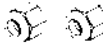


NUTS ARE SPECIFIED BY INSIDE DIAMETER (AT THREAD DEPTH)



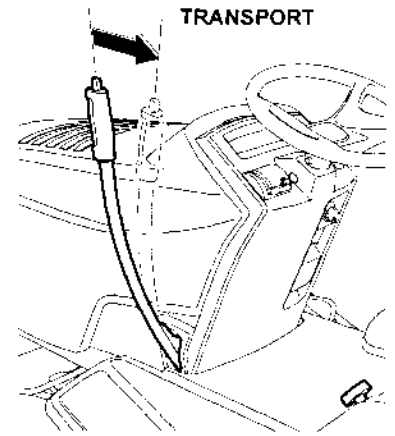
INSTALLATION

PARTS LIST

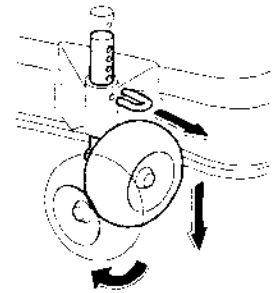
	Description	Qty.	Part Number
	Blower assembly	1	06816-V09-N60
	Rear mounting bracket	1	81511-V09-N61
	Double pulley	1	81543-V09-N61
	Lower chute	1	81235-V09-N61
	Belt cover	1	81517-V09-N61
	Belt cover support	1	81513-V09-N61
	Tie band	1	81512-V09-N61
	Carriage bolt, 8 x 16 mm	2	90105-V09-A01
	Spring	1	81514-V09-N61
	Flange bolt, 8 x 10 mm	2	90154-V09-N61
	Self-locking nut, 8 mm	2	90302-V09-A01

Remove Mower Deck

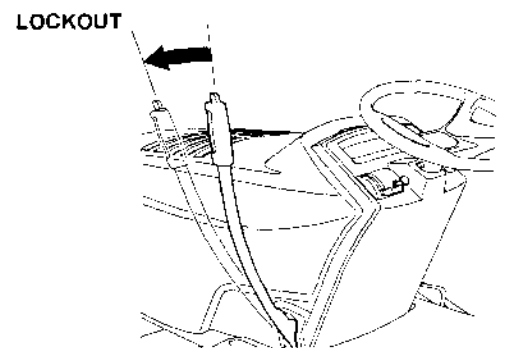
1. Park the lawn tractor on a level surface. Stop the engine. Engage the parking brake. Remove the ignition key. Allow the engine to fully cool. Disconnect both spark plug caps.
2. If tire chains are installed, remove them to prevent damage to the mower deck.
3. Put the lift lever all the way back to TRANSPORT (upper) position.



4. Turn the mower deck height adjustment knob to the blank mark on knob.
5. Pull out on J-pins and turn anti-scalp rollers 90 degrees on both sides of mower. This position makes it easy to move the mower out from under the tractor. Release J pins in shaft holes to lock rollers in position.



6. Push lift lever all the way forward to LOCKOUT (lower) position



⚠ CAUTION

The lift assist spring is under tension when the lift lever is not in the LOCKOUT position.

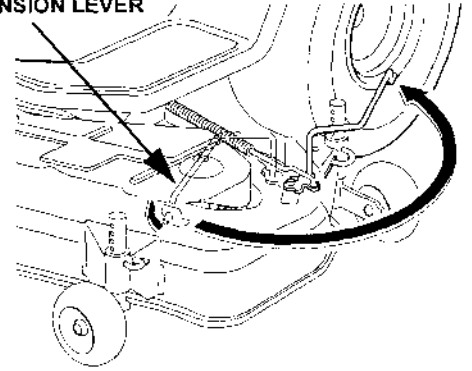
You can be injured by the lift spring.

Always move the lift lever to the LOCKOUT position before removing the mower deck.

INSTALLATION

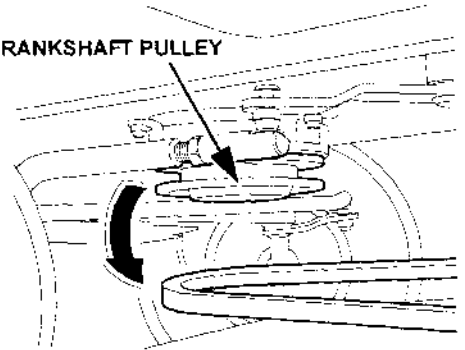
7. Disconnect drive belt tension lever from hook bracket by pulling lever out of hole on bracket, then up and toward you to relieve belt tension.

BELT TENSION LEVER



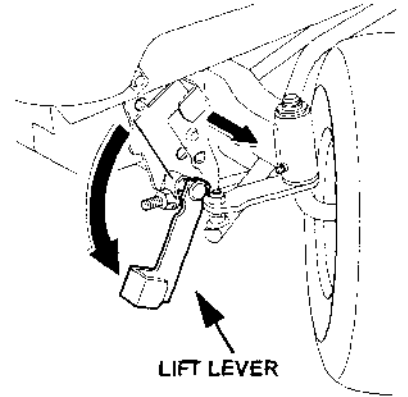
8. Remove drive belt from the engine crankshaft pulley and mower deck pulleys.

ENGINE CRANKSHAFT PULLEY

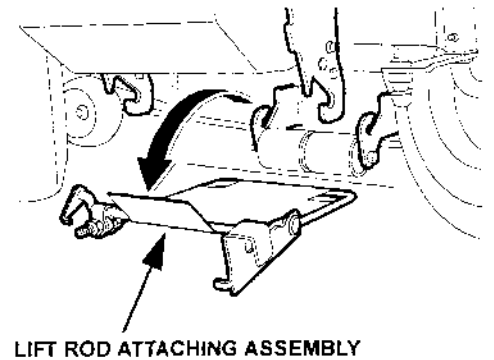


9. Pull out and down on front lift lever to disconnect front lift rod assembly from mower.

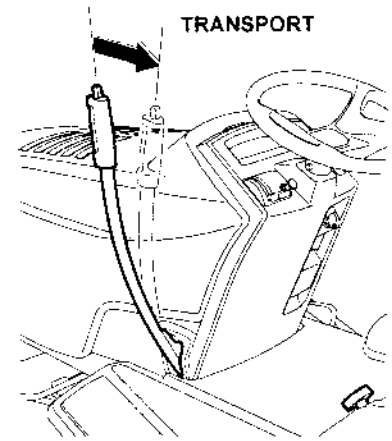
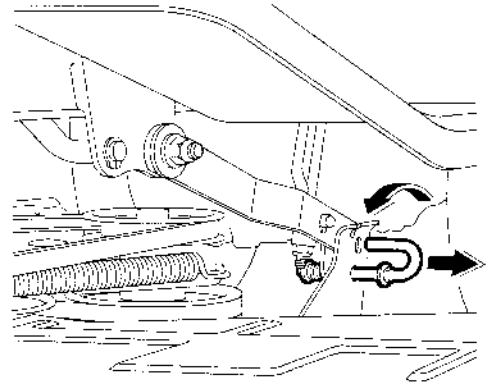
LIFT LEVER



10. Remove the lift rod attaching assembly from tractor and mower.

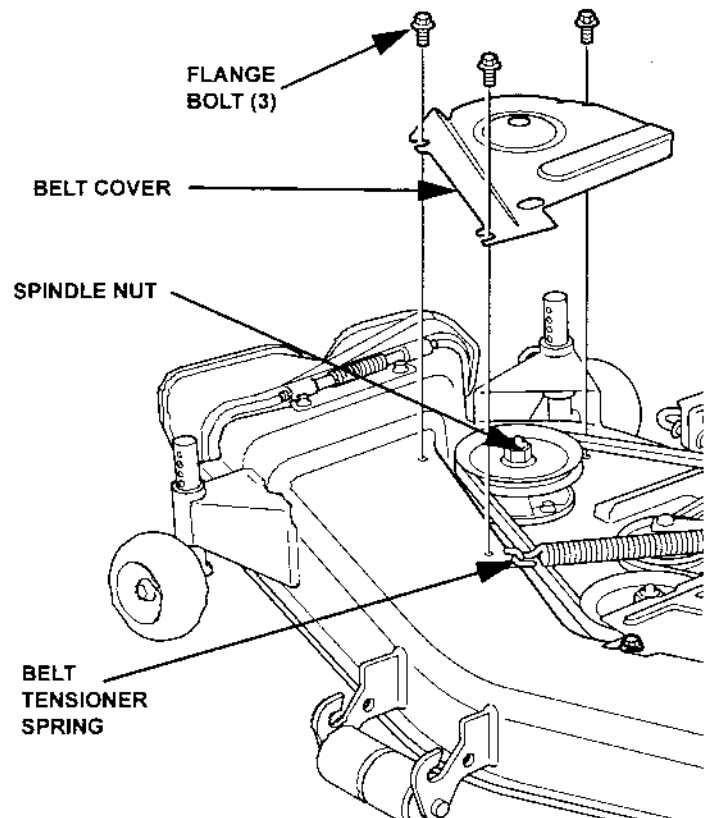


11. Pull out on rear attaching J-pins on each side of the mower and turn the pins to the unlocked position to disconnect the mower from tractor. It may be necessary to manually lift up on the rear of the mower deck to pull out the J-pins.
12. To prevent the tension lever from catching on the tractor, make sure the lever is latched back into its bracket.
13. Grip the lift lever firmly (it is now under spring tension) and move it to the **TRANSPORT** (upper) position.
14. Slide the mower deck out from under the right side of the tractor.



Prepare Mower Deck

1. Remove the three flange bolts from the belt cover. Remove the belt cover.
 2. Carefully disconnect the belt tensioner spring from the welded hook. Remove the mower belt from the pulley.
 3. Put on heavy gloves when working near the blade.
- Place a block of wood between the blade and mower deck to prevent the blade from turning. Loosen and remove the spindle nut.
4. Remove the pulley from the mower deck.



INSTALLATION

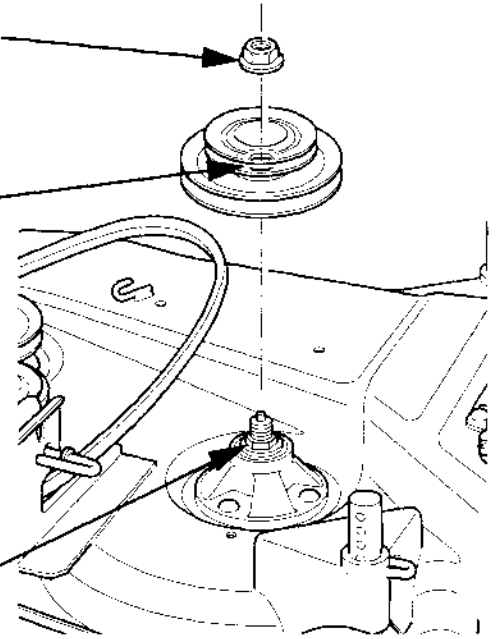
- Support the blade and spindle from underneath the mower deck. Push the spindle up enough to see the hex shoulder on the spindle.
- Install the double pulley as shown. Be sure the hex hole in the pulley mates with the hex shoulder on the spindle.
- Prevent the blade from turning with a block of wood. Torque the spindle nut to 163 N·m (120 lb-ft).
- Install the mower belt. Reconnect the tensioner spring to the welded hook on the mower deck (page 17).

SPINDLE NUT

TORQUE: 163 N·m
(120 lb-ft)

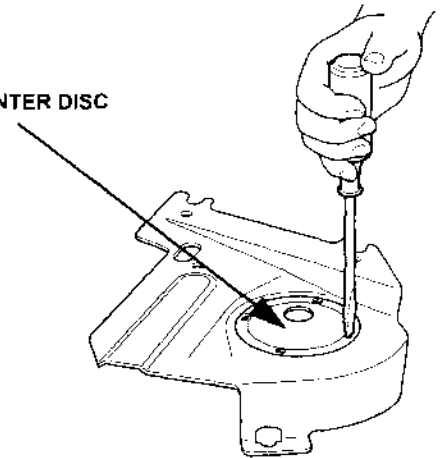
HEX HOLE IN
DOUBLE PULLEY

HEX SHOULDER
ON SPINDLE



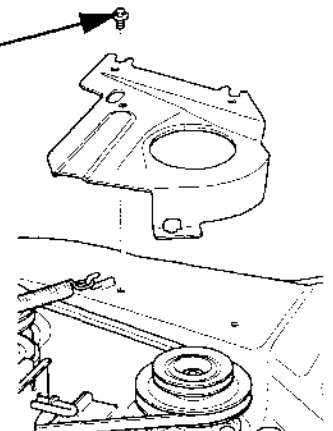
- Chisel or pry out the circular disk in the belt cover. Take care not to bend the cover. File away any burrs, and apply touch-up paint to prevent rusting of the exposed metal.

PRY OUT CENTER DISC

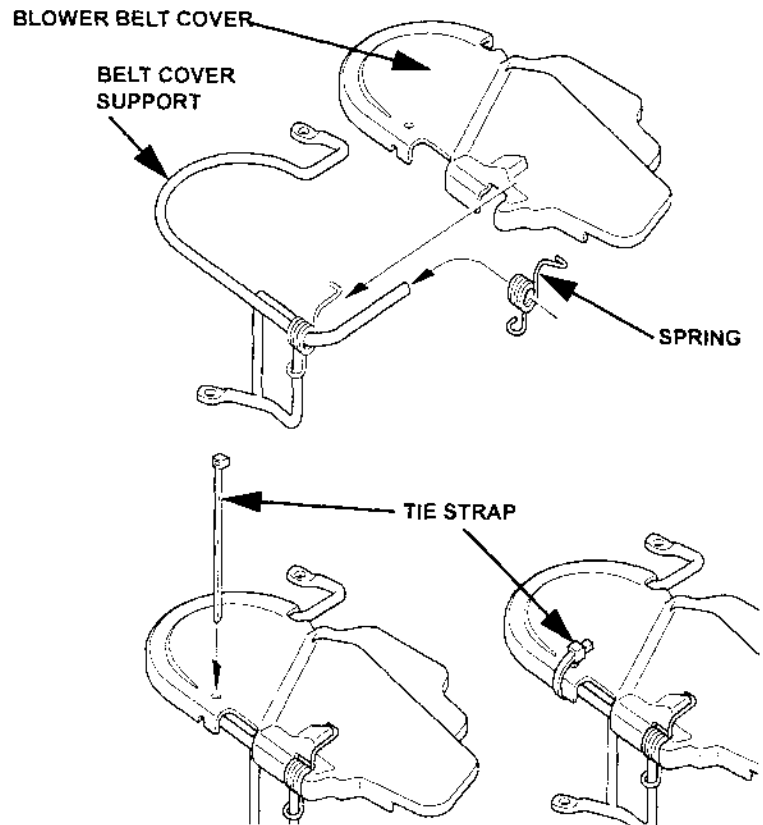


- Position the belt cover back on the mower deck. Finger tighten with the original 8 x 10 mm flange bolt in the location shown here.

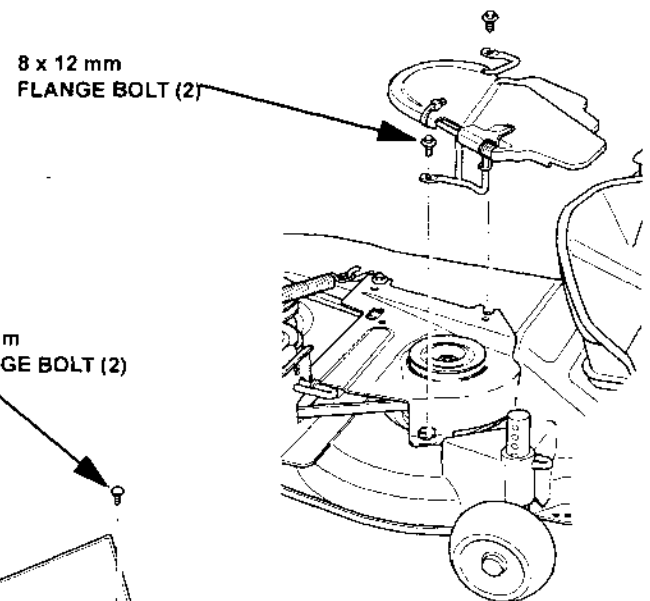
8 x 10 mm
FLANGE BOLT



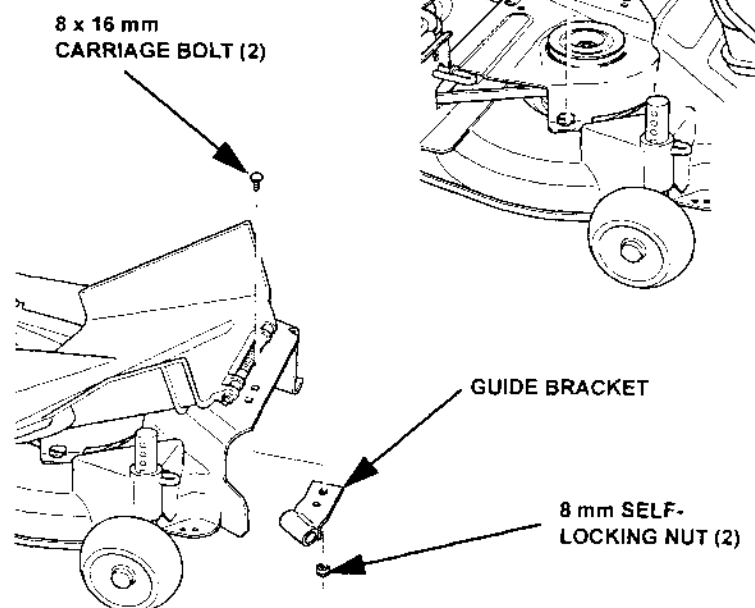
11. Install the spring on the belt cover support. Install the blower belt cover and tie strap as shown.



12. Position the blower belt cover assembly on the mower deck then install using the two new 8 x 12 mm flange bolts.



13. Install the guide bracket onto the mower deck as shown using two 8 x 16 mm carriage bolts and 8 mm self-locking nuts.



INSTALLATION

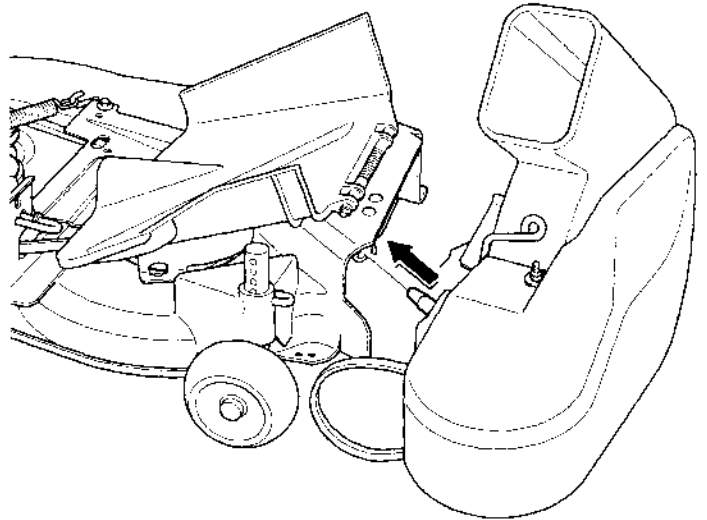
Install Mower Deck

Refer to the previous removal steps and illustrations as needed.

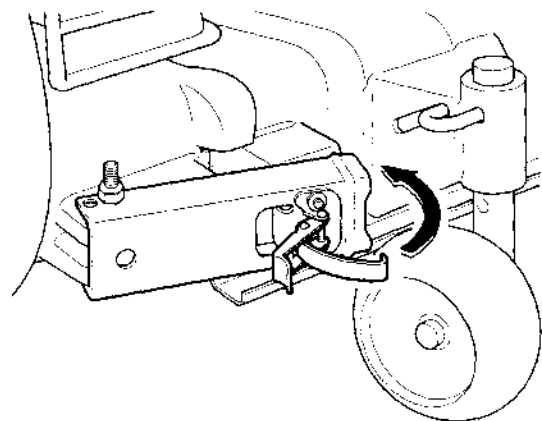
1. Put the lift lever in the TRANSPORT position. Push the mower under tractor from the right side.
2. Turn the height adjustment knob to the blank mark on the knob. Move the lift lever in the LOCKOUT position.
3. Install the rear mower deck lift brackets to the lift arms with the J-pins. you may need to slightly lift the rear of the mower deck to get the bracket holes and the pins to line up properly.
4. Attach the front lift rod assembly to the hooked end of tractor's frame brackets and the hooked end of the mower attaching brackets.
5. Rotate the front lift lever up so the pin on the lever is locked in the hole on the left-hand side of the tractor frame.
6. Install the mower drive belt on the mower drive pulley. Push the drive belt tension lever in and over the hook bracket on the mower deck.
7. Rotate the anti-scalp rollers to their previous position.

Install Side Blower

1. Install the side blower on the mower deck by first aligning the male pin on the blower with the female bracket on the inside of the discharge chute.

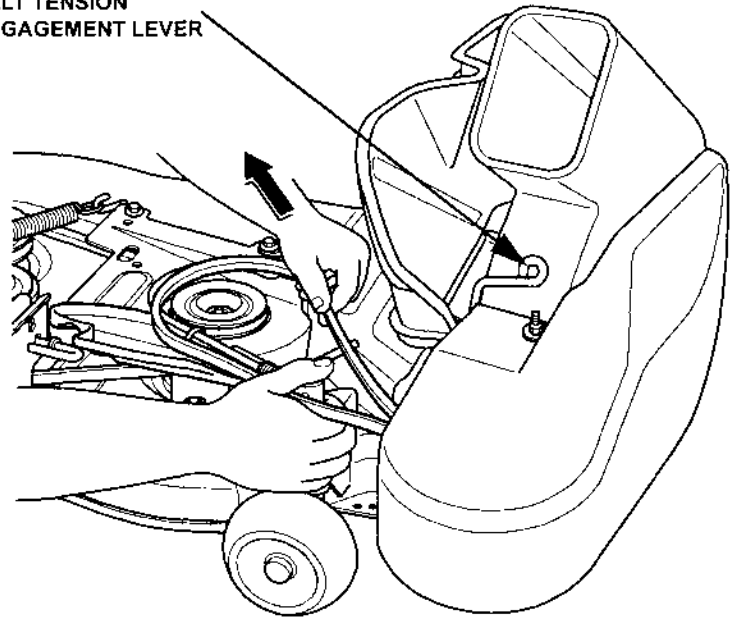


2. Push the blower onto the mower deck as far as it will go. Fasten the front latch to the welded box on the front of the discharge chute.



3. Grasp the belt as shown. Hold the rearmost section of the belt firmly, then pull on the other section firmly toward the front of the tractor. When you do, you should feel the tensioner pulley inside the side blower lock off-center. This removes the spring tension on the belt.
4. Lift the belt cover, then install the belt onto the top pulley. Verify the belt is properly routed before continuing. Close the belt cover.
5. Keep your fingers and hands away from the belt, then push the tension engagement lever toward the rear of the mower deck. Install the lower chute onto the side blower housing.

BELT TENSION
ENGAGEMENT LEVER



Continue Installation

Refer to the *Operator's Manual for the BC1000 Bagger Cart* and the *Installation Instructions for the MKC4148 Hitch Kit*. Both the cart and hitch must be installed prior to using the side blower.

TRANSPORTING & STORAGE

TRANSPORTING

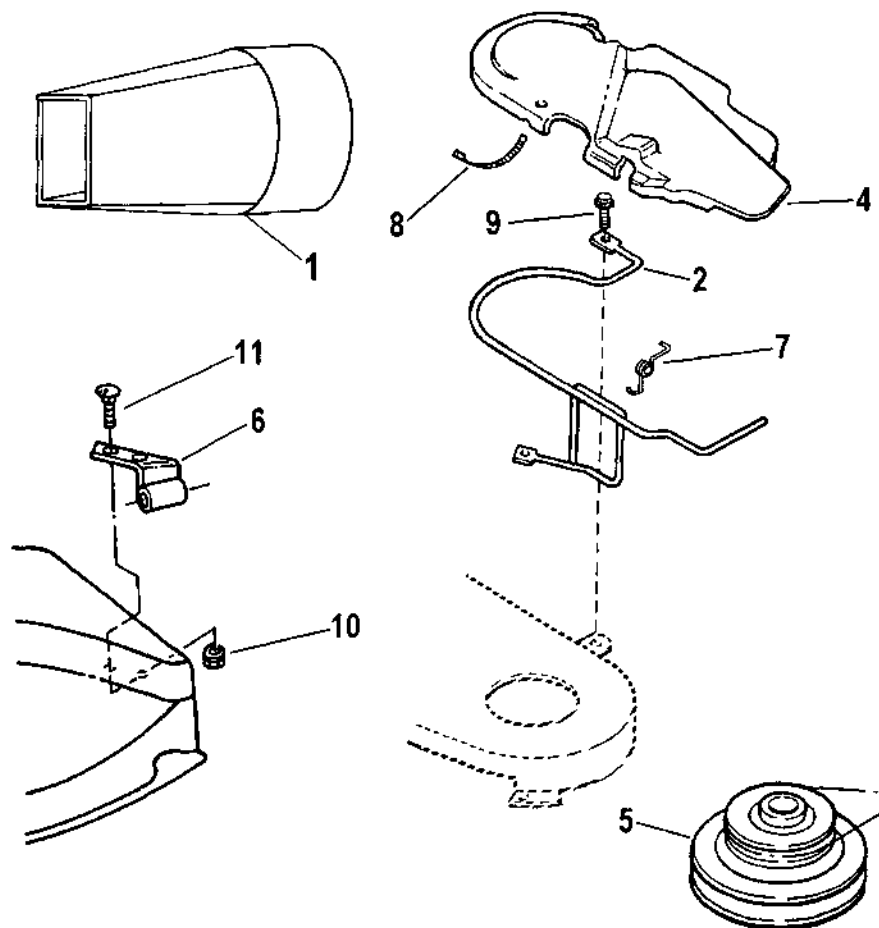
The blower assembly may remain on the mower deck during transport. However, we recommend that the bagger cart cover, flex tube, middle and lower chutes be removed.

STORAGE

Thoroughly clean and dry the entire side blower before storage. Dirt, clippings and other debris can trap moisture and promote rusting. Do not spray water into the side blower openings. Remove the side blower and the belt cover (page 9) for best access to clean all parts properly.

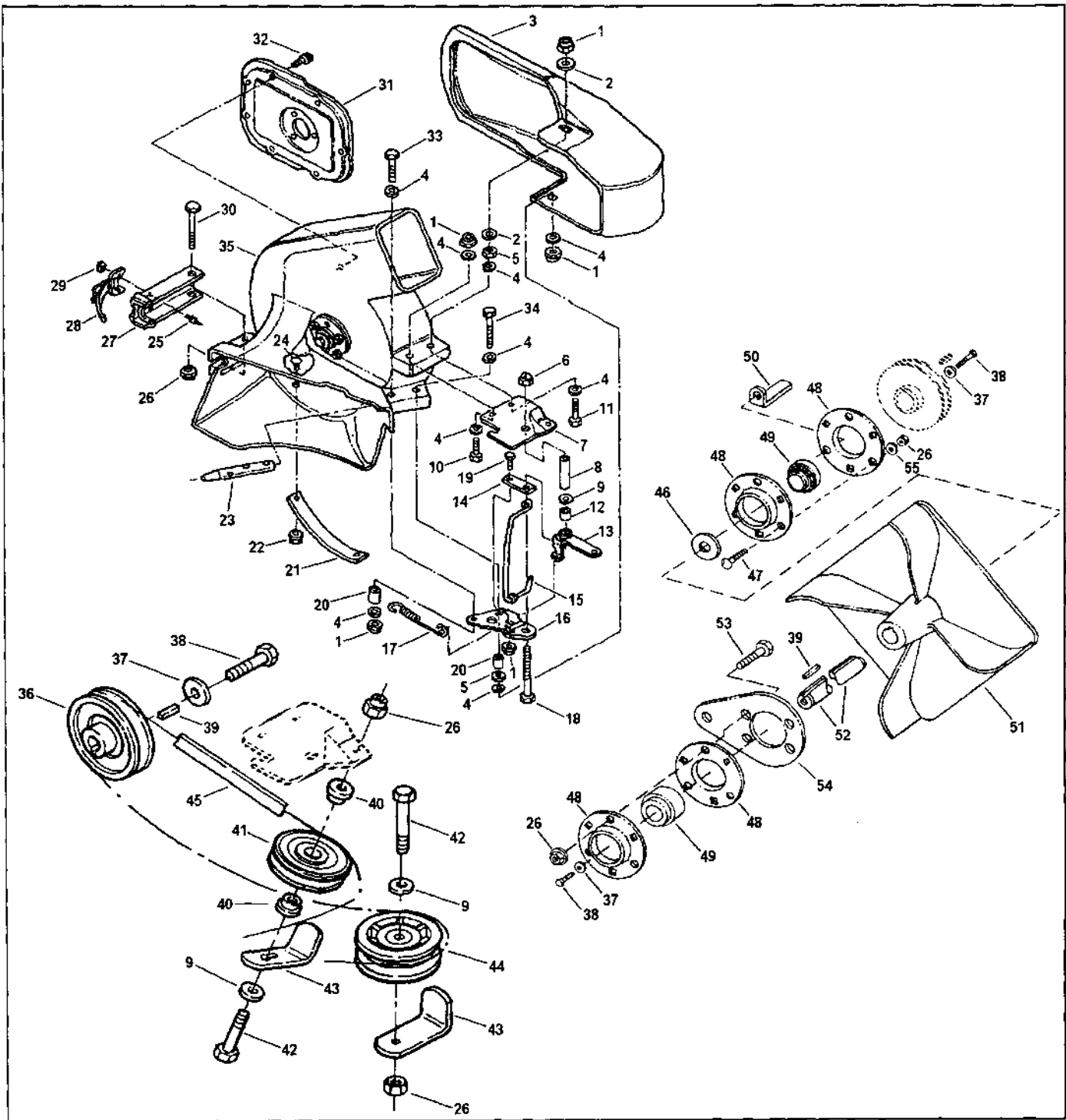
Store the side blower in a dry location. Do not cover the side blower with a plastic sheet or other material that can trap moisture. This will promote rust.

PARTS



Ref.	Description	Part Number
1	ADAPTER, POWERFLOW	81235-V09A-N61
2	SUPPORT, BELT SHIELD	81513-V09A-N61
4	SHIELD, BELT	81517-V09A-N61
5	DOUBLE PULLEY	81543-V09A-N61
6	BRKT, REAR MOUNTING	81511-V09A-N61
7	SPRING, SHIELD SUPPORT	81514-V09A-N61
8	TIE, BAND	81512-V09A-N61
9	BOLT, CARRIAGE 8 x 16 mm	90105-V09A-A01
10	NUT A, LOCK 8 mm	90302-V09A-A01
11	BOLT, 8 x 12 mm FLANGE	90154-V09A-N61

PARTS



56

Ref.	Description	Part Number
1	NUT, 6 mm FLANGE LOCK	90323-V09-N61
2	WASHER, PLAIN 9/32 x 1 -1/16"	90533-V09-N61
3	SHIELD, BELT	81518-V09-N61
4	WASHER, 6.4 x 18 x 1.6	90502-V09-A01
5	NUT, HEX 6 mm	90325-V09-N61
6	NUT, ELASTIC STOP	90326-V09-N61
7	BRACKET, UPPER IDLER	81522-V09-N61
8	BUSHING, PIVOT	81531-V09-N61
9	WASHER, PLAIN 13/32 x 7/8 x .120	90535-V09-N61
10	CAP SCREW, 6 x 45 mm	90139-V09-N61
11	CAP SCREW, 6 x 55 mm	90141-V09-N61
12	BUSHING, PIVOT	81532-V09-N61
13	ARM, IDLER	81521-V09-N61
14	STRAP	81534-V09-N61
15	LEVER	81535-V09-N61
16	BRACKET, LOWER IDLER	81523-V09-N61
17	SPRING, EXTENSION	81515-V09-N61
18	CAP SCREW 3/8 - 5"	90143-V09-N61
19	CAP SCREW, 6 x 16 mm	90145-V09-N61
20	BUSHING, BRACKET	81533-V09-N61
21	PLATE, WEAR	81525-V09-N61
22	NUT, WEAR PLATE	90327-V09-N61
23	PIN, SUPPORT	90766-V09-N61
24	BOLT, 6 x 16 mm	90146-V09-N61
25	RIVET, LATCH BRKT	90851-V09-N61
26	NUT A, LOCK 8 mm	90302-V09-A01
27	BRACKET, LATCH	81526-V09-N61
28	LATCH, TENSION	81527-V09-N61
29	WASHER, LATCH RIVET	90537-V09-N61
30	CAP SCREW, 8 x 70 mm	90147-V09-N61
31	PANEL, BEARING MOUNT	81416-V09-N61
32	BOLT, M6 x 10mm	90148-V09-N61
33	CAP SCREW, M6 x 70 mm	90149-V09-N61
34	CAP SCREW, M6 x 80 mm	90150-V09-N61
35	HOUSING, BLOWER	81441-V09-N61
36	SHEAVE, BLOWER	81421-V09-N61
37	WASHER, TENSION ARM	90522-V09-A01
38	BOLT, HEX LOCKING	90151-V09-N61
39	KEY, SQUARE	90767-V09-N61
40	BUSHING, PIVOT IDLER	91560-V09-A01
41	SHEAVE, IDLER	81541-V09-N61
42	BOLT, HEX 8 x 70 mm	90152-V09-N61
43	RETAINER, BELT	91156-V09-N61
44	SHEAVE, FLAT IDLER	81542-V09-N61
45	BELT, BLOWER DRIVE	81516-V09-N61
46	WASHER, 25/32 x 1-1/8 x .120"	90539-V09-N61
47	BOLT, CARRIAGE 8 x 20 mm	90108-V09-A01
48	RETAINER, BEARING	91157-V09-N61
49	BEARING, BALL	91055-V09-N61
50	CLIP, RETAINER	90656-V09-N61
51	FAN, ROTOR	81417-V09-N61
52	SHAFT, BLOWER	81411-V09-N61
53	BOLT, HEX 8 x 20 mm	90153-V09-N61
54	PLATE, BACKING	81418-V09-N61
55	WASHER, 11/32 x 3/4" x .120"	90540-V09-N61
56	SIDE BLOWER ASSEMBLY (COMPLETE)	06816-V09-N60

ADDITIONAL INFORMATION

INFORMATION LABEL

The serial number to your side blower is located on the inboard side of the blower housing. You may need this number when ordering parts or making technical or warranty inquiries from your Honda dealer.

HONDA PUBLICATIONS

An owner's manual and, shop manual are available for your lawn tractor. Contact your authorized servicing Honda tractor dealer to order any of these publications.

WARRANTY SERVICE INFORMATION

Honda Power Equipment dealership personnel are trained professionals. They should be able to answer any question you may have. If you encounter a problem that your dealer does not solve to your satisfaction, please discuss it with the dealership's management. The Service Manager or General Manager can help. Almost all problems are solved in this way.

If you are dissatisfied with the decision made by the dealership's management, contact the Honda Power Equipment Customer Relations Office.

You can write to:

American Honda Motor Co., Inc.
Power Equipment Division
Customer Relations Office
4900 Marconi Drive
Alpharetta, GA 30005-8847

Or telephone:

(770) 497-6400 weekdays, 8:30 a.m. - 5:00 p.m. EST

When you call or write, please provide us the following information:

- Model and serial numbers (lawn tractor and side blower)
- Name of the dealer who sold you the side blower
- Name and address of the dealer who services your lawn tractor
- Date of purchase
- Your name, address, and telephone number
- A detailed description of the problem

HONDA[®]

PN: 31BK4601



Printed on
Recycled Paper