

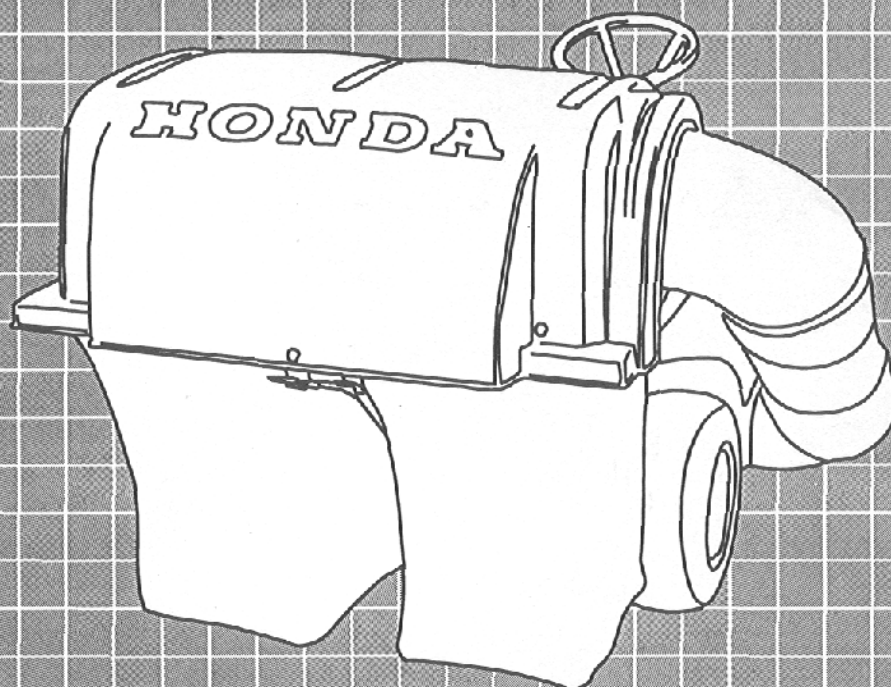
HONDA

Power

Equipment

OPERATOR'S MANUAL

GRASS-BAGGING KIT MODEL GB1000



GB1000 GRASS-BAGGING KIT

The information in this operator's manual is limited in application to Honda GB1000 grass-bagging kits for Honda riding mowers and lawn tractors. Before installing or operating this equipment, read this manual and the owner's manual supplied with the Honda riding mower or lawn tractor.


This operator's manual is considered a permanent part of the grass-bagging kit and should remain with the grass bagging kit if resold.

The information in this publication was in effect at the time of printing. American Honda Motor Co., Inc. reserves the right to change specifications or design at any time without notice and without incurring any obligation whatever.

No part of this publication may be reproduced without written permission.

Safety Messages

Your safety and the safety of others are very important. We have provided important safety messages in this manual and on the riding mower or lawn tractor. Please read these messages carefully.

A safety message alerts you to potential hazards that could hurt you or others. Each safety message is preceded by a safety alert symbol  and one of three words: DANGER, WARNING, or CAUTION.

These mean:

 **DANGER**

You **WILL** be **KILLED** or **SERIOUSLY HURT** if you don't follow instructions.

 **WARNING**

You **CAN** be **KILLED** or **SERIOUSLY HURT** if you don't follow instructions.

 **CAUTION**

You **CAN** be **HURT** if you don't follow instructions.

Each message tells you what the hazard is, what can happen, and what you can do to avoid or reduce injury.

Damage Prevention Messages

You will also see other important messages that are preceded by the word NOTICE.

This word means:

NOTICE

Your equipment or other property can be damaged if you don't follow instructions.

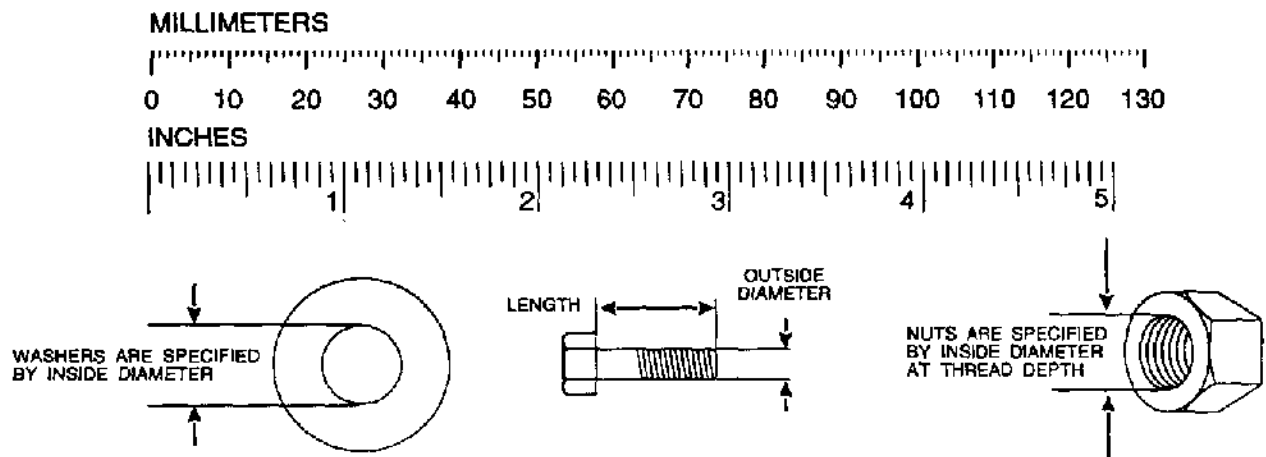
The purpose of these messages is to help prevent damage to the grass-bagging kit, other property, or the environment.

Table of Contents

GB1000 Grass-Bagging Kit Contents	1
Bagger Mount Kit Contents	2
Installation	3
Safety Label Locations	8
Mowing Tips	9
Warranty Service	11
Serial Number Location	11











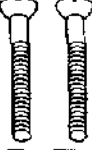














ADDITIONAL PARTS REQUIRED TO INSTALL THE GB1000 GRASS-BAGGING KIT		
LAWN TRACTOR OR RIDING MOWER	BAGGER MOUNT KIT REQUIRED	BLOWER KIT REQUIRED
All riding mowers	Yes	No
Lawn tractors with 38 inch mower decks	Yes	No
Lawn tractors with 42 inch or 46 inch mower decks (except HT4213)	Yes	Yes

How to measure hardware and components:



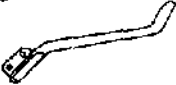
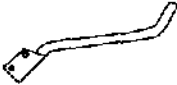
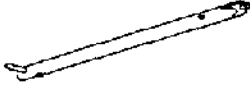






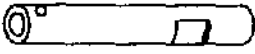




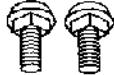





NUT AND BOLT DIAMETER	STANDARD TORQUE VALUES		
	N·m	kg-m	ft-lb
6 mm flange nuts and bolts	11	1.1	8
8 mm flat-head bolts	21	2.2	15
8 mm flange nuts and bolts	22	2.2	16
10 mm nuts	35	3.5	25

GB1000 GRASS-BAGGING KIT CONTENTS

<p>Left Bag Support</p> 	<p>Right Bag Support</p> 	<p>Retaining Band</p> 	<p>Chute Handle</p> 
<p>Chute Holder</p> 	<p>Seal Plate</p> 	<p>Hopper Top Assembly</p> 	<p>Grass Bags</p> 
<p>Grass bag Clips</p> 	<p>6 x 18 mm Flange Bolts</p> 	<p>8 x 45 mm Flat-Head Bolts</p> 	<p>8-12 x 12-20 mm Shouldered Truss-Head Bolts</p> 
<p>10-14 x 20-25 mm Shouldered Flange Bolts</p> 	<p>1/4 inch Flat Washers</p> 	<p>8 mm (5/16 inch) Flat Washers</p> 	<p>3/8 inch Flat Washers</p> 
<p>12 mm Flat Washers</p> 	<p>14 mm Spring Washers</p> 	<p>15 mm Flat Washers</p> 	<p>8 x 24 mm Sleeve Nuts</p> 
<p>6 x 24 mm Sleeve Nuts</p> 	<p>8 mm Flanged Locknuts</p> 	<p>6 mm Flanged Locknuts</p> 	<p>10 mm Nuts (6 mm thick)</p> 
<p>10 mm Nuts (8 mm thick)</p> 	<p>Safety Label</p> <div style="border: 1px solid black; padding: 5px; width: fit-content;"> <p>⚠ WARNING</p> <p>Operating the mower with this chute removed may be hazardous. You can be seriously hurt by thrown objects. Do not operate without the chute grass catcher in place.</p> </div>		

BAGGER MOUNT KIT CONTENTS

To install the GB1000 grass-bagging kit, you must obtain the correct bagger mount kit for your riding mower or lawn tractor model. These parts are not included in the GB1000 grass-bagging kit.

[A] Right Strut 	[B] Left Strut 	[C] Center Strut 	[D] Upper Chute 
[E] Middle Chute 	[F] Lower Chute 	[G] Lower Chute pin 	[H] 8 x 20 mm Flange Bolt 
[I] Weight 	[J] Mounting Shaft 	[K] 3/4 inch Flat Washer 	[L] Linch Pin 
[M] 5/16 x 7/8 inch Carriage Bolts 	[N] 5/16 inch Flange Nuts 	[O] 5/16 x 7/8 inch Carriage Bolts 	[P] 5/16 inch Lock Washers 
[Q] 5/16 inch Hex Nuts 	[R] 8 mm Flat Washers 	[S] 5/16 inch Flange Nuts 	[T] 8 x 20 mm Flange Bolts 

Bagger Mount Kit Contents Identification Table

Items	All	MKB1030 (H1011)	MKB2038 H2013	MKB3030 (HTR3009, H3011)	MKB3038 (H3013, HTR3811)	MKB3813 (HT3810, HT3813)	MKB4038 (H4013, H4514, H4518 w/38")	MKB4500 (H4514, H4518 w/42" & 46")
[A]	X							
[B]	X							
[C]	X							
[D]	X							
[E]	X							
[F]		X	X	X	X	X	X	
[G]			X				X	
[H]				X	X	X	X	X
[I]		X						
[J]		X						
[K]		X						
[L]		X						
[M]		X						
[N]		X						
[O]			X		X			
[P]					X			
[Q]					X			
[R]		X		X	X			
[S]			X					
[T]			X					

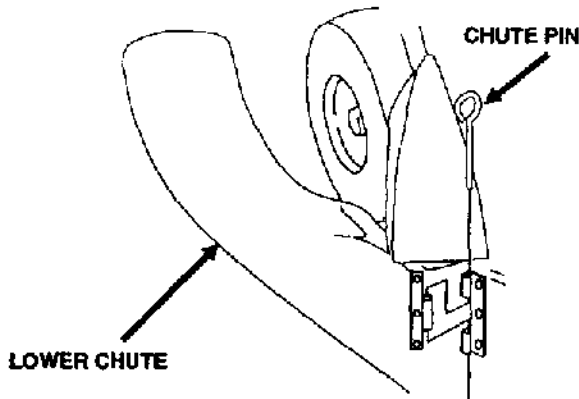
INSTALLATION

H4514 and H4518 with 42 and 46 inch mower deck:

1. Install the blower kit, following the instructions provided with that kit.
2. Install the lower chute.

H2013, H4013, H4514 and H4518 Lawn Tractors with 38 inch mower deck:

Raise the discharge adapter. Position the lower chute on the mower deck, and insert the chute pin.

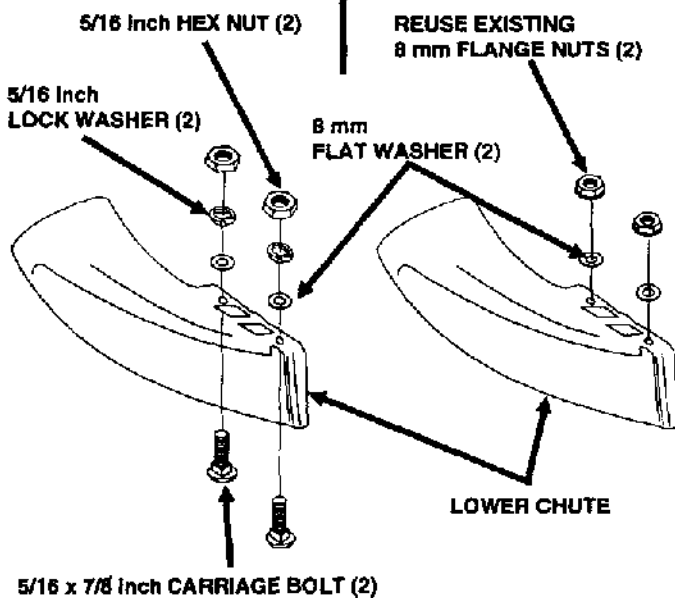


Riding Mowers:

- a. Remove and store the discharge adapter.
- b. Install the lower chute on the mower deck as shown below. Tighten the nuts securely.

H3013 and HTR3811 ONLY

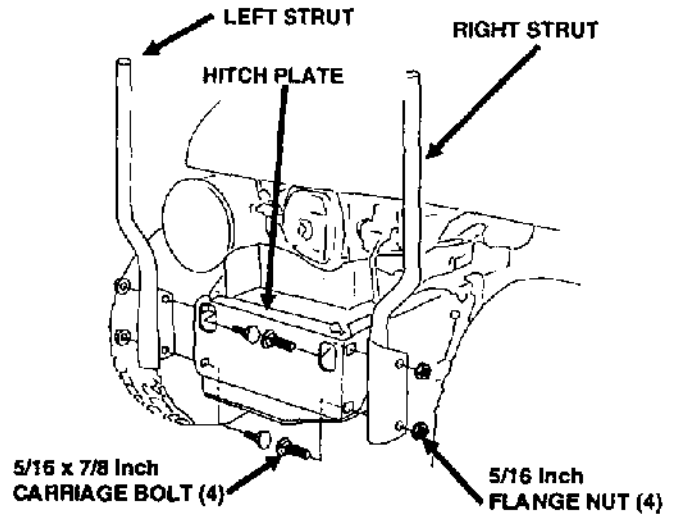
All Other Riding Mowers



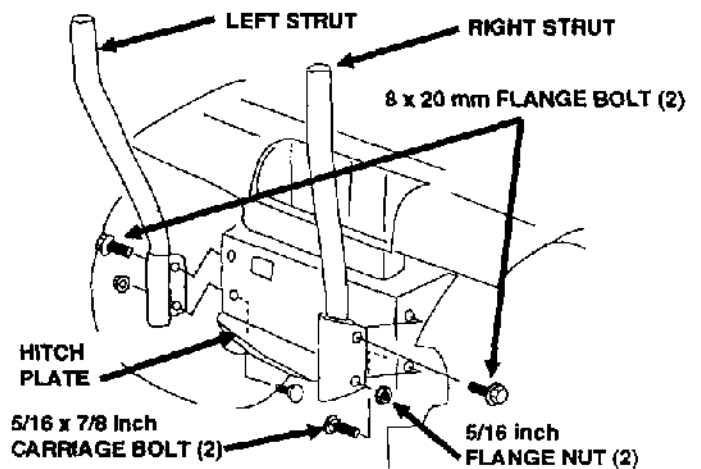
3. Install the left and right struts on the hitch plate, as shown.

Leave the bolts loose until step 6 has been completed.

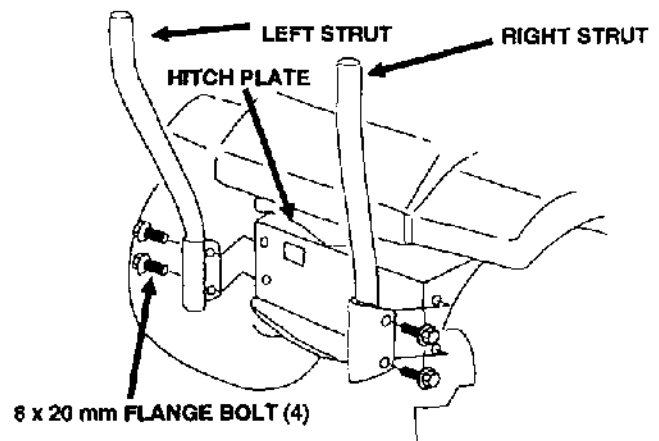
H1011 Riding Mower Only:



H2013 Lawn Tractor Only:



All Other Models:



INSTALLATION

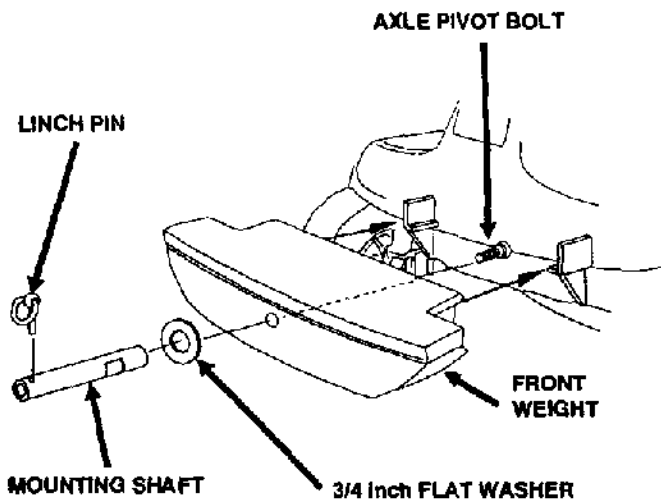
GB1000 GRASS-BAGGING KIT

H1011 Riding Mower Only:

4. Install the front weight mounting shaft on the end of the axle pivot bolt (do not remove the axle pivot nut). Tighten the mounting shaft securely.

Slide the front weight onto the mounting shaft, and install the 3/4 inch washer.

Insert the linchpin, and swing the retaining ring over the end of the shaft.

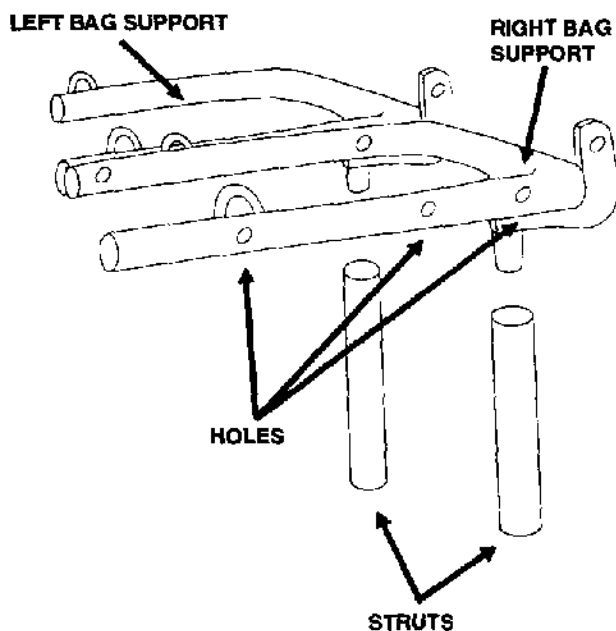


All Riding Mowers and Lawn Tractors:

5. Install the left and right bag supports by sliding their connectors into the struts as shown.

The left bag support is shorter on the left side.

The right bag support has 3 holes on the right side.



6. Insert the bottom of the center strut into the hitch plate hole, as shown. Place the top of the strut between the bag supports.

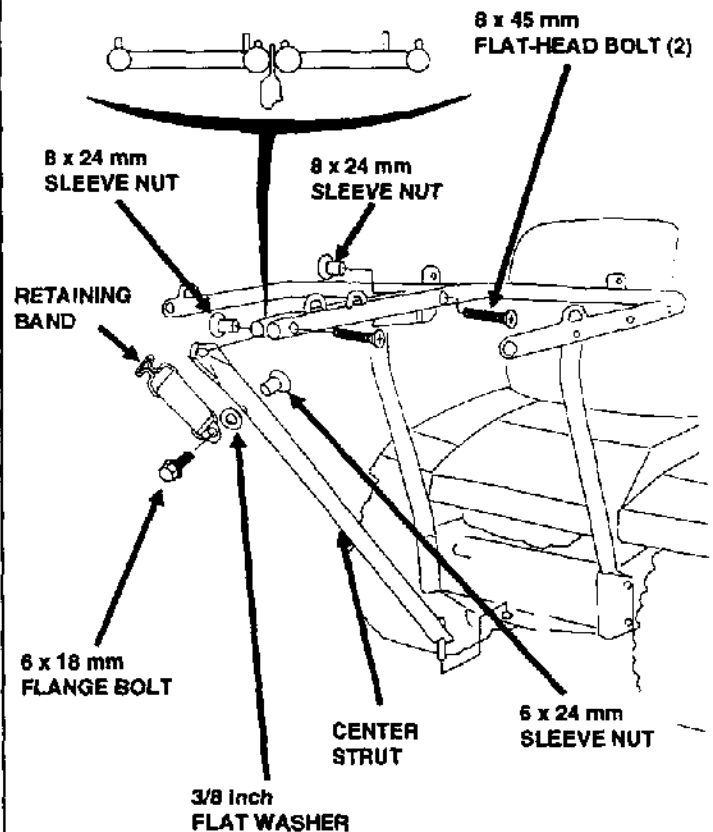
Attach the bag supports to the center strut using an 8 x 24 mm sleeve nut and 8 x 45 mm flat-head bolt.

Install the remaining 8 x 24 mm sleeve nut and 8 x 45 mm flat-head bolt through the bag support holes ahead of the center strut.

Install the hopper top retaining band on the center strut, as shown, using a 6 x 24 mm sleeve nut, 3/8 inch washer, and 6 x 18 mm flange bolt.

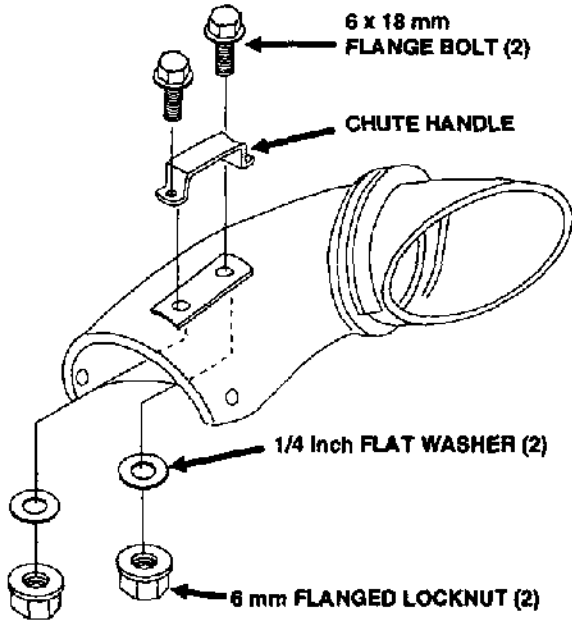
Tighten all bolts and nuts.

BOLT DIAMETER	STANDARD TORQUE	
	N'm	ft-lb
6 mm flat-head bolts	10	7.2
6 mm flange bolt	11	8.0
8 mm flange bolts and nuts	22	16.0



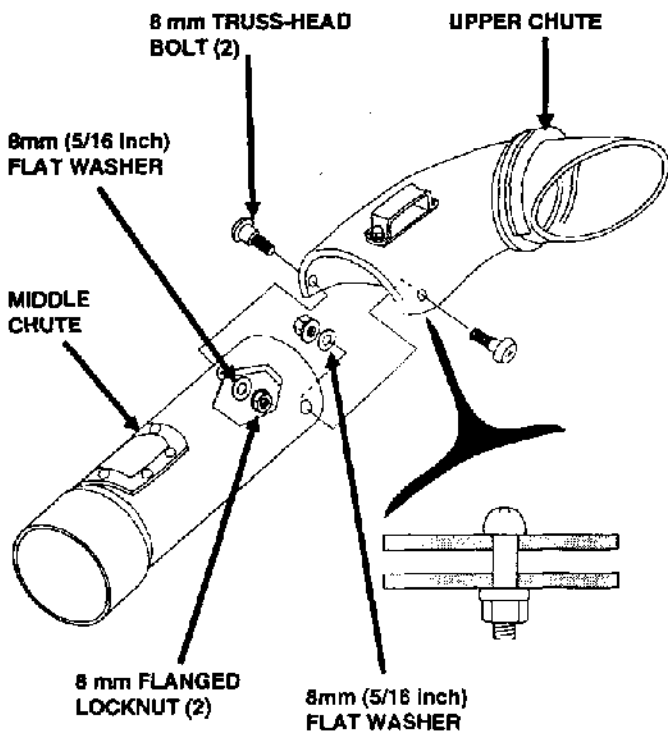
7. Install the chute handle on the upper chute, using two 6 x 18 mm flange bolts, 1/4 inch flat washers, and 6 mm flanged locknuts.

Tighten the 6 mm nuts and bolts to a torque value of 11 N·m (8 ft-lb).



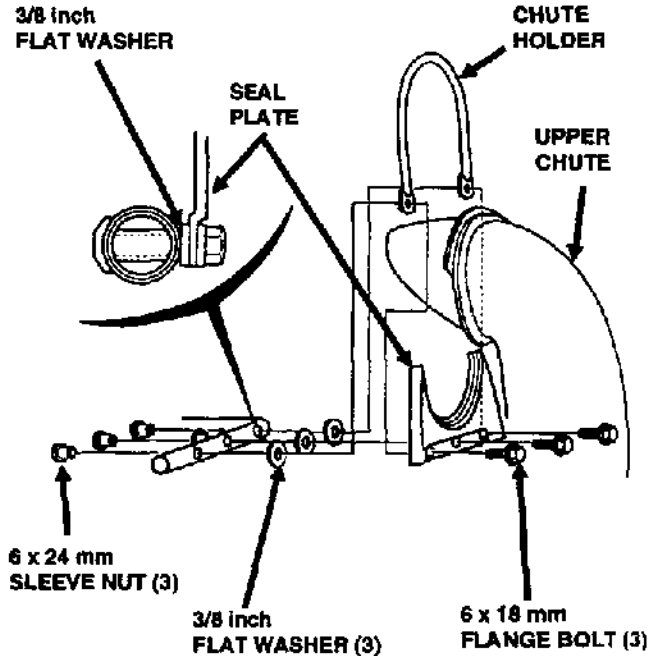
8. Connect the upper and middle chutes, using two 8 mm truss-head bolts, 8 mm (5/16 inch) flat washers, and 8 mm flanged locknuts.

Tighten the 8 mm nuts and bolts to a torque value of 22 N·m (16 ft-lb).

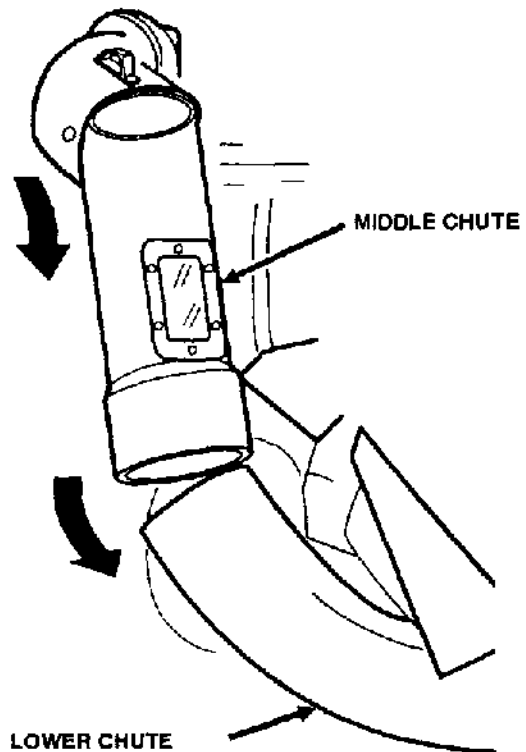


9. Attach the upper chute, chute holder, and seal plate, to the right bag support, using three 6 x 18 mm flange bolts, 3/8 inch flat washers, and 6 x 24 mm sleeve nuts.

Tighten the 6 mm nuts and bolts to a torque value of 11 N·m (8 ft-lb).



10. Slide the end of the middle chute over the lower chute.



INSTALLATION

GB1000 GRASS-BAGGING KIT

11. Place the hopper top assembly on the bag supports, with the hopper top hinge brackets on the left side of the bag support hinge brackets.

Note: The hopper top hinge brackets must be positioned to the left in order to contact the hinge stops on the bag supports when the hopper top is opened.

Install two 10 mm shouldered flange bolts, 14 mm spring washers, 15 mm flat washers, and 12 mm thin flat washers on the hinge brackets, as shown.

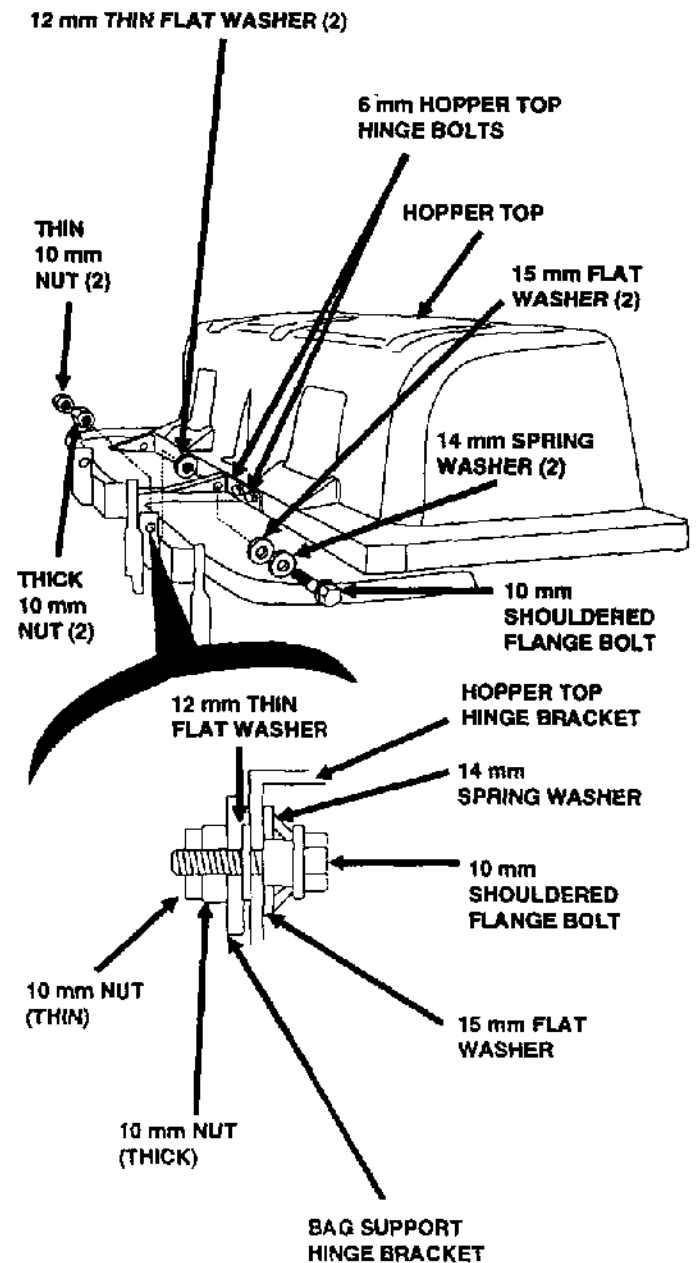
- Place each spring washer on the bolt with the convex side of the washer against the bolt head.
- Insert the bolts from the left side, through the hopper top brackets and then through the bag support brackets.

With all washers in place, install the thick 10 mm nuts on the 10 mm flange bolts, and check hinge alignment. If necessary, loosen the 6 mm bolts on the hopper top hinge brackets to adjust hinge alignment, then retighten the 6 mm bolts.

Tighten the thick 10 mm nuts to adjust hopper hinge resistance, so the hopper top will stay open when raised. This will facilitate bag installation and removal.

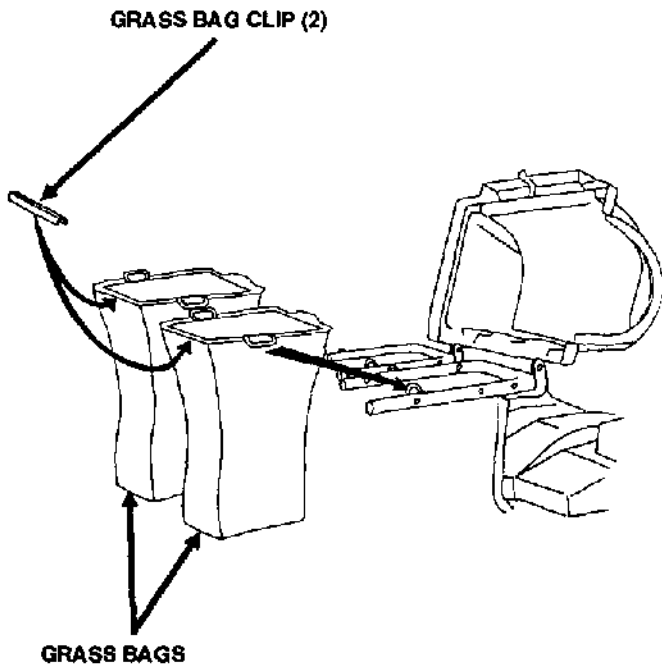
Install the thin 10 mm nuts, and tighten them against the thick 10 mm nuts to lock the nuts.

Tighten to a torque value of 35 N·m (25 ft·lb).

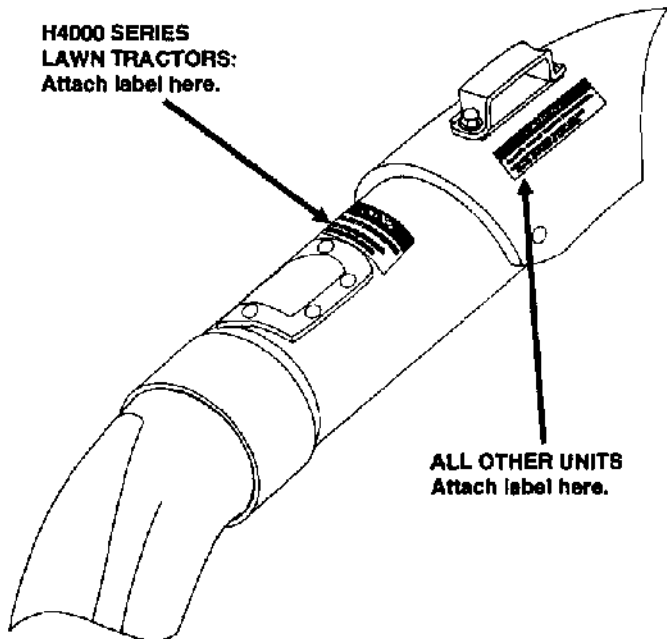


12. Hook the grass bags onto the retaining lugs of the bag supports.

Install the grass bag clips on the rear edges of the grass bags.



13. Attach the safety label to the chute, as shown.

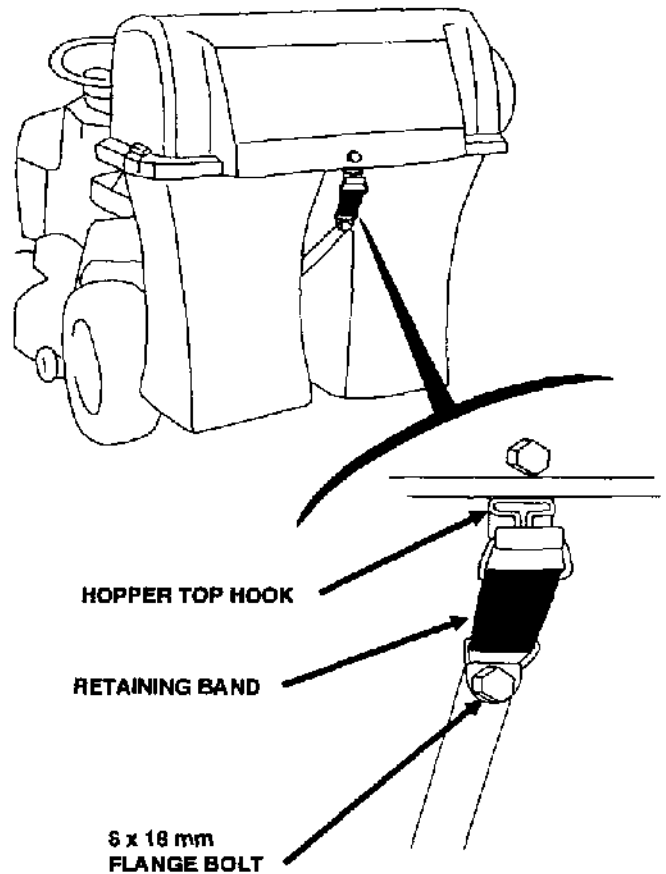


14. Close the hopper top, and secure it with the retaining band.

The retaining band should have enough tension to hold the hopper top securely closed, but should be easy to hook and unhook.

The base of the retaining band is slotted for tension adjustment. If necessary, loosen the 6 x 18 mm flange bolt at the base of the band, and move the band up or down to adjust tension.

Tighten the 6 x 18 mm flange bolt to a torque value of 11 N·m (8 ft-lb).



SAFETY LABEL LOCATIONS

The labels shown here contain important safety information. Please read them carefully. These labels are considered permanent parts of your grass-bagging equipment. So if a label comes off or becomes hard to read, contact your dealer for a replacement.

⚠ WARNING

Overloading the grass bag assembly can cause the tractor to tip over and you can be seriously hurt or killed.

- Never attach cargo or allow anyone to ride on this cover.
- Empty grass bags before completely full.

⚠ WARNING

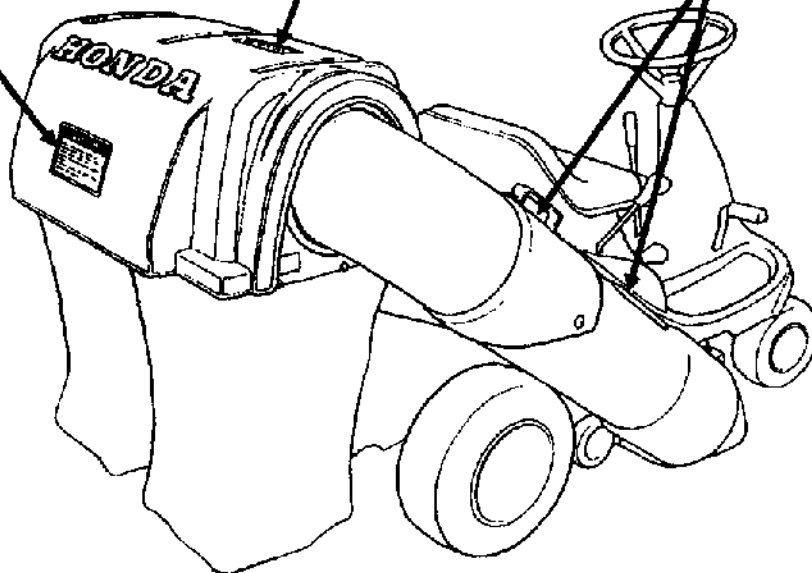
Objects thrown by the mower can cause you to be seriously hurt or killed.

- Stop engine before removing or installing bag and chute.
- Do not open hopper top while blade is turning.

⚠ WARNING

Operating the mower with this chute removed can be hazardous. You can be seriously hurt by thrown objects. Do not operate without the entire grass catcher in place.

Refer to page 7 for applicable label location



MOWING TIPS

For safe operation of the H1011 riding mower, the front weight is needed to counterbalance the grass-bagging kit and the grass that accumulates in the bags.

⚠ WARNING

The H1011 riding mower can become unstable if the grass-bagging kit is used without the front weight.

Loss of control or overturning can result in serious injury.

Be sure the front weight is properly installed before operation.



TOO SHORT



LONG ENOUGH

When to Mow

Most grasses should be mowed when they have grown 1/2 to 1 inch above their recommended height.

Cutting Height

Consult a local nursery or lawn and garden center for cutting height recommendations and advice about specific types of grasses and growing conditions in your area.

If you look closely, you'll see that most grass has stems and leaves. If you cut off the leaves, you'll scalp the lawn. Let the grass recover between mowings.

If your grass gets too tall, cut it once at the highest cutting height setting, then mow again in 2 or 3 days. Don't take off more than one third of total grass height in any one mowing, or brown patches may develop.

Cutting Width

For an even lawn finish, overlap each mowing swath by a few inches. If the grass is very tall or thick, use more overlap and a narrower mowing swath.

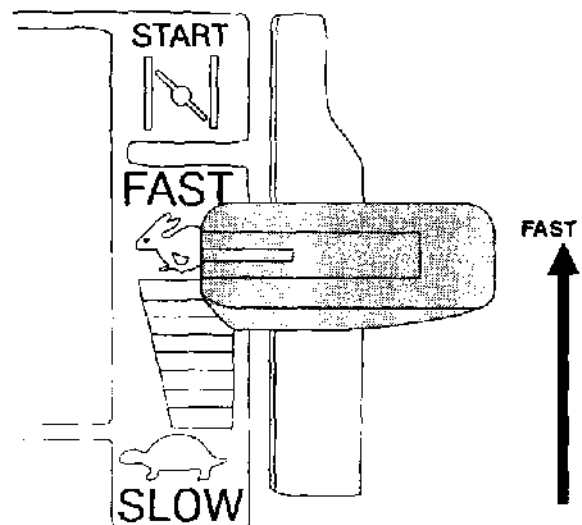
Blade Speed

The blade must spin very fast to cut properly. Always use the FAST throttle setting, and keep the engine running at maximum rpm.

If engine speed drops, that means the blades are trying to take too big a bite. Mow a narrower swath, use a slower drive speed, or raise the cutting height.

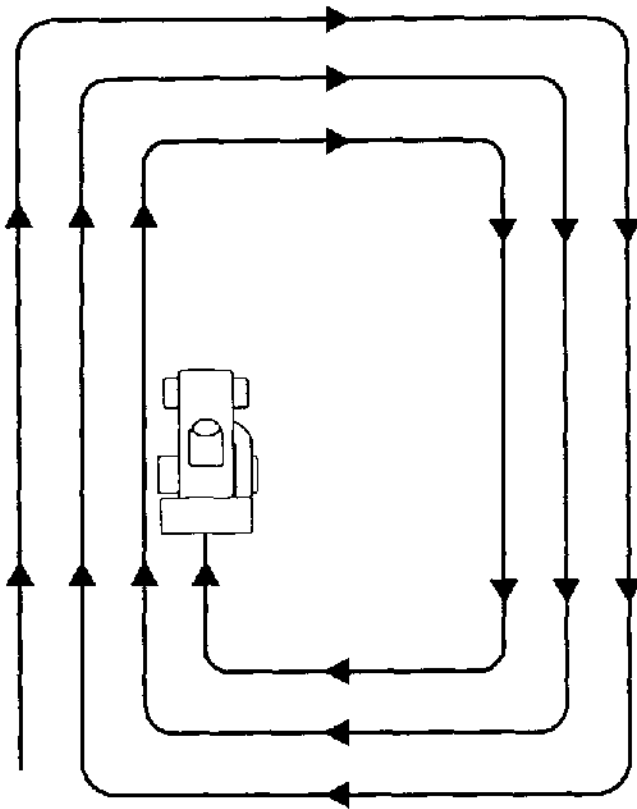
Blade Sharpness

Sharp blades cut cleanly. Dull blades tear the grass, leaving shredded ends that turn brown. When your blades don't cut cleanly anymore, have them sharpened or replaced.



FAST





MOWING PATTERN FOR BAGGING

MOWING PATTERN

A clockwise mowing pattern will give the best bagging performance, leaving the least amount of clippings on the lawn. This is due to mower deck design and blade rotational direction.

If the lawn has an irregular shape, or many obstacles, divide it into sections where you can use clockwise mowing patterns.

Grass Bag Cleaning

When the grass bags become clogged with dirt, they will not collect grass efficiently and must be cleaned. Wash the grass bags with a garden hose, and allow them to dry completely before use; wet bags will clog quickly.

Grass bags are subject to deterioration and wear during usage. Inspect the bags periodically for tears, holes or weak spots and replace them with new bags meeting manufacturer durability requirements.



Dry Grass

If the ground is too dry, mowing will stir up a lot of dust. Besides being unpleasant to work in, too much dust will clog the carburetor air filter.

If dust is a problem, water your lawn the day before mowing. Mow when the grass is dry to your touch, but the soil is still moist.

Wet Grass

Wet grass clippings will tend to clog the mower deck and chute, and they will lie in clumps on the lawn. Always wait for wet grass to dry before mowing.

If the Mower Deck or Chute Clogs

Stop the engine before clearing a clogged mower deck or chute. Use a stick to clean out clogged clippings.

WARRANTY SERVICE

Customer Service Information

Honda Power Equipment dealership personnel are trained professionals. They should be able to answer any question you may have. If you encounter a problem that your dealer does not solve to your satisfaction, please discuss it with the dealership's management. The Service Manager or General Manager can help. Almost all problems are solved in this way.

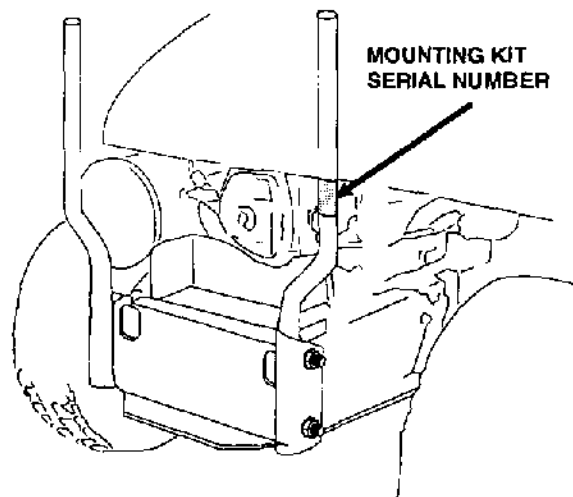
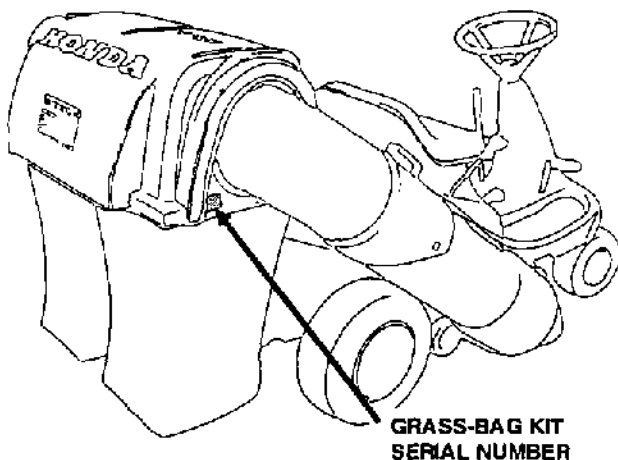
If you are dissatisfied with the decision made by the dealership's management, contact the Honda Power Equipment Customer Service Office. You can write to:

American Honda Motor Co., Inc.
Honda Power Equipment Division
Customer Service Office
4475 River Green Parkway
Duluth, GA 30136

Or telephone: (404) 497-6400

When you write or call, please give us this information:

- Model numbers of your grass-bagging kit (GB1000) and riding mower or lawn tractor
- Serial numbers of your grass-bagging kit and mounting kit
- Name of the dealer who sold the grass-bagging kit to you
- Name and address of the dealer who services your equipment
- Date of purchase
- Your name, address, and telephone number
- A detailed description of the problem



Current customer service contact information:

United States, Puerto Rico, and U.S. Virgin Islands:

Honda Power Equipment dealership personnel are trained professionals. They should be able to answer any question you may have. If you encounter a problem that your dealer does not solve to your satisfaction, please discuss it with the dealership's management. The Service Manager or General Manager can help. Almost all problems are solved in this way.

If you are dissatisfied with the decision made by the dealership's management, contact the Honda Power Equipment Customer Relations Office. You can write:

American Honda Motor Co., Inc.
Power Equipment Division
Customer Relations Office
4900 Marconi Drive
Alpharetta, GA 30005-8847

Or telephone: (770) 497-6400 M-F, 8:30 am - 5:00 pm EST

When you write or call, please provide the following information:

- Model and serial numbers
- Name of the dealer who sold the Honda power equipment to you
- Name and address of the dealer who services your equipment
- Date of purchase
- Your name, address, and telephone number
- A detailed description of the problem

