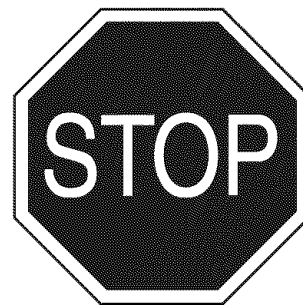


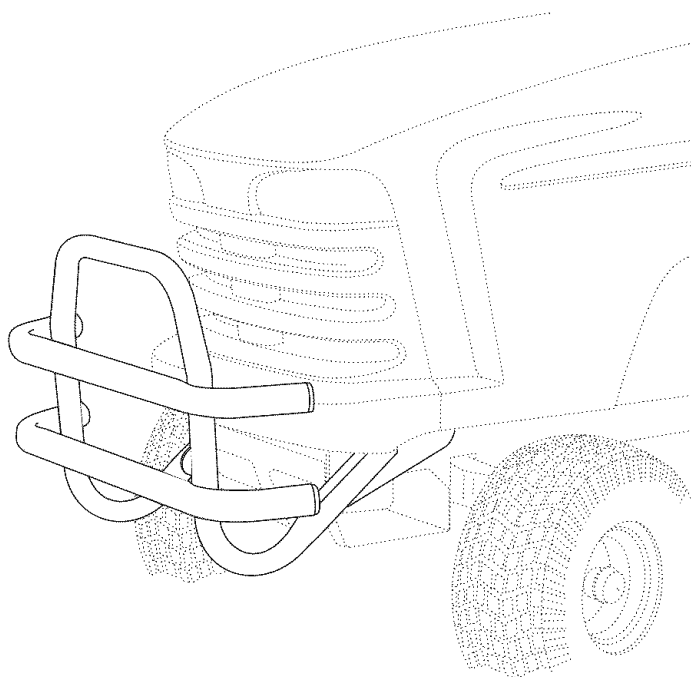
Owner's Manual



DO NOT RETURN TO STORE
For Missing Parts or Assembly
Questions Call 1-866-576-8388

TRACTOR BRUSH GUARD

Model No's. 486.246213, 486.246222 & 486.246232



CAUTION:

Before using this product, read this manual and follow all Safety Rules and Operating Instructions.

- Safety
- Assembly
- Operation
- Maintenance
- Parts

Sears, Roebuck and Co., Hoffman Estates, IL 60179 U.S.A.
www.sears.com/craftsman

PRINTED IN U.S.A.

FORM NO. 40865 (09/04/07)

WARRANTY

ONE YEAR LIMITED WARRANTY

When operated and maintained according to the instructions supplied with it, if this Tractor Brush Guard fails due to a defect in material or workmanship within one year from the date of purchase, call 1-800-4-MY-HOME® to arrange for free repair.

If this product is used for commercial or rental purposes, this warranty applies for only 90 days from the date of purchase.

This warranty gives you specific legal rights, and you may also have other rights which vary from state to state.

Sears, Roebuck and Co., D817WA, Hoffman Estates, IL 60179



SAFETY



Any power equipment can cause injury if operated improperly or if the user does not understand how to operate the equipment. Exercise caution at all times, when using power equipment.

- Refer to your tractor owners manual for "Rules For Safe Operation".



Look for this symbol to point out important safety precautions. It means — **Attention!! Become alert!! Your safety is involved.**

BEFORE YOU BEGIN

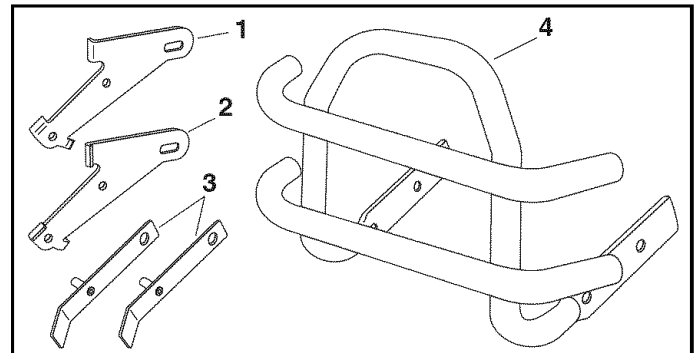
TOOLS REQUIRED

- (2) 9/16" Wrenches
- (1) 1/2" Wrench (for heat shield on page 5)

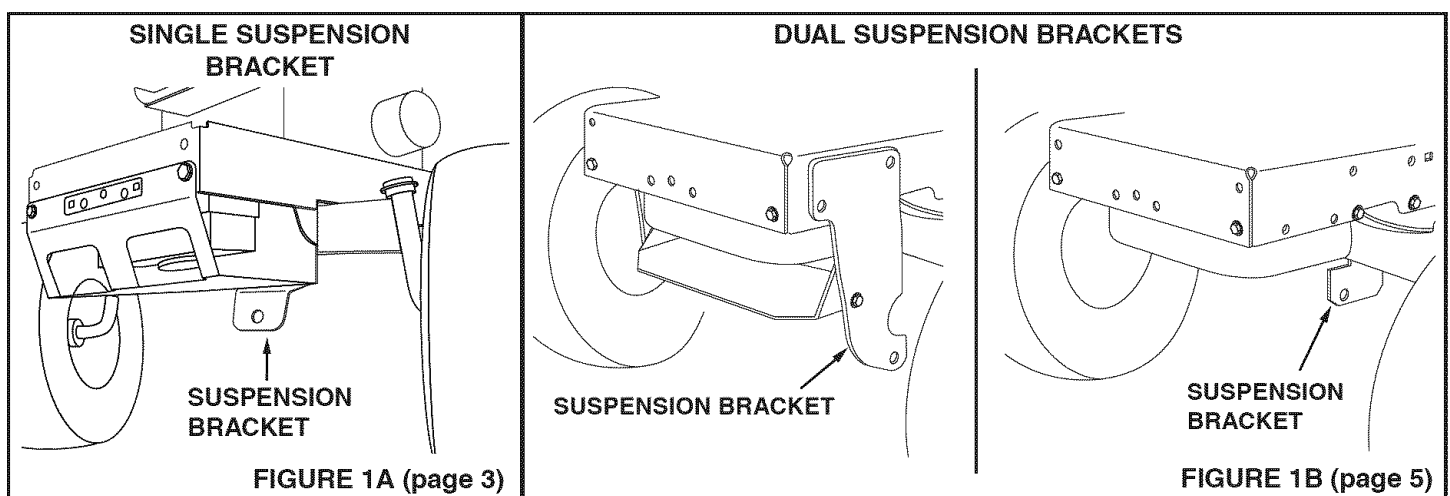
CARTON CONTENTS

REF	PART NO.	QTY.	DESCRIPTION
1	25038	1	Right Mounting Bracket
2	25037	1	Left Mounting Bracket
3	64862	2	Locking Lever
4	64614B	1	Bumper (71-246213)
	64614S	1	Bumper (71-246222)
	64614C	1	Bumper (71-246232)

CARTON CONTENTS



DETERMINE IF YOUR TRACTOR HAS A SINGLE SUSPENSION BRACKET OR DUAL SUSPENSION BRACKETS



Look under the front of your tractor (Figure 1A & 1B). If there is a single mower deck suspension bracket located underneath the middle of the front axle, continue on to INSTRUCTIONS FOR SINGLE SUSPENSION BRACKET TRACTORS on page 3. If your tractor does not have a mower deck suspension bracket underneath the middle of the front axle, skip to INSTRUCTIONS FOR DUAL SUSPENSION BRACKET TRACTORS on page 5.

INSTRUCTIONS FOR SINGLE SUSPENSION BRACKET TRACTORS

STEP 1: (SEE FIGURE 2)

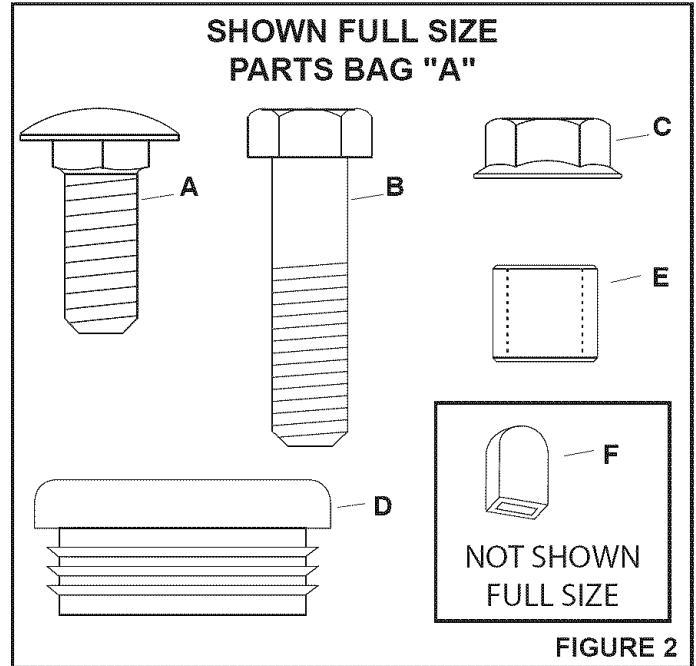
Open parts bag labelled "A" and verify that all parts are present.

NOTE: Place cardboard or a mat on work surface to prevent scratching of parts removed from carton and tractor.



CAUTION! Muffler is hot! Allow engine to cool down before proceeding with bumper installation.

NOTE: Right hand (RH) and left hand (LH) are determined from the operator's position while seated on the tractor.

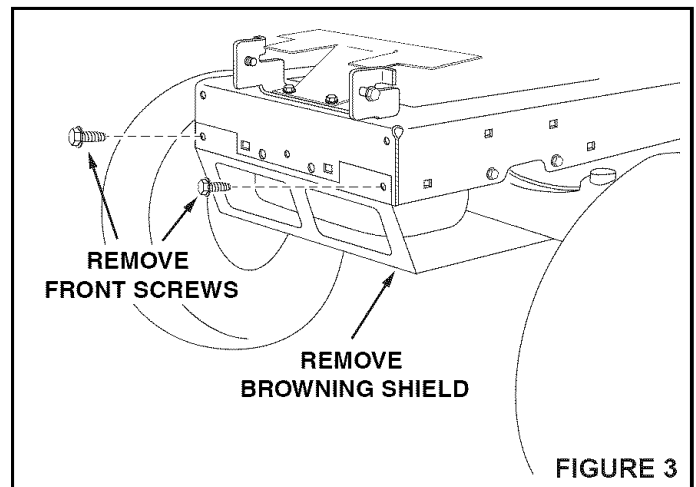


REF	PART NO.	QTY.	DESCRIPTION
A	43350	2	Carriage Bolt, 3/8-16 x 1"
B	43062	2	Hex Bolt, 3/8-16 x 1-1/2"
C	44072	4	Whizlock Nut, 3/8"
D	44742	4	Plug
E	48866	2	Pivot Spacer
F	1643-60	2	Plastic Grip

STEP 2: (SEE FIGURE 3)

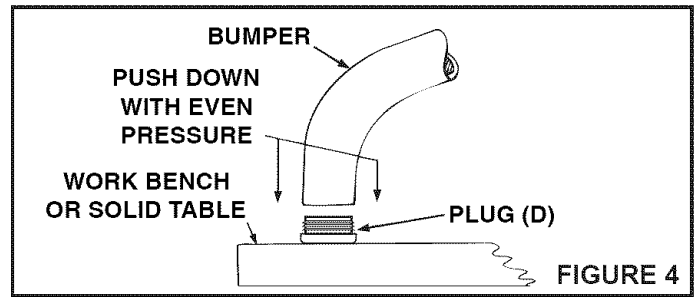
- Remove hood from tractor using instructions in your tractor owner's manual. Place hood on cardboard or on a mat to protect paint.
- Remove the Browning shield from the front of the tractor as shown.

IMPORTANT: Be sure to reattach the Browning shield after bumper is installed.



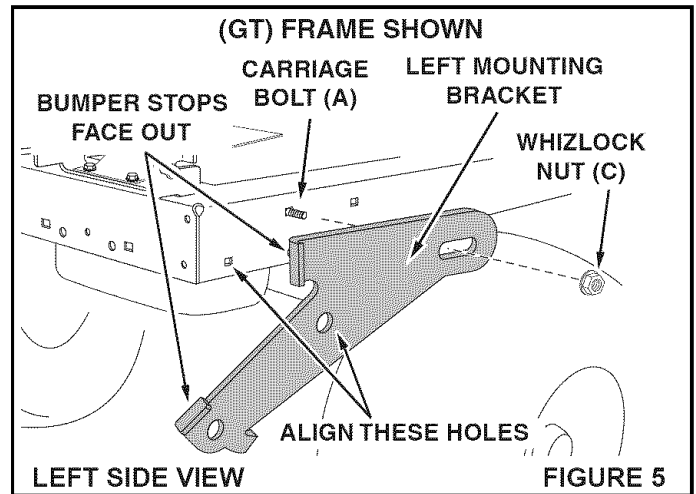
STEP 3: (SEE FIGURE 4)

- Place plug (D) on a work bench or solid table and push end of bumper down onto plug. Repeat for all four plugs.



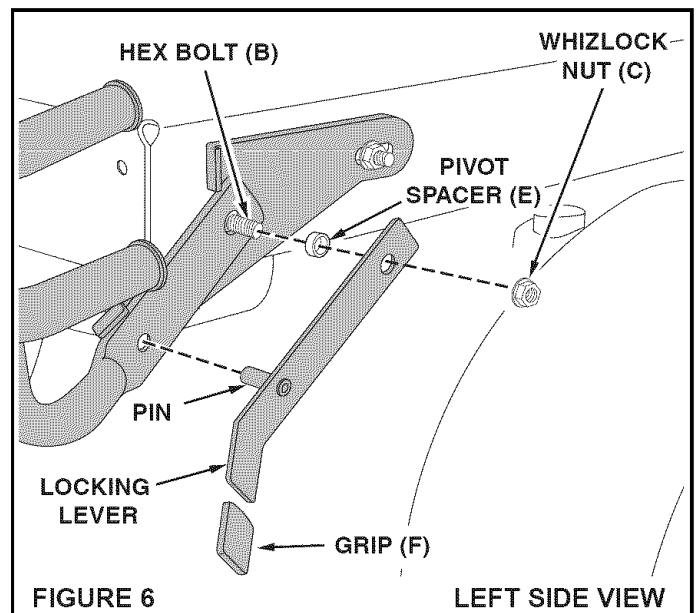
STEP 4: (SEE FIGURE 5)

- Attach left mounting bracket to hole shown in left side of tractor frame using a carriage bolt (A) and whizlock nut (C). Align middle hole in bracket with empty hole in tractor frame. Tighten whizlock nut (C) only enough to keep bracket in alignment until step 5. Repeat for right mounting bracket.



STEP 5: (SEE FIGURE 6)

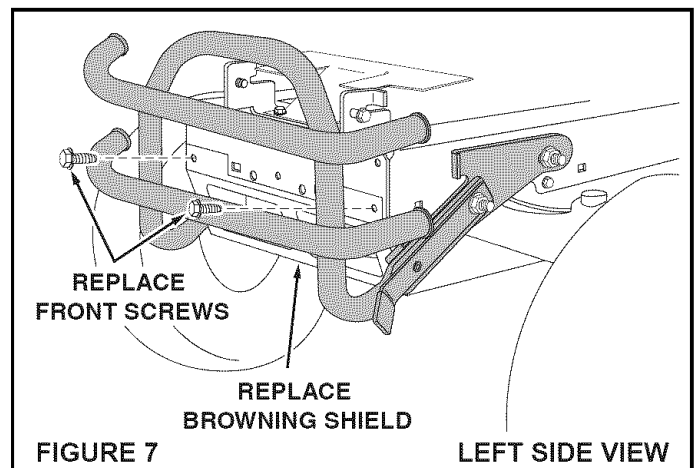
- Fasten bumper to mounting bracket using a hex bolt (B), pivot spacer (E), a locking lever and a whizlock nut (C) as shown. The pivot spacer inserts into hole in bumper. **Tighten both nuts** on mounting bracket at this time. Repeat for other side.
- Assemble plastic grips (F) onto locking levers.
- Lift up on bumper until pins in locking levers snap into holes in mounting brackets.



IMPORTANT: You must lower bumper before raising tractor hood. Pull out on locking levers and push bumper down as far as it will go.

STEP 6: (SEE FIGURE 7)

- Replace the front screws and browning shield you removed in **Step 2** as shown.



INSTRUCTIONS FOR DUAL SUSPENSION BRACKET TRACTORS

STEP 1: (SEE FIGURE 2)

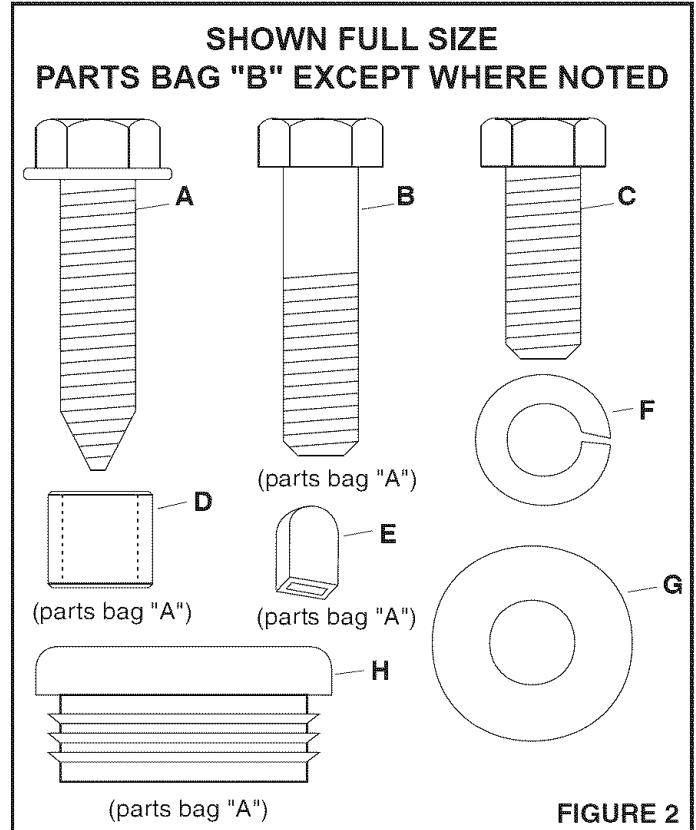
Open parts bags labelled "A" and "B" and verify that all parts are present.

NOTE: Place cardboard or a mat on work surface to prevent scratching of parts removed from carton and tractor.



CAUTION! Muffler is hot! Allow engine to cool down before proceeding with bumper installation.

NOTE: Right hand (RH) and left hand (LH) are determined from the operator's position while seated on the tractor.

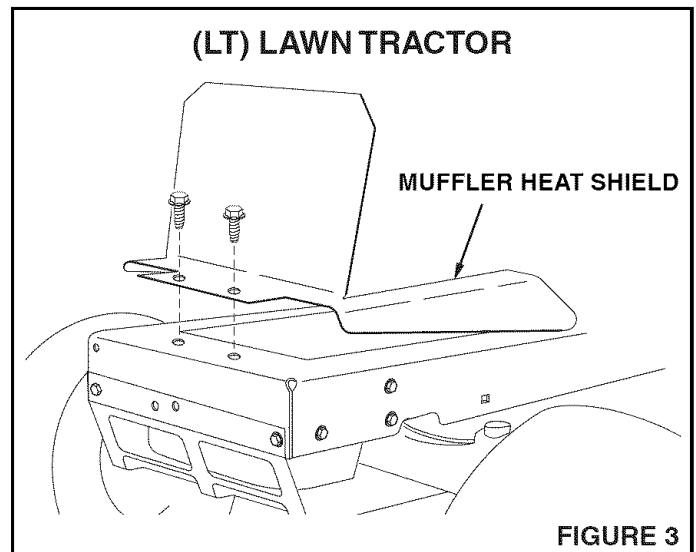


REF	PART NO.	QTY.	DESCRIPTION
A	48894	2	Self Threading Screw, 3/8-16 x 1-1/2"
B	43062	2	Hex Bolt, 3/8-16 x 1-1/2"
C	43001	2	Hex Bolt, 3/8-16 x 1"
D	48866	2	Pivot Spacer
E	1643-60	2	Plastic Grip
F	43003	4	Lock Washer, 3/8"
G	43070	4	Washer, 3/8"
H	44742	4	Plug

STEP 2: (SEE FIGURE 3)

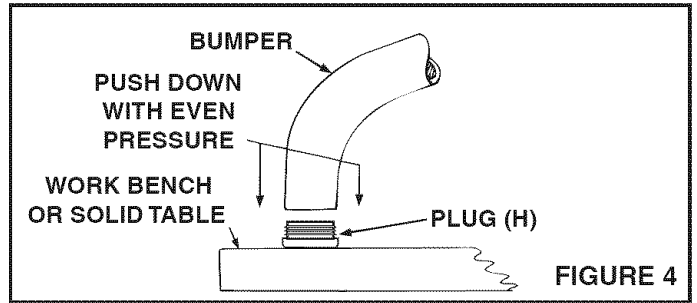
- Remove tractor hood. (Refer to tractor manual.) Place hood on cardboard or on a mat to protect paint.
- If you have an (LT) Lawn Tractor with a heat shield like the one shown, remove the heat shield.

IMPORTANT: Be sure to re-attach the heat shield after bumper is installed.



STEP 3: (SEE FIGURE 4)

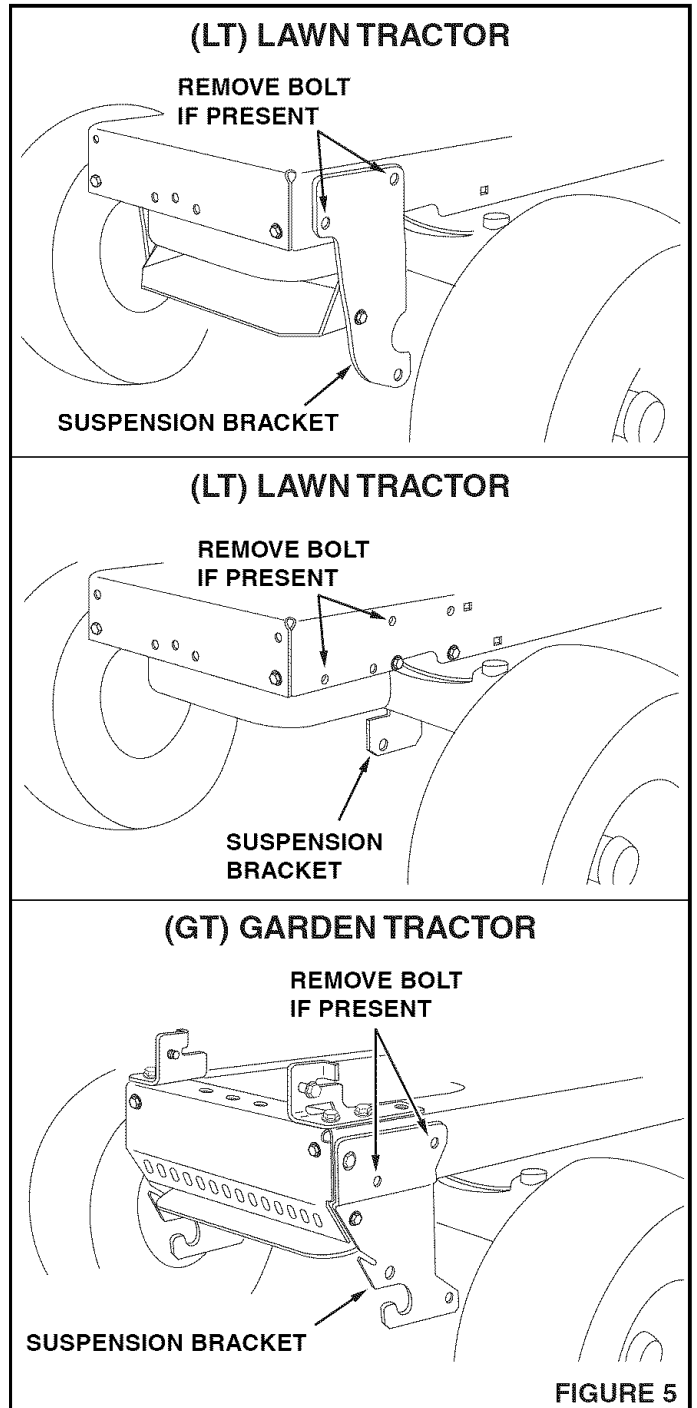
- Place plug (H) on a work bench or solid table and push end of bumper down onto plug. Repeat for all four plugs.



STEP 4: (SEE FIGURE 5)

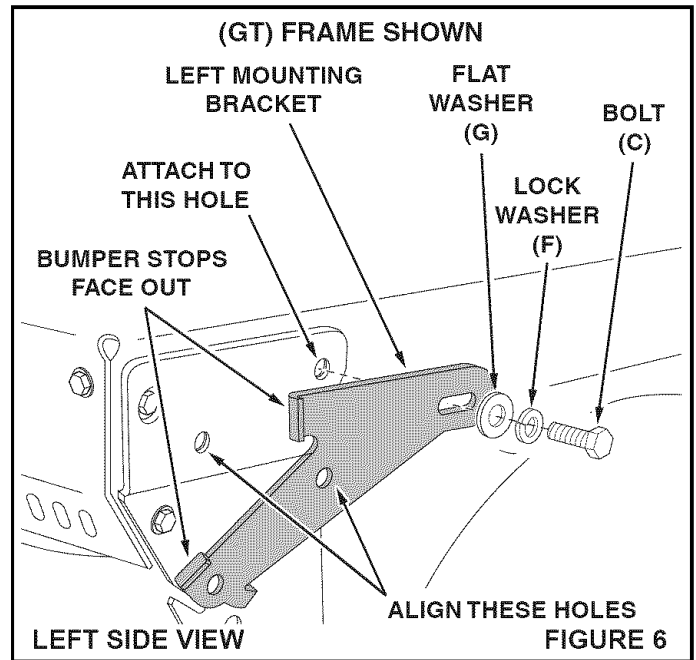
IMPORTANT: Do not remove any bolts from the tractor frame while the mower deck is raised. Misalignment of holes in frame could result.

- Lower mower deck to rest on ground.
- Remove bolts from mounting holes on both sides of tractor frame. Use a mounting bracket to help identify holes.



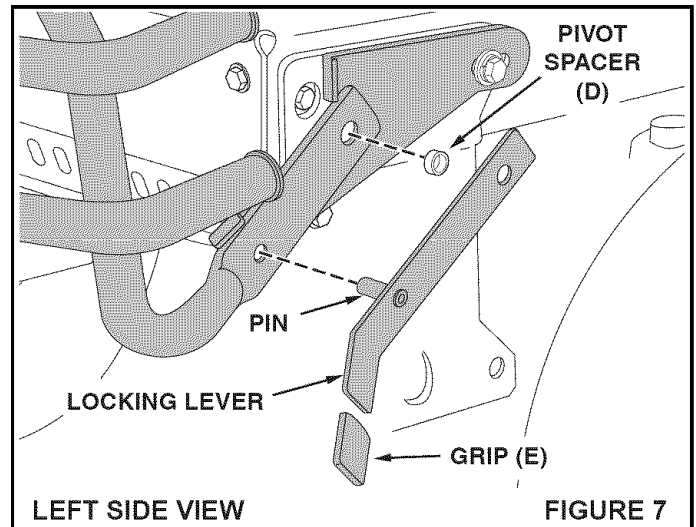
STEP 5: (SEE FIGURE 6)

- Attach left mounting bracket to hole shown in left side of tractor frame using bolt (C), lock washer (F) and flat washer (G). Align middle hole in bracket with empty hole in tractor frame and tighten bolt (C) to hold bracket in place. Repeat for right mounting bracket.



STEP 6: (SEE FIGURES 7 & 8)

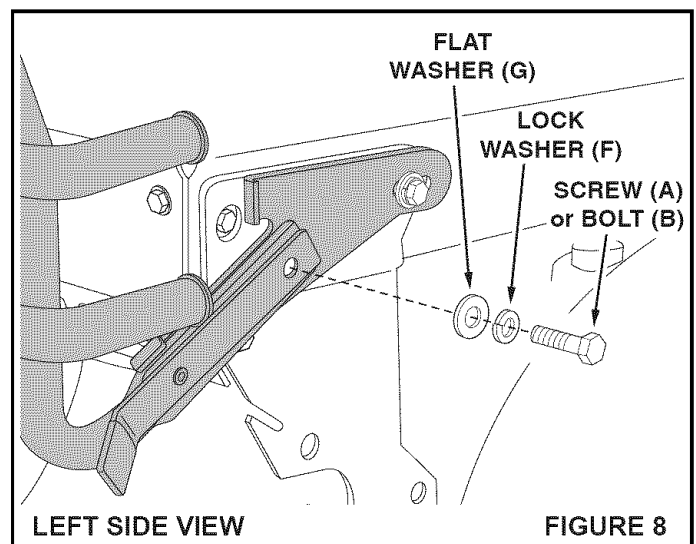
- Assemble plastic grips (E) onto locking levers.
- To attach bumper to tractor:
 1. Place flattened ends of bumper onto mounting brackets. Insert pin of locking lever through front hole in bumper and into front hole in mounting bracket to support bumper on mounting bracket.
 2. Insert pivot spacers (D) into rear holes in bumper.



3. Fasten locking lever and bumper to mounting bracket using a screw (A) or bolt (B), a lock washer (F) and a flat washer (G). Use screw (A) for LT tractors and bolt (B) for GT tractors. Assemble screw or bolt through pivot spacer in rear hole in bumper and into tractor frame. **Tighten.** Repeat for other side.

NOTE: If hole in (LT) tractor frame is not threaded, push in while turning screw (A) to create threads in hole.

IMPORTANT: You must lower bumper before raising tractor hood. Pull out on locking levers and push bumper down as far as it will go.



Get it fixed, at your home or ours!

Your Home

For repair – **in your home** – of **all** major brand appliances, lawn and garden equipment, or heating and cooling systems, **no matter who made it, no matter who sold it!**

For the replacement parts, accessories and owner's manuals that you need to do-it-yourself.

For Sears professional installation of home appliances and items like garage door openers and water heaters.

1-800-4-MY-HOME® (1-800-469-4663)

Call anytime, day or night (U.S.A. and Canada)

www.sears.com www.sears.ca

For expert home solutions advice: www.managemyhome.com

Our Home

For repair of carry-in items like vacuums, lawn equipment, and electronics, call or go on-line for the location of your nearest

Sears Parts & Repair Service Center

1-800-488-1222 (U.S.A.) 1-800-469-4663 (Canada)

Call anytime, day or night

www.sears.com www.sears.ca

To purchase a protection agreement on a product serviced by Sears:

1-800-827-6655 (U.S.A.)

1-800-361-6665 (Canada)

Para pedir servicio de reparación a domicilio, y para ordenar piezas:

1-888-SU-HOGAR®

(1-888-784-6427)

Au Canada pour service en français:

1-800-LE-FOYER^{MC}

(1-800-533-6937)

www.sears.ca

The Sears logo is displayed in a large, bold, black serif font. A thin, curved line is positioned below the letters 'e' and 'a'.