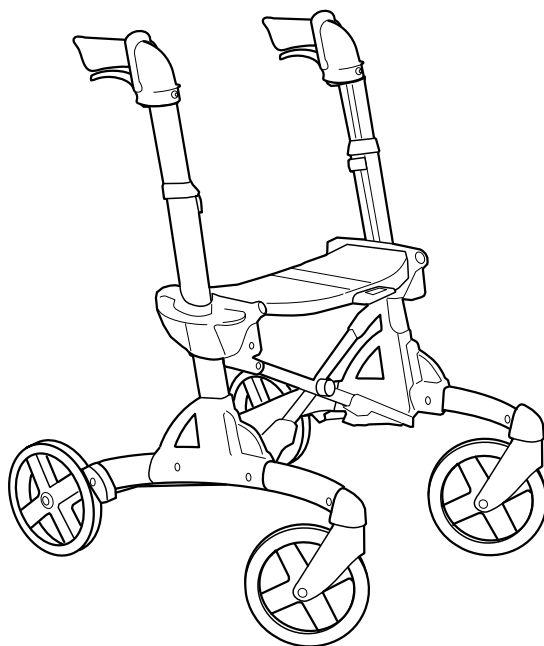


*Important, read before use!*

# User manual



**VOLARIS**

**Volaris S7 SMART**

Shadow Line/Discovery/Patrol  
Low/Wide

# Congratulations on your new rollator! VOLARIS

The Volaris S7 SMART has many ways of helping to make your days easier. We ask you to read carefully through this user information in order to familiarise yourself with your new rollator. The correct use and care will increase the benefit gained from it, its safety in use and its service life. S7 SMART provides good support when moving around and should only be used as a walking aid.

The seat is guaranteed to hold a weight of up to 150 kg (330 lbs). The outside dimensions of S7 SMART, folded and unfolded, are given below. There are several accessories available to improve both your safety and comfort.



S7 SMART*	7,5 kg	59 cm	74 cm	76-102 cm	46-60 cm	cc 47 cm	200x32 mm	27 cm
S7 SMART Shadow Line*	7,5 kg	59 cm	74 cm	76-102 cm	46-60 cm	cc 47 cm	200x32 mm	27 cm
S7 SMART Discovery*	8,0 kg	60 cm	74 cm	76-102 cm	46-60 cm	cc 47 cm	200x42 mm	28 cm
S7 SMART Patrol**	8,8 kg	59 cm	83 cm	82-107 cm	51-65 cm	cc 47 cm	260x34 mm	27 cm

\*S7 SMART  
Low - 0,4 kg 68-83 cm 46-50 cm

\*\*S7 SMART  
Patrol Low - 0,4 kg 74-88 cm 51-55 cm

\*, \*\*Wide + 0,5 kg + 6 cm cc 53 cm

# Contents

Sizes and dimensions - S7 SMART .....	2
Contents .....	3
Seat adjustment.....	4
Handle adjustment.....	4
Unfolding S7 SMART .....	5
Folding S7 SMART.....	5
Fixed transportation band .....	5
Braking .....	6
Brake adjustment .....	7
Usage tips - "comfort frame" .....	8
Learn the "scissors technique" .....	9
Maintenance .....	10
Cleaning .....	10
Profile clips.....	10
Cable lubrication.....	11
Fault tracing.....	11
Safety accessories.....	12
Safety accessories.....	13
Comfort accessories .....	13
Comfort accessories .....	14
Guarantee.....	15
Made in Sweden .....	15
Contacts .....	16

## Seat height adjustment

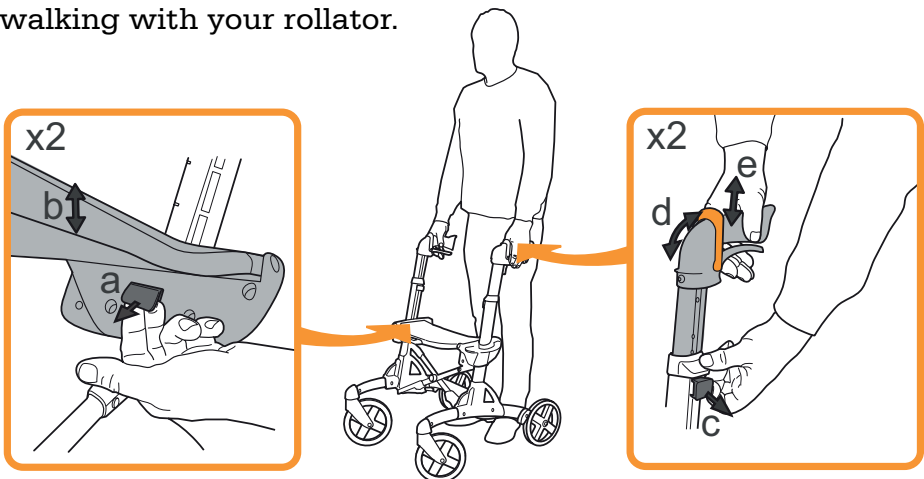
Adjust one side at a time.

Pull out the knob under the seat (a). At the same time, raise or lower the seat to the position required. Release the knob ensuring that it locks into place properly to secure the seat in place. Do the same with the other side. Ensure that the seat is level before using the rollator. Press down the centre section of the seat (b).

## Handle height adjustment

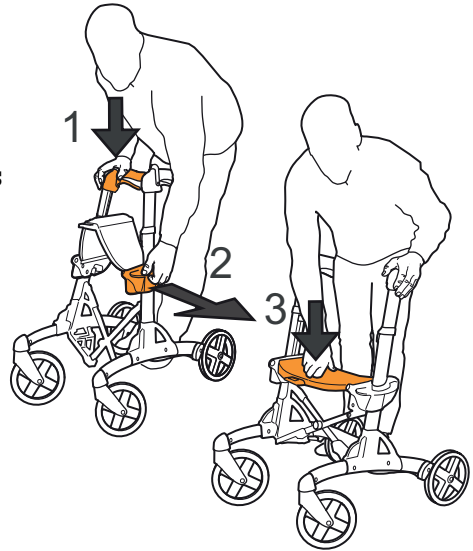
Adjust the height of the handles by pulling out the knob (c) and adjusting the height; see the setting heights on page 2.

Make sure the parking brake handles are folded up (d), then adjust the height and check that the knob (c) clicks back into place. After adjustment, check that the brakes are working (e) before using the rollator! Stand upright next to your S7 SMART. The handles are set at the correct height when your hands are level with them. When you have used your rollator for a while, you will feel whether or not you need to reset them. You should feel comfortable when you are walking with your rollator.



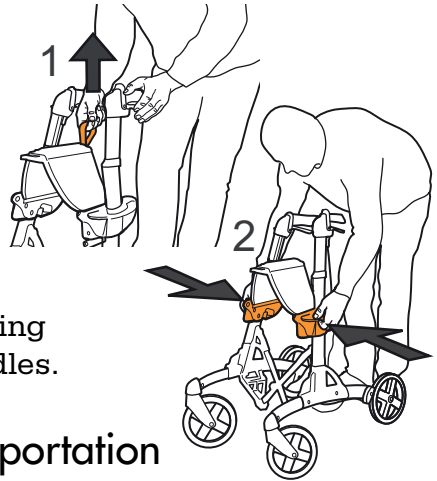
# Unfolding S7 SMART

1. Hold one of the main handles and tilt the S7 SMART to that side slightly so that the wheels on the opposite side are just off the ground.
2. Unfold the rollator using the grey handle on the opposite side. Spring loading makes this operation easy.
3. Press down the centre section of the seat to lock the rollator in unfolded position.



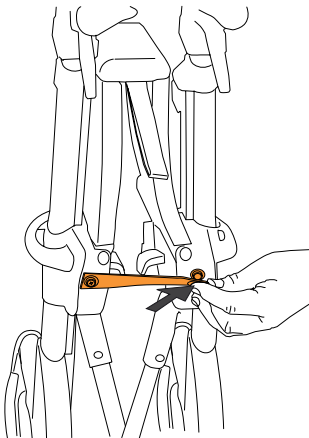
# Folding S7 SMART

1. If there is a basket fitted, remove it.
2. Raise the seat centre section using the loop band.
3. Press the rollator together using the side handles.



## Fixed transportation band

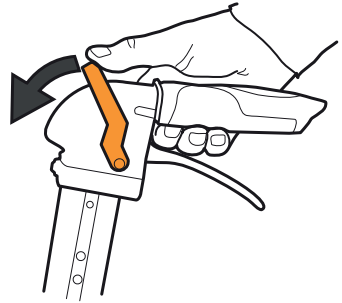
If the rollator has a fixed transportation band, attach it with the button after folding (see the points above). Release the button when you want to unfold the rollator.



# Safe braking with S7 SMART

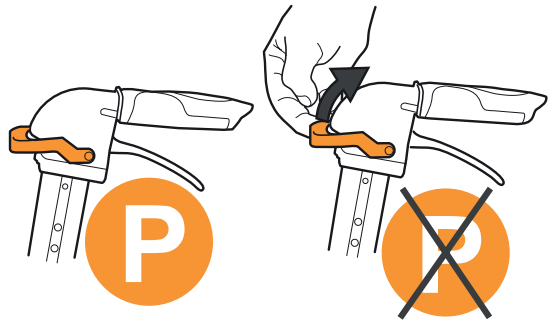
## Parking brake

The parking brake is applied by pushing the brake lever forwards until it locks into place with a click.



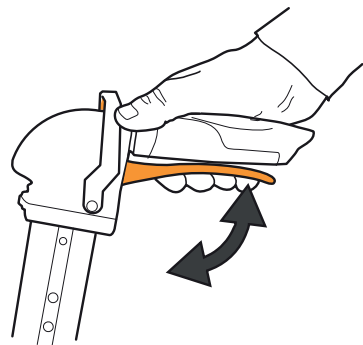
The parking brake must be released when the brake or the handle height are being adjusted.

The parking brake is released by moving the lever to an upright position until a click is heard.



## Braking when moving

The brakes are applied by pulling up the lever under each handle.

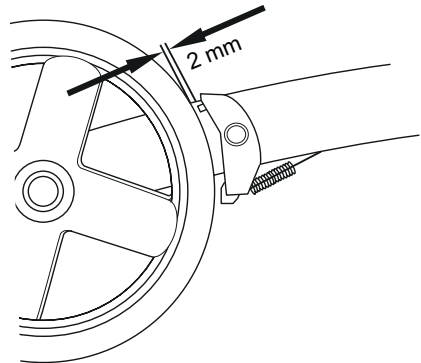
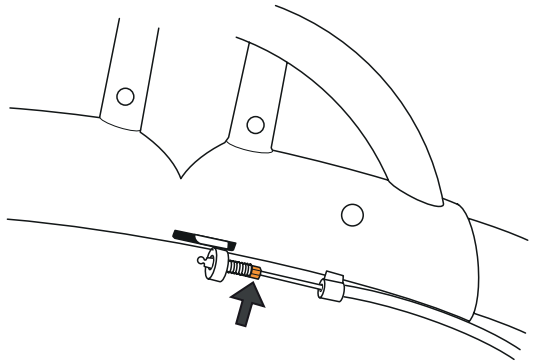


# Adjust the brakes on S7 SMART for correct functionality

The braking effect can be set using the cable adjusters on the underneath of the frame.

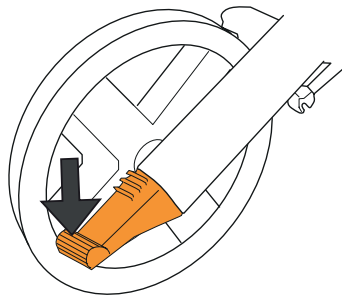
1. Release the parking brake by moving the lever upright.
2. Turn the threaded adjuster shown in the drawing. You can turn it with your fingers or with a small adjustable spanner.
3. Screw the adjustment screw outwards to increase the braking effect. Screw the adjustment screw inwards to decrease the braking effect.
4. Check the distances between the brake shoes and the wheels. The distance should be about 2 mm.

If you set the shoes too close, the parking brakes will be unnecessarily hard to apply.



## Usage tips - "comfort frame"

S7 SMART has a Comfort Frame™, which means that it passes smoothly over uneven surfaces. When you need to get over a larger obstruction or up onto a pavement, it may be beneficial to use the tilting peddle by the rear wheels. Press down one of the peddles at the same time as lifting the handles.

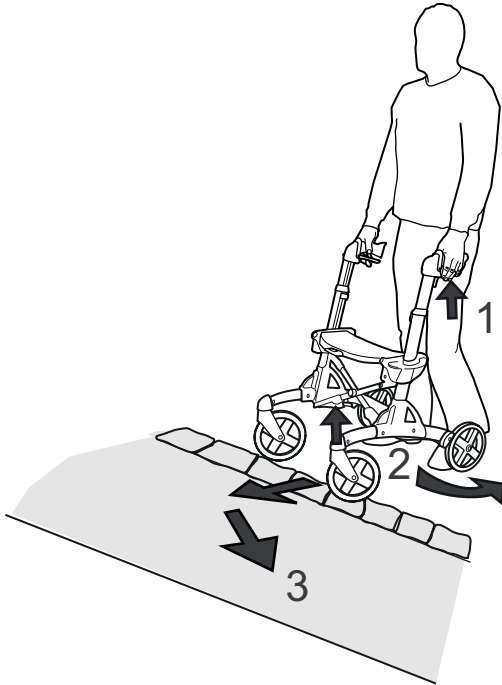


When avoiding an obstruction, do not try to lift the rollator by the seat since this could cause it to fold!



# Learn the "scissors technique"

Place the rollator at an angle to the obstruction. Brake the side closest to the obstruction. Tilt the rollator back to raise the front wheels and swing them over the obstruction. It is quickly done, once you learn how!



For your safety!  
Apply the parking brake before sitting  
on your S7 SMART!



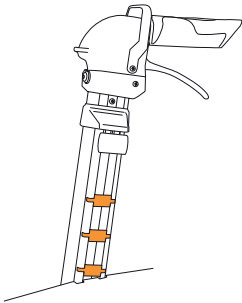
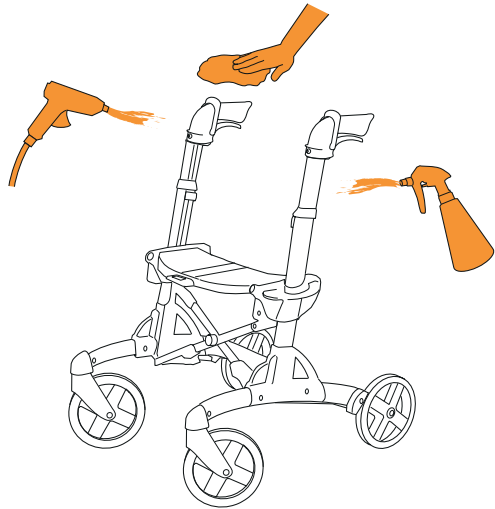
Never walk with somebody sitting on  
the seat!

# Maintenance

Your S7 SMART will be more beneficial to you and last longer if you care for it well.

## Cleaning

Wash it with a wet cloth and a mild cleaning liquid. Ensure that the gaps between the wheels and the brake shoes are free of dirt; dirt here can reduce the braking effect! You can rinse off your S7 SMART using a high-pressure cleaner or garden hose, as long as it is done from above. Dry it off afterwards.

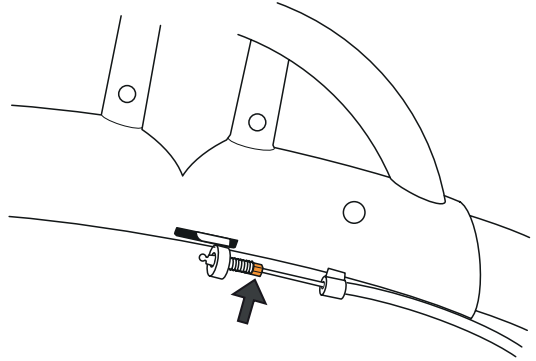


## Profile clips

Profile clips are used to prevent anything getting caught. They can be beneficial if the seat is set low, and come included with the rollator.

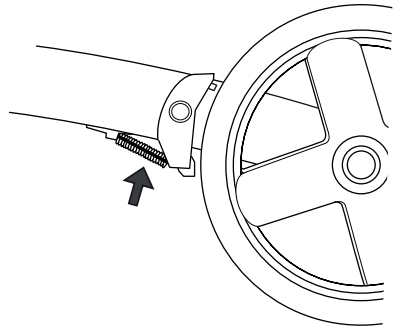
## Cable lubrication

1. After washing the rollator, lubricate the cables underneath the frame. Pull up each brake lever and apply a few drops of oil to the cables.
2. Lubricate the cables in the springs on the rear wheels also.



## Fault tracing

If, when you are walking with S7 SMART, it pulls to one side, check that the wheels rotate equally easily and that the forks swing easily. Check that the wheels and the forks are properly secured. Check that no dirt or debris is caught between a wheel and its brake shoe.

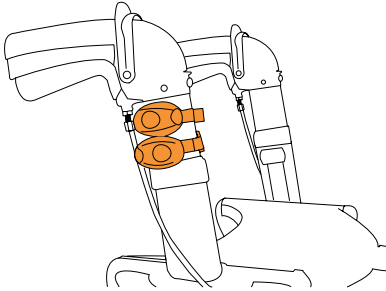
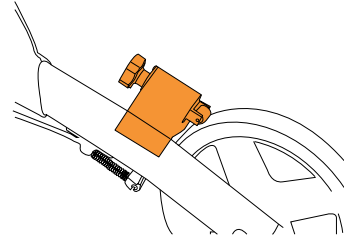


If a brake doesn't work or the brakes work unevenly, check that the adjustment knobs, after adjusting the height of the handles, have clicked back into place, see page 4. Make sure the brake cables are secure in the brake arms under the frame. Check that the brake arm springs on the rear wheels are whole. When braking, check that the brake shoes are applied to the wheels with equal force. Cable adjustment. (See page 7).

# Safety accessories

## Restriction brake

A brake with adjustable, continuous effect. Can be fitted at any time.

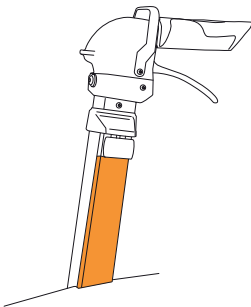
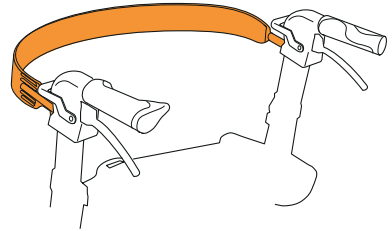


## Lighting

Attached to the upright using Velcro. Red is used for the rear, white is used for the front. Battery run. Easy to remove and to replace batteries.

## Back support band

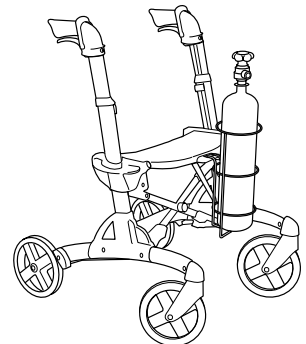
Stable support for your back; can help make you feel more secure. Attached with two bolts to an existing fitting.



## Profile list

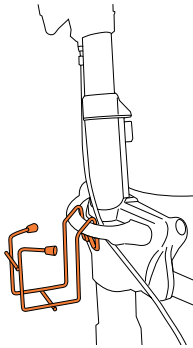
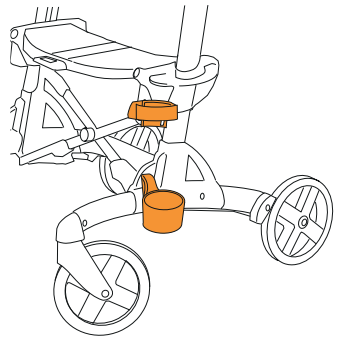
Easy to cut to the required length; for use when the seat is set low.

Oxygen bottle holder. Strong steel basket that hooks onto the seat and is secured by an additional fitting. Easily removed.



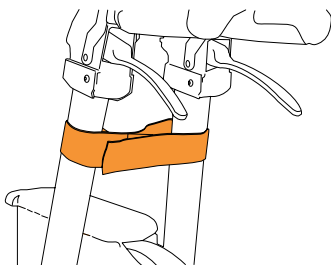
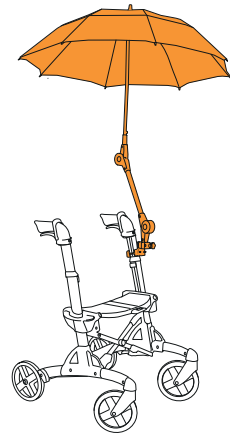
## Comfort accessories

**Walking stick/umbrella holder**  
In two parts that are attached as shown. Keeps your walking stick, crutches or umbrella in place.



**Bottle holder**  
Holder in plastic covered wire for a bottle/can. Holds a 0.5 litre bottle or 33 cl can. Hangs on the side handle.

**Umbrella/parasol**  
Umbrella/parasol including universal holder for all Volaris models.

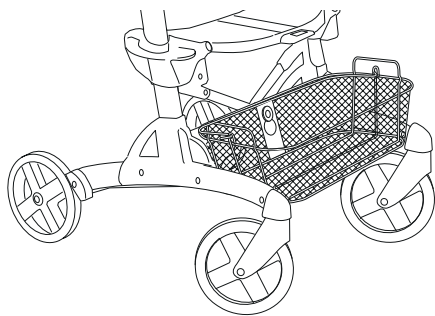
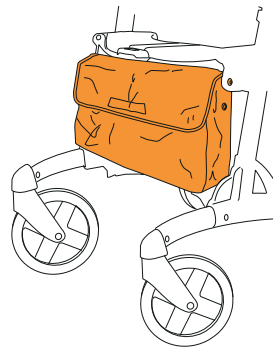


**Transportation band**  
Place the band around the handles to prevent the rollator unfolding. Easily attached.

## Comfort accessories

### Bag

A soft, woven nylon bag, which can be left in place when the rollator is folded. Easily removed. Washable. Maximum load: 5 kg.

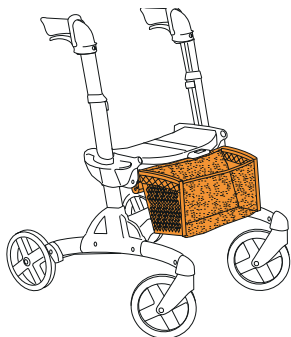
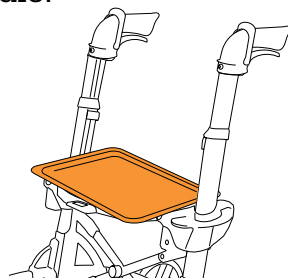


### Net basket

A stable, metal net basket. Easily hooked onto S7 SMART. Carrying handle. Maximum load: 5 kg.

### Tray

Grey coloured tray that fits onto the seat.

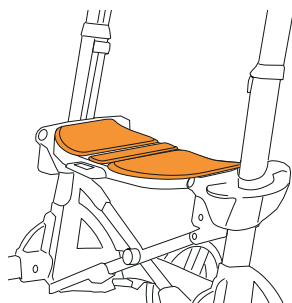


### Fabric basket

Basket with plastic ends and nylon net; clean with warm water and washing-up liquid. Can be attached to all Volaris S7 models. Can be left in place when the rollator is folded. Easily removed. Maximum load: 5 kg.

### Seat padding

Three sections that make the seat softer and warmer. Can be left in place when the rollator is folded.



## Guarantee

Your Volaris S7 SMART has a two-year guarantee. The guarantee does not cover wearing parts such as handles, cables and wheels. It is also not valid if the rollator is subjected to abnormal use or is especially adapted without our participation.

## Made in Sweden

S7 SMART is developed and manufactured in Sweden - which ensures our control of functionality and quality - using carefully selected materials and component parts. S7 SMART is 95 % recyclable.

S7 SMART complies with all the standards set by the market: SS-EN 1441, SS-EN 1985, SS-EN 12182 and ISO 11199-2:2005.

## CE-marking

S7 SMART is CE-marked.



# Eurovema

Creates mobility and ergonomics.



## Eurovema AB

Baldersvägen 38, SE-332 35 Gislaved, Sweden

Phone. +46 371 390 100 | Fax. +46 371 189 82

info@eurovema.se | www.eurovema.se