

LATA

Ventless Ethanol Fireplace



User's Manual
Installation Instructions

 **IGNIS**[®]
P R O D U C T S

What's in the box:

Fireplace Body	1pc
EB1200 Burner	2pcs
Mounting Bracket	1pc
Wall Plugs & Screws	4pcs
Control Tool	1pc
Tempered Glass (if equipped)	1pc
User's Manual	1pc

Installation Instructions

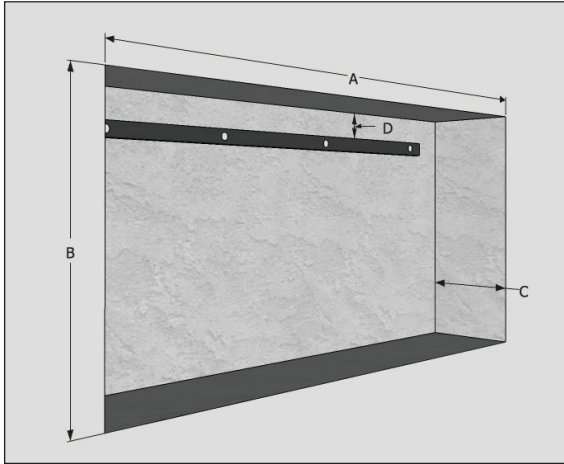
The fireplace must only be installed on a solid wall of non combustible material.

The Lata Fireplace can be installed directly on the wall simply by mounting the bracket and hanging the fireplace on it. For recess insatallation please follow instructions below.

1. Unpack the fireplace and check for damage incurred in transit and missing parts make sure to remove the mounting bracket prior to discarding the box.
2. Cut the opening in the wall according to sizes on **Diagram 1**. Your finished opening should be 4 inches wider and 2-1/2 inches higher then the back of the fireplace structure (including burners hanging from the bottom of the fireplace) - refer to **Diagram 2**. This allows for faster installation and the added space allots for air circulation and provides an escape for the hot air.
3. The depth of the finished opening should be no greater then 6-1/2 inches, but could be less.
4. Inside walls of the recess opening should be made of or lined with a fireproof material such as cement board, wonder board, steel sheet. Use metal studs for framing.
5. Install the bracket 4 inches below the top of the opening and evenly centered. You want to leave at least 1 inch above the insert to the top of the opening.
6. Insert fireplace into opening closer to the left side. Align bracket on the back of the fireplace to the top of the bracket mounted on the wall and slide to the right to lock in place.
7. Place the burners into the opening of the fireplace body.

Diagram 1

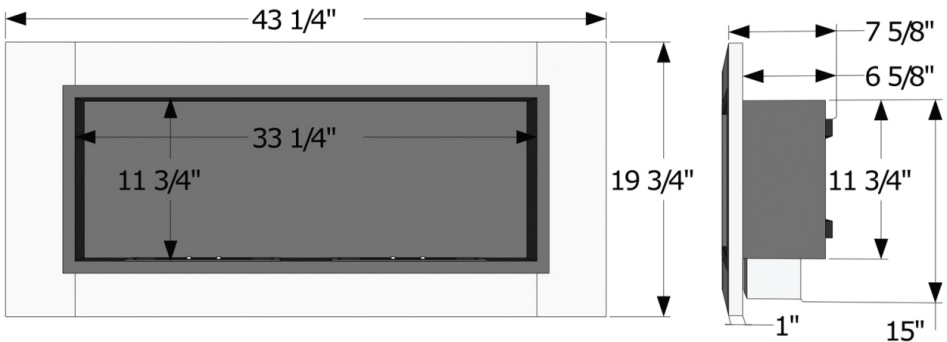
Recessed Opening Sized for Lata Fireplace



$$A = 37\text{-}3/4'' \quad B = 17\text{-}1/2'' \quad C = 6\text{-}1/2'' \quad D = 4\text{-}1/2''$$

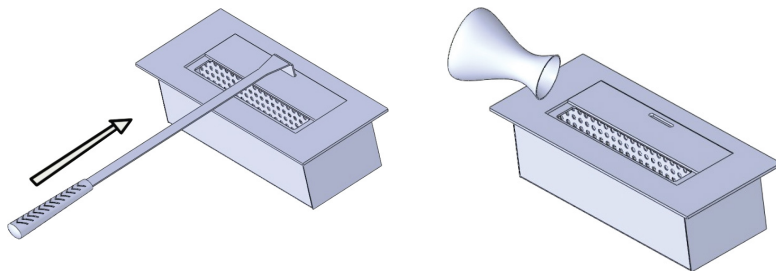
Diagram 2

Lata Fireplace Dimensions



Operation Instructions

Step 1: Adjust the sliding lid to its widest opening. Fill the burner with the ethanol, watch carefully until you reach under the level of the “Max” line. Do not overfill or spill.

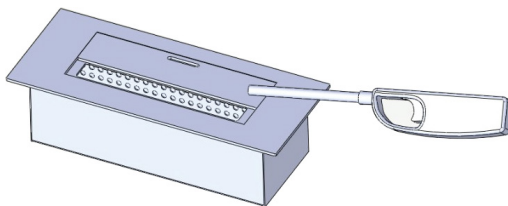


CAUTION: Please ensure your pebbles or logs are not covering the opening in case of accidental spillage.

Any spilled ethanol must be immediately removed with an absorbent tissue and cleaned with water to prevent ignition outside the burner reservoir.

Fuel must be kept in safe distance (min. 1 meter / 40 inches) from the fireplace. Do not place fuel in front of the fireplace.

Step 2: Use a long match or a long lighter to ignite. When igniting, keep a safe distance at arm's length. Do not stand directly over the burner.



CAUTION: Fuel will burn low at first. Please allow 10-15 minutes to reach the optimal temperature and flame height.

Opening or closing the sliding cover on the burner can adjust the flame.

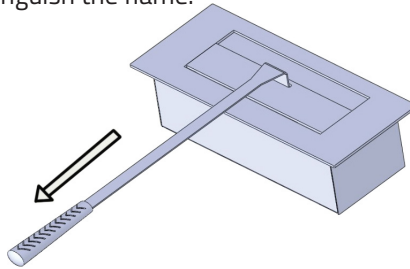
Avoid drafts for long burning time.

Always maintain a safe distance of at least 1 meter (40 inches) from the fireplace when the flame is lit.

Extinguishing

CAUTION: Never extinguish the flame with water!

1. Let the fuel burn out completely if possible. This prevents alcohol left in the burner and deflagration when reigniting.
2. If you wish to extinguish the fire before the fuel has completely burned out. Please use the control tool to fully close the sliding cover of the burner in a fast motion, completely extinguish the flame.

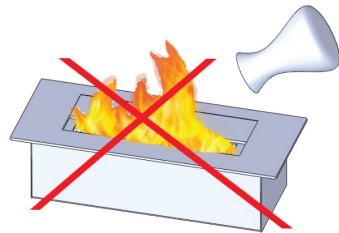


3. In case the flame is not extinguished immediately. Repeat the above instructions until the flame is fully extinguished.
4. Do not touch the fireplace while burning. Please allow at least 15 minutes to cool down before touching the fireplace after flame is extinguished.
5. It is urgently recommended that you keep a Class B fire extinguisher at hand close to the device in case of fire.

Refilling

Allow the burner to cool down for at least 20 minutes before refilling.

Warning: Never refill the burner when the fireplace is operating or still hot. Never pour fuel into a burning flame.



Cleaning

1. The burner surfaces must be cleaned regularly. Use warm water and soap.
2. Check the sliding cover of burner for warping or damage before using.
3. Marks can be best removed with a soft cloth and a mixture of lukewarm water and a small amount of cleaning liquid (ph-neutral). We recommend cleaning the stainless steel items regularly to prevent contamination.

CAUTION: Never use chemical, steel-wool or scrubbing sponges to clean the fireplace. These can scratch the surface.

The manufacturer cannot be held responsible for any damages resulting out of improper use and/ or cleaning of the products.

Safety Instructions

- When burning ethanol, water-vapor and carbon dioxide are produced.
- Never leave an open fire unattended at any time!
- In a house of typical construction, that is, one that is not of unusually tight construction due to heavy insulation and tight seals against air infiltration, an adequate supply of air for combustion and ventilation is provided through infiltration.
- The fireplace should not be used in a small room where less than 44m³ (1550ft³) of air space is provided for each 1000 Btu per hour of fireplace (considering the maximum burner adjustment).
- Do not use the fireplace in a bathroom, a room where sleeping accommodation is provided or any other small room.
- Never fill fuel while unit is still burning or hot.
- Fill no more than $\frac{3}{4}$ full.
- Use only long lighter to ignite. Initial ignition may have a high flame close lid half way to light.
- Insert burner into fireproof materials only.
- Never install burner into plastic or wood.
- Using a burner with flammable materials is at your own risk.
- Keep out of reach of children.
- This fireplace will produce heat, but should not be used as a main source of heat.
- The fireplace must only be installed on a solid surface of non-flammable material. Be sure to keep any flammable materials such as drapes/curtains and any decorations at least 4 feet away from fireplace.
- Do not place any items on top of or inside fireplace.
- Do not touch the fireplace while lit or still hot.
- It is extremely dangerous and forbidden to use bio-ethanol car fuel or any other unapproved fuel.
- Always use a funnel to fill the fireplace with fuel.
- Never add fuel to the burner while fire is burning or unit is still hot. Allow at least 20 minutes for fuel tray to cool down before refueling.
- Do not ingest bio-ethanol fuel and avoid contact with eyes and skin.
- Spilled alcohol must be removed with an absorbent tissue and cleaned with water to prevent ignition outside the burner reservoir.
- Be sure to have a fire-extinguishing device in the proximity of the fireplace in case of emergencies.

- Never leave a lit fireplace unattended.
- Keep children and pets away from the fireplace. Do not cover the fireplace.
- Do not place any flammable materials or clothing on the fireplace.
- Do not smoke when filling the burner with fuel.
- Store your fuel containers away from any heat source.
- Be sure to store and keep your fuel away and out of reach of children and pets.
- To adjust flame height, use extinguisher tool to open/close burner lid.
- Please use the extinguisher tool provided in the kit. Never blow out the flame in order to put it out; this will only increase the flame.
- If you wish to extinguish the flame before the fuel has completely burned out. Please use the extinguisher tool to fully close the burner lid, and wait until the flame is extinguished.
- It is forbidden to modify this fireplace in any way.

Fuel Information

- USE ONLY APPROVED BIO-ETHANOL LIQUID FUEL FOR FIREPLACES.
- Bio-Ethanol Liquid Fuel for fireplaces burns clean without emitting any toxins into the air. Only harmless water vapor and CO₂ are produced as byproducts.
- Choose a location 4 feet away from flammable objects or materials (drapes, fabrics, furniture, etc.).
- Be sure to remove all packing materials, cardboard, etc. except for white cloth-like material in burner.
- The fireplace is intended to be placed on a floor or sturdy surface.
- If you choose to leave fireplace outside, wait until fireplace and burner are cool and either cover the burner or bring the burner indoors to avoid water, leaves, and debris from getting into it.

Warnings

1. Fireplace and burner get hot while in operation. Do not touch the fireplace while burning. Please allow at least 20 minutes to cool down before touching the product after flame is extinguished.
2. Risk of burns. Do not operate the ethanol fireplace without completed assembly.
3. Never pour fuel into an open flame or into the burner reservoir unless it has cooled down for at least 20 minutes after use.
4. Do not place any flammable material within 1 meter/ 40 inches around the fireplace. A safety distance of at least 2 meters/80 inches should be kept from any window or curtain.
5. Do not burn under over hanging items.
6. Do not smoke while handling the fuel.
7. Avoid heavy airflow (fans high breeze...) in the room where the fireplace is operated.
8. Risk of Explosion
 - i. Never use any fuel other than Bio Ethanol that is specifically intended for use with indoor vent less ethanol fireplaces. Never use gasoline.
 - ii. Never use the appliance in areas where flammable vapors or gas may be present.
 - iii. Never store or transport the fuel in other than a metal or plastic container that is acceptable for use with the specified fuel in accordance with the Consumer Chemicals and Containers Regulations 2001 and is the original container for the specified fuel.
 - iv. Never store fuel in the living space or in the same location as the appliance.
2. Do not use the appliance to heat or boil water or use as a cooking appliance.
3. Due to high surface temperatures, keep children, clothing, and furniture away.
4. Risk of Indoor Air Pollution - Use ethanol fireplace only in well-ventilated areas and with doors of adjacent room open. Do not obstruct air flow to the burner by piling logs over the burner, but only around it and do not obstruct the burner in any other way or with any other material. People with breathing problems should consult a physician before using the ethanol fireplace.
5. THIS APPLIANCE HAS NOT BEEN TESTED WITH DOORS OR AN UNVENTED-GAS LOG SET. TO REDUCE RISK OF FIRE OR INJURY, DO NOT INSTALL DOORS OR AN UNVENTED GAS LOG SET INTO THIS APPLIANCE.

Warranty

1. Our fireplaces are guaranteed 3 year, parts and labor. Warranty begins on the date of purchase.
2. Warranty will be applied on presentation of a dated cash receipt and is strictly limited to factory service repair of the piece or pieces that are found to be defective.
3. Installations costs will not be reimbursed in any case as damages for any reason whatsoever.
4. Manufacturer will not be held responsible for any incidental or consequential defects, on goods or individuals.
5. The warranty will not be applied if devices have been subjected to abnormal use or if used under other conditions of use than the ones they were intended for.
6. The warranty will not apply in case of deterioration or accident due to negligence, damages caused by failing to maintain and service the device or resulting from an alteration of material.

Warranty Claim

You can use any of the following options to file a claim:

1. Fill out all the fields on the previous page and mail it to the following address:
Ignis Products - Warranty Department
498 Columbia Street
Brooklyn, NY 11231
2. Fill out all the fields on the form below, scan it and email it to:
warranty@ignisproducts.com
3. Submit claim form online at:
www.ignisproducts.com/warranty-and-returns

Warranty Claim Form

*Please fill out all the fields

Name _____

Address: _____

Purchased from: _____ Order Number: _____

Model Name / Number: _____ Date of Purchase: _____

Description of Your Claim: _____

Contact Us

If you have any questions please don't hesitate to contact us

phone: 1-855-MY-IGNIS
1-855-694-4647

email:	general questions:	info@ignisproducts.com
	technical support:	support@ignisproducts.com
	warranty questions:	warranty@ignisproducts.com
	return questions:	returns@ignisproducts.com

address: Ignis Development, Inc.
498 Columbia Street
Brooklyn, NY 11231



498 Columbia Street
Brooklyn, NY 11231

1-855-MY-IGNIS
1-855-694-4647

info@ignisproducts.com

www.ignisproducts.com