

J E T[®]

WMH | TOOL GROUP

Operating Instructions and Parts Manual Long Chassis Service Jacks

Models JSJ-3T/JSJ-5T/JSJ-10T



WMH TOOL GROUP

2420 Vantage Drive
Elgin, Illinois 60123
Ph.: 800-274-6848
www.wmhtoolgroup.com

Part No. M-454430
Revision A 8/05
Copyright © WMH Tool Group

This manual has been prepared for the owner and operators of a JET Model JSJ Service Jack. Its purpose, aside from machine operation, is to promote safety using accepted operating and maintenance procedures. To obtain maximum life and efficiency from your jack and to aid in using it safely, please read this manual thoroughly and follow the instructions carefully.

Warranty and Service

WMH Tool Group warrants every product it sells. If one of our tools needs service or repair, one of our Authorized Service Center located throughout the United States can provide quick service or information.

In most cases, a WMH Tool Group Service Center can assist in authorizing repair work, obtaining parts, or perform routine or major maintenance repair on your JET product.

For the name of an Authorized Service Center in your area, please call 1-800-274-6848, or visit our web site at www.wmhtoolgroup.com

More Information

Remember, WMH Tool Group is consistently adding new products to the line. For complete, up-to-date product information, check with your local WMH Tool Group distributor, or visit our web site at www.wmhtoolgroup.com

WMH Tool Group Warranty

WMH Tool Group makes every effort to assure that its products meet high quality and durability standards and warrants to the original retail consumer/purchaser of our products that each product be free from defects in materials and workmanship as follows: 1 YEAR LIMITED WARRANTY ON ALL PRODUCTS UNLESS SPECIFIED OTHERWISE. This Warranty does not apply to defects due directly or indirectly to misuse, abuse, negligence or accidents, normal wear-and-tear, repair or alterations outside our facilities, or to a lack of maintenance.

WMH TOOL GROUP LIMITS ALL IMPLIED WARRANTIES TO THE PERIOD SPECIFIED ABOVE, BEGINNING FROM THE DATE THE PRODUCT WAS PURCHASED AT RETAIL. EXCEPT AS STATED HEREIN, ANY IMPLIED WARRANTIES OR MERCHANTABILITY AND FITNESS ARE EXCLUDED. SOME STATES DO NOT ALLOW LIMITATIONS ON HOW LONG THE IMPLIED WARRANTY LASTS, SO THE ABOVE LIMITATION MAY NOT APPLY TO YOU. IN NO EVENT SHALL WMH TOOL GROUP BE LIABLE FOR DEATH, INJURIES TO PERSONS OR PROPERTY, OR FOR INCIDENTAL, CONTINGENT, SPECIAL, OR CONSEQUENTIAL DAMAGES ARISING FROM THE USE OF OUR PRODUCTS. SOME STATES DO NOT ALLOW THE EXCLUSION OR LIMITATION OF INCIDENTAL OR CONSEQUENTIAL DAMAGES, SO THE ABOVE LIMITATION OR EXCLUSION MAY NOT APPLY TO YOU.

To take advantage of this warranty, the product or part must be returned for examination, postage prepaid, to an Authorized Service Center designated by our office. Proof of purchase date and an explanation of the complaint must accompany the merchandise. If our inspection discloses a defect, we will either repair or replace the product at our discretion, or refund the purchase price if we cannot readily and quickly provide a repair or replacement. We will return the repaired product or replacement at WMH Tool Group's expense, but if it is determined there is no defect, or that the defect resulted from causes not within the scope of WMH Tool Group's warranty, then the user must bear the cost of storing and returning the product. This warranty gives you specific legal rights; you may also have other rights, which vary from state to state.

WMH Tool Group sells through distributors only. Members of the WMH Tool Group reserve the right to effect at any time, without prior notice, alterations to parts, fittings and accessory equipment, which they may deem necessary for any reason whatsoever.

Table of Contents

Warranty and Service	2
Table of Contents	3
Warning.....	3
Introduction.....	4
Description	4
Specifications	4
Unpacking	5
Assembly.....	5
Before Operation	5
Operation.....	5
Maintenance.....	5
Replacement Parts	6
JSJ-3T, JSJ-5T, JSJ-10T Service Jacks	7
Parts List: JSJ-3T Service Jack	8
Parts List: JSJ-5T Service Jack	10
Parts List: JSJ-10T Service Jack	12



Warnings

1. Read and understand the entire owner's manual before attempting assembly or operation.
2. This jack is designed for lifting vehicles only.
3. The vehicle owner's manual should be consulted prior to lifting the vehicle. Lift only on areas of the vehicle specified by the vehicle manufacturer.
4. The jack must be on level and solid ground with wheels of vehicle facing straight ahead.
5. Do not overload the jack. Overloading can cause damage to or failure of the jack.
6. No one should remain in a vehicle that is being lifted.
7. When lifting the vehicle, be sure to place the axle on the center of the jack saddle.
8. After lifting the vehicle, place safety stands under the axles.
9. Never get under a vehicle that is supported only by a jack.
10. Never move the jack while it is supporting the vehicle.
11. When lowering the vehicle, make sure nobody is around or under the lifted vehicle. Lower slowly.
12. Safety valve is factory adjusted and no further adjustment is required.
13. While not in use, always keep the handle straight up and locked so that it won't fall.
14. Read and understand the warnings posted on the jack and in this manual. Failure to comply with all of these warnings may result in loss of load, damage to jack and/or personal injury or property damage.
15. Replace the warning labels if they become obscured or removed.
16. Use only factory replacement parts when part replacement is necessary.

- - SAVE THESE INSTRUCTIONS - -

Introduction

This manual is provided by WMH Tool Group covering the safe operation and maintenance procedures for a JET Model JSJ Service Jack. This manual contains instructions on assembly, safety precautions, general operating procedures, maintenance instructions and parts breakdown. This jack has been designed and constructed to provide years of trouble free operation if used in accordance with instructions set forth in this manual. If there are any questions or comments, please contact either your local supplier or WMH Tool Group. WMH Tool Group can also be reached at our web site: www.wmhtoolgroup.com.

Description

The Model JSJ Service Jack is for heavy-duty automotive and truck repair and maintenance. It's equipped with strong steel side plates, an extra wide swivel saddle, foot pump and locking T-bar handle. Hydraulic cylinder parts have been high-pressure tested at the factory, and parts at maximum stress points have been heat-treated. Also features a safety overload bypass system.

Specifications

Model Number	JSJ-3T	JSJ-5T	JSJ-10T
Stock Number	454430	454450	454410
Capacity (ton)	3	5	10
Minimum Height (in.)	5.1	5.91	6.30
Maximum Height (in.)	23.62	22.05	22.05
Overall Length (in.)	51.6	55-1/2	60-7/8
Overall Width (in.)	12.8	14-5/16	19-1/2
Handle Length (in.)	45.28	45.28	45.28
Net Weight (lbs.)	155	210	320

The above specifications were current at the time this manual was published, but because of our policy of continuous improvement, WMH Tool Group reserves the right to change specifications at any time and without prior notice, without incurring obligations.

Unpacking

Open shipping container and check for shipping damage. Report any damage immediately to your distributor and shipping agent. Do not discard any shipping material until the Service Jack is assembled and running properly.

Assembly

The numbers in parentheses refer to the item numbers on the parts breakdown, page 7.

1. Insert the handle (38) as far as it will go into the handle socket (26).
2. Tighten the hex cap screw (30) securely.

When transporting the jack, the handle can be removed and carried separately.

Before Operation

Before operating the jack, any air in the hydraulic system must be removed. Proceed as follows:

1. Open the release valve by turning the release valve knob (39) counter-clockwise. Pump the foot pedal (27) about six full strokes to let the air out of the hydraulic system.
2. Close the release valve by turning the release valve knob (39) clockwise as far as it will go.
3. Pump the foot pedal (27) to raise the jack as far up as it will go. Lower the jack by opening the release valve (39).

NOTE: If the jack does not immediately respond to the pump action, repeat steps 1 through 3.

Operation

▲WARNING Do not use a saddle extender with this jack. Failure to comply may cause damage to property and/or serious injury.

1. To *raise* the vehicle, make sure the release valve knob (39) is closed – turn it clockwise until resistance is felt; do not overtighten.

2. Carefully position the jack under the vehicle with the saddle under the point of contact.
3. Pull the lock lever (31) up and push it over to the left until it slides into the upper slot.
4. Pump the handle (38), or use the foot pedal (27) to raise the vehicle.
5. To *lower* the vehicle, slowly and carefully rotate the release valve knob (39) counterclockwise. Speed of descent is controlled by how much the knob is rotated.

▲WARNING Make sure all tools and personnel are clear before lowering the load. Lower slowly.

Maintenance

Lubricate the pin and other moving elements on the Lifting Arm with #2 tube grease.

Lubricate the pin and other moving parts of the Handle Assembly. Tighten any loose screws.

Insert grease into the grease fitting on the Front Wheels.

With saddle completely lowered and handle in its lowest position, remove oil plug and check oil level. If low, fill with hydraulic jack oil until oil is level with the inner cylinder as seen from the opening of the filler hole.

NOTE: Completely drain and re-fill the oil tank at least once a year. With saddle completely lowered and handle in lowest position, remove the oil plug. Lay the jack on its side and drain fluid into an appropriate container. Re-fill with good quality hydraulic jack oil and replace oil plug. Never use brake fluid or any other highly viscous or volatile oil.

Always store jack in the fully lowered position with handle upright.

Troubleshooting

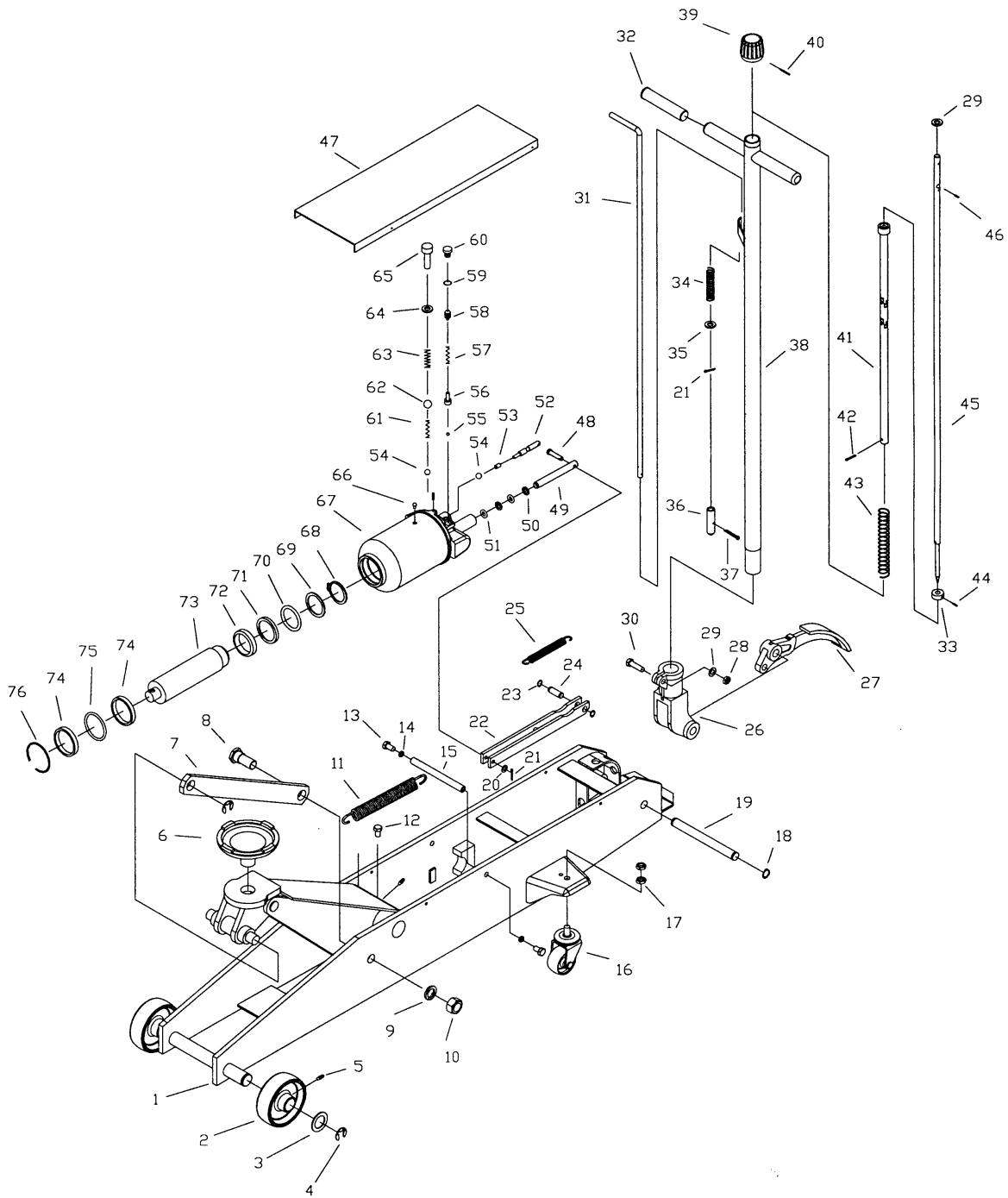
Numbers in parentheses refer to the item numbers on the parts breakdown, page 7.

Trouble	Probable Cause	Remedy
Jack will not lift.	Release valve not properly closed.	Tighten release valve knob (39).
	No oil in system.	Fill to prescribed level.
	Jack is overloaded.	Remedy overload condition. Use jack with proper capacity for the load.
	Release Valve (52-54) or Safety Valve (55-60) malfunctioning. Valve Ball not properly seated.	Clean valves to remove dirt or foreign matter and replace oil.
	Seal/gasket worn out or defective.	Replace seal/gasket.
Jack will only lift part way.	Oil level low or too high.	Fill to proper level, or remove excess oil.
Jack will lift load, but will not hold.	Release Valve (52-54) or Safety Valve (55-60) malfunctioning. Valve Ball not properly seated.	Inspect valves; clean and adjust seat surface.
	Seal/gasket worn out or defective.	Replace seal/gasket.
Jack will not lower after unloading.	Release valve (52-54) not opening.	Clean and adjust Release Valve.
	Reservoir is overfilled.	Drain oil to proper level.
	Linkages binding.	Clean and lubricate moving parts.
Poor lift performance.	Pump gasket (50) defective or Valves malfunctioning.	Replace gasket and/or clean valves.
	Oil level low, or dirty oil.	Fill or replace oil.
	Air trapped in system.	Bleed air from system.
Jack will not lower completely.	Pump plunger (49) bent or marred.	Replace pump plunger.
	Jack Spring damaged.	Replace spring.
	Link section warped or deformed due to possible over-loading.	Replace warped parts.

Replacement Parts

Replacement parts are listed on the following pages. To order parts or reach our service department, call 1-800-274-6848 between 7:30 a.m. and 6:00 p.m. (CST), Monday through Friday. Having the Model Number and Serial Number of your machine available when you call will allow us to serve you quickly and accurately.

JSJ-3T, JSJ-5T, JSJ-10T Service Jacks



Parts List: JSJ-3T Service Jack

Index No.	Part No.	Description	Size	Qty
1	JSJ3M-18	Frame and Lift Arm Assembly		1
2	JSJ3T-2	Front Wheel		2
3	JSJ3M-16	Flat Washer	Ø 22.5 x 2mm	2
4	JSJ3M-15	Snap Ring	Ø 15mm	2
5	JSJ3T-5	Grease Fitting		4
6	JSJ3T-6	Saddle		1
7	JSJ3M-12	Link Rod		2
8	JSJ3M-11	Link Rod Bolt		2
9	JSJ3M-8	Lock Washer	M16	2
10	JSJ3M-9	Hex Nut	M16	2
11	JSJ3M-21	Spring		1
12	TS-2210161	Hex Cap Screw	M10 x 16mm	1
13	TS-1491031	Hex Cap Screw	M10 x 25mm	2
14	TS-2361101	Lock Washer	M10	2
15	JSJ3T-15	Shaft		1
16	JSJ3M-07	Rear Wheel Assembly		2
17	JSJ3M-02	Hex Nut	M12 x 1.25mm	4
18	JSJ3M-32	Snap Ring	Ø 18mm	2
19	JSJ3M-33	Shaft		1
20	TS-1550061	Flat Washer	M8	1
21	JSJ3T-21	Pin	Ø 3 x 18mm	2
22	JSJ3M-36	Link		2
23	JSJ3T-23	Snap Ring	Ø 12mm	2
24	JSJ3T-24	Pedal Pin		1
25	JSJ3M-26	Spring		1
26	JSJ3T-26	Handle Socket		1
27	JSJ3M-29	Pedal		1
28	JSJ3M-40	Lock Nut	M10	1
29	JSJ3M-41	Flat Washer	M10	2
30	JSJ3M-42	Hex Bolt	M10 x 35mm	1
31	JSJ3T-31	Control Rod		1
32	JSJ3T-32	Handle Sleeve		2
33	JSJ3T-33	Fixing Ring		1
34	JSJ3T-34	Spring		1
35	JSJ3M-53	Flat Washer	Ø 10mm	1
36	JSJ3T-36	Rod Joint		1
37	JSJ3T-137	Cotter Pin	Ø 4 x 20mm	1
38	JSJ3T-38	Handle		1
39	JSJ3T-39	Knob		1
40	JSJ3T-40	Lock Pin	Ø 4 x 40mm	1
41	JSJ3M-28	Universal Joint Assembly		1
42	JSJ3T-42	Pin	Ø 3 x 20mm	1
43	JSJ3M-43	Spring		1
44	JSJ3T-44	Lock Pin	Ø 3 x 18mm	1
45	JSJ3T-45	Release Rod		1
46	JSJ3T-46	Lock Pin	Ø 4 x 20mm	2
47	JSJ3T-47	Cover		1
	JSJ3T-200	Hydraulic Cylinder Assembly (includes index # 48 thru 76)		
48	JSJ3T-48	Pump Plunger Pin		1
49	JSJ3T-49	Pump Plunger		1
50	JSJ3T-50	Nylon Gasket *	Ø 14mm	2
51	JSJ3T-51	O-Ring *	Ø 14 x 2.65mm	2
52	JSJ3T-52	Release Pin		1
53	JSJ3T-53	Seal *		1
54	SB-6MM	Steel Ball	Ø 6mm	2
55	SB-4MM	Steel Ball	Ø 4mm	1
56	JSJ3T-56	Safety Valve Ball Seat		1

57	JSJ3T-57	Safety Valve Spring	1
58	JSJ3T-58	Safety Valve Adjusting Screw	1
59	JSJ3T-59	Seal *	1
60	JSJ3T-60	Safety Valve Screw	1
61	JSJ3T-61	Spring	1
62	SB-9MM	Steel Ball	Ø 9mm
63	JSJ3T-63	Spring	1
64	JSJ3T-64	Copper Washer	1
65	TS-1506011	Socket Head Cap Screw	M12 x 20mm
66	JSJ3T-66	Oil Filler Plug	1
67	JSJ3T-67	Oil Tank Assembly	1
68	JSJ3T-68	Snap Ring	Ø 36mm
69	JSJ3T-69	O-Ring Retainer	1
70	JSJ3T-70	O-Ring *	Ø 36 x 4.6mm
71	JSJ3T-71	Seal Washer *	1
72	JSJ3T-72	Piston Ring	1
73	JSJ3T-73	Ram	1
74	JSJ3T-74	Bushing	2
75	JSJ3T-75	O-Ring *	Ø 43 x 3.55mm
76	JSJ3T-76	Snap Ring	1
	JSJ3T-RK	Repair Kit for JSJ-3T	1

NOTE: Items marked with an asterisk (*) are included in the Repair Kit.

Parts List: JSJ-5T Service Jack

Index No.	Part No.	Description	Size	Qty
1	JSJ5M-18	Frame and Lift Arm Assembly		1
2	JSJ5T-2	Front Wheel		2
3	JSJ5M-16	Flat Washer	Ø 22.5 x 2mm	2
4	JSJ5M-15	Snap Ring	Ø 19mm	4
5	JSJ3T-5	Grease Fitting		3
6	JSJ5T-6	Saddle		1
7	JSJ5M-12	Link Rod		2
8	JSJ5M-11	Link Rod Bolt		2
9	JSJ5M-8	Lock Washer	M20	2
10	JSJ5M-9	Hex Nut	M20	2
11	JSJ5M-21	Spring		1
12	TS-2210161	Hex Cap Screw	M10 x 16mm	1
13	TS-1491031	Hex Cap Screw	M10 x 25mm	2
14	TS-2361101	Lock Washer	M10	2
15	JSJ5T-15	Shaft		1
16	JSJ5T-16	Rear Wheel Assembly		2
17	JSJ3M-02	Hex Nut	M12 x 1.25mm	4
18	JSJ3M-32	Snap Ring	Ø 18mm	2
19	JSJ5M-33	Shaft		1
20	TS-1550061	Flat Washer	M8	1
21	JSJ3T-21	Pin	Ø 3 x 18mm	2
22	JSJ5M-36	Link		2
23	JSJ3T-23	Snap Ring	Ø 12mm	2
24	JSJ3T-24	Pedal Pin		1
25	JSJ3M-26	Spring		1
26	JSJ3T-26	Handle Socket		1
27	JSJ3M-29	Pedal		1
28	JSJ3M-40	Lock Nut	M10	1
29	JSJ3M-41	Flat Washer	M10	2
30	JSJ3M-42	Hex Cap Screw	M10 x 35mm	1
31	JSJ3T-31	Control Rod		1
32	JSJ3T-32	Handle Sleeve		2
33	JSJ3T-33	Fixing Ring		1
34	JSJ3T-34	Spring		1
35	JSJ3M-53	Flat Washer	Ø 10mm	1
36	JSJ3T-36	Rod Joint		1
37	JSJ3T-137	Cotter Pin	Ø 4 x 20mm	1
38	JSJ3T-38	Handle		1
39	JSJ3T-39	Knob		1
40	JSJ3T-40	Lock Pin	Ø 4 x 40mm	1
41	JSJ10M-28	Universal Joint Assembly		1
42	JSJ3T-42	Pin	Ø 3 x 20mm	1
43	JSJ3M-43	Spring		1
44	JSJ3T-44	Lock Pin	Ø 3 x 18mm	1
45	JSJ3T-45	Release Rod		1
46	JSJ3T-46	Lock Pin	Ø 4 x 20mm	2
47	JSJ5T-47	Cover		1
	JSJ5T-200	Hydraulic Cylinder Assembly (includes index #48 thru 76)		
48	JSJ3T-48	Pump Plunger Pin		1
49	JSJ3T-49	Pump Plunger		1
50	JSJ3T-50	Nylon Gasket *	Ø 14mm	2
51	JSJ3T-51	O-Ring *	Ø 14 x 2.65mm	2
52	JSJ3T-52	Release Pin		1
53	JSJ3T-53	Seal *		1
54	SB-6MM	Steel Ball	Ø 6mm	2
55	SB-4MM	Steel Ball	Ø 4mm	1
56	JSJ3T-56	Safety Valve Ball Seat		1

57	JSJ3T-57	Safety Valve Spring	1
58	JSJ3T-58	Safety Valve Adjusting Screw	1
59	JSJ3T-59	Seal *	1
60	JSJ3T-60	Safety Valve Screw	1
61	JSJ3T-61	Spring	1
62	SB-9MM	Steel Ball	Ø 9mm
63	JSJ3T-63	Spring	1
64	JSJ3T-64	Copper Washer	1
65	TS-1506011	Socket Head Cap Screw	M12 x 20mm
66	JSJ3T-66	Oil Filler Plug	1
67	JSJ5T-67	Oil Tank Assembly	1
68	JSJ5T-68	Snap Ring	Ø 40mm
69	JSJ5T-69	O-Ring Retainer	1
70	JSJ5T-70	O-Ring *	Ø 46.2 x 5.7mm
71	JSJ5T-71	Seal Washer *	1
72	JSJ5T-72	Piston Ring	1
73	JSJ5T-73	Ram	1
74	JSJ5T-74	Bushing	2
75	JSJ5T-75	O-Ring *	Ø 51.5 x 4.6mm
76	JSJ5T-76	Snap Ring	1
	JSJ5T-RK	Repair Kit for JSJ-5T	

NOTE: Items marked with an asterisk (*) are included in the Repair Kit.

Parts List: JSJ-10T Service Jack

Index No.	Part No.	Description	Size	Qty
1	JSJ10M-18	Frame and Lift Arm Assembly		1
2	JSJ10T-2	Front Wheel		2
3	JSJ10M-16	Flat Washer	Ø 22.5 x 2mm	2
4	JSJ10M-15	Snap Ring	Ø 19mm	4
5	JSJ3T-5	Grease Fitting		3
6	JSJ10T-6	Saddle		1
7	JSJ10M-12	Link Rod		2
8	JSJ10M-11	Link Rod Bolt		2
9	JSJ5M-8	Lock Washer	M20	2
10	JSJ5M-9	Hex Nut	M20	2
11	JSJ10M-21	Spring		1
12	TS-2210161	Hex Cap Screw	M10 x 16mm	1
13	TS-1491031	Hex Cap Screw	M10 x 25mm	2
14	TS-2361101	Lock Washer	M10	2
15	JSJ10T-15	Shaft		1
16	JSJ10T-16	Rear Wheel Assembly		2
17	TS-154010	Hex Nut	M16	2
17A	TS-2361161	Lock Washer (not shown)	M16	2
18	JSJ3M-32	Snap Ring	Ø 18mm	2
19	JSJ10M-33	Shaft		1
20	TS-1550061	Flat Washer	M8	1
21	JSJ3T-21	Pin	Ø 3 x 18mm	2
22	JSJ10M-36	Link		2
23	JSJ3T-23	Snap Ring	Ø 12mm	2
24	JSJ3T-24	Pedal Pin		1
25	JSJ10M-26	Spring		1
26	JSJ3T-26	Handle Socket		1
27	JSJ3M-29	Pedal		1
28	JSJ3M-40	Lock Nut	M10	1
29	JSJ3M-41	Flat Washer	M10	2
30	JSJ3M-42	Hex Cap Screw	M10 x 35mm	1
31	JSJ3T-31	Control Rod		1
32	JSJ3T-32	Handle Sleeve		2
33	JSJ3T-33	Fixing Ring		1
34	JSJ3T-34	Spring		1
35	JSJ3M-53	Flat Washer	Ø 10mm	1
36	JSJ3T-36	Rod Joint		1
37	JSJ3T-137	Cotter Pin	Ø 4 x 20mm	1
38	JSJ3T-38	Handle		1
39	JSJ3T-39	Knob		1
40	JSJ3T-40	Lock Pin	Ø 4 x 40mm	1
41	JSJ10M-28	Universal Joint Assembly		1
42	JSJ3T-42	Pin	Ø 3 x 20mm	1
43	JSJ3M-43	Spring		1
44	JSJ3T-44	Lock Pin	Ø 3 x 18mm	1
45	JSJ3T-45	Release Rod		1
46	JSJ3T-46	Lock Pin	Ø 4 x 20mm	2
47	JSJ10T-47	Cover		1
	JSJ10T-200	Hydraulic Cylinder Assembly (includes index # 48 thru 76)		
48	JSJ10T-48	Pump Plunger Pin		1
49	JSJ10T-49	Pump Plunger		1
50	JSJ10T-50	Nylon Gasket *	Ø 15mm	2
51	JSJ10T-51	O-Ring *	Ø 15 x 2.65mm	2
52	JSJ3T-52	Release Pin		1
53	JSJ3T-53	Seal *		1
54	SB-6MM	Steel Ball	Ø 6mm	2
55	SB-4MM	Steel Ball	Ø 4mm	1

56	JSJ3T-56	Safety Valve Ball Seat	1
57	JSJ3T-57	Safety Valve Spring	1
58	JSJ3T-58	Safety Valve Adjusting Screw	1
59	JSJ3T-59	Seal *	1
60	JSJ3T-60	Safety Valve Screw	1
61	JSJ3T-61	Spring	1
62	SB-9MM	Steel Ball	Ø 9mm
63	JSJ3T-63	Spring	1
64	JSJ3T-64	Copper Washer	1
65	TS-1506011	Socket Head Cap Screw	M12 x 20mm
66	JSJ3T-66	Oil Filler Plug	1
67	JSJ10T-67	Oil Tank Assembly	1
68	JSJ10T-68	Snap Ring	Ø 48mm
69	JSJ10T-69	O-Ring Retainer	1
70	JSJ10T-70	O-Ring *	Ø 53 x 5.3mm
71	JSJ10T-71	Seal Washer *	1
72	JSJ10T-72	Piston Ring	1
73	JSJ10T-73	Ram	1
74	JSJ10T-74	Bushing	2
75	JSJ10T-75	O-Ring *	Ø 61.5 x 5.3mm
76	JSJ10T-76	Snap Ring	1
	JSJ10T-RK	Repair Kit for JSJ-10T	1

NOTE: Items marked with an asterisk (*) are included in the Repair Kit.



TEST CERTIFICATE

COMMODITY	Service Jack
MODEL	JSJ-3T
SERIAL NO.	
CAPACITY	3 Tons
TEST LOAD	Tons
DATE OF INSPECTION	
JUDGEMENT	PASSED
INSPECTOR	

WMH Tool Group
2420 Vantage Drive
Elgin, Illinois 60123
Phone: 800-274-6848
www.wmhtoolgroup.com



TEST CERTIFICATE

COMMODITY	Service Jack
MODEL	JSJ-5T
SERIAL NO.	
CAPACITY	5 Tons
TEST LOAD	Tons
DATE OF INSPECTION	
JUDGEMENT	PASSED
INSPECTOR	

WMH Tool Group
2420 Vantage Drive
Elgin, Illinois 60123
Phone: 800-274-6848
www.wmhtoolgroup.com



TEST CERTIFICATE

COMMODITY	Service Jack
MODEL	JSJ-10T
SERIAL NO.	
CAPACITY	10 Tons
TEST LOAD	Tons
DATE OF INSPECTION	
JUDGEMENT	PASSED
INSPECTOR	

WMH Tool Group
2420 Vantage Drive
Elgin, Illinois 60123
Phone: 800-274-6848
www.wmhtoolgroup.com