

## CUSTOMER SUPPORT

Should you require any assistance regarding this product please gather the following information and then contact us using the details below:

- Product No.: 15019
- Original purchase date
- Place of purchase
- Information about the place and conditions of use
- Precise description of the issue or defect

**IMPORTANT!! - Please retain your sales receipt, Viavito Customer Care may request proof of purchase to validate eligibility for warranty service. Warranty cover starts from the date shown on the proof of purchase.**

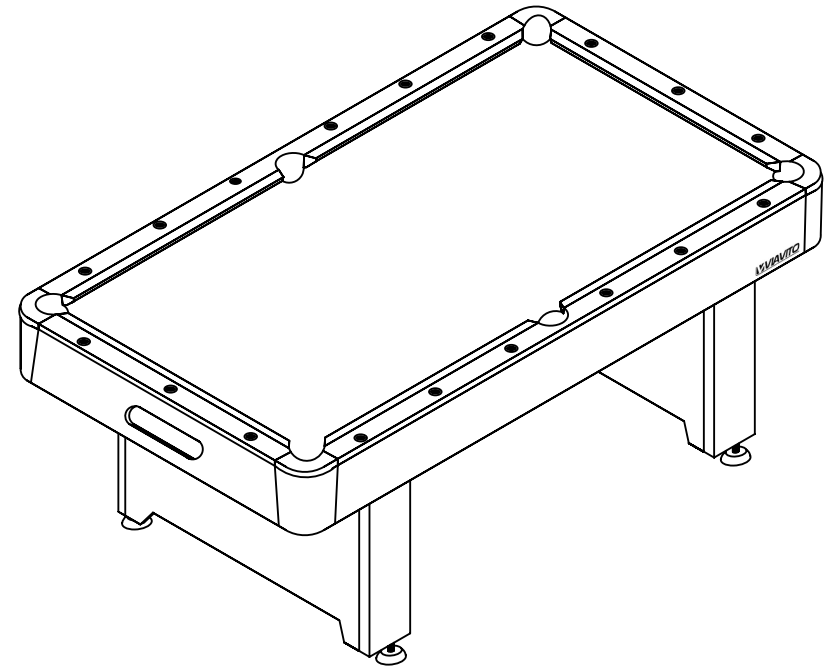
The best way to contact us is via the website: [www.viavito.com](http://www.viavito.com)

**Viavito Ltd**  
**42 Clipstone Street**  
**London W1W 5DE**  
**Email: [support@viavito.com](mailto:support@viavito.com)**



# PT200

6FT POOL TABLE



## USER MANUAL

[www.viavito.com](http://www.viavito.com)

Product Code: 15019

**THANK YOU FOR PURCHASING YOUR NEW PRODUCT FROM VIAVITO.**

Everything is included to start playing and we are confident you will have hours of fun playing with your new Viavito PT200 Pool Table.

**IMPORTANT!**

**Please read all instructions carefully before using this product.  
Retain this manual for future reference.  
The specifications of this product may vary slightly from the illustrations and are subject to change without notice.**

**IMPORTANT SAFETY NOTICE: NOTE THE FOLLOWING PRECAUTIONS BEFORE USING THE PRODUCT.**

1. Assemble the product exactly as the descriptions in the instruction manual.
2. Check all the screws, nuts and other connections before using the product for the first time.
3. Set up the product in a dry level place and keep it away from moisture and water.
4. DO NOT use aggressive cleaning products such as detergents. To clean the product, only use a clean cloth. Remove drops of sweat from the product immediately after use.
5. This product is for home use only. If used outside, please store indoors after use.

**VIAVITO MANUFACTURER'S WARRANTY**

Viavito Ltd warrants this product to be free of defects of material and workmanship, under normal use and conditions, for a period of 6 months from the date of the original purchase.

**TERMS**

This warranty extends only to the original purchaser and is not transferable. The warranty does not cover:

- 1) Normal wear and tear
- 2) Any changes to upgrade this product from its normal state or use as described in the user manual
- 3) Damage resulting from:
  - a) Transport
  - b) Abuse, misuse, failure to follow instructions or improper or abnormal use
  - c) Non-home use - including commercial, professional, or rental purposes
  - d) Repairs not provided by Viavito Ltd
  - e) Accidents, lightning, water, fire, or any other causes beyond the control of Viavito
  - f) Improper location including, but not limited to, humid, dusty, or outdoor environments

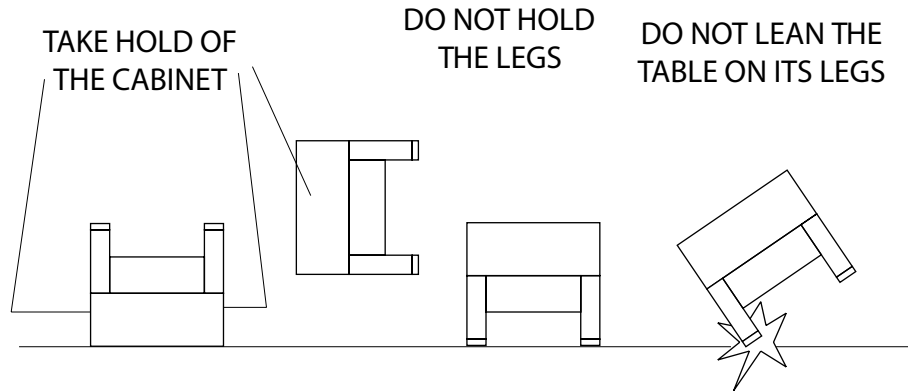
Viavito is not responsible or liable for direct, indirect, or consequential losses arising out of or in connection with the use of this product or damages with respect to any loss of property, revenue, profits, enjoyment or use. Nor for any costs of removal or installation of this product.

This warranty covers products purchased from new inside the United Kingdom.



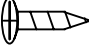



### CAUTION



1. It is recommended that two adults turn the table over.
2. Take hold of the table as shown.
3. Turn the table over.
4. Place the table on all four feet at the same time on the ground.



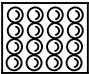




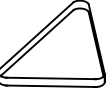
## HARDWARE PACK

<p>H1</p>  <p>5/16"x1-3/8" BOLTS 12pcs</p>	<p>H2</p>  <p>5/16" WASHER 12pcs</p>
<p>H3</p>  <p>8#x1-1/4" SCREWS 24pcs</p>	<p>H4</p>  <p>LEG LEVELERS 4pcs</p>

## PARTS

<p>P1</p>  <p>LEGS 4pcs</p>	<p>P2</p>  <p>LEG END PANELS 4pcs</p>
--	--

## ACCESSORIES

<p>A1</p>  <p>BILLIARD BALL 1set</p>	<p>A2</p>  <p>TOOL 1pc</p>	<p>A3</p>  <p>CHALK 2pcs</p>
<p>A4</p>  <p>BRUSH 1pc</p>	<p>A5</p>  <p>CUE STICK 2pcs</p>	<p>A6</p>  <p>TRIANGLE 1pc</p>

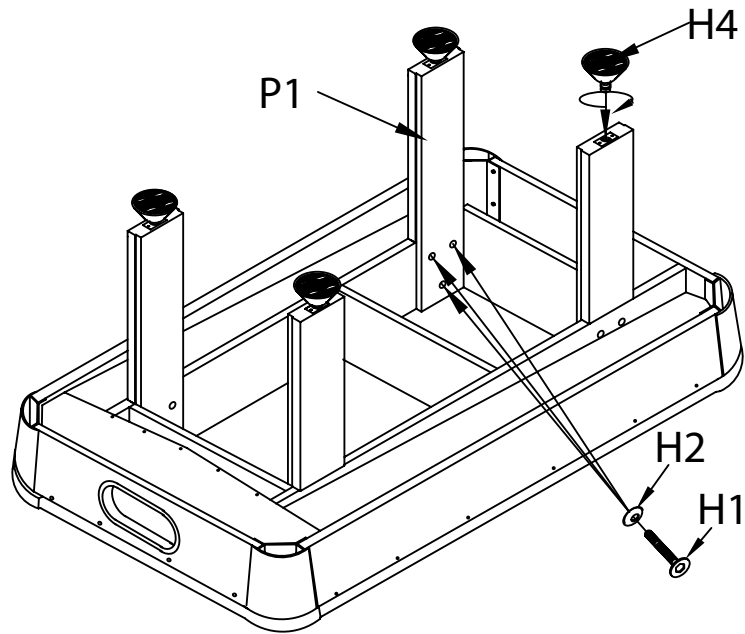
# TABLE ASSEMBLY

**Warning: TWO ADULTS NEEDED TO ASSEMBLE TABLE**

1. Find a clean, level place to begin the assembly of your billiard table. We suggest that in the bottom of the tables with carton protected.

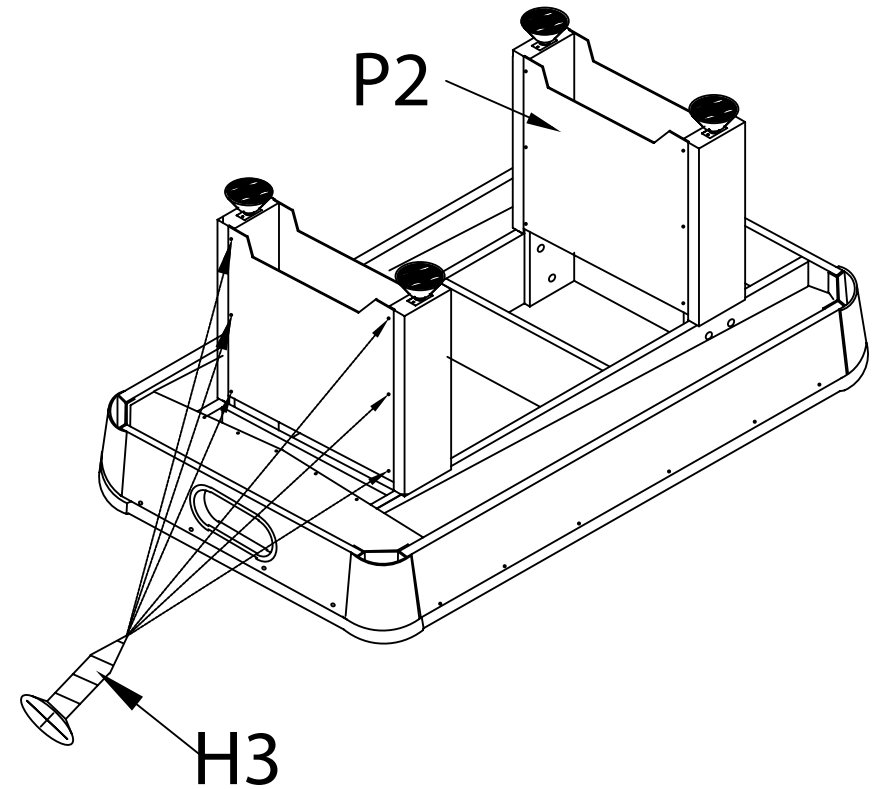
2. Attach the legs (P1) to the skeleton using bolts (H1) and the washers(H2)as shown in FIGURE 1.

3. Attach one leg levelers (H4) to the bottom of each Attach one leg levelers(H4)to the bottom of each legs as shown in FIGURE 1.



**Figure 1**

4. Attach the leg end panels (P2) to the legs (P1) using screws (H3) as shown in FIGURE 2.



**Figure 2**