



USER MANUAL



Item Number: 82-18285

Thank you for purchasing our products. Please read the manual carefully before operating.

Safety Precaution

	Warning Don't dismantle without authority, becareful thunder striking.	
<p>Note: To avoid thunder-striking, please don't open the backcover, the maintenance must be made by our authorized serviceman.</p>		

Warning

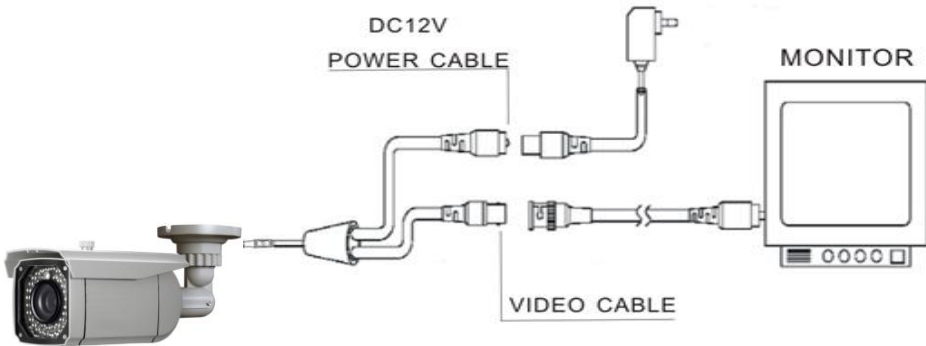
- * Please make sure the power adapter is consistent with product specifications, otherwise it might cause fire, electric shock or damage.
- * Pay attention to polarity of the power adapter connection to prevent possible causes of fire.
- * Please avoid connecting multiple cameras to the same adapter to prevent overloading/over-heating the power adapter, which could cause a fire.
- * Power supply must be firmly fixed so as not to cause fires.
- * Please do not dismantle the camera as this will void the warranty. If the camera is not operating properly, please contact your local distributor or dealer for service.
- * Please do not splash water on the product components when cleaning.

Technical Specifications

<u>Item Number:</u>	<u>82-18285</u>
<u>Signal System:</u>	<u>NTSC</u>
<u>Sensor CCD:</u>	<u>Sony Effio-E</u>
<u>Horizontal resolution :</u>	<u>700 TV lines</u>
<u>Lens:</u>	<u>2.8-12mm</u>
<u>Minimum Illumination:</u>	<u>0 LUX (IR ON)</u>
<u>S/N Ratio:</u>	<u>More than 48 dB</u>
<u>Distance:</u>	<u>45-50 Metres</u>
<u>LED :</u>	<u>60PCS LED</u>
<u>OSD Menu:</u>	<u>YES</u>
<u>Video Output:</u>	<u>1Vp-p 75Ω . Y/C Separated</u>
<u>Connector video :</u>	<u>BNC</u>
<u>Operation Temperature:</u>	<u>-20°C to +50°C</u>
<u>Supplied Power:</u>	<u>12VDC(+/-10%);</u>
<u>IP Rating:</u>	<u>IP66</u>

Installation

1. Connect the DC power barrel plug from the power supply to the DC power jack from the camera's power output cable lead.
2. Connect the BNC connector from the DVR video channel to the camera's video cable lead, or directly to a DVR / Observation System, or to a TV/Monitor.
3. Mount the camera bracket to a ceiling or wall using the included fasteners.
4. Position the camera in the correct direction to capture the image and field of view (a field focus test monitor is recommended) and secure the camera in place.



Troubleshooting

1. If there is no picture or the picture is unstable

Check the connection of video line or power line

2. If the image is blurred

a) Check the lens for dirt or debris (clean with isopropyl alcohol and lens cloth)

b) Check the focus length and OSD settings

3. If the image is dim

Adjust the CNT of monitor and iris

4. If there is not a motion detection frame or privacy masking area/frame

Check the OSD to ensure the option is ON or OFF. Also, check the menu parameters

5. If there is a color cast when using the camera in the special environment

Adjust WEB mode or direction

6. If there is excessive glare on the screen

The camera might be facing into the sun, or capturing too much sunlight

7. If the OSD functions are disorganized, or fail to initiate.

Restore default settings

WARNING: If you see any smoke from the camera, cut off the power supply immediately.

Accessory List

No.	Name	Quantity	Remark
1	CCTV Camera	1	
2	User Manual	1	
3	Screw	1	