



KALORIK



www.KALORIK.com



Slicer

Cortafiambres

Trancheuse

USK AS 27222

USK AS 29091

120V~ 60Hz 200W



Front cover page (first page)

Assembly page 1/24



Fax +32 2 359 95 50

Copies of the I/B. Please reproduce them without any changes except under special instruction from Team International BELGIUM. The pages must be reproduced and folded in order to obtain a booklet A5 (+/- 148.5 mm width x 210 mm height). When folding, make sure you keep the good numbering when you turn the pages of the I/B. Don't change the page numbering. Keep the language integrity. **Print only what is inside the frame.**



(EN) OPERATING INSTRUCTIONS

IMPORTANT SAFEGUARDS

When using electrical appliances, basic safety precautions should always be followed, including the following:

- ❑ **READ ALL INSTRUCTIONS**
- ❑ Check that your mains voltage corresponds to that stated on the appliance.
- ❑ Close supervision is necessary to prevent children from using the appliance.
- ❑ Never leave the appliance unsupervised when in use.
- ❑ From time to time check the cord for damages. Never use the appliance if cord or appliance shows any signs of damage but have it checked and repaired by a competent qualified service(*). Should the cord be damaged, it must be replaced by a qualified service.
- ❑ Only use the appliance for domestic purposes and in the way indicated in these instructions.
- ❑ Never immerse the appliance in water or any other liquid for any reason whatsoever. Never place it into the dishwasher.
- ❑ Never use the appliance near hot surfaces.
- ❑ Before cleaning, always unplug the appliance from the power supply.
- ❑ Never use the appliance outside and always place it in a dry environment.
- ❑ Never use accessories which are not recommended by the producer. They could constitute a danger to the user and risk to damage the appliance.
- ❑ Never move the appliance by pulling the cord. Make sure the cord cannot get caught in any way. Do not wind the cord around the appliance and do not bend it.
- ❑ Make sure the appliance is set on a flat surface.
- ❑ Unplug the appliance when not in use.
- ❑ Only use this slicer for cooking applications. Only cut articles such as cheese, meat, bread and preparations. Frozen food can be cut with this slicer, deep frozen food too, but please do not try to cut deep frozen food more than 4mm / 1/4 in. thick



Fax +32 2 359 95 50

Copies of the I/B. Please reproduce them without any changes except under special instruction from Team International BELGIUM. The pages must be reproduced and folded in order to obtain a booklet A5 (+/- 148.5 mm width x 210 mm height). When folding, make sure you keep the good numbering when you turn the pages of the I/B. Don't change the page numbering. Keep the language integrity. **Print only what is inside the frame.**



- ❑ Never cut food only by using your hands. Always use the slide and its food guide unless it is impossible because of the size and dimension of the article. Make sure never to touch the blade.
- ❑ This kind of appliance cannot function continuously; it is not a professional type of appliance. It is necessary to make temporary stops. Check the section « Important information » in the instruction manual.
- ❑ The blade of this appliance is extremely sharp; always be very careful when cleaning the appliance.
- ❑ It is absolutely necessary to keep this appliance clean at all times as it comes into direct contact with food.
- ❑ Make sure the appliance is unplugged when disassembling it before cleaning or other.
- ❑ Never touch the blade when the appliance is in use. Furthermore, never try to stop the movement of the blade in any way whatsoever.

SAVE THESE INSTRUCTIONS HOUSEHOLD USE ONLY

POLARIZED PLUG INSTRUCTIONS

Some appliances are equipped with a polarized plug (one blade is wider than the other). To reduce the risk of electric shock, this plug will fit into the polarized outlet only one way. If the plug does not properly fit into the outlet at first, reverse it. If it still does not fit, contact a competent qualified electrician. **Do not attempt to modify the plug in any way.**

For appliances equipped with a standard plug, simply insert the plug into the outlet without paying attention to the way you plug it.

SHORT CORD INSTRUCTIONS

A short power supply cord is provided to reduce the hazards resulting from becoming entangled in, or tripping over a longer cord. Extension cords may be used if care is exercised in their use.



Fax +32 2 359 95 50

Copies of the I/B. Please reproduce them without any changes except under special instruction from Team International BELGIUM. The pages must be reproduced and folded in order to obtain a booklet A5 (+/- 148.5 mm width x 210 mm height). When folding, make sure you keep the good numbering when you turn the pages of the I/B. Don't change the page numbering. Keep the language integrity. **Print only what is inside the frame.**

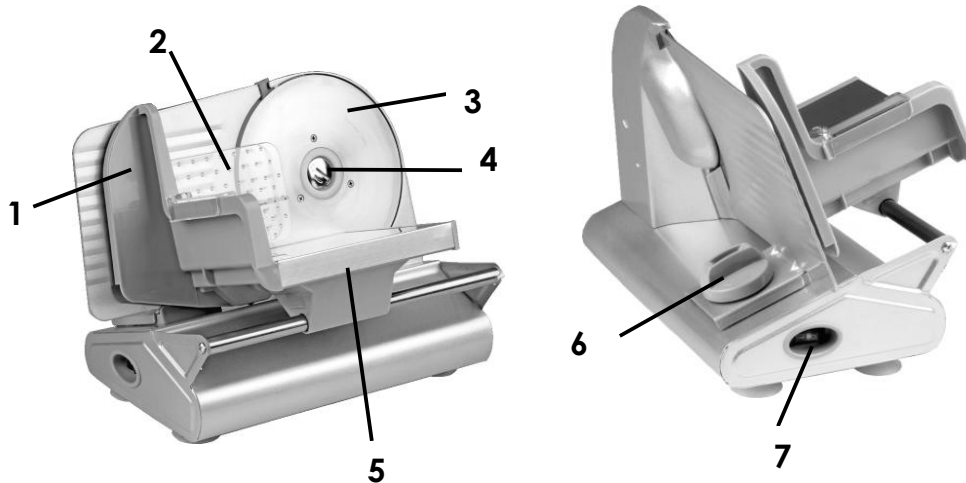


- The electrical rating of the extension cord should be at least that of the appliance. If the electrical rating of the extension cord is too low, it could overheat and burn.
- The resulting extended cord should be arranged so that it will not drape over the counter top or tabletop where it can be pulled on by children or tripped over.

IMPORTANT INFORMATION

This appliance is not for commercial use. You should follow the requested breaks. Failure to follow this instruction carefully may result in damage to the motor. **Please refer to the rating label for the maximum continuous usage time** (KB xx min where xx is the maximum usage time). The breaks should last at least 10 minutes.

PART DESCRIPTION



1. Thumb guard
2. Pusher
3. Blade
4. Blade locking device
5. Platform
6. Thickness adjuster
7. On/off switch



Fax +32 2 359 95 50

Copies of the I/B. Please reproduce them without any changes except under special instruction from Team International BELGIUM. The pages must be reproduced and folded in order to obtain a booklet A5 (+/- 148.5 mm width x 210 mm height). When folding, make sure you keep the good numbering when you turn the pages of the I/B. Don't change the page numbering. Keep the language integrity. **Print only what is inside the frame.**



USING THE SLICER

For a safe use, your appliance is fitted with a sliding food platform (5) with a thumb guard (1) and pusher (2)), which allows to protect your hands by giving an exceptional use comfort.

The platform allows making to and fro motions along the blade to cut the slices. Use the handle to move it.

The pusher allows you to hold the food in position when slicing by holding your hand far from the blade. Therefore it is recommended to always use it except if the food is too large and in this case keep it as far as possible from the blade.

- Clean all parts of the appliance before the first use.
- Make sure the appliance is steady and add the pusher (2) on the platform (5).
- Plug in the appliance. The slicer is now ready for use.
- Place a plate or a dish below the blade to collect the slices.
- Move the platform away from the blade and lay the food to be sliced on the stainless steel plate.
- Push the food against the mobile side of the appliance with the pusher (2) and select the slicing thickness – up to 1/2" - by turning the adjusting knob (6).
- Place the switch (7) to the position I. The blade will start rotating and the pilot light of the switch goes on.
- Push the platform using your thumb on the thumb guard (1) to bring the food to the blade (3). Therefore use the handle of the platform and keep the pressure on the mobile side of the appliance thanks to the pusher. **Do not apply too much pressure, for best results.**
- If it becomes difficult to slice the food (important braking of the blade), move back a little bit and start the operation again by approaching the blade slowly.
- To avoid food sticking to the appliance and to improve the slicing, you can moisten or oil the blade with a towel beforehand.
- Do not slice meat with bones, food with large seeds, or rolled roast without removing the string, wrappers (i.e. aluminium foil).



Fax +32 2 359 95 50

Copies of the I/B. Please reproduce them without any changes except under special instruction from Team International BELGIUM. The pages must be reproduced and folded in order to obtain a booklet A5 (+/- 148.5 mm width x 210 mm height). When folding, make sure you keep the good numbering when you turn the pages of the I/B. Don't change the page numbering. Keep the language integrity. **Print only what is inside the frame.**



STORAGE

When not in use, it is recommended that the thickness adjustment button is turned down all the way, so that the blade is not flush anymore but concealed, in order to avoid any risk of accidental cuts or injuries.

CLEANING

- Make sure the switch has is in "0" position and that the appliance has to be unplugged from the power supply before cleaning the appliance
- Wipe the inside and outside of the appliance with a paper towel or a soft cloth. It should not be washed in a dishwasher (the platform tips to make the cleaning easier).
- Do not clean the inside or outside with any abrasive scouring pad or steel wool as this will damage the finish.
- Do not immerse in water or any other liquid.
- Dry all parts well before storage.

REMOVING BLADE FOR DEEP CLEANING

- Switch off the appliance and unplug it from the power socket.
- To remove the blade, turn the locking device (4) located in the middle on the blade with a coin (a US quarter works best) for example. **You have to turn the locking device counter-intuitively:** clockwise to remove, counterclockwise to tighten.
- To put the blade back into place, proceed inversely.
- Be very careful during this operation as the blade is very sharp.

IMPORTANT INFORMATION

- A lubricant paste is applied at the factory in order to ensure correct lubrication for the first couple of usage. After this, the first time you remove the blade, the user can remove the extra lubrication paste or leave it. The paste is food safe. No extra lubrication will be needed afterwards.
- Just cautiously cleaning the blade surface after use as indicated in the user manual should avoid cross-contamination. Deep cleaning by removing the blade shall only be necessary from time to time.



Fax +32 2 359 95 50

Copies of the I/B. Please reproduce them without any changes except under special instruction from Team International BELGIUM. The pages must be reproduced and folded in order to obtain a booklet A5 (+/- 148.5 mm width x 210 mm height). When folding, make sure you keep the good numbering when you turn the pages of the I/B. Don't change the page numbering. Keep the language integrity. **Print only what is inside the frame.**



WARRANTY

We suggest that you complete and return the enclosed Product Registration Card promptly to facilitate verification of the date of original purchase. However, return of the Product Registration Card is not a condition of these warranties. You can also fill this warranty card online, at the following address: www.KALORIK.com

This KALORIK product is warranted in the U.S.A. for 1 year from the date of purchase against defects in material and workmanship. This warranty is not transferable. Keep the original sales receipt. Proof of purchase is required to obtain warranty performance.

During this period, the KALORIK product that, upon inspection by KALORIK, is proved defective, will be repaired or replaced, at Kalorik's option, without charge to the customer. If a replacement product is sent, it will carry the remaining warranty of the original product.

This warranty does not apply to any defect arising from a buyer's or user's misuse of the product, negligence, failure to follow KALORIK instructions noted in the user's manual, use on current or voltage other than that stamped on the product, wear and tear, alteration or repair not authorized by KALORIK, or use for commercial purposes. There is no warranty for glass parts, glass containers, filter basket, blades and agitators, and accessories in general. There is also no warranty for parts lost by the user.

ANY WARRANTY OF MERCHANTABILITY OR FITNESS WITH RESPECT TO THIS PRODUCT IS ALSO LIMITED TO THE ONE YEAR LIMITED WARRANTY PERIOD.

Some states do not allow limitation on how long an implied warranty lasts or do not allow the exclusion of incidental or consequential damages, so the above limitations may not apply to you. This warranty gives you specific legal rights, and you may also have other rights which vary from state to state.



Fax +32 2 359 95 50

Copies of the I/B. Please reproduce them without any changes except under special instruction from Team International BELGIUM. The pages must be reproduced and folded in order to obtain a booklet A5 (+/- 148.5 mm width x 210 mm height). When folding, make sure you keep the good numbering when you turn the pages of the I/B. Don't change the page numbering. Keep the language integrity. **Print only what is inside the frame.**



If the appliance should become defective within the warranty period and more than 30 days after date of purchase, do not return the appliance to the store: often, our Consumer Service Representatives can help solve the problem without having the product serviced. If servicing is needed, a Representative can confirm whether the product is under warranty and direct you to the nearest service location.

If this is the case, bring the product, or send it, postage prepaid by the user (all Kalorik customers are responsible for the initial shipment back to the warranty center), along **with proof of purchase** and indicating a **return authorization number** given by our Consumer Service Representatives, to the authorized KALORIK Service Center (please visit our website at www.KALORIK.com or call our Customer Service Department for the address of our authorized KALORIK Service Center).

If you send the product, please include a letter explaining the nature of the claimed defect.

If you have additional questions, please call our Consumer Service Department (please see below for complete contact information), Monday through Friday from 9:00am - 6:00pm (EST). Please note hours are subject to change.

If you would like to write, please send your letter to:

KALORIK Consumer Service Department
Team International Group of America Inc.
1400 N.W 159th Street, Suite 102
Miami Gardens, FL 33169 USA

Or call:

Toll Free: +1 888-521-TEAM / +1 888-KALORIK

Only letters can be accepted at this address above. Shipments and packages that do not have a return authorization number will be refused.



Fax +32 2 359 95 50

Copies of the I/B. Please reproduce them without any changes except under special instruction from Team International BELGIUM. The pages must be reproduced and folded in order to obtain a booklet A5 (+/- 148.5 mm width x 210 mm height). When folding, make sure you keep the good numbering when you turn the pages of the I/B. Don't change the page numbering. Keep the language integrity. **Print only what is inside the frame.**



(SP) MANUAL DE INSTRUCCIONES

CONSEJOS DE SEGURIDAD

Cuando se utilizan aparatos eléctricos, hay unas precauciones básicas de seguridad que siempre se deben seguir, tales como:

- ❑ **LEA TODAS LAS INSTRUCCIONES.**
- ❑ Antes de utilizar el aparato, compruebe que el voltaje de la red eléctrica coincide con el aparato.
- ❑ Una estrecha supervisión es necesaria para evitar que los niños utilicen el aparato.
- ❑ No deje nunca su aparato sin vigilancia cuando esté en marcha.
- ❑ Compruebe de vez en cuando que el aparato no esté dañado y no utilice su aparato si el cable o el aparato están dañados por el motivo que sea. Cualquier reparación debe ser realizada por un servicio cualificado competente. Si el cable está dañado, debe ser reemplazado por un servicio cualificado competente
- ❑ Utilice el aparato sólo para usos domésticos y de la manera indicada en el modo de empleo.
- ❑ No sumerja nunca el aparato en el agua o en cualquier otro líquido ni para su limpieza ni por cualquier otra razón. No lo introduzca nunca en el lavavajillas.
- ❑ No utilice el aparato cerca de fuentes de calor.
- ❑ La clavija eléctrica debe ser desenchufada antes de limpiar el aparato.
- ❑ Procure no utilizar el aparato en el exterior y colóquelo en un sitio seco.
- ❑ No utilice accesorios no recomendados por el fabricante, ello puede conllevar un riesgo para el usuario y dañar el aparato.
- ❑ No mueva nunca el aparato estirando del cable. Coloque el aparato sobre una mesa o un soporte lo suficiente estable y procure que el cable no se enganche en alguna parte, a fin de evitar posibles caídas del mismo. Evite enrollar el cable alrededor del aparato y no lo tuerza.
- ❑ Coloque su aparato sobre una superficie plana y estable.
- ❑ Desenchufe el aparato siempre que no lo utilice.
- ❑ Utilice este aparato sólo para aplicaciones culinarias. Este aparato está concebido para cortar queso, carne, pan y preparados. También se pueden cortar alimentos congelados,



Fax +32 2 359 95 50

Copies of the I/B. Please reproduce them without any changes except under special instruction from Team International BELGIUM. The pages must be reproduced and folded in order to obtain a booklet A5 (+/- 148.5 mm width x 210 mm height). When folding, make sure you keep the good numbering when you turn the pages of the I/B. Don't change the page numbering. Keep the language integrity. **Print only what is inside the frame.**



perón nunca trate de cortarlos a más de 4mm / ¼ pulgadas de espesor.

- ❑ No corte nunca alimentos con las manos, utilice siempre el carro y la guía salvo cuando el tamaño del alimento lo impide. Nunca toque la cuchilla.
- ❑ Este aparato no puede funcionar de manera continuada, no es un aparato profesional. Es necesario efectuar pausas a intervalos regulares. Consulte el punto "Tiempo de utilización" en el modo de empleo.
- ❑ La cuchilla de este aparato está muy afilada, tenga mucho cuidado cuando la manipule y especialmente al limpiarla.
- ❑ Es indispensable guardar el aparato limpio, ya que está en contacto directo con los alimentos.
- ❑ Desenchufe siempre el aparato para desmontarlo o limpiarlo.
- ❑ No toque nunca la cuchilla cuando el aparato esté en funcionamiento, no intente nunca inmovilizar de ninguna manera el movimiento de la cuchilla.

GUARDE ESTAS INSTRUCCIONES SOLAMENTE PARA USO DOMESTICO

INFORMACIÓN SOBRE EL ENCHUFE POLARIZADO

Algunos aparatos están provistos con un enchufe polarizado (una pata es más ancha que la otra). Para reducir el riesgo de choque eléctrico, este enchufe calza en el tomacorriente polarizado de una sola manera. Si el enchufe no cabe totalmente en el tomacorriente, gire el enchufe. Si aún así no calza, consulte a un servicio técnico cualificado. **No intente anular esta característica de seguridad.**

Para los aparatos provistos con un enchufe clásico, basta con insertar el enchufe en la toma de corriente.

INSTRUCCIONES DEL CABLE

El cable de alimentación del aparato es un cable corto a fin de disminuir el riesgo de accidentes (caídas al tropezar con él, etc.) Puede utilizar un alargador si es necesario.



Fax +32 2 359 95 50

Copies of the I/B. Please reproduce them without any changes except under special instruction from Team International BELGIUM. The pages must be reproduced and folded in order to obtain a booklet A5 (+/- 148.5 mm width x 210 mm height). When folding, make sure you keep the good numbering when you turn the pages of the I/B. Don't change the page numbering. Keep the language integrity. **Print only what is inside the frame.**

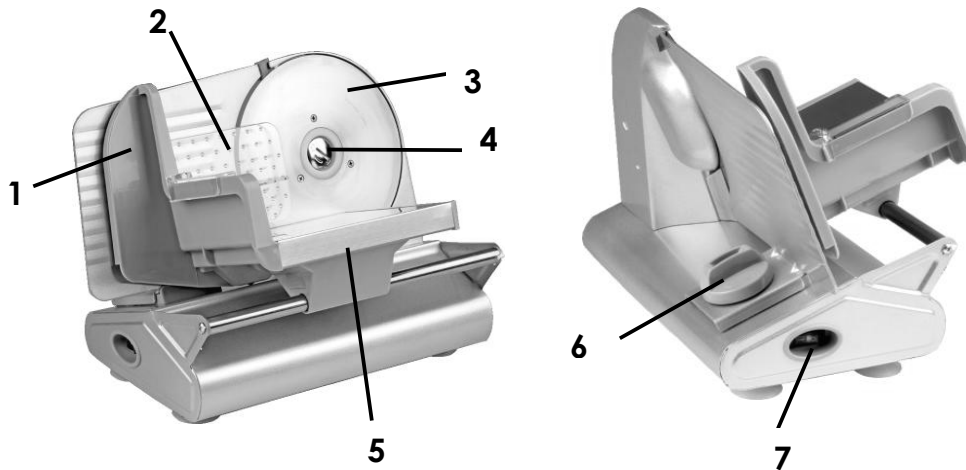


- Asegúrese de que el nivel eléctrico del cable es igual o mayor que el indicado. Una extensión con un bajo nivel eléctrico correría el riesgo de sobrecalentarse y de estropearse.
- Para evitar riesgos colocar de forma tal que los niños no puedan jalarlo o tropezar con él.. Que no arrastre nunca por el suelo.

TIEMPO DE UTILIZACIÓN

Para una utilización óptima de su aparato y evitar el deterioro de su motor, controle el tiempo de utilización continuada máxima indicada en la placa de características. (KB xx min. donde xx es el duración máxima). Pausa de utilización: 10 minutos.

PARTES



1. Protección para el pulgar
2. Guía
3. Cuchilla circular
4. Dispositivo de bloqueo de la cuchilla
5. Carro
6. Reglaje del espesor de las lonchas
7. Interruptor luminoso



Fax +32 2 359 95 50

Copies of the I/B. Please reproduce them without any changes except under special instruction from Team International BELGIUM. The pages must be reproduced and folded in order to obtain a booklet A5 (+/- 148.5 mm width x 210 mm height). When folding, make sure you keep the good numbering when you turn the pages of the I/B. Don't change the page numbering. Keep the language integrity. **Print only what is inside the frame.**



COMO UTILIZAR SU CORTAFIAMBRES

Por un uso seguro, su aparato cuenta con un carro (5) con protección para el pulgar (1) y guía (2) que permite proteger sus manos y vuelve el uso más fácil.

El carro permite cortar lonchas haciendo movimientos de vaivén contra la cuchilla. Utilice el asa para desplazar el carro.

La guía permite mantener las manos lejos de la cuchilla cuando corte los alimentos. Por esa razón, aconsejamos a que utilice siempre estos accesorios excepto si el alimento está demasiado grande. En este caso, manténgalo firmemente teniendo las manos lejos de la cuchilla para evitar accidentes.

- Lave todas las piezas de su aparato antes de su primera utilización.
- Coloque su aparato sobre una superficie plana y estable y ajuste la guía (2) sobre el carro (5).
- Regule el espesor del corte deseado con la ayuda del mando giratorio (6).
- Enchufe el aparato a la red eléctrica. Su aparato está listo para su uso.
- Ponga los alimentos a cortar entre la cuchilla circular (3) y la guía.
- Presione el interruptor (7). La cuchilla empezará a girar. El testigo luminoso del interruptor se enciende, indicando que el aparato está en funcionamiento.
- Ayudándose con el carro y colocando su pulgar en protección (1). Guíe los alimentos hacia la cuchilla circular (3). Utilice el asa de la plataforma y mantenga la presión sobre la parte móvil del aparato gracias al empujador. Para obtener buenos resultados no aplique demasiada presión.
- Note que el carro (5) no se desplaza con facilidad, a fin de evitar cualquier riesgo. Si se vuelve difícil el cortar en lonchas los alimentos, retroceda un poco y empiece de nuevo la operación acercándose lentamente a la cuchilla
- Humedezca la cuchilla circular antes de cortar los alimentos que podrían quedar pegados en la misma, ello le asegurará un corte más fácil.
- Utilice siempre la guía, aunque corte trozos pequeños o restos de alimentos.



Fax +32 2 359 95 50

Copies of the I/B. Please reproduce them without any changes except under special instruction from Team International BELGIUM. The pages must be reproduced and folded in order to obtain a booklet A5 (+/- 148.5 mm width x 210 mm height). When folding, make sure you keep the good numbering when you turn the pages of the I/B. Don't change the page numbering. Keep the language integrity. **Print only what is inside the frame.**



- No utilice el cortafiambres para cortar carne con huesos, los alimentos que tengan grandes nudos, los embalajes (como por ejemplo papel de aluminio), y partes duras y no comestibles de los alimentos.

GUARDAR

Cuando no esté en uso, se recomienda que coloque el botón de ajuste de espesor completamente hacia abajo, de modo que la cuchilla no esté a ras, sino oculta, a fin de evitar cualquier riesgo de cortes o lesiones accidentales.

LIMPIEZA

- Asegúrese de que el interruptor se encuentra en posición "0". Desenchufe el aparato de la toma de corriente antes de limpiarlo.
- Enjuague su aparato con la ayuda de un papel absorbente o de un trapo suave. No meta nunca el aparato en el lavavajillas.
- No limpie nunca su aparato (exterior o interior) con la ayuda de productos abrasivos ya que estropearía el revestimiento.
- No sumerja el aparato en agua ni en ningún otro líquido.
- Seque bien todas las piezas antes de guardar el aparato.

EXTRACCION DE LA CUCHILLA PARA SU LIMPIEZA

- Apague el aparato y desenchufe la clavija eléctrica.
- Para quitar la cuchilla, gire el dispositivo de bloqueo (4) que se encuentra en el medio de la cuchilla con una moneda por ejemplo. En dirección de las agujas del reloj para quitarlo y hacia la izquierda para sujetarlo.
- Para colocar de nuevo la cuchilla, proceda de forma inversa.
 - ¡CUIDADO! Tenga cuidado cuando toque la cuchilla. Está muy afilada y podría provocar heridas.

INFORMACIÓN IMPORTANTE

- En fábrica se aplica una pasta lubricante en el aparato, con el fin de garantizar la correcta lubricación en los primeros usos. Cuando la cuchilla es retirada por primera vez, el usuario puede retirar la pasta lubricante restante o dejarla. No hay peligro de ingestión ya que la



Fax +32 2 359 95 50

Copies of the I/B. Please reproduce them without any changes except under special instruction from Team International BELGIUM. The pages must be reproduced and folded in order to obtain a booklet A5 (+/- 148.5 mm width x 210 mm height). When folding, make sure you keep the good numbering when you turn the pages of the I/B. Don't change the page numbering. Keep the language integrity. **Print only what is inside the frame.**



pasta tiene la calificación de inocuidad de los alimentos. Una lubricación adicional ya no sera necesaria después.

- Una limpieza cautelosa de la superficie de la cuchilla tras cada uso, como indicado en el manual, evita la contaminación de los alimentos. Una limpieza profunda mediante la eliminación de la cuchilla sólo será necesaria de vez en cuando.



Fax +32 2 359 95 50

Copies of the I/B. Please reproduce them without any changes except under special instruction from Team International BELGIUM. The pages must be reproduced and folded in order to obtain a booklet A5 (+/- 148.5 mm width x 210 mm height). When folding, make sure you keep the good numbering when you turn the pages of the I/B. Don't change the page numbering. Keep the language integrity. **Print only what is inside the frame.**



GARANTÍA

Le sugerimos rellenen y nos envíen rápidamente la Tarjeta de Registro de Producto adjunta para facilitar la verificación de la fecha de compra. Por lo tanto, la devolución de esa Tarjeta de Registro de Producto no es una condición imprescindible para la aplicación de esa garantía. Puede también rellenar dicha tarjeta de garantía en línea en la dirección siguiente: www.KALORIK.com

A partir de la fecha de compra, este producto KALORIK está garantizado un año contra los defectos materiales y de fabricación, en los Estados Unidos. Esta garantía no es transferible. Conserve la prueba de compra original. Se exige una prueba de compra para obtener la aplicación de la garantía.

Durante este período, si el producto KALORIK después de una inspección por parte de KALORIK, se manifiesta defectuoso, será reparado o reemplazado, según lo que decida KALORIK, sin gastos para el consumidor. Si se envía un producto de reemplazo, se aplicará la garantía que queda del producto original.

Esta garantía no se aplica a los defectos causados por una mala utilización por parte del comprador o del usuario, o una negligencia al no respeto del manual de instrucciones KALORIK, o una utilización en un circuito eléctrico cuyo voltaje es diferente al que figura en el producto, o un desgaste normal, o modificaciones o reparaciones no autorizadas por KALORIK, o por un uso con fines comerciales. No existe garantía por las partes de cristal, jarras de cristal, filtros, cestos, cuchillas y accesorios en general. No existe tampoco garantía por las piezas perdidas por el usuario.

Toda garantía de valor comercial o de adaptabilidad a este producto está limitada a un año también.

Algunos estados no ponen límites a la duración de la garantía tácita o no autorizan la exclusión de daños y perjuicios accesorios o indirectos, por lo que puede que las restricciones anteriormente mencionadas no le sean aplicables a Usted. Esta garantía le otorga derechos legales particulares, pero usted puede tener también otros



Fax +32 2 359 95 50

Copies of the I/B. Please reproduce them without any changes except under special instruction from Team International BELGIUM. The pages must be reproduced and folded in order to obtain a booklet A5 (+/- 148.5 mm width x 210 mm height). When folding, make sure you keep the good numbering when you turn the pages of the I/B. Don't change the page numbering. Keep the language integrity. **Print only what is inside the frame.**



derechos que varían de un estado a otro y algunos derechos pueden variar de un estado a otro.

Si el aparato tuviera un defecto durante el periodo de garantía y / o más de 30 días después de que se compró, no devuelva el aparato en la tienda donde le compró: a menudo, nuestro Servicio al Consumidor puede ayudar a resolver el problema sin que el producto tenga que ser reparado. Si hace falta una reparación, uno de nuestros representantes puede confirmar si el producto está bajo garantía y dirigirle al servicio post-venta más próximo.

Si fuera el caso, traiga el producto (o envíelo, correctamente franqueado) con la **prueba de compra** que mencione **el número de autorización de devolución** indicado por nuestro Servicio al Consumidor, al servicio post-venta KALORIK más próximo. (Visite nuestra web www.KALORIK.com o llame al Servicio al Consumidor para obtener la dirección del Servicio post-venta KALORIK exclusivo más próximo).

Si envía el producto, le rogamos añadan una carta explicando la naturaleza del defecto.

Si tiene preguntas adicionales, por favor llame al Servicio al Consumidor (véase abajo para los datos completos), de lunes a viernes, de las 9 a las 18 (EST). Note que las horas pueden ser modificadas.

Si quiere escribirnos, puede hacerlo a la dirección siguiente:

KALORIK Servicio al Consumidor

Team International Group of America Inc.
1400 N.W 159th Street, Suite 102
Miami Gardens, FL 33169 USA

O llame gratuitamente (U.S.A.) al +1 888-521-TEAM / +1 888-KALORIK

Las cartas se aceptan solamente en la dirección anteriormente mencionada. Los envíos y paquetes que no tengan número de autorización de devolución serán rechazados.



Fax +32 2 359 95 50

Copies of the I/B. Please reproduce them without any changes except under special instruction from Team International BELGIUM. The pages must be reproduced and folded in order to obtain a booklet A5 (+/- 148.5 mm width x 210 mm height). When folding, make sure you keep the good numbering when you turn the pages of the I/B. Don't change the page numbering. Keep the language integrity. **Print only what is inside the frame.**



(FR) MODE D'EMPLOI

CONSIGNES DE SECURITE

Pour une utilisation sans risques de cet appareil électrique, les consignes de sécurité suivantes doivent être suivies:

Lisez attentivement la notice avant l'utilisation de votre appareil.

- ❑ Avant d'utiliser l'appareil, vérifiez que la tension du réseau correspond bien à celle de l'appareil.
- ❑ Ne laissez jamais votre appareil sans surveillance lorsque celui-ci est en marche. Ne le laissez ni à la portée des enfants ni à la portée de personnes non responsables.
- ❑ Vérifiez de temps en temps si le cordon n'est pas endommagé. N'utilisez pas votre appareil si le cordon ou l'appareil lui-même est endommagé de quelle que façon que ce soit.
- ❑ Utilisez l'appareil uniquement pour des usages domestiques et de la manière indiquée dans la notice.
- ❑ Ne plongez jamais l'appareil dans l'eau ou dans tout autre liquide ni pour son nettoyage ni pour toute autre raison. Ne le mettez jamais au lave vaisselle.
- ❑ N'utilisez pas l'appareil près de sources de chaleur.
- ❑ Si le câble est endommagé, il doit être remplacé par un service de réparation qualifié (*).
- ❑ La prise doit être retirée avant de nettoyer l'appareil.
- ❑ Toute réparation doit être réalisée par un service qualifié compétent (*).
- ❑ Veillez à ne pas utiliser l'appareil à l'extérieur et entreposez-le dans un endroit sec.
- ❑ Ne pas utiliser des accessoires non recommandés par le fabricant, cela peut présenter un danger pour l'utilisateur et risque d'endommager l'appareil.
- ❑ Ne déplacez jamais l'appareil en tirant sur le câble. Veillez à ce que le cordon d'alimentation ne puisse être accidentellement accroché et ce, afin d'éviter toute chute de l'appareil. Évitez d'enrouler le cordon autour de l'appareil et ne le tordez pas.
- ❑ Veillez à poser cet appareil sur une surface de travail stable.
- ❑ Débranchez l'appareil lorsqu'il n'est pas en utilisation.



Fax +32 2 359 95 50

Copies of the I/B. Please reproduce them without any changes except under special instruction from Team International BELGIUM. The pages must be reproduced and folded in order to obtain a booklet A5 (+/- 148.5 mm width x 210 mm height). When folding, make sure you keep the good numbering when you turn the pages of the I/B. Don't change the page numbering. Keep the language integrity. **Print only what is inside the frame.**



- ❑ N'utilisez cette trancheuse que dans le cadre d'applications culinaires. Ne coupez que des aliments tels que fromages, viandes (désossées), pain et préparations. Les aliments gelés (0 – 10°C) peuvent être tranchés, mais pour les aliments surgelés (-18°C et plus), merci de ne pas essayer de trancher des aliments de plus de 4mm d'épaisseur.
- ❑ Ne coupez jamais d'aliments en vous aidant uniquement de vos mains, utilisez toujours le chariot et sa plaque d'appui sauf si ce n'est pas possible à cause de la taille et de la dimension de l'aliment. Prenez garde de ne pas toucher la lame.
- ❑ Ce genre d'appareil ne peut fonctionner de façon continue, il ne s'agit pas d'un appareil de type professionnel. Il est nécessaire d'effectuer des pauses à intervalles réguliers. Consultez la rubrique « Intervalles d'utilisation » du mode d'emploi.
- ❑ La lame de cet appareil est extrêmement coupante, veillez à être extrêmement prudent lors de la manutention de celle-ci particulièrement lors de son nettoyage.
- ❑ Gardez cet appareil propre étant donné qu'il est en contact direct avec la nourriture.
- ❑ Veillez à bien débrancher votre appareil lors du démontage avant nettoyage ou autre.
- ❑ Ne touchez jamais la lame lorsque l'appareil est en fonctionnement, en outre, n'essayez pas d'immobiliser de quelque façon que ce soit le mouvement de la lame.

CONSERVEZ CES INSTRUCTIONS USAGE DOMESTIQUE UNIQUEMENT

INSTRUCTIONS POUR LES FICHES POLARISÉES

Certains appareils ont une prise polarisée (une des deux tiges métalliques est plus longue que l'autre). Pour réduire le risque de choc électrique, cette prise ne peut être introduite que d'une seule façon dans la fiche murale. Si cette prise ne rentre pas correctement dans la fiche, retournez-la. Si elle ne rentre toujours pas, contactez un électricien qualifié et reconnu. **N'essayez jamais de modifier vous-même la prise polarisée.**



Fax +32 2 359 95 50

Copies of the I/B. Please reproduce them without any changes except under special instruction from Team International BELGIUM. The pages must be reproduced and folded in order to obtain a booklet A5 (+/- 148.5 mm width x 210 mm height). When folding, make sure you keep the good numbering when you turn the pages of the I/B. Don't change the page numbering. Keep the language integrity. **Print only what is inside the frame.**



Pour les appareils équipés d'une prise standard, il suffit de brancher la prise dans la fiche murale.

CONSIGNES CONCERNANT LE CORDON

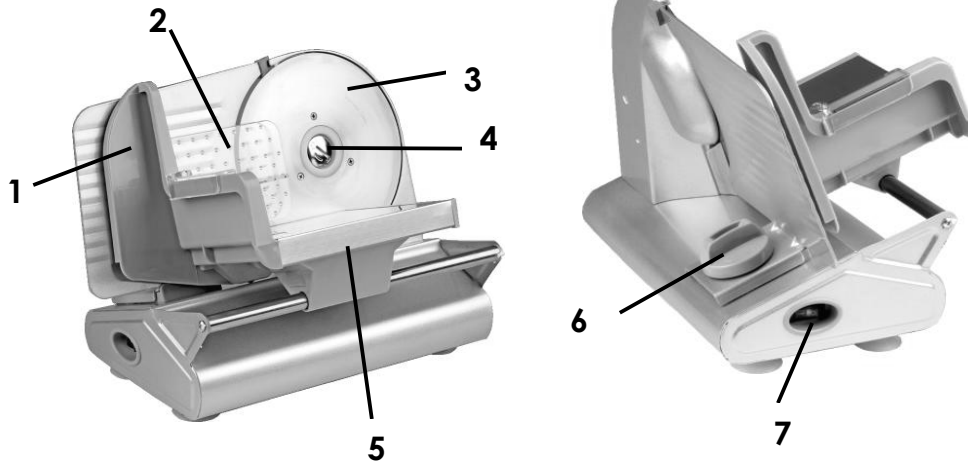
Le cordon d'alimentation de l'appareil est un cordon de type court, et ce afin de diminuer les risques d'accidents (chute si vous marchez sur le cordon...). Vous pouvez toutefois utiliser une rallonge si nécessaire mais:

- Assurez-vous que l'ampérage de la rallonge soit égal ou supérieur à celui de l'appareil. Une rallonge avec un ampérage inférieur à celui de l'appareil risquerait de surchauffer et de brûler.
- La rallonge ne doit pas pendre du plan de travail ou de la table afin d'éviter que les enfants ne le tirent ou trébuchent.

INTERVALLES D'UTILISATION

Cet appareil ne peut être utilisé de façon professionnelle. Vous devez respecter les pauses de fonctionnement. Dans le cas contraire vous risqueriez d'endommager le moteur. Référez-vous à la plaque signalétique de votre appareil pour connaître la durée maximale d'utilisation continue (notée KB xx min. où xx est la durée maximale). Les pauses de fonctionnement doivent durer au moins 10 minutes.

DESCRIPTION



19

USK AS 27222 – AS 29091 - 110127



Fax +32 2 359 95 50

Copies of the I/B. Please reproduce them without any changes except under special instruction from Team International BELGIUM. The pages must be reproduced and folded in order to obtain a booklet A5 (+/- 148.5 mm width x 210 mm height). When folding, make sure you keep the good numbering when you turn the pages of the I/B. Don't change the page numbering. Keep the language integrity. **Print only what is inside the frame.**



1. Protège-pouce
2. Poussoir
3. Lame circulaire
4. Mécanisme de déblocage de la lame
5. Chariot
6. Réglage de l'épaisseur des tranches
7. Interrupteur avec voyant de fonctionnement

COMMENT UTILISER VOTRE TRANCHEUSE

Pour un usage en toute sécurité, votre appareil est livré avec un dispositif complet (chariot (5) équipé d'une protection du pouce (1) et guide (2)) qui permet de protéger vos mains tout en vous procurant un confort d'usage exceptionnel.

Le chariot vous permet de réaliser le mouvement de va et vient le long de la lame pour couper les tranches. Faites usage de sa poignée lors du déplacement.

Le guide vous permet de maintenir les aliments lors de leur découpe en tenant votre main loin du couteau. Pour cette raison, il vous est fortement conseillé de toujours l'utiliser sauf si l'aliment est trop grand et dans ce cas maintenez-le fermement le plus loin possible du couteau.

- Lavez toutes les pièces de votre appareil avant de l'utiliser pour la première fois.
- Posez votre appareil sur une surface plane et stable, puis ajoutez le poussoir (2).
- Réglez l'épaisseur de coupe désirée à l'aide de la poignée tournante (6).
- Branchez l'appareil sur le secteur. Votre trancheuse est à présent prête à être utilisée.
- Eloignez le chariot (5) de la lame, posez les aliments à trancher entre le couteau circulaire (3) et le poussoir.
- Appuyez sur l'interrupteur (7). La lame commencera à tourner.
- Guidez les aliments vers le couteau en poussant le chariot avec votre pouce appuyant sur le protège-doigt (1)). N'appuyez pas trop fort pour obtenir une coupe plus régulière.
- Si la coupe devient plus difficile, éloignez l'aliment à trancher de la lame, et recommencez l'opération en approchant l'aliment à trancher doucement de la lame.



Fax +32 2 359 95 50

Copies of the I/B. Please reproduce them without any changes except under special instruction from Team International BELGIUM. The pages must be reproduced and folded in order to obtain a booklet A5 (+/- 148.5 mm width x 210 mm height). When folding, make sure you keep the good numbering when you turn the pages of the I/B. Don't change the page numbering. Keep the language integrity. **Print only what is inside the frame.**



- Humidifiez le couteau circulaire avant de couper les aliments qui risqueraient de coller à la lame; cela vous assurera une coupe plus facile.
- Utilisez toujours le poussoir lorsque vous coupez de petits morceaux ou des restes d'aliments.
- N'utilisez pas votre trancheuse pour couper la viande avec os, les aliments comprenant de gros noyaux, le rôti en filet, les emballages (par ex. papier aluminium).

RANGEMENT DE L'APPAREIL

Quand l'appareil est hors-utilisation, il est recommandé de tourner le bouton de réglage de l'épaisseur de coupe au minimum. Cette position « 0 » permet à la lame de ne plus affleurer, afin d'éviter tout risque de coupure ou de blessure résultant d'une mauvaise manipulation

NETTOYAGE

- Veuillez retirer la fiche de la prise de courant avant de nettoyer l'appareil.
- Essuyez l'appareil à l'aide de papier absorbant ou d'un chiffon doux. Ne mettez jamais votre appareil dans le lave-vaisselle.
- Ne nettoyez jamais votre appareil (extérieur et intérieur) à l'aide de produits abrasifs car cela abîmerait le revêtement.
- N'immergez pas l'appareil dans l'eau ou tout autre liquide.
- Essuyez bien toutes les pièces avant de ranger l'appareil.

NETTOYAGE COMPLET

- Eteignez et débranchez toujours l'appareil.
- Pour enlever la lame, tournez le dispositif de verrouillage (4) situé au milieu de la lame avec une pièce de monnaie par exemple. Tournez le dispositif de blocage de façon contre-intuitive (**dans le sens des aiguilles d'une montre pour enlever**, dans le sens contraire pour remettre la lame en place).
- Pour remettre en place la lame, procédez de manière inverse.



Fax +32 2 359 95 50

Copies of the I/B. Please reproduce them without any changes except under special instruction from Team International BELGIUM. The pages must be reproduced and folded in order to obtain a booklet A5 (+/- 148.5 mm width x 210 mm height). When folding, make sure you keep the good numbering when you turn the pages of the I/B. Don't change the page numbering. Keep the language integrity. **Print only what is inside the frame.**



- Attention! Soyez prudent lors de la manipulation de la lame. Elle est très coupante et le non-respect de cette consigne pourrait donc entraîner des blessures.

IMPORTANT

Une pâte est appliquée en usine pour garantir une bonne lubrification du moteur lors des premières utilisations. Après avoir utilisé la trancheuse quelques fois, la première fois que vous retirez la lame, vous pouvez retirer l'excédent de pâte lubrifiante ou la laissez en place. Cette pâte est sans danger en cas d'ingestion et n'entre pas en contact avec la nourriture. Aucune lubrification additionnelle n'est nécessaire par la suite.

Un nettoyage normal de la surface de la lame est suffisant pour éviter toute contamination entre les aliments. Un nettoyage complet n'est nécessaire qu'occasionnellement.



Fax +32 2 359 95 50

Copies of the I/B. Please reproduce them without any changes except under special instruction from Team International BELGIUM. The pages must be reproduced and folded in order to obtain a booklet A5 (+/- 148.5 mm width x 210 mm height). When folding, make sure you keep the good numbering when you turn the pages of the I/B. Don't change the page numbering. Keep the language integrity. **Print only what is inside the frame.**



GARANTIE

Nous vous suggérons de remplir et de nous renvoyer rapidement la Carte d'Enregistrement Produit ci-jointe afin de faciliter la vérification de la date d'achat. Cependant, le renvoi de la Carte d'Enregistrement Produit n'est pas une condition indispensable à l'application de la présente garantie. Vous pouvez aussi remplir cette carte de garantie en ligne à l'adresse suivante :

www.KALORIK.com.

A compter de la date d'achat, ce produit KALORIK est garanti un an, sur le territoire des Etats-Unis, contre les défauts matériels et de fabrication. Cette garantie n'est pas transférable. Conservez la preuve d'achat originelle. Une preuve d'achat est exigée pour obtenir l'application de la garantie.

Durant cette période, le produit KALORIK qui, après inspection par KALORIK, s'avère défectueux, sera réparé ou remplacé, au choix de KALORIK, sans frais pour le consommateur. Si un produit de remplacement est envoyé, c'est la garantie restante du produit originel qui s'appliquera.

La présente garantie ne s'applique pas aux défauts dus à une mauvaise utilisation de la part de l'acheteur ou de l'utilisateur, à une négligence, au non-respect des consignes du manuel d'utilisation KALORIK, à une utilisation sur un circuit électrique au voltage différent de celui renseigné sur le produit, à une usure normale, à des modifications ou réparations non autorisées par KALORIK, ou par un usage à des fins commerciales. Il n'existe pas de garantie pour les parties en verre, récipients en verre, filtres, paniers, lames et accessoires en général. Il n'existe également pas de garantie pour les pièces perdues par l'utilisateur.

Toute garantie de valeur commerciale ou d'adaptabilité à ce produit est également limitée à la garantie d'un an.

Certains états ne limitent pas la longueur de la garantie tacite ou n'autorisent pas l'exclusion de dommages-intérêts accessoires ou indirects, les restrictions ci-dessus peuvent donc ne pas s'appliquer à



Fax +32 2 359 95 50

Copies of the I/B. Please reproduce them without any changes except under special instruction from Team International BELGIUM. The pages must be reproduced and folded in order to obtain a booklet A5 (+/- 148.5 mm width x 210 mm height). When folding, make sure you keep the good numbering when you turn the pages of the I/B. Don't change the page numbering. Keep the language integrity. **Print only what is inside the frame.**



vous. Cette garantie vous donne des droits légaux particuliers, et certains droits peuvent varier d'un état à l'autre.

Si l'appareil devait présenter un défaut durant la période de garantie et plus de 30 jours après l'achat, ne ramenez pas l'appareil au magasin : souvent, notre Service Clientèle peut aider à résoudre le problème sans que le produit ne doive être réparé. Si une réparation est nécessaire, un représentant peut confirmer si le produit est sous garantie et vous rediriger vers notre centre de réparation.

Le cas échéant, ramenez le produit (ou envoyez-le, dûment affranchi), ainsi qu'**une preuve d'achat**, en mentionnant **le numéro d'autorisation de retour**, indiqué par notre service clientèle, au service après-vente KALORIK agréé (visitez notre site internet **www.KALORIK.com** ou appelez notre département Service Clientèle pour obtenir l'adresse du service après-vente KALORIK agréé).

Si vous envoyez le produit, veuillez y joindre une lettre expliquant la nature du défaut.

Si vous avez des questions complémentaires, veuillez appeler notre département Service Clientèle (voyez plus bas pour les coordonnées complètes), du lundi au vendredi de 9h à 18h (EST). Veuillez noter que les heures sont sujettes à modification.

Si vous souhaitez nous écrire, adressez votre courrier à:

KALORIK Consumer Service Department

Team International Group of America Inc.
1400 N.W 159th Street, Suite 102
Miami Gardens, FL 33169 USA

Ou appelez (Gratuitement des Etats-Unis): +1 888-521-TEAM ou +1 888-KALORIK.

Seules les lettres seront acceptées à l'adresse ci-dessus. Les envois et colis n'ayant pas de numéro d'autorisation de retour seront refusés.

K110127



Back cover page (last page)

Assembly page 24/24