



Allen-Bradley

API Software for 1746 I/O PCI Interface and 1747-OC Open Controller

1747-OCF, -PCIS

User Manual

**Rockwell
Automation**

Important User Information

Because of the variety of uses for the products described in this publication, those responsible for the application and use of this control equipment must satisfy themselves that all necessary steps have been taken to assure that each application and use meets all performance and safety requirements, including any applicable laws, regulations, codes and standards.

The illustrations, charts, sample programs and layout examples shown in this guide are intended solely for purposes of example. Since there are many variables and requirements associated with any particular installation, Allen-Bradley does not assume responsibility or liability (to include intellectual property liability) for actual use based upon the examples shown in this publication.

Allen-Bradley publication SGI-1.1, *Safety Guidelines for the Application, Installation and Maintenance of Solid-State Control* (available from your local Allen-Bradley office), describes some important differences between solid-state equipment and electromechanical devices that should be taken into consideration when applying products such as those described in this publication.

Reproduction of the contents of this copyrighted publication, in whole or part, without written permission of Rockwell Automation, is prohibited.

Throughout this manual we use notes to make you aware of safety considerations:

ATTENTION



Identifies information about practices or circumstances that can lead to personal injury or death, property damage or economic loss

Attention statements help you to:

- identify a hazard
- avoid a hazard
- recognize the consequences

IMPORTANT

Identifies information that is critical for successful application and understanding of the product.

European Communities (EC) Directive Compliance

If this product has the CE mark it is approved for installation within the European Union and EEA regions. It has been designed and tested to meet the following directives.

EMC Directive

This product is tested to meet the Council Directive 89/336/EC Electromagnetic Compatibility (EMC) by applying the following standards, in whole or in part, documented in a technical construction file:

- EN 50081-2 EMC — Generic Emission Standard, Part 2 — Industrial Environment
- EN 50082-2 EMC — Generic Immunity Standard, Part 2 — Industrial Environment

This product is intended for use in an industrial environment.

Low Voltage Directive

This product is tested to meet Council Directive 73/23/EEC Low Voltage, by applying the safety requirements of EN 61131-2 Programmable Controllers, Part 2 - Equipment Requirements and Tests. For specific information required by EN 61131-2, see the appropriate sections in this publication, as well as the Allen-Bradley publication Industrial Automation Wiring and Grounding Guidelines For Noise Immunity, publication 1770-4.1.

This equipment is classified as open equipment and must be mounted in an enclosure during operation to provide safety protection.

Who Should Use this Manual

Use this manual if you are responsible for developing control applications using the 1746 I/O PCI Interface API (application programming interface) software or Open Controller API software in an MS-DOS or Windows NT environment.

This manual documents the 1746 I/O PCI Interface API and Open Controller API software packages for DOS and Windows NT. The APIs use most of the same calls. Differences are noted as appropriate.

Terminology

Throughout the language of this document, we refer to the 1746 I/O PCI Interface card (1747-PCIS) as the scanner and the 1747-PCIL chassis interface module as the adapter. We also refer to the open controller (1747-OCF) as a scanner.

There are two versions of the PCI Bus Interface Card. 1747-PCIS has a 256k memory capacity and the 1747-PCIS2 has a 1M capacity.

Reference Material

The following books might be useful as you develop your 1746 I/O PCI Interface applications:

This document:	Written by:	Has this ISBN number:
PC System Architecture Series PCI System Architecture	MindShare, Inc. Addison-Wesley Publishing Company	ISBN: 0-201-40993-3
PCI Hardware and Software Architecture and Design	Edward Solari and George Willse	ISBN: 0-929392-28-0

In addition to the books listed above, the following books might be useful as you develop your 1746 I/O PCI Interface applications:

This document:	By:	Has this ISBN number:
PC System Architecture Series ISA System Architecture	MindShare, Inc. Addison-Wesley Publishing Company	ISBN: 0-201-40996-8
PC System Architecture Series ISA System Architecture	MindShare, Inc. Addison-Wesley Publishing Company	ISBN: 0-201-40991-7
The PCMCIA Developer's Guide	Michael T. Mori and W. Dean Welder	ISBN: 0-9640342-1-2

Additional Open Controller Documentation

The following documents are available for additional information about the open controller and its options.

This document:	Has this publication:
1747 Open Controller PCI Expansion Bus Installation Instructions	1747-5.16
1747 Open Controller PCMCIA Interface Module Installation Instructions	1747-5.13
1747 Open Controller A-B Communication Interface Module Installation Instructions	1747-5.14
1747 Open Controller Video Interface Module Installation Instructions	1747-5.15
1747 Open Controller A-B Communication Interface Module User Manual	1747-6.18
1747 Open Controller IDE Interface Module for IDE-Compatible ATA Devices (PCCards) Installation Instructions	1747-5.29
1747 Open Controller IDE Interface Module for an Internally-Mounted 2.5" IDE Drive Installation Instructions	1747-5.30

Each open controller component ships with installation instructions. The user manuals are part of the open controller documentation set (catalog number 1747-OCDOC1) so you can order as many copies as you need. The documentation set includes one copy of each open controller document (as listed above).

In addition to the above documentation, the:

- 1747-OCVGA1 video interface module and the 1747-OCVGAE video and Ethernet interface module include a disk with documentation for the video drivers
- 1747-OCPCM2 PCMCIA interface module kit (1747-OCPCM1 interface module plus CardSoft™ for DOS) includes a disk with CardSoft documentation.

Support

Due to the PC-based architecture of the 1746 I/O PCI Interface and open controller, the telephone support provided with the purchase price of either product consists primarily of determining if the system software and hardware is operating within documented specifications. The tools for this support are:

- diagnostic utility disks that ship with the 1746 I/O PCI Interface and open controller
- system diagnostic LEDs for 1746 I/O PCI Interface and open controller

The diagnostic utility disk uses the DOS API as its programming interface, which provides examples of how to use the API. The diagnostic utility disk is a good tool to help diagnose your API application software. See appendix B for more information.

When you purchase either product (1746 I/O PCI Interface system or open controller system), you also receive firmware upgrades during the 12-month warranty period.

You can purchase extended support in blocks of 5 hours by ordering support contracts (1747-OCTS).

Overview	Chapter 1	
	Introduction	1-1
	Relationship to the Open Controller.	1-1
	Interface API to the Scanner	1-2
	API Software for DOS	1-2
	API Software for Windows NT	1-3
	Understanding the 1746 I/O PCI Interface Architecture.	1-4
	Understanding the Open Controller Architecture	1-4
	Common Attributes of the 1746 I/O PCI Interface and 1747	
	Open Controller Architectures	1-5
	Scanner Modes	1-6
	Checking LED Indicators	1-7
	STATUS.	1-7
	Installing the DOS API	1-8
	Installing the Windows NT API	1-8
	Installation Details	1-9
	Uninstalling the Windows NT API.	1-10
Using the API	Chapter 2	
	Introduction	2-1
	Getting Started	2-1
	Programming Conventions	2-2
	DOS Considerations.	2-2
	Windows NT Considerations	2-3
	Tools to Use	2-4
	Sample DOS MAKE file for Borland compilers.	2-4
	Sample DOS MAKE file for Microsoft compilers.	2-5
	Sample Windows NT MAKE file for Microsoft compilers	2-6
	Sample Windows NT MAKE file for Borland compilers .	2-8
Developing Applications	Chapter 3	
	Introduction	3-1
	How the API Functions Are Organized.	3-1
	Programming Sequence.	3-1
	Access the scanner.	3-2
	Initialize the scanner	3-2
	Configure the scanner	3-3
	Control scanner operation	3-4
	Scan I/O	3-4
	Programming Example for DOS.	3-5
	Programming Example for Windows NT	3-11
Handling Interrupt Messages	3-17	
Handling Errors.	3-17	
Determining Partition Sizes for Shared Memory	3-18	

	Chapter 4	
Using the API Structures	Introduction	4-1
	API Structures	4-1
	Chapter 5	
Configuring I/O Modules	Introduction	5-1
	Configuring I/O	5-1
	Using M0-M1 Files and G Files.	5-3
	M0-M1 files	5-3
	G files	5-3
	Supported I/O Modules.	5-4
	Chapter 6	
Library of Routines	Introduction	6-1
	OC_CalculateCRC	6-1
	OC_ClearFault.	6-2
	OC_CloseScanner	6-3
	OC_ConfigureDII	6-4
	OC_CreateIOConfiguration	6-6
	OC_DemandInputScan	6-7
	OC_DemandOutputScan	6-8
	OC_DownloadIOConfiguration	6-9
	OC_EnableEOSNotify	6-10
	OC_EnableForces	6-12
	OC_EnableSlot	6-13
	OC_ErrorMsg	6-14
	OC_ExtendedErrorMsg	6-15
	OC_GetBatteryStatus	6-17
	OC_GetDeviceInfo	6-18
	OC_GetExtendedError.	6-19
	OC_GetInputImageUpdateCounter.	6-20
	OC_GetIOConfiguration	6-21
	OC_GetLastFaultCause	6-22
	OC_GetMeasuredScan Time.	6-24
	OC_GetResetCause	6-25
	OC_GetScannerInitInfo	6-26
	OC_GetScannerStatus	6-27
	OC_GetScannerWatchdogCount.	6-29
	OC_GetStatusFile	6-30
	OC_GetSwitchPosition.	6-34
	OC_GetTemperature	6-35
	OC_GetUserJumperState	6-36
	OC_GetUserLEDState	6-37
	OC_GetVersionInfo.	6-38
	OC_InitScanner.	6-39

OC_OpenScanner	6-41
OC_PetHostWatchdog	6-43
OC_PollScanner	6-44
OC_ReadHostRetentiveData	6-46
OC_ReadInputImage	6-47
OC_ReadIOConfigFile	6-49
OC_ReadModuleFile	6-50
OC_ReadOutputImage	6-51
OC_ReadSRAM	6-52
OC_ResetScanner	6-54
OC_SetForces	6-55
OC_SetHostWatchdog	6-56
OC_SetInputUpdateMode	6-58
OC_SetIOIdleState	6-59
OC_SetModuleInterrupt	6-60
OC_SetOutputUpdateMode	6-61
OC_SetScanMode	6-63
OC_SetScanTime	6-64
OC_SetUserLEDState	6-65
OC_SetupPowerFailAction	6-66
OC_WaitForDII	6-68
OC_WaitForEos	6-69
OC_WaitForEosDmdIn	6-70
OC_WaitForEosDmdOut	6-71
OC_WaitForExtError	6-73
OC_WaitForIoInt	6-74
OC_WriteHostRetentiveData	6-75
OC_WriteIOConfigFile	6-76
OC_WriteModuleFile	6-77
OC_WriteOutputImage	6-78
OC_WriteSRAM	6-80

Appendix A

Error Codes

Introduction	A-1
Error Code Returned by API Functions	A-1
Extended Error Codes	A-2

Appendix B

Testing Function Calls

Introduction	B-1
------------------------	-----

Appendix C

Header File

Introduction	C-1
DOS Header File	C-1
Windows NT Header File	C-10

Overview

Introduction

This chapter provides an overview of the 1746 I/O PCI Interface and the API software. This chapter also describes how to install the API.

You should have one of the following APIs:

- API for DOS (catalog number 1747-PCIDOS or 1747-OCAPID)
- API for Windows NT (catalog number 1747-PCINT or 1747-OCAPINT)

The API software license agreement allows you to freely distribute the executable.

Relationship to the Open Controller

The API software for the 1746 I/O PCI Interface is compatible with the API for the 1747 Open Controller. The sample code and header files contain comments and functions that are supported by the Open Controller but not supported by the 1746 I/O PCI Interface. The following table lists the differences between the 1747-OCF Open Controller and the 1746 I/O PCI Interface.

Open Controller (1747-OCF)	1746 I/O PCI Interface (1746-PCIS)
Watchdog can reset the entire system.	Watchdog cannot reset entire system.
API function call OC_GetResetCause returns reason scanner was reset	No function call OC_GetResetCause because the watchdog cannot reset the entire system
Dual-port memory not battery-backed	Jumper to enable battery-backup for the dual-port memory

IMPORTANT

All references to Open Controller in the example code or header files apply to the 1746 I/O PCI Interface.

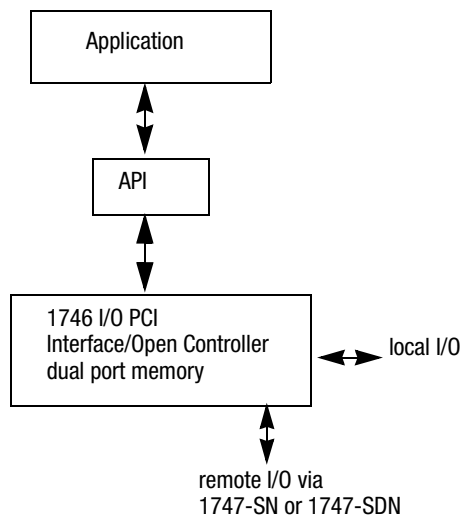
Interface API to the Scanner

You must develop a software interface between your application and a scanner to control local I/O and to control remote I/O via the 1747-SN or 1747-SDN scanners. Develop a software interface in one of the following methods:

- Use the 1746 I/O PCI Interface API to develop the interface between your application and the 1746 I/O PCI Interface scanner.
- Use the API for 1747 Open Controller to develop the interface between your application and the 1747 Open Controller.

In either application type (1746 I/O PCI Interface or 1747 Open Controller), the API provides calls for typical control functions, such as:

- configuring I/O files
- initializing the scanner
- accessing the user LEDs, user jumper, and 3-position switch
- reading 1746 I/O PCI Interface status
- enabling/disabling forces



API Software for DOS

The DOS API software provides a library of C function calls for DOS application programs to interface with the dual port memory. The DOS API supports any language compiler that uses the Pascal calling convention.

API Software for Windows NT

The Windows NT API supports any programming languages that use the Win32 _stdcall calling convention for application interface functions. The Windows NT API function names are exported from a DLL in undecorated format to simplify access from other programming languages.

The Windows NT API software consists of two main components:

- the OCdriver (depending on your application, either 1746 I/O PCI Interface device driver or Open Controller device driver)
- the API library, which is a DLL (dynamically-linked library)

The Windows NT API library is a DLL and must be installed on the system in order to run an application which uses it. The Windows NT API accesses the scanner via the driver created for the bus interface. The driver:

- allocates resources (interrupt and memory window)
- initializes scanner hardware
- provides access to the scanner's dual port RAM
- services interrupts from the scanner (priority messages)
- provides access to SRAM

IMPORTANT

Only access the OCdriver through the API library functions.

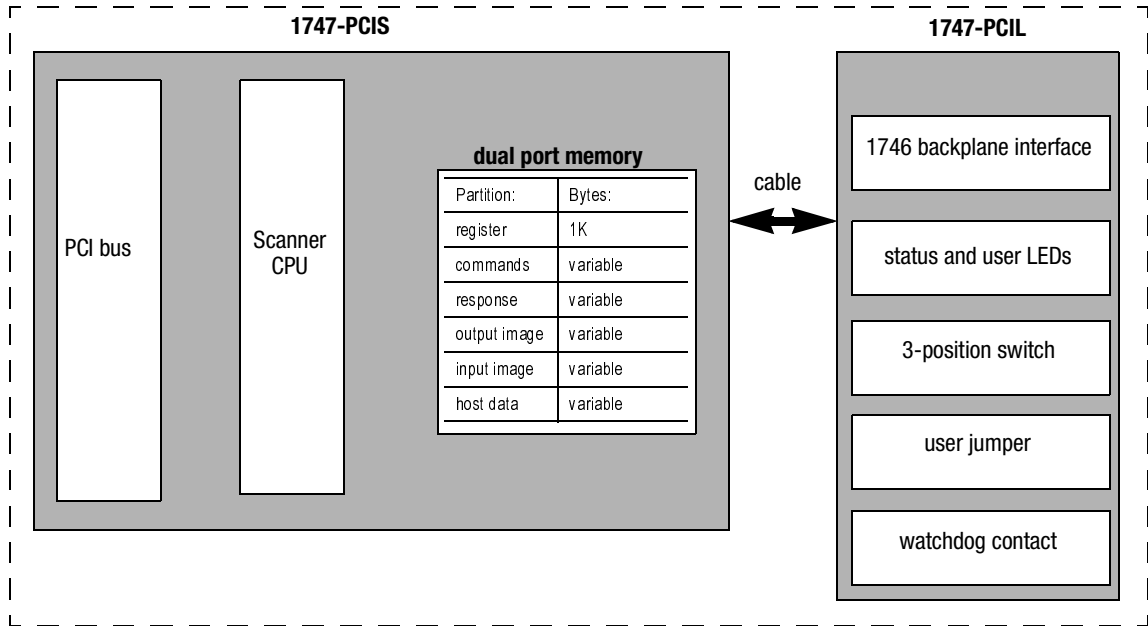
When the OCdriver is loaded it tries to allocate an interrupt and a memory window for the memory and interrupt that were allocated using the settings by the PCI bus at power-up for the dual port RAM.

If IRQ 11 and address 0xC8000 are not available (i.e., another device already allocated the resource), OCdriver tries to allocate any resource for which the scanner hardware can be configured (IRQ 10, 12, and 15; memory address 0xCA000 - 0xDE000). OCdriver fails to load if an interrupt and memory window cannot be allocated.

Once an interrupt and memory window are allocated, OCdriver initializes the scanner hardware to match the allocated resources.

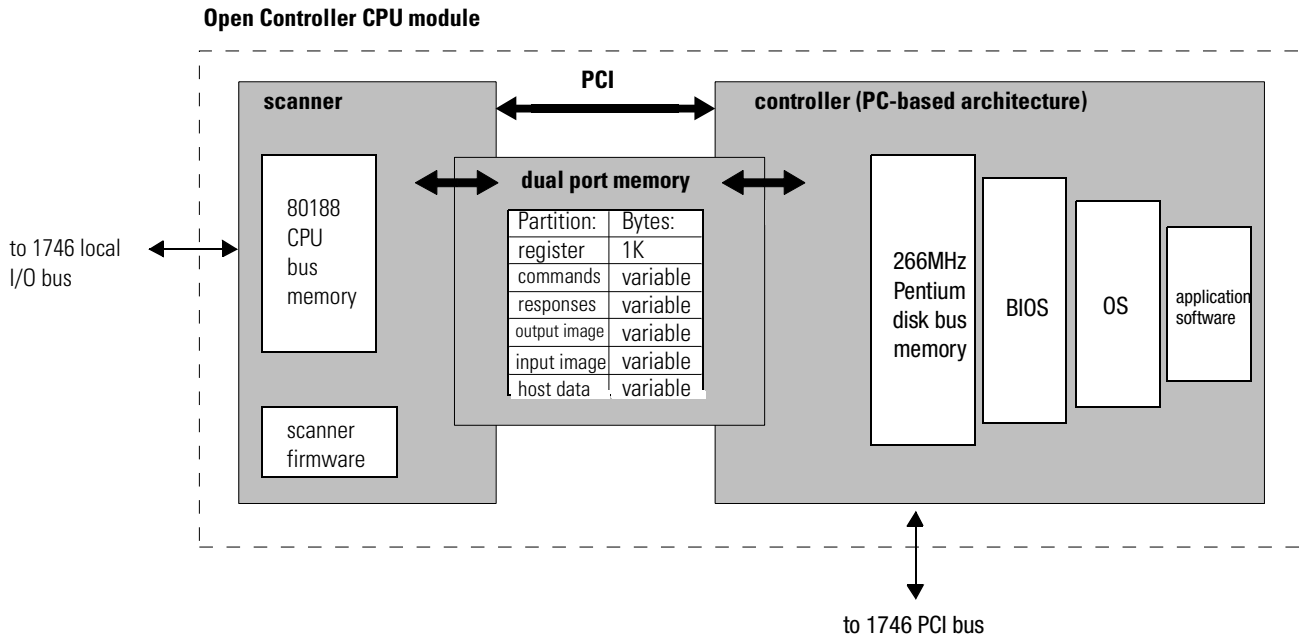
Understanding the 1746 I/O PCI Interface Architecture

The 1746 I/O PCI Interface architecture consists of a PCI card that plugs into a PC and cables to a 1746 I/O chassis. The scanner scans the 1746 local I/O bus and reads/writes inputs and outputs to/from the dual port registers.



Understanding the Open Controller Architecture

The open controller architecture consists of two CPUs (scanner and controller) that share dual-port memory. The scanner scans the 1746 local I/O bus and reads/writes inputs and outputs to/from the dual-port registers. The controller has a PC-based architecture with a 266MHz Pentium to run your application software.



Common Attributes of the 1746 I/O PCI Interface and 1747 Open Controller Architectures

The functionality described in the rest of this chapter is shared by both architectures, 1746 I/O PCI Interface and 1747 Open Controller.

The dual port is an 8K byte memory partition (optionally battery-backed) that provides an interface between the integrated scanner and your application software that resides on the host.

IMPORTANT

On the **1747-PCIS only**, the jumper for the battery-backup dual-port memory is disabled by default. You must switch the jumper to enable the battery-backup feature.

The 1747-OCF dual port is NOT battery-backed.

Your application (the code you develop using the API) uses the dual port memory to communicate with the scanner to handle control functions on the 1746 backplane, such as:

- scanner commands and responses
- battery and scanner status
- scan rate frequency and timing
- I/O image counters
- priority messages and interrupts
- semaphores to ensure data integrity
- software-generated watchdogs
- control of the 4 user-definable LEDs, the 2-position jumper, and the 3-position switch

The scanner functionality of the dual port supports I/O control functions, such as:

- synchronizing scans to the application
- forcing I/O
- defining discrete-input interrupts
- defining I/O module-driven interrupts (such as for the 1746-BAS module)
- enabling and disabling I/O slots
- resetting I/O

In addition to providing access to the control scanner, the dual port memory also provides non-volatile (optional battery-backed) storage for:

- I/O values
- application parameters (timers, counters, presets)

Scanner Modes

In both application types, the scanner CPU operates in six basic modes:

- performing POST (power-on self test)
- waiting for host initialization
- Idle
- Scan
- Faulted
- non-recoverable fault

After the scanner successfully completes the POST, the scanner waits for an initialization complete command from the application. Once the scanner receives this command, the scanner enters Idle mode.

Before the scanner can enter Scan mode, the application must download a valid I/O configuration to the scanner.

If a recoverable fault occurs, the scanner enters Faulted mode. Use the `OC_ClearFault` API function to clear the fault before the scanner can resume operating in Scan mode.

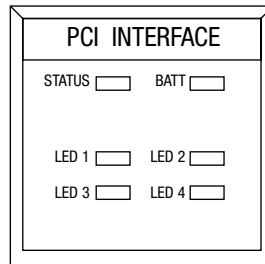
If a non-recoverable fault occurs, reset the scanner (cycle power). Some possible non-recoverable faults include:

- POST failure
- background diagnostic failure
- internal watchdog timeout

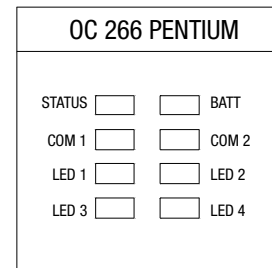
Checking LED Indicators

The graphics below show LED displays.

1746 PCI I/O Interface



1747 Open Controller



STATUS

The STATUS indicator reports the status of the scanner. The following table lists the LED states for STATUS:

This state:	Means:	Take this action:
Yellow	The scanner is running POST.	None
Flashing green	The scanner is in idle mode and is not scanning I/O.	None
Solid green	The scanner is scanning I/O.	None
Flashing red	An I/O fault has occurred.	Check software to identify fault condition.
Solid red	A scanner internal fault has occurred.	Power system off and back on. If the problem persists, service may be required.
Off	The adapter is not powered up.	Turn on power.

Installing the DOS API

To install the DOS API, copy the following files to a directory you create. The sample code files are optional, but they show how to use the API functions.

This file:	Contains:
ocapil.lib	API functions that you link to your application
ocapi.h	API header file that contains API-referenced structures
sample.c	Sample application program calling the API functions
sampleb.mak	Sample make file for the Borland C compiler
samplem.mak	Sample make file for the Microsoft C compiler

Installing the Windows NT API

To install the Windows NT API, use the setup utility:

TIP

It is recommended that you exit all applications before starting the setup process.



1. Copy the contents of the API diskette to a temporary directory on the open controller's disk drive. (This step is not necessary if a local diskette drive is connected.) The device driver file is OCdriver.sys.
2. Select Run from the startup menu, then select the setup.exe program from the temporary directory.
3. Click on OK to execute the setup utility. Follow the displayed instructions. Click on Continue.
4. The next dialog lets you choose whether to install the API executable alone (Runtime) or the API executable and the development files (Runtime and & Development). To develop applications with the API, you need the development files. To only run applications, the development files are not necessary. The development files consist of an include file, import library, and sample code.

IMPORTANT

Runtime files may only be installed on a Windows NT system. However, the development files may be installed on either Windows NT or Windows 95 systems.

Choose the appropriate installation option and click on Next.

5. Click on Continue.
6. If the development files were selected in the last dialog, the next dialog allows a destination directory to be specified. Click on Continue after you select the directory.
7. The necessary files are copied to the disk, and the system registry is updated to include the OCdriver information.
8. Press OK to exit the setup utility. The contents of the temporary directory can now be deleted.

IMPORTANT

You must shutdown and reboot the scanner before using the API. (The setup utility sets the registry Start parameter for OCdriver to Automatic; therefore, the service manager starts the OCdriver when the system is booted.)

The Windows NT API uses these files:

This file:	Contains:
ocapi.lib	Import library in Microsoft COFF format
ocapi.h	API header file that contains API-referenced structures
ocapi.dll	API DLL
sample.c	Sample application program calling the API functions
sampleb.mak	Sample make file for the Borland C compiler
samplem.mak	Sample make file for the Microsoft C compiler

Installation Details

This section describes the actions the setup utility performs to install the API and OCdriver.

If you select Runtime (Complete), the setup utility:

1. copies the device driver file, `ocdriver`, to the system device driver directory (`%SystemRoot%\system32\drivers`).

2. adds this key and these values to the system registry:

```
HKEY_LOCAL_MACHINE\SYSTEM\CurrentControlSet\Services
  OCdriver
  ErrorControl: REG_DWORD 0x1
  Group: REG_SZ Extended base
  Start: REG_DWORD 0x2
  Type: REG_DWORD 0x1
HKEY_LOCAL_MACHINE\SYSTEM\CurrentControlSet\Services
  Drivers\ OCdriver
  EventMessageFile=
REG_EXPAND_SZ%SystemRoot%\System32\Drivers\OCdriver.sys
TypesSupported= REG_DWORD 0X00000007
```

3. copies the library file, `OCapi.dll`, to the `%SystemRoot%\system32` directory.

If you select Runtime & Development, the setup utility performs the same steps as for Runtime only and the setup utility copies `ocapi.lib`, `ocapi.h`, and the sample source files to a development directory.

If you want to develop your application on a computer other than the open controller, copy the `ocapi.lib` and `ocapi.h` files to the development computer (do not run the setup utility on the development computer). You won't be able to run your application on the development computer. The runtime API only works on an open controller.

Uninstalling the Windows NT API

To uninstall Windows NT API, use the following instructions.

1. From the Control Panel, select Add/Remove Programs.
2. From the list of installed programs, select Open Control API.
3. Click on Add/Remove.
4. Click on Yes.

All of the API files and registry keys will be deleted.

Using the API

Introduction

This chapter describes the API and how to use its components. For more information about developing applications using the API, see chapter 3.

Getting Started

To use the API, make sure you have copied the following files to your development directories. The sample files are optional.

This file:	Contains:
ocapi.lib	API functions that you link to your application (DOS only)
ocapi.lib	Import library in Microsoft COFF format (Windows NT only)
ocapi.h	API header file that contains API-referenced structures
ocapi.dll	API DLL (Windows NT only)
sample.c	Sample application program calling the API functions
sampleb.mak	Sample MAKE file for the Borland C compiler
samplem.mak	Sample MAKE file for the Microsoft C compiler

Your application must link to the appropriate library (`ocapi1.lib` for DOS or `ocapi.lib` for Windows NT) and include `ocapi.h`. You can copy the sample files and adapt them for your application.

Programming Conventions

The API is supplied as an object code library file [DOS (`ocapi1.lib`)] or a DLL [NT (`ocapi.dll`)] that you link with the host application's object code using commercially-available tools.

This convention:	Considerations:
calling convention	The DOS API functions are specified using the C programming language syntax. To allow you to develop control applications in other programming languages, the API functions use the standard Pascal calling convention. The Windows NT API supports any programming languages that use the Win32_stdcall calling convention for application interface functions. The Windows NT API function names are exported from the DLL in undecorated format to simplify access from other programming languages.
header files	The API includes a header file (<code>ocapi.h</code>) that contains API function declarations, data structure definitions, and other constant definitions. The header file is in standard C format.
sample code	The API comes with sample files to provide an example application that communicates with the scanner. The sample files include all source files and MAKE files required to build the sample application.
compiler support	The DOS API is supplied in the large memory model, compatible with both Microsoft and Borland compilers. The DOS library (<code>ocapi1.lib</code>) is compiled as a 16-bit MS-DOS library using the 80386 instruction set. The Windows NT library (<code>ocapi.dll</code>) is compiled for use with Microsoft Visual C++ or Borland C++.

DOS Considerations

The DOS API is as consistent as possible with APIs for other operating system platforms. This makes it easier for you to migrate applications and it simplifies support. To create a consistent API, careful consideration was given to these requirements:

This requirement:	Considerations:
memory mapping	The dual port RAM, or shared memory, is mapped automatically at power-up by the PCI bus in the host processor's memory address space on any even 8K boundary between 0xC0000 and 0xDFFFF. For MS-DOS, it is important that any installed memory managers (such as EMM386) or other TSR software avoid accessing the 8K dual port memory window. Place the base memory select jumper in 1M position to allow the PCI BIOS to assign a base memory address.
DOS interrupts	An interrupt is automatically assigned to the scanner by the PCI bus at power-up.
control-break handler	Because communication with the scanner requires memory and interrupt resources (as described above), improper termination of the host application can leave these resources allocated by the scanner and unusable by other applications. For this reason the API includes a default control-break handler. The default control-break handler is installed by <code>OC_OpenScanner</code> . If you press a [Ctrl-C] or [Ctrl-Break] key sequence, the following prompt is displayed: Terminate Application? (Y/N) _ A response of Y properly exits the application; a response of N causes the application to continue. If you need a different control-break handler, you must install it after calling the <code>OC_OpenScanner</code> function. Always call the <code>OC_CloseScanner</code> function before exiting an application.

Windows NT Considerations

During development, the application must be linked with an import library that provides information about the functions contained within the DLL. The API import library is compatible with the Microsoft linker. You can generate import libraries for other programming languages from the DLL.

The Windows NT API can only be accessed by one process at a time. The API is designed to be multi-thread safe, so that multi-threaded control applications can be developed. Where necessary, the API functions acquire a mutex before accessing the scanner interface. In this way, access to the scanner device is serialized. If the mutex is in use by another thread, a thread will be blocked until it is freed.

To create a consistent API, careful consideration was given to these requirements::

This requirement:	Considerations:
memory mapping	<p>The NT API device driver detects the Scanner Adapter and automatically configures the memory window address and interrupt assignment. The base memory address jumper must be positioned to choose 32 bit addressing. The API and device driver must be installed on the system.</p> <p>Place the base memory select jumper in 32-bit position to allow the PCI BIOS to assign a base memory address anywhere in 32-bit memory for protected-mode applications (WinNT). NT device drivers (1747-PCINT) use the PCI BIOS or OS services to determine the memory window base address and provide access to the dual port memory.</p> <ul style="list-style-type: none"> • To determine the allocated memory base address and interrupt, run the Windows NT diagnostic found in Administrative Tools.
NT interrupts	<p>An interrupt is automatically assigned to the scanner by the PCI bus at power-up</p> <ul style="list-style-type: none"> • To determine the allocated memory base address and interrupt, run the Windows NT diagnostic found in Administrative Tools.

A group of thread-blocking functions are provided to aid multi-threaded application development. The functions are:

- OC_WaitForDII
- OC_WaitForEos
- OC_WaitForEosDmdOut
- OC_WaitForIoInt
- OC_WaitForDmdIn
- OC_WaitForExtError

For more information, see chapter 6.

Tools to Use

The API functions support both Microsoft and Borland C compilers. The API disk includes sample MAKE files for each compiler.

When you use the DOS API and link to `ocapil.lib`, use the appropriate command-line switch to select the large memory model. For more information, see your user manual for your compiler.

If you plan to use a programming language other than C, make sure the programming language follows the appropriate calling convention (Pascal for the DOS API; Win32 `_stdcall` for Windows NT). After you write your application, use your compiler to link to `ocapil.lib` (DOS) or `ocapi.lib` (Windows NT).

The follow pages offer sample MAKE files for DOS and Windows NT systems on Microsoft and Borland compilers.

Sample DOS MAKE file for Borland compilers

The following sample file shows how to use a Borland MAKE file. The bold headings indicate the statements you need to modify for your environment.

```

#*****
#
# Title: Makefile for Open Controller API Sample
#
# Abstract:
# This file is used by the Borland MAKE utility to build the
# sample application.
#
# Environment:
# 1747-OCE Open Controller
# MS-DOS
# Borland C/C++ Compiler (16-bit)#
#*****
#
# Paths to Tools
#
# Note: Modify the following paths to
# correspond to your environment.
#
#-----
CPATH = D:\BC5 # Location of Borland tools
CC = $(CPATH)\bin\Bcc # compiler
LINK = $(CPATH)\bin\TLink # linker
MAKE = $(CPATH)\bin\Make # make utility
#-----
# Path to API Library and Include file
#
# Note: Modify the following path to
# correspond to your environment.
#
#-----
APILIB = ..\ocapil.lib # Path to Open Controller API library

```

```

APIINC = ..                                # Path to Open Controller API include file

#-----
# Options
#-----
CFLAGS = -c -v- -w -ml -I$(APIINC)
LFLAGS = -v- -Tde -d -c

sample.exe : sample.obj $(APILIB) sampleb.mak
             $(LINK) $(LFLAGS) c01 sample.obj, $*.exe, $*.map, $(APILIB) cl

clean:
    del *.exe
    del *.obj
    del *.map

rebuild:
    $(MAKE) clean
    $(MAKE)
.c.obj:
    $(CC) $(CFLAGS) $*.c

sample.obj: sample.c $(APIINC)\ocapi.h
sampleb.mak

```

Sample DOS MAKE file for Microsoft compilers

The following sample file shows how to use a Microsoft MAKE file. The bold headings indicate the statements you need to modify for your environment.

```

*****
# Title: Makefile for Open Controller API Sample
#
# Abstract:
#   This file is used by the Microsoft NMake utility to build the
#   sample application.
#
# Environment:
#   1747-OCE Open Controller
#   MS-DOS
#   Microsoft C/C++ Compiler (16-bit)
*****

#-----
# Note: The environment variables LIB and
# INCLUDE must be set to the path to the
# Microsoft C library and include files.
# For example:
#
#   set LIB=D:\MSVC15\LIB
#   set INCLUDE=D:\MSVC15\INCLUDE
#-----

# Paths to Tools
#
# Note: Modify the following paths to
# correspond to your environment.
#-----
CPATH = D:\MSVC15                # Location of Microsoft tools
CC    = $(CPATH)\bin\cl          # compiler
LINK  = $(CPATH)\bin\link       # linker
MAKE  = $(CPATH)\bin\nmake      # make utility
#-----
# Path to API Library and Include file

```

```

#
# Note: Modify the following path to
# correspond to your environment.
#
#-----
APILIB = ..ocapil.lib          # Path to Open Controller API library
APIINC = ..                    # Path to Open Controller API include file

#-----
# Options
#-----
CFLAGS = /c /nologo /G3 /W3 /AL /Oi /D /Gx- /I $(APIINC)
LFLAGS = /MAP:A /NOI /PACKC

sample.exe : sample.obj $(APILIB) samplem.mak
$(LINK) $(LFLAGS) sample.obj, $*.exe, $*.map, $(APILIB), nul.def

clean:
del *.exe
del *.obj
del *.map

rebuild:
$(MAKE) -f samplem.mak clean
$(MAKE) -f samplem.mak

.c.obj:
$(CC) $(CFLAGS) $*.c

sample.obj: sample.c $(APIINC)\ocapi.h
samplem.mak

```

Sample Windows NT MAKE file for Microsoft compilers

The following sample file shows how to use a Microsoft MAKE file. The bold headings indicate the statements you need to modify for your environment.

```

#*****
#   Title: Makefile for Open Controller NT API Sample
#
#   Abstract:
#       This file is used by the Microsoft NMake utility to build the
#       sample application.
#
#   Environment:
#       1747-OCE Open Controller
#       Microsoft Windows NT 4.0
#       Microsoft Visual C++
#
#       (c)Copyright Allen-Bradley
#
#*****

#-----
# Note: The environment variable LIB
# must be set to the path to the
# Microsoft C library files.
# For example:
#
#   set LIB=D:\MSDEV\LIB
#
#-----

```

```

# Paths to Tools
#
# Note: Modify the following paths to
# correspond to your environment.
#
#-----
CPATH   = D:\MSDEV                # Location of Microsoft tools
CC      = $(CPATH)\bin\cl         # compiler
LINK    = $(CPATH)\bin\link      # linker
MAKE    = $(CPATH)\bin\nmake     # make utility

#-----
# Path to API Library and Include file
#
# Note: Modify the following paths to
# correspond to your environment.
#
#-----
APILIB  = ..\api\lib\ocapi.lib    # Path to Open Controller API library
APIINC  = ..\api\include         # Path to Open Controller API include file

#-----
# Compiler/Linker Debugging Options
# (Define DEBUG for debugging.)
#-----
#ifdef DEBUG
CDEBUG  = -Zi -Od
LDEBUG  = -debug:full -debugtype:cv
#else
CDEBUG  = -Ox
LDEBUG  = /RELEASE
#endif

#-----
# Compiler Options
#
# -W3    Turn on warnings
# -GB    Optimize code for 80486/Pentium
# -MT    Use Multithreaded runtime lib
#
#-----
CFLAGS  = -W3 -GB -MT \
          -I$(APIINC) -I$(CPATH)\include

#-----
# Linker Options
#
#-----
LFLAGS  = /NODEFAULTLIB /SUBSYSTEM:CONSOLE \
          /INCREMENTAL:NO /PDB:NONE

#-----
# Libraries
#
# libcmt  Multithreaded C runtime
# kernel32 Base system lib
#
#-----
LIBS    = libcmt.lib kernel32.lib

#-----
# Final target

```

```

#-----
sample.exe : sample.obj $(APILIB)
            $(LINK) @<<
$(LDEBUG) $(LFLAGS) $(LIBS) $**
<<
    @echo Finished

clean:
    del *.exe
    del *.obj
    del *.map

rebuild:
    $(MAKE) -f samplem.mak clean
    $(MAKE) -f samplem.mak

#-----
# Intermediate target rules
#-----
.c.obj:
    $(CC) @<<
/c $(CDEBUG) $(CFLAGS) $*.c
<<

#-----
# Intermediate target dependancies
#-----

sample.obj: sample.c $(APIINC)\ocapi.h
samplem.mak

```

Sample Windows NT MAKE file for Borland compilers

The following sample file shows how to use a Borland MAKE file. The bold headings indicate the statements you need to modify for your environment.

```

#*****
#
# Title: Makefile for Open Controller API Sample
#
# Abstract:
# This file is used by the Borland MAKE utility to build the
# sample application.
#
# Environment:
# 1747-OCE Open Controller
# Microsoft Windows NT 4.0
# Borland C++ Compiler
#
# (c)Copyright Allen-Bradley
#
#*****
#-----
# Paths to Tools
#
# Note: Modify the following paths to

```

```

# correspond to your environment.
#
#-----
CPATH    = D:\BC5                # Location of Borland tools
CC       = $(CPATH)\bin\Bcc32    # compiler
LINK     = $(CPATH)\bin\TLink32  # linker
MAKE     = $(CPATH)\bin\Make     # make utility

#-----
# Path to API Library and Include file
#
# Note: Modify the following path to
# correspond to your environment.
#
#-----
APIDL    = ..\api\lib\ocapi.dll   # Path to Open Controller API library
APIINC   = ..\api\include        # Path to Open Controller API include file
APILIB   = ..\ocapi.lib          # Borland compatible import library

#-----
# Options
#-----
CFLAGS   = -c -v -4 -tWM -w -I$(APIINC)
LFLAGS   = -v -Tpe -d -c -ap -r

#-----
# Final Target
#-----
sample.exe : sample.obj $(APILIB) sampleb.mak
            $(LINK) @&&|
$(LFLAGS) +
D:\BC5\LIB\c0x32.obj +
$.obj, $.exe, $.map
D:\BC5\LIB\import32.lib +
D:\BC5\LIB\cw32mt.lib +
$(APILIB)
|

clean:
    del *.exe
    del *.obj
    del *.map
    del *.lib

rebuild:
    $(MAKE) -f sampleb.mak clean
    $(MAKE) -f sampleb.mak

.c.obj:
    $(CC) $(CFLAGS) $.c

#-----
# Create a Borland-compatible import library
#-----
$(APILIB): $(APIDL)
    implib $(APILIB) $(APIDL)

sample.obj: sample.c $(APIINC)\ocapi.h sampleb.mak

```

Notes:

Developing Applications

Introduction

This chapter describes the proper programming sequence for your application. This chapter also describes how to partition the dual port memory in the 1746 I/O PCI Interface.

How the API Functions Are Organized

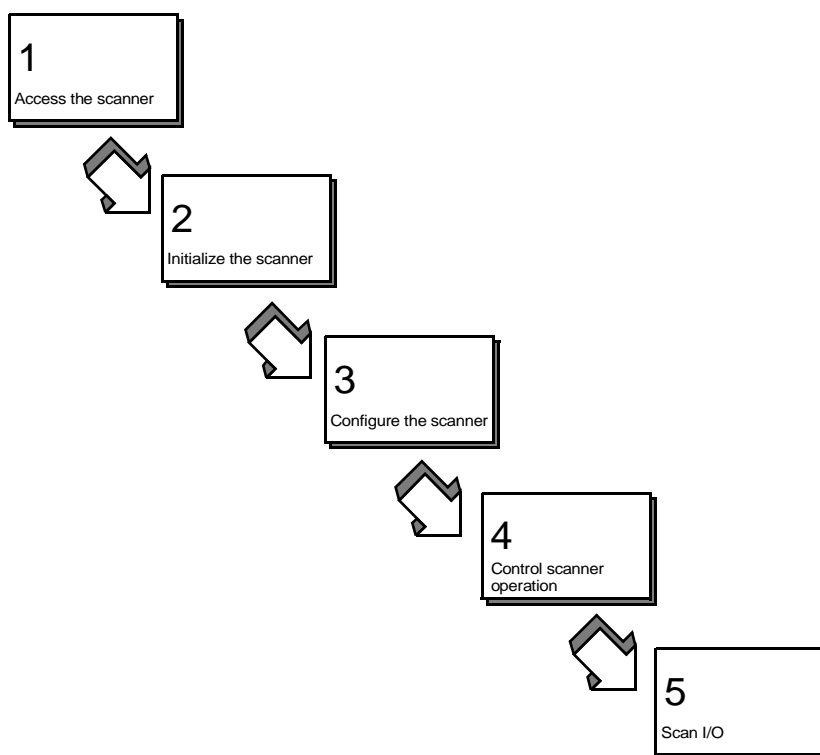
Each of the API functions falls into one of these four categories:

- scanner initialization
- scanner I/O configuration
- data input/output
- user interface/miscellaneous

Chapter 6 describes each API function and identifies its functionality group.

Programming Sequence

Follow this programming sequence when you develop your application.



Access the scanner

The host application must first call `OC_OpenScanner` to gain access to the scanner. Once an application has access, no other application can gain access to the scanner. When the application no longer requires access to the scanner, it must call `OC_CloseScanner` to release access of the scanner to other applications.

Once the scanner is opened, you must call `OC_CloseScanner` before exiting the application.

Initialize the scanner

After the scanner is reset and performs its POST, the scanner waits for initialization. In this state, the scanner can't be configured or control I/O. The only operational function is that which controls the LEDs. Any call to a function that requires the scanner to be initialized returns an error. You must initialize the scanner by sending it partitioning information before the host application can communicate with the scanner.

Initialize the scanner by calling the `OC_InitScanner` function to send the scanner partitioning information, which defines in bytes the size of the output image, the input image, and the host retentive data. Each of these memory segments must be at least large enough to hold their respective data, and must be an even number. If the input or output partition is initialized smaller than the actual size of the input or output image for a configuration, the `OC_DownloadIOConfiguration` function returns an error. The host retentive data size is optional and can be 0.

To determine the input image and output image sizes, use the `OC_CreateIOConfiguration` function to create an I/O configuration. `OC_CreateIOConfiguration` returns an I/O configuration with the number of bytes of inputs and outputs for each module. If a configuration already exists, you can use `OC_GetIOConfig` to return the current I/O configuration. The application can then calculate the minimum size of the segments required to hold the input and output images. For more information, see page 3-18.

The API has a defined constant specifying the total number of bytes available for the three segmenters. This constant is specified as: `OCSEGMENTSIZELIMIT`

Once the scanner has been initialized properly it cannot be re-initialized unless it is reset with the `OC_ResetScanner` function. Once the scanner is reset, scanner communications are disabled again until the scanner is initialized. The host application can call `OC_GetScannerStatus` to determine if the scanner has been initialized.

If the scanner was previously initialized, the host application can retrieve the initialization partition information with the `OC_GetScannerInitInfo` function instead of resetting and re-initializing the scanner.

Configure the scanner

To access I/O modules in a rack, you must define the rack sizes and installed module types for the scanner. You can either create a specific configuration or read the current configuration. The scanner cannot be set to Scan mode until it has been configured (received a valid scanner configuration).

If the scanner is in Scan mode and the host application has not downloaded a scanner configuration, the scanner has already been configured. To control I/O, use `OC_GetIOConfiguration` to retrieve the current scanner configuration.

The application can read the current I/O configuration with the `OC_GetIOConfiguration` function. If the scanner is not in Scan mode, this function returns the current scanner configuration which can be downloaded to the scanner using `OC_DownloadIOConfiguration`.

If the application requires a specific I/O configuration, the application can define the I/O configuration structure with the rack sizes and module types installed in each slot. The application passes this configuration structure to `OC_CreateIOConfiguration`. `OC_CreateIOConfiguration` returns a scanner configuration that can be downloaded to the scanner. For more information, see chapter 5.

Once a valid scanner configuration is successfully downloaded to the scanner via `OC_DownloadIOConfiguration`, the application can set the scanner to Scan mode and control I/O.

Both `OC_CreateIOConfiguration` and `OC_GetIOConfiguration` build the configuration data from an internal database of supported I/O modules.

Control scanner operation

Once the scanner has been configured, the application can control scanner operation. The host application can:

- set the scanner to Idle or Scan mode
- control the scan time
- control I/O
- read or write module files
- clear faults
- enable/disable slots
- set I/O Idle state
- install/remove forces
- handle module interrupts and discrete input interrupts

The API uses messages to communicate with the scanner. The scan time settings affect the time allowed by the scanner to process a message. `OC_SetScanTime` adjusts the scan time of the application.

The scanner processes messages during any available time that it is not scanning I/O. If the scan time is set too small, some API functions might take a relatively long time to complete. If some functions seem to be taking too long to complete, increase the scan time to provide more time for the scanner to process messages. If the scan time is set too large, I/O won't update fast enough.

From the end of post until entering scan mode, the scanner holds the I/O reset line high.

For information about estimating scan time, see *PCIS Bus Card for 1746 Local I/O Installation Instructions, publication 1747-5.31*.

Scan I/O

The scanner provides two basic methods for scanning I/O: timed scans and on-demand scans. The host application can use either, or a combination of both.

Typically, the scanner reads inputs from modules and writes outputs to modules once every scan time. To read inputs and write outputs, the application calls `OC_ReadInputImage` and `OC_WriteOutputImage` independently from the scanner's scan sequence.

The application can change the behavior of the input and output scans by allowing the application to have more control over I/O scanning. The application can prevent the scanner from doing any output scans and allow the application to read inputs and initialize outputs before the scanner begins to write outputs. This mode allows the application to pre-scan the inputs before the outputs are written.

The application can set the scanner to a conditional scan mode where the scanner writes outputs at the next scan time after the application writes data to the output image. In this mode, the scanner only writes outputs each time the application writes data to the output image.

The application can also prevent output scans by the scanner and have the scanner send a message after every input scan. The application can detect an end-of-scan message and then read the input image, perform logic, and write outputs using `OC_DemandOutputScan` to force the scanner to write outputs immediately. This lets the application synchronize its control loop with the input and output scans.

The application can also disable both input and output scans. In this mode, the scanner is a slave and input or output scans only take place when requested by the host application.

Programming Example for DOS

The following DOS example (`sample.c` on your API disk) shows how to program the above steps. Callouts on the right margin identify the code for each step.

```

/*****
*
*   FILE:  sample.c
*
*   PURPOSE:Sample application code for 1746 I/O PCI Interface API
*
*   SUMMARY:This program,
*           - Resets and initializes the scanner.
*           - Displays the scanner firmware and hardware versions.
*           - Autconfigures the I/O in chassis.
*           - Reads the front panel switch position and lights LED 1.
*           - Reads first discrete input module data word.
*           - Writes incremental data to first output module data word.
*           - Closes connection to scanner and exits.
*
*   ENVIRONMENT: 1747-PCIS 1746 I/O PCI Interface
*                MS-DOS
*                Borland/Microsoft C/C++ Compiler (16-bit)
*
*****/

```

```

/*=====
=                               INCLUDE FILES                               =
=====*/
#include "ocapi.h"
#include <stdio.h>
#include <dos.h>
#include <time.h>
#include <conio.h>
#include <string.h>
/*=====
=                               MODULE WIDE GLOBAL VARIABLES               =
=====*/
HANDLE      Handle;                /* Software ID to scanner device */
OCIOCFG     OCcfg;                /* Chassis I/O config. data structure */
/*=====
=                               FUNCTION PROTOTYPES                       =
=====*/
void Ioexit( int );
/*=====
=                               MAIN PROGRAM                               =
=====*/
void main()
{
    int          retcode;          /* Return code from API calls */
    int          i;
    int          slots;
    int          input_slot, input_found = 0;
    int          output_slot, output_found = 0;
    OCINIT      ocpart;
    BYTE        status;
    OCVERSIONINFO verinfo;
    BYTE        swpos;
    WORD        wData;

    /*
    ** Open the scanner
    */
    retcode = OC_OpenScanner( &Handle, 0, 0);
    if ( retcode != SUCCESS )
    {
        printf( "\nERROR: OC_OpenScanner failed: %d\n", retcode );
        Ioexit( 1 );
    }
}

```

Access the scanner.

```

/*
** Reset the scanner
*/
printf( "\n\n Going to reset OC, takes 6 seconds to complete...\n" );

retcode = OC_ResetScanner( Handle, OCWAIT );
if ( retcode != SUCCESS )
{
    printf( "\nERROR: OC_ResetScanner failed: %d\n", retcode );
    Ioexit( 1 );
}
/*
** Check scanner status register
*/
retcode = OC_GetScannerStatus( Handle, &status );
if ( retcode != SUCCESS )
{
    printf( "\nERROR: OC_GetScannerStatus failed: %d\n", retcode );
    Ioexit( 1 );
}
if ( status != SCANSTS_INIT)
{
    printf("\nERROR: POST failure detected: %d\n", status);
    Ioexit(1);
}
/*
** Initialize the DPR partitions
** You can use OC_CreateIOConfiguration to determine the I/O image
table
** sizes before partitioning the DPR
*/
ocpart.OutputImageSize = 0x800;
ocpart.InputImageSize = 0x800;
ocpart.HostRetentiveDataSize = 0;
retcode = OC_InitScanner( Handle, &ocpart );
if ( retcode != SUCCESS )
{
    printf(" \nERROR: OC_InitScanner failed: %d\n", retcode );
    Ioexit( 1 );
}
/*
** Display software/hardware versions
*/
retcode = OC_GetVersionInfo( Handle, &verinfo );
if ( retcode != SUCCESS )
{
    printf( "\nERROR: OC_GetVersionInfo failed: %d\n", retcode );
    Ioexit( 1 );
}
printf( "\n\n Scanner Firmware Series: %02d Revision: %02d ",
        verinfo.ScannerFirmwareSeries, verinfo.ScannerFirmwareRevision );
printf( "\n Hardware Series: %02d Revision: %02d",
        verinfo.OCHardwareSeries, verinfo.OCHardwareRevision );
delay( 3000 );
/*
** Read switch position
*/
retcode = OC_GetSwitchPosition( Handle, &swpos );
if ( retcode != SUCCESS )
{
    printf( "\nERROR: OC_GetSwitchPosition failed: %d\n", retcode );
    Ioexit( 1 );
}

```

Initialize the scanner

```

}
printf( "\n\n Switch position: " );
switch( swpos )
{
    case SWITCH_TOP:
        printf( "Top \n" );
        break;
    case SWITCH_BOTTOM:
        printf( "Bottom \n" );
        break;
    case SWITCH_MIDDLE:
        printf( "Middle \n" );
        break;
}
delay( 3000 );
/*
** Read auto-config
*/
retcode = OC_GetIOConfiguration( Handle, &OCcfg );
if ( retcode != SUCCESS )
{
    printf( "\nERROR: OC_GetIOConfiguration failed: %d\n", retcode );
    Ioexit( 1 );
}
/*
** Display rack configuration
*/
slots = OCcfg.Rack1Size + OCcfg.Rack2Size + OCcfg.Rack3Size;
if ( slots > 31 )
    slots = 31;
printf( "\n\n          Chassis configuration " );
for ( i=1; i < slots; i++ )
{
    if ( OCcfg.SlotCfg[i].type != 0xff )
        printf( "\n Slot %2d: Type %2d, Mix %3d %s",
                i, OCcfg.SlotCfg[i].type, OCcfg.SlotCfg[i].mix,
                OCcfg.SlotCfg[i].Name );
    else
        printf( "\n Slot %2d: %s", i, OCcfg.SlotCfg[i].Name );
    /* Find digital input card */
    if ( OCcfg.SlotCfg[i].mix < 8 && !input_found )
    {
        input_found = 1;
        input_slot = i;
    }
    /* Find digital output card */
    if ( (OCcfg.SlotCfg[i].mix > 7) && (OCcfg.SlotCfg[i].mix < 32) && !output_found
)
    {
        output_found = 1;
        output_slot = i;
    }
}
delay( 3000 );

```



```

    /*
    ** Download the configuration to the scanner
    */
    retcode = OC_DownloadIOConfiguration( Handle, &OCcfg );
    if ( retcode != SUCCESS )
    {
        printf( "\nERROR: OC_DownloadIOConfiguration failed: %d\n",
retcode );
        Ioexit( 1 );
    }

    /*
    ** Set output update mode to always
    */
    retcode = OC_SetOutputUpdateMode( Handle, OUTUPD_ALWAYS );
    if ( retcode != SUCCESS )
    {
        printf( "\nERROR: OC_SetOutputUpdateMode failed: %d\n",
retcode );
        Ioexit( 1 );
    }
    /*
    ** Set scan time to 5ms, periodic scan mode
    */
    retcode = OC_SetScanTime( Handle, SCAN_PERIODIC, 20 );
    if ( retcode != SUCCESS )
    {
        printf( "\nERROR: OC_SetScanTime failed: %d\n", retcode );
        Ioexit( 1 );
    }
    /*
    ** Goto Scan Mode
    */
    retcode = OC_SetScanMode( Handle, SCAN_RUN );
    if ( retcode != SUCCESS )
    {
        printf( "\nERROR: OC_SetScanMode failed: %d\n", retcode );
        Ioexit( 1 );
    }
    /*
    ** Turn on User LED 1
    */
    retcode = OC_SetUserLEDState( Handle, 1, LED_GREEN_SOLID );
    if ( retcode != SUCCESS )
    {
        printf( "\nERROR: OC_SetUserLEDState failed: %d\n", retcode );
        Ioexit( 1 );
    }
    printf( "\n\n LED1 is on solid green now. \n" );
    delay( 3000 );

```

Configure the scanner.

Control scanner operation

```

    /*
    ** Read first Input word
    */
    retcode = OC_ReadInputImage( Handle, NULL, input_slot, 0, 1, &wData );
    if ( retcode != SUCCESS )
    {
        printf( "\nERROR: OC_ReadInputImage failed: %d\n", retcode );
        Ioexit( 1 );
    }
    printf( "\n\n First input image data word --> 0x%04x \n", wData );
    delay( 3000 );
    /*
    ** Write to the first Output word
    */

    printf( "\n\n Incrementing first discrete output word. \n" );
    for ( wData=0; wData < 256; wData++ )
    {
        retcode = OC_WriteOutputImage( Handle, NULL, output_slot, 0, 1,
&wData );
        if ( retcode != SUCCESS )
        {
            printf("\nERROR: OC_WriteOutputImage failed: %d\n",
retcode);
            Ioexit(1);
        }
        delay ( 10 );
    }
    /*
    ** Must always close the scanner before exiting
    */
    OC_CloseScanner( Handle );
    printf( "\n\n Program is done! \n\n" );
}
    /* end main() */
/*****
*
* Name: Ioexit
*
* Description:
*
* Common error handling routine. This routine displays any
* extended error and exits the program.
*
* Arguments:
* retcode : int( input )
* This error code is passed to the exit() routine.
*
* External effects:
* The program is terminated.
*
* Return value:
* none
*
*****/
void Ioexit( int retcode )
{
    OCEXTERR exterr;
    char *msg;
    if (OC_GetExtendedError(Handle, &exterr) == SUCCESS)
    {
        if ( exterr.ErrorCode != 0 )
        {

```

Scan I/O

```

        OC_ExtendedErrorMsg(Handle, &exterr, &msg);
        printf("\nERROR: %s\n", msg);
    }
}

OC_CloseScanner(Handle);

exit(retcode);

}          /* end Ioexit() */

```

Programming Example for Windows NT

The following Windows NT example (sample.c on your Windows NT API disk) shows how to program the above steps. Callouts on the right margin identify the code for each step.

```

/*****
*   Title: Simple application sample code for 1746 I/O PCI Interface API
*
*   Abstract:
*
*       This file contains a simple application using the PCI
*       bus interface API.
*
*   Environment:
*
*       1747-PCIS 1746 I/O PCI Interface
*       Microsoft Windows NT 4.0
*       Microsoft Visual C++ / Borland C++
*       (c)Copyright Allen-Bradley *
*****/
/*=====
=                               INCLUDE FILES                               =
=====*/
#include <windows.h>
#include <process.h>
#include <stdio.h>
#include <stdlib.h>
#include <time.h>
#include <conio.h>
#include <string.h>
#include "ocapi.h"
/*=====
=                               MODULE WIDE GLOBAL VARIABLES                               =
=====*/
HANDLE      OCHandle;
OCIOCFG     OCcfg;
/*****
*   Entry point:
*       Ioexit
*
*   Description:
*       Common error handling routine. This routine displays any
*       extended error and exits the program.
*
*   Arguments:
*       rc      : int          ( input )
*       This error code is passed to the exit() routine.

```

```

*
*   External effects:
*       The program is terminated.
*
*   Return value:
*       none
*
*   Access: Public
* -----
*   Notes:
*
*****/
void Ioexit
    int rc
) {
    OCEXTERR exterr;
    char *msg;
    if (OC_GetExtendedError(OCHandle, &exterr) == SUCCESS)
    {
        if ( exterr.ErrorCode != 0 )
        {
            OC_ExtendedErrorMsg(OCHandle, &exterr, &msg);
            printf("\n\nERROR: %d %s\n", msg, exterr.ErrorCode);
        }
    }
    OC_CloseScanner(OCHandle);
    exit(rc);
} /* end Ioexit() */
/*****
*   Entry point:
*       tErrorEvent
*
*   Description:
*       Thread to handle errors.
*
*   Arguments:
*       none
*
*   External effects:
*       none
*
*   Return value:
*       none
*
*   Access: Public
* -----
*   Notes:
*
*****/
void tErrorEvent( void *dummy )
{
    while(1)
    {
        /* Sleep until the scanner reports an error */
        OC_WaitForExtError(OCHandle, INFINITE);
        /* An error has occurred. Perform whatever error handling */
        /* that is necessary. In this case, we just print a message */
        /* and exit the process. */
        Ioexit(1);
    }
} /* end tErrorEvent() */

```

```

/***** *
*   Entry point:
*       main
*
*   Description:
*       Entry point of the PCI I/O bus interface API sample application.
*
*       This program resets, initializes, and autoconfigures the scanner.
*       It displays the scanner firmware and hardware versions, and
*       the front panel switch position.
*       It lights User LED 1, reads inputs from a 32 pt discrete
*       input module, and writes data to the M0 file on a BAS module.
*
*   Arguments:
*       none
*
*   External effects:
*       none
*
*   Return value:
*       0 if no errors were encountered
*       1 if errors
*
*   Access: Public
*
*-----
*   Notes:
*
*****/
main()
{
    int rc;
    int i;
    int slots;
    int BASslot;
    int IB32slot;
    int fRecreateIOcfg;
    OCINIT ocpart;
    BYTE status;
    OCVERSIONINFO verinfo;
    BYTE swpos;
    WORD wData,wLen;
    BYTE temp;
    BASslot = IB32slot = 0;
    fRecreateIOcfg = 0;
    /* Open the scanner */
    if (SUCCESS != (rc = OC_OpenScanner(&OCHandle)))
    {
        printf("\nERROR: OC_OpenScanner failed: %d\n", rc);
        Ioexit(1);
    }
    /* Create an error-handling thread */
    if (-1 == (long) _beginthread(tErrorEvent, 0, NULL))
        printf("\nERROR: _beginthread tErrorEvent failed.\n");
}

```

Access the scanner.

```

/* Reset the scanner */
printf("\nResetting the scanner...");
if (SUCCESS != (rc = OC_ResetScanner(OCHandle, OCWAIT)))
{
    printf("\nERROR: OC_ResetScanner failed: %d\n", rc);
    Ioexit(1);
}
/* Check scanner status register */
if (SUCCESS != (rc = OC_GetScannerStatus(OCHandle, &status)))
{
    printf("\nERROR: OC_GetScannerStatus failed: %d\n", rc);
    Ioexit(1);
}
if ( status != SCANSTS_INIT)
{
    printf("\nERROR: POST failure detected: %d\n", status);
    Ioexit(1);
}
/* Initialize the DPR partitions */
ocpart.OutputImageSize = 0x800;
ocpart.InputImageSize = 0x800;
ocpart.HostRetentiveDataSize = 0;
if (SUCCESS != (rc = OC_InitScanner(OCHandle, &ocpart)))
{
    printf("\nERROR: OC_InitScanner failed: %d\n", rc);
    Ioexit(1);
}
/* Display software/hardware versions */
if (SUCCESS != (rc = OC_GetVersionInfo(OCHandle, &verinfo)))
{
    printf("\nERROR: OC_GetVersionInfo failed: %d\n", rc);
    Ioexit(1);
}
printf("\nOC API Series: %02d Revision: %02d ",
    verinfo.APISeries, verinfo.APIRevision);
printf("\nOCdriver Series: %02d Revision: %02d ",
    verinfo.OCdriverSeries, verinfo.OCdriverRevision);
printf("\nOC Scanner Firmware Series: %02d Revision: %02d ",
    verinfo.ScannerFirmwareSeries, verinfo.ScannerFirmwareRevision);
printf("\nOC Hardware Series: %02d Revision: %02d\n",
    verinfo.OCHardwareSeries, verinfo.OCHardwareRevision);
/* Read switch position */
if (SUCCESS != (rc = OC_GetSwitchPosition(OCHandle, &swpos)))
{
    printf("\nERROR: OC_GetSwitchPosition failed: %d\n", rc);
    Ioexit(1);
}
printf("\nSwitch position: ");
switch(swpos)
{
    case SWITCH_TOP:
        printf("Top");
        break;
    case SWITCH_BOTTOM:
        printf("Bottom");
        break;
    case SWITCH_MIDDLE:
        printf("Middle");
        break;
}
/* Read temperature */
if (SUCCESS != (rc = OC_GetTemperature(OCHandle, &temp)))
{

```

Initialize the scanner

```

        printf("\nERROR: OC_GetTemperature failed: %d\n", rc);
        Ioexit(1);
    }
    printf("\nTemperature: %dC ", temp);
    /* Read auto-config */
    if (SUCCESS != (rc = OC_GetIOConfiguration(OCHandle, &OCcfg)))
    {
        printf("\nERROR: OC_GetIOConfiguration failed: %d\n", rc);
        Ioexit(1);
    }
    /* Display rack configuration */
    slots = OCcfg.Rack1Size + OCcfg.Rack2Size + OCcfg.Rack3Size;
    if ( slots > 31 ) slots = 31;
    printf("\n\nRack configuration:");
    for (i=1; i<slots; i++)
    {
        if (OCcfg.SlotCfg[i].type != 0xff)
        {
            printf("\nSlot %2d: Type %2d, Mix %3d %s",
                i, OCcfg.SlotCfg[i].type, OCcfg.SlotCfg[i].mix,
                OCcfg.SlotCfg[i].Name);
        }
        else
        {
            printf("\nSlot %2d: %s", i, OCcfg.SlotCfg[i].Name);
        }
        /* check for BAS modules class 1 or 4 */
        if ( ((OCcfg.SlotCfg[i].mix == 35) || (OCcfg.SlotCfg[i].mix == 131))
            && (OCcfg.SlotCfg[i].type == 6))
        {
            if ( OCcfg.SlotCfg[i].mix == 35 )
            {
                /* if Class 1 BAS module, then ...
                OCcfg.SlotCfg[i].mix = 131; /* ...make it class 4 */
                OCcfg.SlotCfg[i].Name = NULL; /* remove name so that OC_CreateIOConfiguration
will key off mix/type */
                fRecreateIOcfg = 1;
            }
            BASslot = i;
        }
        /* check for IB32 modules */
        if ( OCcfg.SlotCfg[i].mix == 7 )
        {
            IB32slot = i;
        }
    }
    /* if we converted a Class 1 BAS module to Class 4, recreate the IO configuration */
    /* to insure we get the M0 and M1 file sizes */
    if (fRecreateIOcfg == 1)
    {
        if (SUCCESS != (rc = OC_CreateIOConfiguration(&OCcfg)))
        {
            printf("\nERROR: OC_CreateIOConfiguration failed: %d\n", rc);
            Ioexit(1);
        }
    }
}

```

```

/* Download the configuration to the scanner */
if (SUCCESS != (rc = OC_DownloadIOConfiguration(OCHandle, &OCcfg)))
{
    printf("\nERROR: OC_DownloadIOConfiguration failed: %d\n", rc);
    Ioexit(1);
}

/* Set output update mode to always */
if (SUCCESS != (rc = OC_SetOutputUpdateMode(OCHandle, OUTUPD_ALWAYS)))
{
    printf("\nERROR: OC_SetOutputUpdateMode failed: %d\n", rc);
    Ioexit(1);
}
/* Set scan time to 5ms, periodic scan mode */
if (SUCCESS != (rc = OC_SetScanTime(OCHandle, SCAN_PERIODIC, 20)))
{
    printf("\nERROR: OC_SetScanTime failed: %d\n", rc);
    Ioexit(1);
}
/* Goto Scan Mode */
if (SUCCESS != (rc = OC_SetScanMode(OCHandle, SCAN_RUN)))
{
    printf("\nERROR: OC_SetScanMode failed: %d\n", rc);
    Ioexit(1);
}
/* Turn on User LED 1 */
if (SUCCESS != (rc = OC_SetUserLEDState(OCHandle, 1, LED_GREEN_SOLID)))
{
    printf("\nERROR: OC_SetUserLEDState failed: %d\n", rc);
    Ioexit(1);
}
/* Read word 0 of IB32 module */
if ( IB32slot != 0 )
{
    if (SUCCESS != (rc = OC_ReadInputImage(OCHandle, NULL, IB32slot, 0,
1, &wData)))
    {
        printf("\nERROR: OC_ReadInputImage failed: %d\n", rc);
        Ioexit(1);
    }
}
/* Write the data read to word 2 of BAS module M0 file */
wLen = 1;    if ( BASslot != 0 )
{
    if (SUCCESS != (rc = OC_WriteModuleFile(OCHandle, FILTYP_M0, &wData,
BASslot, 2, wLen)))
    {
        printf("\nERROR: OC_WriteModuleFile failed: %d\n", rc);
        Ioexit(1);
    }
}
/* Close the scanner before exiting */
OC_CloseScanner(OCHandle);
return(0);
} /* end main()*/

```

Configure the scanner.

Control scanner operation.

Scan I/O

Handling Interrupt Messages

Modules that communicate via discrete input interrupts or module interrupts require special attention. The API buffers these interrupts internally until they are extracted via `OC_PollScanner`. The internal message buffer can hold as many as 5 messages. If the message buffer is full, the oldest message in the buffer is overwritten by the next message. Interrupts will be missed if `OC_PollScanner` is not called by the application more often than interrupts are received.

For Windows NT, use the `OC_WaitForxxx` functions.

Handling Errors

Every function call returns a status code for the function. Check this status code before using the data returned by the function. The scanner reports faults and other errors via messages. The API library buffers these errors internally and reports their existence as an Extended Error. The application must periodically call `OC_GetExtendedError` to determine if an extended error message exists.

The library buffers extended errors in a queue. The queue can hold as many as 5 extended errors at one time. If the queue is full when a new extended error is received from the scanner, the oldest extended error is lost and `ERR_OCOVERRUN` is returned. The host application must call `OC_GetExtendedError` periodically to remove existing extended errors from the buffer.

Extended Errors cause the scanner to fault. Once the scanner is faulted, it is forced to Idle mode and cannot go to Scan mode until the Extended Errors are extracted via `OC_GetExtendedError` and the fault is cleared via `OC_ClearFault`. For Windows NT, use the `OC_WaitForExtError` function.

Determining Partition Sizes for Shared Memory

The host application initializes the scanner by providing partitioning information, which contains the size of memory to be reserved in the shared memory for the input and output images. The size of memory to be reserved for each of the images must be greater than or equal to the number of input and output words required by each module. The host application can't communicate with the scanner until it has been initialized.

The partitioning information is passed to `OC_InitScanner` in the `OCINIT` structure, which is defined as:

```
typedef struct tagOCINIT {
    WORD    OutputImageSize;      /* size in bytes */
    WORD    InputImageSize;      /* size in bytes */
    WORD    HostRetentiveDataSize; /* size in bytes */
} OCINIT;
```

To determine the input and output image sizes, call `OC_CreateIOConfiguration` with a configuration that contains the I/O modules to be installed. `OC_CreateIOConfiguration` returns the number of bytes of I/O required by each module. Or you can use `OC_GetIOConfig` to use the current configuration, if one exists. The input and output sizes are based on the number of words of I/O required by each module. As an estimate, take the total number of input and output words for all the modules in the system and multiply by two to get the number of required bytes. The following code fragment calculates the number of bytes required by the input and output images:

```
OCINIT    initinfo;
OCIOCFG   iocfg;
int       i,numslots;
/* assuming application has filled iocfg with I/O configuration */
OC_CreateIOConfiguration(&iocfg);
numslots = iocfg.Rack1Size + iocfg.Rack2Size + iocfg.Rack3Size;
if ( numslots > 31 )    numslots = 31;
initinfo.OutputImageSize = initinfo.InputImageSize = 0;
for ( i=1 ; i<numslots ; i++ ) {
    initinfo.OutputImageSize += ((iocfg.SlotCfg[i].OutputSize+1) / 2) * 2;
    initinfo.InputImageSize += ((iocfg.SlotCfg[i].InputSize+1) / 2) * 2;
}
```

Any remaining shared memory can be allocated for host retentive data, which is the portion of the dual port RAM that you can use to store data in case power fails. If the application doesn't need host retentive data, set its size to 0. If the application needs host retentive data, the application can determine the amount of memory available by using the OCSEGMENTSIZELIMIT constant.

This constant specifies the total number of bytes available for the three segment sizes. To calculate the maximum memory available for the host retentive data, use this formula:

```
initinfo.HostRetentiveDataSize =  
    OCSEGMENTSIZELIMIT - initinfo.OutputImageSize - initinfo.InputImageSize;
```

If the I/O configuration changes and causes the image sizes to change, the maximum memory available for Host Retentive Data will change accordingly, and information stored in the Host Retentive Data memory may be overwritten.

Notes:

Using the API Structures

Introduction

This chapter describes the structures the API uses. These structures are declared in `ocapi.h`.

API Structures

The table below list API structures.

Structure Name:	Syntax:
DII_CFG Passed to OC_ConfigureDII. Configures a discrete input interrupt for a module.	<pre>typedef struct tagDII_CFG { BYTE SlotNum; /* slot number */ BYTE IOIncludeMask; /* declare which Discrete Inputs can cause interrupts */ BYTE IOEdgeType; /* select required transition of each discrete input */ WORD PresetCount; /* set the number of transitions required to cause interrupt */ } DII_CFG;</pre>
FORCEDATA Passed to OC_SetForces. Configures input and output forces.	<pre>typedef struct tagFORCEDATA { BYTE SlotNum; /* slot number */ WORD WordOffset; /* offset to word to force */ BYTE IOType; /* selects force inputs or outputs */ WORD ForceMask; /* bits set to 1 are forced, 0 removes forces */ WORD ForceVal; /* selects force state of bits set to 1 in ForceMask */ } FORCEDATA;</pre>
MSGBUF Returned by OC_PollScanner. MsgID identifies the message type. Type-specific data is contained in <code>MsgData[]</code> .	<pre>#define OCMSGDATASIZE4 /* number of bytes of message data */ typedef struct tagMSGBUF { BYTE MsgID; /* Message type */ BYTE MsgData[OCMSGDATASIZE]; /* Type-specific data */ } MSGBUF;</pre>
OCEXTERR Returned by OC_GetExtendedError. I/O error report from scanner.	<pre>#define OCERRDATASIZE3 /* number of bytes of error data */ typedef struct tagOCEXTERR { BYTE ErrorCode; /* Extended error code */ BYTE SlotNum; /* Associated slot number */ BYTE ErrorData[OCERRDATASIZE]; /* Error code data */ } OCEXTERR;</pre>
OCINIT Passed to OC_InitScanner function to specify dual port RAM partition sizes for output image, input image, and host retentive data.	<pre>typedef struct tagOCINIT { WORD OutputImageSize; /* size in bytes */ WORD InputImageSize; /* size in bytes */ WORD HostRetentiveDataSize; /* size in bytes */ } OCINIT;</pre>

Structure Name:	Syntax:
<p>OCIOCFG Used by OC_CreateIOConfiguration, OC_GetIOConfiguration, and OC_DownloadIOConfiguratio n. Configuration information for a system. 1, 2, or 3 racks may be configured for up to 30 I/O modules. (Slot 0 is reserved for the 1746 I/O PCI Interface.)</p>	<pre>typedef struct tagOCIOCFG { BYTE Rack1Size; /* number of slots in Rack 1 */ BYTE Rack2Size; /* number of slots in Rack 2 */ BYTE Rack3Size; /* number of slots in Rack 3 */ OCSLOTCFGSlotCfg[OCMAXSLOT]; /* configuration for each slot */ } OCIOCFG;</pre>
<p>OCSLOTCFG Configuration information for a module. The mix and type codes together form a unique identification for each module.</p>	<pre>typedef struct tagOCSLOTCFG { BYTE mix; /* mix code */ BYTE type; /* type code */ BYTE InputSize; /* number of inputs in bytes */ BYTE OutputSize; /* number of outputs in bytes */ WORD M0Size; /* size of M0 file in words */ WORD M1Size; /* size of M1 file in words */ WORD GSize; /* size of G file in words */ WORD *GData; /* pointer to array of length GSize words */ char *Name; /* pointer to module name string */ } OCSLOTCFG;</pre>
<p>OCVERSIONINFO Returned by OC_GetVersionInfo. Software and hardware version numbers.</p>	<pre>typedef struct tagOCVERSIONINFO { WORD APISeries; /* API series */ WORD APIRevision; /* API revision */ WORD ScannerFirmwareSeries; /* Scanner firmware series */ WORD ScannerFirmwareRevision; /* Scanner firmware revision */ WORD OCHardwareSeries; /* Hardware series */ WORD OCHardwareRevision; /* Hardware revision */ WORD OCdriverSeries /* OCdriver series - Windows NT only */ WORD OCdriverRevision /* Ocdriver revision - Windows NT only */ } OCVERSIONINFO;</pre>
<p>STSFILE Scanner status file.</p>	<pre>typedef struct tagSTSFILE { WORD wWordNum[OCSTSFILERSIZE]; } STSFILE;</pre>

Configuring I/O Modules

Introduction

This chapter explains how to configure the I/O modules for your 1746 I/O PCI Interface system. You can either use the autoconfigure (OC_GetIOConfiguration) function or build your own configuration (OC_CreateIOConfiguration).

A separate I/O configuration utility is available for the PCI SLC I/O bus interface to simplify this process. The utility is on the 1746 I/O PCI Interface utilities disk that ships with the 1746 I/O PCI Interface (1747-PCIS[2]). The I/O configuration utility (ioconfig.exe) allows an I/O configuration data file to be created and saved to disk.

Configuring I/O

The application configures the scanner by downloading information about the installed rack sizes and module types. Call the OC_GetIOConfiguration function to get the current I/O configuration or use OC_CreateIOConfiguration to build an I/O configuration. Both of these functions return a valid I/O configuration that can be downloaded to the scanner.

The scanner will not go to Scan mode until the OC_DownloadIOConfiguration function sends the configuration information. The scanner checks the downloaded I/O configuration against the installed modules when the application attempts to set the scanner to Scan mode. The scanner returns an extended error if the I/O configuration is not valid and the scanner will fault.

The OC_CreateIOConfiguration function requires a structure containing rack sizes and module types or module names. The structure is:

```

struct {
    BYTE          Rack1Size;          /* number of slots in rack1 (4,7,10,
or 13) */
    BYTE          Rack2Size;          /* number of slots in rack2 (0,4,7,10,
or 13) */
    BYTE          Rack3Size;          /* number of slots in rack3 (0,4,7,10,
or 13) */
    OCSLOTCFGSlotCfg[31]; /* slot information */
} OCIOCFG;

```

Initialize the three rack size variables with the total number of slots in each rack. If rack 2 or rack 3 is not installed, set the size to 0.

SlotCfg contains information about each slot in the racks. The 1746 I/O PCI Interface supports as many as 31 slots, numbered 0 to 30. Slot 0 is the adapter slot (left slot of rack 1) and is invalid for scanner functions. Each slot is described by the structure OCSLOTCFG:

```

struct {
    BYTE      mix;          /* Module I/O Mix value */
    BYTE      type;        /* Module Type */
    BYTE      InputSize;   /* number of inputs in bytes */
    BYTE      OutputSize;  /* number of outputs in bytes */
    WORD      M0Size;      /* size of M0 file in words */
    WORD      M1Size;      /* size of M1 file in words */
    WORD      GSize;       /* size of G file in words */
    WORD      *GData;      /* pointer to array of length GSize
words */
    char      *Name;       /* pointer to module name string */
} OCSLOTCFG;

```

You can specify a module by name or by mix and type. You only specify G data if the module uses G files (such as the 1747-SN). If the Name pointer is NULL, OC_CreateIOConfiguration uses mix and type to identify the module. See page 4 for the mix and type values. OC_CreateIOConfiguration supplies the InputSize, OutputSize, M0Size, M1Size, Gsize, and Name fields.

If Name points to a string containing a valid module name, the module name identifies the module. OC_CreateIOConfiguration supplies the mix, type, InputSize, OutputSize, M0Size, M1Size, and Gsize fields.

Initialize empty slots and slot 0 with a mix value of 0xFF and a type value of 0xFF.

If the module is not in the internal database, OC_CreateIOConfiguration doesn't alter the OCSLOTCFG.

To support modules not included in the internal database of modules, the host application can initialize the mix, type, InputSize, OutputSize, M0Size, M1Size, and GSize before downloading the I/O configuration to the scanner. See the I/O module's user manual to determine the proper configuration information.

After the OC_CreateIOConfiguration and OCGetIOConfiguration functions return, the I/O configuration structure must be checked for installed modules with G files. If the Gsize field of a non-empty slot configuration is not zero, then the module contains a G file. If the module contains a G file, initialize GData to point to an array of Gsize words to be loaded into the module during scanner configuration. See the I/O module's user manual to determine the proper G file data.

Using M0-M1 Files and G Files

The 1746 I/O PCI Interface uses M0-M1 files and G files to download configuration information to specialty I/O modules. The following descriptions describe the basics of M0-M1 and G files. For detailed information, see the user manual for the specialty I/O module you are configuring.

M0-M1 files

M0 and M1 files are data files that reside in specialty I/O modules only. There is no image for these files in the dual port memory (like the discrete input and output image files). The application of these files depends on the function of the particular specialty I/O module. Your application program initiates the transfer of these files. Each transfer is a single request or an API call. With respect to the 1746 I/O PCI Interface, the M0 file is a module output file (a write-only file) and the M1 file is a module input file (a read-only file).

You can address M0 and M1 files in your application and they can also be acted upon by the specialty I/O module - independent of the processor scan.

G files

Some specialty modules (such as the 1747-SN) use configuration files, which act as the software equivalent of DIP switches.

The data you enter into the G file is automatically passed to the specialty I/O module when you enter Scan mode.

Supported I/O Modules

Module Name: ¹	Description:	Class:	Mix: ²	Type:
AMCI-1561		1	35	14
1203-SM1 Class1		1	35	16
1203-SM1 Class 4		4	136	17
1394-SJT		4	136	17
1746-IA4	4-Input 100/120 V ac	0	1	0
1746-IA8	8-Input 100/120 V ac	0	3	0
1746-IA16	16-Input 100/120 V ac	0	5	0
1746-IB8	8-Input (SINK) 24 V dc	0	3	6
1746-IB16	16-Input (SINK) 24 V dc	0	5	6
1746-IB32	32-Input (SINK) 24 V dc	0	7	6
1746-IC16	16-Input dc	0	5	9
1746-IH16	16-Input ac	0	5	7
1746-IG16	16-Input [TTL](SOURCE) 5 V dc	0	5	15
1746-IM4	4-Input 200/240 V ac	0	1	1
1746-IM8	8-Input 200/240 V ac	0	3	1
1746-IM16	16-Input 200/240 V ac	0	5	1
1746-IN16	16-Input 24 V ac/V dc	0	5	10
1746-ITB16	16-Input [FAST](SINK) 24V dc	0	5	19
1746-ITV16	16-Input [FAST](SOURCE) 24V dc	0	5	18
1746-IV8	8-Input (SOURCE) 24 V dc	0	3	20
1746-IV16	16-Input (SOURCE) 24 V dc	0	5	20
1746-IV32	32-Input (SOURCE) 24 V dc	0	7	20
1746-OA8	8-Output (TRIAC) 100/240 V ac	0	27	3
1746-OA16	16-Output (TRIAC) 100/240 V ac	0	29	3
1746-OAP12	Enhanced ac	0	28	3
1746-OB8	8-Output [TRANS](SOURCE)10/50 V dc	0	27	13
1746-OB16	16-Output [TRANS](SOURCE)10/50 V dc	0	29	13
1746-OB16E	16-Output dc	0	29	20
1746-OB32	32-Output [TRANS](SOURCE) 10/50 V dc	0	31	13
1746-OBP8	8-Output dc	0	27	21
1746-OBP16	16-Output [TRANS 1 amp](SRC) 24V dc	0	29	21
1746-OG16	16-Output [TTL](SINK) 5 V dc	0	29	15
1746-OV8	8-Output [TRANS](SINK)10/50 V dc	0	27	14
1746-OV16	16-Output [TRANS](SINK)10/50 V dc	0	29	14
1746-OV32	32-Output [TRANS](SINK) 10/50 V dc	0	31	14
1746-OW4	4-Output [RELAY] V ac/V dc	0	25	0
1746-OW8	8-Output [RELAY] V ac/V dc	0	27	0
1746-OW16	16-Output [RELAY] V ac/V dc	0	29	0
1746-OX8	8-Output [ISOLATED RELAY] V ac/V dc	0	27	1
1746-OVP16	16-Output [TRANS 1 amp] (SINK) 24V dc	0	29	22

¹ The module names shown in this table correspond to those used by the OC_GetIOConfiguration and OC_CreateIOConfiguration functions.

² The mix code for a module is composed of one byte field. The upper 3 bits represent the class of the module, and the lower 5 bits represent the I/O mix of the module.

Module Name: ¹	Description:	Class:	Mix: ²	Type:
1746-IO4	2-Input 100/120 V ac 2-Output [RLY]	0	8	0
1746-IO8	4-Input 100/120 V ac 4-Output [RLY]	0	11	0
1746-IO12	6-Input 100/120 V ac 6-Output [RLY]	0	15	0
1746-INT4	4 thermocouples, isolated	1	35	15
1746sc-INO4VI	Spectrum Controls, 4 Analog Outputs	1	35	19
1746sc-INI4VI	Spectrum Controls, 4 Analog Inputs	1	35	20
1746sc-INO4I	Spectrum Controls, 4 Analog Outputs	1	35	21
1746sc-INI4I	Spectrum Controls, 4 Analog Inputs	1	35	22
1746-NI4	4 Channel Analog Input	1	44	1
1746-NI8	8 Analog Inputs	1	35	26
1746-NI8	8 Analog Inputs	3	127	26
1746-NIO4I	Analog Comb. 2 In & 2 Current Out	1	32	1
1746-NIO4V	Analog Comb. 2 In & 2 Voltage Out	1	32	2
1746-FIO4I	Fast Analog Comb 2 In & 2 Current Out	1	32	24
1746-FIO4V	Fast Analog Comb 2 In & 2 Voltage Out	1	32	18
1746-NO4I	4 Channel Analog Current Output	1	54	1
1746-NO4V	4 Channel Analog Voltage Output	1	54	2
1746-NT4	4 Channel Thermocouple Input Module	1	35	10
1746sc-NT8	Spectrum Controls, 4 Analog inputs isolated	1	35	33
1746-NR4	4 Channel RTD/Resistance Input Module	1	35	13
1746-HSCE	High Speed Counter/Encoder	3	127	5
1746-HS	Single Axis Motion Controller	1	33	3
1746-HSRV	SLC Servo Single AX MC	3	101	14
1746-HSTP1	Stepper Controller Module	1	35	12
1746-BAS1 ³	BASIC Module - 5/01 Configuration	1	35	6
1746-BAS2 ^c	BASIC Module - 5/02 Configuration	4	131	6
1746-QS	Synchronized Axes	4	136	27
1746-QV	Open Loop Velocity	4	131	15
1747-DCM1 ^c	Direct Commun. Module (1/4 RACK)	1	32	25
1747-DCM2 ^c	Direct Commun. Module (1/2 RACK)	1	33	25
1747-DCM3 ^c	Direct Commun. Module (3/4 RACK)	1	34	25
1747-DCM4 ^c	Direct Commun. Module (FULL RACK)	1	35	25
1747-MNET	Module Interface	4	158	11
1747-SDN	DeviceNet Scanner	4	136	6
1747-SN	Remote I/O Scanner	4	136	8
1747-DSN1 ^c	Distributed I/O Scanner - 7 Blks	1	35	7
1747-DSN2 ^c	Distributed I/O Scanner - 30 Blks	4	136	7
1747-KE1 ^c	Interface Module, Series A	1	42	9
1747-KE2 ^c	Interface Module, Series B	1	35	9

¹ The module names shown in this table correspond to those used by the OC_GetIOConfiguration and OC_CreateIOConfiguration functions.

² The mix code for a module is composed of one byte field. The upper 3 bits represent the class of the module, and the lower 5 bits represent the I/O mix of the module.

³ Some modules can have multiple configurations. To distinguish between different configurations of the same module, a single digit is appended to the module name.

Notes:

Library of Routines

Introduction

The MS-DOS API is a run-time library that can be linked with most industry standard programming language compilers using the Pascal calling convention.

The Windows NT API is a 32-bit DLL that can be linked with most industry-standard programming language compilers.

This chapter provides the programming information for each routine and identifies which operating system supports the routine. The calling convention for each API function is shown in C format.

OC_CalculateCRC

OC_CalculateCRC calculates a 16-bit CRC.

Syntax:

```
void OC_CalculateCRC(BYTE *bufPtr, WORD bLen, WORD *Crc);
```

Parameters:

Parameter:	Description:
bufPtr	Points to the buffer that contains the bytes for the CRC calculation
bLen	Number of bytes for which to calculate the CRC
Crc	A word that returns the calculated CRC

Description:

This function is useful for verifying data integrity. For example, a CRC might be appended to data stored in the host retentive data partition. When the data is later retrieved, a new CRC can be calculated and compared to the old CRC to ensure the data is valid.

Return Value:

none

Considerations:

Supported in the DOS API library and the Windows NT API library

Example:

```

BYTE          buffer[100];
WORD          buffer_crc;
int           retcode;

retcode = OC_CalculateCRC( buffer, 100, &buffer_crc );

```

OC_ClearFault

OC_ClearFault clears any fault condition of the scanner.

Syntax:

```
int           OC_ClearFault(HANDLE handle);
```

Parameters:

Parameter:	Description:
handle	Must be a valid handle returned from OC_OpenScanner

Description:

All extended error information must be retrieved before the fault can be cleared.

If the scanner encounters an error condition, it generates an extended error and faults. The fault forces the scanner into Idle mode. The scanner cannot be placed into Scan mode until the fault is cleared.

Return Value:

Name:	Value:	Description:
SUCCESS	0	fault was cleared successfully
ERR_OCACCESS	2	handle does not have access to the scanner
ERR_OCEXTERR	11	scanner extended error message, see OC_GetExtendedError
ERR_OCINIT	5	scanner has not been initialized, see OC_InitScanner
ERR_OCRESPONSE	10	scanner did not respond to request

Considerations:

Supported in the DOS API library and the Windows NT API library

Example:

```

HANDLE        Handle;
int           retcode;

retcode = OC_ClearFault( Handle );

```

OC_CloseScanner

This function must always be called before exiting the application.

Syntax:

```
int          OC_CloseScanner(HANDLE handle);
```

Parameters:

Parameter:	Description:
handle	Must be a valid handle returned from OC_OpenScanner

Description:

This function releases control of the scanner device, releases the interrupt assigned by OC_OpenScanner, and disables the segment address assignment.

ATTENTION

The system might become unstable if you don't call OC_CloseScanner before exiting the application.



Return Value:

Name:	Value:	Description:
SUCCESS	0	scanner was closed successfully
ERR_OCACCESS	2	handle does not have access to the scanner

Considerations:

Supported in the DOS API library and the Windows NT API library

Example:

```
HANDLE      Handle;
int         retcode;

retcode = OC_CloseScanner( Handle );
```

OC_ConfigureDII

OC_ConfigureDII allows an application to receive a message from the scanner when an input bit pattern of a discrete I/O module matches a compare value.

Syntax:

```
int          OC_ConfigureDII(HANDLE handle, DII_CFG *diicfg);
```

Parameters:

Parameter:	Description:
handle	Must be a valid handle returned from OC_OpenScanner
diicfg	Points to the DII configuration

Description:

The application configures the compare value using this function and when the comparison completes, the scanner generates a message to the application. The application must then call OC_PollScanner to retrieve the message.

The DII_CFG structure is defined as:

```
typedef struct {
    BYTE          SlotNum; /* slot number 1-30*/
    BYTE          IOIncludeMask; /* bits allowed mask */
    BYTE          IOEdgeType; /* bit pattern to compare */
    WORD          PresetCount; /* number of matches */
} DII_CFG;
```

This value:	Means:
Slotnum	Must contain the slot number of a Class 0 Discrete Input module. An I/O error report is generated if the scanner determines the slot does not contain a valid discrete input module.
IOIncludeMask	Should contain the bits in the discrete input module to include in the comparison. Only bits 0 - 7 of word 0 of the module can be configured for DII's. IOIncludeMask is a bit-mapped mask. Any bit set to 1 in this mask includes the corresponding bit of the discrete input module in the comparison. Any bit set to 0 is ignored.

This value:	Means:
IOEdgeType	Defines the bit pattern to compare. Only bits that correspond to bits set to 1 in IOIncludeMask are used. Only bits 0 - 7 are valid. IOEdgeType is a bit-mapped value. If a bit is set to 1, the comparison for the bit matches when its corresponding discrete input bit changes from 0 to 1. If a bit is set to 0, the comparison for the bit matches when its corresponding discrete input bit changes from 1 to 0.
PresetCount	When PresetCount is 0 or 1, the scanner generates a message each time the comparison matches. When it is between 2 and 65535, the message is generated when the number of comparison matches meets PresetCount.

The scanner recognizes a match when every bit in the IOIncludeMask has finished transitioning. After a message is generated, another message will be generated as soon as the next specified number of matches occurs.

To disable DII's, set IOIncludeMask to 0 with a valid SlotNum. DII's are disabled by default on reset.

Return Value:

Name:	Value:	Description:
SUCCESS	0	discrete input interrupt (DII) was configured successfully
ERR_OCACCESS	2	handle does not have access to the scanner
ERR_OCRESPONSE	10	scanner did not respond to request
ERR_OCSCANCFG	14	scanner has not been configured
ERR_OCSLOT	12	slot number is invalid

Considerations:

Supported in the DOS API library and the Windows NT API library

Example:

```

HANDLE      Handle;
DII_CFG     diicfg;
int         retcode;

diicfg.Slotnum = 6; /* Slot 6 has discrete input module */
diicfg.IOIncludeMask = 1; /* bit 0 is the input trigger */
diicfg.IOEdgeType = 1; /* bit 0 must toggle from low to high */
diicfg.PresetCount = 3; /* bit 0 must toggle 3 times */

retcode = OC_ConfigureDII( Handle, &diicfg );
/* Use OC_PollScanner() to check for DII messages */

```

OC_CreateIO Configuration

OC_CreateIOConfiguration creates a scanner configuration from an application-specific installation of rack sizes and installed modules. See chapter 5 for more information.

Syntax:

```
int OC_CreateIOConfiguration(OCIOCFG *iocfg);
```

Parameters:

Parameter:	Description:
iocfg	Specifies the rack sizes and installed modules

Description:

Modules can be specified by name or by mix and type. The function automatically fills in the rest of the required information in the OCIOCFG structure.

This function returns in `iocfg` the scanner configuration information obtained from the rack sizes and installed module types specified in `iocfg`. The scanner configuration can then be downloaded to the scanner with `OC_DownloadIOConfiguration`, which allows the application to control the number of racks and their sizes and the position and type of modules installed in the racks.

The OCIOCFG structure is defined as:

```
typedef struct tagOCIOCFG
{
    BYTE Rack1Size; /* number of slots in Rack 1 */
    BYTE Rack2Size; /* number of slots in Rack 2 */
    BYTE Rack3Size; /* number of slots in Rack 3 */
    OCSLOTCFG SlotCfg[OCMAXSLOT]; /* configuration for each slot */
} OCIOCFG;
```

Return Value:

Name:	Value:	Description:
SUCCESS	0	I/O configuration was read successfully
ERR_OCUNKNOWN	18	at least one module was not found in the internal database The <code>SlotCfg</code> data for the unknown module is not altered; the remaining modules are configured.

Considerations:

Supported in the DOS API library and the Windows NT API library

Example:

```

OCIOCFG      iocfg;
int          retcode, numslots, i;
char        module_name[] = "1746-BAS";

iocfg.Rack1Size = 10; /* 10 slot chassis */
iocfg.Rack2Size = 7; /* 7 slot chassis */
iocfg.Rack3Size = 0; /* Only 2 chassis */

numslots = iocfg.Rack1Size + iocfg.Rack2Size +
iocfg.Rack3Size;

for ( i=1; i<numslots; i++ ){
iocfg.SlotCfg[i].mix = OEMPTYMIX;
iocfg.SlotCfg[i].type = OEMPTYTYPE; /* Empty all slots */
}

iocfg.SlotCfg[6].mix = 35;
iocfg.SlotCfg[6].type = 6; /* Slot 6 has 1746-BAS module */
or
iocfg.SlotCfg[6].name = module_name; /* Use name instead */
.
.          /* Add additional module information to */
.          /* match the physical I/O configuration */
.

retcode = OC_CreateIOConfiguration( &iocfg );

/* Use OC_DownloadIOConfiguration() to download the
information */

```

OC_DemandInputScan

OC_DemandInputScan forces the scanner to immediately perform an input scan.

Syntax:

```
int          OC_DemandInputScan(HANDLE handle, int mode);
```

Parameters:

Parameter:	Description:
handle	Must be a valid handle returned from OC_OpenScanner
mode	If mode is: OCWAIT OC_DemandInputScan waits for the input scan to be completed before returning to the caller. OCNOWAIT OC_DemandInputScan returns immediately.

Description:

If an I/O scan is in progress when this function is called, the input scan is performed after the current scan has completed.

The scanner updates the input image with data read from the modules. Use `OC_ReadInputImage` to read data from the input image.

Return Value:

Name:	Value:	Description:
SUCCESS	0	demand input request was successful
ERR_OCACCESS	2	handle does not have access to scanner
ERR_OCRESPONSE	10	scanner did not respond to request
ERR_OCSCANCFG	14	scanner has not been configured

Considerations:

Supported in the DOS API library and the Windows NT API library

Example:

```
HANDLE      Handle;
int         retcode;

retcode = OC_DemandInputScan( Handle, OCWAIT );
```

OC_DemandOutputScan

`OC_DemandOutputScan` forces the scanner to immediately perform an output scan.

Syntax:

```
int         OC_DemandOutputScan(HANDLE handle, int mode);
```

Parameters:

Parameter:	Description:
handle	Must be a valid handle returned from <code>OC_OpenScanner</code>
mode	If <code>mode</code> is: OCWAIT <code>OC_DemandOutputScan</code> waits for the output scan to be completed before returning to the caller. OCNOWAIT <code>OC_DemandOutputScan</code> returns immediately.

Description:

The scanner updates module outputs from the data in the output image. Use `OC_WriteOutputImage` to write data to the output image.

Return Value:

Name:	Value:	Description:
SUCCESS	0	demand output request was successful
ERR_OCACCESS	2	handle does not have access to scanner
ERR_OCRESPONSE	10	scanner did not respond to request
ERR_OCSCANCFG	14	scanner has not been configured

Considerations:

Supported in the DOS API library and the Windows NT API library

Example:

```
HANDLE      Handle;
int         retcode;

retcode = OC_DemandOutputScan( Handle, OCWAIT );
```

OC_DownloadIO Configuration

OC_DownloadIOConfiguration downloads an I/O configuration to the scanner.

Syntax:

```
int         OC_DownloadIOConfiguration(HANDLE handle,
OCIIOCFG *iocfg);
```

Parameters:

Parameter:	Description:
handle	Must be a valid handle returned from OC_OpenScanner
iocfg	Specifies the rack sizes and installed modules

Description:

The scanner must be in Idle mode to receive an I/O configuration. This function forces the scanner to Idle mode to download the configuration.

The scanner checks the downloaded I/O configuration for validity, and if there are any errors, an extended error might be generated. If an error is generated, the scanner will fault.

The OCIIOCFG structure is defined as:

```
typedef struct tagOCIIOCFG
{
```

```

BYTE          Rack1Size; /* number of slots in Rack 1 */
BYTE          Rack2Size; /* number of slots in Rack 2 */
BYTE          Rack3Size; /* number of slots in Rack 3 */
OCSLOTCFG    SlotCfg[OCMAXSLOT]; /* configuration for each
                                slot */
} OCIOCFG;

```

Return Value:

Name:	Value:	Description:
SUCCESS	0	I/O configuration was downloaded successfully
ERR_OCACCESS	2	handle does not have access to scanner
ERR_OCINIT	5	scanner has not been initialized, see OC_InitScanner
ERR_OCOUTOFMEM	17	unable to allocate memory for configuration data
ERR_OCRESPONSE	10	scanner did not respond to request

Considerations:

Supported in the DOS API library and the Windows NT API library

Example:

```

HANDLE        Handle;
OCIOCFG       iocfg;
int           retcode;

/* Either OC_CreateIOConfiguration()
or
OC_GetIOConfiguration() were */
/* called previously to fill in 'iocfg' structure */

retcode = OC_DownloadIOConfiguration( Handle, &iocfg );

```

OC_EnableEOSNotify

OC_EnableEOSNotify controls whether end-of-scan notification messages are generated by the scanner.

Syntax:

```
int           OC_EnableEOSNotify(HANDLE handle, int mode);
```

Parameters:

Parameter:	Description:
handle	Must be a valid handle returned from OC_OpenScanner
mode	If <code>mode</code> is: EOSMSG_ENABLE the scanner generates an end-of-scan message after each scan. Use the OC_PollScanner function to retrieve end-of-scan messages. EOSMSG_DISABLE the scanner does not generate End-of-scan messages. End-of-scan messages are disabled after the scanner has been reset.

Description:

There are three types of end-of-scan messages:

This type of message:	Is generated after:
OCMSG_EOS_DMDIN	a OC_DemandInputScan command has completed
OCMSG_EOS_DMDOUT	a OC_DemandOutputScan command has completed
OCMSG_EOS	each timed I/O scan

End-of-scan messages are generated from the scanner to the API via interrupts after each scan. The scan rate is controlled by the OC_SetScanTime function and end-of-scan interrupts are generated at the scan rate. Enabling end-of-scan messages can affect the performance of the application due to the overhead incurred in processing these interrupts. An alternative method to synchronize with the scanner's I/O scan is to monitor the scanner watchdog register, which is incremented at the end of each timed I/O scan. See OC_GetScannerWatchdogCount.

Return Value:

Name:	Value:	Description:
SUCCESS	0	notification was generated successfully
ERR_OCACCESS	2	<code>handle</code> does not have access to scanner
ERR_OCINIT	5	scanner has not been initialized, see OC_InitScanner
ERR_OCPARAM	8	parameter contains invalid value

Considerations:

Supported in the DOS API library and the Windows NT API library

Example:

```
HANDLE      Handle;
int         retcode;

retcode = OC_EnableEOSNotify( Handle, EOSMSG_ENABLE );

/* Use OC_PollScanner() to check EOS messages */
```

OC_EnableForces

OC_EnableForces enables/disables forces for all inputs and outputs with entries in the force files on the scanner.

ATTENTION



Enabling forces will potentially change the output data values that your application was previously controlling.

Syntax:

```
int         OC_EnableForces(HANDLE handle, int mode);
```

Parameters:

Parameter:	Description:
handle	Must be a valid handle returned from OC_OpenScanner
mode	If mode is: FORCE_ENABLE forces are enabled FORCE_DISABLE forces are disabled FORCE_CLEAR forces are disabled and all input and output forces are cleared from the force files.

Description:

If no I/O forces are in the force files, OC_EnableForces does not enable forces and instead returns an error. All forces are disabled by default.

Return Value:

Name:	Value:	Description:
SUCCESS	0	forces were updated successfully
ERR_OCACCESS	2	handle does not have access to scanner
ERR_OCNOFORCES	15	no forces installed, scanner cannot enable forces
ERR_OCPARAM	8	parameter contains invalid value
ERR_OCRESPONSE	10	scanner did not respond to request
ERR_OCSCANCFG	14	scanner has not been configured

Considerations:

Supported in the DOS API library and the Windows NT API library

Example:

```

HANDLE      Handle;
int         retcode;

/* Use OC_SetForces() to configure forcing information first
*/

retcode = OC_EnableForces( Handle, FORCE_ENABLE );

```

OC_EnableSlot

OC_EnableSlot enables fine tuning of the I/O scanning process.

Syntax:

```
int         OC_EnableSlot(HANDLE handle, int slotnum, int
state);
```

Parameters:

Parameter:	Description:
handle	Must be a valid handle returned from OC_OpenScanner
slotnum	Must contain a valid slot number.
state	If state is: SLOT_ENABLE the module is released from its reset state and is included in the I/O scan SLOT_DISABLE the module is no longer included in the I/O scan and any outputs remain at their last state

Description:

This function enables or disables the scanner from scanning the module in a specific slotnum. This applies to both the input and output scan. Slots that are disabled are not included in the I/O scan. By default, all slots are enabled.

Return Value:

Name:	Value:	Description:
SUCCESS	0	module was updated successfully
ERR_OCACCESS	2	handle does not have access to scanner
ERR_OCNOFORCES	15	no forces installed, scanner cannot enable forces
ERR_OCPARAM	8	parameter contains invalid value
ERR_OCRESPONSE	10	scanner did not respond to request
ERR_OCSCANCFG	14	scanner has not been configured

Considerations:

Supported in the DOS API library and the Windows NT API library

Example:

```
HANDLE      Handle;
int         retcode;

retcode = OC_EnableSlot( Handle, 6, SLOT_DISABLE );    /*
Exclude slot 6 */
```

OC_ErrorMsg

OC_ErrorMsg returns a descriptive text message associated with the API return value errcode.

Syntax:

```
int OC_ErrorMsg(int errcode, char **msg);
```

Description:

The null-terminated message string is placed in a static buffer that is reused each time this function is called. A pointer to this buffer is returned in msg.

Return Value:

Name:	Description:
SUCCESS	<code>errcode</code> was valid. <code>msg</code> points to corresponding error description.
ERR_OCPARAM	<code>errcode</code> was invalid. <code>msg</code> points to unknown error code string.

Considerations:

Supported in the DOS API library and the Windows NT API library.

Example:

```

HANDLE      Handle;

char        *msg;

int         rc;

if (SUCCESS != (rc = OC_OpenScanner(&Handle)))
{
    /* Open failed - display error message */

    OCErrMsg(rc, &msg);

    printf("Error: %s\n", msg);
}

```

OC_ExtendedErrMsg

OC_ExtendedErrMsg returns a descriptive text message associated with an extended error.

Syntax:

```

int         OC_ExtendedErrMsg(HANDLE handle, OCEXTERR
*exterr, char **msg);

```

Parameters:

Parameter:	Description:
handle	Must be a valid handle returned from OC_OpenScanner
exterr	Points to an extended error
msg	Points to a static buffer that contains a null-terminated message string for the associated extended error

Description:

This function is useful when displaying an error message. You should use `OC_GetExtendedError` to obtain the message before using `OC_ExtendedErrorMsg` to display the message. If you don't use `OC_GetExtendedError` first, `OC_ExtendedErrorMsg` displays a null message.

The `OCEXTERR` structure is defined as:

```
#define OCERRDATASIZE3 /* number of bytes of error data */
typedef struct tagOCEXTERR
{
    BYTE ErrorCode; /* Extended error code */
    BYTE SlotNum; /* Associated slot number */
    BYTE ErrorData[OCERRDATASIZE]; /* Error code data */
} OCEXTERR;
```

See appendix A for error codes.

Return Value:

Name:	Value:	Description:
SUCCESS	0	extended error information was read successfully
ERR_OCACCESS	2	handle does not have access to scanner

Considerations:

Supported in the DOS API library and the Windows NT API library

Example:

```
HANDLE      Handle;
OCEXTERR    exterr;
char        *msg;
int         retcode;

/* Should already have called
OC_GetExtendedError() to obtain exterr */

retcode = OC_ExtendedErrorMsg( Handle, &exterr,
&msg );

printf("ERROR:%s\n", msg);
```

OC_GetBatteryStatus

OC_GetBatteryStatus gets the current state of the battery of the scanner.

Syntax:

```
int          OC_GetBatteryStatus(HANDLE handle, BYTE
                                *batstate);
```

Parameters:

Parameter:	Description:
handle	Must be a valid handle returned from OC_OpenScanner
batstate	If <i>batstate</i> is: BATTERY_GOOD battery voltage is good BATTERY_LOW battery voltage has dropped below a reliable level

Description:

The battery provides backup power for the host retentive data (dual port RAM).

Return Value:

Name:	Value:	Description:
SUCCESS	0	battery state was read successfully
ERR_OCACCESS	2	<i>handle</i> does not have access to scanner
ERR_OCINIT	5	scanner has not been initialized, see OC_InitScanner

Considerations:

Supported in the DOS API library and the Windows NT API library

Example:

```
HANDLE      Handle;
BYTE        batt_sts;
int         retcode;

retcode = OC_GetBatteryStatus( Handle, &batt_sts );
```

OC_GetDeviceInfo

OC_GetDeviceInfo returns information about the scanner device.

Syntax:

```
int OC_GetDeviceInfo(HANDLE handle, OCDEVICEINFO *devinfo);
```

Description:

The OCDEVICEINFO is defined as:

```
{
WORD          ScannerType; /* scanner device type */
WORD          ScannerIrq; /* allocated interrupt */
DWORD        ScannerMemory; /* dual-port memory access */
WORD          ControlIo; /* PCIS control registers address */
DWORD        SRAM_Size; /* size of available SRAM in bytes */
} OCDEVICEINFO;
```

handle must be a valid handle returned from OC_OpenScanner.

Return Value:

Name:	Description:
SUCCESS	The extended error information was read successfully.
ERR_OCACCESS	handle does not have access to scanner

Considerations:

Supported in the DOS API library and the Windows NT API library.

Description:

```
HANDLE        Handle;
OCDEVICEINFO devinfo;

/* display size of available SRAM */
OC_GetDeviceInfo(Handle, &devinfo);
printf("SRAM Size is %ld bytes\n", devinfo.SRAM_Size);
```

OC_GetExtendedError

OC_GetExtendedError reads extended error information from the scanner.

Syntax:

```
int OC_GetExtendedError(HANDLE handle, OCEXTERR
*buf);
```

Parameters:

Parameter:	Description:
handle	Must be a valid handle returned from OC_OpenScanner
buf	Contains the extended error information If no extended error information is available, the error code field of buf will be 0.

Description:

The extended error information is written during Scan mode or its configuration. An API function that determines that the scanner has responded with an error returns an error code of ERR_OCEXTERR. OC_GetExtendedError retrieves the extended error information written by the scanner and removes the error from the scanner.

The library buffers extended errors in a queue. The queue can hold as many as 5 extended errors at one time. If the queue is full when a new extended error is received from the scanner, the oldest extended error is lost and ERR_OCOVERRUN is returned. The host application must call this function periodically to remove existing extended errors from the buffer.

The OCEXTERR structure is defined as:

```
#define OCERRDATASIZE3 /* number of bytes of error data */
typedef struct tagOCEXTERR
{
    BYTE      ErrorCode; /* Extended error code */
    BYTE      SlotNum; /* Associated slot number */
    BYTE      ErrorData[OCERRDATASIZE]; /* Error code data */
} OCEXTERR;
```

See appendix A for error codes.

Return Value:

Name:	Value:	Description:
SUCCESS	0	extended error information was read successfully
ERR_OCACCESS	2	handle does not have access to scanner
ERR_OCOVERRUN	16	an error message has been discarded

Considerations:

Supported in the DOS API library and the Windows NT API library

Example:

```
HANDLE      Handle;
OCEXTERR    exterr;
int         retcode;

retcode = OC_GetExtendedError( Handle, &exterr );
```

OC_GetInputImageUpdateCounter

OC_GetInputImageUpdateCounter reads the value of the input image update counter from the scanner and places it into `count`.

Syntax:

```
int         OC_GetInputImageUpdateCounter( HANDLE handle,
BYTE *count );
```

Parameters:

Parameter:	Description:
handle	Must be a valid handle returned from OC_OpenScanner
count	Contains the value of the input image update counter

Description:

The input image update counter is incremented by the scanner after each input scan.

The input image update counter is only incremented if the scanner is in Scan mode, input scans are enabled, and inputs are present. Use the counter to determine whether a change occurred; the value of the counter is not important. It is possible to configure a system with no inputs; in this case, the input image update counter would not be incremented.

Return Value:

Name:	Value:	Description:
SUCCESS	0	input image update counter was read successfully
ERR_OCACCESS	2	handle does not have access to scanner
ERR_OCINIT	5	scanner has not been initialized, see OC_InitScanner

Considerations:

Supported in the DOS API library and the Windows NT API library

Example:

```
HANDLE      Handle;
BYTE        count;
int         retcode;

retcode = OC_GetInputImageUpdateCounter( Handle, &count );
```

OC_GetIOConfiguration

OC_GetIOConfiguration queries the I/O rack about the installed rack sizes and I/O modules in each 1746 chassis.

ATTENTION

OC_GetIOConfiguration can take several milliseconds to complete, depending upon the rack configuration. While it is executing, I/O scanning and DII's are disabled.

Syntax:

```
int         OC_GetIOConfiguration(HANDLE handle, OCIOCFG
*iocfg);
```

Parameters:

Parameter:	Description:
handle	Must be a valid handle returned from OC_OpenScanner
iocfg	Specifies the rack sizes and installed modules Use the information in <code>iocfg</code> as input to OC_DownloadIOConfiguration to configure the scanner.

Description:

If the scanner is in Scan mode and OC_GetIOConfiguration returns successfully, OC_GetIOConfiguration enables the host application to access I/O. The scanner must have previously received a valid configuration prior to going to Scan mode.

The OCIOCFG structure is defined as:

```
typedef struct tagOCIOCFG
{
  BYTE      Rack1Size; /* number of slots in Rack 1 */
  BYTE      Rack2Size; /* number of slots in Rack 2 */
}
```

```

BYTE          Rack3Size; /* number of slots in Rack 3 */
OCSLOTCFG     SlotCfg[OCMAXSLOT]; /* configuration for each
slot */
} OCIOCFG;
    
```

Return Value:

Name:	Value:	Description:
SUCCESS	0	I/O configuration was read successfully
ERR_OCACCESS	2	handle does not have access to scanner
ERR_OCINIT	5	scanner has not been initialized, see OC_InitScanner
ERR_OCRESPONSE	10	scanner did not respond to request

Considerations:

Supported in the DOS API library and the Windows NT API library

Example:

```

HANDLE        Handle;
OCIOCFG       iocfg;
int           retcode;

retcode = OC_GetIOConfiguration( Handle, &iocfg );

/* Use OC_DownloadIOConfiguration() to download the
information */
    
```

OC_GetLastFaultCause

OC_GetLastFaultCause retrieves the cause of the last fault.

Syntax:

```

int           OC_GetLastFaultCause(HANDLE handle, BYTE
*FaultCode, int *SlotNum);
    
```

Parameters:

Parameter:	Description:
handle	Must be a valid handle returned from OC_OpenScanner
FaultCode	Points to the address that contains the fault cause If the value returned in FaultCode is 0, the scanner has not received any faults since it has been reset.
SlotNum	Slot number that caused the fault

Description:

When the scanner faults, an extended error is generated. The error code and slot number of the most recent fault is retained and returned by this function. The fault cause is a duplicate of the most recent extended error.

The OC_ClearFault function clears the fault in the scanner but does not clear the cause of the last fault.

See Appendix A for error codes.

Return Value:

Name:	Value:	Description:
SUCCESS	0	fault was cleared successfully
ERR_OCACCESS	2	handle does not have access to scanner
ERR_OCINIT	5	scanner has not been initialized, see OC_InitScanner

Considerations:

Supported in the DOS API library and the Windows NT API library

Example:

```

HANDLE      Handle;
BYTE        status, FaultCause;
int         FaultSlot;
int         retcode;

OC_GetScannerStatus ( Handle, &status );
if ( status = SCANSTS_FAULT )
{
    retcode = OC_GetLastFaultCause ( Handle,
    &FaultCause, &FaultSlot );
}

```

OC_GetMeasuredScanTime

OC_GetMeasuredScanTime returns the maximum and last observed I/O scan times.

Syntax:

```
int OC_GetMeasuredScanTime(HANDLE Handle, WORD
*maxtime, WORD *lasttime);
```

Parameters:

Parameter:	Description:
handle	Must be a valid handle returned from OC_OpenScanner
maxtime	Returns the maximum scan time
lasttime	Returns the last scan time

Description:

The scanner calculates these values at the end of each I/O scan. The values are represented in units of 250 microseconds.

The scan times are reset to zero when changing to Scan mode, and are not valid until the end of the second I/O scan. Only the timed I/O scans are measured; the demand input or output scans are not.

Return Value:

Name:	Value:	Description:
SUCCESS	0	measured scan time was read successfully
ERR_OCACCESS	2	handle does not have access to scanner
ERR_OCINIT	5	scanner has not been initialized, see OC_InitScanner

Considerations:

Supported in the DOS API library and the Windows NT API library

Example:

```
HANDLE Handle;
WORD max_time, last_time;
int retcode;

retcode = OC_GetMeasuredScanTime( Handle, &max_time,
&last_time );
```

OC_GetResetCause

This function can only be used on the 1747-OCF controller. The 1747-PCIS cannot reset the host.

Syntax:

```
int          OC_GetResetCause (HANDLE, handle, int *Cause);
```

Description:

OC_GetResetCause returns the reason the scanner was last reset. Handle must be a valid handle returned from OC_OpenScanner.

The cause of the last scanner reset is written to the address pointed to by Cause. If Cause is RESET_HOST_WD, the last scanner reset was caused by a Host Watchdog timeout. If Cause is RESET_NOT_HOST_WD, the last scanner reset was not caused by a Host Watchdog timeout.

If an application enables the host watchdog function and selects the WATCHDOG_RESET mode (see OC_SetHostWatchdog), this function may be called during initialization to determine if the system was reset due to a host watchdog timeout.

Return Value:

Name:	Value:	Description:
SUCCESS	0	Scanner watchdog count read successfully
ERR_OCACCESS	1	handle does not have access to scanner

Example:

```
HANDLE      Handle;
int          nResetCause;

/* if reset caused by host watchdog timeout, notify the
operator */OC_GetResetCause(Handle,&nResetCause);

if (nResetCause == RESET_HOST_WD) {printf("\nHost Watchdog
timed out and reset the system!!!\n");}
```

OC_GetScannerInitInfo

This function retrieves current information about the shared memory partitioning.

Syntax:

```
int OC_GetScannerInitInfo(HANDLE handle, OCINIT
*scaninit);
```

Parameters:

Parameter:	Description:
handle	Must be a valid handle returned from OC_OpenScanner
scaninit	Points to the structure that contains the initialization information this function returns

Description:

If the scanner has not been initialized, OC_GetScannerInitInfo returns an error.

If the scanner has been previously initialized, an application can retrieve the current scanner partitioning information with this function instead of resetting and re-initializing the scanner.

The OCINIT structure is defined as:

```
typedef struct tagOCINIT
{
    WORD OutputImageSize; /* size in bytes */
    WORD InputImageSize; /* size in bytes */
    WORD HostRetentiveDataSize; /* size in bytes */
} OCINIT;
```

Return Value:

Name:	Value:	Description:
SUCCESS	0	scanner initialization information was retrieved successfully
ERR_OCACCESS	2	handle does not have access to the scanner
ERR_OCINIT	5	scanner has not been initialized, see OC_InitScanner
ERR_OCPOST	7	scanner POST failed, see OC_GetScannerStatus

Considerations:

Supported in the DOS API library and the Windows NT API library

Example:

```

HANDLE      Handle;
OCINIT      scaninit;
int         retcode;

retcode = OC_GetScannerInitInfo( Handle, &scaninit );
if ( retcode == SUCCESS )
{
printf( "Input Image Size = %d bytes \n",
scaninit.InputImageSize );
printf( "Output Image Size = %d bytes \n",
scaninit.OutputImageSize );
printf( "Host Retentive Data Size = %d bytes \n",
scaninit.HostRetentiveDataSize );
}
else
/* handle error */

```

OC_GetScannerStatus

OC_GetScannerStatus reads the current status of the scanner.

Syntax:

```

int         OC_GetScannerStatus( HANDLE handle, BYTE
*scansts);

```

Parameters:

Parameter:	Description:
handle	Must be a valid handle returned from OC_OpenScanner
scansts	Status of the scanner

Description:

If `OC_GetScannerStatus` returns `SUCCESS`, `scansts` has one of these values:

This value:	Has this hex value:	Means the:
SCANSTS_BPIC	4	POST backplane IC test failed; scanner is halted
SCANSTS_CRC	2	software CRC checksum failed
SCANSTS_DPR	5	POST dual port RAM test failed; scanner is halted
SCANSTS_FAULT	13	scanner faulted; scanner is in Scan mode
SCANSTS_IDLE	11	scanner initialized; scanner is in Idle mode
SCANSTS_INIT	10	POST passed; waiting for <code>OC_InitScanner</code> from host
SCANSTS_INT	8	POST interrupt test failed; scanner is halted
SCANSTS_POST	1	power-on self test (POST) is in progress
SCANSTS_RAM	3	POST RAM test failed; scanner is halted
SCANSTS_SCAN	20	scanner initialized; scanner in Scan mode
SCANSTS_THERM	6	POST thermometer test failed; scanner is halted
SCANASTS_TIMER	7	POST timer test failed; scanner is halted
SCANSTS_WDOG	12	scanner watchdog timeout; scanner is halted

Return Value:

Name:	Value:	Description:
SUCCESS	0	scanner status was read successfully
ERR_OCACCESS	2	<code>handle</code> does not have access to scanner
ERR_OCEXTERR	11	scanner extended error message (<code>scansts</code> is returned)

Considerations:

Supported in the DOS API library and the Windows NT API library

Example:

```

HANDLE      Handle;
BYTE        scansts;
int         retcode;

retcode = OC_GetScannerStatus( Handle, &scansts );

```


OC_GetScanner WatchdogCount

OC_GetScannerWatchdogCount reads the contents of the watchdog register of the scanner.

Syntax:

```
int          OC_GetScannerWatchdogCount( HANDLE handle, BYTE
*count );
```

Parameters:

Parameter:	Description:
handle	Must be a valid handle returned from OC_OpenScanner
count	Returns the watchdog register contents

Description:

The watchdog register is incremented by the scanner after every timed I/O scan.

This register is incremented in both Scan and Idle modes, and is incremented even if both output and input scans are disabled. The control application can monitor this register to ensure that the scanner is functioning normally. It is also useful for synchronizing with the I/O scan.

Return Value:

Name:	Value:	Description:
SUCCESS	0	watchdog was read successfully
ERR_OCACCESS	2	handle does not have access to scanner

Considerations:

Supported in the DOS API library and the Windows NT API library

Example:

```
HANDLE      Handle;
BYTE        wdog_count;
int         retcode;
```

```
retcode = OC_GetScannerWatchdogCount( Handle, &wdog_count );
```

OC_GetStatusFile

OC_GetStatusFile reads a copy of the current scanner system status file into the STSFILE structure pointed to by `stsfil` on the scanner.

Syntax:

```
int OC_GetStatusFile(HANDLE handle, STSFILE *stsfil);
```

Parameters:

Parameter:	Description:
handle	Must be a valid handle returned from OC_OpenScanner
stsfil	Points to the STSFILE structure that contains scanner system status

Description:

The status file is updated by the scanner at the end of each I/O scan.

The STSFILE structure is defined as:

```
typedef struct tagSTSFILE
{
    WORD wWordNum[OCSTSFILEWSIZE];
} STSFILE;
```

The status file is organized by words. The status file uses these classifications to define the data each word contains:

Classification:	Means the data:
status	is used primarily to monitor scanner options or status. This information is usually not written by the application, except to clear a function such as a minor error bit.
dynamic configuration	can be written by application to select scanner options while in Scan mode.

The status file contains:

Word/Bit:	Classification:	Description:																								
0/0 to 0/4	status	Scanner mode/status <table border="0"> <tr> <td>bit 4</td> <td>bit 3</td> <td>bit 2</td> <td>bit 1</td> <td>bit 0</td> <td></td> </tr> <tr> <td>1</td> <td>0</td> <td>0</td> <td>0</td> <td>0</td> <td>= (16) download in progress</td> </tr> <tr> <td>1</td> <td>0</td> <td>0</td> <td>0</td> <td>1</td> <td>= (17) Idle mode (program)</td> </tr> <tr> <td>1</td> <td>1</td> <td>1</td> <td>1</td> <td>0</td> <td>= (30) Scan mode (run)</td> </tr> </table> All other values for bits 0-4 are reserved.	bit 4	bit 3	bit 2	bit 1	bit 0		1	0	0	0	0	= (16) download in progress	1	0	0	0	1	= (17) Idle mode (program)	1	1	1	1	0	= (30) Scan mode (run)
bit 4	bit 3	bit 2	bit 1	bit 0																						
1	0	0	0	0	= (16) download in progress																					
1	0	0	0	1	= (17) Idle mode (program)																					
1	1	1	1	0	= (30) Scan mode (run)																					
0/5	status	Forces enabled bit This bit is set if forces have been enabled.																								
0/6	status	Forces installed bit This bit is set is forces have been installed.																								

Word/Bit:	Classification:	Description:
0/7 to 0/12	reserved	
0/13	dynamic configuration	Major error halted bit This bit is set by the scanner when a major error is encountered. The scanner enters a fault condition. Word 2, Fault Code will contain a code which can be used to diagnose the fault condition. When bit 0/13 is set, the scanner places all outputs in a safe state and sets the Status LED to the fault state (flashing red). Once a major fault state exists, the condition must be corrected and bit 0/13 cleared before the scanner will accept a mode change request.
0/14	reserved	
0/15	status	First pass bit The bit is set by the scanner to indicate that the first I/O scan following entry into Scan mode is in progress. The scanner clears this bit following the first scan.
1/0 to 1/10	reserved	
1/11	status	Battery low bit This bit is set by the scanner when the Battery Low LED is on. It is cleared when the Battery Low LED is off.
1/12	status	DII overflow bit This bit is set by the scanner when a DII interrupt occurs and the scanner is unable to successfully transmit the DII Received priority message to the host.
1/13 to 1/15	reserved	
2	status	Major error fault code A code is written to this word by the scanner when a major error occurs. See word S:0/13. The code defines the type of fault. If not zero, the upper byte indicates the slot associated with the error. This word is not cleared by the scanner.
3 to 4	dynamic configuration	I/O slot enables These two words are bit mapped to represent the 30 possible I/O slots in an SLC 500 system. Bits 3/0 through 4/14 represent slots 0-30 (slot 0 is reserved for the 1746 I/O PCI Interface). Bit 4/15 is unused. When a bit is set (default condition), it allows the I/O module in the referenced slot to be updated in the I/O scan. When a bit is cleared, the corresponding I/O module will no longer be included in the I/O scan. Changes to the I/O slot enable bits will take affect at the end of the next I/O scan.
5	status	Maximum observed scan time This word indicates the maximum observed interval between consecutive I/O scans. The interval time is reported in units of 250 ms. Resolution of the observed scan time is +0 to -250 ms. For example, the value 10 indicates that 2.25-2.5 ms was the longest scan time.
6	dynamic configuration	Index register This word indicates the element offset used in indexed addressing.

Word/Bit:	Classification:	Description:
7 to 8	status	I/O interrupt pending These two words are bit-mapped to the 30 I/O slots. Bits 7/1 through 8/14 refer to slots 1-30. Bits 7/0 and 8/15 are not used. The pending bit associated with a slot is set when an interrupt request is received from that slot. This bit is set regardless of the state of the I/O interrupt enabled bit (see word 9 and 10).
9 to 10	status	I/O interrupt enabled These two words are bit-mapped to the 30 I/O slots. Bits 9/1 through 10/14 refer to slots 1-30. Bits 9/0 and 10/15 are not used. The corresponding enable bit must be set in order for an I/O interrupt received priority message to be generated when a module issues an interrupt request.
11/0 to 11/8	reserved	
11/9	status	I/O scan toggle bit This bit is cleared upon entry into Scan mode and is toggled (changes state) at the end of every I/O scan.
11/10	dynamic configuration	DII reconfiguration bit If the bit is set by the host, the DII function will reconfigure itself at the end of the next I/O scan.
11/11 to 11/15	reserved	
12	status	Last I/O scan time This word indicates the current observed interval between consecutive I/O scans. The interval time is reported in units of 250 ms. Resolution of the last scan time is +0 to -250 ms. For example, the value 10 indicates that 2.25-2.5 ms was the last scan time.
13	dynamic configuration	DII function enable A value of zero written to this word will disable the discrete input interrupt function. Any non-zero value will enable the function.
14	dynamic configuration	DII slot number This word is used to configure the DII function. The slot number (1-30) that contains the discrete I/O module should be written to this word. The scanner will fault if the slot is empty or contains a non-discrete I/O module. This word is applied upon detection of the DII reconfigure bit 11/10 or upon entry to Scan mode.
15	dynamic configuration	DII bit mask This word contains a bit-mapped value that corresponds to the bits to monitor on the discrete I/O module. Only bits 0-7 are used in the DII function. Setting a bit indicates that it is to be included in the comparison of the discrete I/O module's bit transition to the DII compare value (word 16). Clearing a bit indicates that the transition state of that bit is a "don't care." This word is applied upon detection of the DII reconfigure bit 11/10 and at the end of each I/O scan.

Word/Bit:	Classification:	Description:
16	dynamic configuration	<p>DII compare value</p> <p>This word contains a bit-mapped value that corresponds to the bit transitions that must occur in the discrete I/O module for a count or interrupt to occur. Only bits 0-7 are used in the DII function. Setting a bit indicates that the bit must transition from a 0 to a 1 to satisfy the compare condition for that bit. Clearing a bit indicates that the bit must transition from a 1 to a 0 in order to satisfy the compare condition for that bit. An interrupt or count will be generated upon the last bit transition of the compare value.</p> <p>This word is applied upon detection of the DII reconfigure bit 11/10 and at the end of each I/O scan.</p>
17	dynamic configuration	<p>DII preset</p> <p>When this value is 0 or 1, an interrupt is generated each time the bit transition comparison is satisfied (see words 15 and 16). When this value is 2-65535, a count occurs each time the bit transition comparison is satisfied. When the total number of counts equals the DII preset value, an interrupt will be generated.</p> <p>This word is applied upon detection of the DII reconfigure bit 11/10 and at the end of each I/O scan.</p>
18	status	<p>DII accumulator</p> <p>The DII accumulator contains the number of count transitions that have occurred (see word 17). When a count occurs and the accumulator is greater than or equal to the preset value, a DII interrupt is generated.</p>
19	status	<p>Scanner firmware series</p> <p>This word indicates the scanner firmware series number. The series and revision numbers are used to identify versions of firmware.</p>
20	status	<p>Scanner firmware revision</p> <p>This word indicates the scanner firmware revision number. The series and revision numbers are used to identify versions of firmware.</p>
21	status	<p>1746 I/O PCI Interface hardware series</p> <p>This word indicates the 1746 I/O PCI Interface hardware series number. The series and revision numbers are used to identify versions of firmware.</p>
22	status	<p>1746 I/O PCI Interface hardware revision</p> <p>This word indicates the 1746 I/O PCI Interface hardware revision number. The series and revision numbers are used to identify versions of firmware.</p>
23	status	<p>Scanner RAM size</p> <p>This word indicates the size of RAM in 16-bit K words. For example, a value of 64 indicates 64K words, or 128K bytes.</p>
24	status	<p>Scanner flash ROM size</p> <p>This word indicates the size of flash ROM in 16-bit K words. For example, a value of 64 indicates 64K words, or 128K bytes.</p>

Return Value:

Name:	Value:	Description:
SUCCESS	0	system status file was read successfully
ERR_OCACCESS	2	handle does not have access to scanner

Considerations:

Supported in the DOS API library and the Windows NT API library

Example:

```

HANDLE      Handle;
STSFILe    stsfile;
int         retcode;

retcode = OC_GetStatusFile( Handle, &stsfile );

```

OC_GetSwitchPosition

OC_GetSwitchPosition reads the current position of the three-position front-panel switch from the scanner.

Syntax:

```

int         OC_GetSwitchPosition(HANDLE handle, BYTE
*swpos);

```

Parameters:

Parameter:	Description:
handle	Must be a valid handle returned from OC_OpenScanner
swpos	If swpos is: SWITCH_TOP switch is in the top position SWITCH_MIDDLE switch is in the middle position SWITCH_BOTTOM switch is in the bottom position

Description:

The switch position has no effect on the scanner. The application can use this switch for any purpose.

The scanner must be initialized before you can monitor the switch position.

Return Value:

Name:	Value:	Description:
SUCCESS	0	switch position was read successfully
ERR_OCACCESS	2	handle does not have access to scanner
ERR_OCINIT	5	scanner has not been initialized, see OC_InitScanner

Considerations:

Supported in the DOS API library and the Windows NT API library

Example:

```

HANDLE      Handle;
BYTE        sw_pos;
int         retcode;

retcode = OC_GetSwitchPosition( Handle, &sw_pos );

if ( sw_pos == SWITCH_BOTTOM )
    OC_SetScanMode ( Handle, SCAN_IDLE );

```

OC_GetTemperature

OC_GetTemperature reads the current temperature of the 1746 I/O PCI Interface's built-in thermometer.

Syntax:

```
int         OC_GetTemperature(HANDLE handle, BYTE*temp);
```

Parameters:

Parameter:	Description:
handle	Must be a valid handle returned from OC_OpenScanner
temp	Returns the temperature in degrees Celsius

Description:

The temperature is updated every 10 seconds by the scanner.

The optimal operating temperature range for the 1746 I/O PCI Interface is 0° to 60°C. When OC_GetTemperature returns a value of 75_ C or higher, the 1746 I/O PCI Interface is operating beyond its optimal operating temperature range and you need to correct the situation.

The scanner must be initialized before you can monitor the temperature.

Return Value:

Name:	Value:	Description:
SUCCESS	0	temperature was read successfully
ERR_OCACCESS	2	handle does not have access to scanner
ERR_OCINIT	5	scanner has not been initialized, see OC_InitScanner

Considerations:

Supported in the DOS API library and the Windows NT API library

Example:

```

HANDLE      Handle;
BYTE        temp;
int         retcode;

retcode = OC_GetTemperature( Handle, &temp );

```

OC_GetUserJumper State

OC_GetUserJumperState reads the state of the user selectable jumper.

Syntax:

```

int         OC_GetUserJumperState(HANDLE handle, BYTE
* jmptr );

```

Parameters:

Parameter:	Description:
handle	Must be a valid handle returned from OC_OpenScanner
jmptr	If jmptr is: JUMPER_PRESENT jumper is installed JUMPER_ABSENT jumper is not installed

Description:

The scanner reads the state of the jumper once during its POST and does not continually monitor the state of the jumper.

The scanner must be initialized before you can monitor the jumper position.

Return Value:

Name:	Value:	Description:
SUCCESS	0	switch position was read successfully
ERR_OCACCESS	2	handle does not have access to scanner
ERR_OCINIT	5	scanner has not been initialized, see OC_InitScanner

Considerations:

Supported in the DOS API library and the Windows NT API library

Example:

```

HANDLE      Handle;
BYTE        jmptr;
int         retcode;

retcode = OC_GetUserJumperState( Handle, &jmpr );

```

OC_GetUserLEDState

OC_GetUserLEDState reads the status of one of the four user-defined LEDs.

Syntax:

```

int         OC_GetUserLEDState(HANDLE handle, int lednum,
int *state);

```

Parameters:

Parameter:	Description:
handle	Must be a valid handle returned from OC_OpenScanner
lednum	Must be a value from 1 to 4, which corresponds to LED 1, LED 2, LED 3, and LED 4
state	If state is: LED_OFF LED is off LED_RED_SOLID LED is on, red solid LED_GREEN_SOLID LED is on, green solid LED_RED_FLASH LED is on, red flashing (LED1 and LED2 only) LED_GREEN_FLASH LED is on, green flashing (LED1 and LED2 only)

Description:

The application can use this function to determine the current state of the LEDs.

Return Value:

Name:	Value:	Description:
SUCCESS	0	LED was read successfully
ERR_OCACCESS	2	handle does not have access to scanner

Considerations:

Supported in the DOS API library and the Windows NT API library

Example:

```

HANDLE      Handle;
int         led_state;
int         retcode;

retcode = OC_GetUserLEDState( Handle, 1, &led_state );

```

OC_GetVersionInfo

OC_GetVersionInfo retrieves the current version of the API library, 1746 I/O PCI Interface hardware, and scanner firmware.

Syntax:

```

int         OC_GetVersionInfo(HANDLE handle, OCVERSIONINFO
*verinfo);

```

Parameters:

Parameter:	Description:
handle	Must be a valid handle returned from OC_OpenScanner
verinfo	Returns the current version of the API library, 1746 I/O PCI Interface hardware, and scanner firmware

Description:

The scanner must be initialized before this function returns valid version information.

The OCVERSIONINFO structure is defined as:

```

typedef struct tagOCVERSIONINFO
{
    WORD      APISeries; /* API series */
    WORD      APIRevision; /* API revision */
    WORD      ScannerFirmwareSeries; /* Scanner firmware
series */
    WORD      ScannerFirmwareRevision; /* Scanner firmware
revision */
    WORD      OCHardwareSeries; /* Hardware series */
}

```

```
WORD          OCHardwareRevision; /* Hardware revision */
} OCVERSIONINFO;
```

The Windows NT version uses the above structure with these additional members:

```
WORD          OCDriverSeries; /* Device driver series */
WORD          OCDriverRevision /* Device driver
series revision */
```

Return Value:

Name:	Value:	Description:
SUCCESS	0	version information was read successfully
ERR_OCACCESS	2	handle does not have access to scanner
ERR_OCINIT	5	scanner has not been initialized, see OC_InitScanner

Considerations:

Supported in the DOS API library and the Windows NT API library

Example:

```
HANDLE          Handle;
OCVERSIONINFO   verinfo;
int             retcode;

retcode = OC_GetVersionInfo( Handle, &verinfo );
```

OC_InitScanner

This function initializes the shared memory interface between the host and scanner and this function configures the shared memory partitioning.

Syntax:

```
int             OC_InitScanner(HANDLE handle, OCINIT *scaninit);
```

Parameters:

Parameter:	Description:
handle	Must be a valid handle returned from OC_OpenScanner
scaninit	Points to the structure that contains the initialization information passed from the application

Description:

If the scanner is executing POST when this function is called, ERR_OCPOST is returned.

If the scanner has been previously initialized and the partition information in `scaninit` is identical to the current scanner partitioning, `OC_InitScanner` returns successfully.

If the scanner has been previously initialized and the partition information in `scaninit` is different from the current scanner partitioning, `OC_InitScanner` returns an error value that indicates that the scanner was previously initialized. The scanner must be reset via `OC_ResetScanner` before the initialization information can be changed. If the scanner has already been initialized, you can call `OC_GetScannerInitInfo` to retrieve current partition information.

The OCINIT structure is defined as:

```
typedef struct tagOCINIT
{
    WORD      OutputImageSize; /* size in bytes */
    WORD      InputImageSize; /* size in bytes */
    WORD      HostRetentiveDataSize; /* size in bytes */
} OCINIT;
```

Return Value:

Name:	Value:	Description:
SUCCESS	0	scanner was initialized successfully
ERR_OCACCESS	2	<code>handle</code> does not have access to the scanner
ERR_OCMEM	3	shared memory not found
ERR_OCPAR	6	initialization failed due to invalid partition information
ERR_OCPOST	7	POST in progress or scanner POST failed, see <code>OC_GetScannerStatus</code>
ERR_OCREINIT	4	scanner has already been initialized
ERR_OCRESPONSE	10	scanner did not respond to request

Considerations:

Supported in the DOS API library and the Windows NT API library

Example:

```
HANDLE      Handle;
OCINIT      scaninit;
int         retcode;
```

```

scaninit.InputImageSize = 128; /* 64 words for input image */
scaninit.OutputImageSize = 128; /* 64 words for output image */
scaninit.HostRetentiveDataSize = 500; /* 256 words for host
data area */

retcode = OC_InitScanner( Handle, &scaninit );

```

OC_OpenScanner

OC_OpenScanner acquires access to the scanner device and sets a unique ID that the application uses to access the scanner in subsequent functions.

Syntax:

```

DOS      int      OC_OpenScanner(HANDLE *handle, 0, 0);

(OCE only) int      OC_OpenScanner(HANDLE*handle,
WORD segaddr, BYTE irqnum)

NT      int      OC_OpenScanner(HANDLE *handle);

```

IMPORTANT

The two argument values of zero are ignored by the DOS API function. They are a carryover from the Open Controller API.

Description:

This function must be called before any of the other scanner access functions can be used.

ATTENTION



After OC_OpenScanner has been called, OC_CloseScanner **must** be called before exiting the application.

segaddr defines the segment address of the scanner's shared memory in the host processor's memory map. segaddr must contain one of the segment addresses in Table 2. Otherwise, the scanner cannot be opened.

The shared memory segment address must be set to an address that does not conflict with other hardware and software. The recommended segment address is 0xC800. You can use any of the following shared segment addresses (listed in hex):

- C000 - D000
- C200 - D200
- C400 - D400
- C600 - D600
- C800 - D800
- CA00 - DA00
- CC00 - DC00
- CE00 - DE00

irqnum defines the ISA-bus interrupt number assigned to the scanner. irqnum must be set to one of the values listed in the table below or the scanner cannot be opened. The MS-DOS API library communicates with the scanner via interrupts and installs an interrupt service routine for the interrupt. The application must not service these interrupts.

The IRQ assignment must be set to an interrupt that does not conflict with other hardware and software. The recommended interrupt assignment is IRQ11.

irqnum:	IRQ assignment:
10	IRQ10
11	IRQ11
12	IRQ12
14	IRQ14
15	IRQ15

Return Value:

Name:	Value:	Description:
SUCCESS	0	scanner was opened successfully
ERR_OCOPEN	1	scanner is already open
ERR_OCPARAM	2	invalid value in segaddr or irqnum
ERR_OCMEM	3	shared memory not found

Considerations:

Supported in the DOS API library and the Windows NT API library

Example:

```
HANDLE      Handle;
int         retcode;

retcode     = OC_OpenScanner(&Handle, 0, 0 );

if OC_OpenScanner(&Handle, 0xC800, IRQ11) != SUCCESS)
{printf('Scanner could not be opened!\n');}
```

OC_PetHostWatchdog

OC_PetHostWatchdog increments the host-to-scanner watchdog register of the scanner.

Syntax:

```
void        OC_PetHostWatchdog(HANDLE handle);
```

Parameters:

Parameter:	Description:
handle	Must be a valid handle returned from OC_OpenScanner

Description:

OC_PetHostWatchdog must be called at time intervals less than the timeout value specified in the OC_SetHostWatchdog function.

Return Value:

Name:	Value:	Description:
SUCCESS	0	watchdog was updated successfully
ERR_OCACCESS	2	handle does not have access to scanner

Considerations:

Supported in the DOS API library and the Windows NT API library

Example:

```
HANDLE      Handle;

retcode = OC_PetHostWatchdog( Handle );
```

OC_PollScanner

OC_PollScanner reads module I/O interrupt, discrete input interrupt, and end-of-scan notification messages from the scanner.

Syntax:

```
int          OC_PollScanner(HANDLE handle, int MsgFilter,
                           MSGBUF *msgbuf);
```

Parameters:

Parameter:	Description:
handle	Must be a valid handle returned from OC_OpenScanner
MsgFilter	<p>If <code>MsgFilter</code> is:</p> <p>OCMSG_DIINT OCMSG_IOINT, OCMSG_EOS, OC_PollScanner returns a message only OCMSG_EOS_DMDIN of the corresponding type, if any</p> <p>or</p> <p>OCMSG_EOS_DMDOUT OCMSG_ANY OC_PollScanner searches for a message, in the order OCMSG_DIINT, OCMSG_IOINT, OCMSG_EOS_DMDIN, OCMSG_EOS_DMDOUT, then OCMSG_EOS, from any of the sources.</p>
msgbuf	A structure that contains scanner messages

Description:

The MSGBUF structure is defined as:

```
typedef struct {
  BYTE      MsgID;
  BYTE      MsgData[4];
} MSGBUF;
```


The `MsgID` member of the `msgbuf` structure will be one of the following values:

This value:	Means:
OCMSG_NONE	No message available
OCMSG_IOINIT	I/O module interrupt message, see <code>OC_SetModuleInterrupt</code>
OCMSG_DIINT	Discrete input interrupt message, see <code>OC_ConfigureDII</code>
OCMSG_EOS_DMDIN	End-of-scan notification message from <code>OC_DemandInputScan</code> command, see <code>OC_EnableEOSNotify</code>
OCMSG_EOS_DMDOUT	End-of-scan notification message from <code>OC_DemandOutputScan</code> command, see <code>OC_EnableEOSNotify</code>
OCMSG_EOS	End-of-scan notification message for timed I/O scan, see <code>OC_EnableEOSNotify</code>

The data returned in the `MsgData` member array depends upon the value in `MsgID`:

This <code>MsgID</code>:	Returns:
<code>MsgID=OCMSG_IOINIT</code>	<code>MsgData[0]</code> slot number that generated the interrupt
<code>MsgID=OCMSG_DIINT</code>	<code>MsgData[0]</code> mask of last bit transition that generated the interrupt <code>MsgData[2]</code> lowbyte of count of matches that generated the interrupt <code>MsgData[3]</code> highbyte of count of matches that generated the interrupt
<code>MsgID=OCMSG_EOS_DMDIN</code> <code>MsgID=OCMSG_EOS_DMDOUT</code> <code>MsgID=OC_EOS</code>	<code>MsgData[0]</code> number of scans that occurred since the last end-of-scan message of this type was read

Separate queues hold messages received from each source. The host application must call `OC_PollScanner` periodically to read messages from each enabled source to prevent messages from being discarded. If a message queue is full when a new message is received, the oldest message is discarded and the next call to `OC_PollScanner` results in a return value of `ERR_OCOVERRUN`. The queue can hold as many as five messages.

Return Value:

Name:	Value:	Description:
SUCCESS	0	scanner was polled successfully
ERR_OCACCESS	2	<code>handle</code> does not have access to scanner
ERR_OCOVERRUN	16	a message has been discarded

Considerations:

Supported in the DOS API library and the Windows NT API library

Example:

```

HANDLE      Handle;
MSGBUF      msgbuf;
int         retcode;

retcode = OC_PollScanner( Handle, OCMSG_ANY, &msgbuf );

/* Check msgbuf.MsgID for what message is available */

```

OC_ReadHostRetentive Data

OC_ReadHostRetentiveData reads the host-retentive-data partition of the scanner.

Syntax:

```

int         OC_ReadHostRetentiveData(HANDLE handle, BYTE
*buf, WORD offset, WORD len);

```

Parameters:

Parameter:	Description:
handle	Must be a valid handle returned from OC_OpenScanner
buf	Contains the data that is read
offset	The data is read <code>offset</code> bytes from the beginning of the data partition If the number of bytes from <code>offset</code> to the end of the partition is smaller than <code>len</code> , no bytes will be read and ERR_OCPARAM is returned.
len	Defines how many bytes to read

Description:

Data is not read past the end of the host-retentive-data partition.

It is recommended that you verify the integrity of the data stored in the host-retentive-data partition. You can use the OC_CalculateCRC function to generate a 16-bit CRC.

IMPORTANT

On the **1747-PCIS only**, the jumper for the battery-backup dual-port memory is disabled by default. You must switch the jumper to enable the battery-backup feature.

The 1747-OCF dual port is NOT battery-backed.

Return Value:

Name:	Value:	Description:
SUCCESS	0	host retentive data was written successfully
ERR_OCACCESS	2	<code>handle</code> does not have access to scanner
ERR_OCINIT	5	scanner has not been initialized, see <code>OC_InitScanner</code>
ERR_OCPARAM	8	parameter contains invalid value

Considerations:

Supported in the DOS API library and the Windows NT API library

Example:

```

HANDLE      Handle;
BYTE        retent_data[500];
int         retcode;

retcode =   OC_ReadHostRetentiveData( Handle, retent_data,
                                0, 500 );

```

OC_ReadInputImage

`OC_ReadInputImage` reads the current input image from the scanner.

Syntax:

```

int         OC_ReadInputImage(HANDLE handle,
                               WORD *inpimgcpy, int slotnum, WORD offset,
                               WORD len, WORD *imagebuf);

```

Parameters:

Parameter:	Description:
<code>handle</code>	Must be a valid handle returned from <code>OC_OpenScanner</code>
<code>inpimgcpy</code>	If <code>inpimgcpy</code> is: NULL <code>OC_ReadInputImage</code> reads data directly from the input image in the scanner's shared memory. not NULL <code>OC_ReadInputImage</code> reads data from <code>inpimgcpy</code> which contains a copy of the scanner's input image.
<code>slotnum</code> <code>offset</code> <code>len</code>	If <code>slotnum</code> is: positive input data for that slot is read into the array pointed to by <code>imagebuf</code> . Then <code>imagebuf</code> contains <code>len</code> words of input data starting at word <code>offset</code> of the module in the slot. Data will not be read past the end of the input image for the slot. -1 the entire input image is read into the array pointed to by <code>imagebuf</code> , and <code>offset</code> and <code>len</code> are ignored.
<code>imagebuf</code>	Must point to an array that is large enough to accept the amount of data in the requested input image

Description:

To guarantee that a series of calls to `OC_ReadInputImage` read data from a single input scan, `OC_ReadInputImage` can first be called to read the entire input image into a local buffer pointed to by `imagebuf`, with the `inpimgcpy` pointer set to `NULL` and `slotnum` set to `-1`. The `imagebuf` buffer can then be passed as `inpimgcpy` in subsequent `OC_ReadInputImage` calls to retrieve the slot data from the copy of the input image. This preserves input image file integrity across multiple calls to `OC_ReadInputImage`.

If file integrity is not necessary, the host application can set `inpimgcpy` to `NULL` and access data directly from shared memory.

Return Value:

Name:	Value:	Description:
SUCCESS	0	input image was read successfully
ERR_OCACCESS	2	<code>handle</code> does not have access to scanner
ERR_OCPARAM	8	parameter contains invalid value
ERR_OCSCANCFG	14	scanner has not been configured
ERR_OCSLOT	12	slot number is invalid

Considerations:

Supported in the DOS API library and the Windows NT API library

Example:

```

HANDLE      Handle;
WORD        inputdata[2];
int         retcode;

retcode =   OC_ReadInputImage( Handle, NULL, 6, 0, 2,
                               inputdata );

/* Read slot 6 data, first 2 words, directly from the input
image */
/* table to inputdata buffer */

```

OC_ReadIOConfigFile

OC_ReadIOConfigFile reads the configuration data that is already stored in the DOS file created using OC_WriteIOConfigFile.

Syntax:

```
int          OC_ReadIOConfigFile(OCIOCFG *iocfg, char *
                               filename);
```

Parameters:

Parameter:	Description:
iocfg	A structure that contains a copy of the configuration data that is in filename
filename	References a file that was created using OC_WriteIOConfigFile

Description:

If G file data is included in the configuration file, OC_ReadIOConfigFile allocates memory for the data and initializes the G data values to point to the allocated memory. The host application should release the allocated memory via the `free()` function when it is no longer needed.

Return Value:

Name:	Value:	Description:
SUCCESS	0	I/O configuration file was read successfully
ERR_OCFILEERROR	19	error encountered while opening or reading the file

Considerations:

Supported in the DOS API library and the Windows NT API library

Example:

```
OCIOCFG      iocfg;
int          retcode;

/* DOS file named RACK1.CFG, is storing the rack configuration
info. */

retcode = OC_ReadIOConfigFile( &iocfg, "RACK1.CFG" );

/* Use OC_DownloadIOConfiguration() to download the
information */
```

OC_ReadModuleFile

OC_ReadModuleFile reads a data file from a module.

Syntax:

```
int OC_ReadModuleFile(HANDLE handle, BYTE ftype,
WORD *mfile, int slotnum, WORD offset, WORD len);
```

Parameters:

Parameter:	Description:
handle	Must be a valid handle returned from OC_OpenScanner
ftype	Defines the module type as: FILTYP_M0 M0 file FILTYP_M1 M1 file FILTYP_G G file
mfile	Buffer file that contains data read from the module at slotnum The data in mfile is read from the module starting at word offset. This function does not read data past the end of the module file for the slot.
slotnum	Must be a valid slot number
offset	Must be valid word number within module file
len	Number of words read from the module located at slotnum on the scanner into the buffer mfile

Description:

This function accesses an internal data file of the selected module. I/O scanning is blocked while this access takes place.

Return Value:

Name:	Value:	Description:
SUCCESS	0	file was read successfully
ERR_OCACCESS	2	handle does not have access to scanner
ERR_OCPARAM	8	parameter contains invalid value
ERR_OCRESPONSE	10	scanner did not respond to request
ERR_OCSCANCFG	14	scanner has not been configured
ERR_OCSLOT	12	slot number is invalid

Considerations:

Supported in the DOS API library and the Windows NT API library

Example:

```

HANDLE      Handle;
WORD        filedata[2];
int         retcode;

retcode =   OC_ReadModuleFile( Handle, FILTYP_M1, filedata,
                          6, 3, 2 );

/* Reads words 3 and 4 from module in slot 6. */

```

OC_ReadOutputImage

OC_ReadOutputImage reads the current output image from the scanner.

Syntax:

```

int         OC_ReadOutputImage(HANDLE handle, WORD *
                          outimgcpy, int slotnum,
WORD offset, WORD len, WORD *imagebuf);

```

Parameters:

Parameter:	Description:
handle	Must be a valid handle returned from OC_OpenScanner
outimgcpy	If <code>outimgcpy</code> is: NULL OC_ReadOutputImage reads data directly from the output image in the scanner's shared memory. not NULL OC_ReadInputImage reads data from <code>outimgcpy</code> which contains a copy of the scanner's output image.
slotnum offset len	If <code>slotnum</code> is: positive the output image for that slot is read into the array pointed to by <code>imagebuf</code> . Then <code>imagebuf</code> is filled with <code>len</code> words of output data starting at word <code>offset</code> of the module in the slot. -1 the entire output image is read into the array pointed to by <code>imagebuf</code> , and <code>offset</code> and <code>len</code> are ignored.
imagebuf	Must point to an array that is large enough to accept the amount of data in the requested output image

Description:

Since the scanner never changes data in the output image, it is not necessary to copy the image, as with the OC_ReadInputImage function, to preserve file integrity. It is supported, however, to provide a consistent interface.

Return Value:

Name:	Value:	Description:
SUCCESS	0	output image was read successfully
ERR_OCACCESS	2	handle does not have access to scanner
ERR_OCPARAM	8	parameter contains invalid value
ERR_OCSCANCFG	14	scanner has not been configured
ERR_OCSLOT	12	slot number is invalid

Considerations:

Supported in the DOS API library and the Windows NT API library

Example:

```

HANDLE      Handle;
WORD        outputdata[2];
int         retcode;

retcode =   OC_ReadOutputImage( Handle, NULL, 6, 0, 2,
                          outputdata );

/* Read slot 6 data, first 2 words, directly from the output
image */
/* table to outputdata buffer */

```

OC_ReadSRAM

OC_ReadSRAM reads data from the battery-backed user memory.

Syntax:

```

int         OC_ReadSRAM(HANDLE Handle, BYTE *bufptr,
                       DWORD offset, DWORD length);

```

Description:

The battery-backed memory may be used to store important data that needs to be preserved in the event of a power failure. The size of the available memory in bytes may be obtained using OC_GetDeviceInfo.

IMPORTANT

It is recommended that the integrity of data stored in the user memory be verified by some means. The OC_CalculateCRC function may be used to generate a 16-bit CRC that may be used for this purpose.

handle must be a valid handle returned from OC_OpenScanner. bufptr points to a buffer to be receive the data. offset specifies

the offset within the memory to begin reading. `length` specifies the number of bytes to be read.

If `offset + length` points past the end of the memory, no bytes will be written and `ERR_OCPRAM` will be returned.

Return Value:

Name:	Description:
SUCCESS	data was read successfully
ERR_OCACCESS	<code>handle</code> does not have access to scanner
ERR_OCPARAM	<code>offset+length</code> points past the end of the memory

Considerations:

Supported in the Windows NT API library only.

Example:

```

Byte          buf[100] / * buffer of 100 bytes of important
              data * /

HANDLE handle;

Word crc, crc_saved;

/* Read 100 bytes of data from offset 0 in SRAM */
OC_ReadSRAM(handle, buf, 0, 100);

/* Calculate CRC */
OC_CalculateCRC(buf, 100, &crc);

/* Read saved CRC at offset 100 in SRAM */
OC_ReadSRAM(handle, &crc_saved, 100, 2);

/* Check CRC */

if (crc != saved_crc)

printf("ERROR: Data is corrupted.\n");

```

OC_ResetScanner

OC_ResetScanner generates a hard or soft reset to the scanner.

ATTENTION

This call stops scanning and resets outputs.

*Syntax:*

```
int OC_ResetScanner(HANDLE handle, int mode);
```

Parameters:

Parameter:	Description:
handle	Must be a valid handle returned from OC_OpenScanner
mode	If <code>mode</code> is: OCNOWAIT OC_ResetScanner returns after releasing the reset signal to the scanner. OCWAIT OC_ResetScanner returns after POST is completed. OCSOFTRESET OC_ResetScanner reinitializes while avoiding the 7-second POST delay. In this mode, the scanner performs a warm-boot and bypasses the POST. The dual-port RAM can be epartitioned quickly. The scanner stops scanning, resets all outputs, and returns to the power-on condition. After the reset is complete, you must call OC_InitScanner to initialize the shared memory interface.

Description:

After the reset is generated, the scanner begins to execute its POST.

Return Value:

Name:	Value:	Description:
SUCCESS	0	scanner was reset successfully
ERR_OCACCESS	2	<code>handle</code> does not have access to the scanner
ERR_OCPOST	7	scanner POST failed

Considerations:

Supported in the DOS API library and the Windows NT API library

Example:

```

HANDLE        Handle;
int            retcode;

retcode = OC_ResetScanner( Handle, OCWAIT );

```

OC_SetForces

OC_SetForces installs and removes input and output forces to the scanner.

Syntax:

```
int          OC_SetForces(HANDLE handle, FORCEDATA
                      * forcedata)
```

Parameters:

Parameter:	Description:
handle	Must be a valid handle returned from OC_OpenScanner
forcedata	Defines the inputs and outputs to force.

Description:

If the result of OC_SetForces removes all I/O forces, the scanner disables forces. If any I/O forces are later installed, OC_EnableForces must be called to re-enable forces.

The FORCEDATA structure is defined as:

```
typedef struct tagFORCEDATA {
    BYTE          SlotNum; /* Slot Number of local I/O or
                          1747-SN module (1-30)*/
    WORD          WordOffset; /* Word Offset in I/O image */
    BYTE          IOType; /* Selects Input or Output Image */
    WORD          ForceMask; /* Install/Remove bitmask */
    WORD          ForceVal; /* Install value bitmask */
} FORCEDATA;
```

This value:	Means:
SlotNum WordOffset	SlotNum and wordOffset select the word of I/O that contains the bits to be forced
IOType	IOType must be FORCE_INPUTS or FORCE_OUTPUTS
ForceMask ForceVal	All 16 bits of the word are installed/removed according to ForceMask and ForceVal Each bit in ForceMask that is set to 0 will have its force removed. Each bit in ForceMask that is set to 1 will have its force installed. For each bit that has its force installed, the corresponding bit in ForceVal determines the state of the force. For bits that have their force removed, the corresponding bit in ForceVal is ignored.

Return Value:

Name:	Value:	Description:
SUCCESS	0	I/O forces were configured successfully
ERR_OCACCESS	2	handle does not have access to scanner
ERR_OCPARAM	8	parameter contains invalid value
ERR_OCRESPONSE	10	scanner did not respond to request
ERR_OCSCANCFG	14	scanner has not been configured
ERR_OCSLOT	12	slot number is invalid

Considerations:

Supported in the DOS API library and the Windows NT API library

Example:

```

HANDLE      handle;
FORCEDATA   forces;
int         retcode;

/* Force low byte of input word 1 of slot 6 to 0x5A */
forces.SlotNum = 6;
forces.WordOffset = 1;
forces.IOType = FORCE_INPUTS;
forces.ForceMask = 0x00FF;
forces.ForceVal = 0x005A;

retcode = OC_SetForces( handle, &forces );

/* Must call OC_EnableForces() to actually apply the force
data */

```

OC_SetHostWatchdog

OC_SetHostWatchdog sets the host-to-scanner watchdog delay and mode of the scanner.

Syntax:

```

int         OC_SetHostWatchdog(HANDLE handle, int mode,
WORD delay);

```

Parameters:

Parameter:	Description:
handle	Must be a valid handle returned from OC_OpenScanner
mode	<p>If <code>mode</code> is:</p> <p>WATCHDOG_IGNORE The host-to-scanner watchdog is disabled (default).</p> <p>WATCHDOG_IDLE A watchdog timeout causes the scanner to fault. The status LED is set to flashing red, the I/O is reset, I/O scanning stops, and internal scanner error of 0x0B is set, and the major error code is set to 0x40. Use OC_ClearFault before the scanner can be set to Scan mode.</p> <p>WATCHDOG_RESET A watchdog timeout forces a hard reset of the controller and scanner.. If the mode is WATCHDOG_RESET, the control application must disable this watchdog before exiting. If this watchdog is not disabled, the controller and scanner experience hard resets once the timeout delay has expired. The WATCHDOG_RESET mode is not available on the 1747-PCIS and will return ERR_OCNOTSUPP.</p>
delay	Specifies the watchdog timeout in multiples of 100ms and can have any value from 1 (100ms) to 65535 (6553.5s).

Description

Once the Host Watchdog is enabled, the host application must call OC_PetHostWatchdog more often than the time specified as the watchdog timeout. If the host application does not call OC_PetHostWatchdog for a time longer than the watchdog timeout, then the action specified by mode is performed. Return Value

Return Value:

Name:	Value:	Description:
SUCCESS	0	host watchdog was set successfully
ERR_OCACCESS	2	handle does not have access to scanner
ERR_OCINIT	5	scanner has not been initialized, see OC_InitScanner
ERR_OCPARAM	8	parameter contains invalid value

Considerations:

Supported in the DOS API library and the Windows NT API library

Example:

```

HANDLE      Handle;
int         retcode;

retcode = OC_SetHostWatchdog(Handle, WATCHDOG_IDLE, 10 );

/* Watchdog times out in 1 second and places scanner in idle
mode */

```

OC_SetInputUpdate Mode

OC_SetInputUpdateMode controls how the scanner updates inputs.

Syntax:

```
int         OC_SetInputUpdateMode(HANDLE handle, int mode);
```

Parameters:

Parameter:	Description:
handle	Must be a valid handle returned from OC_OpenScanner
mode	<p>If mode is:</p> <p>INUPD_NEVER The scanner does not scan inputs unless explicitly requested by the C_DemandInputScan function.</p> <p>INUPD_ALWAYS The scanner continuously updates inputs on every scan.</p> <p>By default, the input update mode is INUPD_ALWAYS. A change in status of the input update mode takes effect at start of next scan.</p>

Description:

This function does not affect output image scanning.

Return Value:

Name:	Value:	Description:
SUCCESS	0	conditional scan was set successfully
ERR_OCACCESS	2	handle does not have access to scanner
ERR_OCINIT	5	scanner has not been initialized; see OC_InitScanner
ERR_OCPARAM	8	parameter contains invalid value

Considerations:

Supported in the DOS API library and the Windows NT API library

Example:

```

HANDLE      Handle;
int         retcode;

retcode = OC_SetInputUpdateMode( Handle, INUPD_NEVER );

/* Must use OC_DemandInputScan() function to obtain new input
data */

```

OC_SetIOIdleState

OC_SetIOIdleState controls the state of I/O when the scanner goes from Scan mode to Idle mode.

Syntax:

```
int          OC_SetIOIdleState(HANDLE handle, int mode);
```

Parameters:

Parameter:	Description:
handle	Must be a valid handle returned from OC_OpenScanner
mode	If mode is: IDLESTATE_HOLD module I/O's maintain their last state. IDLESTATE_RESET module I/O's are reset by the scanner. The default I/O idle state is IDLESTATE_RESET.

Description:

The I/O will always be reset in the case of a fault.

Return Value:

Name:	Value:	Description:
SUCCESS	0	I/O state was changed successfully
ERR_OCACCESS	2	handle does not have access to scanner
ERR_OCINIT	5	scanner has not been initialized; see OC_InitScanner
ERR_OCPARAM	8	parameter contains invalid value

Considerations:

Supported in the DOS API library and the Windows NT API library

Example:

```
HANDLE      Handle;
int         retcode;

retcode = OC_SetIOIdleState( Handle, IDLESTATE_HOLD );
/* Outputs will remain in last state when scanner goes to idle
mode */
```

OC_SetModuleInterrupt

OC_SetModuleInterrupt enables, disables, or acknowledges the module interrupt for the slot `slotnum` on the scanner.

Syntax:

```
int OC_SetModuleInterrupt(HANDLE handle, int
slotnum, int mode);
```

Parameters:

Parameter:	Description:
handle	Must be a valid handle returned from OC_OpenScanner
slotnum	Must be a valid slot number
mode	If <code>mode</code> is: IOINT_DISABLE the module interrupt is disabled (default) IOINT_ENABLE the module interrupt is enabled IOINT_ACK the module interrupt is acknowledged.

Description:

When a module interrupt is received, the scanner generates a module interrupt message that the host application can read by calling the OC_PollScanner function. After retrieving the module interrupt message, the host application should immediately acknowledge the module interrupt and then service the module interrupt message. The module interrupt must be acknowledged before another can be received from that module.

Return Value:

Name:	Value:	Description:
SUCCESS	0	module interrupt was processed successfully
ERR_OCACCESS	2	<code>handle</code> does not have access to scanner
ERR_OCPARAM	8	parameter contains invalid value
ERR_OCRESPONSE	10	scanner did not respond to request
ERR_OCSCANCFG	14	scanner has not been configured
ERR_OCSLOT	12	slot number is invalid

Considerations:

Supported in the DOS API library and the Windows NT API library

Example:

```

HANDLE      Handle;
int         retcode;

retcode = OC_SetModuleInterrupt( Handle, 6, IOINT_ENABLE );

/* Slot 6 module now enabled to generate module interrupts. */
/* Use OC_PollScanner() to check for Module Interrupt
messages. */

```

OC_SetOutputUpdate Mode

OC_SetOutputUpdateMode controls how the scanner updates real outputs from the Output Image.

Syntax:

```
int          OC_SetOutputUpdateMode(HANDLE handle, int mode);
```

Parameters:

Parameter:	Description:
handle	Must be a valid handle returned from OC_OpenScanner
mode	<p>If <i>mode</i> is:</p> <p>OUTUPD_NEVER the scanner does not write outputs from the output image unless explicitly requested by the OC_DemandOutputScan function</p> <p>OUTUPD_CHANGE the scanner writes outputs only when the scanner output image is written via OC_WriteOutputImage, but does not continuously update outputs from the output image every scan</p> <p>OUTUPD_ALWAYS the scanner continuously updates outputs from the output image on every scan.</p> <p>By default, the output update mode is OUTUPD_NEVER. A change in status of the output update mode will take effect at the start of the next scan.</p>

Description:

This function does not affect input image scanning.

Setting the output update mode to OUTUPD_NEVER allows the host application to read the input image and perform logic to determine the initial state of outputs. Once the output image is written with the initial state data, the output update mode can be changed to allow updating of the outputs.

Setting the output update mode to `OUTUPD_CHANGE` allows the host application to signal the scanner to write outputs by calling `OC_WriteOutputImage`. This setting allows the scanner's minimum scan time to be reduced (since it is only scanning inputs most of the time), and is provided as a performance enhancement.

Setting the output update mode to `OUTUPD_ALWAYS` forces the scanner to write outputs from the output image on every scan.

Return Value:

Name:	Value:	Description:
<code>SUCCESS</code>	0	conditional scan was set successfully
<code>ERR_OCACCESS</code>	2	<code>handle</code> does not have access to the scanner
<code>ERR_OCINIT</code>	5	scanner has not been initialized, see <code>OC_InitScanner</code>
<code>ERR_OCPARAM</code>	8	parameter contains invalid value

Considerations:

Supported in the DOS API library and the Windows NT API library

Example:

```
HANDLE      Handle;  
int         retcode;  
  
retcode = OC_SetOutputUpdateMode( Handle, OUTUPD_NEVER );  
  
/* Must use OC_DemandOutputScan() function to send new output  
data */
```

OC_SetScanMode

OC_SetScanMode changes the scan mode of the scanner.

Syntax:

```
int          OC_SetScanMode(HANDLE handle, int mode);
```

Parameters:

Parameter:	Description:
handle	Must be a valid handle returned from OC_OpenScanner
mode	If mode is: SCAN_IDLE the scanner changes to Idle mode and stops scanning I/O SCAN_RUN the scanner changes to Scan mode and begins scanning I/O.

Description:

The scanner must be properly configured before going to Scan mode.

OC_SetScanMode will fail if there are any unread extended errors or faults. Call OC_GetExtendedError to extract all extended errors and call OC_ClearFault to clear any faults before calling OC_SetScanMode.

Before the scanner changes to Scan mode, it compares the downloaded I/O configuration to the racks and I/O modules actually installed. If there are any problems, an extended error is generated and OC_SetScanMode returns an error. If the scanner finds no problems, the scanner is in Scan mode when this function returns.

Return Value:

Name:	Value:	Description:
SUCCESS	0	scan mode was set successfully
ERR_OCACCESS	2	handle does not have access to the scanner
ERR_OCFAULT	13	scanner is faulted
ERR_OCINIT	5	scanner has not been initialized, see OC_InitScanner
ERR_OCPARAM	8	parameter contains invalid value
ERR_OCRESPONSE	10	scanner did not respond to request

Considerations:

Supported in the DOS API library and the Windows NT API library

Example:

```
HANDLE      Handle;
int         retcode;

retcode = OC_SetScanMode(Handle, SCAN_RUN); /* Scan I/O */
```

OC_SetScanTime

OC_SetScanTime sets the I/O scan time and I/O scan interval of the scanner.

Syntax:

```
int          OC_SetScanTime(HANDLE handle, int mode,
                           int time);
```

Parameters:

Parameter:	Description:
handle	Must be a valid handle returned from OC_OpenScanner
mode time	If <code>mode</code> is: SCAN_PERIODIC <code>time</code> determines the frequency of I/O scans in multiples of 250us and must contain a value between 1 and 255. SCAN_DELAYED <code>time</code> determines the delay between I/O scans in multiples of 10us and must contain a value between 1 and 256. The default <code>mode</code> is SCAN_PERIODIC and the default <code>time</code> is 10 if OC_SetScanTime is not used to change the scan time.

Description:

A scan time change will take effect when the scanner transitions from Idle mode to Scan mode.

Return Value:

Name:	Value:	Description:
SUCCESS	0	scan time was set successfully
ERR_OCACCESS	2	<code>handle</code> does not have access to the scanner
ERR_OCINIT	5	scanner has not been initialized, see OC_InitScanner
ERR_OCPARAM	8	parameter contains invalid value

Considerations:

Supported in the DOS API library and the Windows NT API library

Example:

```
HANDLE      Handle;
int         retcode;

retcode = OC_SetScanTime( Handle, SCAN_PERIODIC, 20 );

/* Scan set to start every 5 msec. */
```

OC_SetUserLEDState

OC_SetUserLEDState sets the state of a user-defined LED

Syntax:

```
int          OC_SetUserLEDState(HANDLE handle, int lednum,
                               int state);
```

Parameters:

Parameter:	Description:
handle	Must be a valid handle returned from OC_OpenScanner
lednum	Must be a value from 1 to 4, which corresponds to LED1, LED2, LED3, and LED4
ledstate	If ledstate is: LED_OFF LED is off LED_RED_SOLID LED is on, red solid LED_GREEN_SOLID LED is on, green solid LED_RED_FLASH LED is on, red flashing (LED1 and LED2 only) LED_GREEN_FLASH LED is on, green flashing (LED1 and LED2 only)

Description:

The application can use the four user LEDs for any purpose.

Return Value:

Name:	Value:	Description:
SUCCESS	0	LED was updated successfully
ERR_OCACCESS	2	handle does not have access to scanner
ERR_OCPARAM	8	parameter contains invalid value

Considerations:

Supported in the DOS API library and the Windows NT API library.

Example:

```
HANDLE      Handle;
int         retcode;

retcode = OC_SetUserLEDState( Handle, 1, LED_GREEN_SOLID );
```

OC_SetupPowerFail Action

OC_SetupPowerFailAction registers the action to be taken when a power fail interrupt is received from the scanner.

Syntax:

```
int OC_SetupPowerFailAction(HANDLE handle,
                           BYTE *bufptr, WORD offset, WORD length, void
                           (*callback)() );
```

Parameters:

Parameter:	Description:
handle	Must be a valid handle returned from OC_OpenScanner
bufptr	If <code>bufptr</code> is: NULL no data is copied (default) Not NULL at power fail <code>length</code> bytes of data are copied from <code>bufptr</code> to the host retentive data partition starting at <code>offset</code> .
offset	Specifies the offset within the host retentive data partition to begin copying
length	Number of bytes to copy If <code>length</code> points beyond the end of the host retentive data partition, it is truncated
callback	If <code>callback</code> is: NULL no callback function is executed (default) Not NULL the power fail interrupt routine calls this function after copying the data to the host retentive data partition (if configured)

Description:

You can configure the power failure action in four ways:

- No action (default); the power failure interrupt is ignored (`bufptr` is NULL; `callback` is NULL)
- Copy a block of data to the host retentive data partition in dual port RAM (`bufptr` points to the data to save; `callback` is NULL)
- Execute a user callback function (`bufptr` is NULL; `callback` points to the routine to call)
- Copy a block of data and execute a callback function (`bufptr` points to the data to save; `callback` points to the routine to call)

A system typically has at least 10 milliseconds, and possibly as much as 50 milliseconds or more between the power fail interrupt and the loss of power. The duration of this interval is a function of the power supply and system configuration, and it varies from system to system. You might need to experiment to determine the typical value for a particular system.

Data is copied to the host retentive data partition at the rate of approximately 1K bytes per millisecond.

Declare `bufptr` as static if the `OC_SetupPowerFail` function is used other than in `main()`; otherwise random data will be sent to the host retentive data area.

Return Value:

Name:	Value:	Description:
SUCCESS	0	power fail action was registered successfully
ERR_OCACCESS	2	<code>handle</code> does not have access to scanner
ERR_OCINIT	5	scanner has not been initialized, see <code>OC_InitScanner</code>
ERR_OCPARAM	8	parameter contains invalid value

Considerations:

Supported in the DOS API library only.

Example:

This example is for DOS only.

```

HANDLE      Handle;
BYTE        buffer1[100];
BYTE        buffer2[100];
int         retcode;

void PowerFailSave( void )/* power fail callback routine */
{
    len = 100;
    OC_WriteRtcSRAM( buffer2, 0, &len );/* Put data in protected
area */
}

retcode =    OC_SetupPowerFailAction( Handle, buffer1, 0,
                                     100, PowerFailSave );

```

OC_WaitForDII

Blocks the calling thread until a DII interrupt is received from the scanner or `msTimeout` milliseconds have elapsed.

Syntax:

```
int OC_WaitForDII(HANDLE handle, DWORD msTimeout)
```

Parameters:

Parameter:	Description:
handle	Must be a valid handle returned from OC_OpenScanner
msTimeout	Specifies the number of milliseconds to wait Set to INFINITE to wait forever

Description:

If a DII has been received since the last OCMSG_DIINT message was retrieved with the OC_PollScanner function, OC_WaitForDII returns SUCCESS immediately.

Return Value:

Name:	Value:	Description:
SUCCESS	0	a DII was received
ERR_RESPONSE	10	<code>msTimeout</code> milliseconds elapsed without a DII
ERR_OCACCESS	2	<code>handle</code> does not have access to scanner

Considerations:

Supported in the Windows NT API library only.

Example:

```
HANDLE handle; intrc;
MSGBUF diiMSG

/* Wait for 10 seconds for a DII */
rc = OC_WaitForDII(handle, 10000);
switch(rc) {
case SUCCESS: /* got a DII */
/* fetch the DII message */
OC_PollScanner (handle, OCMSG_DIINT, &diiMSG);
break;
case ERR_OCRESPONSE: /* timed out */
printf("\nTimed out waiting for DII\n");
break;
default:
printf("\nError!\n");
break;
}
```


OC_WaitForEos

Blocks the calling thread until an end-of-scan (EOS) notification is received from the scanner or `msTimeout` milliseconds have elapsed.

Syntax:

```
int          OC_WaitForEos(HANDLE handle, DWORD msTimeout)
```

Parameters:

Parameter:	Description:
handle	Must be a valid handle returned from <code>OC_OpenScanner</code>
msTimeout	Specifies the number of milliseconds to wait Set to INFINITE to wait forever

Description:

If an EOS message has been received since the last `OCMSG_EOS` message was retrieved with the `OC_PollScanner` function, `OC_WaitForEos` returns `SUCCESS` immediately.

You can use this function to synchronize a control application with the I/O scan. See the `OC_EnableEOSNotify` function.

Return Value:

Name:	Value:	Description:
<code>SUCCESS</code>	0	an EOS message was received
<code>ERR_RESPONSE</code>	10	<code>msTimeout</code> milliseconds elapsed without an EOS
<code>ERR_OCACCESS</code>	2	<code>handle</code> does not have access to scanner

Considerations:

Supported in the Windows NT API library only.

Example:

```
HANDLE      handle;
intrc;
MSGBUF      eosMSG

/* Wait for 10 seconds for the EOS */
rc = OC_WaitForEos(handle, 10000);
switch(rc) {
case SUCCESS: /* got EOS*/
/* reset the EOS event*/
OC_PollScanner (handle,OCMSG_EOS,&eosMSG);
break;
case ERR_OCRESPONSE: /* timed out */
printf("\nTimed out waiting for EOS\n");
break;
default;
printf("\nError!\n");
break;
}
```

OC_WaitForEosDmdIn

Blocks the calling thread until a demand input end-of-scan (EOS) notification is received from the scanner or `msTimeout` milliseconds have elapsed.

Syntax:

```
int          OC_WaitForEosDmdIn(HANDLE handle,
                                DWORD msTimeout)
```

Parameters:

Parameter:	Description:
handle	Must be a valid handle returned from <code>OC_OpenScanner</code>
msTimeout	Specifies the number of milliseconds to wait Set to INFINITE to wait forever

Description:

If a demand input EOS message has been received since the last `OCMSG_EOS_DMDIN` message was retrieved with the `OC_PollScanner` function, `OC_WaitForEosDmdIn` returns `SUCCESS` immediately.

You can use this function to synchronize a control application with the I/O scan. See the `OC_EnableEOSNotify` and `OC_DemandInputScan` functions.

Return Value:

Name:	Value:	Description:
<code>SUCCESS</code>	0	demand input EOS message was received
<code>ERR_RESPONSE</code>	10	<code>msTimeout</code> milliseconds elapsed without an EOS
<code>ERR_OCACCESS</code>	2	<code>handle</code> does not have access to scanner

Considerations:

Supported in the Windows NT API library only.

Example:

```
HANDLE      handle;
intrc;
MSGBUF      eosMSG

/* Request an input scan, but don't wait */
OC_DemandInputScan(handle, OCNOWAIT);

/* Could have other code here */
```

```

/* Wait 1 second for the EOS */
rc = OC_WaitForEosDmdIn(handle, 1000);
switch(rc) {
case SUCCESS: /* got EOS*/
/* reset the EOS_DMDIN event*/
OC_PollScanner (handle,OCMSG_EOS_DMDIN,&eosMSG);
/* do logic, etc. synchronized with the I/O scan */
break;
case ERR_OCRESPONSE: /* timed out */
printf("\nTimed out waiting for EOS\n");
break;
default;
printf("\nError!\n");
break;
}

```

OC_WaitForEosDmdOut

Blocks the calling thread until a demand output end-of-scan (EOS) notification is received from the scanner or `msTimeout` milliseconds have elapsed.

Syntax:

```
int OC_WaitForEosDmdOut (HANDLE handle,
DWORD msTimeout)
```

Parameters:

Parameter:	Description:
handle	Must be a valid handle returned from OC_OpenScanner
msTimeout	Specifies the number of milliseconds to wait Set to INFINITE to wait forever

Description:

If a demand output EOS message has been received since the last `OCMSG_EOS_DMDOUT` message was retrieved with the `OC_PollScanner` function, `OC_WaitForEosDmdOut` returns `SUCCESS` immediately.

You can use this function to synchronize a control application with the I/O scan. See the `OC_EnableEOSNotify` and `OC_DemandOutputScan` functions.

Return Value:

Name:	Value:	Description:
SUCCESS	0	demand output EOS message was received
ERR_RESPONSE	10	msTimeout milliseconds elapsed without an EOS
ERR_OCACCESS	2	handle does not have access to scanner

Considerations:

Supported in the Windows NT API library only.

Example:

```

HANDLE          handle;
intrc;
MSGBUF          eosMSG

/* Request an output scan, but don't wait */
OC_DemandOutputScan(handle, OCNOWAIT);

/* Could have other code here */

/* Wait 1 second for the EOS */
rc = OC_WaitForEosDmdOut(handle, 1000);
switch(rc) {
case SUCCESS: /* got EOS*/
/* reset the EOS_DMDOUT event*/
OC_PollScanner (handle,OCMSG_EOS_DMDOUT,&eosMSG);
/* do logic, etc. synchronized with the I/O scan */
break;
case ERR_OCRESPONSE: /* timed out */
printf("\nTimed out waiting for EOS\n");
break;
default;
printf("\nError!\n");
break;
}

```

OC_WaitForExtError

Blocks the calling thread until an extended error is received from the scanner or `msTimeout` milliseconds have elapsed.

Syntax:

```
int          OC_WaitForExtError(HANDLE handle,
                               DWORD msTimeout)
```

Parameters:

Parameter:	Description:
handle	Must be a valid handle returned from <code>OC_OpenScanner</code>
msTimeout	Specifies the number of milliseconds to wait Set to INFINITE to wait forever

Description:

If an extended error has been received since the last extended error message was retrieved with the `OC_GetExtendedError` function, `OC_WaitForExtError` returns `SUCCESS` immediately.

Return Value:

Name:	Value:	Description:
<code>SUCCESS</code>	0	an extended error occurred
<code>ERR_RESPONSE</code>	10	<code>msTimeout</code> milliseconds elapsed without an extended error
<code>ERR_OCACCESS</code>	2	<code>handle</code> does not have access to scanner

Considerations:

Supported in the Windows NT API library only.

Example:

```
HANDLE      handle;
intrc;
OCEXTERR    exterr

/* Error handler thread */
while(1) { /* loop forever */
  OC_WaitForExtError(handle, INFINITE);
  /* fetch the error data */
  OC_GetExtendedError(handle, &exterr);
  /*handle the error */
}
```

OC_WaitForIoInt

Blocks the calling thread until a module interrupt is received from the scanner or `msTimeout` milliseconds have elapsed.

Syntax:

```
int          OC_WaitForIoInt(HANDLE handle, DWORD msTimeout)
```

Parameters:

Parameter:	Description:
handle	Must be a valid handle returned from <code>OC_OpenScanner</code>
msTimeout	Specifies the number of milliseconds to wait Set to INFINITE to wait forever

Description:

If a module interrupt has been received since the last `OCMSG_IOINT` message was retrieved with the `OC_PollScanner` function, `OC_WaitForIoInt` returns `SUCCESS` immediately.

Return Value:

Name:	Value:	Description:
SUCCESS	0	a module interrupt was received
ERR_RESPONSE	10	<code>msTimeout</code> milliseconds elapsed without a module interrupt
ERR_OCACCESS	2	<code>handle</code> does not have access to scanner

Considerations:

Supported in the Windows NT API library only.

Example:

```
HANDLE      handle;
intrc;
MSGBUF      mintMSG

/* Wait for 10 seconds for a module interrupt*/
rc = OC_WaitForIoInt(handle, 10000);
switch(rc) {
case SUCCESS: /* got a module interrupt*/
/* fetch the module interrupt message */
OC_PollScanner (handle,OCMSG_IOINT,&mintMSG);
/* handle the module interrupt */
break;
case ERR_OCRESPONSE: /* timed out */
printf("\nTimed out waiting for module interrupt\n");
break;
default;
printf("\nError!\n");
break;
}
```

OC_WriteHostRetentive Data

OC_WriteHostRetentiveData writes data to the host-retentive-data partition of the scanner.

Syntax:

```
int OC_WriteHostRetentiveData(HANDLE handle,
    BYTE *buf, WORD offset, WORD len);
```

Parameters:

Parameter:	Description:
handle	Must be a valid handle returned from OC_OpenScanner
buf	Contains the data that is read
offset	The data is written <i>offset</i> bytes from the beginning of the data partition If the number of bytes from <i>offset</i> to the end of the partition is smaller than <i>len</i> , no bytes are written and ERR_OCPARAM is returned.
len	Defines how many bytes to write

Description:

Data is not written past the end of the host-retentive-data partition.

It is recommended that you verify the integrity of the data stored in the host-retentive-data partition. You can use the OC_CalculateCRC function to generate a 16-bit CRC.

Data written to the host retentive data partition of the shared memory is battery-backed, and will be retained if power is removed from the rack, as long as the battery voltage is good.

Return Value:

Name:	Value:	Description:
SUCCESS	0	host retentive data was written successfully
ERR_OCACCESS	2	<i>handle</i> does not have access to scanner
ERR_OCINIT	5	scanner has not been initialized, see OC_InitScanner
ERR_OCPARAM	8	parameter contains an invalid value

Considerations:

Supported in the DOS API library and the Windows NT API library

Example:

```

HANDLE      Handle;
BYTE        retent_data[500];
int         retcode;

retcode =   OC_WriteHostRetentiveData( Handle, retent_data,
                                         0, 500 );

```

OC_WriteIOConfigFile

OC_WriteIOConfigFile writes the configuration data contained in the iocfg structure to the file named filename.

Syntax:

```

int         OC_WriteIOConfigFile(OCIIOCFG *iocfg,
                                  char *filename);

```

Parameters:

Parameter:	Description:
iocfg	A structure that contains the configuration data that is to be written to filename
filename	References the file to write If filename does not exist, it is created.

Description:

Configuration files created by OC_WriteIOConfigFile can be read by OC_ReadIOConfigFile.

The OCIIOCFG structure is defined as:

```

typedef struct tagOCIIOCFG
{
  BYTE      Rack1Size; /* number of slots in Rack 1 */
  BYTE      Rack2Size; /* number of slots in Rack 2 */
  BYTE      Rack3Size; /* number of slots in Rack 3 */
  OCILOTCFG SlotCfg[OCMAXSLOT]; /* configuration for each
  slot */
} OCIIOCFG;

```

Return Value:

Name:	Value:	Description:
SUCCESS	0	I/O configuration file was written successfully
ERR_OCFILEERROR	19	error encountered while opening or writing the file

Considerations:

Supported in the DOS API library and the Windows NT API library

Example:

```

OCIOCFG      'iocfg
int          retcode;

/* Either OC_CreateIOConfiguration() or
OC_GetIOConfiguration() were */
/* called previously to fill in 'iocfg' structure */

retcode = OC_WriteIOConfigFile( &iocfg, "RACK1.CFG" );

```

OC_WriteModuleFile

OC_WriteModuleFile writes a data file to a module.

Syntax:

```

int          OC_WriteModuleFile(HANDLE handle, BYTE ftype,
                                WORD *mfile, int slotnum, WORD offset, WORD len);

```

Parameters:

Parameter:	Description:
handle	Must be a valid handle returned from OC_OpenScanner
ftype	Defines the module type as: FILTYP_M0 M0 file FILTYP_M1 M1 file FILTYP_G G file
mfile	Buffer file that contains data read from the module at slotnum The data in mfile is written to the module starting at word offset. This function does not write data past the end of the module file for the slot.
slotnum	Must be a valid slot number
offset	Must be valid word number within module file
len	Number of words written from the module located at slotnum on the scanner into the buffer mfile

Description:

This function accesses an internal data file of the selected module. I/O scanning is blocked while this access takes place.

Return Value:

Name:	Value:	Description:
SUCCESS	0	file was read successfully
ERR_OCACCESS	2	handle does not have access to scanner
ERR_OCPARAM	8	parameter contains invalid value
ERR_OCRESPONSE	10	scanner did not respond to request
ERR_OCSCANCFG	14	scanner has not been configured
ERR_OCSLOT	12	slot number is invalid

Considerations:

Supported in the DOS API library and the Windows NT API library

Example:

```

HANDLE      Handle;
WORD        filedata[2];
int         retcode;

filedata[0] = 0x55AA;
filedata[1] = 0xAA55;

retcode =   OC_WriteModuleFile( Handle, FILTYP_M0, filedata,
                               6, 3, 2 );

/* Writes words 3 and 4 from module in slot 6 */

```

OC_WriteOutputImage

OC_WriteOutputImage updates the output image on the scanner.

Syntax:

```

int         OC_WriteOutputImage(HANDLE handle,
                                WORD *outimgcpy, int slotnum, WORD offset,
                                WORD len, WORD *imagebuf);

```

Parameters:

Parameter:	Description:
handle	Must be a valid handle returned from OC_OpenScanner
outimgcpy	<p>If <code>outimgcpy</code> is: NULL OC_WriteOutputImage writes data directly to the output image in the scanner's shared memory; if the update mode is <code>OUTUPD_CHANGE</code>, the scanner is signalled to update the outputs not NULL OC_WriteOutputImage writes data to <code>outimgcpy</code>; the output image data is not affected</p> <p>If file integrity is not necessary, the host application can set <code>outimgcpy</code> to NULL.</p>
slotnum offset len	<p>If <code>slotnum</code> is: positive the output image for that slot is written from the array pointed to by <code>imagebuf</code>. Then <code>len</code> words of output data starting at word <code>offset</code> are written to the module in the slot, and will not write past the end of the output image for the slot. -1 the entire output image is written from the array pointed to by <code>imagebuf</code>, and <code>offset</code> and <code>len</code> are ignored.</p>
imagebuf	Must point to an array that is large enough to accept the amount of data from the requested output image

Description:

To guarantee that changes to the output image resulting from a series of calls to `OC_WriteOutputImage` are posted to the I/O modules in a single output scan, `OC_WriteOutputImage` can be called to modify a local copy of the output image, then finally called to write the entire copy of the output image to the scanner's shared memory. This preserves output image file integrity across multiple calls to `OC_WriteOutputImage`.

Return Value:

Name:	Value:	Description:
SUCCESS	0	output image was written successfully
ERR_OCACCESS	2	<code>handle</code> does not have access to scanner
ERR_OCPARAM	8	parameter contains invalid value
ERR_OCSCANCFG	14	scanner has not been configured
ERR_OCSLOT	12	slot number is invalid

Considerations:

Supported in the DOS API library and the Windows NT API library

Example:

```
HANDLE      Handle;
WORD        outputdata[2];
int         retcode;

outputdata[0] = 0x55AA;
outputdata[1] = 0xAA55;

retcode =   OC_WriteOutputImage( Handle, NULL, 6, 0, 2,
                                outputdata );
```

OC_WriteSRAM

OC_WriteSRAM wires data to the battery-backed user memory

Syntax:

```
int         OC_WriteSRAM(HANDLE Handle, BYTE*bufptr,
                        DWORD offset, DWORD length);
```

Description:

The battery-backed memory may be used to store important data that needs to be preserved in the event of a power failure. The size of the available memory in bytes may be obtained using OC_GetDeviceInfo.

IMPORTANT

It is recommended that the integrity of data stored in the user memory be verified by some means. The OC_CalculateCRC function may be used to generate a 16-bit CRC that may be used for this purpose.

`handle` must be a valid handle returned from OC_OpenScanner. `bufptr` points to the data to be written. `offset` specifies the offset within the memory to begin writing. `length` specifies the number of bytes to be written.

If `offset + length` points past the end of the memory, no bytes will be written and ERR_OCPRAM will be returned.

Return Value:

Name:	Description:
SUCCESS	data was written successfully
ERR_OCACCESS	handle does not have access to scanner
ERR_OCPARAM	offset+length points past the end of the memory

Considerations:

Supported in the Windows NT API library only.

Example:

```
Byte          buf[100]; /*buffer of important data*/

Word crc;

HANDLE handle;

/* Save 100 bytes of data to offset 0 in SRAM */

OC_WriteSRAM(handle, buf, 0, 100);

/* Calculate CRC */

OC_CalculateCRC(buf, 100, &crc);

/* Write data CRC to offset 100 in SRAM */

OC_WriteSRAM(handle, &crc, 100, 2);
```

Notes:

Error Codes

Introduction

This appendix describes the error code data.

Error Code Returned by API Functions

Most of the API functions return values (see chapter 6). These are the values returned by the API functions to indicate success or possible error conditions (but not all are returned by each function).

The table below lists API Function values:

Name:	Return Value:	Description:
SUCCESS	0	function returned successfully
ERR_OCACCESS	2	handle does not have access to scanner
ERR_OCEXTERR	11	scanner responded with an extended error message
ERR_OCFAULT	13	request denied because scanner faulted
ERR_OCFILEERROR	19	error occurred while reading/writing disk file
ERR_OCINIT	5	scanner has not been initialized
ERR_OCIOCFG	9	I/O configuration is invalid
ERR_OCMEM	3	shared memory cannot be found
ERR_OCNOFORCES	15	no forces installed, cannot enable forces
ERR_OCOPEN	1	scanner already open
ERR_OCOUOFMEM	17	memory allocate failed
ERR_OCOVERRUN	16	DII, I/O initialization, or error report message overrun
ERR_OCPAR	6	initialization failed due to invalid partition information
ERR_OCPARAM	8	parameter contains invalid value
ERR_OCPOST	7	scanner POST failure
ERR_OCREINIT	4	scanner has already been initialized
ERR_OCRESPONSE	10	scanner did not respond to request successfully
ERR_OCSCANCFG	14	scanner I/O configuration not downloaded
ERR_OCSLOT	12	slot number is invalid
ERR_OCUNKNOWN	18	unknown module type
ERR_OCNOTSUPP	20	function not supported on this platform

Extended Error Codes

The OC_GetExtendedError function returns error information in a structure of type OCEXTERR. This structure is five bytes in length and contains the following information:

Buffer Offset:	Bytes:	Description:
0	1	extended error code
1	1	associated slot or file number
2	3	error code data

When the scanner encounters an error, the extended error code and associated slot (if any) is written to the extended error code and slot number fields. Error-dependent information is written to the remaining field and the scanner goes to Idle mode.

The extended error codes that can be reported by the scanner are:

Extended Error Code:	Description:
0x00	No errors present
0x01	Downloaded directory file is invalid
0x08	Internal software error
0x12	Downloaded configuration is corrupted
0x21	Power fail on expansion rack occurred
0x2E	Invalid DII input slot
0x40	Host Watchdog Timeout
0x50	Data error while accessing module
0x51	Stuck PINT error
0x52	Module is missing
0x53	Module detected in unused slot
0x54	Module type does not match downloaded configuration
0x55	Module I/O mix does not match downloaded configuration
0x56	Rack type does not match downloaded configuration
0x57	Specialty I/O module lock memory command timeout
0x58	Specialty I/O module fault
0x59	Specialty I/O module command timeout
0x5A	Module interrupt problem
0x5B	G file configuration error
0x5C	M0/M1 file configuration error
0x5D	Unsupported interrupt service requested by module
0x5E	I/O driver error

Extended Error Code:	Description:
0x60 - 0x8F	Module specific errors (see I/O module documentation)
0x90	MINT occurred on disabled slot
0x91	PINT occurred on disabled slot
0x93	Unsupported module error
0x94	Module has been inserted or reset
0xF0	Internal scanner error

The error code data provides information specific to the cause of all extended errors, except 0xF0. The first byte of the error code data contains a subsystem identifier with the following information:

Subsystem ID:	Description:
0x06	Scanner Communications
0x08	Backplane Interface (module I/O)

The second byte of the error code data provides details about the subsystem identifier with the following information:

Error Code:	Description:
0x00	Download error - invalid directory file pointer block
0x01	Download error - change to Idle mode failed
0x02	Download error - configuration file CRC failed (byte 1 contains the file number)
0x03	Download error - directory CRC failed
0x04	Download error - input or output image exceeds partition allocation (byte 1 contains 0 for output image, 1 for input)

The third byte of the Error Code Data provides details about the Subsystem Error Codes.

Error Code:	Description:
0x01	Rack configuration verify error
0x02	DII configuration error
0x03	I/O error occurred while updating slot enables
0x06	I/O error occurred while polling for PINT
0x07	Bad module mode change attempted
0x08	Slot error occurred during mode change
0x09	Source of module interrupt not found
0x0A	Corrupted directory file detected when going to run mode
0x0C	I/O error occurred while servicing module interrupt
0x0D	Module interrupt from disabled slot
0x0E	Interrupting module requested unsupported service
0x0F	I/O error while performing input scan
0x10	I/O error while performing output scan
0x11	Verified read or write error

If the extended error code is an internal scanner error (0xF0), the slot number is set to 0 and the first byte of the Error Code Data contains the source of the error. The table below lists the internal scanner extended error sources.

Error Code:	Description:
0x03	Scanner message queue full
0x06	Internal scanner watchdog timeout
0x07	CRC checksum failure
0x09	Invalid message
0x0A	RAM failure
0x0B	Host watchdog timeout

Testing Function Calls

Introduction

Both the DOS API and the Windows NT API come with a utility program called `api_test.exe`. This interactive program lets you execute, from the keyboard, every API call for the 1746 I/O PCI Interface. Use the source code of the utility program, along with the executable program, to test different argument values for each function call and to verify correct scanner operation.

Another DOS utility program called `ocdiag.exe` comes with the 1746 I/O PCI Interface hardware. Use this utility program to verify:

- hardware operation
- scanner functionality
- I/O control

The Windows NT utility program is `oc_nt.exe`. To get a copy of this utility:

- contact A-B Technical Support Services at 440-646-6800

or

- download a copy from the Technical Support Services bulletin board at 440-646-5441

Use the `-d` option when executing the self-unzipping file so that you preserve subdirectory structures.

Notes:

Header File

Introduction

The API comes with a header file (`ocapi.h`) that defines:

- error code values
- status values
- type definitions
- structures
- function prototypes

DOS Header File

```

/*****
*   Title: 1746 I/O PCI Interface API library header file
*
*   Abstract:
*       Contains definitions, structures, and function templates for
*       all functions defined in the Open Controller API. This file is
*       distributed as part of the API.
*
*   Environment:
*       1747-PCIS, -PCIS2 Bus Interface
*       MS-DOS
*       Borland/Microsoft C/C++ Compiler (16-bit)
*
*       (c)Copyright Allen-Bradley
*
*****/
#ifndef OCAPI_H
#define OCAPI_H

/* ***** */
/* **   CONSTANTS           ** */
/* ***** */

/* ***** API Function Return Values ***** */
/* These values are returned by the API functions to indicate success or possible */
/* error conditions. */
/*
#define SUCCESS           0/* function returned successfully */
#define ERR_OCOPEN       1    /* scanner already open */
#define ERR_OCACCESS     2    /* handle does not have access to scanner */
#define ERR_OCMEM        3    /* shared memory cannot be found */
#define ERR_OCREINIT     4    /* scanner has already been initialized */
#define ERR_OCINIT       5    /* scanner has not been initialized */
#define ERR_OCPAR        6    /* Init failed due to invalid partition info */
#define ERR_OCPOST       7    /* scanner POST failure */
#define ERR_OCPARAM      8    /* parameter contains invalid value */
#define ERR_OCIOCFG      9    /* IO Configuration is invalid */
#define ERR_OCRESPONSE   10   /* scanner did not respond to request successfully */
#define ERR_OCEXTERR     11   /* scanner responded with an extended error message */

```

```

#define ERR_OCSLOT      12      /* slot number is invalid */
#define ERR_OCFAULT    13      /* request denied because scanner faulted */
#define ERR_OCSCANCFG  14      /* Scanner IO Configuration not downloaded */
#define ERR_OCNOFORCES 15      /* no forces installed, cannot enable forces */
#define ERR_OCOVERRUN  16      /* DII, I/O Int, or ErrReport message overrun */
#define ERR_OCOUTOFMEM 17      /* memory allocate failed */
#define ERR_OCUNKNOWN  18      /* unknown module type */
#define ERR_OCFILERROR 19      /* error occured while reading/writing disk file */
#define ERR_OCNOTSUPP  20      /* function not supported on this platform */

/* ***** Extended Error Codes ***** */
/* These values are returned in the ErrorCode member of the OCEXTERR */
/* structure that is returned from the OC_GetExtendedError() function. */
/* */
#define EERR_OCINVALIDDIR 0x01 /* Downloaded directory file is invalid */
#define EERR_OCINTSWERR   0x08 /* Internal scanner software error */
#define EERR_OCCFGCORRUPT 0x12 /* Downloaded configuration is corrupted */
#define EERR_OCEXPWRFAIL  0x21 /* Power fail on expansion rack detected */
#define EERR_OCINVALIDDII 0x2E /* Invalid DII input slot */
#define EERR_OCWDTIMEOUT  0x40 /* Host Watchdog Timeout occurred */
#define EERR_OCMODACCESS  0x50 /* Data error while accessing module */
#define EERR_OCPINTSTUCK  0x51 /* Stuck PINT error */
#define EERR_OCMODMISSING 0x52 /* Module is missing */
#define EERR_OCMODINNSLOT 0x53 /* Module detected in unused slot */
#define EERR_OCMODMISMATCH 0x54 /* Module type does not match downloaded configuration */
#define EERR_OCIOMISMATCH 0x55 /* Module I/O mix does not match downloaded configuration */
#define EERR_OCRACKMISMATCH 0x56 /* Rack type does not match downloaded configuration */
#define EERR_OCSPIOLOCKTOUT 0x57 /* Specialty I/O module lock memory command timeout */
#define EERR_OCSPIOFAULT   0x58 /* Specialty I/O module fault */
#define EERR_OCSPIOCMDTOUT 0x59 /* Specialty I/O module command timeout */
#define EERR_OCMODINT      0x5A /* Module interrupt problem */
#define EERR_OCGFILE       0x5B /* G file configuration error */
#define EERR_OCMFILE       0x5C /* M0/M1 file configuration error */
#define EERR_OCINVALIDINT  0x5D /* Unsupported interrupt service requested by module */
#define EERR_OCIODRIVER    0x5E /* I/O driver error */
#define EERR_OCMODULEMIN   0x60 /* 0x60-0x8F - Module specific errors - see module doc */
#define EERR_OCMODULEMAX   0x8F /* 0x60-0x8F - Module specific errors - see module doc */
#define EERR_OCINVALIDDMINT 0x90 /* MINT occurred on disabled slot */
#define EERR_OCINVALIDDPINT 0x91 /* PINT occurred on disabled slot */
#define EERR_OCUNKMODERR   0x93 /* Unsupported module error */
#define EERR_OCMODRESET    0x94 /* Module has been inserted or reset */
#define EERR_OCSCANNERINT  0xF0 /* Scanner internal error */

/* ***** Scanner Status ***** */
/* These values are returned by the OC_GetScannerStatus() function. */
/* */
#define SCANSTS_POST      0x01 /* Scanner is executing Power-On Self Test */
#define SCANSTS_CRC       0x02 /* Scanner firmware failed CRC checksum */
#define SCANSTS_RAM       0x03 /* Scanner RAM test failed */
#define SCANSTS_BPIC      0x04 /* Scanner backplane IC test failed */
#define SCANSTS_DPR       0x05 /* Scanner Dual-Port Ram test failed */
#define SCANSTS_THERM     0x06 /* Scanner thermometer test failed */
#define SCANSTS_TIMER     0x07 /* Scanner timer test failed */
#define SCANSTS_INT       0x08 /* Scanner interrupt test failed */
#define SCANSTS_IDLE      0x11 /* Scanner has been initialized and is in Idle mode */
#define SCANSTS_WDOG      0x12 /* Scanner internal watchdog timeout - scanner halted */
#define SCANSTS_FAULT     0x13 /* Scanner is faulted */
#define SCANSTS_SCAN      0x20 /* Scanner is in Scan mode */

/* ***** Scan Time ***** */
/* These values are passed to the OC_SetScanTime() function. */
/* */
#define SCAN_DELAYED      0 /* Select delayed mode - next scan occurs time*10us after end of scan */

```

```

#define SCAN_PERIODIC 1 /* Select periodic mode - next scan occurs every time*250us */

/* ***** Scan Mode ***** */
/* These values are passed to the OC_SetScanMode() function. */
/* */
#define SCAN_IDLE 0 /* Select Idle mode (not scanning I/O) */
#define SCAN_RUN 1 /* Select Scan mode (scanning I/O) */
/* ***** IO Idle State ***** */
/* These values are passed to the OC_SetIOIdleState() function. */
/* */
#define IDLESTATE_RESET 0 /* I/O bus is reset in Idle mode */
#define IDLESTATE_HOLD 1 /* I/O is held in last state in Idle mode */

/* ***** PollScanner Message ID's ***** */
/* These values are passed to the OC_PollScanner() function (message filter), and */
/* are returned in the MsgID member of the MSGBUF structure. */
/* */
#define OCMSG_NONE 0 /* No messages are available (msg ID) */
#define OCMSG_ANY 0 /* Poll for any message (filter) */
#define OCMSG_IOINT 1 /* I/O Module Interrupt */
#define OCMSG_DIINT 2 /* Discrete Input Interrupt */
#define OCMSG_EOS 3 /* End of Scan notification */
#define OCMSG_EOS_DMDIN 4 /* End of Scan notification from demand input */
#define OCMSG_EOS_DMDOUT 5 /* End of Scan notification from demand output */

/* ***** Scanner Force Settings ***** */
/* These values are passed to the OC_EnableForces() function. */
/* */
#define FORCE_ENABLE 0 /* Enable forces */
#define FORCE_DISABLE 1 /* Disable forces */
#define FORCE_CLEAR 2 /* Clear all forces */

/* ***** Module Force Settings ***** */
/* These values are passed to the OC_SetForces() function. */
/* */
#define FORCE_INPUTS 0 /* Select input forces */
#define FORCE_OUTPUTS 1 /* Select output forces */

/* ***** Slot Settings ***** */
/* These values are passed to the OC_EnableSlot() function. */
/* */
#define SLOT_ENABLE 0 /* Enable module */
#define SLOT_DISABLE 1 /* Disable module */

/* ***** LED States ***** */
/* These values are passed to the OC_SetUserLEDState() function, and are */
/* returned by the OC_GetUserLEDState() function. */
/* */
#define LED_OFF 0 /* LED is off */
#define LED_RED_SOLID 1 /* LED is Red (continuous) */
#define LED_GREEN_SOLID 2 /* LED is Green (continuous) */
#define LED_RED_FLASH 3 /* LED is flashing Red (1 & 2 only) */
#define LED_GREEN_FLASH 4 /* LED is flashing Green (1 & 2 only) */

/* ***** Battery Status ***** */
/* These values are returned by the OC_GetBatteryStatus() function. */
/* */
#define BATTERY_LOW 0 /* Battery voltage is low */
#define BATTERY_GOOD 1 /* Battery is OK */

```

```
/* ***** Switch Position ***** */
/* These values are returned by the OC_GetSwitchPosition() function. */
/*
#define SWITCH_TOP      0xFF      /* Switch is in the Top position */
#define SWITCH_MIDDLE   0x00      /* Switch is in the Middle position */
#define SWITCH_BOTTOM   0x01      /* Switch is in the Bottom position */

/* ***** Jumper State ***** */
/* These values are returned by the OC_GetUserJumperState() function. */
/*
#define JUMPER_PRESENT  0          /* User jumper is installed */
#define JUMPER_ABSENT  1          /* User jumper is not installed */

/* ***** Watchdog Settings ***** */
/* These values are passed to the OC_SetHostWatchdog() function. */
/*
#define WATCHDOG_IGNORE 0          /* Host watchdog is disabled */
#define WATCHDOG_IDLE   1          /* Scanner with change to Idle mode on host wdog timeout */
#define WATCHDOG_RESET  2          /* Scanner will issue a system reset on host wdog timeout */

/* ***** Reset Cause ***** */
/* These values are returned by the OC_GetResetCause() function. */
/*
#define RESET_NOT_HOST_WD 0          /* Reset was not caused by the host watchdog */
#define RESET_HOST_WD    1          /* Reset was caused by the host watchdog */

/* ***** Module I/O Int Modes ***** */
/* These values are passed to the OC_SetModuleInterrupt() function. */
/*
#define IOINT_ENABLE     1          /* Enable module interrupt */
#define IOINT_DISABLE    0          /* Disable module interrupt */
#define IOINT_ACK        -1         /* Acknowledge module interrupt */

/* ***** Output Update Modes ***** */
/* These values are passed to the OC_SetOutputUpdateMode() function. */
/*
#define OUTUPD_NEVER     0          /* Never scan outputs */
#define OUTUPD_CHANGE    1          /* Only scan outputs when output image changes */
#define OUTUPD_ALWAYS    2          /* Scan outputs every scan */

/* ***** Input Update Modes ***** */
/* These values are passed to the OC_SetInputUpdateMode() function. */
/*
#define INUPD_NEVER      0          /* Never scan outputs */
#define INUPD_ALWAYS     1          /* Scan outputs every scan */

/* ***** EndOfScan Modes ***** */
/* These values are passed to the OC_EnableEOSNotify() function. */
/*
#define EOSMSG_ENABLE    0          /* Enable end-of-scan notification messages */
#define EOSMSG_DISABLE   1          /* Disable end-of-scan notification messages */

/* ***** Wait Flags ***** */
#define OCNOWAIT         0          /* Return without waiting for operation to complete */
#define OCWAIT           1          /* Wait for operation to complete before returning */
```



```

/* ***** Module File Types ***** */
/* These values are passed to the OC_WriteModuleFile() and OC_ReadModuleFile() */
/* functions. */
/*
#define FILTYP_G          0x05  /* Module G file */
#define FILTYP_M0        0x08  /* Module M0 file */
#define FILTYP_M1        0x09  /* Module M1 file */

/* ***** I/O Configuration Definitions ***** */
#define OCMAXSLOT         31     /* Maximum number of slots (slot 0 is reserved for PCIL) */

#define OCEMPTYTYPE       0xFF   /* Mix and type codes for empty slots and slot 0 */
#define OCEMPTYMIX        0xFF   /*
#define OCWILDTYPE        0xFF   /* Wildcard type code - matches any module type */

#define OCSTSFILWEWSIZE   25     /* Status file size in words */

#define OCRTCSRAMSIZ     0x1000  /* size of real-time clock SRAM */

#define OCSEGMENTSIZELIMIT 0x1A00 /* size of dual-port RAM available for I/O and host partitions */

/***** Message callback return values *****/
#define OCNOQUEUE         1
#define OCQUEUE           0

/* ***** Device Type Definitions ***** */
/* Returned by OC_GetDeviceInfo(). */
#define OCDEVTYPE_OC      1     /* 1747-PCIL */
#define OCDEVTYPE_PCIS    2     /* 1747-PCIS */

/* ***** TYPE DEFINITIONS ***** */
typedef unsigned char    BYTE;    /* 8-bit unsigned value */
typedef unsigned short   WORD;    /* 16-bit unsigned value */
typedef unsigned long    DWORD;   /* 32-bit unsigned value */
typedef unsigned short   HANDLE;  /* access token for scanner */

/* ***** STRUCTURES ***** */

/* ensure structures are byte-aligned */
#ifdef __BORLANDC__
#pragma option -a1
#endif /* _BORLANDC */

#ifdef _MSC_VER
#pragma pack(1)
#endif /* _MSC_VER */

/*****
* Structure Name: OCINIT
*
* Description:
*
* Passed to OC_InitScanner() function to specify

```

```

* dual-port RAM partition sizes for output image,
* input image, and host retentive data.
*
*****/
typedef struct tagOCINIT
{
    WORD        OutputImageSize;    /* size in bytes */
    WORD        InputImageSize;     /* size in bytes */
    WORD        HostRetentiveDataSize; /* size in bytes */
} OCINIT;

/*****
* Structure Name: OCSLOTCFG
*
* Description:
*
* Configuration information for a module. The mix and
* type codes together form a unique identification for
* each module.
*
*****/
typedef struct tagOCSLOTCFG
{
    BYTE        mix;                /* mix code */
    BYTE        type;               /* type code */
    BYTE        InputSize;          /* number of inputs in bytes */
    BYTE        OutputSize;         /* number of outputs in bytes */
    WORD        M0Size;             /* size of M0 file in words */
    WORD        M1Size;             /* size of M1 file in words */
    WORD        GSize;              /* size of G file in words */
    WORD        *GData;             /* pointer to array of length GSize words */
    char        *Name;              /* pointer to module name string */
} OCSLOTCFG;

/*****
* Structure Name: OCIOCFG
*
* Description:
*
* Used by OC_CreateIOConfiguration(), OC_GetIOConfiguration(),
* and OC_DownloadIOConfiguration().
* Configuration information for a system. 1, 2, or 3
* racks may be configured for up to 30 I/O modules.
* (Slot 0 is reserved for the Open Controller.)
*
*****/
typedef struct tagOCIOCFG
{
    BYTE        Rack1Size;          /* number of slots in Rack 1 */
    BYTE        Rack2Size;          /* number of slots in Rack 2 */
    BYTE        Rack3Size;          /* number of slots in Rack 3 */
    OCSLOTCFG   SlotCfg[OCMAXSLOT]; /* configuration for each slot */
} OCIOCFG;

/*****
* Structure Name: FORCEDATA
*
* Description:
*
* Passed to OC_SetForces().
* Configures input and output forces.
*
*****/

```

```

typedef struct tagFORCEDATA
    BYTE    SlotNum;           /* slot number */
    WORD    WordOffset;       /* offset to word to force */
    BYTE    IOType;           /* selects force inputs or outputs */
    WORD    ForceMask;        /* bits set to 1 are forced, 0 removes forces */
    WORD    ForceVal;         /* selects force state of bits set to 1 in ForceMask */
} FORCEDATA;

/*****
* Structure Name: DII_CFG
*
* Description:
*
*   Passed to OC_ConfigureDII().
*   Configures a discrete input interrupt for a module.
*
*****/
typedef struct tagDII_CFG
{
    BYTE    SlotNum;          /* slot number */
    BYTE    IOIncludeMask;    /* declare which Discrete Inputs can cause interrupts */
    BYTE    IOEdgeType;       /* select required transition of each discrete input */
    WORD    PresetCount;      /* set the number of transitions required to cause interrupt */
} DII_CFG;

/*****
* Structure Name: STSFILE
*
* Description:
*
*   Scanner status file.
*
*****/
typedef struct tagSTSFILE
{
    WORD    wWordNum[OCSTSFILEWSIZE];
} STSFILE;

/*****
* Structure Name: MSGBUF
*
* Description:
*
*   Returned by OC_PollScanner().
*   MsgID identifies the message type.  Type-specific
*   data is contained in MsgData[].
*
*****/
#define OCMSGDATASIZE 4      /* number of bytes of message data */
typedef struct tagMSGBUF
{
    BYTE    MsgID;           /* Message type */
    BYTE    MsgData[OCMSGDATASIZE]; /* Type-specific data */
} MSGBUF;

/*****
* Structure Name: OCEXTERR
*

```

```

* Description:
*
*   Returned by OC_GetExtendedError().
*   I/O error report from scanner.
*
*****/
#define OCERRDATASIZE 3 /* number of bytes of error data */
typedef struct tagOCEXTERR
{
    BYTE      ErrorCode; /* Major error code */
    BYTE      SlotNum; /* Associated slot number */
    BYTE      ErrorData[OCERRDATASIZE]; /* Subsystem error data */
} OCEXTERR;
/*****
* Structure Name: OCVERSIONINFO
*
* Description:
*
*   Returned by OC_GetVersionInfo().
*   Software and hardware version numbers.
*
*****/
typedef struct tagOCVERSIONINFO
{
    WORD      APISeries; /* API series */
    WORD      APIRevision; /* API revision */
    WORD      ScannerFirmwareSeries; /* Scanner firmware series */
    WORD      ScannerFirmwareRevision; /* Scanner firmware revision */
    WORD      OCHardwareSeries; /* Hardware series */
    WORD      OCHardwareRevision; /* Hardware revision */
} OCVERSIONINFO;

/*****
* Structure Name: OCDEVICEINFO
*
* Description:
*
*   Returned by OC_GetDeviceInfo().
*   Information regarding the scanner device.
*
*****/
typedef struct tagOCDEVICEINFO
{
    WORD      ScannerType; /* OC, PCIS, etc */
    WORD      ScannerIrq; /* Interrupt */
    DWORD     ScannerMemory; /* Memory window physical address */
    WORD      ControlIo; /* PCIS control register I/O address */
    DWORD     SRAM_Size; /* Always 0 for DOS */
} OCDEVICEINFO;

/* return packing alignment to command-line option */
#ifdef __BORLANDC__
#pragma option -a.
#endif /* __BORLANDC */

#ifdef _MSC_VER
#pragma pack()
#endif /* _MSC_VER */

/*****
**      FUNCTION PROTOTYPES      **
*****/
int pascal OC_OpenScanner(HANDLE *, WORD, BYTE);

```

```
int pascal OC_CloseScanner(HANDLE);
int pascal OC_InitScanner(HANDLE, OCINIT *);
int pascal OC_GetScannerInitInfo(HANDLE, OCINIT *);
int pascal OC_ResetScanner(HANDLE, int);
int pascal OC_GetScannerStatus(HANDLE, BYTE *);
int pascal OC_CreateIOConfiguration(OCIOCFG *);
int pascal OC_DownloadIOConfiguration(HANDLE, OCIOCFG *);
int pascal OC_GetIOConfiguration(HANDLE, OCIOCFG *);
int pascal OC_ConfigureDII(HANDLE, DII_CFG *);
int pascal OC_SetModuleInterrupt(HANDLE, int, int);
int pascal OC_SetScanTime(HANDLE, int, int);
int pascal OC_SetOutputUpdateMode(HANDLE, int);
int pascal OC_EnableEOSNotify(HANDLE, int);
int pascal OC_GetLastFaultCause(HANDLE, BYTE *, int *);
int pascal OC_SetScanMode(HANDLE, int);
int pascal OC_ClearFault(HANDLE);
int pascal OC_SetIOIdleState(HANDLE, int);
int pascal OC_GetStatusFile(HANDLE, STSFILF *);
int pascal OC_PollScanner(HANDLE, int, MSGBUF *);
int pascal OC_ReadInputImage(HANDLE, WORD *, int, WORD, WORD, WORD *);
int pascal OC_GetInputImageUpdateCounter(HANDLE, BYTE *);
int pascal OC_ReadOutputImage(HANDLE, WORD *, int, WORD, WORD, WORD *);
int pascal OC_WriteOutputImage(HANDLE, WORD *, int, WORD, WORD, WORD *);
int pascal OC_WriteModuleFile(HANDLE, BYTE, WORD *, int, WORD, WORD);
int pascal OC_ReadModuleFile(HANDLE, BYTE, WORD *, int, WORD, WORD);
int pascal OC_EnableForces(HANDLE, int);
int pascal OC_SetForces(HANDLE, FORCEDATA *);
int pascal OC_EnableSlot(HANDLE, int, int);
int pascal OC_DemandOutputScan(HANDLE, int);
int pascal OC_GetUserLEDState(HANDLE, int, int *);
int pascal OC_SetUserLEDState(HANDLE, int, int);
int pascal OC_GetBatteryStatus(HANDLE, BYTE *);
int pascal OC_GetTemperature(HANDLE, BYTE *);
int pascal OC_GetSwitchPosition(HANDLE, BYTE *);
int pascal OC_GetUserJumperState(HANDLE, BYTE *);
int pascal OC_SetHostWatchdog(HANDLE, int, WORD);
int pascal OC_PetHostWatchdog(HANDLE);
int pascal OC_GetScannerWatchdogCount(HANDLE, BYTE *);
int pascal OC_GetResetCause(HANDLE, int *);
int pascal OC_WriteHostRetentiveData(HANDLE, BYTE *, WORD, WORD);
int pascal OC_ReadHostRetentiveData(HANDLE, BYTE *, WORD, WORD);
int pascal OC_GetVersionInfo(HANDLE, OCVERSIONINFO *);
int pascal OC_GetExtendedError(HANDLE, OCEXTERR *);
void pascal OC_CalculateCRC(BYTE *, WORD, WORD *);
int pascal OC_ErrorMsg(int, char **);
int pascal OC_ExtendedErrorMsg(HANDLE, OCEXTERR *, char **);
int pascal OC_GetMeasuredScanTime(HANDLE, WORD *, WORD *);
int pascal OC_WriteIOConfigFile(OCIOCFG *, char *);
int pascal OC_ReadIOConfigFile(OCIOCFG *, char *);
int pascal OC_ReadRtcSRAM(BYTE *, WORD, WORD);
int pascal OC_WriteRtcSRAM(BYTE *, WORD, WORD);
int pascal OC_SetupPowerFailAction(HANDLE, BYTE *, WORD, WORD, void (*)(void));
int pascal OC_SetInputUpdateMode(HANDLE, int);
int pascal OC_DemandInputScan(HANDLE, int);
int pascal OC_SetupMessageCallback(HANDLE, int, int (*)(void));
int pascal OC_GetDeviceInfo(HANDLE, OCDEVICEINFO *);

#endif /* OCAPI_H */
```

Windows NT Header File

```

/*****
*
*   Title: 1746 I/O PCI Interface API library header file
*
*   Abstract:
*
*       Contains definitions, structures, and function templates for
*       all functions defined in the Open Controller API. This file is
*       distributed as part of the API.
*
*   Environment:
*       1747-PCIS, -PCIS2 Bus Interface
*       Microsoft Windows NT 4.0
*
*       (c)Copyright Allen-Bradley
*
*****/
#ifndef OCAPI_H
#define OCAPI_H

#include <windows.h>          /* include standard windows definitions */

/* ***** CONSTANTS ***** */
/* ***** API Function Return Values ***** */
/* These values are returned by the API functions to indicate success or possible
/* error conditions.
/*
#define SUCCESS                0          /* function returned successfully */
#define ERR_OCOPEN             1          /* scanner already open */
#define ERR_OCACCESS           2          /* handle does not have access to scanner */
#define ERR_OCMEM              3          /* shared memory cannot be found */
#define ERR_OCREINIT           4          /* scanner has already been initialized */
#define ERR_OCINIT            5          /* scanner has not been initialized */
#define ERR_OCPAR              6          /* Init failed due to invalid partition info */
#define ERR_OCPOST             7          /* scanner POST failure */
#define ERR_OCPARAM            8          /* parameter contains invalid value */
#define ERR_OCIOCFG            9          /* IO Configuration is invalid */
#define ERR_OCRESPONSE         10         /* scanner did not respond to request successfully */
#define ERR_OCEXTERR           11         /* scanner responded with an extended error message */
#define ERR_OCSLOT             12         /* slot number is invalid */
#define ERR_OCFAULT            13         /* request denied because scanner faulted */
#define ERR_OCSCONFIG          14         /* Scanner IO Configuration not downloaded */
#define ERR_OCNOFORCES         15         /* no forces installed, cannot enable forces */
#define ERR_OCOVERRUN          16         /* DII, I/O Int, or ErrReport message overrun */
#define ERR_OCOUTOFMEM         17         /* memory allocate failed */
#define ERR_OCUNKNOWN          18         /* unknown module type */
#define ERR_OCFILERROR         19         /* error occurred while reading/writing disk file */
#define ERR_OCNOTSUPP          20         /* function not supported on this platform */

/* ***** Extended Error Codes ***** */
/* These values are returned in the ErrorCode member of the OCEXTERR
/* structure that is returned from the OC_GetExtendedError() function.
/*
#define EERR_OCINVALIDDIR      0x01       /* Downloaded directory file is invalid */
#define EERR_OCINTSWERR        0x08       /* Internal scanner software error */
#define EERR_OCCFGCORRUPT      0x12       /* Downloaded configuration is corrupted */
#define EERR_OCEXPPWRFAIL      0x21       /* Power fail on expansion rack detected */
#define EERR_OCINVALIDDII      0x2E       /* Invalid DII input slot */

```

```

#define EERR_OCWDTIMEOUT    0x40    /* Host Watchdog Timeout occurred */
#define EERR_OCMODACCESS    0x50    /* Data error while accessing module */
#define EERR_OCPINTSTUCK    0x51    /* Stuck PINT error */
#define EERR_OCMODMISSING   0x52    /* Module is missing */
#define EERR_OCMODINNOSLOT  0x53    /* Module detected in unused slot */
#define EERR_OCMODMISMATCH  0x54    /* Module type does not match downloaded configuration */
#define EERR_OCIOMISMATCH   0x55    /* Module I/O mix does not match downloaded configuration */
#define EERR_OCRACKMISMATCH 0x56    /* Rack type does not match downloaded configuration */
#define EERR_OCSPIOLCKTOUT  0x57    /* Specialty I/O module lock memory command timeout */
#define EERR_OCSPIOFULT     0x58    /* Specialty I/O module fault */
#define EERR_OCSPIOCMDTOUT  0x59    /* Specialty I/O module command timeout */
#define EERR_OCMODINT       0x5A    /* Module interrupt problem */
#define EERR_OCGFILE        0x5B    /* G file configuration error */
#define EERR_OCMFILE        0x5C    /* M0/M1 file configuration error */
#define EERR_OCINVALIDINT   0x5D    /* Unsupported interrupt service requested by module */
#define EERR_OCIODRIVER     0x5E    /* I/O driver error */
#define EERR_OCMODULEMIN    0x60    /* 0x60-0x8F - Module specific errors - see module doc */
#define EERR_OCMODULEMAX    0x8F    /* 0x60-0x8F - Module specific errors - see module doc */
#define EERR_OCINVALIDMINT  0x90    /* MINT occurred on disabled slot */
#define EERR_OCINVALIDPINT  0x91    /* PINT occurred on disabled slot */
#define EERR_OCUNKMODERR    0x93    /* Unsupported module error */
#define EERR_OCMODRESET     0x94    /* Module has been inserted or reset */
#define EERR_OCSCANNERINT   0xF0    /* Scanner internal error */

/* ***** Scanner Status ***** */
/* These values are returned by the OC_GetScannerStatus() function. */
/*
#define SCANSTS_POST        0x01    /* Scanner is executing Power-On Self Test */
#define SCANSTS_CRC         0x02    /* Scanner firmware failed CRC checksum */
#define SCANSTS_RAM         0x03    /* Scanner RAM test failed */
#define SCANSTS_BPIC        0x04    /* Scanner backplane IC test failed */
#define SCANSTS_DPR         0x05    /* Scanner Dual-Port Ram test failed */
#define SCANSTS_THERM       0x06    /* Scanner thermometer test failed */
#define SCANSTS_TIMER       0x07    /* Scanner timer test failed */
#define SCANSTS_INT         0x08    /* Scanner interrupt test failed */
#define SCANSTS_INIT        0x10    /* Scanner POST passed - waiting for initialization */
#define SCANSTS_IDLE        0x11    /* Scanner has been initialized and is in Idle mode */
#define SCANSTS_WDOG        0x12    /* Scanner internal watchdog timeout - scanner halted */
#define SCANSTS_FAULT       0x13    /* Scanner is faulted */
#define SCANSTS_SCAN        0x20    /* Scanner is in Scan mode */

/* ***** Scan Time ***** */
/* These values are passed to the OC_SetScanTime() function. */
/*
#define SCAN_DELAYED        0    /* Select delayed mode - next scan occurs time*10us after end of scan */
#define SCAN_PERIODIC       1    /* Select periodic mode - next scan occurs every time*250us */

/* ***** Scan Mode ***** */
/* These values are passed to the OC_SetScanMode() function. */
/*
#define SCAN_IDLE           0    /* Select Idle mode (not scanning I/O) */
#define SCAN_RUN            1    /* Select Scan mode (scanning I/O) */

/* ***** IO Idle State ***** */
/* These values are passed to the OC_SetIOIdleState() function. */
/*
#define IDLESTATE_RESET    0    /* I/O bus is reset in Idle mode */
#define IDLESTATE_HOLD    1    /* I/O is held in last state in Idle mode */

```

```
/* ***** PollScanner Message ID's ***** */
/* These values are passed to the OC_PollScanner() function (message filter), and */
/* are returned in the MsgID member of the MSGBUF structure. */
/*
#define OCMSG_NONE      0          /* No messages are available (msg ID) */
#define OCMSG_ANY      0          /* Poll for any message (filter) */
#define OCMSG_IOINT    1          /* I/O Module Interrupt */
#define OCMSG_DIINT    2          /* Discrete Input Interrupt */
#define OCMSG_EOS      3          /* End of Scan notification */
#define OCMSG_EOS_DMDIN 4        /* End of Scan notification from demand input */
#define OCMSG_EOS_DMDOUT 5      /* End of Scan notification from demand output */

/* ***** Scanner Force Settings ***** */
/* These values are passed to the OC_EnableForces() function. */
/*
#define FORCE_ENABLE     0          /* Enable forces */
#define FORCE_DISABLE    1          /* Disable forces */
#define FORCE_CLEAR      2          /* Clear all forces */

/* ***** Module Force Settings ***** */
/* These values are passed to the OC_SetForces() function. */
/*
#define FORCE_INPUTS     0          /* Select input forces */
#define FORCE_OUTPUTS    1          /* Select output forces */

/* ***** Slot Settings ***** */
/* These values are passed to the OC_EnableSlot() function. */
/*
#define SLOT_ENABLE     0          /* Enable module */
#define SLOT_DISABLE    1          /* Disable module */

/* ***** LED States ***** */
/* These values are passed to the OC_SetUserLEDState() function, and are */
/* returned by the OC_GetUserLEDState() function. */
/*
#define LED_OFF         0          /* LED is off */
#define LED_RED_SOLID   1          /* LED is Red (continuous) */
#define LED_GREEN_SOLID 2          /* LED is Green (continuous) */
#define LED_RED_FLASH   3          /* LED is flashing Red (1 & 2 only) */
#define LED_GREEN_FLASH 4          /* LED is flashing Green (1 & 2 only) */

/* ***** Battery Status ***** */
/* These values are returned by the OC_GetBatteryStatus() function. */
/*
#define BATTERY_LOW     0          /* Battery voltage is low */
#define BATTERY_GOOD    1          /* Battery is OK */

/* ***** Switch Position ***** */
/* These values are returned by the OC_GetSwitchPosition() function. */
/*
#define SWITCH_TOP      0xFF       /* Switch is in the Top position */
#define SWITCH_MIDDLE   0x00       /* Switch is in the Middle position */
#define SWITCH_BOTTOM   0x01       /* Switch is in the Bottom position */

/* ***** Jumper State ***** */
/* These values are returned by the OC_GetUserJumperState() function. */
/*
```



```

#define JUMPER_PRESENT 0          /* User jumper is installed      */
#define JUMPER_ABSENT  1          /* User jumper is not installed  */
/* ***** Watchdog Settings ***** */
/* These values are passed to the OC_SetHostWatchdog() function.          */
/*                                                                           */
#define WATCHDOG_IGNORE 0        /* Host watchdog is disabled     */
#define WATCHDOG_IDLE  1        /* Scanner with change to Idle mode on host wdog timeout */
#define WATCHDOG_RESET  2        /* Scanner will issue a system reset on host wdog timeout */

/* ***** Reset Cause ***** */
/* These values are returned by the OC_GetResetCause() function.          */
/*                                                                           */
#define RESET_NOT_HOST_WD 0      /* Reset was not caused by the host watchdog */
#define RESET_HOST_WD  1        /* Reset was caused by the host watchdog    */

/* ***** Module I/O Int Modes ***** */
/* These values are passed to the OC_SetModuleInterrupt() function.      */
/*                                                                           */
#define IOINT_ENABLE  1          /* Enable module interrupt       */
#define IOINT_DISABLE 0          /* Disable module interrupt      */
#define IOINT_ACK     -1         /* Acknowledge module interrupt  */

/* ***** Output Update Modes ***** */
/* These values are passed to the OC_SetOutputUpdateMode() function.     */
/*                                                                           */
#define OUTUPD_NEVER  0          /* Never scan outputs            */
#define OUTUPD_CHANGE 1          /* Only scan outputs when output image changes */
#define OUTUPD_ALWAYS 2          /* Scan outputs every scan      */

/* ***** Input Update Modes ***** */
/* These values are passed to the OC_SetInputUpdateMode() function.      */
/*                                                                           */
#define INUPD_NEVER  0          /* Never scan outputs            */
#define INUPD_ALWAYS 1          /* Scan outputs every scan      */

/* ***** EndOfScan Modes ***** */
/* These values are passed to the OC_EnableEOSNotify() function.         */
/*                                                                           */
#define EOSMSG_ENABLE  0          /* Enable end-of-scan notification messages */
#define EOSMSG_DISABLE 1          /* Disable end-of-scan notification messages */

/* ***** Wait Flags ***** */
#define OCNOWAIT 0          /* Return without waiting for operation to complete */
#define OCWAIT  1          /* Wait for operation to complete before returning */

/* ***** Module File Types ***** */
/* These values are passed to the OC_WriteModuleFile() and OC_ReadModuleFile() */
/* functions.                                                                    */
/*                                                                           */
#define FILTYP_G 0x05        /* Module G file                */
#define FILTYP_M0 0x08        /* Module M0 file                */
#define FILTYP_M1 0x09        /* Module M1 file                */

/* ***** I/O Configuration Definitions ***** */
#define OCMAXSLOT 31          /* Maximum number of slots (slot 0 is reserved for PCIL) */
#define OCEMPTYTYPE 0xFF      /* Mix and type codes for empty slots and slot 0 */
#define OCEMPTYMIX 0xFF      /* Wildcard type code - matches any module type */
#define OCWILDTYPE 0xFF      /* Wildcard type code - matches any module type */

```

```

#define OCSTSFILERSIZE      25      /* Status file size in words */

#define OCRTCSRAMSIZESIZE  0x1000 /* size of real-time clock SRAM */

#define OCSEGMENTSIZELIMIT 0x1A00 /* size of dual-port RAM available for I/O and host partitions */

/* **** Device Type Definitions **** */
/* Returned by OC_GetDeviceInfo(). */
#define OCDEVTYPE_OC      1      /* 1747-PCIL */
#define OCDEVTYPE_PCIS    2      /* 1747-PCIS */

/* ***** */
/* ** STRUCTURES ** */
/* ***** */

/* ensure structures are byte-aligned */
#ifdef _BORLANDC_
#pragma option -al
#endif /* _BORLANDC_ */

#ifdef _MSC_VER
#pragma pack(1)
#endif /* _MSC_VER */

/*****
* Structure Name: OCINIT
*
* Description:
*
* Passed to OC_InitScanner() function to specify
* dual-port RAM partition sizes for output image,
* input image, and host retentive data.
*
*****/
typedef struct tagOCINIT
{
    WORD      OutputImageSize;      /* size in bytes */
    WORD      InputImageSize;      /* size in bytes */
    WORD      HostRetentiveDataSize; /* size in bytes */
} OCINIT;

/*****
* Structure Name: OCSLOTCFG
*
* Description:
*
* Configuration information for a module. The mix and
* type codes together form a unique identification for
* each module.
*
*****/
typedef struct tagOCSLOTCFG
{
    BYTE      mix;                  /* mix code */
    BYTE      type;                 /* type code */
    BYTE      InputSize;            /* number of inputs in bytes */
    BYTE      OutputSize;          /* number of outputs in bytes */
    WORD      M0Size;               /* size of M0 file in words */
    WORD      M1Size;               /* size of M1 file in words */
    WORD      GSize;                /* size of G file in words */
    WORD      *GData;               /* pointer to array of length GSize words */
}

```

```

    char        *Name;          /* pointer to module name string */
} OCSLOTCFG;

/*****
* Structure Name: OCIOCFG
*
* Description:
*
* Used by OC_CreateIOConfiguration(), OC_GetIOConfiguration(),
* and OC_DownloadIOConfiguration().
* Configuration information for a system. 1, 2, or 3
* racks may be configured for up to 30 I/O modules.
* (Slot 0 is reserved for the Open Controller.)
*
*****/
typedef struct tagOCIOCFG
{
    BYTE        Rack1Size;      /* number of slots in Rack 1 */
    BYTE        Rack2Size;      /* number of slots in Rack 2 */
    BYTE        Rack3Size;      /* number of slots in Rack 3 */
    OCSLOTCFG   SlotCfg[OCMAXSLOT]; /* configuration for each slot */
} OCIOCFG;

/*****
* Structure Name: FORCEDATA
*
* Description:
*
* Passed to OC_SetForces().
* Configures input and output forces.
*
*****/
typedef struct tagFORCEDATA
{
    BYTE        SlotNum;        /* slot number */
    WORD        WordOffset;     /* offset to word to force */
    BYTE        IOType;         /* selects force inputs or outputs */
    WORD        ForceMask;      /* bits set to 1 are forced, 0 removes forces */
    WORD        ForceVal;       /* selects force state of bits set to 1 in ForceMask */
} FORCEDATA;

/*****
* Structure Name: DII_CFG
*
* Description:
*
* Passed to OC_ConfigureDII().
* Configures a discrete input interrupt for a module.
*
*****/
typedef struct tagDII_CFG
{
    BYTE        SlotNum;        /* slot number */
    BYTE        IOIncludeMask;  /* declare which Discrete Inputs can cause interrupts */
    BYTE        IOEdgeType;     /* select required transition of each discrete input */
    WORD        PresetCount;     /* set the number of transitions required to cause interrupt */
} DII_CFG;

/*****
* Structure Name: STSFILE
*

```

```

* Description:
*
*   Scanner status file.
*
*****/
typedef struct tagSTSFIL
{
    WORD        wWordNum[OCSTSFILSIZE];
} STSFIL;

/*****
* Structure Name: MSGBUF
*
* Description:
*
*   Returned by OC_PollScanner().
*   MsgID identifies the message type.  Type-specific
*   data is contained in MsgData[].
*
*****/
#define OCMSGDATASIZE 4      /* number of bytes of message data */
typedef struct tagMSGBUF
{
    BYTE        MsgID;                /* Message type */
    BYTE        MsgData[OCMSGDATASIZE]; /* Type-specific data */
} MSGBUF;

/*****
* Structure Name: OCEXTERR
*
* Description:
*
*   Returned by OC_GetExtendedError().
*   I/O error report from scanner.
*
*****/
#define OCERRDATASIZE 3      /* number of bytes of error data */
typedef struct tagOCEXTERR
{
    BYTE        ErrorCode;            /* Major error code */
    BYTE        SlotNum;              /* Associated slot number */
    BYTE        ErrorData[OCERRDATASIZE]; /* Subsystem error data */
} OCEXTERR;

/*****
* Structure Name: OCVERSIONINFO
*
* Description:
*
*   Returned by OC_GetVersionInfo().
*   Software and hardware version numbers.
*
*****/
typedef struct tagOCVERSIONINFO
{
    WORD        APISeries;            /* API series */
    WORD        APIRevision;          /* API revision */
    WORD        ScannerFirmwareSeries; /* Scanner firmware series */
    WORD        ScannerFirmwareRevision; /* Scanner firmware revision */
    WORD        OCHardwareSeries;     /* Hardware series */
    WORD        OCHardwareRevision;   /* Hardware revision */
    WORD        OCdriverSeries;       /* Device driver series */
}

```

```

    WORD        OCdriverRevision;          /* Device driver revision */
} OCVERSIONINFO;

/*****
* Structure Name: OCDEVICEINFO
*
* Description:
*
*   Returned by OC_GetDeviceInfo().
*   Information regarding the scanner device.
*
*****/
typedef struct tagOCDEVICEINFO
{
    WORD        ScannerType;              /* OC, PCIS, etc          */
    WORD        ScannerIrq;               /* Interrupt              */
    DWORD       ScannerMemory;            /* Memory window physical address */
    WORD        ControlIo;                /* PCIS Control registers I/O address */
    DWORD       SRAM_Size;                /* Size of SRAM in bytes  */
} OCDEVICEINFO;

/* return packing alignment to command-line option */
#ifdef _BORLANDC_
#pragma option -a.
#endif /* _BORLANDC_ */

#ifdef _MSC_VER
#pragma pack()
#endif /* _MSC_VER */

/* Define a convenient macro for library function declarations */
#ifndef _DLLEXPORT_

#ifdef __cplusplus
#define DLLENTY extern "C" __declspec(dllexport)
#else
#define DLLENTY __declspec(dllexport)
#endif

#else /* _DLLEXPORT_ */

#ifdef __cplusplus
#define DLLENTY extern "C" __declspec(dllimport)
#else
#define DLLENTY __declspec(dllimport)
#endif

#endif /* _DLLEXPORT_ */

/* Define api calling convention */
#define OCAPI __stdcall

/*****
**      FUNCTION PROTOTYPES      **
*****/
DLLENTY int OCAPI OC_OpenScanner(HANDLE *);
DLLENTY int OCAPI OC_CloseScanner(HANDLE);
DLLENTY int OCAPI OC_InitScanner(HANDLE, OCINIT *);
DLLENTY int OCAPI OC_GetScannerInitInfo(HANDLE, OCINIT *);
DLLENTY int OCAPI OC_ResetScanner(HANDLE, int);
DLLENTY int OCAPI OC_GetScannerStatus(HANDLE, BYTE *);

```

```
DLLENTY int OCAPI OC_CreateIOConfiguration(OCIOCFG *);
DLLENTY int OCAPI OC_DownloadIOConfiguration(HANDLE, OCIOCFG *);
DLLENTY int OCAPI OC_GetIOConfiguration(HANDLE, OCIOCFG *);
DLLENTY int OCAPI OC_ConfigureDII(HANDLE, DII_CFG *);
DLLENTY int OCAPI OC_SetModuleInterrupt(HANDLE, int, int);
DLLENTY int OCAPI OC_SetScanTime(HANDLE, int, int);
DLLENTY int OCAPI OC_SetOutputUpdateMode(HANDLE, int);
DLLENTY int OCAPI OC_EnableEOSNotify(HANDLE, int);
DLLENTY int OCAPI OC_GetLastFaultCause(HANDLE, BYTE *, int *);
DLLENTY int OCAPI OC_SetScanMode(HANDLE, int);
DLLENTY int OCAPI OC_ClearFault(HANDLE);
DLLENTY int OCAPI OC_SetIOIdleState(HANDLE, int);
DLLENTY int OCAPI OC_GetStatusFile(HANDLE, STSFILE *);
DLLENTY int OCAPI OC_PollScanner(HANDLE, int, MSGBUF *);
DLLENTY int OCAPI OC_ReadInputImage(HANDLE, WORD *, int, WORD, WORD, WORD *);
DLLENTY int OCAPI OC_GetInputImageUpdateCounter(HANDLE, BYTE *);
DLLENTY int OCAPI OC_ReadOutputImage(HANDLE, WORD *, int, WORD, WORD, WORD *);
DLLENTY int OCAPI OC_WriteOutputImage(HANDLE, WORD *, int, WORD, WORD, WORD *);
DLLENTY int OCAPI OC_WriteModuleFile(HANDLE, BYTE, WORD *, int, WORD, WORD);
DLLENTY int OCAPI OC_ReadModuleFile(HANDLE, BYTE, WORD *, int, WORD, WORD);
DLLENTY int OCAPI OC_EnableForces(HANDLE, int);
DLLENTY int OCAPI OC_SetForces(HANDLE, FORCEDATA *);
DLLENTY int OCAPI OC_EnableSlot(HANDLE, int, int);
DLLENTY int OCAPI OC_DemandOutputScan(HANDLE, int);
DLLENTY int OCAPI OC_GetUserLEDState(HANDLE, int, int *);
DLLENTY int OCAPI OC_SetUserLEDState(HANDLE, int, int);
DLLENTY int OCAPI OC_GetBatteryStatus(HANDLE, BYTE *);
DLLENTY int OCAPI OC_GetTemperature(HANDLE, BYTE *);
DLLENTY int OCAPI OC_GetSwitchPosition(HANDLE, BYTE *);
DLLENTY int OCAPI OC_GetUserJumperState(HANDLE, BYTE *);
DLLENTY int OCAPI OC_SetHostWatchdog(HANDLE, int, WORD);
DLLENTY int OCAPI OC_PetHostWatchdog(HANDLE);
DLLENTY int OCAPI OC_GetScannerWatchdogCount(HANDLE, BYTE *);
DLLENTY int OCAPI OC_GetResetCause(HANDLE, int *);
DLLENTY int OCAPI OC_WriteHostRetentiveData(HANDLE, BYTE *, WORD, WORD);
DLLENTY int OCAPI OC_ReadHostRetentiveData(HANDLE, BYTE *, WORD, WORD);
DLLENTY int OCAPI OC_GetVersionInfo(HANDLE, OCVERSIONINFO *);
DLLENTY int OCAPI OC_GetExtendedError(HANDLE, OCEXTERR *);
DLLENTY void OCAPI OC_CalculateCRC(BYTE *, WORD, WORD *);
DLLENTY int OCAPI OC_ExtendedErrorMsg(HANDLE, OCEXTERR *, char **);
DLLENTY int OCAPI OC_ErrorMsg(int, char **);
DLLENTY int OCAPI OC_GetMeasuredScanTime(HANDLE, WORD *, WORD *);
DLLENTY int OCAPI OC_WriteIOConfigFile(OCIOCFG *, char *);
DLLENTY int OCAPI OC_ReadIOConfigFile(OCIOCFG *, char *);
DLLENTY int OCAPI OC_ReadRtcSRAM(HANDLE, BYTE *, WORD, WORD);
DLLENTY int OCAPI OC_WriteRtcSRAM(HANDLE, BYTE *, WORD, WORD);
DLLENTY int OCAPI OC_ReadSRAM(HANDLE, BYTE *, DWORD, DWORD);
DLLENTY int OCAPI OC_WritesRAM(HANDLE, BYTE *, DWORD, DWORD);
DLLENTY int OCAPI OC_SetInputUpdateMode(HANDLE, int);
DLLENTY int OCAPI OC_DemandInputScan(HANDLE, int);
DLLENTY int OCAPI OC_WaitForDII(HANDLE, DWORD);
DLLENTY int OCAPI OC_WaitForIoInt(HANDLE, DWORD);
DLLENTY int OCAPI OC_WaitForEos(HANDLE, DWORD);
DLLENTY int OCAPI OC_WaitForEosDmdIn(HANDLE, DWORD);
DLLENTY int OCAPI OC_WaitForEosDmdOut(HANDLE, DWORD);
DLLENTY int OCAPI OC_WaitForExtError(HANDLE, DWORD);
DLLENTY int OCAPI OC_WaitForPowerFail(HANDLE, DWORD);
DLLENTY int OCAPI OC_GetDeviceInfo(HANDLE, OCDEVICEINFO *);

#endif /* OCAPI_H */
```

Numerics**1746 I/O PCI Interface Architecture 1-4****A****Access the Scanner**

During the programming sequence 3-2

API Functions

Error codes A-1

Organization 3-1

API Interface

Installing the DOS API 1-8

Installing the NT API 1-8

Removing the NT API 1-10

Tools to use 2-4

API Software for DOS 1-2**API Software for NT 1-3****API Structures 4-1****Architecture**

1746 I/O PCI interface 1-4

Common attributes of the 1747-OCF and 1746-PCIS 1-5

Open Controller 1-4

B**Borland Compilers**

Sample DOS MAKE file 2-4

Sample NT MAKE file 2-8

C**Common attributes of the 1747-OCF and 1746-PCIS 1-5****Configure the Scanner**

During the programming sequence 3-3

Configuring I/O 5-1**Control Scanner Operation**

During the programming sequence 3-4

D**Determining Partition Sizes for Shared Memory 3-18****Documentation**

Additional Open Controller publications P-2

Reference material P-1

DOS Header File C-1**DOS Programming Considerations 2-2****DOS Programming Example 3-5****E****Error Codes**

Extended A-2

Errors 3-17**Errors Codes**

Returned by API functions A-1

Extended Error Codes A-2**F****Faulted 1-6****Function Calls**

Testing B-1

G**G Files**

Using 5-3

Getting Started 2-1**H****Handling Errors 3-17****Handling Interrupt Messages 3-17****Header File**

DOS C-1

NT C-10

I**I/O**

Configuring 5-1

Supported modules 5-4

Idle 1-6**Initialize the Scanner**

During the programming sequence 3-2

Installing the DOS API 1-8**Installing the NT API 1-8****Interfacing API to the Scanner 1-2**

API software for DOS 1-2

API software for NT 1-3

Interrupt Messages 3-17**L****LED Indicators 1-7****Library of Routines 6-1**

M**M0-M1 Files**

Using 5-3

Microsoft Compilers

Sample DOS MAKE file 2-5

Sample NT MAKE file 2-6

N**Non-Recoverable Fault 1-6****NT Header File C-10****NT Programming Considerations 2-3****NT Programming Example 3-11****O****OC_CalculateCRC Routine 6-1****OC_ClearFault Routine 6-2****OC_CloseScanner Routine 6-3****OC_ConfigureDLL Routine 6-4****OC_CreateIOConfiguration Routine 6-6****OC_DemandInputScan Routine 6-7****OC_DemandOutputScan Routine 6-8****OC_DownloadIOConfiguration Routine 6-9****OC_EnableEOSNotify Routine 6-10****OC_EnableForces Routine 6-12****OC_EnableSlot Routine 6-13****OC_ErrorMsg Routine 6-14****OC_ExtendedErrorMsg Routine 6-15****OC_GetBatteryStatus Routine 6-17****OC_GetDeviceInfo Routine 6-18****OC_GetExtendedError Routine 6-19****OC_GetInputUpdateCounter Routine 6-20****OC_GetIOConfiguration Routine 6-21****OC_GetLastFaultCause Routine 6-22****OC_GetMeasuredScanTime Routine 6-24****OC_GetResetCause Routine 6-25****OC_GetScannerInitInfo Routine 6-26****OC_GetScannerStatus Routine 6-27****OC_GetScannerWatchdogCount Routine 6-29****OC_GetStatusFile Routine 6-30****OC_GetSwitchPosition Routine 6-34****OC_GetTemperature Routine 6-35****OC_GetUserJumperState Routine 6-36****OC_GetUserLEDState Routine 6-37****OC_GetVersionInfo Routine 6-38****OC_InitScanner Routine 6-39****OC_OpenScanner Routine 6-41****OC_PetHostWatchdog Routine 6-43****OC_PollScanner Routine 6-44****OC_ReadHostRetentiveData Routine 6-46****OC_ReadInputImage Routine 6-47****OC_ReadIOConfigFile Routine 6-49****OC_ReadModuleFile Routine 6-50****OC_ReadOutputImage Routine 6-51****OC_ReadSRAM Routine 6-52****OC_ResetScanner Routine 6-54****OC_SetForces Routine 6-55****OC_SetHostWatchdog Routine 6-56****OC_SetInputUpdateMode Routine 6-58****OC_SetIdleState Routine 6-59****OC_SetModuleInterrupt Routine 6-60****OC_SetOutputUpdateMode Routine 6-61****OC_SetScanMode Routine 6-63****OC_SetScanTime Routine 6-64****OC_SetupPowerFailAction Routine 6-66****OC_SetUserLEDState Routine 6-65****OC_WaitForDII Routine 6-68****OC_WaitForEos Routine 6-69****OC_WaitForEosDmdIn Routine 6-70****OC_WaitForEosDmdOut Routine 6-71****OC_WaitForExtError Routine 6-73****OC_WaitForIoInt Routine 6-74****OC_WriteHostRetentiveData Routine 6-75****OC_WriteIOConfigFile Routine 6-76****OC_WriteModuleFile Routine 6-77****OC_WriteOutputImage Routine 6-78****OC_WriteSRAM Routine 6-80****Open Controller Architecture 1-4****P****Partition Sizes**

Determining for shared memory 3-18

Performing POST 1-6**Programming Conventions 2-2**

DOS considerations 2-2

NT considerations 2-3

Programming Example

DOS 3-5

NT 3-11

Programming Information

Routines 6-1

Programming Sequence 3-1

Access the scanner 3-2

Configure the scanner 3-3

Control scanner operation 3-4

Initialize the scanner 3-2

Scan I/O 3-4

R

Reference Material P-1

Relationship Between the 1747-OCF and 1746-PCIS 1-1

Removing the NT API 1-10

Routines 6-1

OC_CalculateCRC 6-1
 OC_ClearFault 6-2
 OC_CloseScanner 6-3
 OC_ConfigureDLL 6-4
 OC_CreateIOConfiguration 6-6
 OC_DemandInputScan 6-7
 OC_DemandOutputScan 6-8
 OC_DownloadIOConfiguration 6-9
 OC_EnableEOSNotify 6-10
 OC_EnableForces 6-12
 OC_EnableSlot 6-13
 OC_ErrorMsg 6-14
 OC_ExtendedErrorMsg 6-15
 OC_GetBatteryStatus 6-17
 OC_GetDeviceInfo 6-18
 OC_GetExtendedError 6-19
 OC_GetInputImageUpdateCounter 6-20
 OC_GetIOConfiguration 6-21
 OC_GetLastFaultCause 6-22
 OC_GetMeasuredScanTime 6-24
 OC_GetResetCause 6-25
 OC_GetScannerInitInfo 6-26
 OC_GetScannerStatus 6-27
 OC_GetScannerWatchdogCount 6-29
 OC_GetStatusFile 6-30
 OC_GetSwitchPosition 6-34
 OC_GetTemperature 6-35
 OC_GetUserJumperState 6-36
 OC_GetUserLEDState 6-37
 OC_GetVersionInfo 6-38
 OC_InitScanner 6-39
 OC_OpenScanner 6-41
 OC_PetHostWatchdog 6-43
 OC_PollScanner 6-44
 OC_ReadHostRetentiveData 6-46
 OC_ReadInputImage 6-47
 OC_ReadIOConfigFile 6-49
 OC_ReadModuleFile 6-50
 OC_ReadOutputImage 6-51
 OC_ReadSRAM 6-52
 OC_ResetScanner 6-54
 OC_SetForces 6-55
 OC_SetHostWatchdog 6-56
 OC_SetInputUpdateMode 6-58

OC_SetIdleState 6-59
 OC_SetModuleInterrupt 6-60
 OC_SetOutputUpdateMode 6-61
 OC_SetScanMode 6-63
 OC_SetScanTime 6-64
 OC_SetupPowerFailAction 6-66
 OC_SetUserLEDState 6-65
 OC_WaitForDII 6-68
 OC_WaitForEos 6-69
 OC_WaitForEosDmdIn 6-70
 OC_WaitForEosDmdOut 6-71
 OC_WaitForExtError 6-73
 OC_WaitForInt 6-74
 OC_WriteHostRetentiveData 6-75
 OC_WriteIOConfigFile 6-76
 OC_WriteModuleFile 6-77
 OC_WriteOutputImage 6-78
 OC_WriteSRAM 6-80

S

Sample DOS MAKE File

Borland compilers 2-4
 Microsoft compilers 2-5

Sample NT MAKE File

Borland compilers 2-8
 Microsoft compilers 2-6

Scan 1-6

Scan I/O

During the programming sequence 3-4

Scanner Modes 1-6

Faulted 1-6
 Idle 1-6
 Non-recoverable fault 1-6
 Performing POST 1-6
 Scan 1-6
 Waiting for host initialization 1-6

Shared Memory

Determining partition sizes 3-18

Software Interface

Developing API software for DOS 1-2
 Developing API software for NT 1-3
 Developing interface 1-2

Status

LED indicators 1-7

Structures

API 4-1

Support P-3

Supported I/O Modules 5-4

T

- Telephone Support P-3**
- Terminology P-1**
- Testing Function Calls B-1**
- Tools 2-4**
- Troubleshooting**
 - LED indicators 1-7

U

- Using M0-M1 and G Files 5-3**

W

- Waiting for Host Initialization 1-6**



Allen-Bradley Publication Problem Report

If you find a problem with our documentation, please complete and return this form.

Pub. Name API Software for 1746 I/O PCI Interface and 1747-OC Open Controller User Manual

Cat. No. 1747-PCIS, -OCF Pub. No. 1747-UM002A-US-P Pub. Date June 2000 Part No. 957259-85

Check Problem(s) Type:	Describe Problem(s):	Internal Use Only
<input type="checkbox"/> Technical Accuracy	<input type="checkbox"/> text <input type="checkbox"/> illustration	
<input type="checkbox"/> Completeness What information is missing?	<input type="checkbox"/> procedure/step <input type="checkbox"/> illustration <input type="checkbox"/> definition	<input type="checkbox"/> info in manual (accessibility)
	<input type="checkbox"/> example <input type="checkbox"/> guideline <input type="checkbox"/> feature	<input type="checkbox"/> info not in manual
	<input type="checkbox"/> explanation <input type="checkbox"/> other	
<input type="checkbox"/> Clarity What is unclear?		
<input type="checkbox"/> Sequence What is not in the right order?		
<input type="checkbox"/> Other Comments Use back for more comments.		

Your Name _____ Location/Phone _____

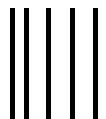
Return to: Marketing Communications, Allen-Bradley Co., 1 Allen-Bradley Drive, Mayfield Hts., OH 44124-6118
Phone: (440)646-3176
FAX: (440)646-4320

PLEASE FASTEN HERE (DO NOT STAPLE)

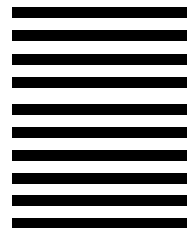
Other Comments

PLEASE FOLD HERE

PLEASE REMOVE



NO POSTAGE
NECESSARY
IF MAILED
IN THE
UNITED STATES



BUSINESS REPLY MAIL
FIRST-CLASS MAIL PERMIT NO. 18235 CLEVELAND OH

POSTAGE WILL BE PAID BY THE ADDRESSEE



Allen-Bradley

1 ALLEN BRADLEY DR
MAYFIELD HEIGHTS OH 44124-9705



Reach us now at www.rockwellautomation.com

Wherever you need us, Rockwell Automation brings together leading brands in industrial automation including Allen-Bradley controls, Reliance Electric power transmission products, Dodge mechanical power transmission components, and Rockwell Software. Rockwell Automation's unique, flexible approach to helping customers achieve a competitive advantage is supported by thousands of authorized partners, distributors and system integrators around the world.

Americas Headquarters, 1201 South Second Street, Milwaukee, WI 53204, USA, Tel: (1) 414 382-2000, Fax: (1) 414 382-4444
European Headquarters SA/NV, avenue Herrmann Debroux, 46, 1160 Brussels, Belgium, Tel: (32) 2 663 06 00, Fax: (32) 2 663 06 40
Asia Pacific Headquarters, 27/F Citicorp Centre, 18 Whitfield Road, Causeway Bay, Hong Kong, Tel: (852) 2887 4788, Fax: (852) 2508 1846

Publication 1747-UM002A-US-P - June 2000

Supersedes Publication 1747-6.5.3 - June 1998



**Rockwell
Automation**

PN 957259-85

© 2000 Rockwell International Corporation. Printed in the U.S.A.