

DSP56303EVM User's Manual

Freescale Semiconductor, Inc.

How to Reach Us:

Home Page:

www.freescale.com

E-mail:

support@freescale.com

USA/Europe or Locations Not Listed:

Freescale Semiconductor
Technical Information Center, CH370
1300 N. Alma School Road
Chandler, Arizona 85224
+1-800-521-6274 or +1-480-768-2130
support@freescale.com

Europe, Middle East, and Africa:

Freescale Halbleiter Deutschland GmbH
Technical Information Center
Schatzbogen 7
81829 Muenchen, Germany
+44 1296 380 456 (English)
+46 8 52200080 (English)
+49 89 92103 559 (German)
+33 1 69 35 48 48 (French)
support@freescale.com

Japan:

Freescale Semiconductor Japan Ltd.
Headquarters
ARCO Tower 15F
1-8-1, Shimo-Meguro, Meguro-ku,
Tokyo 153-0064
Japan
0120 191014 or +81 3 5437 9125
support.japan@freescale.com

Asia/Pacific:

Freescale Semiconductor Hong Kong Ltd.
Technical Information Center
2 Dai King Street
Tai Po Industrial Estate
Tai Po, N.T., Hong Kong
+800 2666 8080
support.asia@freescale.com

For Literature Requests Only:

Freescale Semiconductor Literature Distribution Center
P.O. Box 5405
Denver, Colorado 80217
1-800-441-2447 or 303-675-2140
Fax: 303-675-2150
LDCForFreescaleSemiconductor@hibbertgroup.com

Information in this document is provided solely to enable system and software implementers to use Freescale Semiconductor products. There are no express or implied copyright licenses granted hereunder to design or fabricate any integrated circuits or integrated circuits based on the information in this document. Freescale Semiconductor reserves the right to make changes without further notice to any products herein. Freescale Semiconductor makes no warranty, representation or guarantee regarding the suitability of its products for any particular purpose, nor does Freescale Semiconductor assume any liability arising out of the application or use of any product or circuit, and specifically disclaims any and all liability, including without limitation consequential or incidental damages. "Typical" parameters which may be provided in Freescale Semiconductor data sheets and/or specifications can and do vary in different applications and actual performance may vary over time. All operating parameters, including "Typicals" must be validated for each customer application by customer's technical experts. Freescale Semiconductor does not convey any license under its patent rights nor the rights of others. Freescale Semiconductor products are not designed, intended, or authorized for use as components in systems intended for surgical implant into the body, or other applications intended to support or sustain life, or for any other application in which the failure of the Freescale Semiconductor product could create a situation where personal injury or death may occur. Should Buyer purchase or use Freescale Semiconductor products for any such unintended or unauthorized application, Buyer shall indemnify and hold Freescale Semiconductor and its officers, employees, subsidiaries, affiliates, and distributors harmless against all claims, costs, damages, and expenses, and reasonable attorney fees arising out of, directly or indirectly, any claim of personal injury or death associated with such unintended or unauthorized use, even if such claim alleges that Freescale Semiconductor was negligent regarding the design or manufacture of the part.



**For More Information On This Product,
Go to: www.freescale.com**

Quick Start Guide	1
Example Test Program	2
DSP56303EVM Technical Summary	3
DSP56303EVM Schematics	A
DSP56303EVM Parts List	B
Motorola Assembler Notes	C
Codec Programming Tutorial	D
Index	I

1

Quick Start Guide

2

Example Test Program

3

DSP56303EVM Technical Summary

A

DSP56303EVM Schematics

B

DSP56303EVM Parts List

C

Motorola Assembler Notes

D

Codec Programming Tutorial

I

Index

Table of Contents

Chapter 1 Quick Start Guide

1.1	Equipment	1-1
1.1.1	What You Get with the DSP56303EVM	1-1
1.1.2	What You Need to Supply	1-2
1.2	Installation Procedure	1-2
1.2.1	Preparing the DSP56303EVM	1-3
1.2.2	Connecting the DSP56303EVM to the PC and Power.	1-4

Chapter 2 Example Test Program

2.1	Writing the Program.	2-2
2.1.1	Source Statement Format	2-2
2.1.1.1	Label Field	2-3
2.1.1.2	Operation Field	2-3
2.1.1.3	Operand Field	2-3
2.1.1.4	Data Transfer Fields	2-3
2.1.1.5	Comment Field	2-4
2.1.2	Example Program	2-4
2.2	Assembling the Program	2-5
2.2.1	Assembler Command Format.	2-5
2.2.2	Assembler Options	2-6
2.2.3	Assembler Directives	2-8
2.2.3.1	Assembler Significant Characters.	2-8
2.2.3.2	Assembly Control	2-9
2.2.3.3	Symbol Definition.	2-9
2.2.3.4	Data Definition/Storage Allocation	2-10
2.2.3.5	Listing Control and Options	2-10
2.2.3.6	Object File Control	2-11
2.2.3.7	Macros and Conditional Assembly.	2-11
2.2.3.8	Structured Programming.	2-11
2.2.4	Assembling the Example Program	2-12
2.3	Motorola DSP Linker.	2-12
2.4	Linker Options	2-13
2.4.1	Linker Directives	2-16

2.5 Introduction to the Debugger Software 2-17
2.6 Running the Program 2-19

Chapter 3
DSP56303EVM Technical Summary

3.1 DSP56303EVM Description and Features 3-1
3.2 DSP56303 Description 3-1
3.3 Memory 3-2
3.3.1 FSRAM 3-3
3.3.1.1 FSRAM Connections 3-3
3.3.1.2 Example: Programming AAR0 3-4
3.3.2 Flash 3-6
3.3.2.1 Flash Connections 3-6
3.3.2.2 Programming for Stand-Alone Operation 3-6
3.4 Audio Codec 3-7
3.4.1 Codec Analog Input/Output 3-8
3.4.2 Codec Digital Interface 3-8
3.5 Command Converter 3-10
3.6 Off-Board Interfaces 3-12
3.6.1 Serial Communication Interface Port (SCI) 3-12
3.6.2 Enhanced Synchronous Serial Port 0 (ESSIO) 3-13
3.6.3 Enhanced Synchronous Serial Port 1 (ESSI1) 3-14
3.6.4 Host Port (HI08) 3-14
3.6.5 Expansion Bus Control 3-15
3.7 Mode Selector 3-15

Appendix A
DSP56303EVM Schematics

Appendix B
DSP56303EVM Parts List

B.1 Parts Listing B-1

Appendix C
Motorola Assembler Notes

C.1 Introduction C-1
C.2 Assembler Significant Characters C-1
C.2.1 ; Comment Delimiter Character C-1
C.2.2 ;; Unreported Comment Delimiter Characters C-2
C.2.3 \ Line Continuation or Macro Argument Concatenation Character C-2

C.2.3.1	Line Continuation	C-2
C.2.3.2	Macro Argument Concatenation.	C-2
C.2.4	? Return Value of Symbol Character	C-3
C.2.5	% Return Hex Value of Symbol Character	C-4
C.2.6	^ Macro Local Label Override	C-4
C.2.7	" Macro String Delimiter or Quoted String DEFINE Expansion Character	C-5
C.2.7.1	Macro String	C-5
C.2.7.2	Quoted String DEFINE Expansion.	C-5
C.2.8	@ Function Delimiter.	C-6
C.2.9	* Location Counter Substitution	C-6
C.2.10	++ String Concatenation Operator	C-6
C.2.11	[] Substring Delimiter [<string>,<offset><length>].	C-7
C.2.12	<< I/O Short Addressing Mode Force Operator	C-7
C.2.13	< Short Addressing Mode Force Operator	C-7
C.2.14	> Long Addressing Mode Force Operator	C-8
C.2.15	# Immediate Addressing Mode	C-9
C.2.16	#< Immediate Short Addressing Mode Force Operator.	C-9
C.2.17	#> Immediate Long Addressing Mode Force Operator	C-9
C.3	Assembler Directives.	C-10
C.3.1	BADDR Set Buffer Address	C-10
C.3.2	BSB Block Storage Bit-Reverse	C-11
C.3.3	BSC Block Storage of Constant.	C-11
C.3.4	BSM Block Storage Modulo	C-12
C.3.5	BUFFER Start Buffer.	C-12
C.3.6	COBJ Comment Object File	C-13
C.3.7	COMMENT Start Comment Lines	C-14
C.3.8	DC Define Constant.	C-14
C.3.9	DCB Define Constant Byte	C-15
C.3.10	DEFINE Define Substitution String.	C-16
C.3.11	DS Define Storage	C-17
C.3.12	DSM Define Modulo Storage	C-17
C.3.13	DSR Define Reverse Carry Storage.	C-18
C.3.14	DUP Duplicate Sequence of Source Lines.	C-18
C.3.15	DUPA Duplicate Sequence With Arguments	C-19
C.3.16	DUPC Duplicate Sequence With Characters	C-20
C.3.17	DUPF Duplicate Sequence in Loop.	C-21
C.3.18	END End of Source Program.	C-22
C.3.19	ENDBUF End Buffer.	C-23
C.3.20	ENDIF End of Conditional Assembly	C-23
C.3.21	ENDM End of Macro Definition	C-23

C.3.22	ENDSEC End Section	C-24
C.3.23	EQU Equate Symbol to a Value.	C-24
C.3.24	EXITM Exit Macro	C-25
C.3.25	FAIL Programmer Generated Error.	C-25
C.3.26	FORCE Set Operand Forcing Mode	C-26
C.3.27	GLOBAL Global Section Symbol Declaration	C-26
C.3.28	GSET Set Global Symbol to a Value.	C-26
C.3.29	HIMEM Set High Memory Bounds.	C-27
C.3.30	IDENT Object Code Identification Record	C-27
C.3.31	IF Conditional Assembly Directive	C-28
C.3.32	INCLUDE Include Secondary File	C-29
C.3.33	LIST List the Assembly	C-29
C.3.34	LOCAL Local Section Symbol Declaration	C-30
C.3.35	LOMEM Set Low Memory Bounds	C-30
C.3.36	LSTCOL Set Listing Field Widths	C-31
C.3.37	MACLIB Macro Library	C-31
C.3.38	MACRO Macro Definition	C-32
C.3.39	MODE Change Relocation Mode	C-33
C.3.40	MSG Programmer Generated Message	C-33
C.3.41	NOLIST Stop Assembly Listing	C-34
C.3.42	OPT Assembler Options	C-34
C.3.42.1	Listing Format Control.	C-35
C.3.42.2	Reporting Options.	C-35
C.3.42.3	Message Control.	C-35
C.3.42.4	Symbol Options	C-36
C.3.42.5	Assembler Operation	C-36
C.3.43	ORG Initialize Memory Space and Location Counters	C-42
C.3.44	PAGE Top of Page/Size Page	C-45
C.3.45	PMACRO Purge Macro Definition	C-45
C.3.46	PRCTL Send Control String to Printer	C-46
C.3.47	RADIX Change Input Radix for Constants	C-46
C.3.48	RDIRECT Remove Directive or Mnemonic from Table.	C-47
C.3.49	SCSJMP Set Structured Control Statement Branching Mode	C-47
C.3.50	SCSREG Reassign Structured Control Statement Registers	C-48
C.3.51	SECTION Start Section	C-48
C.3.52	SET Set Symbol to a Value	C-51
C.3.53	STITLE Initialize Program Sub-Title	C-51
C.3.54	SYMOBJ Write Symbol Information to Object File	C-51
C.3.55	TABS Set Listing Tab Stops	C-52
C.3.56	TITLE Initialize Program Title	C-52

C.3.57	UNDEF	Undefine DEFINE Symbol	C-52
C.3.58	WARN	Programmer Generated Warning	C-52
C.3.59	XDEF	External Section Symbol Definition	C-53
C.3.60	XREF	External Section Symbol Reference	C-53
C.4	Structured Control Statements		C-54
C.4.1	Structured Control Directives		C-54
C.4.2	Syntax		C-55
C.4.2.1	.BREAK	Statement	C-55
C.4.2.2	.CONTINUE	Statement	C-56
C.4.2.3	.FOR	Statement	C-56
C.4.2.4	.IF	Statement	C-57
C.4.2.5	.LOOP	Statement	C-58
C.4.2.6	.REPEAT	Statement	C-58
C.4.2.7	.WHILE	Statement	C-58
C.4.3	Simple and Compound Expressions		C-59
C.4.3.3	Operand Comparison Expressions		C-60
C.4.3.4	Compound Expressions		C-61
C.4.3.5	Statement Formatting		C-61
C.4.3.6	Expression Formatting		C-61
C.4.3.7	.FOR/.LOOP Formatting		C-62
C.4.4	Assembly Listing Format		C-62
C.4.5	Effects on the Programmer's Environment		C-62

Appendix D
Codec Programming Tutorial

D.1	Introduction		D-1
D.2	Codec Background		D-2
D.2.1	Codec Device		D-2
D.2.2	Codec Modes		D-2
D.3	ESSI Ports Background		D-3
D.4	ESSI/GPIO pins		D-4
D.5	ESSI Port Registers		D-4
D.5.1	ESSI/GPIO Shared Registers		D-4
D.5.2	ESSI Registers		D-5
D.5.3	GPIO Registers		D-5
D.5.4	GPIO Mode Port C and Port D		D-6
D.6	Digital Interface (ESSI – Codec)		D-6
D.7	Programming the CS4218 Codec		D-8
D.8	Phase 1: Setting up Constants		D-9
D.8.1	Setting Up Buffer Space and Pointers		D-9

D.8.2	Defining Control Parameters of the CODEC	D-10
D.9	Phase II: Initializing and Interfacing the ESSI and CODEC Ports	D-12
D.9.1	Initialize ESSI Ports	D-12
D.9.2	Configure GPIO Pins	D-15
D.9.3	Initialization of the CODEC ports	D-19
D.9.4	Enabling Interrupts/ESSI ports:	D-23
D.10	Phase III: Data Transferring Mechanism.	D-24
D.10.1	Interrupts and Interrupt Service Routines	D-24
D.10.2	ESSI Receive Data with Exception Status Interrupt	D-24
D.10.3	ESSI Receive Data Interrupt	D-25
D.10.4	ESSI Receive Last Slot Interrupt	D-26
D.10.5	ESSI Transmit Data with Exception Status Interrupt	D-27
D.10.6	ESSI Transmit Last Slot Interrupt	D-28
D.10.7	ESSI Transmit Data Interrupt.	D-29
D.11	Example Application	D-30
D.11.1	Echo Program.	D-31
D.11.2	Echo Code	D-31

List of Tables

2-1	Assembler Options	2-6
2-2	Linker Options	2-13
3-1	CS4218 Sampling Frequency Selection	3-7
3-2	JP5 Jumper Block Options	3-9
3-3	JP4 Jumper Block Options	3-9
3-4	On-Board JTAG Enable/Disable Option	3-11
3-5	Debug RS-232 Connector (P2) Pinout	3-11
3-6	JTAG/OnCE (J6) Connector Pinout	3-12
3-7	SCI Header (J7) Pinout	3-13
3-8	J7 Jumper Options.	3-13
3-9	DSP Serial Port (P1) Connector Pinout	3-13
3-10	ESSI0 Header (J5) Pinout	3-14
3-11	ESSI0 Header (J4) Pinout	3-14
3-12	HI08 Header (J3) Pinout	3-15
3-13	Expansion Bus Control Signal Header (J2) Pinout.	3-15
3-14	Boot Mode Selection Options.	3-16
B-1	DSP56303EVM Parts List	B-1
D-1	ESSI Pin Definition.	D-4
D-2	ESSI/GPIO Shared Registers	D-5
D-3	ESSI Registers	D-5
D-4	GPIO Registers	D-6
D-5	Pin Set-Up Descriptions	D-7
D-6	JP5 Jumper Block (ESSI0)	D-7
D-7	JP4 Jumper Block (ESSI1)	D-8
D-8	CS4218 Codec Control Information (MSB).	D-10
D-9	Settings for Control Register A.	D-13
D-10	Settings Control Register B	D-13

Freescale Semiconductor, Inc.

D-11	Port Data Register C Pin/bit Correspondence	D-16
D-12	Port Data Register D Pin/bit Correspondence	D-16
D-13	Data Direction Register C	D-18
D-14	Data Direction Register D	D-18
D-15	Codec Pins	D-20

List of Figures

1-1	DSP56303EVM Component Layout	1-4
1-2	Connecting the DSP56303EVM Cables	1-5
2-1	Development Process Flow.	2-2
2-2	Example Debugger Window Display	2-18
3-1	DSP56303EVM Component Layout	3-2
3-2	DSP56303EVM Functional Block Diagram.	3-3
3-3	FSRAM Connections to the DSP56303	3-3
3-4	Example Memory Map with the Unified External Memory.	3-5
3-5	Address Attribute Register AAR0	3-5
3-6	Flash Connections.	3-6
3-7	Codec Analog Input/Output Diagram.	3-8
3-8	Codec Digital Interface Connections	3-9
3-9	RS-232 Serial Interface.	3-11
A-1	DSP56303	A-2
A-2	External Memory	A-3
A-3	RS232 Interface	A-4
A-4	Command Converter.	A-5
A-5	Audio Codec	A-6
A-6	Power Supply	A-7
A-7	Bypass Capacitors.	A-8
D-1	Data Format of Codec.	D-3
D-2	ESSI/Codec Pin Setup.	D-8
D-3	Block Diagram of a Delayed Sample (echo)	D-31

List of Examples

2-1	Example Source Statement	2-2
2 -2	Simple DSP56303EVM Code Example	2-4
C-1	Example of Comment Delimiter	C-1
C-2	Example of Unreported Comment Delimiter	C-2
C-3	Example of Line Continuation Character	C-2
C-4	Example of Macro Concatenation.	C-3
C-5	Example of Use of Return Value Character	C-3
C-6	Example of Return Hex Value Symbol Character	C-4
C-7	Example of Local Label Override Character	C-4
C-8	Example of a Macro String Delimiter Character	C-5
C-9	Example of a Quoted String DEFINE Expression	C-6
C-10	Example of a Function Delimiter Character	C-6
C-11	Example of a Location Counter Substitution	C-6
C-12	Example of a String Concatenation Operator	C-6
C-13	Example of a Substring Delimiter.	C-7
C-14	Example of an I/O Short Addressing Mode Force Operator	C-7
C-15	Example of a Short Addressing Mode Force Operator.	C-8
C-16	Example of a Long Addressing Mode Force Operator.	C-8
C-17	Example of Immediate Addressing Mode	C-9
C-18	Example of Immediate Short Addressing Mode Force Operator	C-9
C-19	Example of an Immediate Long Addressing Mode Operator.	C-10
C-20	Example BADDR Directive	C-10
C-21	Buffer Directive	C-11
C-22	Block Storage of Constant Directive	C-12
C-23	Block Storage Modulo Directive	C-12
C-24	Buffer Directive	C-13
C-25	COBM Directive.	C-13
C-26	COMMENT Directive	C-14
C-27	Single Character String Definition	C-15

C-28	Multiple Character String Definition	C-15
C-29	DC Directive	C-15
C-30	DCB Directive	C-16
C-31	DEFINE Directive	C-16
C-32	DS Directive	C-17
C-33	DSM Directive	C-17
C-34	DSR Directive	C-18
C-35	DUP Directive	C-19
C-36	DUPA Directive	C-20
C-37	DUPC Directive	C-21
C-38	DUPF Directive	C-22
C-39	END Directive	C-23
C-40	ENDBUF Directive	C-23
C-41	ENDIF Directive	C-23
C-42	ENDM Directive	C-24
C-43	ENDSEC Directive	C-24
C-44	EQU Directive	C-25
C-45	EXITM Directive	C-25
C-46	FAIL Directive	C-26
C-47	FORCE Directive	C-26
C-48	GLOBAL Directive	C-26
C-49	GSET Directive	C-27
C-50	HIMEM Directive	C-27
C-51	IDENT Directive	C-28
C-52	IF Directive	C-29
C-53	INCLUDE Directive	C-29
C-54	LIST Directive	C-30
C-55	LOCAL Directives	C-30
C-56	LOMEM Directive	C-31
C-57	LSTCOL Directive	C-31
C-58	MACLIB Directive	C-32
C-59	MACRO Directive	C-33

C-60	MODE Directive	C-33
C-61	MSG Directive	C-33
C-62	NOLIST Directive	C-34
C-63	OPT Directive	C-41
C-64	ORG Directive	C-43
C-65	PAGE Directive	C-45
C-66	PMACRO Directive	C-46
C-67	PRCTL Directive	C-46
C-68	RADIX Directive	C-47
C-69	RDIRECT Directive	C-47
C-70	SCSJMP Directive	C-48
C-71	SCSREG Directive	C-48
C-72	SECTION Directive	C-51
C-73	SET Directive	C-51
C-74	STITLE Directive	C-51
C-75	SYMOBJ	C-52
C-76	TABS Directive	C-52
C-77	TITLE Directive	C-52
C-78	UNDEF Directive	C-52
C-79	WARN Directive	C-53
C-80	XDEF Directive	C-53
C-81	XREF Directive	C-54
C-82	.BREAK Statement	C-56
C-83	.CONTINUE Statement	C-56
C-84	.FOR Statement	C-57
C-85	.IF Statement	C-57
C-86	.LOOP Statement	C-58
C-87	.REPEAT Statement	C-58
C-88	.WHILE Statement	C-59
C-89	Condition Code Expression	C-60
D-1	Setting Up Transmit and Receive Buffers and Pointers	D-9
D-2	Setting Codec Control Information	D-11

D-3	ESSI Port Reset Procedure	D-12
D-4	Setting Control Registers for the ESSIO Port	D-15
D-5	Defining GPIO Pin/Bin Correspondence	D-17
D-6	GPIO Pin Configuration	D-17
D-7	Code Form Settings in Data Direction Registers	D-19
D-8	Code Format Procedures	D-19
D-9	Deasserting Code Reset	D-19
D-10	Sending Code Information	D-21
D-11	Sending in Control Words	D-22
D-12	ESSI Port Priority and Functionality Setting	D-24
D-13	ESSI Exception Status Interrupt Service	D-25
D-14	ESSI Receive Data Interrupt Service	D-26
D-15	ESSI Receive Last Slot Interrupt Service.	D-27
D-16	ESSI Transmit Data with Exception Status Interrupt Service	D-28
D-17	ESSI Transmit Last Slot Interrupt Service	D-29
D-18	ESSI Transmit Data Interrupt Service	D-30
D-19	Include, Define, and Set-Up Tasks.	D-32
D-20	DSP Initialization Procedure	D-33
D-21	Initializing CODEC/ESSI.	D-33
D-22	Setting Up and Initializing Buffer	D-33
D-23	Implementation of Echo Program.	D-34
D-24	Application of Echo Code	D-35

Chapter 1

Quick Start Guide

This section summarizes the evaluation module contents and additional requirements and also provides quick installation and test information. The remaining sections of this manual give details on the DSP56303EVM design and operation.

1.1 Equipment

The following subsections list the equipment required to use the DSP56303 evaluation module (DSP56303EVM), some of which is supplied with the module, and some of which must be supplied by the user.

1.1.1 What You Get with the DSP56303EVM

The following material comes with the DSP56303EVM:

- DSP56303 Evaluation Module board
- *DSP56303EVM Product Brief*
- *DSP56303EVM User's Manual* (this document)
- *DSP56303 Product Specifications*, Revision 1.03
- DSP56303 Chip Errata
- Crystal Semiconductor CS4218 16-bit Multimedia Audio Codec Data Sheet
- Technical Documentation CD-ROM including the following documents:
 - *DSP56300 Family Manual*
 - *DSP56303 User's Manual*
 - *DSP56303 Technical Data Sheet*
- The required software:
 - GUI Debugger from Domain Technologies (1 CD)
 - Assembler/linker software from Motorola (1 CD)

1.1.2 What You Need to Supply

The user must provide the following:

- PC (Pentium-90MHz or higher) with
 - Windows95 or NT4
 - Minimum of 16Mbytes of memory with Windows95
 - Minimum of 32Mbytes of memory with Windows NT
 - 3½-inch high density diskette drive
 - CD-ROM drive
 - Hard drive with 20 Mbytes of free disk space
 - Mouse
 - RS-232 serial port supporting 9,600–115,200 bit-per-second transfer rates
- RS-232 interface cable (DB9 plug to DB9 female)
- Power supply, 7–9 V AC or DC input into a 2.1-mm power connector
- Audio source (tape player, radio, CD player, etc.)
- Audio interface cable with 1/8-inch stereo plugs
- Headphones

1.2 Installation Procedure

Installation requires the following four basic steps:

1. Preparing the DSP56303EVM board
2. Connecting the board to the PC and power
3. Installing the software
4. Testing the installation

1.2.1 Preparing the DSP56303EVM

Warning

Because all electronic components are sensitive to the effects of electrostatic discharge (ESD) damage, correct procedures should be used when handling all components in this kit and inside the supporting personal computer. Use the following procedures to minimize the likelihood of damage due to ESD:

Always handle all static-sensitive components only in a protected area, preferably a lab with conductive (antistatic) flooring and bench surfaces.

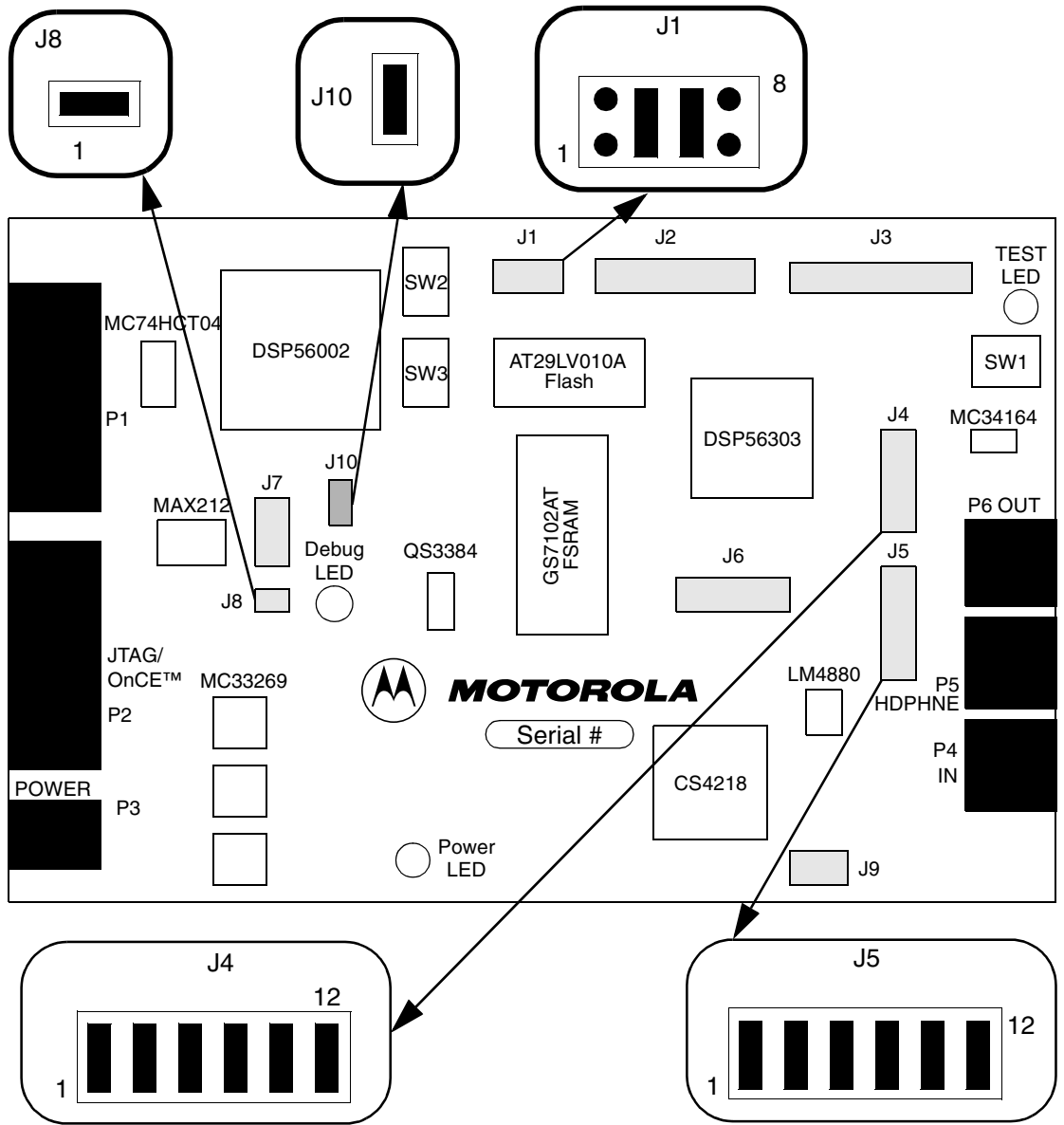
Always use grounded wrist straps when handling sensitive components.

Do not remove components from antistatic packaging until required for installation.

Always transport sensitive components in antistatic packaging.

Locate jumper blocks J1, J4, J5, and J8, as shown in Figure 1-1. For block J1, make sure that there are jumpers connecting pins 3 and 4 and pins 5 and 6. For blocks J4, J5, and J8 make sure that all positions on each block are jumpered. These jumpers perform the following functions:

- J1 controls the operating mode of the DSP56303.
- J4 and J5 control the interface between the audio codec and the DSP56303 enhanced synchronous serial interface (ESSIO).
- J8 controls the interface between the DSP56303 JTAG/OnCE™ port and DSP56002 synchronous serial interface (SSI).

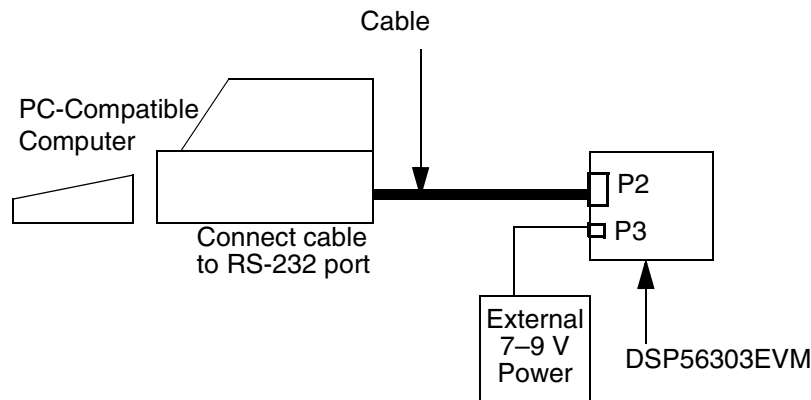


AA1925

Figure 1-1. DSP56303EVM Component Layout

1.2.2 Connecting the DSP56303EVM to the PC and Power

Figure 1-2 shows the interconnection diagram for connecting the PC and the external power supply to the DSP56303EVM board.



AA1926

Figure 1-2. Connecting the DSP56303EVM Cables

Use the following steps to complete cable connections:

1. Connect the DB9P end of the RS-232 interface cable to the RS-232 port connection on the PC.
2. Connect the DB9S end of the cable to P2, shown in Figure 1-1, on the DSP56303EVM board. This provides the connection to allow the PC to control the board function.
3. Make sure the external 7–9 V power supply *is not* supplied with power.
4. Connect the 2.1-mm output power plug into P3, shown in Figure 1-1, on the DSP56303EVM board.
5. Apply power to the power supply. The green power LED lights up when power is correctly applied.

Chapter 2

Example Test Program

This section contains an example that illustrates how to develop a very simple program for the DSP56303. This example is for users with little or no experience with the DSP development tools. The example demonstrates the form of assembly programs, gives instructions on how to assemble programs, and shows how the Debugger can verify the operation of programs.

Figure 2-1 shows the development process flow for assembly programs. The rounded blocks represent the assembly and object files. The white blocks represent software programs to assemble and link the assemble programs. The gray blocks represent hardware products.

The following sections give basic information on the assembly program, the assembler, the linker and the object files. For detailed information on these subjects, consult the assembler and linker manuals provided with the Motorola DSP CLAS software package, available through your Motorola sales office or distributor. The documentation is also available through the Motorola Wireless internet, URL <http://www.mot.com/SPS/DSP/documentation>.

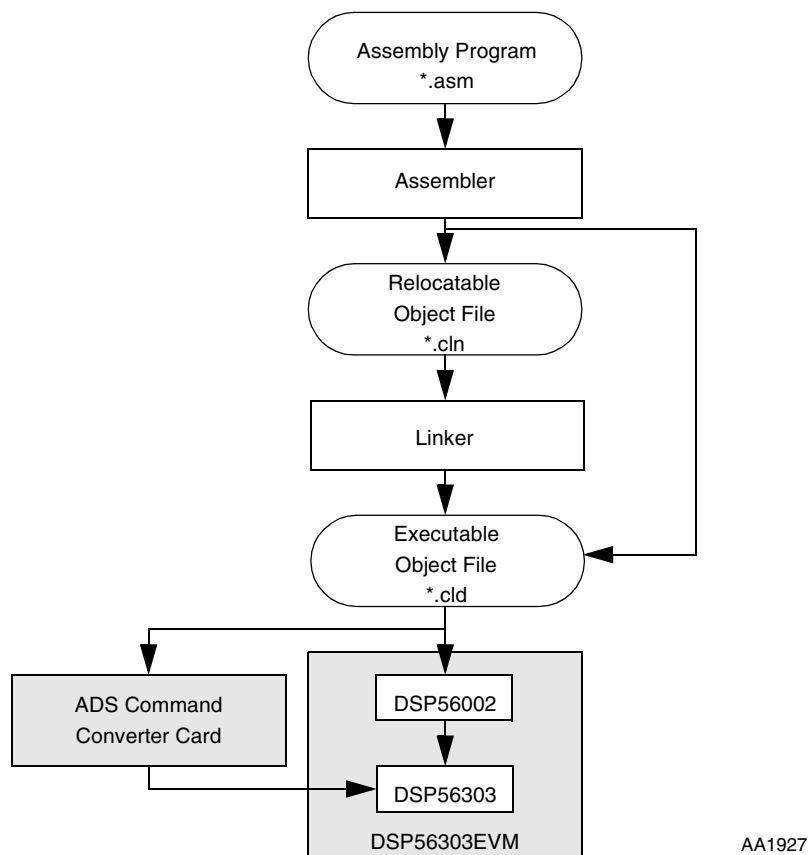


Figure 2-1. Development Process Flow

2.1 Writing the Program

The following sections describe the format of assembly language source statements and give an example assembly program.

2.1.1 Source Statement Format

Programs written in assembly language consist of a sequence of source statements. Each source statement may include up to six fields separated by one or more spaces or tabs: a label field, an operation field, an operand field, up to two data transfer fields, and a comment field. For example, the following source statement shows all six possible fields:

Example 2-1. Example Source Statement

trm	mac	x0, y0, a	x: (r0)+, x0	y: (r4)+, y0	;Text
↑	↑	↑	↑	↑	↑
Label	Operation	Operand	X Data Transfer	Y Data Transfer	Comment

2.1.1.1 Label Field

The label field is the first field of a source statement and can take one of the following forms:

- A space or tab as the first character on a line ordinarily indicates that the label field is empty and that the line has no label.
- An alphabetic character as the first character indicates that the line contains a symbol called a label.
- An underscore as the first character indicates that the label is local.

With the exception of some directives, a label is assigned the value of the location counter of the first word of the instruction or data being assembled. A line consisting of only a label is a valid line and assigns the value of the location counter to the label.

2.1.1.2 Operation Field

The operation field appears after the label field and must be preceded by at least one space or tab. Entries in the operation field may be one of three types:

- **Opcode**—mnemonics that correspond directly to DSP machine instructions
- **Directive**—special operation codes known to the assembler that control the assembly process
- **Macro call**—invocation of a previously defined macro that is to be inserted in place of the macro call

2.1.1.3 Operand Field

The interpretation of the operand field depends on the contents of the operation field. The operand field, if present, must follow the operation field and must be preceded by at least one space or tab.

2.1.1.4 Data Transfer Fields

Most opcodes specify one or more data transfers to occur during the execution of the instruction. These data transfers are indicated by two addressing mode operands separated by a comma, with no embedded blanks. If two data transfers are specified, they must be separated by one or more blanks or tabs. Refer to the *DSP56300 Family Manual* for a complete discussion of addressing modes that are applicable to data transfer specifications.

2.1.1.5 Comment Field

Comments are not considered significant to the assembler but can be included in the source file for documentation purposes. A comment field is composed of any characters that are preceded by a semicolon.

2.1.2 Example Program

The example program discussed in this section takes two lists of data, one in X memory and one in Y memory, and calculates the sum of the products of the two lists. Calculating the sum of products is the basis for many DSP functions. Therefore, the DSP56303 has a special instruction, “multiplier-accumulate (MAC)s”, which multiplies two values and adds the result to the contents of an accumulator.

Example 2 -2. Simple DSP56303EVM Code Example

```

;*****
;A SIMPLE PROGRAM: CALCULATING THE SUM OF PRODUCTS
;*****
PBASE    EQU    $100    ;instruct the assembler to replace
                    ;every occurrence of PBASE with $100
XBASE    EQU    $0      ;used to define the position of the
                    ;data in X memory
YBASE    EQU    $0      ;used to define the position of the
                    ;data in Y memory
;*****
;X MEMORY
;*****
        org      x:XBASE    ;instructs the assembler that we
                    ;are referring to X memory starting
                    ;at location XBASE
list1    dc      $475638,$738301,$92673a,$898978,$091271,$f25067
        dc      $987153,$3A8761,$987237,$34b852,$734623,$233763
        dc      $f76756,$423423,$324732,$f40029
;*****
;Y MEMORY
;*****
        org      y:YBASE    ;instructs the assembler that we
                    ;are referring to Y memory starting
                    ;at location YBASE
list2    dc      $f98734,$800000,$fedcba,$487327,$957572,$369856
        dc      $247978,$8a3407,$734546,$344787,$938482,$304f82
        dc      $123456,$657784,$567123,$675634
;*****
;PROGRAM
;*****
        org      p:0        ;put following program in program
                    ;memory starting at location 0

```

Example 2-1. Simple DSP56303EVM Code Example (Continued)

```

begin
  jmp      begin      ;p:0 is the reset vector i.e. where
                    ;the DSP looks for instructions
                    ;after a reset
  org      p:PBASE    ;start the main program at p:PBASE

  move     #list1,r0  ;set up pointer to start of list1
  move     #list2,r4  ;set up pointer to start of list2
  clr      a          ;clear accumulator a
  move     x:(r0)+,x0 y:(r4)+,y0
                    ;load the value of X memory pointed
                    ;to by the contents of r0 into x0 and
                    ;post-increment r0
                    ;load the value of Y memory pointed
                    ;to by the contents of r4 into y0 and
                    ;post-increment r4
  do       #15,endloop;do 15 times
  mac      x0,y0,a    x:(r0)+,x0 y:(r4)+,y0
                    ;multiply and accumulate, and load
                    ;next values
endloop   jmp      *  ;this is equivalent to
                    ;label jmp label
                    ;and is therefore a never-ending,
                    ;empty loop

;*****
;END OF THE SIMPLE PROGRAM
;*****

```

2.2 Assembling the Program

The following sections describe the format of the assembler command, list the assembler special characters and directives, and give instructions to assemble the example program.

2.2.1 Assembler Command Format

The Motorola DSP assembler is included with the DSP56303EVM on the Motorola Tools CD and can be installed by following the instructions in the “Read Me” file on the CD. The Motorola DSP assembler is a program that translates assembly language source statements into object programs compatible with the DSP56303. The general format of the command line to invoke the assembler is

asm56300 [*options*] <*filenames*>

where *asm56300* is the name of the Motorola DSP assembler program, and <*filenames*> is a list of the assembly language programs to be assembled.

2.2.2 Assembler Options

Table 2-1 describes the assembler options. To avoid ambiguity, the option arguments should immediately follow the option letter with no blanks between them.

Table 2-1. Assembler Options

Option	Description
-A	Puts the assembler into absolute mode and generates an absolute object file when the -B command line option is given. By default, the assembler produces a relocatable object file that is subsequently processed by the Motorola DSP linker.
-B<objfil>	<p>Specifies that an object file is to be created for assembler output. <objfil> can be any legal operating system filename, including an optional pathname. The type of object file depends on the assembler operation mode. If the -A option is supplied on the command line, the assembler operates in absolute mode and generates an absolute object (.cld) file. If there is no -A option, the assembler operates in relative mode and creates a relocatable object (.cln) file. If the -B option is not specified, the assembler does not generate an object file. If no <objfil> is specified, the assembler uses the basename (filename without extension) of the first filename encountered in the source input file list and appends the appropriate file type (.cln or.cld) to the basename. The -B option should be specified only once.</p> <p>Example: <i>asm56300 -Bfilter main.asm fft.asm fio.asm</i></p> <p>This example assembles the files main.asm, fft.asm, and fio.asm together to produce the relocatable object file filter.cln.</p>
-D <symbol> <string>	<p>Replaces all occurrences of <symbol> with <string> in the source files to be assembled.</p> <p>Example: <i>asm56300 -DPOINTS 16 prog.asm</i></p> <p>Replaces all occurrences of the symbol POINTS in the program prog.asm by the string '16'.</p>
-EA<errfil> or -EW<errfil>	<p>Allows the standard error output file to be reassigned on hosts that do not support error output redirection from the command line. <errfil> must be present as an argument but can be any legal operating system filename, including an optional pathname. The -EA option causes the standard error stream to be written to <errfil>; if <errfil> exists, the output stream is appended to the end of the file. The -EW option also writes the standard error stream to <errfil>; if <errfil> exists, it is overwritten.</p> <p>Example: <i>asm56300 -EWerrors prog.asm</i></p> <p>Redirects the standard output to the file errors. If the file already exists, it is overwritten.</p>
-F<argfil>	<p>Indicates that the assembler should read command line input from <argfil>, which can be any legal operation system filename, including an optional pathname. <argfil> is a text file containing further options, arguments, and filenames to be passed to the assembler. The arguments in the file need to be separated only by white space. A semicolon on a line following white space makes the rest of the line a comment.</p> <p>Example: <i>asm56300 -Fopts.cmd</i></p> <p>Invokes the assembler and takes the command line options and source filenames from the command file opts.cmd.</p>

Table 2-1. Assembler Options (Continued)

Option	Description
-G	<p>Sends the source file line number information to the object file. This option is valid only in conjunction with the -B command line option. Debuggers can use the generated line number information to provide source-level debugging.</p> <p>Example: <i>asm56300 -B -Gmyprog.asm</i></p> <p>Assembles the file myprog.asm and sends the source file line number information to the resulting object file myprog.cln.</p>
-I<pathname>	<p>Causes the assembler to look in the directory defined by <pathname> for any include file not found in the current directory. <pathname> can be any legal operating system pathname.</p> <p>Example: <i>asm56300 -I\project\ testprog</i></p> <p>Uses IBM PC pathname conventions and causes the assembler to prefix any include files not found in the current directory with the \project\ pathname.</p>
-L<lstfil>	<p>Specifies that a listing file is to be created for assembler output. <lstfil> can be any legal operating system filename, including an optional pathname. If no <lstfil> is specified, the assembler uses the basename (filename without extension) of the first filename encountered in the source input file list and appends .lst to the basename. The -L option is specified only once.</p> <p>Example: <i>asm56300 -L filter.asm gauss.asm</i></p> <p>Assembles the files filter.asm and gauss.asm together to produce a listing file. Because no filename is given, the output file is named using the basename of the first source file, in this case filter, and the listing file is called filter.lst.</p>
-M<pathname>	<p>Causes the assembler to look in the directory defined by <pathname> for any macro file not found in the current directory. <pathname> can be any legal operating system pathname.</p> <p>Example: <i>asm56300 -Mftlib\ trans.asm</i></p> <p>Uses IBM PC pathname conventions and causes the assembler to look in the ftlib subdirectory of the current directory for a file with the name of the currently invoked macro found in the source file, trans.asm.</p>
-V	<p>Causes the assembler to report assembly progress to the standard error output stream.</p>
-Z	<p>Causes the assembler to strip symbol information from the absolute load file. Normally symbol information is retained in the object file for symbolic references purposes. This option is valid only with the -A and -B options.</p> <p>Note: Multiple options can be used. A typical string might be as follows:</p> <p>Example: <i>asm56300 -A -B -L -G filename.asm</i></p>

2.2.3 Assembler Directives

In addition to the DSP56303 instruction set, the assembly programs can contain mnemonic directives that specify auxiliary actions to be performed by the assembler. These are the assembler directives. These directives are not always translated into machine language. The following sections briefly describe the various types of assembler directives.

2.2.3.1 Assembler Significant Characters

The following one-and two-character sequences are significant to the assembler:

- ; Comment delimiter
- ;; Unreported comment delimiter
- \ Line continuation character or macro dummy argument concatenation operator
- ? Macro value substitution operator
- % Macro hex value substitution operator
- ^ Macro local label override operator
- “ Macro string delimiter or quoted string DEFINE expansion character
- @ Function delimiter
- * Location counter substitution
- ++ String concatenation operator
- [] Substring delimiter
- << I/O short addressing mode force operator
- < Short addressing mode force operator
- > Long addressing mode force operator
- # Immediate addressing mode operator
- #< Immediate short addressing mode force operator
- #> Immediate long addressing mode force operator

2.2.3.2 Assembly Control

The directives used for assembly control are as follows:

COMMENT	Start comment lines
DEFINE	Define substitution string
END	End of source program
FAIL	Programmer-generated error message
FORCE	Set operand forcing mode
HIMEM	Set high memory bounds
INCLUDE	Include secondary file
LOMEM	Set low memory bounds
MODE	Change relocation mode
MSG	Programmer-generated message
ORG	Initialize memory space and location counters
RADIX	Change input radix for constants
RDIRECT	Remove directive or mnemonic from table
SCSJMP	Set structured control branching mode
SCSREG	Reassign structured control statement registers
UNDEF	Undefine DEFINE symbol
WARN	Programmer-generated warning

2.2.3.3 Symbol Definition

The directives used to control symbol definition are as follows:

ENDSEC	End section
EQU	Equate symbol to a value
GLOBAL	Global section symbol declaration
GSET	Set global symbol to a value
LOCAL	Local section symbol declaration
SECTION	Start section
SET	Set symbol to a value
XDEF	External section symbol definition
XREF	External section symbol reference

2.2.3.4 Data Definition/Storage Allocation

The directives to control constant data definition and storage allocation are as follows:

BADDR	Set buffer address
BSB	Block storage bit-reverse
BSC	Block storage of constant
BSM	Block storage modulo
BUFFER	Start buffer
DC	Define constant
DCB	Define constant byte
DS	Define storage
DSM	Define modulo storage
DSR	Define reverse carry storage
ENDBUF	End buffer

2.2.3.5 Listing Control and Options

The directives to control the output listing are as follows:

LIST	List the assembly
LSTCOL	Set listing field widths
NOLIST	Stop assembly listing
OPT	Assembler options
PAGE	Top of page/size page
PRCTL	Send control string to printer
STITLE	Initialize program subtitle
TABS	Set listing tab stops
TITLE	Initialize program title

2.2.3.6 Object File Control

The directives for control of the object file are as follows:

COBJ	Comment object code
IDENT	Object code identification record
SYMOBJ	Write symbol information to object file

2.2.3.7 Macros and Conditional Assembly

The directives for macros and conditional assembly are as follows:

DUP	Duplicate sequence of source lines
DUPA	Duplicate sequence with arguments
DUPC	Duplicate sequence with characters
DUPF	Duplicate sequence in loop
ENDIF	End of conditional assembly
ENDM	End of macro definition
EXITM	Exit macro
IF	Conditional assembly directive
MACLIB	Macro library
MACRO	Macro definition
PMACRO	Purge macro definition

2.2.3.8 Structured Programming

The directives for structured programming are as follows:

.BREAK	Exit from structured loop construct
.CONTINUE	Continue next iteration of structured loop
.ELSE	Perform following statements when .IF false
.ENDF	End of .FOR loop
.ENDI	End of .IF condition
.ENDL	End of hardware loop
.ENDW	End of .WHILE loop
.FOR	Begin .FOR loop
.IF	Begin .IF condition

.LOOP	Begin hardware loop
.REPEAT	Begin .REPEAT loop
.UNTIL	End of .REPEAT loop
.WHILE	Begin .WHILE loop

2.2.4 Assembling the Example Program

The assembler is an MS-DOS based program; thus, to use the assembler you must exit Windows or open an MS-DOS Prompt Window. To assemble the example program, type *asm56300 -a -b -l -g example.asm* into the evm30xw directory created by the installation process from Section 2.2.1, "Assembler Command Format," on page 2-5. This creates two additional files: example.cld and example.lst. The example.cld file is the absolute object file of the program; it is downloaded into the DSP56303. The example.lst file is the listing file; it gives full details of where the program and data are placed in the DSP56303 memory.

2.3 Motorola DSP Linker

Though not needed for our simple example, the Motorola DSP linker is also included with the DSP56303EVM. The Motorola DSP linker is a program that processes relocatable object files produced by the Motorola DSP assembler, generating an absolute executable file which can be downloaded to the DSP56303. The Motorola DSP linker is included on the Motorola Tools CD and can be installed by following the instructions in Section 2.2.1, "Assembler Command Format," on page 2-5. The general format of the command line to invoke the linker is

dsplnk [options] <filenames>

where *dsplnk* is the name of the Motorola DSP linker program, and *<filenames>* is a list of the relocatable object files to be linked.

2.4 Linker Options

Table 2-2 describes the linker options. To avoid ambiguity, the option arguments should immediately follow the option letter with no blanks between them.

Table 2-2. Linker Options

Option	Description
<p>-A</p>	<p>Auto-aligns circular buffers. Any modulo or reverse-carry buffers defined in the object file input sections are relocated independently in order to optimize placement in memory. Code and data surrounding the buffer are packed to fill the space formerly occupied by the buffer and any corresponding alignment gaps.</p> <p>Example: <i>dsplnk -A myprog.cln</i></p> <p>Links the file myprog.cln and optimally aligns any buffers encountered in the input.</p>
<p>-B<objfil></p>	<p>Specifies that an object file is to be created for linker output. <objfil> can be any legal operating system filename, including an optional pathname. If no filename is specified, or if the -B option is not present, the linker uses the basename (filename without extension) of the first filename encountered in the input file list and appends .cld to the basename. If the -I option is present (see below), an explicit filename must be given because if the linker follows the default action, it can overwrite one of the input files. The -B option is specified only once. If the file named in the -B option already exists, it is overwritten.</p> <p>Example: <i>dsplnk -Bfilter.cld main.cln fft.cln fio.cln</i></p> <p>Links the files main.cln, fft.cln, and fio.cln together to produce the absolute executable file filter.cld.</p>
<p>-EA<errfil> or -EW<errfil></p>	<p>Allows the standard error output file to be reassigned on hosts that do not support error output redirection from the command line. <errfil> must be present as an argument, but it can be any legal operating system filename, including an optional pathname. The -EA option causes the standard error stream to be written to <errfil>; if <errfil> exists, the output stream is appended to the end of the file. The -EW option also writes the standard error stream to <errfil>; if <errfil> exists it is overwritten.</p> <p>Example: <i>dsplnk -EWerrors myprog.cln</i></p> <p>Redirects the standard error output to the file errors. If the file already exists, it is overwritten.</p>
<p>-F<argfil></p>	<p>Indicates that the linker should read command line input from <argfil>, which can be any legal operating system filename, including an optional pathname. <argfil> is a text file containing further options, arguments, and filenames to be passed to the linker. The arguments in the file need be separated only by white space. A semicolon on a line following white space makes the rest of the line a comment.</p> <p>Example: <i>dsplnk -Fopts.cmd</i></p> <p>This example invokes the linker and takes command line options and input filenames from the command file opts.cmd.</p>

Table 2-2. Linker Options (Continued)

Option	Description
-G	<p>Sends source file line number information to the object file. The generated line number information can be used by debuggers to provide source-level debugging.</p> <p>Example: <i>dsplnk -B -Gmyprog.cln</i></p> <p>Links the file myprog.cln and sends source file line number information to the resulting object file myprog.cld.</p>
-I	<p>The linker ordinarily produces an absolute executable file as output. When the -I option is given, the linker combines the input files into a single relocatable object file suitable for reprocessing by the linker. No absolute addresses are assigned and no errors are issued for unresolved external references. Note that the -B option must be used when performing incremental linking in order to give an explicit name to the output file. If the filename is allowed to default, it can overwrite an input file.</p> <p>Example: <i>dsplnk -I -Bfilter.cln main.cln fft.cln fio.cln</i></p> <p>Combines the files main.cln, fft.cln, and fio.cln to produce the relocatable object file filter.cln.</p>
-L<library>	<p>The linker ordinarily processes a list of input files that each contain a single relocatable code module. Upon encountering the -L option, the linker treats the following argument as a library file and searches the file for any outstanding unresolved references. If it finds a module in the library that resolves an outstanding external reference, it reads the module from the library and includes it in the object file output. The linker continues to search a library until all external references are resolved or no more references can be satisfied within the current library. The linker searches a library only once, so the position of the -L option on the command line is significant.</p> <p>Example: <i>dsplnk -B filter main fir -Lio</i></p> <p>Illustrates linking with a library. The files main.cln and fir.cln are combined with any needed modules in the library io.lib to create the file filter.cld.</p>
-M<mapfil>	<p>Indicates that a map file is to be created. <mapfil> can be any legal operating system filename, including an optional pathname. If no filename is specified, the linker uses the basename (filename without extension) of the first filename encountered in the input file list and append .map to the basename. If the -M option is not specified, then the linker does not generate a map file. The -M option is specified only once. If the file named in the -M option already exists, it is overwritten.</p> <p>Example: <i>dsplnk -M filter.cln gauss.cln</i></p> <p>Links the files filter.cln and gauss.cln to produce a map file. Because no filename is given with the -M option, the output file is named using the basename of the first input file, in this case filter. The map file is called filter.map.</p>
-N	<p>For the linker the case of symbol names is significant. When the -N option is given the linker ignores case in symbol names; all symbols are mapped to lower case.</p> <p>Example: <i>dsplnk -N filter.cln fft.cln fio.cln</i></p> <p>Links the files filter.cln, fft.cln, and fio.cln to produce the absolute executable file filetr.cld; Maps all symbol references to lower case.</p>

Table 2-2. Linker Options (Continued)

Option	Description
-O<mem>[<ctr>][<map>]:<origin>	<p>By default, the linker generates instructions and data for the output file beginning at absolute location zero for all DSP memory spaces. This option allows the programmer to redefine the start address for any memory space and associated location counter. <mem> is one of the single-character memory space identifiers (X, Y, L, P). The letter can be upper-or lowercase. The optional <ctr> is a letter indicating the high (H) or low (L) location counters. If no counter is specified the default counter is used. <map> is also optional and signifies the desired physical mapping for all relocatable code in the given memory space. It can be I for internal memory, E for external memory, R for ROM, A for Port A, and B for Port B. If <map> is not supplied, then no explicit mapping is presumed. The <origin> is a hexadecimal number signifying the new relocation address for the given memory space. The -O option can be specified as many times as needed on the command line. This option has no effect if incremental linking is being done. (See the -I option.)</p> <p>Example: <i>dsplnk -Ope:200 myprog -Lmylib</i></p> <p>Initializes the default P memory counter to hex 200 and maps the program space to external memory.</p>
-P<pathname>	<p>When the linker encounters input files, it first searches the current directory (or the directory given in the library specification) for the file. If it is not found and the -P option is specified, the linker prefixes the filename (and optional pathname) of the file specification with <pathname> and searches the newly formed directory pathname for the file. The pathname must be a legal operating system pathname. The -P option can be repeated as many times as desired.</p> <p>Example: <i>dsplnk -P\project\ testprog</i></p> <p>Uses IBM PC pathname conventions and causes the linker to prefix any library files not found in the current directory with the \project\ pathname.</p>
-R<ctfil>	<p>Indicates that a memory control file is to be read to determine the placement of sections into DSP memory and other linker control functions. <ctfil> can be any legal operating system filename, including an optional pathname. If a pathname is not specified, an attempt is made to open the file in the current directory. If no filename is specified, the linker uses the basename (filename without extension) of the first filename encountered in the link input file list and append .ctl to the basename. If the -R option is not specified, then the linker does not use a memory control file. The -R option is specified only once.</p> <p>Example: <i>dsplnk -Rproj filter.cln gauss.cln</i></p> <p>Links the files filter.cln and gauss.cln using the memory file proj.ctl.</p>
-U<symbol>	<p>Allows the declaration of an unresolved reference from the command line. <symbol> must be specified. This option is useful for creating an undefined external reference in order to force linking entirely from a library.</p> <p>Example: <i>dsplnk -Ustart -Lproj.lib</i></p> <p>Declares the symbol start undefined so that it is resolved by code within the library proj.lib.</p>
-V	<p>Causes the linker to report linking progress (beginning of passes, opening and closing of input files) to the standard error output stream. This is useful to ensure that link editing is proceeding normally.</p> <p>Example: <i>dsplnk -V myprog.cln</i></p> <p>Links the file myprog.cln and sends progress lines to the standard error output.</p>

Table 2-2. Linker Options (Continued)

Option	Description																						
<p>-X<opt>[,<opt>,...,<opt>]</p>	<p>Provides for link time options that alter the standard operation of the linker. The options are described below. All options can be preceded by "NO" to reverse their meaning. The -X<opt> sequence can be repeated for as many options as desired.</p> <table border="0"> <thead> <tr> <th data-bbox="461 401 558 432">Option</th> <th data-bbox="602 401 727 432">Meaning</th> </tr> </thead> <tbody> <tr> <td data-bbox="461 457 521 483">ABC*</td> <td data-bbox="602 457 967 483">Perform address bounds checking</td> </tr> <tr> <td data-bbox="461 485 521 510">AEC*</td> <td data-bbox="602 485 980 510">Check form of address expressions</td> </tr> <tr> <td data-bbox="461 512 505 537">ASC</td> <td data-bbox="602 512 1045 537">Enable absolute section bounds checking</td> </tr> <tr> <td data-bbox="461 539 505 564">CSL</td> <td data-bbox="602 539 915 564">Cumulate section length data</td> </tr> <tr> <td data-bbox="461 567 505 592">ESO</td> <td data-bbox="602 567 1109 592">Do not allocate memory below ordered sections</td> </tr> <tr> <td data-bbox="461 594 526 619">OVL</td> <td data-bbox="602 594 862 619">Warn on section overlap</td> </tr> <tr> <td data-bbox="461 621 488 646">RO</td> <td data-bbox="602 621 821 646">Allow region overlap</td> </tr> <tr> <td data-bbox="461 648 521 674">RSC*</td> <td data-bbox="602 648 1029 674">Enable relative section bounds checking</td> </tr> <tr> <td data-bbox="461 676 505 701">SVO</td> <td data-bbox="602 676 911 701">Preserve object file on errors</td> </tr> <tr> <td data-bbox="461 703 505 728">WEX</td> <td data-bbox="602 703 943 728">Add warning count to exit status</td> </tr> </tbody> </table> <p>(* means default)</p> <p>Example: <i>dsplnk -XWEX filter.cln fft.cln fio.cln</i></p> <p>Allows the linker to add the warning count to the exit status so that a project build aborts on warnings as well as errors.</p>	Option	Meaning	ABC*	Perform address bounds checking	AEC*	Check form of address expressions	ASC	Enable absolute section bounds checking	CSL	Cumulate section length data	ESO	Do not allocate memory below ordered sections	OVL	Warn on section overlap	RO	Allow region overlap	RSC*	Enable relative section bounds checking	SVO	Preserve object file on errors	WEX	Add warning count to exit status
Option	Meaning																						
ABC*	Perform address bounds checking																						
AEC*	Check form of address expressions																						
ASC	Enable absolute section bounds checking																						
CSL	Cumulate section length data																						
ESO	Do not allocate memory below ordered sections																						
OVL	Warn on section overlap																						
RO	Allow region overlap																						
RSC*	Enable relative section bounds checking																						
SVO	Preserve object file on errors																						
WEX	Add warning count to exit status																						
<p>-Z</p>	<p>Allows the linker to strip source file line number and symbol information from the output file. Symbol information normally is retained for debugging purposes. This option has no effect if incremental linking is being done. (See the -I option.)</p> <p>Example: <i>dsplnk -Zfilter.cln fft.cln fio.cln</i></p> <p>Links the files filter.cln, fft.cln, and fio.cln to produce the absolute object file filter.cln. The output file contains no symbol or line number information.</p>																						

2.4.1 Linker Directives

Similar to the assembler directives, the linker includes mnemonic directives which specify auxiliary actions to be performed by the linker. Following is a list of the linker directives.

- BALIGN** Auto-align circular buffers
- BASE** Set region base address
- IDENT** Object module identification
- INCLUDE** Include directive file
- MAP** Map file format control
- MEMORY** Set region high memory address
- REGION** Establish memory region
- RESERVE** Reserve memory block
- SBALIGN** Auto-align section buffers

SECSIZE	Pad section length
SECTION	Set section base address
SET	Set symbol value
SIZSYM	Set size symbol
START	Establish start address
SYMBOL	Set symbol value

2.5 Introduction to the Debugger Software

This section briefly introduces the Domain Technologies debugger, giving only the details required to work through this example. For full details on the Debugger and an informative tutorial, consult the *Debug-56K Manual*. The Domain Technologies Debugger is a software development system for the DSP56303. The Domain Technologies Debugger is included with the DSP56303EVM on the Domain Technologies CD-ROM, and can be installed following the on-line instructions. If you are running Windows95 or WindowsNT, the software installer will be launched automatically when you insert the CD into your drive. To invoke the Debugger, double-click on the icon labelled *evm30xw* in the EVM5630x program group created when the Debugger was installed.

The Debugger display is similar to that shown in Figure 2-2; the screen is divided into four windows—the command window, the data window, the unassembled window, and the registers window. The command window is the window selected, which means that key strokes are placed into the command window. The data window displays DSP56303 data. The unassembled window displays the DSP56303 programs highlighting the next instruction to be executed. The registers window shows the contents of the DSP56303 internal registers.

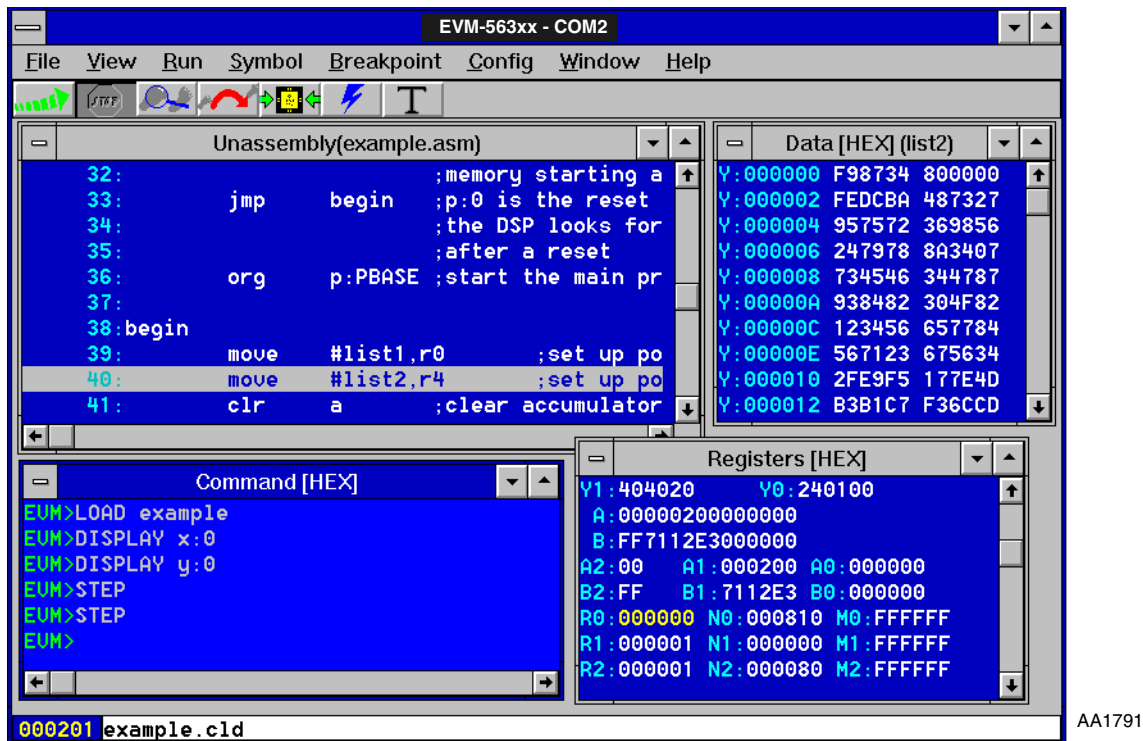


Figure 2-2. Example Debugger Window Display

When the command window is selected as in Figure 2-2, the tool-bar at the top of the screen will change and show buttons for the commands used most often in the command window. From left to right the commands are “go”, “stop”, “step”, “jump”, “automatic update”, “reset” and “radix”.

- “Go” runs the DSP56303 from the program counter.
- “Stop” stops the DSP56303.
- “Step” executes a single instruction.
- “Jump” is similar to the step, except that subroutines are treated as one instruction.
- “Automatic update” turns the automatic screen update mode on, so that the DSP56303 is periodically interrupted to update the data and registers windows.
- “Reset” resets the DSP56303.
- “Radix” can be used to change the radix of the selected window.

Other buttons appear when other windows are selected, and they function as described in the *Debug-56K Manual*, which is contained in the Domain Technologies CD-ROM.

2.6 Running the Program

To load the example program into the Debugger, click in the command window and type *load example*. The instruction at line 33 is highlighted in the unassembled window because this is the first instruction to be executed. But, before executing the program, verify that the values expected in data memory are there. To do this, type *display x:0* and *display y:0*. The data is displayed in the data window.

To step through the program, type *step* at the command window prompt. For a shortcut, click on the step button or type the start of the command and press the space bar, and the debugger will complete the remainder of the command. To repeat the last command, press return. As you step through the code, notice that the registers in the registers window are changed by the instructions. After each cycle, any register that has been changed is highlighted. Once you have stepped through the program, ensure that the program has executed correctly by checking that the result in accumulator a is \$FE 9F2051 6DFCC2.

Stepping through the program like this is good for short programs, but it is impractical for large, complex programs. The way to debug large programs is to set breakpoints, which are user-defined points where execution of the code stops, allowing the user to step through the section of interest. In the example set a breakpoint, to verify that the values in r0 and r4 are correct before the do loop, type *break p:\$106* in the command window. The line before the loop brightens in the unassembled window, indicating the breakpoint has been set. To point the DSP56303 back to the start point of the program, type *change pc 0*. This changes the program counter so that it points to the reset vector. To run the program type *go* or click on the go button. The DSP56303 stops when it reaches the breakpoint, and you can step through the remainder of the code.

To exit the Debugger, type *quit* at the command prompt.

Chapter 3

DSP56303EVM Technical Summary

3.1 DSP56303EVM Description and Features

An overview description of the DSP56303EVM is provided in the DSP56303EVM Product Brief (DSP56303EVMP/D) included with this kit. The main features of the DSP56303EVM include the following:

- DSP56303 24-bit digital signal processor
- FSRAM for expansion memory and Flash PEROM for stand-alone operation.
- 16-bit CD-quality audio codec
- Command converter circuitry

3.2 DSP56303 Description

A full description of the DSP56303, including functionality and user information, is provided in the following documents:

- ***DSP56303 Technical Data (Document order number DSP56303/D)***: Provides features list and specifications including signal descriptions, DC power requirements, AC timing requirements, and available packaging.
- ***DSP56303 User's Manual (Document order number DSP56303UM/AD)***: Provides an overview description of the DSP and detailed information about the on-chip components including the memory and I/O maps, peripheral functionality, and control and status register descriptions for each subsystem.
- ***DSP56300 Family Manual (Document order number DSP56300FM/AD)***: Provides a detailed description of the core processor including internal status and control registers and a detailed description of the family instruction set.

Refer to these documents for detailed information about chip functionality and operation. These documents will be provided in the kit on either CD or hard copy.

Note: A detailed list of known chip errata is also provided with this kit. Refer to the *DSP56303 Chip Errata* document for information that has changed since the publication of the reference documentation listed previously. The latest version can be obtained on the Motorola DSP worldwide web site at <http://www.mot.com/SPS/DSP/chiperrata/index.html>

3.3 Memory

The DSP56303EVM includes the following external memory:

- 64K × 24-bit fast static RAM (FSRAM) for expansion memory
- 128K × 8-bit flash memory for stand-alone operation

Refer to Figure 3-1 for the location of the FSRAM and Flash on the DSP56303EVM. Figure 3-2 shows a functional block diagram of the DSP56303EVM including the memory devices.

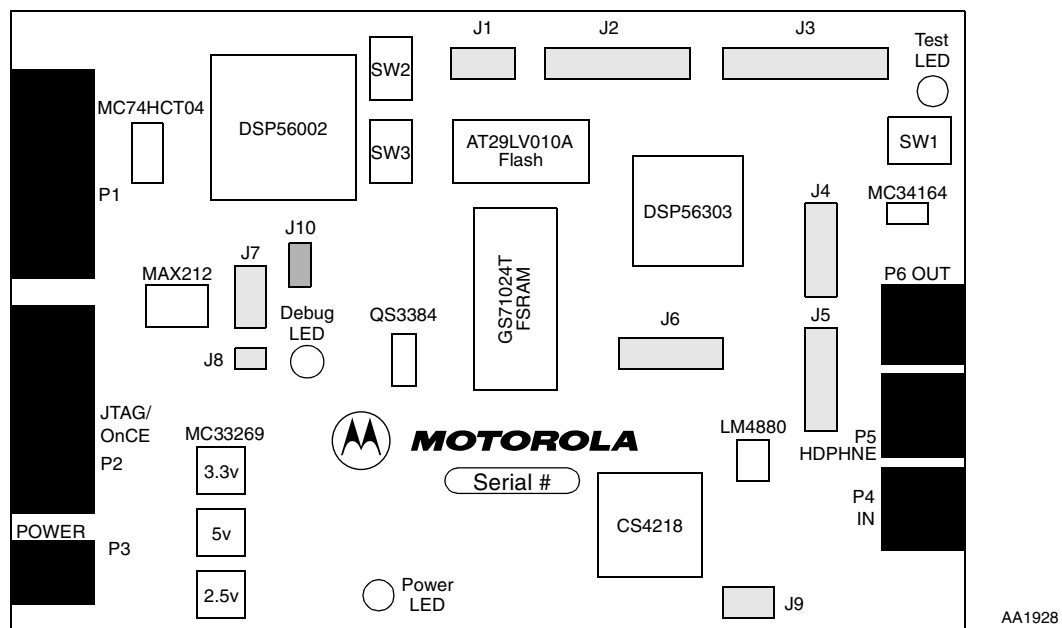


Figure 3-1. DSP56303EVM Component Layout

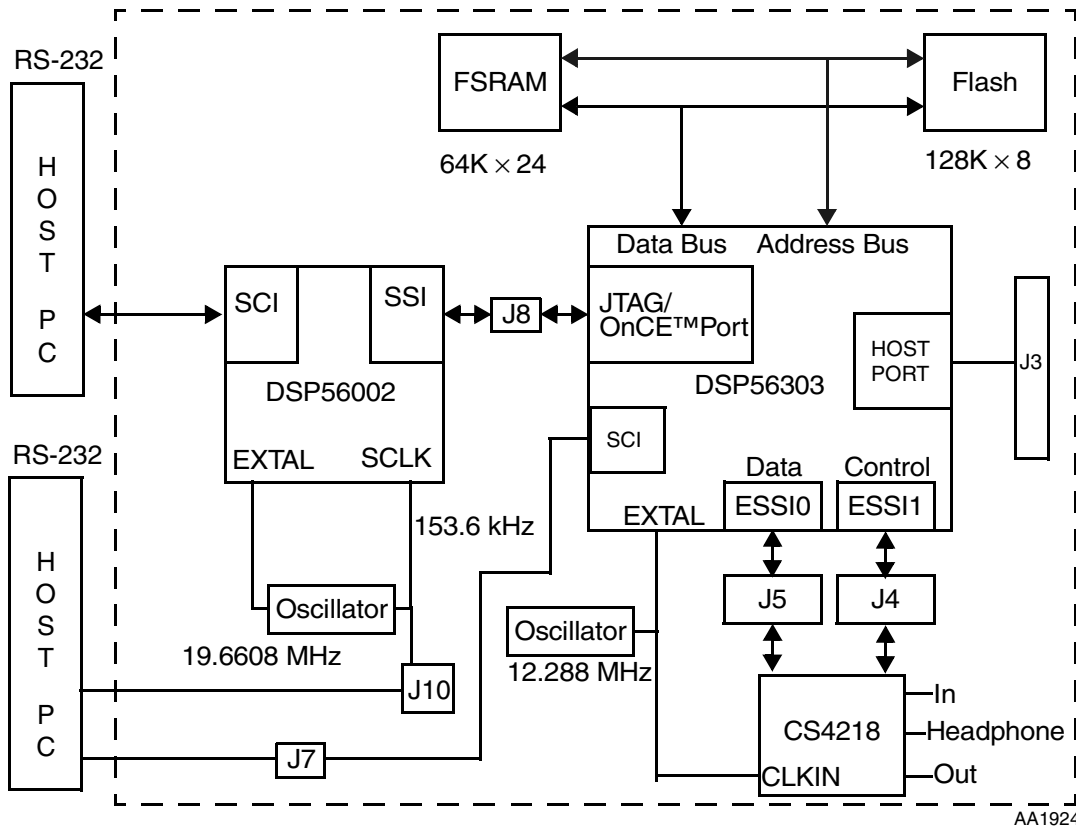


Figure 3-2. DSP56303EVM Functional Block Diagram

3.3.1 FSRAM

The DSP56303EVM uses one bank of 64K × 24-bit fast static RAM(GS71024T-10, labelled U4) for memory expansion. The GS71024T-10 uses a single 3.3 V power supply and has an access time of 10 ns. The following sections detail the operation of the FSRAM.

3.3.1.1 FSRAM Connections

The basic connection for the FSRAM is shown in Figure 3-3.

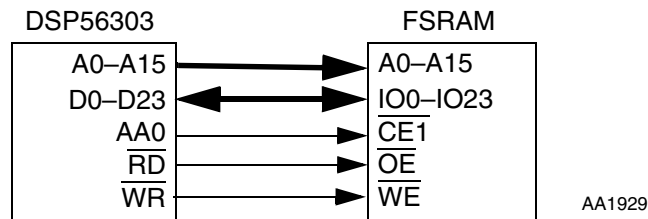


Figure 3-3. FSRAM Connections to the DSP56303

The data input/output pins IO0–IO23 for the FSRAM are connected to the DSP56303 D0–D23 pins. The FSRAM write (\overline{WE}) and output enable (\overline{OE}) lines are connected to the DSP56303 write (\overline{WR}) and read (\overline{RD}) lines, respectively. The FSRAM chip enable ($\overline{CE1}$) is generated by the DSP56303 address attribute 0 (AA0). The FSRAM activity is controlled by AA0 and the corresponding address attribute register 0 (AAR0). The FSRAM address input pins, A0–A15, are connected to the respective port A address pins of the DSP. This configuration selects a unified memory map of 64K words. The unified memory does not contain partitioned X data, Y data, and program memory. Thus, access to P:\$1000, X:\$1000, and Y:\$1000 is treated as access to the same memory cell and 48-bit long memory data moves are not possible to or from the external FSRAM.

3.3.1.2 Example: Programming AAR0

As mentioned above, the FSRAM activity is controlled by the DSP56303 pin AA0 and the corresponding AAR0. AAR0 controls the external access type, the memory type, and which external memory addresses access the FSRAM. Figure 3-4 shows the memory map that is attained with the AAR0 settings described in this example.

Note: In this example, the memory switch bit in the operating mode register (OMR) is cleared and the 16-bit compatibility bit in the status register is cleared.

In Figure 3-4, the FSRAM responds to the 64K of X and Y data memory addresses between \$040000 and \$04FFFF. However, with the unified memory map, accesses to the same external memory location are treated as accesses to the same memory cell.

A priority mechanism exists among the four AAR control registers. AAR3 has the highest priority and AAR0 had the lowest. Bit 14 of the OMR, the address priority disable (APD) bit, controls which AA pins are asserted when a selection conflict occurs (i.e. the external address matches the address and the space that is specified in more than one AAR). If the APD bit is cleared when a selection conflict occurs, only the highest priority AA pin is asserted. If the APD bit is set when a selection conflict occurs, the lower priority AA pins are asserted in addition to the higher priority AA pin. For this example, only one AA pin must be asserted, AA0. Thus, the APD bit can be cleared.

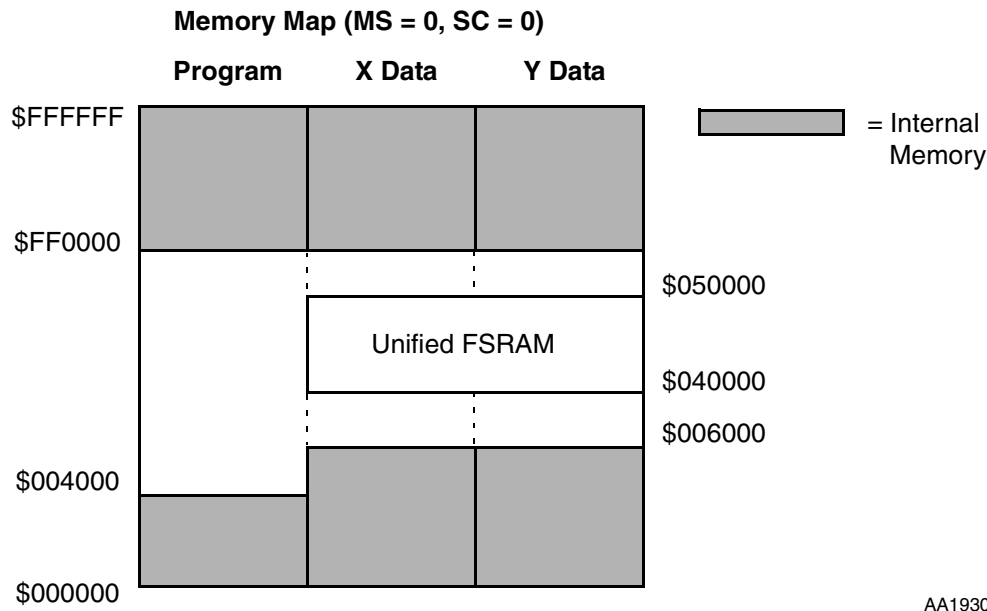


Figure 3-4. Example Memory Map with the Unified External Memory

Figure 3-5 shows the settings of AAR0 for this example. The external access type bits (BAT1 and BAT0) are set to 0 and 1, respectively, to denote FSRAM access. The address attribute polarity bit (BAAP) is cleared to define AA0 as active low. Address multiplexing is not needed with the FSRAM; therefore, the address multiplexing bit BAM is cleared. Packing is not needed with the FSRAM; thus, the packing enable bit BPAC is cleared to disable this option.

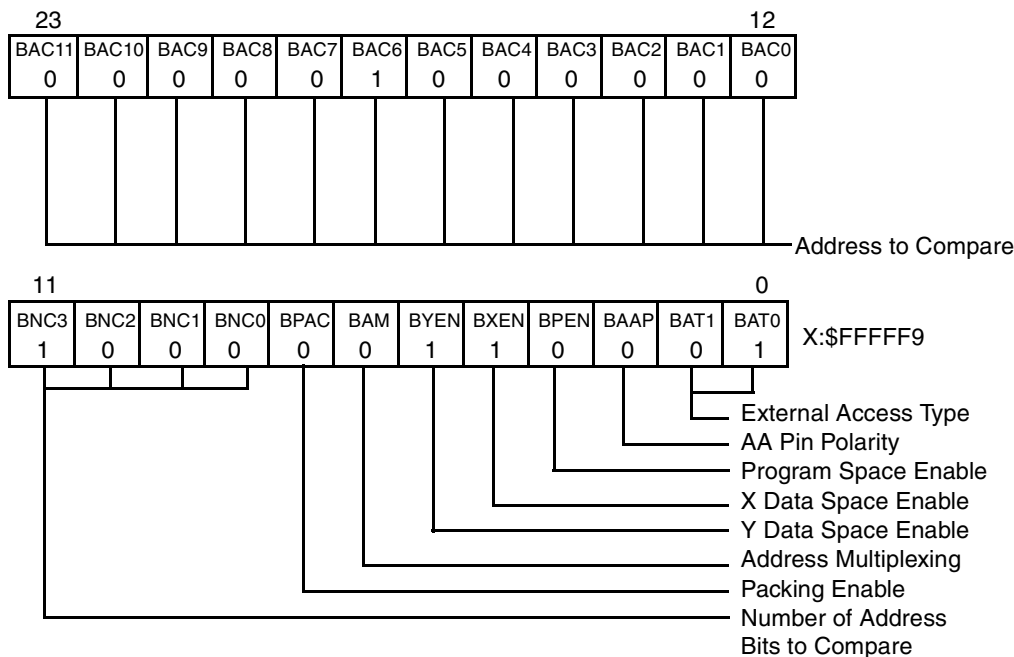


Figure 3-5. Address Attribute Register AAR0

Freescale Semiconductor, Inc.

The P, X data, and Y data space Enable bits (BPEN, BXEN, and BYEN) define whether the FSRAM is activated during external P, X data, or Y data space accesses, respectively. For this example, the BXEN and BYEN bits are set, and BPEN is cleared to allow the FSRAM to respond to X and Y data memory accesses only.

The number of address bits to compare BNC(3:0) and the address to compare bits BAC(11:0) determine which external memory addresses access the FSRAM. The BNC bits define the number of upper address bits that are compared between the BAC bits and the external address to determine if the FSRAM is accessed. For this example, the FSRAM is assigned to respond to addresses between \$040000 and \$04FFFF. Thus, the BNC bits are set to \$8 and the BAC bits are set to \$040. If the eight most significant bits of the external address are 00000100, the FSRAM is accessed.

3.3.2 Flash

The DSP56303EVM uses an Atmel AT29LV010A-20TC chip (U3) to provide a 128K× 8-bit CMOS Flash for stand-alone operation (i.e., startup boot operation without accessing the DSP56303 through the JTAG/OnCE port). The AT29LV010 uses a 3.3 V power supply and has a read access time of 200 ns.

3.3.2.1 Flash Connections

The basic connection for the Flash is shown in Figure 3-6.

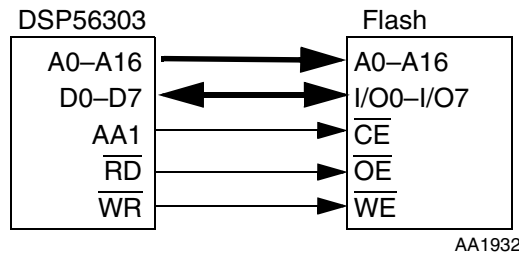


Figure 3-6. Flash Connections

The flash address pins (A0–A16) connect the respective port A address pins on the DSP. The flash data input/output pins I/O0–I/O7 are connected to the DSP56303 D0–D7 pins. The flash write enable (\overline{WE}) and output enable (\overline{OE}) lines connect the DSP56303 write (\overline{WR}) and read (\overline{RD}) enable lines, respectively. Address attribute 1 (AA1) generates the flash chip enable \overline{CE} .

3.3.2.2 Programming for Stand-Alone Operation

The DSP56303 mode pins determine the chip operating mode and start-up procedure when the DSP56303 exits the reset state. The switch at SW1 resets the DSP56303 by

asserting and then clearing the $\overline{\text{RESET}}$ pin of the DSP56303. The mode pins MODA, MODB, MODC, and MODD are sampled as the DSP56303 exits the reset state. The mode pins for the DSP56303EVM are controlled by jumper block J1 shown in Figure 3-1 on page 3-2 and Table 3-14 on page 3-16. The DSP56303 boots from the Flash after reset if there are jumpers connecting pins 3 and 4 and pins 5 and 6 on J1 (Mode 1: MODA and MODD are set, and MODB and MODC are cleared).

3.4 Audio Codec

The DSP56303EVM analog section uses the Crystal Semiconductor CS4218-KQ for two channels of 16-bit A/D conversion and two channels of 16-bit D/A conversion. Refer to Figure 3-1 on page 3-2 for the location of the codec on the DSP56303EVM and to Figure 3-2 on page 3-3 for a functional diagram of the codec within the evaluation module. The CS4218 uses a 3.3 V digital power supply and a 5 V analog power supply.

The CS4218 is driven by a 12.288 MHz signal at the codec master clock (CLKIN) input pin. The oscillator at Y1 creates a 5 V 12.288 MHz signal. The QS3384 at U5 then converts the 5 V signal to 3.3 V for input to the codec CLKIN pin and the DSP56303 EXTAL pin. Refer to the CS4218 data sheet included with this kit for more information.

The CS4218 is very flexible, offering selectable sampling frequencies between 8 kHz and 48 kHz. The sampling frequency is selected using jumpers on jumper block J9. Table 3-1 shows jumper positions that select the possible sampling frequencies for the DSP56303EVM.

Table 3-1. CS4218 Sampling Frequency Selection

J9 Pins 1–2 (MF6)	J9 Pins 3–4 (MF7)	J9 Pins 5–6 (MF8)	Sampling Frequency (kHz)
Jumper	Jumper	Jumper	48.0
Jumper	Jumper	Open	32.0
Jumper	Open	Jumper	24.0
Jumper	Open	Open	19.2
Open	Jumper	Jumper	16.0
Open	Jumper	Open	12.0
Open	Open	Jumper	9.6
Open	Open	Open	8

The codec is connected to the DSP56303 ESSI0 through the shorting jumpers on J4 and J5 shown in Figure 3-1 on page 3-2. Jumper block J4 connects the ESSI1 pins of the

DSP56303 to the control pins of the CS4218. Jumper block J5 connects the ESSIO pins of the DSP56303 to the data pins of the CS4218. By removing these jumpers, the user has full access to the ESSIO and ESSI1 pins of the DSP56303. The following sections describe the connections for the analog and digital sections of the codec.

3.4.1 Codec Analog Input/Output

The DSP56303EVM contains 1/8-inch stereo jacks for stereo input, output, and headphones. Figure 3-7 shows the analog circuitry of the codec.

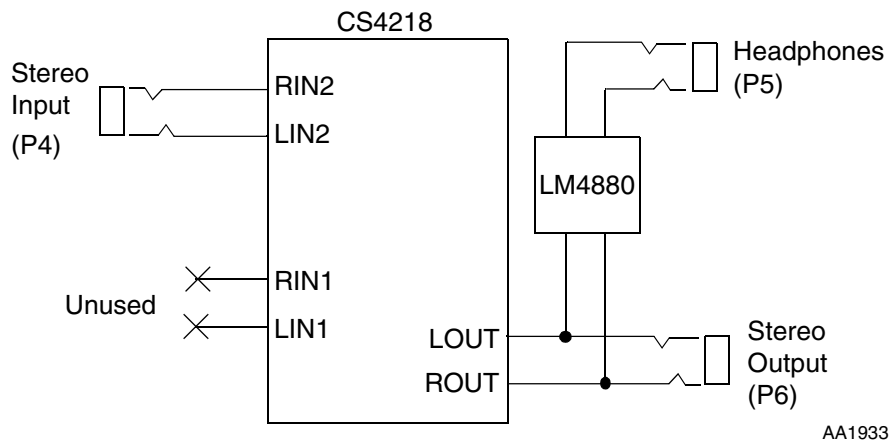


Figure 3-7. Codec Analog Input/Output Diagram

The stereo jack labelled P4/IN on the DSP56303EVM connects to the codec right and left input pins, RIN2 and LIN2. Standard line level inputs are $2 V_{PP}$ and the codec requires that input levels be limited to $1 V_{PP}$. Thus, a voltage divider forms a 6 dB attenuator between P4 and the CS4218.

The codec right and left channel output pins, ROUT and LOUT, provide their output analog signals, through the stereo jack labelled P6/OUT on the DSP56303EVM. The outputs of the codec are also connected to the stereo jack labelled P5/HDPHNE on the DSP56303EVM through National Semiconductor's LM4880 dual audio power amplifier at U8. The headphone stereo jack permits direct connection of stereo headphones to the DSP56303EVM.

3.4.2 Codec Digital Interface

Figure 3-8 shows the digital interface to the codec. Table 3-2 and Table 3-3 show the jumper selections to Enable/Disable the code's digital signals.

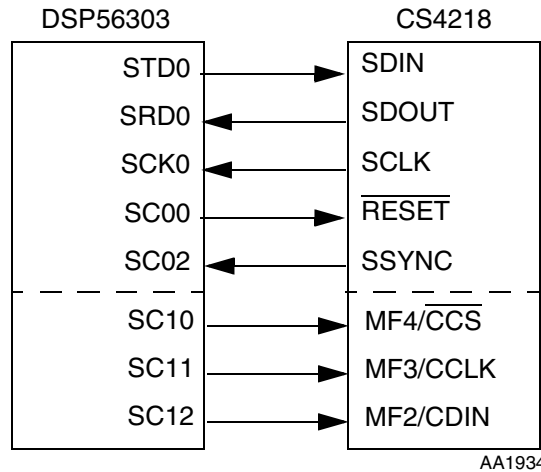


Figure 3-8. Codec Digital Interface Connections

Table 3-2. JP5 Jumper Block Options

JP5	DSP Signal Name	Code Signal Name
1—2	SCK0	SCLK
3—4	SC00	RESET
5—6	STD0	SDIN
7—8	SRD0	SDOUT
9—10	SC01	—
11—12	SC02	SSYNC

Table 3-3. JP4 Jumper Block Options

JP4	DSP Signal Name	Code Signal Name
1—2	SCK1	—
3—4	SC10	CCS
5—6	STD1	—
7—8	SRD1	—
9—10	SC12	CDIN
11—12	SC11	CCLK

The serial interface of the codec transfers digital audio data and control data into and out of the device. The codec communicates with the DSP56303 through the ESS10 for the data information and through the ESS11 for the control information. The codec has three modes

of serial operation that are selected by the serial mode select SMODE1, SMODE2, and SMODE3 pins. The SMODE pins on the DSP56303EVM are set to enable serial mode 4, which separates the audio data from the control data. The SMODE pins are also set to enable the master sub-mode with 32-bit frames, the first 16 bits being the left channel, and the second 16 bits being the right channel.

The DSP56303 ESSI0 transfers the data information to and from the codec. The DSP56303 serial transmit data (STD0) pin transmits data to the codec. The DSP56303 serial receive data (SRD0) pin receives data from the codec. These two pins are connected to the codec serial port data in (SDIN) and serial port data out (SDOUT) pins, respectively. In master sub-mode, the codec serial port clock (SCLK) pin provides the serial bit rate clock for the ESSI0 interface. It is connected to the DSP56303 bidirectional serial clock (SCK0) pin. The DSP56303 serial control 0 (SC00) pin is programmed to control the codec reset signal $\overline{\text{RESET}}$. The serial control 2 (SC02) pin is connected to the codec serial port sync signal (SSYNC) signal. A rising edge on SSYNC indicates that a new frame is about to start.

The DSP56303 ESSI1 pins are used as general purpose i/o (GPIO) signals to transfer the control data to the codec. The control data needs to be transferred only when it changes. The DSP56303 serial control 0 (SC10) pin is programmed to control the codec multi-function pin 4 or the control data chip select pin, MF4/ $\overline{\text{CCS}}$. This pin must be low for entering control data. The serial control 1 (SC11) pin connects to the codec multi-function pin 3 or the control data clock pin, MF3/CCLK. The control data is inputted on the rising edge of CCLK. The serial control 2 (SC12) pin is connected to the codec multi-function pin 2 or the control data input pin, MF2/CDIN. This pin contains the control data for the codec.

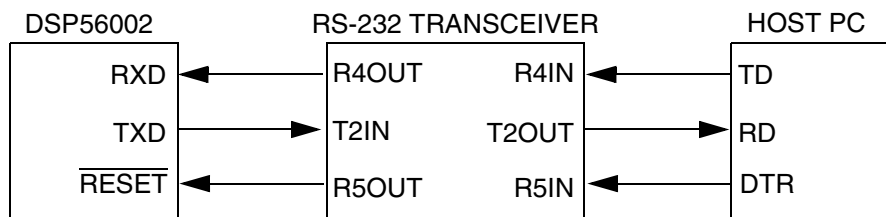
3.5 Command Converter

The DSP56303EVM uses Motorola's DSP56002 to perform JTAG/OnCE command conversion. The DSP56002 serial communications interface (SCI) communicates with the host PC through an RS-232 connector. The DSP56002 SCI receives commands from the host PC. The set of commands may include read data, write data, reset OnCE module, reset DSP56303 (the HA2 pin of the DSP56002 is then used to reset the DSP56303), request OnCE module, or release OnCE module. The DSP56002 command converter software interprets the commands received from the PC and sends a sequence of instructions to the DSP56303's JTAG/OnCE port. The DSP56303 may then continue to receive data or it may transmit data back to the DSP56002. The DSP56002 sends a reply to the host PC to give status information. The set of replies may include "acknowledge good", "acknowledge bad", "in debug mode", "out of debug mode", or "data read". When the DSP56303 is in the debug state, the red debug LED (LED2) is illuminated.

The DSP56002 connects to the DSP56303 JTAG/OnCE port through the shorting jumper on J8. Table 3-4 shows the JTAG enable/disable options. The jumper must be present in J8 to use the DSP56002 as the command converter. Refer to Figure 3-1 on page 3-2 for the location of J8 on the DSP56303EVM and to Figure 3-2 on page 3-3 for a functional diagram. Figure 3-9 shows the RS-232 serial interface diagram. Table 3-5 shows the RS-232 connectors pinout, (P2).

Table 3-4. On-Board JTAG Enable/Disable Option

J8	Option Selected
1-2	On-Board Command Converter Enabled
OPEN	On-Board Command Converter Disabled



AA1935

Figure 3-9. RS-232 Serial Interface

Table 3-5. Debug RS-232 Connector (P2) Pinout

Pin Number	DSP Signal Name	Pin Number	DSP Signal Name
1	—	6	—
2	TxD	7	—
3	RxD	8	—
4	RESET	9	—
5	GND		

Maxim’s 3 V Powered RS-232 Transceiver MAX212 at U11 is used to transmit the signals between the host PC and the DSP56002. Serial data is transmitted from the host PC transmitted data (TD) signal and received on the DSP56002 receive data (RXD) pin. Serial data is similarly transmitted from the DSP56002 transmit data (TXD) signal and received on the host PC received data (RD) signal. The data terminal ready (DTR) pin asserts the $\overline{\text{RESET}}$ pin of the DSP56002.

As an option, the DSP56303EVM 14-pin JTAG/OnCE connector at J6 allows the user to connect an ADS command converter card directly to the DSP56303EVM, if the DSP56002 command converter software is not used (J8 jumper removed). Pin 8 has been removed from J6 so that the cable cannot be connected to the DSP56303EVM incorrectly. Table 3-6 shows the JTAG/OnCE (J6) connector pinout. The JTAG cable from the ADS command converter is similarly keyed so that the cable cannot be connected to the DSP56303EVM incorrectly.

Table 3-6. JTAG/OnCE (J6) Connector Pinout

Pin Number	DSP Signal Name	Pin Number	DSP Signal Name
1	TDI	2	GND
3	TDO	4	GND
5	TCK	6	GND
7	—	8	KEY-PIN
9	PRESET	10	TMS
11	+3.3 V	12	—
13	DEZ	14	TRST

3.6 Off-Board Interfaces

The DSP56303EVM provides interfaces with off-board devices via its on-chip peripheral ports. Most of the DSP ports are connected to headers on the EVM to facilitate direct access to these pins by using connectors or jumpers.

3.6.1 Serial Communication Interface Port (SCI)

Connection to the DSP's SCI port can be made at J7. Refer to Table 3-7 for pinout. The signals at J7 are +3.3 V signals straight from the DSP. If RS-232 level signals are required, jumpers should be installed at J7. Refer to Table 3-8 to route the DSP's SCI signals through an RS-232 level converter to P1. The pinout of P1 is shown in Table 3-9.

By installing a jumper at J10, the SCI port will be clocked by the on-board 153.6 kHz oscillator instead of being clocked externally via the serial port connector, P1, or internally by an SCI timer. If J10 is installed, jumper 3–4 on J7 must be removed.

Table 3-7. SCI Header (J7) Pinout

Pin Number	DSP Signal Name	Pin Number	DSP Signal Name
1	RxD	2	—
3	SCLK	4	—
5	TxD	6	—

Table 3-8. J7 Jumper Options

J7	DSP Signal Name
1—2	RxD
3—4	SCLK
5—6	TxD

Table 3-9. DSP Serial Port (P1) Connector Pinout

Pin Number	DSP Signal Name	Pin Number	DSP Signal Name
1	—	6	—
2	TxD	7	SCLK
3	RxD	8	—
4	—	9	—
5	GND		

3.6.2 Enhanced Synchronous Serial Port 0 (ESSIO)

Connection to the DSP's ESSIO port can be made at J5. Refer to Table 3-10 for the header's pinout.

Table 3-10. ESSI0 Header (J5) Pinout

Pin Number	DSP Signal Name	Pin Number	DSP Signal Name
1	SCK0	2	—
3	SC00	4	—
5	STD0	6	—
7	SRD0	8	—
9	SC01	10	—
11	SC02	12	—

3.6.3 Enhanced Synchronous Serial Port 1 (ESSI1)

Connection to the DSP's ESSI1 port can be made at J4. Refer to Table 3-11 for the header's pinout.

Table 3-11. ESSI0 Header (J4) Pinout

Pin Number	DSP Signal Name	Pin Number	DSP Signal Name
1	SCK1	2	—
3	SC10	4	—
5	STD1	6	—
7	SRD1	8	—
9	SC12	10	—
11	SC11	12	—

3.6.4 Host Port (HI08)

Connection to the DSP's HI08 port can be made at J3. Refer to Table 3-12 for the header's pinout.

Table 3-12. HI08 Header (J3) Pinout

Pin Number	DSP Signal Name	Pin Number	DSP Signal Name
1	H0	2	H1
3	H2	4	H3
5	H4	6	GND
7	H5	8	H6
9	H7	10	RESET
11	HA0	12	HA1
13	HA2	14	HCS
15	HREQ	16	HDS
17	+3.3 V	18	HACK
19	HRW	20	GND

3.6.5 Expansion Bus Control

Connection to the DSP's expansion BUS control signals can be made at J2. Refer to Table 3-13 for header's pinout.

Table 3-13. Expansion Bus Control Signal Header (J2) Pinout

Pin Number	DSP Signal Name	Pin Number	DSP Signal Name
1	+3.3 V	2	RD
3	WR	4	BG
5	BB	6	BR
7	TA	8	BCLK
9	BCLK	10	CAS
11	CLKOUT	12	AA1
13	AA0	14	AA2
15	AA3	16	GND

3.7 Mode Selector

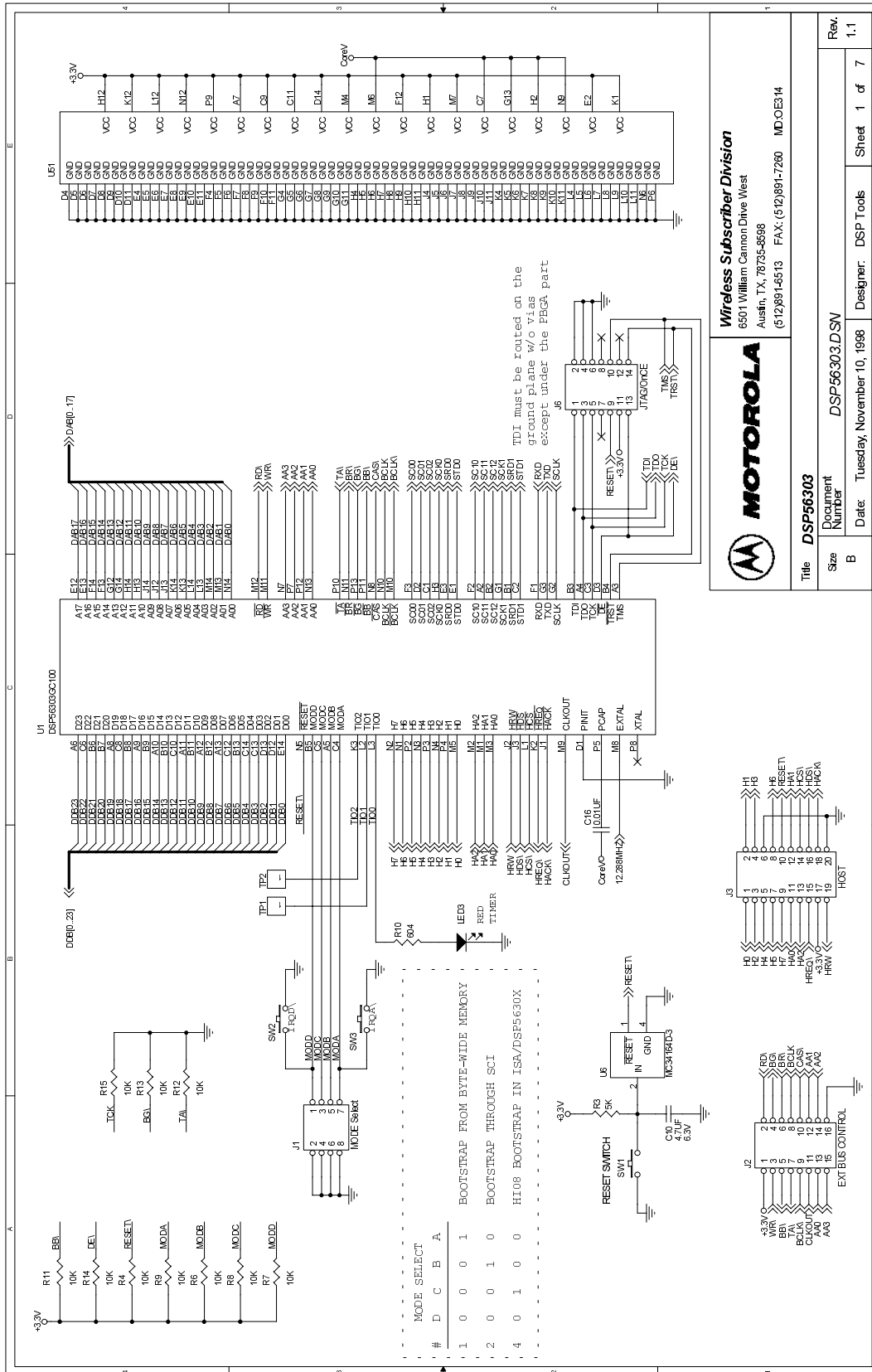
Boot Up mode selection for the DSP56303 is made by jumper selections on header J1. Refer to Table 3-14 for header J1 jumper options.

Table 3-14. Boot Mode Selection Options

Mode Number	J1				Boot Mode Selected
	D 1-2	C 3-4	B 5-6	A 7-8	
8	OPEN	JUMP	JUMP	JUMP	Jump to program at \$008000
1	OPEN	JUMP	JUMP	OPEN	Bootstrap from byte-wide memory
2	OPEN	JUMP	OPEN	JUMP	Bootstrap from SCI
4	OPEN	OPEN	JUMP	JUMP	HI08 bootstrap in ISA/DSP5630X mode
5	OPEN	OPEN	JUMP	OPEN	HI08 Bootstrap in HC11 non-multiplexed bus mode
6	OPEN	OPEN	OPEN	JUMP	HI08 Bootstrap in 8051 multiplexed bus mode.
7	OPEN	OPEN	OPEN	OPEN	HI08 Bootstrap in MC68302 bus mode.

Appendix A

DSP56303EVM Schematics



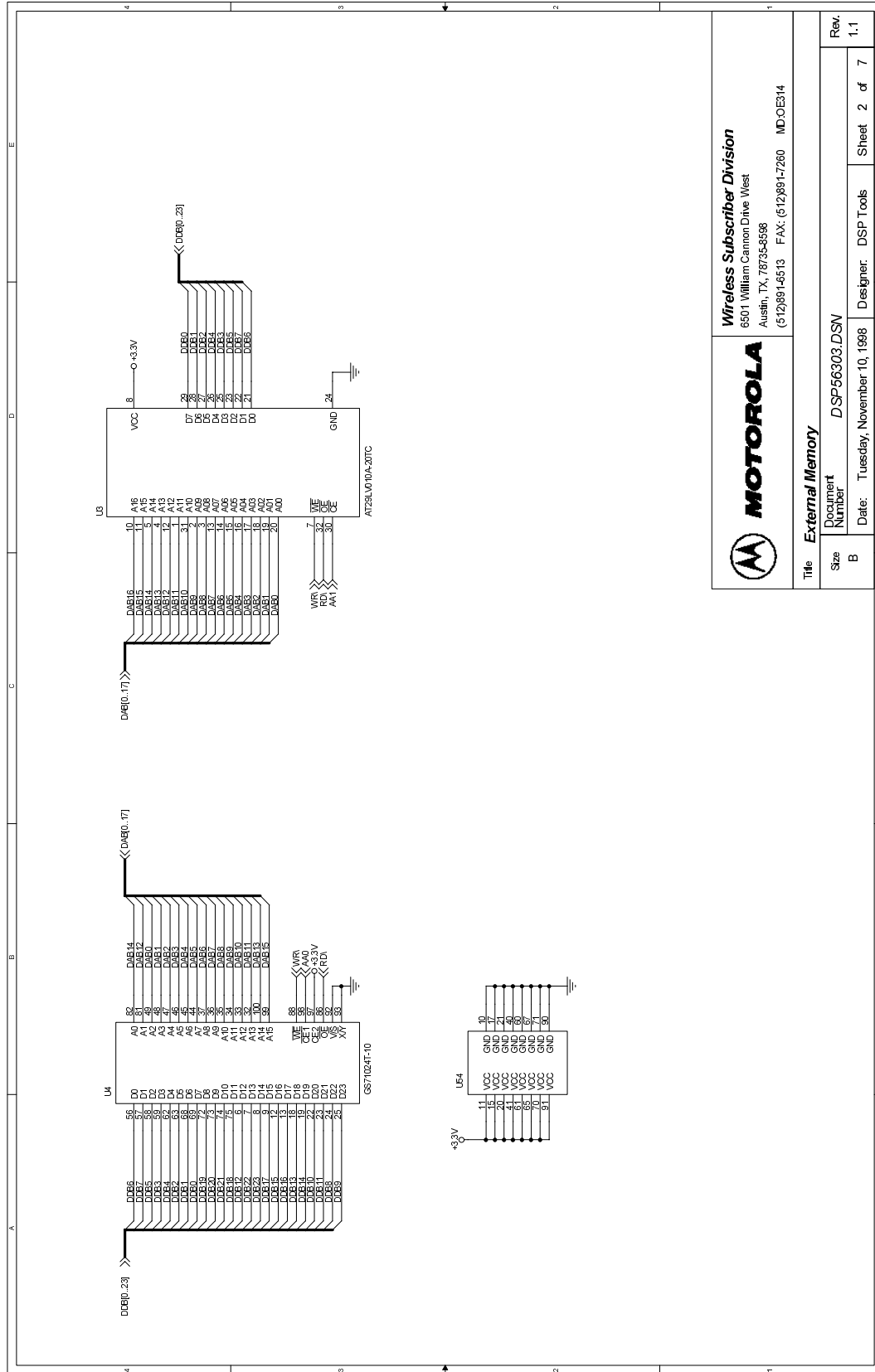
MOTOROLA

Wireless Subscriber Division
6501 William Cannon Drive West
Austin, TX, 78735-6598
(512)891-6513 FAX: (512)891-7260 MD:OE314

Title: DSP56303
Document Number: DSP56303.DSV
Date: Tuesday, November 10, 1998
Designer: DSP Tools

Rev. 1.1
Sheet 1 of 7

Figure A-1. DSP56303



		Wireless Subscriber Division 6501 William Cannon Drive West Austin, TX, 78735-5098 (512)891-4613 FAX: (512)891-7260 MD:OE314			
		Title External Memory	Document Number DSP56303.DSN	Designer DSP Tools	Sheet 2 of 7
Size B	Date: Tuesday, November 10, 1998				

Figure A-2. External Memory

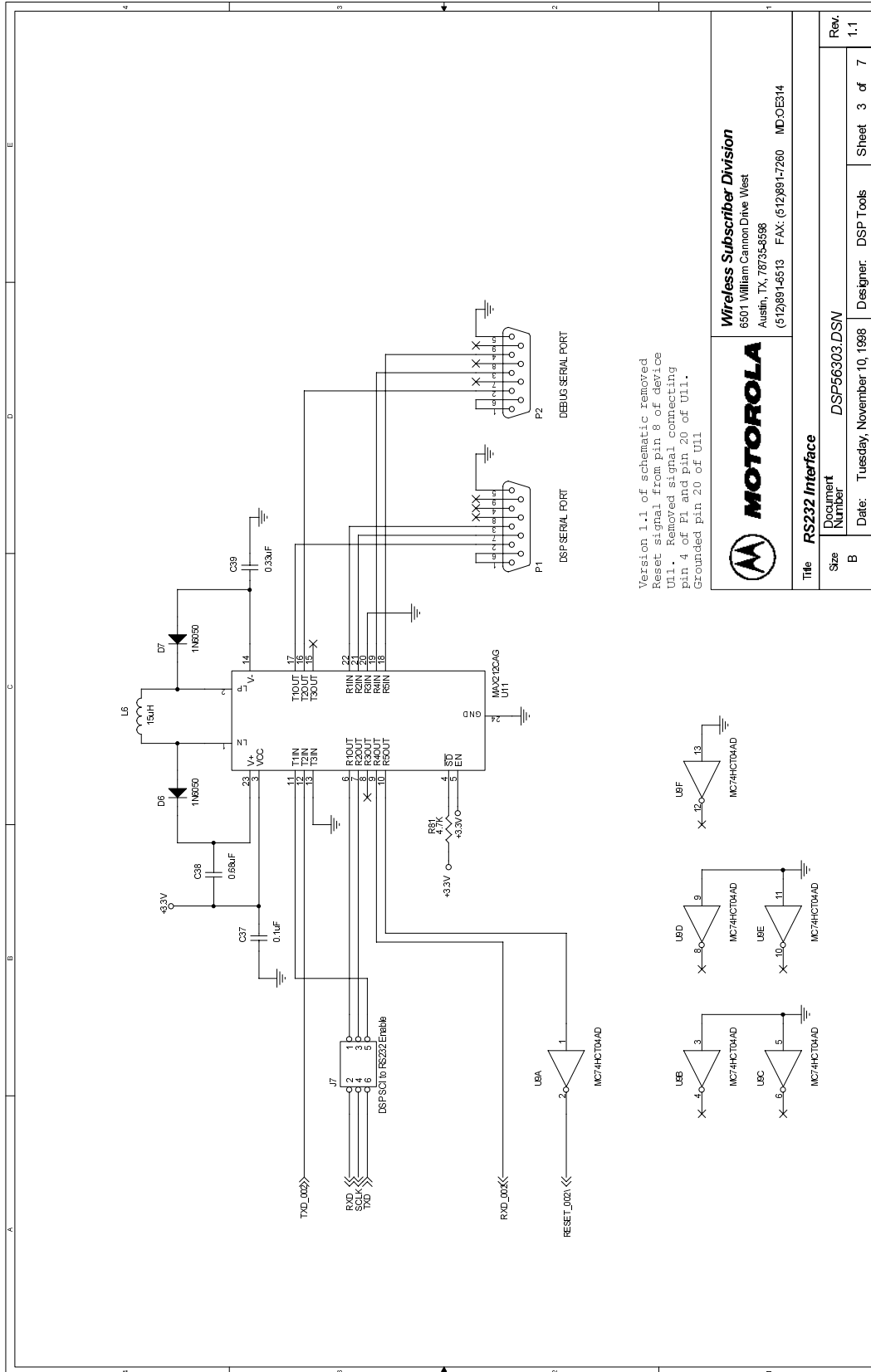
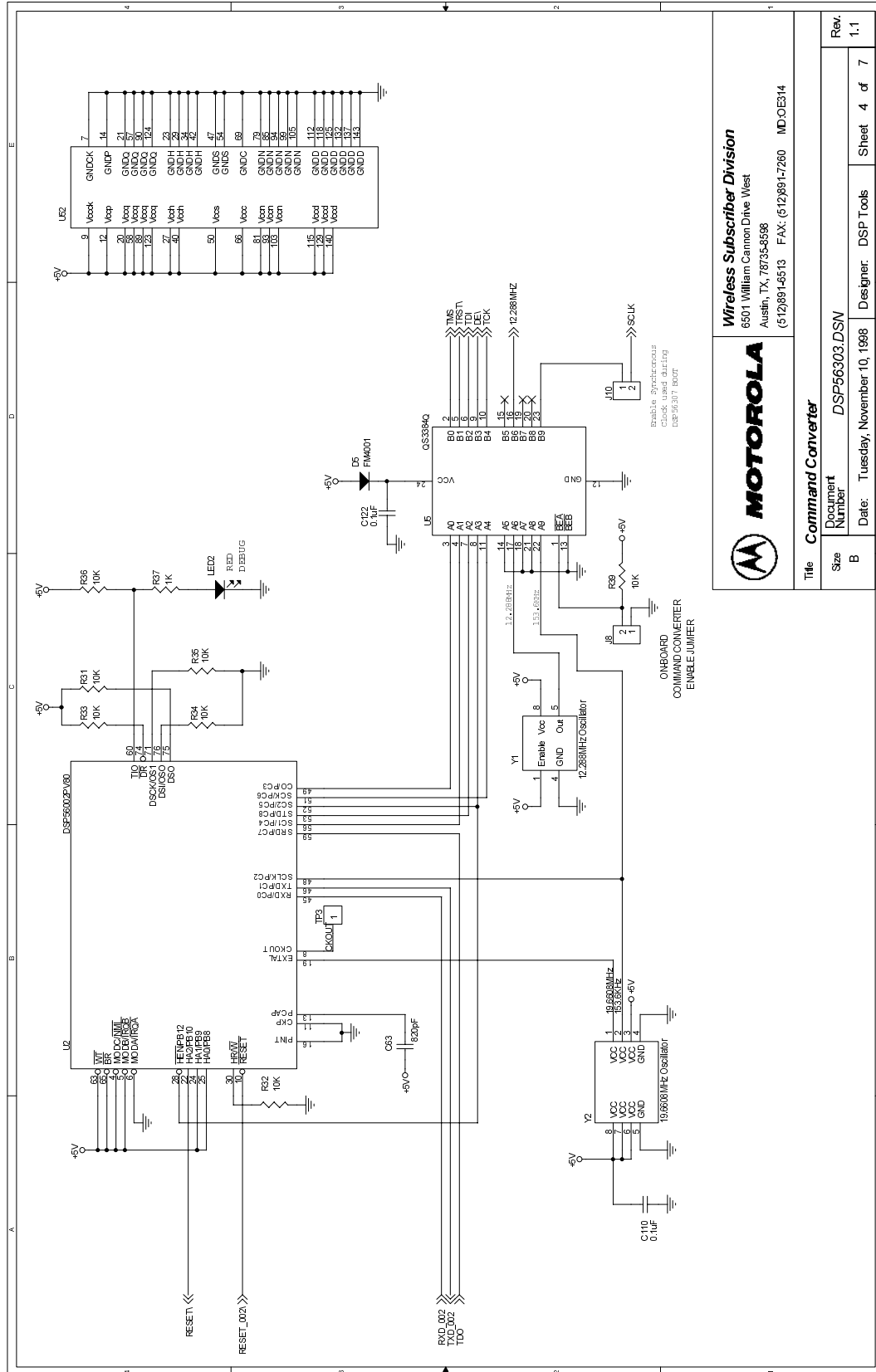
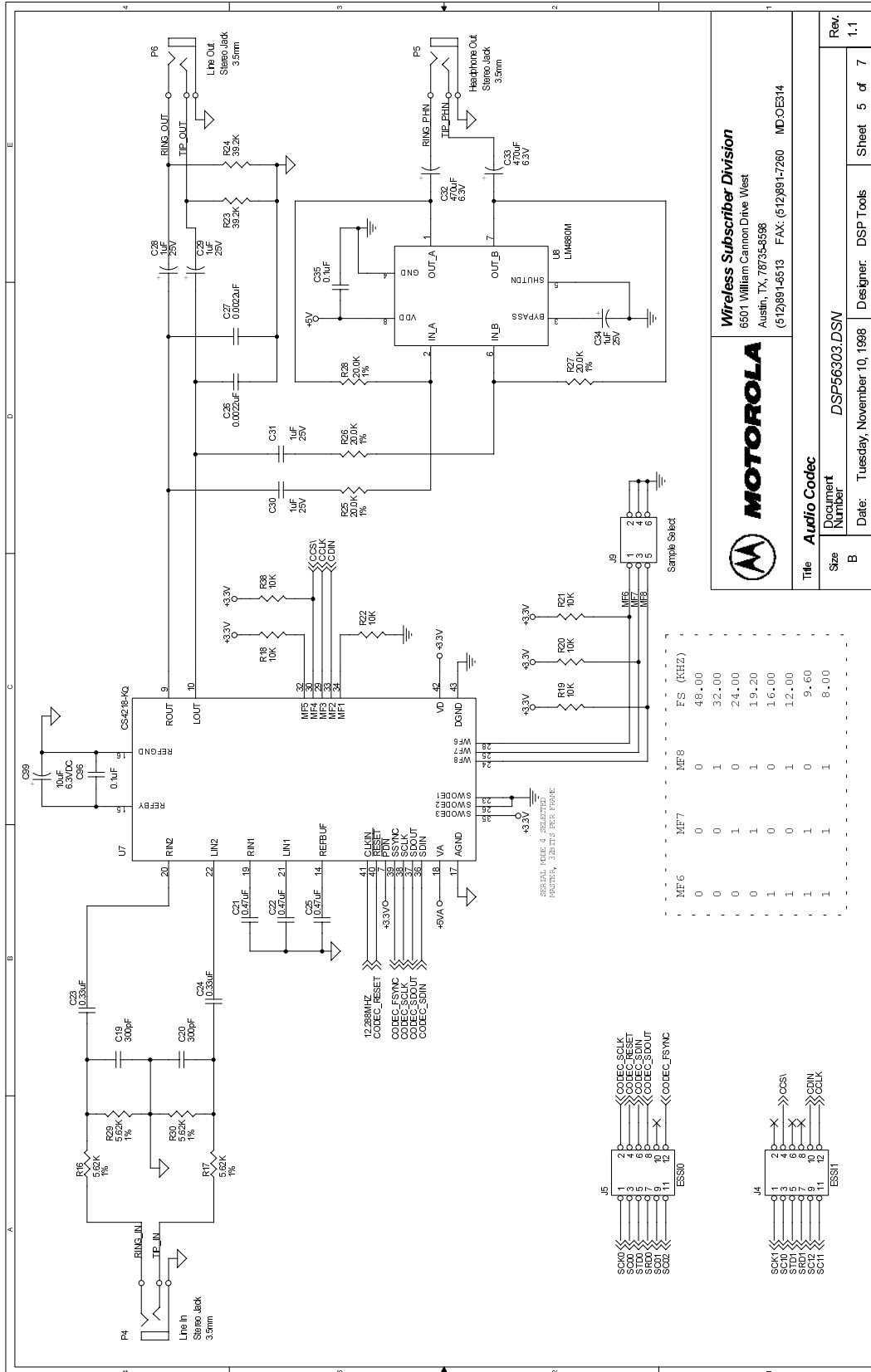


Figure A-3. RS232 Interface



MOTOROLA		Wireless Subscriber Division 6501 William Cannon Drive West Austin, TX, 78735-5098 (512)891-6513 FAX: (512)891-7260 MD:OE314	
Command Converter			
Title	Document Number	Date:	Rev.
B	DSP56303.DSN	Tuesday, November 10, 1998	1.1
Size	Designer:	DSP Tools	Sheet 4 of 7
B			

Figure A-4. Command Converter

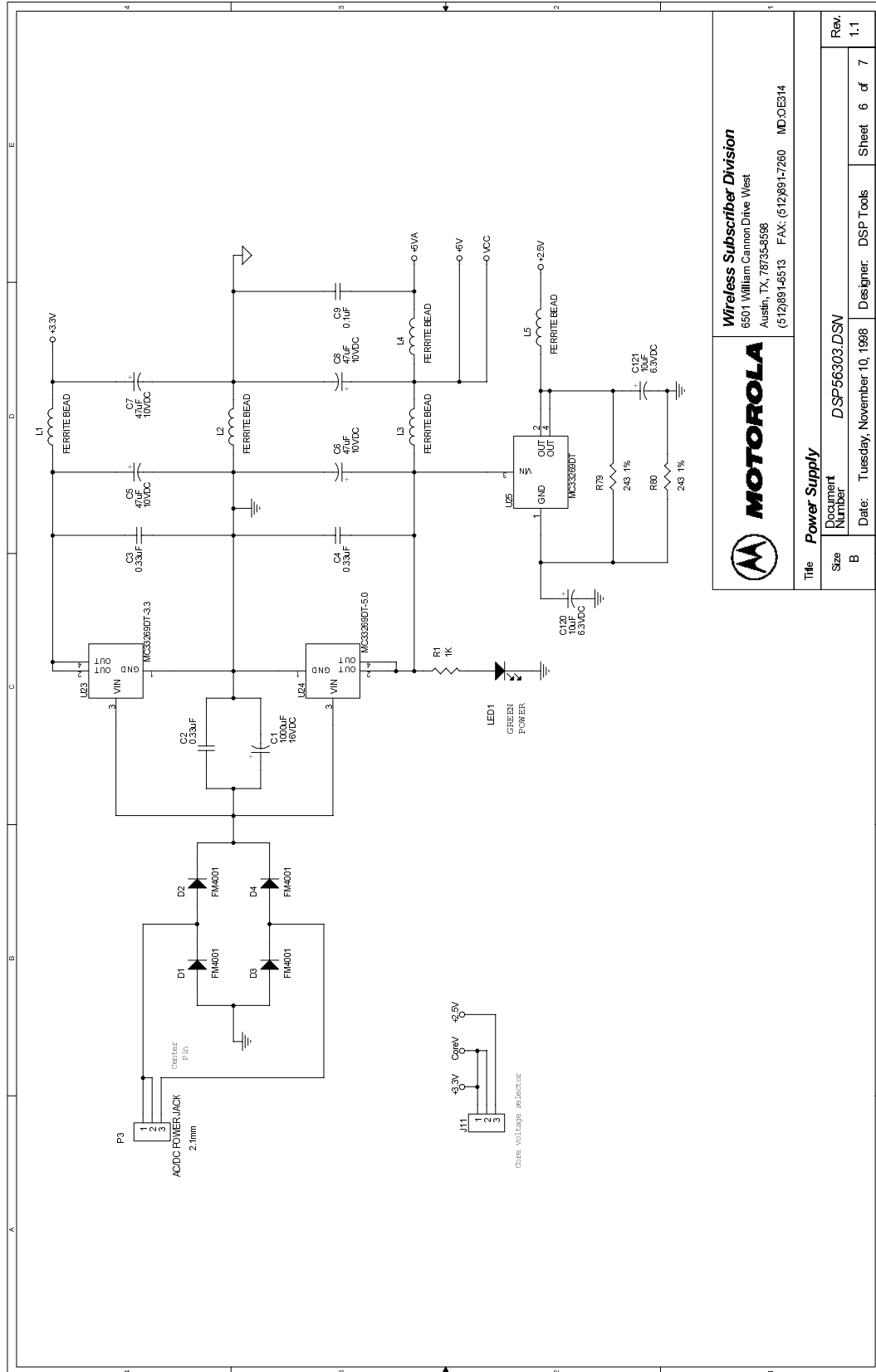


MOTOROLA

Wireless Subscriber Division
6501 William Cannon Drive West
Austin, TX, 78735-8598
(512)891-6513 FAX: (612)891-7260 MD:OE314

Audio Codec
Document Number: DSP56303.DSN
Date: Tuesday, November 10, 1998 Designer: DSP Tools Sheet 5 of 7 Rev. 1.1

Figure A-5. Audio Codec

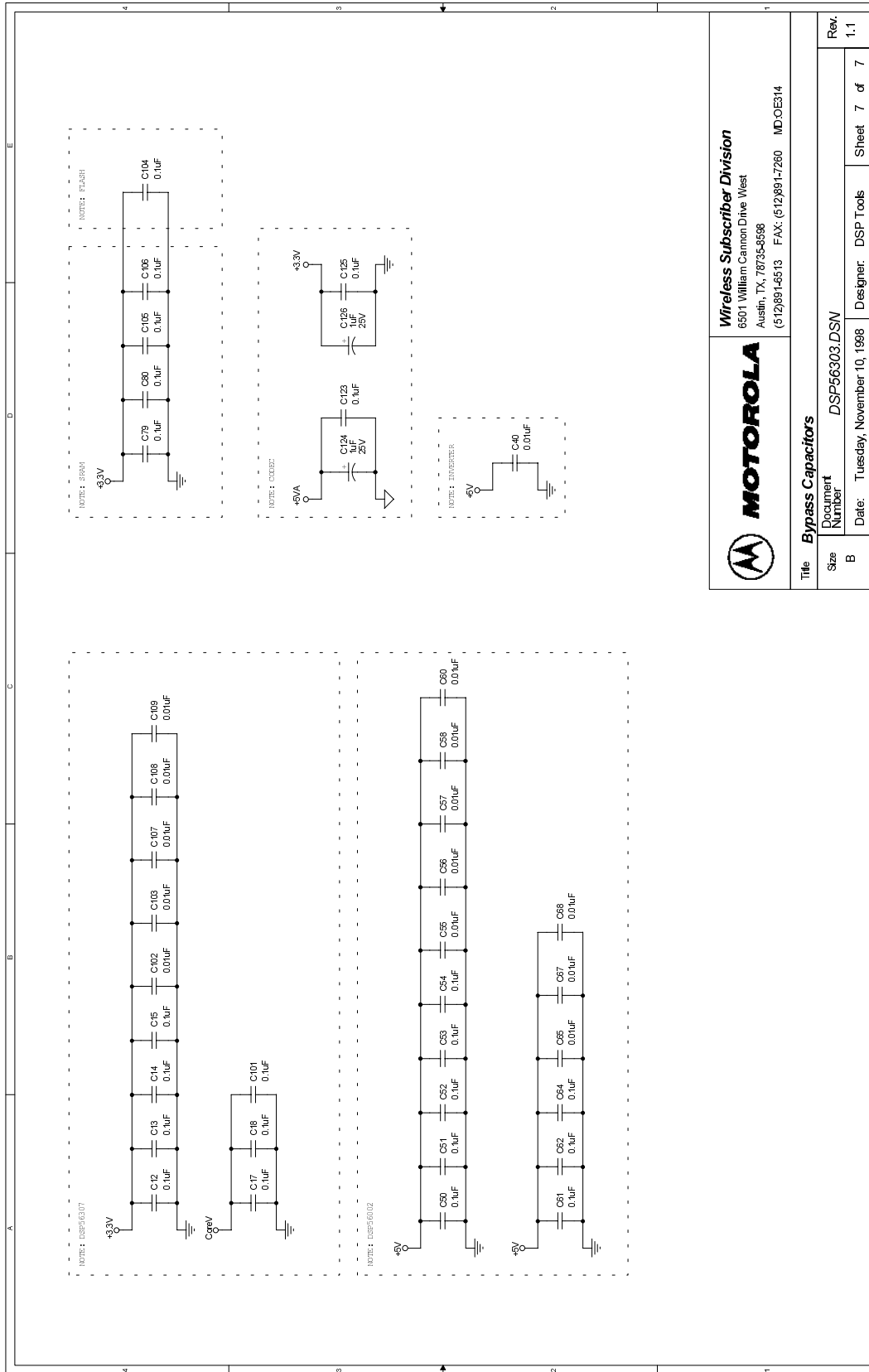


MOTOROLA

Wireless Subscriber Division
6501 William Cannon Drive West
Austin, TX, 78735-5098
(512)891-4613 FAX: (512)891-7260 MD.OE314

Title Power Supply	
Document Number	DSP56303.DSN
Size	B
Date:	Tuesday, November 10, 1998
Designer:	DSP Tools
Sheet	6 of 7
Rev.	1.1

Figure A-6. Power Supply



		Wireless Subscriber Division 6501 William Cannon Drive West Austin, TX, 78735-8598 (512)891-6513 FAX: (512)891-7260 MD.OE314	
Title Bypass Capacitors Document Number DSP56303.DSN		Date: Tuesday, November 10, 1998 Designer: DSP Tools	
Size B	Sheet 7 of 7	Rev. 1.1	7

Figure A-7. Bypass Capacitors

Appendix B

DSP56303EVM Parts List

B.1 Parts Listing

The following table contains information on the parts and devices on the DSP56303EVM.

Table B-1. DSP56303EVM Parts List

Designator	Manufacturer	Part Number	Description
U1	Motorola	DSP56303GC100	DSP
U2	Motorola	DSP56002PV80	DSP (JTAG/OnCE)
U4	GSI	GS71024T-10	FSRAM
U3	Atmel	AT29LV010A-20TC	Flash
U5	Quality Semiconductor	QS3384Q	Bus Switch
U6	Motorola	MC34164D-3	Power-On-Reset
U7	Crystal Semiconductor	CS4218-KQ	Audio Codec
U8	Pioneer	LM4880M	Audio Amplifier
U9	Motorola	MC74HCT04AD	Hex Inverter
U11	Maxim	MAX212CAG	RS-232 Transceiver
U23	Motorola	MC33269DT-3.3	3.3 V Regulator
U24	Motorola	MC33269DT-5.0	5 V Regulator
U25	Motorola	MC33269DT	Adj Regulator
D1 D2 D3 D4 D5	Rectron	FM4001	IN4001 Diode
D6 D7	Motorola	MMBD6050LT1	IN6050 Diode
LED1	Quality Technologies	HLMP1790	Green LED
LED2 LED3	Quality Technologies	HLMP1700	Red LED

Table B-1. DSP56303EVM Parts List (Continued)

Designator	Manufacturer	Part Number	Description
Y1	MMD	MC100CA-12.288MHZ	12.288 MHz Oscillator
Y2	ECS	OECS-196.6-3-C3X1A	19.6608 MHz /153.6 kHz Oscillator
SW1 SW2 SW3	Panasonic	EVQ-QS205K	6 mm Switch
P1 P2	Mouser	152-3409	DB-9 Female Connector
P3	Switchcraft	RAPC-722	2.1 mm DC Power Jack
P4 P5 P6	Switchcraft	35RAPC4BHN2	3.5 mm Miniature Stereo Jack
J1	Robinson Nugent	NSH-8DB-S2-TG	Header 8 pin double row
J2	Robinson Nugent	NSH-16DB-S2-TG	Header 16 pin double row
J3	Robinson Nugent	NSH-20DB-S2-TG	Header 20 pin double row
J4 J5	Robinson Nugent	NSH-12DB-S2-TG	Header 12 pin double row
J6	Robinson Nugent	NHS-14DB-S2-TG	Header 14 pin double row
J7 J9	Robinson Nugent	NSH-6SB-S2-TG	Header 6 pin double row
J8	Robinson Nugent	NSH-2SB-S2-TG	Header 2 pin single row
C99 C120 C121	Panasonic	PCS1106CT	10 μ F Capacitor, 6.3 V dc
C28 C29 C30 C31 C34 C124 C126	Murata	GRM42-6Y5V105Z025BL	1.0 μ F Capacitor, 25 V dc
C9 C12 C13 C14 C15 C17 C18 C35 C37 C50 C51 C52 C53 C54 C61 C62 C64 C79 C80 C96 C101 C104 C105 C106 C110 C122 C123 C125	Murata	GRM40-X7R104K025BL	0.1 μ F Capacitor
C16 C40 C55 C56 C57 C58 C60 C65 C67 C68 C102 C103 C107 C108 C109	Murata	GRM40-X7R103K050BL	0.01 μ F Capacitor

Table B-1. DSP56303EVM Parts List (Continued)

Designator	Manufacturer	Part Number	Description
C10	Panasonic	PCS1475CT	4.7 μ F Capacitor, 6.3 V dc
C2 C3 C4 C23 C24 C39	Murata	GRM42-6Y5V334Z025BL	0.33 μ F Capacitor
C21 C22 C25	Murata	GRM42-6Y5V474Z025BL	0.47 μ F Capacitor
C38	Murata	GRM42-6Y5V684Z025BL	0.68 μ F Capacitor
C19 C20	Xicon	140-CC501N331J	330 pF Capacitor
C26 C27	Murata	GRM40-COG222J050BL	2200 pF Capacitor
C63	Murata	GRM40-X7R821K050BL	820 pF Capacitor
C5 C6 C7 C8	AVX	TPSV476-025R0300	47 μ F Capacitor, 10 V dc
C32 C33	Panasonic	PCE3028CT	470 μ F Capacitor, 6.3 V dc
C1	Xicon	XAL16V1000	1000 μ F Capacitor, 16 V dc
L1 L2 L3 L4 L5	Murata	BL01RN1-A62	Ferrite Bead
L6	Murata	LQH4N150K04M00	Inductor
R1 R37	NIC	NRC12RF1001TR	1 K Ω Resistor
R3	Xicor	260-5K	5 K Ω Resistor
R4 R6 R7 R8 R9 R11 R12 R13 R14 R15 R18 R19 R20 R21 R22 R31 R32 R33 R34 R35 R36 R38 R39	NIC	NRC12RF1002TR	10 K Ω Resistor
R25 R26 R27 R28	Xicor	260-20K	20 K Ω Resistor
R23 R24	NIC	NRC12RF3922TR	39.2 K Ω Resistor
R16 R17 R29 R30	Xicor	260-5.6K	5.6 K Ω Resistor
R10	NIC	NRC12RF6040TR	604 Ω Resistor
R79 R80	Panasonic	ERJ-6GEYJ240	240 Ω Resistor
R81	NIC	260-4.7K	4.7 K Ω Resistor

Appendix C

Motorola Assembler Notes

C.1 Introduction

This appendix supplements information in Chapter 3 of this document and provides a detailed description of the following components used with the Motorola Assembler:

- Special characters significant to the assembler
- Assembler directives
- Structure control statements

C.2 Assembler Significant Characters

Several one- and two-character sequences are significant to the assembler. The following subsections define these characters and their use.

C.2.1 ; Comment Delimiter Character

Any number of characters preceded by a semicolon (;), but not part of a literal string, is considered a comment. Comments are not significant to the assembler, but you can use them to document the source program. Comments are reproduced in the assembler output listing. Comments are normally preserved in macro definitions, but this option can be turned off. (See the OPT directive.)

Comments can occupy an entire line or can be placed after the last assembler-significant field in a source statement. A comment starting in the first column of the source file is aligned with the label field in the listing file. Otherwise, the comment is shifted right and aligned with the comment field in the listing file.

Example C-1. Example of Comment Delimiter

```

; THIS COMMENT BEGINS IN COLUMN 1 OF THE SOURCE FILE
LOOP      JSR      COMPUTE      ; THIS IS A TRAILING COMMENT
                                           ; THESE TWO COMMENTS ARE PRECEDED
                                           ; BY A TAB IN THE SOURCE FILE

```

C.2.2 ;; Unreported Comment Delimiter Characters

Unreported comments are any number of characters preceded by two consecutive semicolons (;;) that are not part of a literal string. Unreported comments are not considered significant by the assembler and can be included in the source statement, following the same rules as normal comments. However, unreported comments are never reproduced on the assembler output listing and are never saved as part of macro definitions.

Example C-2. Example of Unreported Comment Delimiter

```
;; THESE LINES WILL NOT BE REPRODUCED  
;; IN THE SOURCE LISTING
```

C.2.3 \ Line Continuation or Macro Argument Concatenation Character

The following subsections define how the \ character can be used in two different instances.

C.2.3.1 Line Continuation

The backslash character (\), if used as the last character on a line, indicates to the assembler that the source statement continues on the following line. The continuation line is concatenated to the previous line of the source statement, and the result is processed by the assembler as if it were a single-line source statement. The maximum source statement length (the first line and any continuation lines) is 512 characters.

Example C-3. Example of Line Continuation Character

```
; THIS COMMENT \  
EXTENDS OVER \  
THREE LINES
```

C.2.3.2 Macro Argument Concatenation

The backslash (\) is also used to cause the concatenation of a macro dummy argument with other adjacent alphanumeric characters. For the macro processor to recognize dummy arguments, they must normally be separated from other alphanumeric characters by a non-symbol character. However, sometimes it is desirable to concatenate the argument characters with other characters. If an argument is to be concatenated in front of or behind some other symbol characters, then it must be followed by or preceded by the backslash, respectively.

Example C-4. Example of Macro Concatenation

Suppose the source input file contained the following macro definition:

```
SWAP_REG    MACRO      REG1,REG2 ;swap REG1,REG2 using D4.L as temp
            MOVE      R\REG1,D4.L
            MOVE      R\REG2,R\REG1
            MOVE      D4.L,R\REG2
            ENDM
```

The concatenation operator (\) indicates to the macro processor that the substitution characters for the dummy arguments are to be concatenated in both cases with the character R. If this macro were called with the statement,

```
SWAP_REG    0,1
```

the resulting expansion would be as follows:

```
MOVE      R0,D4.L
MOVE      R1,R0
MOVE      D4.L,R1
```

C.2.4 ? Return Value of Symbol Character

The ?<symbol> sequence, when used in macro definitions, is replaced by an ASCII string representing the value of <symbol>. This operator may be used in association with the backslash (\) operator. The value of <symbol> must be an integer (not floating point).

Example C-5. Example of Use of Return Value Character

Consider the following macro definition

```
SWAP_SYM    MACRO      REG1,REG2 ;swap REG1,REG2 using D4.L as temp
            MOVE      R\?REG1,D4.L
            MOVE      R\?REG2,R\?REG1
            MOVE      D4.L,R\?REG2
            ENDM
```

If the source file contained the following SET statements and macro call,

```
AREG        SET        0
BREG        SET        1
            SWAP_SYM    AREG,BREG
```

the resulting expansion would appear as follows on the source listing:

```
MOVE      R0,D4.L
MOVE      R1,R0
MOVE      D4.L,R1
```

C.2.5 % Return Hex Value of Symbol Character

The %<symbol> sequence, when used in macro definitions, is replaced by an ASCII string representing the hexadecimal value of <symbol>. This operator may be used in association with the backslash (\) operator. The value of <symbol> must be an integer (not floating point).

Example C-6. Example of Return Hex Value Symbol Character

Consider the following macro definition:

```
GEN LAB      MACRO      LAB, VAL, STMT
LAB\%VAL     STMT
             ENDM
```

If this macro were called as follows,

```
NUM          SET        10
             GEN_LABEL  HEX, NUM, 'NOP'
```

the resulting expansion would appear as follows in the listing file:

```
HEXA        NOP
```

C.2.6 ^ Macro Local Label Override

The circumflex (^), when used as a unary expression operator in a macro expansion, causes any local labels in its associated term to be evaluated at normal scope rather than macro scope. This means that any underscore labels in the expression term following the circumflex will not be searched for in the macro local label list. The operator has no effect on normal labels or outside of a macro expansion. The circumflex operator is useful for passing local labels as macro arguments to be used as referents in the macro.

Note: The circumflex is also used as the binary exclusive OR operator.

Example C-7. Example of Local Label Override Character

Consider the following macro definition:

```
LOAD        MACRO      ADDR
             MOVE      P: ^ADDR, R0
             ENDM
```

If this macro were called as follows,

```
_LOCAL
LOAD        _LOCAL
```

the assembler would ordinarily issue an error since _LOCAL is not defined within the body of the macro. With the override operator the assembler recognizes the _LOCAL symbol outside the macro expansion and uses that value in the MOVE instruction.

C.2.7 " Macro String Delimiter or Quoted String DEFINE Expansion Character

The following subsections define how the " character can be used in two different instances.

C.2.7.1 Macro String

The double quote ("), when used in macro definitions, is transformed by the macro processor into the string delimiter, the single quote ('). The macro processor examines the characters between the double quotes for any macro arguments. This mechanism allows the use of macro arguments as literal strings.

Example C-8. Example of a Macro String Delimiter Character

Using the following macro definition,

```
CSTR      MACRO      STRING
           DC          "STRING"
           ENDM
```

and a macro call,

```
CSTR      ABCD
```

the resulting macro expansion would be

```
DC          'ABCD'
```

C.2.7.2 Quoted String DEFINE Expansion

A sequence of characters which matches a symbol created with a DEFINE directive is not expanded if the character sequence is contained within a quoted string. Assembler strings generally are enclosed in single quotes ('). If the string is enclosed in double quotes (") then DEFINE symbols are expanded within the string. In all other respects, usage of double quotes is equivalent to that of single quotes.

Example C-9. Example of a Quoted String DEFINE Expression

Consider the source fragment below:

```
STR_MAC    DEFINE    LONG        'short'  
           MACRO    STRING  
           MSG      'This is a LONG STRING'  
           MSG      "This is a LONG STRING"  
           ENDM
```

If this macro were invoked as follows,

```
STR_MAC    sentence
```

then the resulting expansion would be as follows

```
MSG        'This is a LONG STRING'  
MSG        'This is a short sentence'
```

C.2.8 @ Function Delimiter

All assembler built-in functions start with the (@) symbol.

Example C-10. Example of a Function Delimiter Character

```
SVAL      EQ      @SQT(FVAL) ; OBTAIN SQUARE ROOT
```

C.2.9 * Location Counter Substitution

When used as an operand in an expression, the asterisk (*) represents the current integer value of the runtime location counter.

Example C-11. Example of a Location Counter Substitution

```
XBASE     ORG      X:$100  
          EQU      *+$20      ; XBASE = $120
```

C.2.10 ++ String Concatenation Operator

Any two strings can be concatenated with the string concatenation operator (++). The two strings must each be enclosed by single or double quotes, and there must be no intervening blanks between the string concatenation operator and the two strings.

Example C-12. Example of a String Concatenation Operator

```
'ABC' ++ 'DEF' = 'ABCDEF'
```

C.2.11 [] Substring Delimiter [<string>,<offset><length>]

Square brackets delimit a substring operation. The <string> argument is the source string. <offset> is the substring starting position within <string>. <length> is the length of the desired substring. <string> may be any legal string combination, including another substring. An error is issued if either <offset> or <length> exceed the length of <string>.

Example C-13. Example of a Substring Delimiter

```
DEFINE      ID          ['DSP56000',3,5]; ID = '56000'
```

C.2.12 << I/O Short Addressing Mode Force Operator

Many DSP instructions allow an I/O short form of addressing. If the value of an absolute address is known to the assembler on pass one, then the assembler will always pick the shortest form of addressing consistent with the instruction format. If the absolute address is not known to the assembler on pass one (that is, the address is a forward or external reference), then the assembler picks the long form of addressing by default. If this is not desired, then the I/O short form of addressing can be forced by preceding the absolute address by the I/O short addressing mode force operator (<<).

Example C-14. Example of an I/O Short Addressing Mode Force Operator

Since the symbol IOPORT is a forward reference in the following sequence of source lines, the assembler would pick the long absolute form of addressing by default:

```
IOPORT      BTST      #4, Y:IOPORT
            EQU       Y:$FFF3
```

Because the long absolute addressing mode would cause the instruction to be two words long instead of one word for the I/O short absolute addressing mode, it would be desirable to force the I/O short absolute addressing mode as shown below:

```
IOPORT      BTST      #4, Y:<<IOPORT
            EQU       Y:$FFF3
```

C.2.13 < Short Addressing Mode Force Operator

Many DSP instructions allow a short form of addressing. If the value of an absolute address is known to the assembler on pass one, or the FORCE SHORT directive is active, then the assembler will always pick the shortest form of addressing consistent with the instruction format. If the absolute address is not known to the assembler on pass one (that is, the address is a forward or external reference), then the assembler picks the long form of addressing by default. If this is not desired, then the short absolute form of addressing

can be forced by preceding the absolute address by the short addressing mode force operator (<).

Example C-15. Example of a Short Addressing Mode Force Operator

Since the symbol DATAST is a forward reference in the following sequence of source lines, the assembler would pick the long absolute form of addressing by default:

```
DATAST      MOVE      D0.L, Y:DATAST
            EQU       Y:$23
```

Because the long absolute addressing mode would cause the instruction to be two words long instead of one word for the short absolute addressing mode, it would be desirable to force the short absolute addressing mode as shown below:

```
DATAST      MOVE      D0.L, :<DATAST
            EQU       Y:$23
```

C.2.14 > Long Addressing Mode Force Operator

Many DSP instructions allow a long form of addressing. If the value of an absolute address is known to the assembler on pass one, then the assembler will always pick the shortest form of addressing consistent with the instruction format, unless the FORCE LONG directive is active. If this is not desired, then the long absolute form of addressing can be forced by preceding the absolute address by the long addressing mode force operator (>).

Example C-16. Example of a Long Addressing Mode Force Operator

Since the symbol DATAST is not a forward reference in the following sequence of source lines, the assembler would pick the short absolute form of addressing:

```
DATAST      EQU       Y:$23
            MOVE      D0.L, Y:DATAST
```

If this is not desirable, then the long absolute addressing mode can be forced as shown below:

```
DATAST      EQU       Y:$23
            MOVE      D0.L, Y:>DATAST
```

C.2.15 # Immediate Addressing Mode

The pound sign (#) is used to indicate to the assembler to use the immediate addressing mode.

Example C-17. Example of Immediate Addressing Mode

CNST	EQU	\$5
	MOVE	#CNST, D0.L

C.2.16 #< Immediate Short Addressing Mode Force Operator

Many DSP instructions allow a short immediate form of addressing. If the immediate data is known to the assembler on pass one (not a forward or external reference) or the FORCE SHORT directive is active, then the assembler will always pick the shortest form of immediate addressing consistent with the instruction. If the immediate data is a forward or external reference, then the assembler picks the long form of immediate addressing by default. If this is not desired, then the short form of addressing can be forced using the immediate short addressing mode force operator (#<).

Example C-18. Example of Immediate Short Addressing Mode Force Operator

In the following sequence of source lines, the symbol CNST is not known to the assembler on pass one, and therefore, the assembler would use the long immediate addressing form for the MOVE instruction.

	MOVE	#CNST, D0.L
CNST	EQU	\$5

Because the long immediate addressing mode makes the instruction two words long instead of one word for the immediate short addressing mode, it may be desirable to force the immediate short addressing mode as shown below:

	MOVE	#<CNST, D0.L
CNST	EQU	\$5

C.2.17 #> Immediate Long Addressing Mode Force Operator

Many DSP instructions allow a long immediate form of addressing. If the immediate data is known to the assembler on pass one (not a forward or external reference), then the assembler will always pick the shortest form of immediate addressing consistent with the instruction, unless the FORCE LONG directive is active. If this is not desired, then the long form of addressing can be forced using the immediate long addressing mode force operator (#>).

Example C-19. Example of an Immediate Long Addressing Mode Operator

In the following sequence of source lines, the symbol CNST is known to the assembler on pass one, and therefore, the assembler would use the short immediate addressing form for the MOVE instruction.

```
CNST      EQU      $5
          MOVE     #CNST, D0.L
```

If this is not desirable, then the long immediate form of addressing can be forced as shown below:

```
CNST      EQU      $5
          MOVE     #>CNST, D0.L
```

C.3 Assembler Directives

The following subsections define each directive and its use.

C.3.1 BADDR Set Buffer Address

```
BADDR      <M | R>, <expression>
```

The BADDR directive sets the runtime location counter to the address of a buffer of the given type, the length of which in words is equal to the value of <expression>. The buffer type may be either modulo or reverse-carry. If the runtime location counter is not zero, this directive first advances the runtime location counter to a base address that is a multiple of 2^k , where $2^k \geq \text{<expression>}$. An error is issued if there is insufficient memory remaining to establish a valid base address. Unlike other buffer allocation directives, the runtime location counter is not advanced by the value of the integer expression in the operand field; the location counter remains at the buffer base address. The block of memory intended for the buffer is not initialized to any value.

The result of <expression> may have any memory space attribute but must be an absolute integer greater than zero and cannot contain any forward references (symbols that have not yet been defined). If a modulo buffer is specified, the expression must fall within the range $2 \leq \text{<expression>} \leq m$, where m is the maximum address of the target DSP. If a reverse-carry buffer is designated and <expression> is not a power of two, a warning is issued. A label is not allowed with this directive.

Note: See also BSM, BSB, BUFFER, DSM, DSR.

Example C-20. Example BADDR Directive

```
M_BUF      ORG      X:$100
          BADDR     M, 24      ; CIRCULAR BUFFER MOD 24
```

C.3.2 BSB Block Storage Bit-Reverse

```
[<label>] BSB <expression> [, <expression>]
```

The BSB directive causes the assembler to allocate and initialize a block of words for a reverse-carry buffer. The number of words in the block is given by the first expression, which must evaluate to an absolute integer. Each word is assigned the initial value of the second expression. If there is no second expression, an initial value of zero is assumed. If the runtime location counter is not zero, this directive first advances the runtime location counter to a base address that is a multiple of 2^k , where 2^k is greater than or equal to the value of the first expression. An error will occur if the first expression contains symbols that are not yet defined (forward references) or if the expression has a value of less than or equal to zero. Also, if the first expression is not a power of two a warning is generated. Both expressions can have any memory space attribute.

<label>, if present, is assigned the value of the runtime location counter after a valid base address has been established.

Only one word of object code is shown on the listing, regardless of how large the first expression is. However, the runtime location counter is advanced by the number of words generated.

Note: See also BSC, BSM, DC.

Example C-21. Buffer Directive

```
BUFFER BSB BUFSIZ ; INITIALIZE BUFFER TO ZEROS
```

C.3.3 BSC Block Storage of Constant

```
[<label>] BSC <expression> [, <expression>]
```

The BSC directive causes the assembler to allocate and initialize a block of words. The number of words in the block is given by the first expression, which must evaluate to an absolute integer. Each word is assigned the initial value of the second expression. If there is no second expression, an initial value of zero is assumed. If the first expression contains symbols that are not yet defined (forward references) or if the expression has a value of less than or equal to zero, an error is generated. Both expressions can have any memory space attribute.

<label>, if present, is assigned the value of the runtime location counter at the start of the directive processing.

Only one word of object code is shown on the listing, regardless of how large the first expression is. However, the runtime location counter is advanced by the number of words generated.

Note: See also BSM, BSB, DC.

Example C-22. Block Storage of Constant Directive

```
UNUSED      BSC          $2FFF-@LCV(R) , $FFFFFFF;  FILL  UNUSED  EPROM
```

C.3.4 BSM Block Storage Modulo

```
[<label>]   BSM          <expression> [, <expression>]
```

The BSM directive causes the assembler to allocate and initialize a block of words for a modulo buffer. The number of words in the block is given by the first expression, which must evaluate to an absolute integer. Each word is assigned the initial value of the second expression. If there is no second expression, an initial value of zero is assumed. If the runtime location counter is not zero, this directive first advances the runtime location counter to a base address that is a multiple of 2^k , where 2^k is greater than or equal to the value of the first expression. An error will occur if the first expression contains symbols that are not yet defined (forward references), has a value of less than or equal to zero, or falls outside the range $2 \leq \text{expression} \leq m$, where m is the maximum address of the target DSP. Both expressions may have any memory space attribute.

<label>, if present, is assigned the value of the runtime location counter after a valid base address has been established.

Only one word of object code is shown on the listing, regardless of how large the first expression is. However, the runtime location counter is advanced by the number of words generated.

Note: See also BSC, BSB, DC.

Example C-23. Block Storage Modulo Directive

```
BUFFER      BSM          BUFSIZ, $FFFFFFF;  INITIALIZE  BUFFER  TO  ALL  ONES
```

C.3.5 BUFFER Start Buffer

```
BUFFER      <M | R>, <expression>
```

The BUFFER directive indicates the start of a buffer of the given type. Data is allocated for the buffer until an ENDBUF directive is encountered. Instructions and most data definition directives may appear between the BUFFER and ENDBUF pair, although BUFFER directives may not be nested and certain types of directives such as MODE, ORG, SECTION, and other buffer allocation directives may not be used. The <expression> represents the buffer size. If less data is allocated than the size of the buffer, the remaining buffer locations are uninitialized. If more data is allocated than the specified size of the buffer, an error is issued.

The BUFFER directive sets the runtime location counter to the address of a buffer of the given type, the length of which in words is equal to the value of <expression>. The buffer type may be either modulo or reverse-carry. If the runtime location counter is not zero, this directive first advances the runtime location counter to a base address that is a multiple of 2^k , where $2^k \geq \langle \text{expression} \rangle$. An error is issued if there is insufficient memory remaining to establish a valid base address. Unlike other buffer allocation directives, the runtime location counter is not advanced by the value of the integer expression in the operand field; the location counter remains at the buffer base address.

The result of <expression> may have any memory space attribute but must be an absolute integer greater than zero and cannot contain any forward references (symbols that have not yet been defined). If a modulo buffer is specified, the expression must fall within the range $2 \leq \langle \text{expression} \rangle \leq m$, where m is the maximum address of the target DSP. If a Reverse-carry buffer is designated and <expression> is not a power of two a warning is issued.

Note: A label is not allowed with this directive. See also BADDR, BSM, BSB, DSM, DSR, ENDBUF.

Example C-24. Buffer Directive

```

M_BUF  ORG      X:$100
        BUFFER   M,24      ; CIRCULAR BUFFER MOD 24
        DC      0.5,0.5,0.5,0.5
        DS      20        ; REMAINDER UNINITIALIZED
        ENDBUF
    
```

C.3.6 COBJ Comment Object File

```
COBJ    <string>
```

The COBJ directive is used to place a comment in the object code file. The <string> is put in the object file as a comment.

Note: A label is not allowed with this directive. See also IDENT.

Example C-25. COBM Directive

```
COBJ    'Start of filter coefficients'
```

C.3.7 COMMENT Start Comment Lines

```
COMMENT      <delimiter>
.
.
<delimiter>
```

The COMMENT directive is used to define one or more lines as comments. The first non-blank character after the COMMENT directive is the comment delimiter. The two delimiters are used to define the comment text. The line containing the second comment delimiter is considered the last line of the comment. The comment text can include any printable characters and the comment text is reproduced in the source listing as it appears in the source file.

Note: A label is not allowed with this directive.

Example C-26. COMMENT Directive

```
COMMENT      +      This is a one line comment +
COMMENT      *      This is a multiple line comment. Any
                   number of lines can be placed between the
                   two delimiters.
                   *
```

C.3.8 DC Define Constant

```
<label>]    DC      <arg> [, <arg>, . . . , <arg>]
```

The DC directive allocates and initializes a word of memory for each <arg> argument. <arg> may be a numeric constant, a single or multiple character string constant, a symbol, or an expression. The DC directive may have one or more arguments separated by commas. Multiple arguments are stored in successive address locations. If multiple arguments are present, one or more of them can be null (two adjacent commas), in which case the corresponding address location is filled with zeros. If the DC directive is used in L memory, the arguments are evaluated and stored as long word quantities. Otherwise, an error occurs if the evaluated argument value is too large to represent in a single DSP word.

<label>, if present, is assigned the value of the runtime location counter at the start of the directive processing.

Integer arguments are stored as is; floating point numbers are converted to binary values. Single and multiple character strings are handled in the following manner:

- Single character strings are stored in a word whose lower seven bits represent the ASCII value of the character.

Example C-27. Single Character String Definition

```
'R'          = $000052
```

- Multiple character strings represent words whose bytes are composed of concatenated sequences of the ASCII representation of the characters in the string (unless the NOPS option is specified; see the OPT directive). If the number of characters is not an even multiple of the number of bytes per DSP word, then the last word will have the remaining characters left aligned and the rest of the word is zero-filled. If the NOPS option is given, each character in the string is stored in a word whose lower seven bits represent the ASCII value of the character.

Example C-28. Multiple Character String Definition

```
'ABCD'      =          $414243
              $440000
```

Note: See also BSC, DCB.

Example C-29. DC Directive

```
TABLE      DC      1426, 253, $2662, 'ABCD'
CHARS      DC      'A', 'B', 'C', 'D'
```

C.3.9 DCB Define Constant Byte

```
[<label>]   DCB      <arg> [, <arg>, . . . , <arg>]
```

The DCB directive allocates and initializes a byte of memory for each <arg> argument. <arg> may be a byte integer constant, a single or multiple character string constant, a symbol, or a byte expression. The DCB directive may have one or more arguments separated by commas. Multiple arguments are stored in successive byte locations. If multiple arguments are present, one or more of them can be null (two adjacent commas), in which case the corresponding byte location is filled with zeros.

<label>, if present, is assigned the value of the runtime location counter at the start of the directive processing.

Integer arguments are stored as is but must be byte values (i.e., within the range 0–255); floating point numbers are not allowed. Single and multiple character strings are handled in the following manner:

- Single character strings are stored in a word whose lower seven bits represent the ASCII value of the character. (See Example C-27.)
- Multiple character strings represent words whose bytes are composed of concatenated sequences of the ASCII representation of the characters in the string (unless the NOPS option is specified; see the OPT directive). If the number of characters is not an even multiple of the number of bytes per DSP word, then the last word will have the remaining

characters left aligned and the rest of the word is zero-filled. If the NOPS option is given, each character in the string is stored in a word whose lower seven bits represent the ASCII value of the character.(See Example C-28.)

Note: See also BSC, DC.

Example C-30. DCB Directive

TABLE	DCB	'two',0,'strings',0
CHARS	DCB	'A','B','C','D'

C.3.10 DEFINE Define Substitution String

DEFINE <symbol> <string>

The DEFINE directive is used to define substitution strings that are used on all following source lines. All succeeding lines are searched for an occurrence of <symbol>, which is replaced by <string>. This directive is useful for providing better documentation in the source program. <symbol> must adhere to the restrictions for non-local labels. That is, it cannot exceed 512 characters, the first of which must be alphabetic, and the remainder of which must be either alphanumeric or the underscore(_). A warning results if a new definition of a previously defined symbol is attempted. The assembler output listing will show lines after the DEFINE directive has been applied and therefore redefined symbols are replaced by their substitution strings unless the NODXL option is in effect. See C.3.42, "OPT Assembler Options," on page C-34

Macros represent a special case. DEFINE directive translations are applied to the macro definition as it is encountered. When the macro is expanded any active DEFINE directive translations are applied again.

DEFINE directive symbols that are defined within a section will only apply to that section. See the SECTION directive.

Note: A label is not allowed with this directive. See also UNDEF.

Example C-31. DEFINE Directive

If the following DEFINE directive occurred in the first part of the source program:

```
DEFINE    ARRAYSIZ    '10 * SAMPLSIZ'
```

then the source line below:

```
DS        ARRAYSIZ
```

would be transformed by the assembler to the following:

```
DS        10 * SAMPLSIZ
```


C.3.11 DS Define Storage

```
[<label>] DS <expression>
```

The DS directive reserves a block of memory the length of which in words is equal to the value of <expression>. This directive causes the runtime location counter to be advanced by the value of the absolute integer expression in the operand field. <expression> can have any memory space attribute. The block of memory reserved is not initialized to any value. The expression must be an integer greater than zero and cannot contain any forward references (symbols that have not yet been defined).

<label>, if present, is assigned the value of the runtime location counter at the start of the directive processing.

Note: See also DSM, DSR.

Example C-32. DS Directive

```
S_BUF DS 12 ; SAMPLE BUFFER
```

C.3.12 DSM Define Modulo Storage

```
[<label>] DSM <expression>
```

The DSM directive reserves a block of memory the length of which in words is equal to the value of <expression>. If the runtime location counter is not zero, this directive first advances the runtime location counter to a base address that is a multiple of 2^k , where $2^k \geq \text{value of } \langle \text{expression} \rangle$. An error is issued if there is insufficient memory remaining to establish a valid base address. Next the runtime location counter is advanced by the value of the integer expression in the operand field. <expression> can have any memory space attribute. The block of memory reserved is not initialized to any given value. The result of <expression> must be an absolute integer greater than zero and cannot contain any forward references (symbols that have not yet been defined). The expression also must fall within the range:

$$2 \leq \langle \text{expression} \rangle \leq m,$$

where m is the maximum address of the target DSP.

<label>, if present, is assigned the value of the runtime location counter after a valid base address has been established.

Note: See also DS, DSR.

Example C-33. DSM Directive

```
M_BUF ORG X:$100
      DSM 24 ; CIRCULAR BUFFER MOD 24
```

C.3.13 DSR Define Reverse Carry Storage

```
[<label>]   DSR       <expression>
```

The DSR directive reserves a block of memory the length of which in words is equal to the value of <expression>. If the runtime location counter is not zero, this directive first advances the runtime location counter to a base address that is a multiple of 2^k , where $2^k \geq \text{<expression>}$. An error is issued if there is insufficient memory remaining to establish a valid base address. Next the runtime location counter is advanced by the value of the integer expression in the operand field. <expression> can have any memory space attribute. The block of memory reserved is not initialized to any given value. The result of <expression> must be an absolute integer greater than zero and cannot contain any forward references (symbols that have not yet been defined). Because the DSR directive is useful mainly for generating FFT buffers, a warning is generated if <expression> is not a power of two .

<label>, if present, is assigned the value of the runtime location counter after a valid base address has been established.

Note: See also DS, DSM.

Example C-34. DSR Directive

```
R_BUF      ORG      X:$100
            DSR      8          ; REVERSE CARRY BUFFER FOR 16 POINT FFT
```

C.3.14 DUP Duplicate Sequence of Source Lines

```
[<label>]   DUP       <expression>
            .
            .
            ENDM
```

The sequence of source lines between the DUP and ENDM directives is duplicated by the number specified by the integer <expression>. <expression> can have any memory space attribute. If the expression evaluates to a number less than or equal to zero, the sequence of lines will not be included in the assembler output. The expression result must be an absolute integer and cannot contain any forward references (symbols that have not already been defined). The DUP directive may be nested to any level.

<label>, if present, is assigned the value of the runtime location counter at the start of the DUP directive processing.

Note: See also DUPA, DUPC, DUPF, ENDM, MACRO.

Example C-35. DUP Directive

The sequence of source input statements,

```
COUNT      SET          3
           DUP          COUNT      ; ASR BY COUNT
           ASR          DO
           ENDM
```

would generate the following in the source listing:

```
COUNT      SET          3
           DUP          COUNT      ; ASR BY COUNT
           ASR          DO
           ASR          DO
           ASR          DO
           ENDM
```

Note that the lines

```
           DUP          COUNT      ;ASR BY COUNT
           ENDM
```

will only be shown on the source listing if the MD option is enabled. The lines

```
           ASR          DO
           ASR          DO
           ASR          DO
```

will only be shown on the source listing if the MEX option is enabled.

Note: See the OPT directive in this appendix for more information on the MD and MEX options.

C.3.15 DUPA Duplicate Sequence With Arguments

```
[<label>]  DUPA          <dummy>, <arg> [<, <arg>, . . . , <arg>]
           .
           .
           ENDM
```

The block of source statements defined by the DUPA and ENDM directives are repeated for each argument. For each repetition, every occurrence of the dummy parameter within the block is replaced with each succeeding argument string. If the argument string is a null, then the block is repeated with each occurrence of the dummy parameter removed. If an argument includes an embedded blank or other assembler-significant character, it must be enclosed with single quotes.

<label>, if present, is assigned the value of the runtime location counter at the start of the DUPA directive processing.

Note: See also DUP, DUPC, DUPF, ENDM, MACRO.

Example C-36. DUPA Directive

If the input source file contained the following statements,

```
DUPA      VALUE, 12, 32, 34
DC        VALUE
ENDM
```

then the assembled source listing would show

```
DUPA      VALUE, 12, 32, 34
DC        12
DC        32
DC        34
ENDM
```

Note that the lines

```
DUPA      VALUE, 12, 32, 34
ENDM
```

will only be shown on the source listing if the MD option is enabled. The lines

```
DC        12
DC        32
DC        34
```

will only be shown on the source listing if the MEX option is enabled.

Note: See the OPT directive in this appendix for more information on the MD and MEX options.

C.3.16 DUPC Duplicate Sequence With Characters

```
[<label>]  DUPC      <dummy>, <string>
           .
           .
           ENDM
```

The block of source statements defined by the DUPC and ENDM directives are repeated for each character of <string>. For each repetition, every occurrence of the dummy parameter within the block is replaced with each succeeding character in the string. If the string is null, then the block is skipped.

<label>, if present, is assigned the value of the runtime location counter at the start of the DUPC directive processing.

Note: See also DUP, DUPA, DUPF, ENDM, MACRO.

Example C-37. DUPC Directive

If input source file contained the following statements,

```
DUPC      VALUE, '123'
DC        VALUE
ENDM
```

then the assembled source listing would show:

```
DUPC      VALUE, '123'
DC        1
DC        2
DC        3
ENDM
```

Note that the lines

```
DUPC      VALUE, '123'
ENDM
```

will only be shown on the source listing if the MD option is enabled. The lines

```
DC        1
DC        2
DC        3
```

will only be shown on the source listing if the MEX option is enabled.

Note: See the OPT directive in this appendix for more information on the MD and MEX options.

C.3.17 DUPF Duplicate Sequence in Loop

```
[<label>]  DUPF      <dummy>, [<start>], <end> [, <increment>]
           .
           .
           ENDM
```

The block of source statements defined by the DUPF and ENDM directives are repeated in general $(\langle \text{end} \rangle - \langle \text{start} \rangle + 1)$ times when $\langle \text{increment} \rangle$ is 1. $\langle \text{start} \rangle$ is the starting value for the loop index; $\langle \text{end} \rangle$ represents the final value. $\langle \text{increment} \rangle$ is the increment for the loop index; it defaults to 1 if omitted (as does the $\langle \text{start} \rangle$ value). The $\langle \text{dummy} \rangle$ parameter holds the loop index value and may be used within the body of instructions.

$\langle \text{label} \rangle$, if present, is assigned the value of the runtime location counter at the start of the DUPF directive processing.

Note: See also DUP, DUPA, DUPC, ENDM, MACRO.

Example C-38. DUPF Directive

If input source file contained the following statements,

```
DUPF      NUM, 0, 7
MOVE     #0, R\NUM
ENDM
```

then the assembled source listing shows:

```
DUPF      NUM, 0, 7
MOVE     #0, R0
MOVE     #0, R1
MOVE     #0, R2
MOVE     #0, R3
MOVE     #0, R4
MOVE     #0, R5
MOVE     #0, R6
MOVE     #0, R7
ENDM
```

Note that the lines

```
DUPF      NUM, 0, 7
ENDM
```

are only shown on the source listing if the MD option is enabled. The lines

```
MOVE     #0, R0
MOVE     #0, R1
MOVE     #0, R2
MOVE     #0, R3
MOVE     #0, R4
MOVE     #0, R5
MOVE     #0, R6
MOVE     #0, R7
```

are only shown on the source listing if the MEX option is enabled.

Note: See the OPT directive in this appendix for more information on the MD and MEX options.

C.3.18 END End of Source Program

```
END      [<expression>]
```

The optional END directive indicates that the logical end of the source program has been encountered. Any statements following the END directive are ignored. The optional expression in the operand field can be used to specify the starting execution address of the

program. <expression> may be absolute or relocatable but must have a memory space attribute of Program or None. The END directive cannot be used in a macro expansion.

Note: A label is not allowed with this directive.

Example C-39. END Directive

```
END          BEGIN    ; BEGIN is the starting execution address
```

C.3.19 ENDBUF End Buffer

ENDBUF

The ENDBUF directive is used to signify the end of a buffer block. The runtime location counter will remain just beyond the end of the buffer when the ENDBUF directive is encountered.

Note: A label is not allowed with this directive. See also BUFFER.

Example C-40. ENDBUF Directive

```
BUF          ORG      X:$100
             BUFFER   R,64    ; uninitialized reverse-carry buffer
             ENDBUF
```

C.3.20 ENDIF End of Conditional Assembly

ENDIF

The ENDIF directive is used to signify the end of the current level of conditional assembly. Conditional assembly directives can be nested to any level, but the ENDIF directive always refers to the most previous IF directive.

Note: A label is not allowed with this directive. (See C.3.31, "IF Conditional Assembly Directive," on page C-28.)

Example C-41. ENDIF Directive

```
SAVEPC      IF      @REL ( )
             SET     *      ; Save current program counter
             ENDF
```

C.3.21 ENDM End of Macro Definition

ENDM

Every MACRO, DUP, DUPA, and DUPC directive must be terminated by an ENDM directive.

Note: A label is not allowed with this directive. See also DUP, DUPA, DUPC, MACRO.

Example C-42. ENDM Directive

```

SWAP_SYM  MACRO      REG1,REG   ;swap REG1,REG2 using D4.L as temp
           MOVE      R\?REG1,D4.L
           MOVE      R\?REG2,R\?REG1
           MOVE      D4.L,R\?REG2
           ENDM
    
```

C.3.22 ENDSEC End Section

ENDSEC

Every SECTION directive must be terminated by an ENDSEC directive.

Note: A label is not allowed with this directive. See also SECTION.

Example C-43. ENDSEC Directive

```

           SECTION    COEFF
           ORG        Y:
VALUES     BSC        $100      ; Initialize to zero
           ENDSEC
    
```

C.3.23 EQU Equate Symbol to a Value

<label> EQU [{X: | Y: | L: | P: | E:}]<expression>

The EQU directive assigns the value and memory space attribute of <expression> to the symbol <label>. If <expression> has a memory space attribute of None, then it can optionally be preceded by any of the indicated memory space qualifiers to force a memory space attribute. An error will occur if the expression has a memory space attribute other than None and it is different than the forcing memory space attribute. The optional forcing memory space attribute is useful to assign a memory space attribute to an expression that consists only of constants but is intended to refer to a fixed address in a memory space.

The EQU directive is one of the directives that assigns a value other than the program counter to the label. The label cannot be redefined anywhere else in the program (or section, if SECTION directives are being used). The <expression> may be relative or absolute but cannot include a symbol that is not yet defined (no forward references are allowed).

Note: See also SET.

Example C-44. EQU Directive

```
A_D_PORT    EQU        X:$4000
```

This assigns the value \$4000 with a memory space attribute of **X** to the symbol **A_D_PORT**.

```
COMPUTE    EQU        @LCV(L)
```

@LCV(L) is used to refer to the value and memory space attribute of the load location counter. This value and memory space attribute is assigned to the symbol **COMPUTE**.

C.3.24 EXITM Exit Macro

```
EXITM
```

The **EXITM** directive will cause immediate termination of a macro expansion. It is useful when used with the conditional assembly directive **IF** to terminate macro expansion when error conditions are detected.

Note: A label is not allowed with this directive. See also **DUP**, **DUPA**, **DUPC**, **MACRO**.

Example C-45. EXITM Directive

```
CALC        MACRO      XVAL, YVAL
              IF        XVAL<0
              FAIL      'Macro parameter value out of range'
              EXITM     ; Exit macro
              ENDF
              .
              .
              .
              ENDM
```

C.3.25 FAIL Programmer Generated Error

```
FAIL        [{<str>|<exp>} [, {<str>|<exp>}, . . . , {<str>|<exp>}]]
```

The **FAIL** directive will cause an error message to be output by the assembler. The total error count is incremented as with any other error. The **FAIL** directive is normally used in conjunction with conditional assembly directives for exceptional condition checking. The assembly proceeds normally after the error has been printed. An arbitrary number of strings and expressions, in any order but separated by commas with no intervening white space, can be specified optionally to describe the nature of the generated error.

Note: A label is not allowed with this directive. See also **MSG**, **WARN**.

Example C-46. FAIL Directive

```
FAIL      'Parameter out of range'
```

C.3.26 FORCE Set Operand Forcing Mode

```
FORCE      {SHORT | LONG | NONE}
```

The FORCE directive causes the assembler to force all immediate, memory, and address operands to the specified mode as if an explicit forcing operator were used. Note that if a relocatable operand value forced short is determined to be too large for the instruction word, an error will occur at link time, not during assembly. Explicit forcing operators override the effect of this directive.

Note: A label is not allowed with this directive. See also <, >, #<, #>.

Example C-47. FORCE Directive

```
FORCE      SHORT      ; force operands short
```

C.3.27 GLOBAL Global Section Symbol Declaration

```
GLOBAL      <symbol> [, <symbol>, . . . , <symbol>]
```

The GLOBAL directive is used to specify that the list of symbols is defined within the current section, and that those definitions should be accessible by all sections. This directive is only valid if used within a program block bounded by the SECTION and ENDSEC directives. If the symbols that appear in the operand field are not defined in the section, an error is generated.

Note: A label is not allowed with this directive. See also SECTION, XDEF, XREF.

Example C-48. GLOBAL Directive

```
SECTION IO
GLOBAL LOOPA ; LOOPA will be globally accessible by other sections
.
.
.
ENDSEC
```

C.3.28 GSET Set Global Symbol to a Value

```
<label>    GSET      <expression>
           GSET      <label>   <expression>
```

The GSET directive is used to assign the value of the expression in the operand field to the label. The GSET directive functions somewhat like the EQU directive. However, labels defined via the GSET directive can have their values redefined in another part of the program (but only through the use of another GSET or SET directive). The GSET

directive is useful for resetting a global SET symbol within a section, where the SET symbol would otherwise be considered local. The expression in the operand field of a GSET must be absolute and cannot include a symbol that is not yet defined. (No forward references are allowed.)

Note: See also EQU, SET.

Example C-49. GSET Directive

```
COUNT      GSET      0          ; INITIALIZE COUNT
```

C.3.29 HIMEM Set High Memory Bounds

```
HIMEM      <mem> [<rl>] :<expression> [, ...]
```

The HIMEM directive establishes an absolute high memory bound for code and data generation. <mem> corresponds to one of the DSP memory spaces (X, Y, L, P, E). <rl> is one of the letters R for runtime counter or L for load counter. The <expression> is an absolute integer value within the address range of the machine. If during assembly the specified location counter exceeds the value given by <expression>, a warning is issued.

Note: A label is not allowed with this directive. See also LOMEM.

Example C-50. HIMEM Directive

```
HIMEM      XR:$7FFF,YR:$7FFF    ; SET X/Y RUN HIGH MEM
BOUNDS
```

C.3.30 IDENT Object Code Identification Record

```
[<label>]  IDENT      <expression1>,<expression2>
```

The IDENT directive is used to create an identification record for the object module. If <label> is specified, it is used as the module name. If <label> is not specified, then the filename of the source input file is used as the module name. <expression1> is the version number; <expression2> is the revision number. The two expressions must each evaluate to an integer result. The comment field of the IDENT directive is also passed on to the object module.

Note: See also COBJ.

Example C-51. IDENT Directive

If the following line was included in the source file,

```
FFILTER    IDENT    1,2          ; FIR FILTER MODULE
```

then the object module identification record includes the module name (FFILTER), the version number (1), the revision number (2), and the comment field (; FIR FILTER MODULE).

C.3.31 IF Conditional Assembly Directive

```
IF          <expression>
.
.
[ELSE]     (the ELSE directive is optional)
.
.
ENDIF
```

Part of a program that is to be conditionally assembled must be bounded by an IF-ENDIF directive pair. If the optional ELSE directive are not present, then the source statements following the IF directive and up to the next ENDIF directive is included as part of the source file being assembled only if the <expression> has a nonzero result. If the <expression> has a value of zero, the source file is assembled as if those statements between the IF and the ENDIF directives were never encountered. If the ELSE directive is present and <expression> has a nonzero result, then the statements between the IF and ELSE directives are assembled, and the statements between the ELSE and ENDIF directives are skipped. Alternatively, if <expression> has a value of zero, then the statements between the IF and ELSE directives are skipped, and the statements between the ELSE and ENDIF directives are assembled.

The <expression> must have an absolute integer result and is considered true if it has a nonzero result. The <expression> is false only if it has a result of zero. Because of the nature of the directive, <expression> must be known on pass one (no forward references allowed). IF directives can be nested to any level. The ELSE directive will always refer to the nearest previous IF directive as will the ENDIF directive.

Note: A label is not allowed with this directive. See also ENDIF.

Example C-52. IF Directive

```

IF          @LST>0
DUP        @LST          ; Unwind LIST directive stack
NOLIST
ENDM
ENDIF

```

C.3.32 INCLUDE Include Secondary File

```
INCLUDE <string> | <<string>>
```

This directive is inserted into the source program at any point where a secondary file is to be included in the source input stream. The string specifies the filename of the secondary file. The filename must be compatible with the operating system and can include a directory specification. If no extension is given for the filename, a default extension of .ASM is supplied.

The file is searched for first in the current directory, unless the <<string>> syntax is used, or in the directory specified in <string>. If the file is not found, and the -I option was used on the command line that invoked the assembler, then the string specified with the -I option is prefixed to <string> and that directory is searched. If the <<string>> syntax is given, the file is searched for only in the directories specified with the -I option.

Note: A label is not allowed with this directive. See also MACLIB.

Example C-53. INCLUDE Directive

```

INCLUDE 'headers/io.asm'; Unix example
INCLUDE 'storage\mem.asm'; MS-DOS example
INCLUDE <data.asm>      ; Do not look in current directory

```

C.3.33 LIST List the Assembly

```
LIST
```

Print the listing from this point on. The LIST directive is not printed, but the subsequent source lines are output to the source listing. The default is to print the source listing. If the IL option has been specified, the LIST directive has no effect when encountered within the source program.

The LIST directive actually increments a counter that is checked for a positive value and is symmetrical with respect to the NOLIST directive.

Note the following sequence:

```

; Counter value currently 1
LIST           ; Counter value = 2
LIST           ; Counter value = 3
NOLIST        ; Counter value = 2
NOLIST        ; Counter value = 1
    
```

The listing still would not be disabled until another NOLIST directive was issued.

Note: A label is not allowed with this directive. See also NOLIST, OPT.

Example C-54. LIST Directive

```

IF           LISTON
LIST           ; Turn the listing back on
ENDIF
    
```

C.3.34 LOCAL Local Section Symbol Declaration

```

LOCAL      <symbol> [, <symbol>, ..., <symbol>]
    
```

The LOCAL directive is used to specify that the list of symbols is defined within the current section, and that those definitions are explicitly local to that section. It is useful in cases where a symbol is used as a forward reference in a nested section where the enclosing section contains a like-named symbol. This directive is only valid if used within a program block bounded by the SECTION and ENDSEC directives. The LOCAL directive must appear before <symbol> is defined in the section. If the symbols that appear in the operand field are not defined in the section, an error is generated.

Note: A label is not allowed with this directive. See also SECTION, XDEF, XREF.

Example C-55. LOCAL Directives

```

SECTION      IO
LOCAL        LOOPA      ; LOOPA local to this section
.
.
.
ENDSEC
    
```

C.3.35 LOMEM Set Low Memory Bounds

```

LOMEM      <mem> [<rl>] :<expression> [, ...]
    
```

The LOMEM directive establishes an absolute low memory bound for code and data generation. <mem> corresponds to one of the DSP memory spaces (X, Y, L, P, E). <rl> is one of the letters R for runtime counter or L for load counter. The <expression> is an absolute integer value within the address range of the machine. If during assembly the

specified location counter falls below the value given by <expression>, a warning is issued.

Note: A label is not allowed with this directive. See also HIMEM.

Example C-56. LOMEM Directive

```
LOMEM          XR:$100,YR:$100; SET X/Y RUN LOW MEM BOUNDS
```

C.3.36 LSTCOL Set Listing Field Widths

```
LSTCOL  [<labw>[,<opcw>[,<oprw>[,<opc2w>[,<opr2w>[,<xw>[,<yw>]]]]]]]
```

Sets the width of the output fields in the source listing. Widths are specified in terms of column positions. The starting position of any field is relative to its predecessor except for the label field, which always starts at the same position relative to page left margin, program counter value, and cycle count display. The widths may be expressed as any positive absolute integer expression. However, if the width is not adequate to accommodate the contents of a field, the text is separated from the next field by at least one space.

Any field for which the default is desired may be null. A null field can be indicated by two adjacent commas with no intervening space or by omitting any trailing fields altogether. If the LSTCOL directive is given with no arguments all field widths are reset to their default values.

Note: A label is not allowed with this directive. See also PAGE.

Example C-57. LSTCOL Directive

```
LSTCOL  40,,,,,20,20; Reset label, X, and Y data field widths
```

C.3.37 MACLIB Macro Library

```
MACLIB  <pathname>
```

This directive is used to specify the <pathname> (as defined by the operating system) of a directory that contains macro definitions. Each macro definition must be in a separate file, and the file must be named the same as the macro with the extension .ASM added. For example, BLOCKMV.ASM would be a file that contained the definition of the macro called BLOCKMV.

If the assembler encounters a directive in the operation field that is not contained in the directive or mnemonic tables, the directory specified by <pathname> is searched for a file of the unknown name (with the .ASM extension added). If such a file is found, the current source line is saved, and the file is opened for input as an INCLUDE file. When the end of the file is encountered, the source line is restored and processing is resumed. Because the

source line is restored, the processed file must have a macro definition of the unknown directive name or else an error will result when the source line is restored and processed. However, the processed file is not limited to macro definitions and can include any legal source code statements.

Multiple MACLIB directives may be given, in which case the assembler will search each directory in the order in which it is encountered.

Note: A label is not allowed with this directive. See also INCLUDE.

Example C-58. MACLIB Directive

```
MACLIB 'macros\mymacs\'; IBM PC example
MACLIB 'fftlib/' ; UNIX example
```

C.3.38 MACRO Macro Definition

```
<label>    MACRO      [<dummy argument list>]
            .
            .
            <macro definition statements>
            .
            .
            ENDM
```

The dummy argument list has the following form

```
[<dumarg> [, <dumarg>, . . . , <dumarg>]]
```

The required label is the symbol by which the macro is called. If the macro is named the same as an existing assembler directive or mnemonic, a warning is issued. This warning can be avoided with the RDIRECT directive.

The definition of a macro consists of three parts: the header, which assigns a name to the macro and defines the dummy arguments; the body, which consists of prototype or skeleton source statements; and the terminator. The header is the MACRO directive, its label, and the dummy argument list. The body contains the pattern of standard source statements. The terminator is the ENDM directive.

The dummy arguments are symbolic names that the macro processor replaces with arguments when the macro is expanded (called). Each dummy argument must obey the same rules as symbol names. Dummy argument names that are preceded by an underscore are not allowed. Within each of the three dummy argument fields, the dummy arguments are separated by commas. The dummy argument fields are separated by one or more blanks.

Macro definitions may be nested but the nested macro is not defined until the primary macro is expanded.

Note: See also DUP, DUPA, DUPE, DUPF, ENDM.

Example C-59. MACRO Directive

```
SWAP_SYM  MACRO      REG1,REG2  ;swap REG1,REG2 using X0 as temp
           MOVE      R\?REG1,X0
           MOVE      R\?REG2,R\?REG1
           MOVE      X0,R\?REG2
           ENDM
```

C.3.39 MODE Change Relocation Mode

MODE <ABS [OLUTE] | REL [ATIVE] >

The MODE directive causes the assembler to change to the designated operational mode. This directive may be given at any time in the assembly source to alter the set of location counters used for section addressing. Code generated while in absolute mode is placed in memory at the location determined during assembly. Relocatable code and data are based from the enclosing section start address. The MODE directive has no effect when the command line -A option is issued.

Note: A label is not allowed with this directive. See also ORG.

Example C-60. MODE Directive

```
MODE      ABS          ; Change to absolute mode
```

C.3.40 MSG Programmer Generated Message

```
MSG  [{<str>|<exp>} [, {<str>|<exp>} , . . . , {<str>|<exp>} ] ]
```

The MSG directive causes a message to be output by the assembler. The error and warning counts are not affected. The MSG directive is normally used in conjunction with conditional assembly directives for informational purposes. The assembly proceeds normally after the message has been printed. An arbitrary number of strings and expressions, in any order but separated by commas with no intervening white space, can be specified optionally to describe the nature of the message.

Note: A label is not allowed with this directive. See also FAIL, WARN.

Example C-61. MSG Directive

```
MSG      'Generating sine tables'
```

C.3.41 NOLIST Stop Assembly Listing

NOLIST

Do not print the listing from this point on (including the NOLIST directive). Subsequent source lines will not be printed.

The NOLIST directive actually decrements a counter that is checked for a positive value and is symmetrical with respect to the LIST directive. Note the following sequence:

```

; Counter value currently 1
LIST                ; Counter value = 2
LIST                ; Counter value = 3
NOLIST              ; Counter value = 2
NOLIST              ; Counter value = 1
    
```

The listing still is not disabled until another NOLIST directive is issued.

Note: A label is not allowed with this directive. See also LIST, OPT.

Example C-62. NOLIST Directive

```

IF          LISTOFF
NOLIST                ; Turn the listing off
ENDIF
    
```

C.3.42 OPT Assembler Options

OPT <option> [, <option>, ..., <option>] [<comment>]

The OPT directive is used to designate the assembler options. Assembler options are given in the operand field of the source input file and are separated by commas. Options also may be specified using the command line -O option. All options have a default condition. Some options are reset to their default condition at the end of pass one. Some are allowed to have the prefix NO attached to them, which then reverses their meaning.

Note: A label is not allowed with this directive.

Options can be grouped by function into five different types:

- Listing format control
- Reporting options
- Message control
- Symbol options
- Assembler operation

C.3.42.1 Listing Format Control

The following options control the format of the listing file.

FC	Fold trailing comments
FF	Form feeds for page ejects
FM	Format messages
PP	Pretty print listing
RC	Relative comment spacing

C.3.42.2 Reporting Options

The following options control what is reported in the listing file.

CEX	Print DC expansions
CL	Print conditional assembly directives
CRE	Print symbol cross-reference
DXL	Expand DEFINE directive strings in listing
HDR	Generate listing headers
IL	Inhibit source listing
LOC	Print local labels in cross-reference
MC	Print macro calls
MD	Print macro definitions
MEX	Print macro expansions
MU	Print memory utilization report
NL	Print conditional assembly and section nesting levels
S	Print symbol table
U	Print skipped conditional assembly lines

C.3.42.3 Message Control

The following options control the types of assembler messages that are generated.

AE	Check address expressions
MSW	Warn on memory space incompatibilities
UR	Flag unresolved references
W	Display warning messages

C.3.42.4 Symbol Options

The following options deal with the handling of symbols by the assembler.

DEX	Expand DEFINE symbols within quoted strings
IC	Ignore case in symbol names
NS	Support symbol scoping in nested sections
SCL	Scope structured control statement labels
SCO	Structured control statement labels to listing/object file
SO	Write symbols to object file
XLL	Write local labels to object file
XR	Recognize XDEFed symbols without XREF

C.3.42.5 Assembler Operation

The following are miscellaneous options having to do with internal assembler operation.

CC	Enable cycle counts
CK	Enable checksumming
CM	Preserve comment lines within macros
CONST	Make EQU symbols assembly time constants
CONTCK	Continue checksumming
DLD	Do not restrict directives in loops
GL	Make all section symbols global
GS	Make all sections global static
INTR	Perform interrupt location checks
LB	Byte increment load counter
LDB	Listing file debug
MI	Scan MACLIB directories for include files
PS	Pack strings
PSM	Programmable short addressing mode
RP	Generate NOP to accommodate pipeline delay
RSV	Check reserve data memory locations
SI	Interpret short immediate as long or sign extended
SVO	Preserve object file on errors

Following are descriptions of the individual options. The parenthetical inserts specify default if the option is the default condition and reset if the option is reset to its default state at the end of pass one.

- AE** (default, reset) Check address expressions for appropriate arithmetic operations. For example, this will check that only valid add or subtract operations are performed on address terms.
- CC** Enable cycle counts and clear total cycle count. Cycle counts are shown on the output listing for each instruction. Cycle counts assume a full instruction fetch pipeline and no wait states.
- CEX** Print DC expansions.
- CK** Enable checksumming of instruction and data values and clear cumulative checksum. The checksum value can be obtained using the @CHK() function.
- CL** (default, reset) Print the conditional assembly directives.
- CM** (default, reset) Preserve comment lines of macros when they are defined. Note that any comment line within a macro definition that starts with two consecutive semicolons (;;) is never preserved in the macro definition.
- CONST** EQU symbols are maintained as assembly time constants and will not be sent to the object file. This option, if used, must be specified before the first symbol in the source program is defined.
- CONTC** Reenable cycle counts. Does not clear total cycle counts. The cycle count for each instruction is shown on the output listing.
- CONTCK** Reenable checksumming of instructions and data. Does not clear cumulative checksum value.
- CRE** Print a cross reference table at the end of the source listing. This option, if used, must be specified before the first symbol in the source program is defined.
- DEX** Expand DEFINE symbols within quoted strings. Can also be done on a case-by-case basis using double-quoted strings.
- DLD** Do not restrict directives in DO loops. The presence of some directives in DO loops does not make sense, including some OPT directive variations. This option suppresses errors on particular directives in loops.
- DXL** (default, reset) Expand DEFINE directive strings in listing.

- FC** Fold trailing comments. Any trailing comments that are included in a source line are folded underneath the source line and aligned with the opcode field. Lines that start with the comment character are aligned with the label field in the source listing. The FC option is useful for displaying the source listing on 80 column devices.
- FF** Use form feeds for page ejects in the listing file.
- FM** Format assembler messages so that the message text is aligned and broken at word boundaries.
- GL** Make all section symbols global. This has the same effect as declaring every section explicitly GLOBAL. This option must be given before any sections are defined explicitly in the source file.
- GS** (default, reset in absolute mode) Make all sections global static. All section counters and attributes are associated with the GLOBAL section. This option must be given before any sections are defined explicitly in the source file.
- HDR** (default, reset) Generate listing header along with titles and subtitles.
- IC** Ignore case in symbol, section, and macro names. This directive must be issued before any symbols, sections, or macros are defined.
- IL** Inhibit source listing. This option will stop the assembler from producing a source listing.
- INTR** (default, reset in absolute mode) Perform interrupt location checks. Certain DSP instructions may not appear in the interrupt vector locations in program memory. This option enables the assembler to check for these instructions when the program counter is within the interrupt vector bounds.
- LB** Increment load counter (if different from runtime) by number of bytes in DSP word to provide byte-wide support for overlays in bootstrap mode. This option must appear before any code or data generation.
- LDB** Use the listing file as the debug source file rather than the assembly language file. The -L command line option to generate a listing file must be specified for this option to take effect.
- LOC** Include local labels in the symbol table and cross-reference listing. Local labels are not normally included in these listings. If neither the S or CRE options are specified, then this option has no effect. The LOC option must be specified before the first symbol is encountered in the source file.
- MC** (default, reset) Print macro calls.
- MD** (default, reset) Print macro definitions.

- MEX Print macro expansions.
- MI Scan MACLIB directory paths for include files. The assembler ordinarily looks for included files only in the directory specified in the INCLUDE directory or in the paths given by the -I command line option. If the MI option is used the assembler also looks for included files in any designated MACLIB directories.
- MSW (default, reset) Issue warning on memory space incompatibilities.
- MU Include a memory utilization report in the source listing. This option must appear before any code or data generation.
- NL Display conditional assembly (IF-ELSE-ENDIF) and section nesting levels on listing.
- NOAE Do not check address expressions.
- NOCC (default, reset) Disable cycle counts. Does not clear total cycle count.
- NOCEX (default, reset) Do not print DC expansions.
- NOCK (default, reset) Disable checksumming of instruction and data values.
- NOCL Do not print the conditional assembly directives.
- NOCM Do not preserve comment lines of macros when they are defined.
- NODEX (default, reset) Do not expand DEFINE symbols within quoted strings.
- NODLD (default, reset) Restrict use of certain directives in DO loop.
- NODXL Do not expand DEFINE directive strings in listing.
- NOFC (default, reset) Inhibit folded comments.
- NOFF (default, reset) Use multiple line feeds for page ejects in the listing file.
- NOFM (default, reset) Do not format assembler messages.
- NOGS (default, reset in relative mode) Do not make all sections global static.
- NOHDR Do not generate listing header. This also turns off titles and subtitles.
- NOINTR (default, reset in relative mode) Do not perform interrupt location checks.
- NOMC Do not print macro calls.
- NOMD Do not print macro definitions.
- NOMEX (default, reset) Do not print macro expansions.
- NOMI (default, reset) Do not scan MACLIB directory paths for include files.
- NOMSW Do not issue warning on memory space incompatibilities.
- NONL (default, reset) Do not display nesting levels on listing.

- NONS** Do not allow scoping of symbols within nested sections.
- NOPP** Do not pretty print listing file. Source lines are sent to the listing file as they are encountered in the source, with the exception that tabs are expanded to spaces and continuation lines are concatenated into a single physical line for printing.
- NOPS** Do not pack strings in DC directive. Individual bytes in strings are stored one byte per word.
- NORC** (default, reset) Do not space comments relatively.
- NORP** (default, reset) Do not generate instructions to accommodate pipeline delay.
- NOSCL** Do not maintain the current local label scope when a structured control statement label is encountered.
- NOU** (default, reset) Do not print the lines excluded from the assembly due to a conditional assembly directive.
- NOUR** (default, reset) Do not flag unresolved external references.
- NOW** Do not print warning messages.
- NS** (default, reset) Allow scoping of symbols within nested sections.
- PP** (default, reset) Pretty print listing file. The assembler attempts to align fields at a consistent column position without regard to source file formatting.
- PS** (default, reset) Pack strings in DC directive. Individual bytes in strings are packed into consecutive target words for the length of the string.
- RC** Space comments relatively in listing fields. By default, the assembler always places comments at a consistent column position in the listing file. This option allows the comment field to float: on a line containing only a label and opcode, the comment begins in the operand field.
- RP** Generate NOP instructions to accommodate pipeline delay. If an address register is loaded in one instruction then the contents of the register is not available for use as a pointer until after the next instruction. Ordinarily when the assembler detects this condition it issues an error message. The RP option will cause the assembler to output a NOP instruction into the output stream instead of issuing an error.
- S** Print symbol table at the end of the source listing. This option has no effect if the CRE option is used.

- SCL (default, reset) Structured control statements generate non-local labels that ordinarily are not visible to the programmer. This can create problems when local labels are interspersed among structured control statements. This option causes the assembler to maintain the current local label scope when a structured control statement label is encountered.
- SCO Send structured control statement labels to object and listing files. Normally the assembler does not externalize these labels. This option must appear before any symbol definition.
- SO Write symbol information to object file. This option is recognized but performs no operation in COFF assemblers.
- SVO Preserve object file on errors. Normally any object file produced by the assembler is deleted if errors occur during assembly. This option must be given before any code or data is generated.
- U Print the unassembled lines skipped due to failure to satisfy the condition of a conditional assembly directive.
- UR Generate a warning at assembly time for each unresolved external reference. This option works only in relocatable mode.
- W (default, reset) Print all warning messages.
- WEX Add warning count to exit status. Ordinarily the assembler exits with a count of errors. This option causes the count of warnings to be added to the error count.
- XLL Write underscore local labels to object file. This is primarily used to aid debugging. This option, if used, must be specified before the first symbol in the source program is defined.
- XR Causes XDEFed symbols to be recognized within other sections without being XREFed. This option, if used, must be specified before the first symbol in the source program is encountered.

Example C-63. OPT Directive

OPT	CEX,MEX	;	Turn on DC and macro expansions
OPT	CRE,MU	;	Cross reference, memory utilization

C.3.43 ORG Initialize Memory Space and Location Counters

```
ORG <rms> [<rlc>] [<rmp>] : [<exp1>] [, <lms> [<llc>] [<lmp>] : [<exp2>]]
ORG <rms> [<rmp>] [ (<rce>)] : [<exp1>] [, <lms> [<lmp>] [ (<lce>)] : [<exp2>]]
```

The ORG directive is used to specify addresses and to indicate memory space and mapping changes. It also can designate an implicit counter mode switch in the assembler and serves as a mechanism for initiating overlays.

Note: A label is not allowed with this directive.

The parameters used with the ORG directive are as follows

- <rms> Which memory space (X, Y, L, P, or E) is used as the runtime memory space. If the memory space is L, any allocated datum with a value greater than the target word size is extended to two words; otherwise, it is truncated. If the memory space is E, then depending on the memory space qualifier, any generated words are split into bytes, one byte per word, or a 16/8-bit combination.
- <rlc> Which runtime counter H, L, or default (if neither H or L is specified), that is associated with the <rms> is used as the runtime location counter.
- <rmp> Indicates the runtime physical mapping to DSP memory: I—internal, E—external, R—ROM, A—port A, B—port B. If not present, no explicit mapping is done.
- <rce> Non-negative absolute integer expression representing the counter number to be used as the runtime location counter. Must be enclosed in parentheses. Should not exceed the value 65535.
- <exp1> Initial value to assign to the runtime counter used as the <rlc>. If <exp1> is a relative expression the assembler uses the relative location counter. If <exp1> is an absolute expression the assembler uses the absolute location counter. If <exp1> is not specified, then the last value and mode that the counter had is used.
- <lms> Which memory space (X, Y, L, P, or E) is used as the load memory space. If the memory space is L, any allocated datum with a value greater than the target word size is extended to two words; otherwise, it is truncated. If the memory space is E, then depending on the memory space qualifier, any generated words are split into bytes, one byte per word, or a 16/8-bit combination.
- <llc> Which load counter, H, L, or default (if neither H or L is specified), that is associated with the <lms> is used as the load location counter.

- <imp> Indicates the load physical mapping to DSP memory: I—internal, E—external, R—ROM, A—port A, B—port B. If not present, no explicit mapping is done.
- <lce> Non-negative absolute integer expression representing the counter number to be used as the load location counter. Must be enclosed in parentheses. Should not exceed the value 65535.
- <exp2> Initial value to assign to the load counter used as the <llc>. If <exp2> is a relative expression the assembler uses the relative location counter. If <exp2> is an absolute expression the assembler uses the absolute location counter. If <exp2> is not specified, then the last value and mode that the counter had is used.

If the last half of the operand field in an ORG directive dealing with the load memory space and counter is not specified, then the assembler assumes that the load memory space and load location counter are the same as the runtime memory space and runtime location counter. In this case, object code is being assembled to be loaded into the address and memory space where it is when the program is run; it is not an overlay.

If the load memory space and counter are given in the operand field, then the assembler always generates code for an overlay. Whether the overlay is absolute or relocatable depends upon the current operating mode of the assembler and whether the load counter value is an absolute or relative expression. If the assembler is running in absolute mode, or if the load counter expression is absolute, then the overlay is absolute. If the assembler is in relative mode and the load counter expression is relative, the overlay is relocatable. Runtime relocatable overlay code is addressed relative to the location given in the runtime location counter expression. This expression, if relative, may not refer to another overlay block.

Note: See also MODE.

Example C-64. ORG Directive

```
ORG P:$1000
```

Sets the runtime memory space to P. Selects the default runtime counter (counter 0) associated with P space to use as the runtime location counter and initializes it to \$1000. The load memory space is implied to be P, and the load location counter is assumed to be the same as the runtime location counter.

Example C-64. ORG Directive (Continued)

ORG PHE:

Sets the runtime memory space to P. Selects the H load counter (counter 2) associated with P space to use as the runtime location counter. The H counter will not be initialized, and its last value is used. Code generated hereafter is mapped to external (E) memory. The load memory space is implied to be P, and the load location counter is assumed to be the same as the runtime location counter.

ORG PI:OVL1, Y:

Indicates code is generated for an overlay. The runtime memory space is P, and the default counter is used as the runtime location counter. It is reset to the value of OVL1. If the assembler is in absolute mode via the -A command line option then OVL1 must be an absolute expression. If OVL1 is an absolute expression the assembler uses the absolute runtime location counter. If OVL1 is a relocatable value the assembler uses the relative runtime location counter. In this case OVL1 must not itself be an overlay symbol (i.e., defined within an overlay block). The load memory space is Y. Since neither H, L, nor any counter expression was specified as the load counter, the default load counter (counter 0) is used as the load location counter. The counter value and mode are whatever they were the last time they were referenced.

ORG XL:, E8:

Sets the runtime memory space to X. Selects the L counter (counter 1) associated with X space to use as the runtime location counter. The L counter is not initialized, and its last value is used. The load memory space is set to E, and the qualifier 8 indicates a bitwise RAM configuration. Instructions and data are generated eight bits per output word with byte-oriented load addresses. The default load counter is used, and there is no explicit load origin.

ORG P(5):, Y:\$8000

Indicates code is generated for an absolute overlay. The runtime memory space is P, and the counter used as the runtime location counter is counter 5. It will not be initialized, and the last previous value of counter 5 is used. The load memory space is Y. Since neither H, L, nor any counter expression was specified as the load counter, the default load counter (counter 0) is used as the load location counter. The default load counter is initialized to \$8000.

C.3.44 PAGE Top of Page/Size Page

PAGE [`<exp1>` [, `<exp2>` . . . , `<exp5>`]]

The PAGE directive has two forms:

1. If no arguments are supplied, then the assembler advances the listing to the top of the next page. In this case, the PAGE directive is not output.
2. The PAGE directive with arguments can be used to specify the printed format of the output listing. Arguments may be any positive absolute integer expression. The arguments in the operand field (as explained below) are separated by commas. Any argument can be left as the default or last set value by omitting the argument and using two adjacent commas. The PAGE directive with arguments will not cause a page eject and is printed in the source listing.

Note: A label is not allowed with this directive.

The arguments in order are as follows:

1. **PAGE_WIDTH** `<exp1>`—Page width in terms of number of output columns per line (default 80, min 1, max 255).
2. **PAGE_LENGTH** `<exp2>`—Page length in terms of total number of lines per page (default 66, min 10, max 255). As a special case a page length of zero turns off all headers, titles, subtitles, and page breaks.
3. **BLANK_TOP** `<exp3>`—Blank lines at top of page (default 0, min 0, max see below).
4. **BLANK_BOTTOM** `<exp4>`—Blank lines at bottom of page (default 0, min 0, max see below).
5. **BLANK_LEFT** `<exp5>`—Blank left margin. Number of blank columns at the left of the page (default 0, min 0, max see below).

The following relationships must be maintained:

$$\text{BLANK_TOP} + \text{BLANK_BOTTOM} \leq \text{PAGE_LENGTH} - 10$$

$$\text{BLANK_LEFT} < \text{PAGE_WIDTH}$$

Note: See also LSTCOL.

Example C-65. PAGE Directive

```
PAGE      132,,3,3    ; Set width to 132, 3 line top/bottom margins
PAGE      ; Page eject
```

C.3.45 PMACRO Purge Macro Definition

PMACRO `<symbol>` [, `<symbol>` , . . . , `<symbol>`]

The specified macro definition is purged from the macro table, allowing the macro table space to be reclaimed.

Note: A label is not allowed with this directive. See also MACRO.

Example C-66. PMACRO Directive

```
PMACRO      MAC1, MAC2
```

This statement would cause the macros named MAC1 and MAC2 to be purged.

C.3.46 PRCTL Send Control String to Printer

```
PRCTL      <exp>I<string>, . . . , <exp>I<string>
```

PRCTL simply concatenates its arguments and ships them to the listing file. (The directive line itself is not printed unless there is an error.) <exp> is a byte expression and <string> is an assembler string. A byte expression would be used to encode non-printing control characters, such as ESC. The string may be of arbitrary length, up to the maximum assembler-defined limits.

PRCTL may appear anywhere in the source file and the control string is output at the corresponding place in the listing file. However, if a PRCTL directive is the last line in the last input file to be processed, the assembler insures that all error summaries, symbol tables, and cross-references have been printed before sending out the control string. This is so a PRCTL directive can be used to restore a printer to a previous mode after printing is done. Similarly, if the PRCTL directive appears as the first line in the first input file, the control string is output before page headings or titles.

The PRCTL directive only works if the -L command line option is given; otherwise it is ignored.

Note: A label is not allowed with this directive.

Example C-67. PRCTL Directive

```
PRCTL      $1B, 'E'      ; Reset HP LaserJet printer
```

C.3.47 RADIX Change Input Radix for Constants

```
RADIX      <expression>
```

Changes the input base of constants to the result of <expression>. The absolute integer expression must evaluate to one of the legal constant bases (2, 10, or 16). The default radix is 10. The RADIX directive allows the programmer to specify constants in a preferred radix without a leading radix indicator. The radix prefix for base 10 numbers is the grave accent (`). Note that if a constant is used to alter the radix, it must be in the appropriate input base at the time the RADIX directive is encountered.

Note: A label is not allowed with this directive.

Example C-68. RADIX Directive

<code>_RAD10</code>	DC	10	; Evaluates to hex A
	RADIX	2	
<code>_RAD2</code>	DC	10	; Evaluates to hex 2
	RADIX	'16	
<code>_RAD16</code>	DC	10	; Evaluates to hex 10
	RADIX	3	; Bad radix expression

C.3.48 RDIRECT Remove Directive or Mnemonic from Table

```
RDIRECT <direc> [, <direc>, . . . , <direc>]
```

The RDIRECT directive is used to remove directives from the assembler directive and mnemonic tables. If the directive or mnemonic that has been removed is later encountered in the source file, it is assumed to be a macro. Macro definitions that have the same name as assembler directives or mnemonics will cause a warning message to be output unless the RDIRECT directive has been used to remove the directive or mnemonic name from the assembler's tables. Additionally, if a macro is defined through the MACLIB directive with the same name as an existing directive or opcode, it will not automatically replace that directive or opcode as previously described. In this case, the RDIRECT directive must be used to force the replacement.

Since the effect of this directive is global, it cannot be used in an explicitly-defined section. (See SECTION directive.) An error results if the RDIRECT directive is encountered in a section.

Note: A label is not allowed with this directive.

Example C-69. RDIRECT Directive

```
RDIRECT PAGE, MOVE
```

This causes the assembler to remove the PAGE directive from the directive table and the MOVE mnemonic from the mnemonic table.

C.3.49 SCSJMP Set Structured Control Statement Branching Mode

```
SCSJMP {SHORT | LONG | NONE}
```

The SCSJMP directive is analogous to the FORCE directive, but it only applies to branches generated automatically by structured control statements. (See Section C.4, "Structured Control Statements," on page C-54.) There is no explicit way, as with a forcing operator, to force a branch short or long when it is produced by a structured control statement. This directive causes all branches resulting from subsequent structured control statements to be forced to the specified mode.

Just like the FORCE pseudo-op, errors can result if a value is too large to be forced short. For relocatable code, the error may not occur until the linking phase.

Note: See also FORCE, SCSREG. A label is not allowed with this directive.

Example C-70. SCSJMP Directive

```
SCSJMP    SHORT    ; force all subsequent SCS jumps short
```

C.3.50 SCSREG Reassign Structured Control Statement Registers

```
SCSREG    [<srcreg> [, <dstreg> [, <tmpreg> [, <extreg>]]]]
```

The SCSREG directive reassigns the registers used by structured control statement (SCS) directives. It is convenient for reclaiming default SCS registers when they are needed as application operands within a structured control construct. <srcreg> is ordinarily the source register for SCS data moves. <dstreg> is the destination register. <tmpreg> is a temporary register for swapping SCS operands. <extreg> is an extra register for complex SCS operations. With no arguments, SCSREG resets the SCS registers to their default assignments.

The SCSREG directive should be used judiciously to avoid register context errors during SCS expansion. Source and destination registers may not necessarily be used strictly as source and destination operands. The assembler does no checking of reassigned registers beyond validity for the target processor. Errors can result when a structured control statement is expanded and an improper register reassignment has occurred. It is recommended that the MEX option (see the OPT directive) be used to examine structured control statement expansion for relevant constructs to determine default register usage and applicable reassignment strategies.

Note: See also OPT (MEX), SCSJMP. A label is not allowed with this directive.

Example C-71. SCSREG Directive

```
SCSREG    Y0,B    ; reassign SCS source and dest. registers
```

C.3.51 SECTION Start Section

```
SECTION    <symbol>    [GLOBAL | STATIC | LOCAL]
.
.
<section source statements>
.
.
ENDSEC
```

The SECTION directive defines the start of a section. All symbols that are defined within a section have the <symbol> associated with them as their section name. This serves to

protect them from like-named symbols elsewhere in the program. By default, a symbol defined inside any given section is private to that section unless the GLOBAL or LOCAL qualifier accompanies the SECTION directive.

Any code or data inside a section is considered an indivisible block with respect to relocation. Code or data associated with a section is independently relocatable within the memory space to which it is bound, unless the STATIC qualifier follows the SECTION directive on the instruction line.

Symbols within a section are generally distinct from other symbols used elsewhere in the source program, even if the symbol name is the same. This is true as long as the section name associated with each symbol is unique, the symbol is not declared public (XDEF/GLOBAL), and the GLOBAL or LOCAL qualifier is not used in the section declaration. Symbols that are defined outside of a section are considered global symbols and have no explicit section name associated with them. Global symbols may be referenced freely from inside or outside of any section, as long as the global symbol name does not conflict with another symbol by the same name in a given section.

If the GLOBAL qualifier follows the <section name> in the SECTION directive, then all symbols defined in the section until the next ENDSEC directive are considered global. The effect is as if every symbol in the section were declared with GLOBAL. This is useful when a section needs to be independently relocatable, but data hiding is not desired.

If the STATIC qualifier follows the <section name> in the SECTION directive, then all code and data defined in the section until the next ENDSEC directive are relocated in terms of the immediately enclosing section. The effect with respect to relocation is as if all code and data in the section were defined within the parent section. This is useful when a section needs data hiding, but independent relocation is not required.

If the LOCAL qualifier follows the <section name> in the SECTION directive, then all symbols defined in the section until the next ENDSEC directive are visible to the immediately enclosing section. The effect is as if every symbol in the section were defined within the parent section. This is useful when a section needs to be independently relocatable, but data hiding within an enclosing section is not required.

The division of a program into sections controls not only labels and symbols but also macros and DEFINE directive symbols. Macros defined within a section are private to that section and are distinct from macros defined in other sections even if they have the same macro name. Macros defined outside of sections are considered global and may be used within any section. Similarly, DEFINE directive symbols defined within a section are private to that section and DEFINE directive symbols defined outside of any section are globally applied. There are no directives that correspond to XDEF for macros or DEFINE

symbols, and therefore, macros and DEFINE symbols defined in a section can never be accessed globally. If global accessibility is desired, the macros and DEFINE symbols should be defined outside of any section.

Sections can be nested to any level. When the assembler encounters a nested section, the current section is stacked and the new section is used. When the ENDSEC directive of the nested section is encountered, the assembler restores the old section and uses it. The ENDSEC directive always applies to the most previous SECTION directive. Nesting sections provides a measure of scoping for symbol names, in that symbols defined within a given section are visible to other sections nested within it. For example, if section B is nested inside section A, then a symbol defined in section A can be used in section B without XDEFing in section A or XREFing in section B. This scoping behavior can be turned off and on with the NONS and NS options respectively. (See the OPT directive.)

Sections may also be split into separate parts. That is, <section name> can be used multiple times with SECTION and ENDSEC directive pairs. If this occurs, then these separate (but identically named) sections can access each others symbols freely without the use of the XREF and XDEF directives. If the XDEF and XREF directives are used within one section, they apply to all sections with the same section name. The reuse of the section name is allowed to permit the program source to be arranged in an arbitrary manner (e.g., all statements that reserve X space storage locations grouped together) but retain the privacy of the symbols for each section.

When the assembler operates in relative mode (the default), sections act as the basic grouping for relocation of code and data blocks. For every section defined in the source, a set of location counters is allocated for each DSP memory space. These counters are used to maintain offsets of data and instructions relative to the beginning of the section. At link time, sections can be relocated to an absolute address, loaded in a particular order, or linked contiguously as specified by the programmer. Sections which are split into parts or among files are logically recombined so that each section can be relocated as a unit.

Sections may be relocatable or absolute. In the assembler absolute mode (command line -A option) all sections are considered absolute. A full set of locations counters is reserved for each absolute section unless the GS option is given. (See the OPT directive.) In relative mode, all sections are initially relocatable. However, a section or a part of a section may be made absolute either implicitly by using the ORG directive or explicitly through use of the MODE directive.

Note: A label is not allowed with this directive. See also MODE, ORG, GLOBAL, LOCAL, XDEF, XREF.

Example C-72. SECTION Directive

```
SECTION    TABLES    ; TABLES will be the section name
```

C.3.52 SET Set Symbol to a Value

```
<label>   SET      <expression>
           SET      <label>   <expression>
```

The SET directive is used to assign the value of the expression in the operand field to the label. The SET directive functions somewhat like the EQU directive. However, labels defined via the SET directive can have their values redefined in another part of the program (but only through the use of another SET directive). The SET directive is useful in establishing temporary or reusable counters within macros. The expression in the operand field of a SET must be absolute and cannot include a symbol that is not yet defined. (No forward references are allowed.)

Note: See also EQU, GSET.

Example C-73. SET Directive

```
COUNT     SET      0          ; INITIALIZE COUNT
```

C.3.53 STITLE Initialize Program Sub-Title

```
STITLE    [<string>]
```

The STITLE directive initializes the program subtitle to the string in the operand field. The subtitle is printed on the top of all succeeding pages until another STITLE directive is encountered. The subtitle is initially blank. The STITLE directive will not be printed in the source listing. An STITLE directive with no string argument causes the current subtitle to be blank.

Note: A label is not allowed with this directive. See also TITLE.

Example C-74. STITLE Directive

```
STITLE    'COLLECT SAMPLES'
```

C.3.54 SYMOBJ Write Symbol Information to Object File

```
SYMOBJ    <symbol> [, <symbol>, . . . , <symbol>]
```

The SYMOBJ directive causes information for each <symbol> to be written to the object file. This directive is recognized but currently performs no operation in COFF assemblers.

Note: A label is not allowed with this directive.

Example C-75. SYMOBJ

```
SYMOBJ      XSTART, HIRTN, ERRPROC
```

C.3.55 TABS Set Listing Tab Stops

```
TABS      <tabstops>
```

The TABS directive allows resetting the listing file tab stops from the default value of 8.

Note: A label is not allowed with this directive. See also LSTCOL.

Example C-76. TABS Directive

```
TABS      4          ; Set listing file tab stops to 4
```

C.3.56 TITLE Initialize Program Title

```
TITLE     [<string>]
```

The TITLE directive initializes the program title to the string in the operand field. The program title is printed on the top of all succeeding pages until another TITLE directive is encountered. The title is initially blank. The TITLE directive is not printed in the source listing. A TITLE directive with no string argument causes the current title to be blank.

Note: A label is not allowed with this directive. See also STITLE.

Example C-77. TITLE Directive

```
TITLE     'FIR FILTER'
```

C.3.57 UNDEF Undefine DEFINE Symbol

```
UNDEF     [<symbol>]
```

The UNDEF directive causes the substitution string associated with <symbol> to be released, and <symbol> will no longer represent a valid DEFINE substitution. See the DEFINE directive for more information.

Note: A label is not allowed with this directive. See also DEFINE.

Example C-78. UNDEF Directive

```
UNDEF     DEBUG ; UNDEFINES THE DEBUG SUBSTITUTION STRING
```

C.3.58 WARN Programmer Generated Warning

```
WARN     [{<str>|<exp>} [, {<str>|<exp>}, . . . , {<str>|<exp>}]]
```

The WARN directive causes a warning message to be output by the assembler. The total warning count is incremented as with any other warning. The WARN directive is

normally used in conjunction with conditional assembly directives for exceptional condition checking. The assembly proceeds normally after the warning has been printed. An arbitrary number of strings and expressions, in any order but separated by commas with no intervening white space, can be specified optionally to describe the nature of the generated warning.

Note: A label is not allowed with this directive. See also FAIL, MSG.

Example C-79. WARN Directive

```
WARN      'parameter too large'
```

C.3.59 XDEF External Section Symbol Definition

```
XDEF      <symbol> [, <symbol>, . . . , <symbol>]
```

The XDEF directive is used to specify that the list of symbols is defined within the current section, and that those definitions should be accessible by sections with a corresponding XREF directive. This directive is only valid if used within a program section bounded by the SECTION and ENDSEC directives. The XDEF directive must appear before <symbol> is defined in the section. If the symbols that appear in the operand field are not defined in the section, an error is generated.

Note: A label is not allowed with this directive. See also SECTION, XREF.

Example C-80. XDEF Directive

```
SECTION   IO
XDEF      LOOPA    ; LOOPA will be accessible by sections with XREF
.
.
.
ENDSEC
```

C.3.60 XREF External Section Symbol Reference

```
XREF      <symbol> [, <symbol>, . . . , <symbol>]
```

The XREF directive is used to specify that the list of symbols is referenced in the current section but is not defined within the current section. These symbols must either have been defined outside of any section or declared as globally accessible within another section using the XDEF directive. If the XREF directive is not used to specify that a symbol is defined globally and the symbol is not defined within the current section, an error is generated, and all references within the current section to such a symbol are flagged as undefined. The XREF directive must appear before any reference to <symbol> in the section.

Note: A label is not allowed with this directive. See also SECTION, XDEF.

Example C-81. XREF Directive

```
SECTION    FILTER
XREF      AA,CC,DD    ; XDEFed symbols within section
.
.
.
ENDSEC
```

C.4 Structured Control Statements

An assembly language provides an instruction set for performing certain rudimentary operations. These operations in turn may be combined into control structures such as loops (FOR, REPEAT, WHILE) or conditional branches (IF-THEN, IF-THEN-ELSE). The assembler, however, accepts formal, high-level directives that specify these control structures, generating the appropriate assembly language instructions for their efficient implementation. This use of structured control statement directives improves the readability of assembly language programs without compromising the desirable aspects of programming in an assembly language.

C.4.1 Structured Control Directives

The following directives are used for structured control. Note the leading period, which distinguishes these keywords from other directives and mnemonics. Structured control directives may be specified in either upper or lower case, but they must appear in the opcode field of the instruction line (i.e., they must be preceded either by a label, a space, or a tab).

.BREAK	.ENDI	.LOOP
.CONTINUE	.ENDL	.REPEAT
.ELSE	.ENDW	.UNTIL
.ENDF	.FOR	.WHILE
.IF		

In addition, the following keywords are used in structured control statements:

AND	DOWNTO	TO
BY	OR	
DO	THEN	

Note: AND, DO, and OR are reserved assembler instruction mnemonics.

C.4.2 Syntax

The formats for the “.BREAK”, “.CONTINUE”, “.FOR”, “.IF”, “.LOOP”, “.REPEAT”, and “.WHILE” statements are given in sections C.4.2.1 through C.4.2.7. Syntactic variables used in the formats are defined as follows:

- **<expression>**—A simple or compound expression (Section C.4.3).
- **<stmtlist>**—Zero or more assembler directives, structured control statements, or executable instructions.

Note: An assembler directive occurring within a structured control statement is examined exactly once—at assembly time. Thus the presence of a directive within a .FOR, .LOOP, .REPEAT, or .WHILE statement does not imply repeated occurrence of an assembler directive; nor does the presence of a directive within an .IF-THEN-.ELSE structured control statement imply conditional assembly.

- **<op1>**—A user-defined operand whose register/memory location holds the .FOR loop counter. The effective address must use a memory alterable addressing mode (i.e., it cannot be an immediate value).
- **<op2>**—The initial value of the .FOR loop counter. The effective address may be any mode and may represent an arbitrary assembler expression.
- **<op3>**—The terminating value of the .FOR loop counter. The effective address may be any mode and may represent an arbitrary assembler expression.
- **<op4>**—The step (increment/decrement) of the .FOR loop counter each time through the loop. If not specified, it defaults to a value of #1. The effective address may be any mode and may represent an arbitrary assembler expression.
- **<cnt>**—The terminating value in a .LOOP statement. This can be any arbitrary assembler expression.

All structured control statements may be followed by normal assembler comments on the same logical line.

C.4.2.1 .BREAK Statement

`.BREAK`

The .BREAK statement causes an immediate exit from the innermost enclosing loop construct (.WHILE, .REPEAT, .FOR, .LOOP). A .BREAK statement does not exit an .IF-THEN-.ELSE construct. If a .BREAK is encountered with no loop statement active, a warning is issued.

Note: .BREAK should be used with care near .ENDL directives or near the end of DO loops. It generates a jump instruction which is illegal in those contexts.

downward. The programmer may specify an increment/decrement step size in <op4>, or elect the default step size of #1 by omitting the BY clause. A .FOR-TO loop is not executed if <op2> is greater than <op3> upon entry to the loop. Similarly, a .FOR-DOWNTO loop is not executed if <op2> is less than <op3>.

<op1> must be a writable register or memory location. It is initialized at the beginning of the loop and updated at each pass through the loop. Any immediate operands must be preceded by a pound sign (#). Memory references must be preceded by a memory space qualifier (X:, Y:, or P:). L memory references are not allowed. Operands must be or refer to single-word values.

The logic generated by the .FOR directive makes use of several DSP data registers. In fact, two data registers are used to hold the step and target values, respectively, throughout the loop; they are never reloaded by the generated code. It is recommended that these registers not be used within the body of the loop, or that they be saved and restored prior to loop evaluation.

Note: The DO keyword is optional.

Example C-84. .FOR Statement

```
.FOR      X: CNT = #0 TO Y: (targ*2)+114; loop on X: CNT
.
.
.
.ENDF
```

C.4.2.4 .IF Statement

```
.IF      <expression> [THEN]
<stmtlist>
[.ELSE
<stmtlist>]
.ENDI
```

If <expression> is true, execute <stmtlist> following THEN (the keyword THEN is optional); if <expression> is false, execute <stmtlist> following .ELSE, if present; otherwise, advance to the instruction following .ENDI.

Note: In the case of nested .IF-THEN-.ELSE statements, each .ELSE refers to the most recent .IF-THEN sequence.

Example C-85. .IF Statement

```
.IF      <EQ>          ; zero bit set?
.
.
.
.ENDI
```

C.4.2.5 .LOOP Statement

```
.LOOP <cnt>  
<stmtlist>  
.ENDL
```

Execute <stmtlist> <cnt> times. This is similar to the “.FOR” loop construct, except that the initial counter and step value are implied to be #1. It is actually a shorthand method for setting up a hardware DO loop on the DSP without having to worry about addressing modes or label placement.

Since the .LOOP statement generates instructions for a hardware DO loop, the same restrictions apply as to the use of certain instructions near the end of the loop, nesting restrictions, etc. One or more “.CONTINUE” directives inside a .LOOP construct generate a NOP instruction just before the loop address.

Example C-86. .LOOP Statement

```
.LOOP      LPCNT      ; hardware loop LPCNT times  
.  
.  
.  
.ENDL
```

C.4.2.6 .REPEAT Statement

```
.REPEAT  
<stmtlist>  
.UNTIL <expression>
```

<stmtlist> is executed repeatedly until <expression> is true. When expression becomes true, advance to the next instruction following .UNTIL. The <stmtlist> is executed at least once, even if <expression> is true upon entry to the .REPEAT loop.

Example C-87. .REPEAT Statement

```
.REPEAT  
.  
.  
.  
.UNTIL      x:(r1)+ <EQ> #0; loop until zero is found
```

C.4.2.7 .WHILE Statement

```
.WHILE      <expression> [DO]  
<stmtlist>  
.ENDW
```

The <expression> is tested before execution of <stmtlist>. While <expression> remains true, <stmtlist> is executed repeatedly. When <expression> evaluates false, advance to the

instruction following the “.ENDW” statement. If <expression> is false upon entry to the .WHILE loop, <stmtlist> is not executed; execution continues after the .ENDW directive.

Note: The DO keyword is optional.

Example C-88. .WHILE Statement

```
.WHILE      x: (r1)+ <GT> #0; loop until zero is found
.
.
.
.ENDW
```

C.4.3 Simple and Compound Expressions

Expressions are an integral part of “.IF”, “.REPEAT”, and “.WHILE” statements. Structured control statement expressions should not be confused with the assembler expressions. The latter are evaluated at assembly time and are referred to here as “assembler expressions;” they can serve as operands in structured control statement expressions. The structured control statement expressions described below are evaluated at run time and are referred to in the following discussion simply as “expressions”.

A structured control statement expression may be simple or compound. A compound expression consists of two or more simple expressions joined by either AND or OR (but not both in a single compound expression).

C.4.3.1 Simple Expressions

Simple expressions are concerned with the bits of the condition code register (CCR). These expressions are of two types. The first type merely tests conditions currently specified by the contents of the CCR. (See Section C.4.3.2.) The second type sets up a comparison of two operands to set the condition codes and afterwards tests the codes.

C.4.3.2 Condition Code Expressions

A variety of tests (identical to those in the Jcc instruction) may be performed, based on the CCR condition codes. The condition codes, in this case, are preset by either a user-generated instruction or a structured operand-comparison expression. Each test is expressed in the structured control statement by a mnemonic enclosed in angle brackets.

When processed by the assembler, the expression generates an inverse conditional jump to beyond the matching .ENDx/.UNTIL directive.

Example C-89. Condition Code Expression

	.IF	<code><EQ></code>	;zero bit set?
+	bne	Z_L00002	;code generated by assembler
	CLR	D1	;user code
	.ENDI		
+	Z_L00002		;assembler-generated label
	.REPEAT		
+	Z_L00034		;assembler-generated label
	SUB	D7,D0	;user code
	.UNTIL		
+	bge	Z_L00034	;code generated by assembler

C.4.3.3 Operand Comparison Expressions

Two operands may be compared in a simple expression, with subsequent transfer of control based on that comparison. Such a comparison takes the form

$$\langle \text{op1} \rangle \langle \text{cc} \rangle \langle \text{op2} \rangle$$

where `<cc>` is a condition mnemonic enclosed in angle brackets (as described in section C.4.3.2), and `<op1>` and `<op2>` are register or memory references, symbols, or assembler expressions. When processed by the assembler, the operands are arranged such that a compare/jump sequence of the following form always results

```
CMP      <reg1>, <reg2>
(J|B)cc  <label>
```

where the jump conditional is the inverse of `<cc>`. Ordinarily `<op1>` is moved to the `<reg1>` data register and `<op2>` is moved to the `<reg2>` data register prior to the compare. This is not always the case, however. If `<op1>` happens to be `<reg2>` and `<op2>` is `<reg1>`, an intermediate register is used as a scratch register. In any event, worstcase code generation for a given operand comparison expression is generally two moves, a compare, and a conditional jump.

Jumps or branches generated by structured control statements are forced long because the number and address of intervening instructions between a control statement and its termination are not known by the assembler. The programmer may circumvent this behavior by use of the SCSJMP directive.

Any immediate operands must be preceded by a pound sign (#). Memory references must be preceded by a memory space qualifier (X:, Y:, or P:). L memory references are not allowed. Operands must be or refer to single-word values.

Note that values in the `<reg1>` and `<reg2>` data registers are not saved before expression evaluation. This means that any user data in those registers are overwritten each time the expression is evaluated at runtime. The programmer should take care either to save needed

contents of the registers, reassign data registers using the SCSREG directive, or not use them at all in the body of the particular structured construct being executed.

C.4.3.4 Compound Expressions

A compound expression consists of two or more simple expressions (See Section C.4.3.1.) joined by a logical operator (AND or OR). The boolean value of the compound expression is determined by the boolean values of the simple expressions and the nature of the logical operator. Note that the result of mixing logical operators in a compound expression is undefined:

```
.IF      X1 <GT> B AND <LS> AND R1 <NE> R2;this is OK
.IF      X1 <LE> B AND <LC> OR  R5 <GT> R6;undefined
```

The simple expressions are evaluated left to right. Note that this means the result of one simple expression could have an impact on the result of subsequent simple expressions, because of the condition code settings stemming from the assembler-generated compare.

If the compound expression is an AND expression and one of the simple expressions is found to be false, any further simple expressions are not evaluated. Likewise, if the compound expression is an OR expression and one of the simple expressions is found to be true, any further simple expressions are not evaluated. In these cases, the compound expression is either false or true, respectively, and the condition codes reflect the result of the last simple expression evaluated.

C.4.3.5 Statement Formatting

The format of structured control statements differs somewhat from normal assembler usage. Whereas a standard assembler line is split into fields separated by blanks or tabs with no white space inside the fields, structured control statement formats vary depending on the statement being analyzed. In general, all structured control directives are placed in the opcode field (with an optional label in the label field) and white space separates all distinct fields in the statement. Any structured control statement may be followed by a comment on the same logical line.

C.4.3.6 Expression Formatting

Given an expression of the form

```
<op1> <LT> <op2> OR <op3> <GE> <op4>
```

there must be white space (blank, tab) between all operands and their associated operators, including boolean operators in compound expressions. Moreover, there must be white space between the structured control directive and the expression, and between the expression and any optional directive modifier (THEN, DO). An assembler expression

used as an operand in a structured control statement expression must not have white space in it, since it is parsed by the standard assembler evaluation routines:

```
.IF      #@CVI(@SQT(4.0)) <GT> #2; no white space in first operand
```

C.4.3.7 .FOR/.LOOP Formatting

The .FOR and .LOOP directives represent special cases. The .FOR structured control statement consists of several fields:

```
.FOR <op1> = <op2> TO <op3> BY <op4> DO
```

There must be white space between all operands and other syntactic entities such as “=”, “TO”, “BY”, and “DO”. As with expression formatting, an assembler expression used as an operand must not have white space in it:

```
.FOR X:CNT = #0 TO Y:(targ*2)+1 BY #@CVI(@POW(2.0,@CVF(R)))
```

In the example above, the .FOR loop operands represented as assembler expressions (symbol, function) do not have embedded white space, whereas the loop operands are always separated from structured control statement keywords by white space.

The count field of a .LOOP statement must be separated from the .LOOP directive by white space. The count itself may be any arbitrary assembler expression and therefore must not contain embedded blanks.

C.4.4 Assembly Listing Format

Structured control statements begin with the directive in the opcode field; any optional label is output in the label field. The rest of the statement is left as is in the operand field, except for any trailing comment; the X and Y data movement fields are ignored. Comments following the statement are output in the comment field (unless the unreported comment delimiter is used).

Statements are expanded using the macro facilities of the assembler. Thus the generated code can be sent to the listing by specifying the MEX assembler option, either via the OPT directive or the -O command line option.

C.4.5 Effects on the Programmer's Environment

During assembly, global labels beginning with “Z_L” are generated. They are stored in the symbol table and should not be duplicated in user-defined labels. Because these non-local labels ordinarily are not visible to the programmer, there can be problems when local (underscore) labels are interspersed among structured control statements. The SCL option

(see the OPT directive) causes the assembler to maintain the current local label scope when a structured control statement label is encountered.

In the .FOR loop, <op1> is a user-defined symbol. When exiting the loop, the memory/register assigned to this symbol contains the value which caused the exit from the loop.

A compare instruction is produced by the assembler whenever two operands are tested in a structured statement. At runtime, these assembler-generated instructions set the condition codes of the CCR (in the case of a loop, the condition codes are set repeatedly). Any user-written code either within or following a structured statement that references CCR directly (move) or indirectly (conditional jump/transfer) should be attentive to the effect of these instructions.

Jumps or branches generated by structured control statements are forced long because the number and address of intervening instructions between a control statement and its termination are not known by the assembler. The programmer may circumvent this behavior by use of the SCSJMP directive. In all structured control statements except those using only a single condition code expression, registers are used to set up the required counters and comparands. In some cases, these registers are effectively reserved; the .FOR loop uses two data registers to hold the step and target values, respectively, and performs no save/restore operations on these registers. The assembler, in fact, does no save/restore processing in any structured control operation; it simply moves the operands into appropriate registers to execute the compare. The SCSREG directive may be used to reassign structured control statement registers. The MEX assembler option (see the OPT directive) may be used to send the assembler-generated code to the listing file for examination of possible register use conflicts.

Appendix D

Codec Programming Tutorial

D.1 Introduction

The DSP56300 family is capable of many different types of activities. Through mathematical algorithms implemented on the DSP, various of tasks and different kinds of digital signal processing can be accomplished. However, in order to obtain useful information, it is often necessary to interact with external events in the outside world.

To satisfy this requirement, Motorola engineers integrated the CS4218 16-bit Audio codec CMOS device with the current DSP5630x evaluation modules. Their design opened the DSP to numerous applications, as the CS4218 codec has many critical components needing to interface with the outside world. The codec will perform analog-to-digital (A/D) and digital-to-analog (D/A) conversion, filtering, and level setting.

A sample program is included with this document to demonstrate the use of the CS4218 codec with a Motorola DSP. The program explains the steps necessary to interface the Motorola DSP with the CS4218 codec. More specifically, the sample program explains in detail the use of the enhanced synchronous serial interface ports (ESSI) and how the DSP's ESSI ports interface, initialize, and transport data between the DSP and CS4218 codec.

The following source code files are provided to the programmer to assist in programming the codec. The following source-code files can be found on Motorola's DSP website on the Internet at

www.mot.com/SPS/DSP/documentation/DSP56300.html.

- Ioequ.asm: Contains important I/O equates for the DSP5630xEVM modules.
- Intequ.asm: Contains interrupt equates for the DSP5630x EVM modules.
- Ada_equ.asm: Contains equates used to initialize the codec.
- Ada_Init.asm: Contains initialization code for the ESSI and codec.
- Vectors.asm: Contains the vector table for the DSP5630xEVM modules.
- Echo.asm: Example of codec programming.

Throughout this appendix, the sample code, used to demonstrate the use of the codec, references equates found in `Ada_equ.asm`, `Ioequ.asm`, and `Intequ.asm`.

D.2 Codec Background

D.2.1 Codec Device

The CS4218 stereo audio codec is comprised of many devices designed to perform A/D and D/A conversion built into a single chip. The chip consists of two delta-sigma A/D converters, two delta-sigma D/A converters, input anti-aliasing filters, output smoothing filters, programmable input gain, and programmable output attenuators. These separate components built into the codec allow the DSP to receive data from the codec, to process the data, and to eventually transmit processed data back to the codec. The data travels through special serial ports using the DSP's ESSI ports and the codec's specialized pins.

D.2.2 Codec Modes

The codec has many modes of operation. These modes are configured by setting certain pins on the codec high or low, specifically `SMODE1`, `SMODE2`, and `SMODE3` pins. The mode in which the DSP5630x evaluation modules are physically set to is Serial Mode 4 (SM4). SM4 allows the control information for the codec to be separated from the data information. In effect, this reduces the bandwidth needed by the data serial ports and simplifies the programming procedures.

Within the SM4 mode exist four sub modes. These secondary modes specify two things: whether the codec functions in the master mode or the slave mode, and the number of bits per frame. With the DSP evaluation boards that are discussed in this appendix, the secondary modes are physically configured to sub mode 0. Sub mode 0 dictates the codec to function in the master mode and sets the frame size to be 32 bits.

In essence, by setting the codec to operate in the master mode, the codec is responsible for sending the serial bit clock and sending frame synchronization pulses to indicate the start and stop of a data frame. In addition, sub mode zero specifies that each frame consist of two 16-bit words, a left-channel 16 bit word and a right-channel 16 bit word. The left and right channels are sent to and from the codec with the most significant bits (MSBs) first.

This information will be important in the sections to follow in this appendix. These properties apply to both the input data going into the codec (SDIN) and the output data coming from the codec (SDOUT). Please refer to Figure D-1.

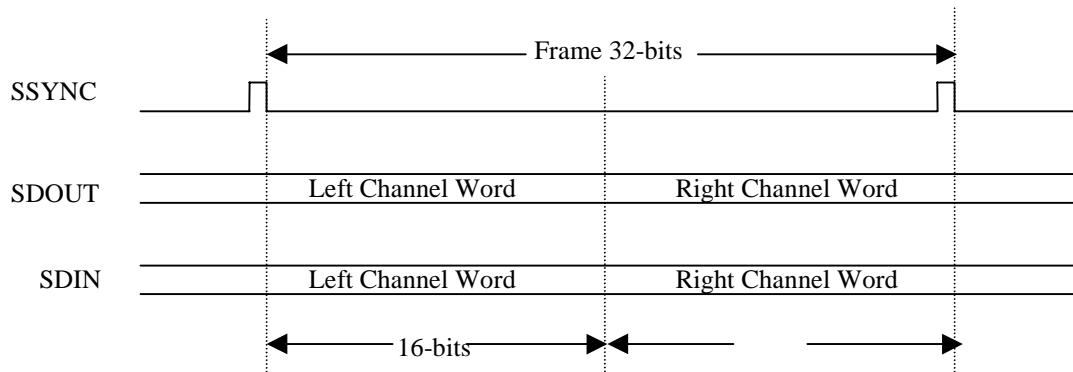


Figure D-1. Data Format of Codec

In the SM4 mode, the control information is separated from the data information. The control information is thus sent to codec on a different serial interface than the data information. The control information consists of a list of attributes that need to be specified in order to dictate certain properties such as level settings. Although 31 bits must be set in the control information, only 23 bits are useful. The other 8 bits are set to zero.

For more information on the CS4218 codec, please refer to the *Crystal CS4218 codec Datasheet*.

D.3 ESSI Ports Background

The Motorola DSP5630x evaluation modules referred to in this appendix have two ESSI ports. ESSI0 and ESSI1, which form one of the major serial interfaces to external peripherals. Each port consists of six unique pins that allow performance of a multitude of functions, depending on how certain pins are configured. Each port can function as either an ESSI or a General Purpose Input/Output port (GPIO).

While the ESSI mode has some constraints, by using the ESSI port in the ESSI mode, the programmer can synchronize his tasks with a master clock. In addition, certain control actions and direction flow are set automatically. On the other hand, by using the ESSI port in the GPIO mode, the programmer is given the option of specifying exactly how data is transferred and what direction the data will flow. The drawback to using the GPIO mode is that the programmer must understand exactly how the GPIO ports are used when programming the GPIO ports. In the example given in this appendix, both modes of operation are used.

When working with ESSI ports, the programmer needs to know in detail of the registers and pins available on the ESSI port. Although it is not the purpose of this appendix to discuss the ESSI port in great detail, a brief description of each pin and register is included.

D.4 ESSI/GPIO pins

The ESSI port uses six pins to allow transfer of information. Each pin can be configured to function in the ESSI mode or the GPIO mode by modifying the port control registers. Please refer to Table D-1.

Table D-1. ESSI Pin Definition

Pin Name	Pin Function
Serial Control 0 (SC0/PC0)	Has a multitude of functions depending on how control registers are set.
Serial Control 1 (SC1/PC1)	Has a multitude of functions depending on how control registers are set.
Serial Control 2 (SC2/PC2)	Has a multitude of functions depending on how control registers are set.
Serial Clock (SCK/PC3)	Serves as a provider or a receiver of the serial bit rate clock.
Serial Receive Data (SRD/PC4)	Receives serial data.
Serial Transmit Data (STD/PC5)	Transmit serial data.

D.5 ESSI Port Registers

The ESSI port can be configured to work in the ESSI mode or the GPIO mode. However, in either the ESSI mode or the GPIO mode there are certain registers that apply specifically to each mode, with the exception of two registers. The two registers, port control register C (PCRC) and port control register D (PCRD), determine how the ESSI ports will be used. port control register C configures the ESSI0's functionality mode, while port control register D configures the ESSI1's functionality mode.

Setting the corresponding bit/pin on the port control register to 1 configures the pin to operate in the ESSI mode. On the other hand setting the corresponding bit/pin to 0 configures the pin to function in the GPIO mode. Notice that each pin is individually configured to be in the ESSI mode or the GPIO mode.

D.5.1 ESSI/GPIO Shared Registers

Table D-2 lists and describes the functions of the ESSI/GPIO shared registers.

Table D-2. ESSI/GPIO Shared Registers

Register Name	Function
Port Control Register C (PCRC)	Controls whether to use the ESSI0 port in ESSI mode or GPIO mode
Port Control Register D (PCRD)	Controls whether to use the ESSI1 port in ESSI mode or GPIO mode.

D.5.2 ESSI Registers

The ESSI consists of 12 registers specific to the ESSI mode. Recall that the DSP5630x has two ESSI ports. Therefore there are two sets of ESSI registers; one for ESSI0 and the other for ESSI1. Table D-3 displays a list of the ESSI registers.

Table D-3. ESSI Registers

Register Name	Function
Control Register A (CRA)	Controls ESSI Mode operations.
Control Register B (CRB)	Controls ESSI Mode operations.
Status Register (SSISR)	Describes status and serial flags.
Transmit Slot Mask Register A (TSMA)	Determines when to transmit during a given time slot.
Transmit Slot Mask Register B (TSMB)	Determines when to transmit during a given time slot.
Receive Slot Mask Register A (RSMA)	Determines when to receive during a given time slot.
Receive Slot Mask Register B (RSMB)	Determines when to receive during a given time slot.
Time Slot Register (TSR)	Prevents data transmission during a time slot.
Receive Data Register (RX)	Read only register that receives data.
Transmit Data Register 0 (TX0)	Transfer data for transmitter 1
Transmit Data Register 1 (TX1)	Transfer data for transmitter 2
Transmit Data Register 2 (TX2)	Transfer data for transmitter 3

D.5.3 GPIO Registers

While functioning in the GPIO mode, the ESSI port accesses four registers specific to the GPIO mode. Refer to Table D-4 for details on the registers.

Table D-4. GPIO Registers

Register Name	Function
Port Direction Register C (PRRC)	Controls the direction of data flow for ESSI0 port in GPIO mode
Port Direction Register D (PRRD)	Controls the direction of data flow for ESSI1 port in GPIO Mode.
Port Data Register C (PDRD)	Stores data received or transmitted for ESSI0 port in GPIO mode.
Port Data Register D (PDRD)	Stores data received or transmitted for ESSI1 port in GPIO mode.

D.5.4 GPIO Mode Port C and Port D

After a specific pin has been set to function in the GPIO mode, the direction of data flow must be configured. In other words, the ESSI port must know whether the pin is receiving data or transmitting data. These specifications are determined by setting the Port Direction Register C (PRRC) and Port Direction Register D (PRRD). By setting the pin/bit to 0 on the port direction register, the GPIO pin is configured as an input. Furthermore by setting the pin/bit on the port direction register to 1, the GPIO pin is configured as an output.

Finally, to retrieve or transmit data in the GPIO mode, the port data registers (PDRs) are used. If the pin/bit is used as an input, the value in that pin/bit reflects the value present on that pin. Additionally, if the pin/bit is used as an output, the value seen on the pin/bit is the value being transmitted.

For more information concerning ESSI ports please refer to the DSP5630xEVM User's Manual and the Application Note, *DSP56300 Enhanced Synchronous Serial Interface (ESSI) Programming*, (order number AN1764/D) located at web address

www.mot.com/SPS/DSP/documentation/appnotes.html.

D.6 Digital Interface (ESSI – Codec)

As mentioned previously, the DSP's ESSI ports form the major interface between the DSP and the codec device. Recall that on the DSP5630x evaluation modules discussed in this appendix the codec is configured to function in the SM4 mode. SM4 mode separates the data information from the codec control information. Therefore, two serial ports are required to transfer data and codec control information. Specifically, both ESSI0 and ESSI1 ports are used to control and transfer data between the DSP and the codec. In general, ESSI0 controls data transfers between the DSP and the codec, while ESSI1 controls codec control information transfers between the DSP and the codec.

ESSI0 performs three functions with reference to the codec. First, ESSI0 transfers data to and from the codec. Secondly, ESSI0 receives synchronization pulses. And finally, ESSI0

performs the reset function on the codec. Each ESSI0 pin that is connected to the codeccodec serves a specific purpose. Please refer to Table D-5 as to the individual definition of each pin.

ESSI1 serves a different purpose. ESSI1 controls and transfers codec control information. Again, please refer to Table D-5 as to the definition of each corresponding pin.

Table D-5. Pin Set-Up Descriptions

ESSI0/ESSI1 Pin	CS4218 Codec Pin	Description
STD0 (ESSI0)	SDIN	Data transfer from ESSI0 to codec
SRD0 (ESSI0)	SDOUT	Data transfer from codec to ESSI0
SCK0 (ESSI0)	SCLK	Clock sent by codec (Master)
SC00 (ESSI0)	~RESET	Reset codec from ESSI0
SC02 (ESSI0)	SSYNC	Frame Synchronization pulse from codec
SC10 (ESSI1)	~CCS	Control Information gate
SC11 (ESSI1)	CCLK	Clock sent by ESSI1 to set control information
SC12 (ESSI1)	CDIN	Control data transfer from ESSI1

Physically, the ESSI port pins are connected to the serial pins on the codec though jumper connections. In order to ensure correct operation using the example code referenced in this document refer to Table D-6 and Table D-7 for the correct jumper settings for the DSP5630xEVM boards. Please refer to Figure D-2, which shows the pin set-up between the DSP's ESSI ports and the codec.

Table D-6. JP5 Jumper Block (ESSI0)

JP5	ESSI Pin	Codec Pin
1-2	SCK0	SCLK
3-4	SC00	~RESET
5-6	STD0	SDIN
7-8	SRD0	SDOUT
9-10	SC01	-
11-12	SC02	SSYNC

Table D-7. JP4 Jumper Block (ESSI1)

JP4	ESSI pin	Codec pin
1-2	SCK1	-
3-4	SC10	~CCS
5-6	STD1	-
7-8	SRD1	-
9-10	SC11	CDIN
11-12	SC12	CCLK

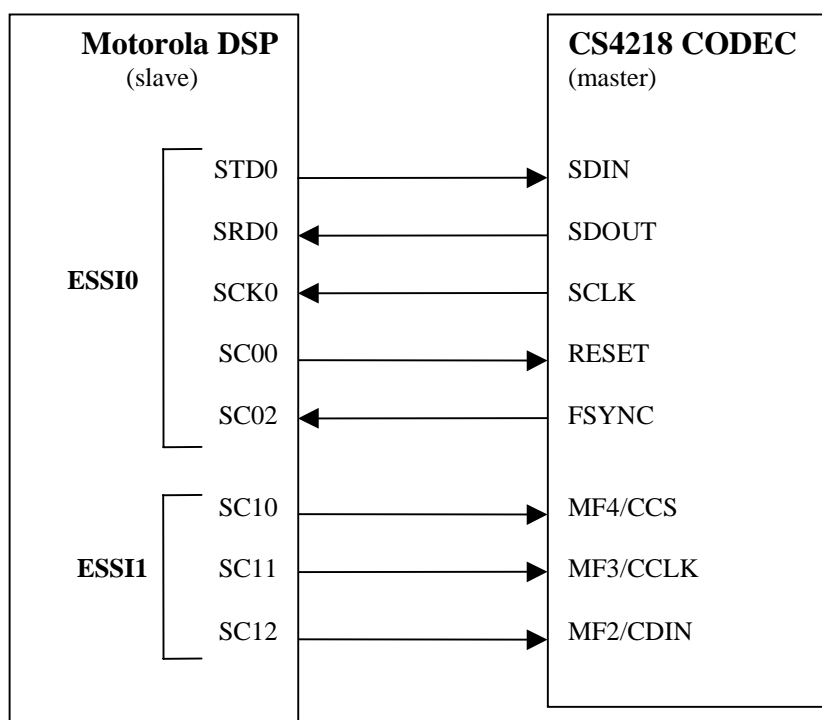


Figure D-2. ESSI/Codec Pin Setup

For more information concerning the pin layouts and jumper settings between the codec and DSP, please consult the DSP user's manual for the respective evaluation modules.

D.7 Programming the CS4218 Codec

In order for the CS4218 codec device to work properly with the Motorola DSPs, certain procedures must be followed. These procedures can be broken down into three major phases. Each of the phases plays an essential role in properly setting up constants,

interfacing and initializing, and finally using the CS4218 codec with the Motorola DSPs correctly, in accordance with the following descriptions:

- Phase 1: Setting up global constants
This phase includes such activities as setting up buffer spaces and pointers, setting codec control information constants, and defining interface constants and pins.
- Phase 2: Interfacing and Initializing the ESSI and the codec
The bulk of the work needed to obtain a working interface between the DSP5630x and the codec, lies in this phase. The procedures include such activities as setting up and initializing the codec ports, setting up and initializing the ESSI ports, and finally interfacing the codec and ESSI ports.
- Phase 3: Data transferring mechanisms
This phase includes information concerning the types of data transfer mechanism. Polling, DMA, and interrupts are the three types available to the programmer. However, the interrupt method of transferring data will be discussed in detail in this document.

D.8 Phase 1: Setting up Constants

D.8.1 Setting Up Buffer Space and Pointers

Phase 1 begins with setting up buffer spaces and pointers. The buffer spaces and pointers offer a temporary storage for the incoming and outgoing data. These variables come in the form of receive and transmit buffer and pointers. In addition to offering a temporary storage, the pointers offer a method to access the memory location of the stored data. Example D-1 demonstrates the task of setting up transmit and receive buffers and pointers.

Example D-1 Setting Up Transmit and Receive Buffers and Pointers

```

;Receive buffer and pointer

RX_BUFF_BASE    equ    *
RX_data_1_2     ds     1           ; Left receive channel audio
RX_data_3_4     ds     1           ; Right receive channel audio
RX_PTR          ds     1           ; Receive pointer

;Transmit buffer and pointer

TX_BUFF_BASE    equ    *
TX_data_1_2     ds     1           ; Left transmit channel audio
TX_data_3_4     ds     1           ; Right transmit channel audio
TX_PTR          ds     1           ; Transmit pointer

```

D.8.2 Defining Control Parameters of the CODEC

To specify specific parameters of the A/D and D/A conversion and other audio parameters, the control information must be declared. Parameters such as left and right attenuation, left and right gain, line input selects, and mask interrupts, are configured in the control information. The control information consists of 32 bits of information. Although only 23 bits contain useful information, a minimum of 31 bits must be set. Table D-8 lists the definitions of each bit.

Table D-8. CS4218 Codec Control Information (MSB)

Descriptions	Bit	Values
Not Applicable	31	0
Mask Interrupt	30	0 = no mask on MF5:\INT 1 = mask on MF5:\INT
D01	29	N/A
Left output D/A Attenuation (1.5 dB steps)	28 – 24	00000 = No attenuation 11111 = Max attenuation (-46.5 dB)
Right output D/A Attenuation (1.5 dB steps)	23 – 19	00000 = No attenuation 11111 = Max attenuation (-46.5 dB)
Mute D/A output	18	0 = output not muted 1 = output muted
Left Input Select	17	0 = LIN1 1 = LIN2
Right Input Select	16	0 = RIN1 1 = RIN2
Left input D/A Gain (1.5 dB steps)	15 – 12	00000 = no gain 11111 = max gain (22.5 dB)
Right input D/A Gain (1.5 dB steps)	11 – 8	00000 = no gain 11111 = max gain (22.5 dB)
Not Applicable	7 – 0	0000000

Referring to Table D-8, a programmer can configure the control information for the codec. Suppose, for instance, that the following requirements are needed for this application:

1. No mask for the interrupt pin.
2. No left or right D/A attenuation.
3. Muting turned off.
4. LIN2 and RIN2 Selected. (On the EVM boards input 2 is used for both left and right channels.)
5. No left and right D/A gains.

Example D-2 illustrates the procedure of setting the codec control information using the previous specified control parameters.

Example D-2 Setting Codec Control Information

```

NO_MASK_INT      equ      $000000
NO_LEFT_ATTEN    equ      $000000      ; 0 dB
NO_RIGHT_ATTEN   equ      $000000      ; 0 dB
LIN2              equ      $000200      ; use LIN2 on EVM
RIN2              equ      $000100      ; use RIN2 on EVM
NO_LEFT_GAIN     equ      $000000      ; 0 dB
NO_RIGHT_GAIN    equ      $000000      ; 0 dB
NO_MUTING        equ      $000000

CTRL_WD_12 equ  NO_MASK_INT+NO_LEFT_ATTEN+NO_RIGHT_ATTEN+LIN2+RIN2+
                NO_MUTING

CTRL_WD_34 equ  NO_LEFT_GAIN+NO_RIGHT_GAIN
    
```

Note: The CS4218 codec data sheet reverses the bit-order of the control information. For instance, bit 1 should be the mask interrupt instead of bit 30. However, since most of the work done with the ESSI ports and codec is done using MSB first, Table D-8 was modified to reverse the bit order from the codec data sheet to simplify control information programming.

Note: The Evaluation modules used in this document are designed to select line 2 of right and left inputs. Therefore, bits 17 (Left Input Select) and bits 16 (Right Input Select) should be configured to select LIN 2 (1) when using the DSP5630xEVM evaluation modules.

D.9 Phase II: Initializing and Interfacing the ESSI and CODEC Ports

After defining certain constants for the codec and the ESSI, the next step is to initialize the ESSI and codec interface. The initialization procedure involves first initializing the ESSI ports, which includes resetting the ESSI ports, modifying ESSI control registers, and configuring ESSI/GPIO functionality. Second, the codec must also be initialized, which entails resetting the codec and sending in codec control information.

In other words, the following general steps need to be performed:

1. Reset ESSI ports.
2. Modify ESSI control registers.
3. Configure ESSI or GPIO functionality.
4. Reset codec.
5. Modify codec control information.
6. De-assert ESSI reset and enable interrupts.

D.9.1 Initialize ESSI Ports

The first step in initializing the ESSI Port is to reset the ESSI ports. By sending a value of zero into the port control register C and port control register D on the ESSIs, ESSI0 and ESSI1 undergo a reset. Although ESSI1 will be used as a GPIO, it is recommended that the programmer also perform the reset on ESSI1. Example D-3 illustrates the reset procedure of the ESSI ports.

Example D-3 ESSI Port Reset Procedure

```
movep    #$0000,x:M_PCRC      ; reset ESSI0 C control register port
movep    #$0000,x:M_PCRD      ; reset ESSI1 D control register port
```

The next step in initializing the ESSI port is to set the control parameters for the ESSI port. Adjusting the bits on the ESSI Control Register A (CRA0) and ESSI Control Register B (CRB0) allow for initializing and modifying control parameters. Each bit on the registers has a specific meaning. Describing the meaning of each bit on the registers is beyond the scope of this appendix. The information on specific definitions of each bit can be found in the respective DSP5630x chip manuals. However, there are certain typical settings that need to be made in order for the codec to work properly with the ESSI ports. Table D-9 displays the settings that need to be made with Control Register A.

Table D-9. Settings for Control Register A

Bit Name	Description	Bit Position	Value (Binary)
Reserved	Reserved	23	0
SSC1	SC1 pin = serial I/O flag	22	0 (SC1 flag set)
WL[2:0]	Word Length control	21-19	010 (16 bit control word)
ALC	Alignment Control	18	0 (Align to bit 23)
Reserved	Reserved	17	0
DC[4:0]	Frame Rate Divider Control	16-12	00001 (2 time slots per frame)
PSR	Prescaler Range	11	1 (ESSI clock is divided by one)
Reserved	Reserved	10-8	000
PM[7:0]	Prescale Modulus Select	7-0	00000111 (ESSI clock divided by 8)

Besides setting the CRA0 register, the CRB0 register must also be set to allow certain parameters to be met. Table D-10 lists the typical settings that are required for Control Register B in order to ensure functionality between the ESSI ports and the codec.

Table D-10. Settings Control Register B

Bit Name	Description	Bit Position	Value (Binary)
REIE	Receive exception interrupt	23	1 (enabled)
TEIE	Transmit exception interrupt	22	1 (enabled)
RLIE	Receive last slot interrupt	21	1 (enabled)
TLIE	Transmit last slot interrupt	20	1 (enabled)
RIE	Receive interrupt	19	1 (enabled)
TIE	Transmit interrupt	18	1 (enabled)
RE	Receive register	17	1 (enabled)
TE0	Transmit register 0	16	1 (enabled)
TE1	Transmit register 1	15	0 (disabled)

TE2	Transmit register 2	14	0 (disabled)
MOD	Mode	13	1 (Network Mode)
SYN	Synchronization mode	12	1 (Synchronous mode)
CKP	Clock polarity	11	0 (Data and frame sync clocked on rising edge)
FSP	Frame Sync. Polarity	10	0 (positive polarity)
FSR	Frame Synch Relative Timing	9	1 (Frame synch begins one bit before first bit of data word)
FSL	Frame Sync. Length	8-7	10 (Rx-bit length: TX-bit length)
SHFD	Shift direction	6	0 (shift MSB first)
SCKD	Clock source direction	5	0 (SCK is input clock)
SCD2	SC2 pin direction	4	0 (SC2 is input)
SCD1	SC1 pin direction	3	1 (SC1 is output)
SCD0	SC0 pin direction	2	1 (SC0 is output)
OF[1:0]	Output flags	1-0	N/A

Notice that only the ESSI0 control parameters are configured. Since ESSI1 functions in the GPIO mode, the control parameters do not need to be set. Example D-4 illustrates the task of setting the control registers for the ESSI0 port according to the specifications given in Table D-9 and Table D-10.

Example D-4 Setting Control Registers for the ESSI0 Port

```

;Setting ESSI0 Control Parameters

; Control Register A
movep    #101807,x:M_CRA0          ; 12.288MHz/16 = 768KHz SCLK
                                           ; prescale modulus = 8
                                           ; frame rate divider = 2
                                           ; 16-bits per word
                                           ; 32-bits per frame
                                           ; 16-bit data aligned to bit 23

; Control Register B
movep    #ff330c,x:M_CRB0          ; Enable REIE,TEIE,RLIE,TLIE,
                                           ; RIE,TIE,RE,TE0
                                           ; network mode, synchronous,
                                           ; out on rising/in on falling
                                           ; shift MSB first
                                           ; external clock source drives SCK
                                           ; (codec is master)
                                           ; RX frame sync pulses active for
                                           ; 1 bit clock immediately before
                                           ; transfer period
                                           ; positive frame sync polarity
                                           ; frame sync length is 1-bit

```

D.9.2 Configure GPIO Pins

In the previous sections of this document, it was stated that the ESSI0 pins function in the ESSI mode, while the ESSI1 pins operate in the GPIO mode. Referring to Figure D-2, notice that some of the pins only affect the control information of the codec, while the other pins deal with the transfer of data. Because the codec on the DSP5630xEVM boards are configured to operate in SM4 mode, the control information runs on a separate serial line than the data lines. Additionally, SM4 dictates that the control information only needs to be configured once unless a change is needed.

In order to control the codec control information, the full ESSI port mode does not need to be used. Instead, the GPIO mode is used to transfer the control information. Any pins that are used to control the codec control information will be configured as a GPIO mode, otherwise the ESSI mode will be used. To configure the mode in which the pin operates, ESSI or GPIO, port control registers C and D need to be modified. As mentioned in Section D.5.1, "ESSI/GPIO Shared Registers," , port control C register controls the ESSI0 mode settings and Port Control D controls the ESSI1 mode settings.

The following pins are used as GPIO pins. Again, these pins control the transfer of codec control information.

- SC00 (CODEC_RESET pin)
- SC10 (CCS pin)
- SC11 (CCLK pin)
- SC12 (CDIN pin)

The pins listed above correspond to specific bits on the port data registers. For instance, the CODEC_RESET pin on the codec is connected to the SC00 pin on ESSI0. This pin corresponds to bit 0 on port data register C. Please refer to Table D-11 and Table D-12 for details concerning the correspondence between physical pins and port data registers.

Table D-11. Port Data Register C Pin/bit Correspondence

Bit Name (ESSI0)	Bit Name (Codec)	Bit Position Register C	Functionality Mode
Reserve for future use	N/A	6-23	N/A
STD	SDIN	5	ESSI
SRD	SDOUT	4	ESSI
SCK	SCLK	3	ESSI
SC02	FSYNC	2	ESSI
SC01	N/A	1	N/A
SC00	CODEC_RESET	0	GPIO

Table D-12. Port Data Register D Pin/bit Correspondence

Bit Name (ESSI1)	Bit Name (Codec)	Bit Position Register D	Functionality Mode
Reserve for future use	N/A	6-23	N/A
STD	N/A	5	N/A
SRD	N/A	4	N/A
SCK	N/A	3	N/A
SC12	CDIN	2	GPIO
SC11	CCLK	1	GPIO
SC10	CCS	0	GPIO

Using the information in Table D-11 and Table D-12, global constants can be defined to simplify programming. Example D-5 illustrates the task of defining the pin/bit correspondence for the GPIO pins.

Example D-5 Defining GPIO Pin/Bin Correspondence

```

; ESSI0 - audio data port control register C
; DSP          CODEC
; -----
CODEC_RESET    equ    0      ; bit0  SC00 ----> CODEC_RESET~

; ESSI1 - control data port control register D
; DSP          CODEC
; -----
CCS            equ    0      ; bit0  SC10 ----> CCS~
CCLK           equ    1      ; bit1  SC11 ----> CCLK
CDIN           equ    2      ; bit2  SC12 ----> CDIN
    
```

After setting up constants to reference the bit/pin correspondence for the GPIO pins, the Port control registers need to be configured. To begin with, the CODEC_RESET pin (pin 0) must be configured to function as a GPIO pin. Other pins on ESSI0, however, should be configured to work in the ESSI mode. Therefore, a 0 value should be sent into bit 0 in port control register C, while a value of 1 should be sent to the other five pertinent bits.

Additionally, the CCS pin, the CCLK pin, and CDIN pin all must function as GPIO pins on the ESSI1 port. Therefore, bit 0 (CCS), bit 1 (CCLK), and bit 2 (CDIN), must all be set to 0 to allow those pins to operate in the GPIO mode on the port control register D. Since we are not using the other pins in Port control Register D, the other pins can be set to anything, that is, to “don’t care” values (0 or 1).

At this point, the ESSI functionality should be disabled prior to initializing the codec. Therefore the pins on ESSI0 will not be configured to function in the ESSI mode until the codec has been initialized. However, the GPIO pins is configured as seen in Example D-6.

Example D-6 GPIO Pin Configuration

```

; Port Control Register C
movep    #$0000,x:M_PCRC    ; Setting pin 0 for GPIO, other
                                ; pins ESSI

; Port Control Register D
movep    #$0000,x:M_PCRD    ; Setting pin 0, pin 1, and pin 2
                                ; to GPIO mode
    
```

Since ESSI0 pin 0 and ESSI1 will be used in the GPIO mode, the direction of data flow must be declared. In other words, the direction of flow determines which device is transmitting and which device is receiving. Recall that in order to set the direction of data

flow Port Direction Registers C and D must be set, (register C refers to ESSI0 and register D refers to ESSI1).

Setting the pin/bit on the Port Direction Register to 1 configures the pin/bit as an output and setting the pin/bit on the Port Direction Register to 0 configures the pin/bit as an input. Therefore, in order to configure the pins using the Data Direction Registers to mimic the direction flow information in Figure D-2, the following bits must be set. Table D-6 and Table D-7 show the bit settings for the Data Direction Registers.

Table D-13. Data Direction Register C

Bit Name	Bit position	Value (binary)
Other bits	6-23	X (don't care)
STD0	5	X (don't care)
SRD0	4	X (don't care)
SCK0	3	X (don't care)
SC02	2	X (don't care)
SC01	1	X (don't care)
SC00	0	1 (CODEC_RESET is output)

Table D-14. Data Direction Register D

Bit Name	Bit position	Value (binary)
Other bits	6-23	X (don't care)
STD1	5	X (don't care)
SRD1	4	X (don't care)
SCK1	3	X (don't care)
SC12	2	1 (CDIN is output)
SC11	1	1 (CCLK is output)
SC10	0	1 (CCS is output)

Example D-7 illustrates the setting of the bits in the Data Direction registers in code form.

Example D-7 Code Form Settings in Data Direction Registers

```

; Data Direction Register C
movep    #$0001,x:M_PPRC      ; set SC00=CODEC_RESET~ as output
; Data Direction Register D
movep    #$0007,x:M_PPRD      ; set SC10=CCS~ as output
                                           ; set SC11=CCLK as output
                                           ; set SC12=CDIN as output
    
```

D.9.3 Initialization of the CODEC ports

The next step that needs to occur is the process of initializing the codec. This initialization process begins with first resetting the codec, second waiting for the codec to reset, and finally sending the control information for the codec. Note that the control information only needs to be sent when a change is needed to be made to the control parameters.

In order to reset the codec, a 0 value must be sent into the CODEC_RESET pin. Recall that a global variable was defined called CODEC_RESET in this document. Thus, to reset the codec the CODEC_RESET bit located on the Port Data Register C on the ESSI port must be cleared. In addition, the codec must be notified that control information will be modified. Setting the CSS pin to 0 allows for this. Furthermore, the codec requires a minimum of 50 ms to reset. Thus, often a delay is programmed into the DSP to allow for the codec to reset. Example D-8 summarizes the procedures in code format.

Example D-8 Code Format Procedures

```

bclr     #CODEC_RESET,x:M_PDRC    ; assert CODEC_RESET~ (bit 0 on ESSI0)
bclr     #CCS,x:M_PPRD            ; assert CCS~ (bit 0 on ESSI1)

;----reset delay for codec----
do       #1000,_delay_loop
rep      #1000                    ; A delay greater than 50 ms
nop
_delay_loop
    
```

Once the codec has been reset, the codec control information needs to be sent from the DSP to the codec ports. But, before the control information can be sent, the CODEC_RESET pin must be turned off (set to 1). Please refer to Table D-15 for information concerning the options of each bit/pin. Example D-9 demonstrates the task of deasserting the codec reset.

Example D-9 Deasserting Code Reset

```

bset     #CODEC_RESET,x:M_PDRC    ; disassert CODEC_RESET~ (pin 0 on ESSI0)
    
```

Table D-15. Codec Pins

Pin Name	Description	Values
~CODEC_RESET	Resets the CODEC	0 = Reset codec 1 = Disable Reset
FSYNC	Used to indicate a start of a frame	Rising edge = New Frame
SCLK	Serial clock	Rising Edge = data is received Falling edge = data is transmitted
SDOUT	Serial data output line	N/A
SDIN	Serial data input line	N/A
~CCS	Enables setting of CODEC control parameters	0 = enabled 1 = disabled
CDIN	Serial Control Information input line	N/A
CCLK	Clock for Control Parameters	Rising edge = control parameters sent

Finally, the codec is ready to receive the control information. The codec will ignore the first set of control information sent after a reset. Therefore, a dummy set of control information is sent prior to sending the correct control information. To reduce the amount of code written by the programmer, another solution is to send the correct control information to the codec twice. The first set of control information will be ignored, but the second control information will be recognized.

Two global variables will be defined to simplify programming”:

- CTRL_WD_HI: The high word in the control information.
- CTRL_WD_LO: The low word in the control information.

To send the control information from the ESSI to the codec, perform the following steps:

1. Set up registers to send dummy control information.
2. Send control words.
3. Set up registers to send correct control information.
4. Send control words.

Example D-10 illustrates the procedures.

Example D-10 Sending Code Information

```
CTRL_WD_HI      ds      1          ; Upper Control word
CTRL_WD_LO      ds      1          ; Lower Control word

dummy_control
    move        #0,x0
    move        x0,x:CTRL_WD_HI    ; send dummy control data
    move        x0,x:CTRL_WD_LO
    jsr        codec_control

set_control
    move        #CTRL_WD_12,x0     ; recall constant set previously
                                         ; for upper control info
    move        x0,x:CTRL_WD_HI    ; set hi control word to constant
    move        #CTRL_WD_34,x0     ; recall constant set previously
                                         ; for upper control info
    move        x0,x:CTRL_WD_LO    ; 16 bit data aligned to bit 23
    jsr        codec_control
```

The control words are sent serially to the CDIN pin of the codec. The `codec_control` subroutine in the previous code performs this action. The following is one method of sending in the control words:

1. Clear CCS bit to allow the codec to accept control information.
2. Set CCLK bit on codec high. Recall Control bits are sent on rising edge of clock.
3. Determine whether MSB is 1 or 0 of control information.
4. Send MSB value to CDIN pin.
5. Set CCLK to low on codec to start next cycle.
6. Shift left control word.
7. Repeat 16 times.

This procedure must be performed once for the upper 16-bit control word and then once for the lower 16-bit control word.

Example D-11 illustrates these procedures.

Example D-11 Sending in Control Words

```

;-----
; codec_control routine
;   Input:  CTRL_WD_LO and CTRL_WD_HI
;   Output: CDIN
;   Description: Used to send control information to CODEC
;   NOTE: does not preserve the 'a' register.
;-----
codec_control
    clr     a
    bclr   #CCS,x:M_PDRD           ; assert CCS
    move   x:CTRL_WD_HI,a1        ; upper 16 bits of control data
    jsr   send_codec              ; shift out upper control word
    move   x:CTRL_WD_LO,a1        ; lower 16 bits of control data
    jsr   send_codec              ; shift out lower control word
    bset   #CCS,x:M_PDRD          ; disassert CCS
    rts

;-----
; send_codec routine
;   Input:  a1 containing control information
;   Output: sends bits to CDIN
;   Description: Determines bits to send to CDIN
;-----
send_codec
    do     #16,end_send_codec     ; 16 bits per word
    bset   #CCLK,x:M_PDRD         ; toggle CCLK clock high
    jclr   #23,a1,bit_low         ; test msb
    bset   #CDIN,x:M_PDRD        ; send high into CDIN
    jmp    continue

bit_low
    bclr   #CDIN,x:M_PDRD        ; send low into CDIN
continue
    rep    #2                     ; delay
    nop
    bclr   #CCLK,x:M_PDRD        ; restart cycle
    lsl    a                       ; shift control word to 1 bit
                                           ; to left

end_send_codec
    rts

```

The `codec_control` subroutine performs most of the work for sending the information to the codec ports. First, the CCS bit is cleared to permit the modification of the control registers on the codec. Afterwards the control words are loaded into registers, where they are then sent out to another subroutine that sends the data serial out to the codec ports. After sending both the upper and lower control words, the CCS bit is reset to 1 to disallow changing of the control information on the codec.

The `send_codec` subroutine in essence serves as the workhorse for the `codec_control` routine. This routine pushes the individual bits of the control words into the codec.

First it sets the clock (CCLK) high to allow the bit to be sent. Afterwards, it determines what the most significant bit (MSB) is and either sends in a 0 or 1 to the CDIN pin depending on the MSB. A delay is incorporated into the routine to allow the information to get sent. Afterwards the clock (CCLK) is set low to allow the cycle to begin again. The control word is shifted to serve the next MSB bit. These procedures are performed 16 times to serve all the bits in the control word.

D.9.4 Enabling Interrupts/ESSI ports:

Now that the ESSI port and CODEC ports are configured and initialized, there are just three more steps to complete the interface between the ESSI and the CODEC. To begin with, the priority level of the interrupts must be set. This parameter is determined by the application. The second step is to enable interrupts on the DSP. Finally, the ESSI ports must be enabled. Recall that in order to set the functionality of ESSI pin, the port control registers must be configured. Again, setting the corresponding pin/bit to 1 enables the ESSI mode, while setting the pin/bit to 0 disables the ESSI mode and enables the GPIO mode.

From Section D.9.2, "Configure GPIO Pins," the following pins/bits must be configured as GPIO pins:

- CODEC_RESET pin (bit 0 on ESSI0)
- CCS pin (bit 0 on ESSI1)
- CCLK pin (bit 1 on ESSI1)
- CDIN pin (bit 2 on ESSI1)

Therefore on port control register C, bit 0 is set to 0. Other pertinent pins should be set to 1 in order to configure the other pins as ESSI pins. On Port Control Register D, bits 0, 1, and 2 should all be set to the value of 0 to allow GPIO functionality on those pins. Because the other pins are not connected to the codec, the other bits will not have an effect.

Example D-12 demonstrates setting the interrupt priority level, enabling the priority, and finally setting the ESSI/GPIO functionality of the ESSI ports.

Example D-12 ESSI Port Priority and Functionality Setting

```
movep    #$000c,x:M_IPRP ; set interrupt priority level for ESSI0
          ; to 3
andi     #$fc,mr          ; enable interrupts
movep    #$003e,x:M_PCRC ; enable ESSI mode for
          ; bit 5,bit 4,bit 3,bit 2,bit 1.
          ; enable GPIO mode for
          ; bit 0

movep    #$0000,x:M_PCRD ; enable GPIO mode for
          ; bit 2, bit 1, bit 0.
          ; Other bits are don't care.
```

D.10 Phase III: Data Transferring Mechanism

There are basically three different methods for transferring data from the codec to and from the ESSI port. They are Polling, DMA, and Interrupts. In this document, however, only the use of interrupts will be demonstrated.

D.10.1 Interrupts and Interrupt Service Routines

The ESSI device has six interrupts available. They are the ESSI receive data with exception status interrupt, ESSI receive data interrupt, ESSI receive last slot interrupt, the ESSI transmit data with exception status interrupt, the ESSI transmit last slot interrupt, and the ESSI transmit data interrupt. Each interrupt is triggered based on certain status bits and can be cleared by performing certain actions in an interrupt service routine. In the following sections, this document will explain what specific status bits trigger the interrupts and what must be done in order to clear the interrupts.

For more information concerning the properties and functionality of each type of interrupt and for setting up the interrupt service routines please refer to the DSP5630xEVM's user manual.

D.10.2 ESSI Receive Data with Exception Status Interrupt

The interrupt occurs when the following properties are true:

- The receive exception interrupt is turned on (CRB[23]).
- The receive data register is full.
- A receiver overrun error occurred.

The interrupt is triggered by the receiver overrun bit being set. When the interrupt is serviced, the programmer will need to first clear the receiver overrun bit (SSISR0[5]) and

then receive the Receive BUFFER. The following steps are needed to perform these procedures:

1. Clear receive overrun bit.
2. Save necessary context.
3. Load receive buffer pointer.
4. Move received data to receive buffer.
5. Update receive buffer pointer.
6. Restore context.

Example D-13 illustrates the procedures to service this interrupt.

Example D-13 ESSI Exception Status Interrupt Service

```

;ESSI Receive Data with Exception Interrupt Service Routine
;-----
ssi_rxe_isr
bclr      #5,x:M_SISR0      ; Clear receives overrun bit
                                ; (M_SISR0 refers to status register)
                                ; explicitly clears overrun flag

                                ; Save Context
move      r0,x:(r7)+        ; Save r0 to the stack.
move      m0,x:(r7)+        ; Save m0 to the stack.
move      #1,m0             ; Modulus 2 buffer.

move      x:RX_PTR,r0      ; Load the pointer to the rx buffer.

nop                               ; Delay

movep     x:M_RX0,x:(r0)+   ; Move received data to receive buffer

move      r0,x:RX_PTR      ; Update rx buffer pointer.
                                ; Restore Context
move      x:-(r7),m0        ; Restore m0.
move      x:-(r7),r0        ; Restore r0.
rti
    
```

D.10.3 ESSI Receive Data Interrupt

The interrupt occurs when the following properties are true:

- The receive interrupt is turned on (CRB[19])
- The receive data register is full

To service the interrupt the programmer will need to receive the data. The following steps can be performed to accomplish such a task:

1. Save necessary context.
2. Load receive buffer pointer.
3. Move received data to receive buffer.
4. Update receive buffer pointer.
5. Restore context.

Example D-14 illustrates the procedures to service this interrupt.

Example D-14 ESSI Receive Data Interrupt Service

```

;ESSI Receive Data Interrupt Service Routine
;-----
ssi_rx_isr

                ; Save Context
move            r0,x:(r7)+        ; Save r0 to the stack.
move            m0,x:(r7)+        ; Save m0 to the stack.
move            #1,m0             ; Modulus 2 buffer.

move            x:RX_PTR,r0       ; Load the pointer to the rx buffer.

nop                ; Delay

movep           x:M_RX0,x:(r0)+   ; Move received data to receive buffer

move            r0,x:RX_PTR       ; Update rx buffer pointer.
                ; Restore Context
move            x:-(r7),m0        ; Restore m0.
move            x:-(r7),r0        ; Restore r0.

rti
    
```

D.10.4 ESSI Receive Last Slot Interrupt

The interrupt occurs when the following properties are true:

- The receive last slot interrupt is turned on (CRB[21]).
- The last time slot ends.

The use of the receive last slot interrupt guarantees that the previous frame has been serviced and the next frame is ready to be serviced. The interrupt allows the programmer to redefine pointers to the buffer to be reset so that a new frame can be serviced.

To perform the procedure of preparing for the next frame the following steps can be used:

1. Save Context.
2. Reset receive buffer.
3. Restore context.

Example D-15 demonstrates the steps required servicing this interrupt.

Example D-15 ESSI Receive Last Slot Interrupt Service

```

; receive last slot interrupt service routine

ssi_rxls_isr
                                ; Save context
move    r0,x:(r7)+              ; Save r0 to the stack.

move    #RX_BUFF_BASE,r0        ; Reset rx buffer pointer just in
                                ; case it was corrupted.
move    r0,x:RX_PTR             ; Update rx buffer pointer.

move    x:-(r7),r0              ; Restore r0.
rti
    
```

D.10.5 ESSI Transmit Data with Exception Status Interrupt

The interrupt occurs when the following properties are true:

- The transmit exception interrupt is turned on (CRB[22]).
- The transmit data register is empty.
- A transmit underrun error occurred.

The interrupt is triggered by the transmit underrun bit being set. When the interrupt is serviced, the programmer will need to first clear the transmit underrun bit (SSISR0[4]) and then transmit the transmit BUFFER. The steps needed to perform these procedures are as follows:

1. Clear transmit underrun bit.
2. Save necessary context.
3. Load Transmit buffer pointer.
4. Move Transmit buffer data to transmit register.
5. Update Transmit Buffer pointer.
6. Restore context.

Example D-16 illustrates the procedures to service this interrupt.

Example D-16 ESSI Transmit Data with Exception Status Interrupt Service

```

; transmit data with exception status interrupt service routine

ssi_txe_isr
bclr      #4,x:M_SSISR0      ; Clear underrun bit
                                ; (M_SSISR0 pointers to status register)

                                ; Save Context
move      r0,x:(r7)+        ; Save r0 to the stack.
move      m0,x:(r7)+        ; Save m0 to the stack.
move      #1,m0             ; Modulus 2 buffer.

                                ; Load transmit pointer to transmit ;
                                ; buffer
move      x:TX_PTR,r0       ; Load the pointer to the tx buffer.

nop

                                ; delay

                                ; Move Transmit buffer data to transmit
                                ; register
movep     x:(r0)+,x:M_TX00   ; SSI transfer data register.

move      r0,x:TX_PTR       ; Update transmit buffer pointer
                                ; Update tx buffer pointer.

                                ; Restore Context
move      x:-(r7),m0        ; Restore m0.
move      x:-(r7),r0        ; Restore r0.
rti

```

D.10.6 ESSI Transmit Last Slot Interrupt

The interrupt occurs when the following properties are true:

- The transmit last slot interrupt is turned on (CRB[20]).
- The last time slot begins.

The use of the transmit last slot interrupt guarantees that the previous frame has been serviced and the next frame is ready to be serviced. The interrupt allows the programmer to redefine pointers to the buffer to be reset so that a new frame can be serviced.

To perform the procedure of preparing for the next frame the following steps can be used:

1. Save Context.
2. Reset Transmit buffer.
3. Restore Context.

Example D-17 depicts the servicing of this interrupt.

Example D-17 ESSI Transmit Last Slot Interrupt Service

```

; transmit last slot interrupt service routine
ssi_txls_isr
move      r0,x:(r7)+          ; Save Context
                                   ; Save r0 to the stack.

move      #TX_BUFF_BASE,r0    ; Reset Transmit buffer pointer
                                   ; Reset pointer.
move      r0,x:TX_PTR         ; Reset tx buffer pointer just in
                                   ; case it was corrupted.

move      x:-(r7),r0          ; Restore Context
rti                                   ; Restore r0.

```

D.10.7 ESSI Transmit Data Interrupt

The interrupt occurs when the following properties are true:

- The receive interrupt is turned on (CRB[18]).
- The transmit data register is empty.

To service the interrupt, the programmer will need to transmit the data. The following steps can be performed to accomplish such a task:

1. Save necessary context .
2. Load Transmit buffer pointer.
3. Move Transmit buffer data to transmit register.
4. Update Transmit Buffer pointer.
5. Restore context.

Example D-18 illustrates the procedures to service this interrupt.

Example D-18 ESSI Transmit Data Interrupt Service

```
; transmit data interrupt service routine
ssi_tx_isr

; Save Context
move     r0,x:(r7)+           ; Save r0 to the stack.
move     m0,x:(r7)+           ; Save m0 to the stack.
move     #1,m0                ; Modulus 2 buffer.

move     x:TX_PTR,r0          ; Load the pointer to the tx
                                ; buffer.

nop                                           ; delay

movep    x:(r0)+,x:M_TX00      ; SSI transfer data register.
move     r0,x:TX_PTR           ; Update tx buffer pointer.

                                ;Restore Context
move     x:-(r7),m0            ; Restore m0.
move     x:-(r7),r0            ; Restore r0.

rti
```

D.11 Example Application

An example program has been provided to illustrate the use of the codec.

The following files are included in a package to be distributed with this document:

- Ioequ.asm: Contains important I/O equates.
- Intequ.asm: Contains interrupt equates for the DSP EVM modules.
- Ada_equ.asm: Contains equates used to initialize the CODEC.
- Ada_Init.asm: Contains initialization code for the ESSI and CODEC.
- Vectors.asm: Contains the vector table for the DSP EVM modules.
- Echo.asm: Sample code that illustrates DSP processing.

All the procedures that were discussed in Section D.6, "Digital Interface (ESSI – Codec)," and Section D.7, "Programming the CS4218 Codec," have been included in these files. Therefore it will take little effort on the part of the programmer to quickly generate an application using the CS4218 codec. If a desired property in the control information is needed, simple modifications can be made to these files.

D.11.1 Echo Program

This example shows a simulation of an echo of an input signal using a number of time-delayed sample. To implement a time-delayed echo on the DSP, a sample is fed into the DSP from the codec. The new sample is then divided by two to maintain stability and is then added to a time delayed sample. The sum of the signals is, again, divided by two and then sent out to the codec.

Figure D-3 displays the block diagram describing this process.

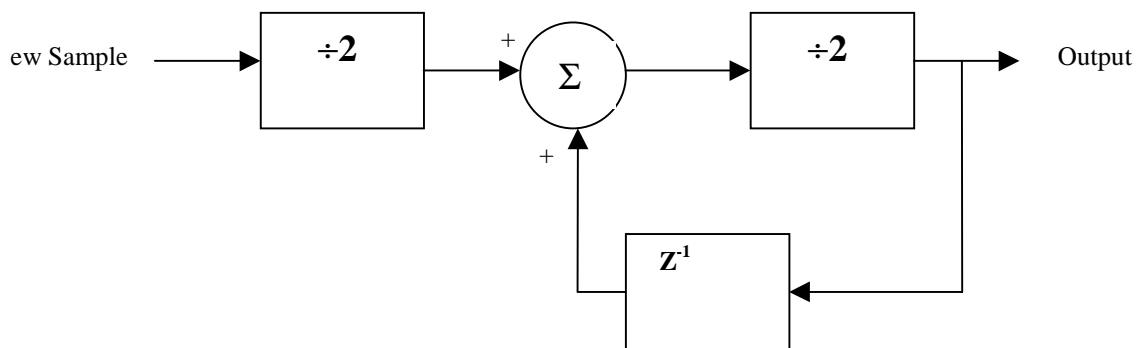


Figure D-3. Block Diagram of a Delayed Sample (echo)

D.11.2 Echo Code

To begin the echo program, the following files are included to simplify the initialization, the interface, and the transferring mechanism of the codec:

- ioequ.asm
- intequ.asm
- ada_equ.asm
- vectors.asm
- ada_init.asm

The next step is to define the transmit and receive buffers and pointers.

After performing the task of defining the receive and transmit buffers and pointers, the control information constants for the codec will also need to be defined.

The following steps need to be performed:

1. Include codec and I/O files.
2. Define transmit and receive buffer and pointers.
3. Define codec control constants.

Example D-19 illustrates the tasks of including initialization and interface files, defining transmit and receive buffers and pointers, and setting up control word constants.

Example D-19 Include, Define, and Set-Up Tasks

```

;*****
nolist
include 'ioequ.asm'
include 'integu.asm'
include 'ada_equ.asm'
include 'vectors.asm'
list

;*****
;---Buffer for talking to the CS4218

        org     x:$0
RX_BUFF_BASE     equ     *
RX_data_1_2     ds     1     ; data time slot 1/2 for RX ISR (left audio)
RX_data_3_4     ds     1     ; data time slot 3/4 for RX ISR (right audio)

TX_BUFF_BASE     equ     *
TX_data_1_2     ds     1     ; data time slot 1/2 for TX ISR (left audio)
TX_data_3_4     ds     1     ; data time slot 3/4 for TX ISR (right audio)

RX_PTR          ds     1; Pointer for rx buffer
TX_PTR          ds     1; Pointer for tx buffer

CTRL_WD_12      equ     MIN_LEFT_ATTEN+MIN_RIGHT_ATTEN+LIN2+RIN2
CTRL_WD_34      equ     MIN_LEFT_GAIN+MIN_RIGHT_GAIN
    
```

After setting up the constants needed for the codec, the DSP needs to be set up and initialized.

1. The DSP will need to know what speed the PLL is running at. For this application the PLL will be set to 86.016MHz.
2. The interrupts are masked with the correct values.
3. The hardware stack pointer is initialized.
4. Operate DSP on Mode 0.
5. The data interrupt stack pointer is initialized, which is the stack used in the ISR for the codec.
6. Assert linear addressing for the stack pointer used for by the data interrupts.

Example D-20 illustrates the initialization procedures of the DSP:

Example D-20 DSP Initialization Procedure

```

org      p:$100
START
main
    movep    #$040006,x:M_PCTL    ; PLL 7 X 12.288 = 86.016MHz
    ori      #3,mr                ; mask interrupts
    movec    #0,sp                ; clear hardware stack pointer
    move     #0,omr               ; operating mode 0
    move     #$40,r7              ; initialize stack pointer for ISR
    move     #-1,m7               ; linear addressing

```

Following the initialization procedures of the DSP, the codec also needs to be initialized. Again, using the supplied code, a jump statement can be made to start the CODEC/ESSI initialization routine. Example D-21 demonstrates this procedure.

Example D-21 Initializing CODEC/ESSI

```

jsr  ada_init      ;initialize CODEC/ESSI

```

The DSP and codec are ready to receive instructions to receive, process, and transmit data. The echo implementation requires that a buffer is setup and initialized. The code in Example D-22 can be used to perform these steps.

Example D-22 Setting Up and Initializing Buffer

```

move     #$0400,r4        ; start echo buffer at $400
move     #$03FF,m4        ; make echo buffer 1024 deep

clr      a                ; clear a
rep      #$03FF           ; clear the echo buffer
move     a,l:(r4)+

```

In order to receive data from the ESSI port, the programmer must ensure that data is received at the beginning of the frame. Thus, it is necessary to check the status bits to ensure that data receive starts at the beginning of the frame and not in the middle. Once a receive frame synchronization is detected, data can be manipulate through the receive memory location, RX_BUFF_BASE. Afterwards, the data can be processed and then moved into the transmit pointer. All of these procedures can be implemented in an infinite loop to continuous receive, process, and transmit the data.

In the case of the echo program, Example D-23 illustrates the implementation.

Example D-23 Implementation of Echo Program

```

echo_loop

    jset     #3,x:M_SSISR0,*      ; wait for rx frame sync
    jclr    #3,x:M_SSISR0,*      ; wait for rx frame sync
    clr     a
    clr     b
    move    x:RX_BUFF_BASE,a     ; receive left
    move    x:RX_BUFF_BASE+1,b   ; receive right
    asr     a          x:(r4),x0  ; divide them by 2 and get oldest
    asr     b          y:(r4),y0  ; samples from buffer
    add     x0,a          ; add the new samples and the old
    add     y0,b
    asr     a          ; reduce magnitude of new data
                                ; (to ensure stability)

    asr     b
    move    a,x:(r4)            ; save the altered samples
    move    b,y:(r4)+          ; and bump the pointer
    move    a,x:TX_BUFF_BASE    ; transmit left
    move    b,x:TX_BUFF_BASE+1 ; transmit right

    jmp     echo_loop

echo

```

After receiving the left and right channels, the data is quickly divided by two. Then the left and right channels are added to the time-delayed samples, which were stored on the echo buffer. The magnitude is reduced by two and the echo buffer is updated with the newest output sample. The left-and-right processed channels are then sent to the transmit buffers, where it is sent to the ESSI port and eventually to the CODEC. The procedures loop infinitely until manually stopped.

Example D-24 combines all the separate pieces of the echo code into an application that performs the time-delayed echo.

Example D-24 Application of Echo Code

```

;*****
nolist
include 'ioequ.asm'
include 'integu.asm'
include 'ada_equ.asm'
include 'vectors.asm'
list

;*****

;---Buffer for talking to the CS4218

        org     x:$0
RX_BUFF_BASE equ     *
RX_data_1_2 ds 1     ; data time slot 1/2 for RX ISR (left audio)
RX_data_3_4 ds 1     ; data time slot 3/4 for RX ISR (right audio)

TX_BUFF_BASE equ     *
TX_data_1_2 ds 1     ; data time slot 1/2 for TX ISR (left audio)
TX_data_3_4 ds 1     ; data time slot 3/4 for TX ISR (right audio)

RX_PTR ds 1         ; Pointer for rx buffer
TX_PTR ds 1         ; Pointer for tx buffer

CTRL_WD_12 equ     MIN_LEFT_ATTEN+MIN_RIGHT_ATTEN+LIN2+RIN2
CTRL_WD_34 equ     MIN_LEFT_GAIN+MIN_RIGHT_GAIN

        org     p:$100
START
main
        movep   #$040006,x:M_PCTL ; PLL 7 X 12.288 = 86.016MHz
        ori     #3,mr             ; mask interrupts
        movec   #0,sp            ; clear hardware stack pointer
        move    #0,omr           ; operating mode 0
        move    #$40,r7          ; initialize stack pointer for isr
        move    #-1,m7           ; linear addressing
        jsr     ada_init         ; initialize codec

        move    #$0400,r4        ; start echo buffer at $400
        move    #$03FF,m4       ; make echo buffer 1024 deep

        clr     a                ; clear a
        rep     #$03FF          ; clear the echo buffer
        move    a,l:(r4)+

```

echo_loop

```
jset    #3,x:M_SSISR0,*      ; wait for rx frame sync
jclr    #3,x:M_SSISR0,*      ; wait for rx frame sync
clr     a
clr     b
move    x:RX_BUFF_BASE,a    ; receive left
move    x:RX_BUFF_BASE+1,b  ; receive right
asr     a      x:(r4),x0     ; divide them by 2 and get oldest
asr     b      y:(r4),y0     ; samples from buffer
add     x0,a                ; add the new samples and the old
add     y0,b
asr     a                    ; reduce magnitude of new data
                                ; (to ensure stability)

asr     b
move    a,x:(r4)            ; save the altered samples
move    b,y:(r4)+          ; and bump the pointer
move    a,x:TX_BUFF_BASE   ; transmit left
move    b,x:TX_BUFF_BASE+1 ; transmit right

jmp     echo_loop

include 'ada_init.asm'      ; used to include codec
                                ; initialization routines
```

echo

end

INDEX

Symbols

" C-5
 # C-9
 #< C-9
 #> C-9
 % C-4
 * C-6
 ++ C-6, C-7
 ; C-1
 ;; C-2
 < C-7
 << C-7
 > C-8
 ? C-3
 @ C-6
 \ C-2
 ^ C-4

A

A/D converter 3-7
 AAR0
 programming 3-4
 Address Attribute Pin Polarity Bit, BAAP 3-5
 Address Attribute Pin, AA0 3-4
 Address Attribute Pin, AA1 3-6
 Address Attribute Register, AAR0 3-4
 Address Muxing Bit, BAM 3-5
 Address Pins, A(0:17) 3-4, 3-6
 Address Priority Disable Bit, APD 3-4
 Address to Compare Bits, BAC(11:0) 3-6
 Addressing
 I/O short C-7
 immediate C-9
 long C-8
 long immediate C-9
 short C-7
 short immediate C-9
 Analog Input/Output 3-8
 Assembler 2-12
 mode C-33
 option C-34
 warning C-41
 assembler 2-1
 control 2-9
 data definition/storage allocation 2-9
 directives 2-8

listing control and options 2-10
 macros and conditional assembly 2-11
 object file control 2-10
 options 2-6
 significant characters 2-8
 structured programming 2-11
 symbol definition 2-9
 assembler control 2-9
 assembler directives 2-8
 assembler options 2-6
 assembling the example program 2-12
 assembling the program 2-5
 assembly programming 2-1
 AT29LV010A 3-6
 audio 3-7
 audio codec 3-1, 3-7
 audio interface cable 1-2
 audio source 1-2

B

Buffer
 address C-10
 end C-23
 buffer space and pointers D-9

C

Checksum C-37
 Codec 3-7, 3-8, 3-10, D-2, D-20
 Control Data Chip Select Pin, MF4/CCS 3-10
 Control Data Clock Pin, MF3/CCLK 3-10
 Control Information (MSB) D-10
 control parameters D-10
 digital interface 3-8
 digital interface connections 3-9
 initializing and interfacing D-12
 Left Input #2 Pin, LIN2 3-8
 Master Clock Pin, CLKIN 3-7
 modes of serial operation 3-9
 ports, initialization D-19
 programming D-1
 Programming the CS4218 D-8
 Reset Pin, RESET 3-10
 Serial Sync Signal Pin, SSYNC 3-10
 command converter 3-1, 3-10
 command format
 assembler 2-5

Comment C-14
 delimiter C-1
 object file C-13
 unreported C-2
 comment field 2-3
 Conditional assembly C-28, C-37
 Constant
 define C-14, C-15
 storage C-11
 Constants D-9
 Control Data Input Pin, MF2/CDIN 3-10
 Control Register A, settings D-13
 Control Register B, settings D-13
 Crystal Semiconductor CS4215 3-7
 CS4218 3-7
 Cycle count C-37

D

D/A converter 3-7
 Data Pins, D(0:23) 3-4, 3-6
 data transfer fields 2-3
 Debugger 2-1, 2-17
 running the 2-19
 Debugger software 2-17
 Debugger window display 2-18
 development process flow 2-1
 device D-2
 Directive C-10
 .BREAK C-55
 .CONTINUE C-56
 .FOR C-56
 .IF C-57
 .LOOP C-58
 .REPEAT C-58
 .WHILE C-58
 BADDR C-10
 BSB C-11
 BSC C-11
 BSM C-12
 BUFFER C-12
 COBJ C-13
 COMMENT C-14
 DC C-14
 DCB C-15
 DEFINE C-5, C-16, C-37
 DS C-17
 DSM C-17
 DSR C-18
 DUP C-18
 DUPA C-19
 DUPC C-20
 DUPF C-21
 END C-22

ENDBUF C-23
 ENDIF C-23
 ENDM C-23
 ENDSEC C-24
 EQU C-24
 EXITM C-25
 FAIL C-25
 FORCE C-26
 GLOBAL C-26
 GSET C-26
 HIMEM C-27
 IDENT C-27
 IF C-28
 in loop C-37
 INCLUDE C-29
 LIST C-29
 LOCAL C-30
 LOMEM C-30
 LSTCOL C-31
 MACLIB C-31
 MACRO C-32
 MODE C-33
 MSG C-33
 NOLIST C-34
 OPT C-34
 ORG C-42
 PAGE C-45
 PMACRO C-45
 PRCTL C-46
 RADIX C-46
 RDIRECT C-47
 SCSJMP C-47
 SCSREG C-48
 SECTION C-48
 SET C-51
 STITLE C-51
 SYMOBJ C-51
 TABS C-52
 TITLE C-52
 UNDEF C-52
 WARN C-52
 XDEF C-53
 XREF C-53
 Domain Technologies Debugger 1-1, 2-17
 DSP development tools 2-1
 DSP linker 2-12
 DSP56002 3-10
 DSP56002 Receive Data Pin, RXD 3-11
 DSP56002 Transmit Data Pin, TXD 3-11
 DSP56300 Family Manual 3-1
 DSP56303 2-1
 Chip Errata 3-2
 Product Specification 1-1
 Product Specification, Revision 1.02 3-1

- Technical Data 1-1, 3-1
- User's Manual 3-1
- DSP56303 Features 3-1
- DSP56303EVM
 - additional requirements 1-2
 - Component Layout 3-2
 - connecting to the PC 1-4
 - contents 1-1
 - description 3-1
 - features 3-1
 - Flash PEROM 3-2
 - functional block diagram 3-3
 - installation procedure 1-2
 - interconnection diagram 1-4
 - memory 3-2
 - power connection 1-4
 - Product Information 1-1
 - SRAM 3-2
 - User's Manual 1-1

E

- Echo Code D-31
- Echo Program D-31
- Enhanced Synchronous Serial Port 0 (ESSIO) 3-13
- Enhanced Synchronous Serial Port 1 (ESSI1) 3-14
- ESSI Pin Definition D-4
- ESSI Port Registers D-4
- ESSI Ports Background D-3
- ESSI ports, enabling interrupts D-23
- ESSI Registers D-5
- ESSI, initializing and interfacing D-12
- ESSI, receive data interrupt D-25
- ESSI/Codec Pin Setup D-8
- ESSI/GPIO pins D-4
- ESSIO 3-7
- ESSI1 3-7
- example
 - assembling the 2-12
- example program 2-3
- Expansion Bus Control 3-15
- Expression
 - address C-37
 - compound C-61
 - condition code C-59
 - formatting C-61
 - operand comparison C-60
 - radix C-46
 - simple C-59
- External Access Type Bits, BAT(1:0) 3-5

F

- field

- comment 2-3
- data transfer 2-3
- label 2-2
- operand 2-3
- operation 2-2
- X data transfer 2-3
- Y data transfer 2-3

File

- include C-29
- listing C-38
- Flash 3-2
- Flash Address Pins, A(0:16) 3-6
- Flash Chip Enable Pin, CE 3-6
- Flash Data Pins, I/O(0:7) 3-6
- Flash Output Enable Pin, OE 3-6
- Flash PEROM 3-2, 3-6
 - connections 3-6
 - stand-alone operation 3-6
- Flash Write Enable Pin, WE 3-6
- format
 - assembler command 2-5
 - source statement 2-2
- Function C-6

G

- GPIO pins, configuration D-15
- GPIO Registers D-5
- GS71024T-10 3-3

H

- headphones 1-2
- Host Address Pin, HA2 3-10
- host PC 3-10
- Host PC Data Terminal Ready Pin, DTR 3-11
- Host PC Receive Data Pin, RD 3-11
- host PC requirements 1-2
- Host PC Transmit Data Pin, TD 3-11
- Host Port (HI08) 3-14

I

- Include file C-29

J

- J1 1-3
- J4 1-3, 3-7
- J5 1-3, 3-7
- J6 3-12
- J7 3-7
- J8 1-3, 3-11
- J9 3-3, 3-7
- JP4 Jumper Block (ESSI1) D-8

JP5 Jumper Block (ESSIO) D-7
JTAG 3-10

K

kit contents 1-1

L

Label
 local C-38, C-41
label field 2-3
LED, red 3-10
Left Channel Output Pin, LOUT 3-8
Line continuation C-2
linker 2-1, 2-12
 directives 2-16
 options 2-13
linker directives 2-16
Listing file C-38
 format C-31, C-38, C-40, C-45, C-52
 sub-title C-51
 title C-52
LM4880 3-8
Location counter C-6, C-42
Long Memory Data Moves 3-4

M

Macro
 call C-38
 comment C-37
 definition C-32, C-38
 directive C-32
 end C-23
 exit C-25
 expansion C-39
 library C-31, C-39
 purge C-45
Macro argument
 concatenation operator C-2
 local label override operator C-4
 return hex value operator C-4
 return value operator C-3
MAX212 3-11
Memory
 limit C-27, C-30
 utilization C-39
Memory space C-39, C-42
Mode Selection 3-15
Modes D-2
Motorola
 DSP linker 2-12

N

Number of Bits to Compare Bits, BCN(3:0) 3-6

O

Object file
 comment C-13
 identification C-27
 symbol C-41, C-51
object files 2-1
OnCE commands 3-10
OnCE/JTAG conversion 3-10
operand field 2-3
operand fields 2-3
Operating Mode, DSP56307 3-6
operation field 2-3
Option
 AE C-35, C-37
 assembler operation C-36
 CC C-36, C-37
 CEX C-35, C-37
 CK C-36, C-37
 CL C-35, C-37
 CM C-36, C-37
 CONST C-36, C-37
 CONTC C-37
 CONTCK C-36, C-37
 CRE C-35, C-37
 DEX C-36, C-37
 DLD C-36, C-37
 DXL C-35, C-37
 FC C-35, C-38
 FF C-35, C-38
 FM C-35, C-38
 GL C-36, C-38
 GS C-36, C-38
 HDR C-35, C-38
 IC C-36, C-38
 IL C-35, C-38
 INTR C-36, C-38
 LB C-36, C-38
 LDB C-36, C-38
 listing format C-35
 LOC C-35, C-38
 MC C-35, C-38
 MD C-35, C-38
 message C-35
 MEX C-35, C-39
 MI C-36, C-39
 MSW C-35, C-39
 MU C-35, C-39
 NL C-35, C-39
 NOAE C-39

NOCC C-39
 NOCEX C-39
 NOCK C-39
 NOCL C-39
 NOCM C-39
 NODEX C-39
 NODLD C-39
 NODXL C-39
 NOFC C-39
 NOFF C-39
 NOFM C-39
 NOGS C-39
 NOHDR C-39
 NOINTR C-39
 NOMC C-39
 NOMD C-39
 NOMEX C-39
 NOMI C-39
 NOMSW C-39
 NONL C-39
 NONS C-40
 NOPP C-40
 NOPS C-40
 NORC C-40
 NORP C-40
 NOSCL C-40
 NOU C-40
 NOUR C-40
 NOW C-40
 NS C-36, C-40
 PP C-35, C-40
 PS C-36, C-40
 PSM C-36
 RC C-35, C-40
 reporting C-35
 RP C-36, C-40
 RSV C-36
 S C-35, C-40
 SCL C-36, C-41
 SCO C-36, C-41
 SI C-36
 SO C-36, C-41
 SVO C-36
 symbol C-36
 U C-35, C-41
 UR C-35, C-41
 W C-35, C-41
 WEX C-41
 XLL C-36, C-41
 XR C-36, C-41

P

P Space Enable Bit, BPEN 3-6

Packing Enable Bit, BPAC 3-5
 PC 3-10
 PC requirements 1-2
 PEROM 3-6
 stand-alone operation 3-6
 Pin Setup Descriptions D-7
 Pins D-20
 power supply, external 1-2, 1-4
 program
 assembling the 2-5
 example 2-3
 writing the 2-2
 Program counter C-6, C-42
 programming
 AAR0 3-4
 assembly 2-1
 development 2-1
 example 2-1

Q

Quick Start Guide 1-1

R

Read Enable Pin, RD 3-4, 3-6
 Register C, data direction D-18
 Register D, data direction D-18
 Reset, DSP56002 3-11
 Reset, DSP56303 3-7
 Right Channel Output Pin, ROUT 3-8
 Right Input #2 Pin, RIN2 3-8
 RS-232 cable connection 1-4
 RS-232 interface 3-10
 RS-232 interface cable 1-2
 RS-232 serial interface 3-10
 running the Debugger program 2-19

S

Sampling frequency 3-7
 SCI, DSP56002 3-10
 Section C-48
 end C-24
 global C-26, C-38, C-49
 local C-30, C-49
 nested C-40
 static C-38, C-49
 Serial Clock Pin, SCK0 3-10
 Serial Communication Interface Port (SCI) 3-12
 Serial Control Pin 0, SC00 3-10
 Serial Control Pin 0, SC10 3-10
 Serial Control Pin 1, SC01 3-10
 Serial Control Pin 1, SC11 3-10

Serial Control Pin 2, SC02 3-10
Serial Control Pin 2, SC12 3-10
serial interface 3-10
Serial Port Clock Pin, SCLK 3-10
Serial Port Data In Pin, SDIN 3-10
Serial Port Data Out Pin, SDOOUT 3-10
Serial Receive Data Pin, SRD0 3-10
Serial Transmit Data Pin, STD0 3-10
Source file
 end C-22
source statement format 2-2
SRAM 3-2, 3-3
 connections 3-3
SRAM Address Pins, A(0:14) 3-4
SRAM Chip Enable Pin, E 3-4
SRAM Data Pins, IO(0:23) 3-4
SRAM memory map 3-4
SRAM Output Enable Pin, OE 3-4
SRAM Write Enable Pin, WE 3-4
stand-alone operation 3-6
Stereo Headphones 3-8
Stereo Input 3-8
Stereo Output 3-8
String
 concatenation C-6, C-7
 delimiter C-5
 packed C-40
Symbol
 case C-38
 cross-reference C-37
 equate C-24, C-37
 global C-38
 listing C-40
 set C-26, C-51
 undefined C-41

T

Tutorial, codec programming D-1

U

Unified Memory Map 3-4

W

Warning C-41

Write Enable Pin, WR 3-4, 3-6

X

X data transfer field 2-3

X Space Enable Bit, BXEN 3-6

Y

Y data transfer field 2-3

Y Space Enable Bit, BYEN 3-6

Quick Start Guide	1
Example Test Program	2
DSP56303EVM Technical Summary	3
DSP56303EVM Schematics	A
DSP56303EVM Parts List	B
Motorola Assembler Notes	C
Codec Programming Tutorial	D
Index	I

1

Quick Start Guide

2

Example Test Program

3

DSP56303EVM Technical Summary

A

DSP56303EVM Schematics

B

DSP56303EVM Parts List

C

Motorola Assembler Notes

D

Codec Programming Tutorial

I

Index