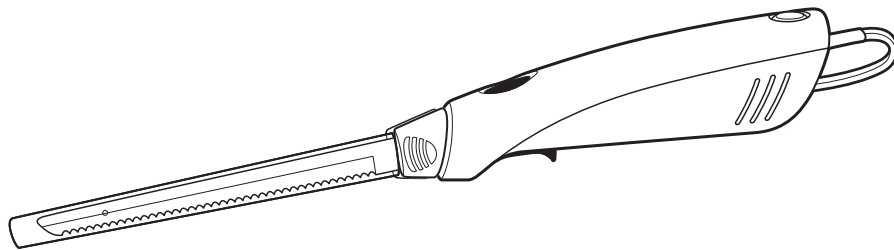




Electric Knife
Couteau électrique
Cuchillo eléctrico



READ BEFORE USE
LIRE AVANT L'UTILISATION
LEA ANTES DE USAR

www.gehousewares.com

For Customer Assistance in U.S.A.: 1-877-207-0923
For Customer Assistance in Canada: 1-877-556-0973
Pour l'assistance à la clientèle au Canada : 1-877-556-0973
Para comunicarse con Asistencia al Cliente en México: 01-800-343-7378

IMPORTANT SAFEGUARDS

When using electrical appliances, basic safety precautions should always be followed, including the following:

1. Read all instructions.
2. To protect against risk of electrical shock, do not immerse motor unit, cord or plug in water or other liquid. Do not operate knife in water or under running water.
3. Close supervision is necessary when any appliance is used by or near children.
4. Unplug cord from outlet when not in use, before putting on or taking off parts, and before cleaning. Disconnect when changing blades.
5. Avoid contact with moving parts.
6. Do not operate any appliance with a damaged cord or plug or after the appliance malfunctions or is dropped or damaged in any manner. Call our toll-free customer assistance number for information on examination, repair, or electrical or mechanical adjustment.
7. The use of attachments not recommended or sold by the appliance manufacturer may cause fire, electric shock or injury.
8. Do not use outdoors.
9. Do not let cord hang over edge of table or counter. Do not let cord contact hot surfaces, including the stove.
10. Disconnect when changing blades or cleaning.
11. Blades are sharp. Handle carefully. Unplug before handling blades. Always handle blades with hand away from cutting edge. (See illustration in "How to Assemble and Use.") Always store blades with cutting edge away from you.

SAVE THESE INSTRUCTIONS!

Consumer Safety Information

This appliance is intended for household use only.

The motor of this electric knife does not require any lubrication or oil. Any other servicing should be performed by an authorized service center. Call the toll-free customer assistance number for information.

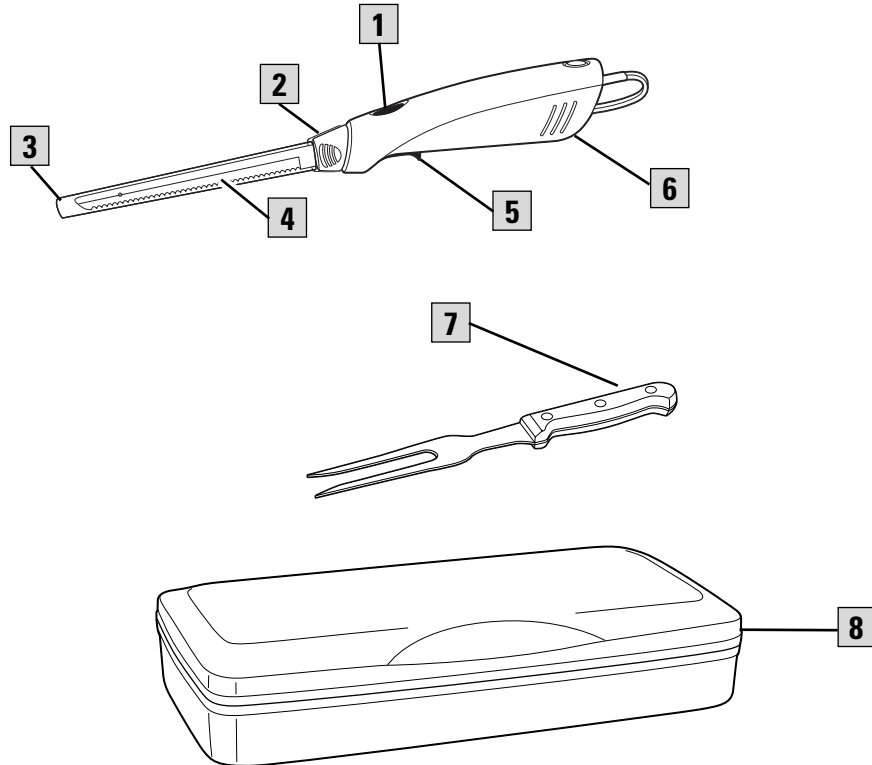
This appliance is equipped with a polarized plug. This type of plug has one blade wider than the other. The plug will fit into an electrical outlet only one way. This is a safety feature intended to help reduce the risk of electrical shock. If you are unable to insert the plug into the outlet, try reversing the plug. If the plug should still fail to fit, contact a qualified electrician to replace the obsolete outlet. Do not attempt to defeat the safety purpose of the polarized plug by modifying the plug in any way.

Know Your Electric Knife

Before First Use: Handle carefully. Blades are sharp. Wash blades in hot, soapy water. Rinse, then dry thoroughly. Blades may also be washed on the top rack of a dishwasher.

Parts and Features

- | | |
|--|------------------------|
| 1 Blade Release Button | 5 On/Off Switch |
| 2 Plastic Guard | 6 Handle |
| 3 Protective Sleeve for Blades – Always keep on blades when not in use. | 7 Meat Fork |
| 4 Blade | 8 Knife Case |



How to Assemble and Use

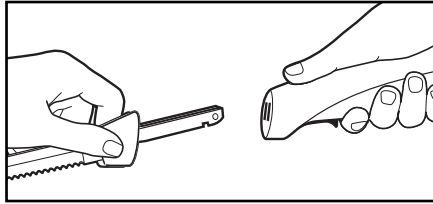
WARNING

Blade Hazard

- Handle blades by side opposite the cutting edge.
- Unplug cord before inserting, removing or cleaning blades.
- Unplug cord when knife is not in use.

Failure to follow these instructions can result in serious personal injury.

- 1. CAUTION:** Be sure cord is not connected to electric outlet when removing or inserting blades and when knife is not in use. The blades are extremely sharp. Always handle by the side opposite the cutting edge, as illustrated, or by the plastic guards.
- 2. Before First Use:** Handle carefully. Blades are sharp. Wash blades in hot, soapy water. Rinse, then dry thoroughly. Blade may also be washed on the top rack of a dishwasher.
- 3.** If blades are separated, pick up by the plastic guard. Slide the rivet on one blade into the keyhole slot in the other blade until they are locked together.
- 4.** Holding blades together at the base of the blade with cutting edge down, slide onto motor housing until both blades click into place.
- 5.** Plug cord into an electric outlet.
- 6.** Hold knife by handle. Pull On/Off button like a trigger to operate. You must hold the button "On" for the knife to operate.
- 7.** To stop, release button.



Hints for Best Results

- Move knife through food. Do not use a back and forth sawing motion.
- Let meats stand 15 minutes after cooking and before slicing. Slice down to and around bone. Do not attempt to slice through bone. Do not cut through frozen foods.
- Do not attempt to sharpen serrated blades at home. Replacement blades may be purchased. See "Customer Assistance" for more information.
- Always clean blades between cuttings of different food items to avoid cross contamination of foods.

How to Disassemble and Clean

WARNING

Blade Hazard

- Handle blades by side opposite the cutting edge.
- Unplug cord before inserting, removing or cleaning blades.
- Unplug cord when knife is not in use.

Failure to follow these instructions can result in serious personal injury.

1. Unplug cord from electric outlet.
2. Press blade release button. Grasp plastic guard and carefully pull until blades release.
3. Carefully separate blades by sliding apart to disengage rivet from keyhole.
4. Wash blades in hot, soapy water or top rack of dishwasher. Rinse and dry thoroughly.
5. After washing and drying, immediately place blades into the protective sleeve for storage.
6. To clean motor housing and cord, wipe with a damp cloth and then dry thoroughly. Do not immerse motor housing in any liquids.

Customer Assistance

If you have a claim under this warranty, please call our Customer Assistance number. For faster service please have model, series, and type numbers ready for operator to assist you. These numbers can be found on the motor housing of your electric knife.

MODEL: _____ **TYPE:** _____ **SERIES:** _____

Customer Assistance Number: 1-877-207-0923

Keep this number for future reference!

E-mail inquiries: www.gehousewares.com

Two-Year Limited Warranty

What does your warranty cover?

- Any defect in material or workmanship.

For how long after the original purchase?

- Two years.

What will we do?

- Provide you with a new one.

How do you make a warranty claim?

- Save your receipt.
- Properly pack your unit. We recommend using the original carton and packing materials.
- Return the product to your nearest WAL*MART store or call Customer Assistance at 1-877-207-0923.

What does your warranty not cover?

- Glass parts, glass containers, cutter/strainer, blades and/or agitators.
- Commercial use or any other use not found in printed directions.
- Damage from misuse, abuse, or neglect.
- Products purchased or serviced outside the USA.

How does state law relate to this warranty?

- This warranty gives you specific legal rights, and you may also have other rights which vary from state to state.
- WAL*MART expressly disclaims all responsibility for consequential damages or incidental losses caused by use of this appliance. Some states do not allow this exclusion or limitation of incidental or consequential losses so the foregoing disclaimer may not apply to you.

What if you purchased your product in the U.S., Canada or Mexico and encounter a problem while using it outside the country of purchase?

- The warranty is valid only in the country of purchase and if you follow the warranty claim procedure as noted.