

## Getaway

The Getaway uses 4 HDMI “Share” cables, connected to a digital switcher which attached via a 15’ HDMI monitor cord (provided) to a single monitor screen. Through the simple push of the “share” button, users can change what is displayed on the monitor screen. The Getaway also provides 4 120 volt power outlets and 4 2.1 a USB connections for charging devices such as tablets or cell phones with a 108” power cord. A padded carrying case is provided for easy transportation.

Part Number	Finish
GET-GW-108	Gloss White Powder Coat
GET-S-108	Silver Pearl Powder Coat
GET-GB-108	Gloss Black Powder Coat

### Cautions & Warnings

WARNING: FAILURE TO FOLLOW CAUTIONS AND WARNINGS BELOW COULD RESULT IN ELECTRICAL SHOCK, FIRE, PROPERTY DAMAGE, PERSONAL INJURY OR DEATH.

#### Cautions:



- Read Instructions · Read all warnings and operating instructions before using.
- Never use in a wet environment. Never allow liquid of any kind to spill onto or enter any part of the product.

- Retain Instructions · Retain this Owner’s Manual for future use.
- **Follow Warnings** · Read and follow all warnings and instructions in this Owner’s Manual and marked on Equipment.
- **Service** · There are no user serviceable parts in this product unless described in the following pages. Do not open or modify this product in any manner.

#### Warnings:

- **Power Source** · This product is only to be operated from the power source indicated on the product. Use only with a grounded (neutral) conductor. For safety do not bypass or disable the third (grounding) pin.
- **Power Disconnection** · To remove powered devices safely grasp device plug and pull straight from powered outlet. Do not pull on device cord or remove plug from any angle other than straight from outlet. Never touch metal conductors on plug during connecting or removal from product.
- **Power Cord** · Route power cords where they will not be stepped on, pinched, have items placed on them or become a tripping hazard. Never allow power cords to sit in any liquid or get wet in any manner.
- **Location** · This product is intended to be used in a dry environment only.

## Surface Preparation:

1. Place the Getaway in the desired location for use. The surface should be flat and support the Getaway securely.

## Mounting to Work Surface:

1. If you are mounting without an existing grommet hole, drill a 1/4" hole thru the work surface in the desired location.
2. Select the correct thumbscrew length for your table thickness from the chart below. Place the washer over the thumbscrew before inserting the screw through the bracket. Feed the thumbscrew/bracket assembly through the mounting hole in the work surface and into threaded inserts on bottom of Getaway.

Table thickness

1.50"-1.25"      use 2.00" long thumbscrews

1.00-.75"        use 1.50" long thumbscrews

5. Tighten the thumbscrew until the Getaway is secure, do not over tighten thumbscrews.

## Making Connections:

1. Connect the 15' HDMI cable provided between the Getaway's HDMI out port, see Fig. 2, and The monitor's input port.
2. Connect power cord to a 120VAC outlet.

## Operation:

1. To verify that the switcher is operating as designed, connect two or more inputs devices (laptops or tablets) to the user HDMI "Share" cords and switch the display between the units. If no image is displayed on the monitor, confirm the monitor's input setting is correct, and confirm the monitor to Marina output and share cable connections are secure.
2. When done using the Getaway in a mobile application, disconnect the share cables from the devices being used, press the latch located on the lid of the Getaway to access the storage compartment and place the cables inside. If using in a mobile application, disconnect the HDMI monitor cord and place in storage compartment and close the lid. Unplug the power cord and wrap around the Getaway's integral feet and secure with magnetic disc.

## Mounting to Work Surface Installation:

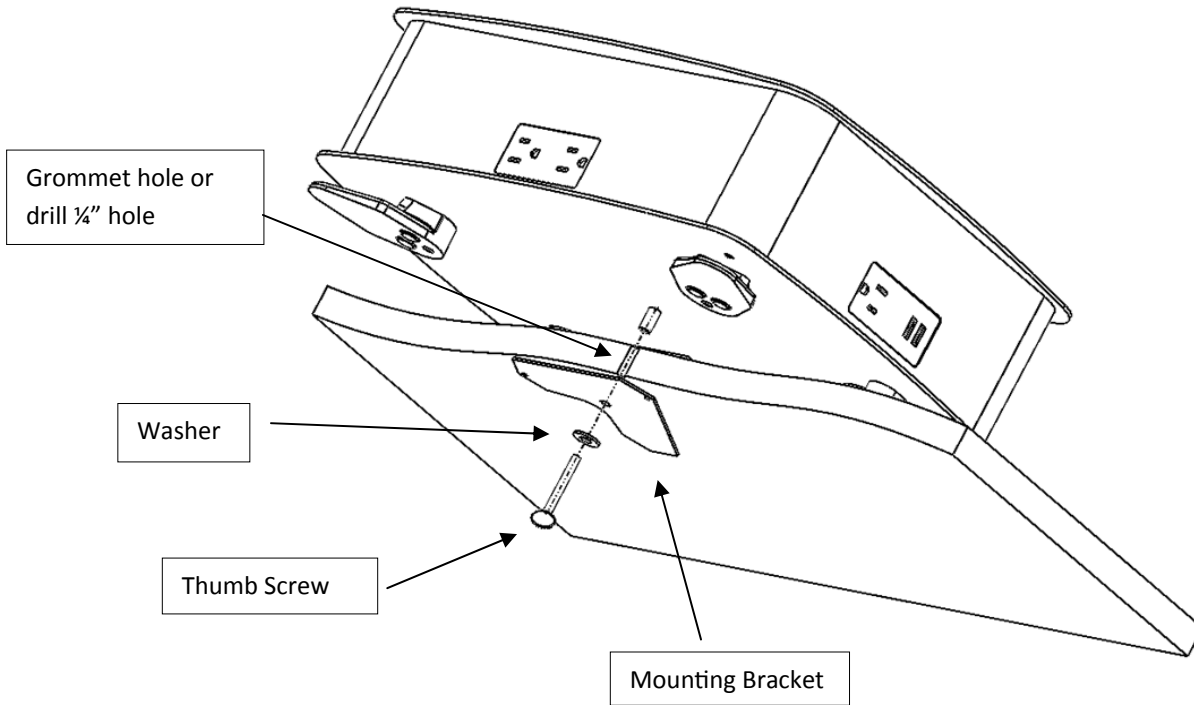


Fig. 1

## Connections:

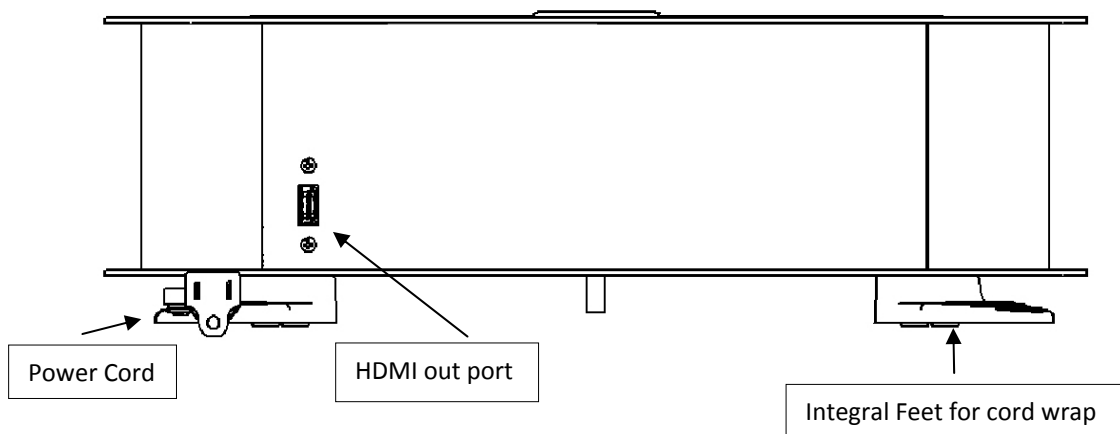


Fig. 2

## **Getaway™ technical specification:**

- Product Dimensions: 14.75" L x 11.75" W x 4.62" H
- Power
  - 4, 120 VAC spill resistant receptacles.
  - 4, USB charging ports that work with USB compatible devices. Each pair capable of (2.1A, 11 Watts, 5V/DC.)
- Integral circuit breaker protection. (located inside cable bay)
- Video
  - Extron:
    - 4x1 HDMI Switcher
    - HDMI Show Me cables
  - Maximum data rate—6.75 Gbps (2.25 Gbps per color)
  - Maximum pixel clock—165 MHz
  - Formats—RGB and YCbCr digital video
  - Standards— HDMI
  - Input— 4
  - Output— 1
- Regulatory compliance
  - Safety—cETLus
  - EMI/EMC—CE, C-tick, FCC Class A, ICES, VCCI
  - Environmental—complies with appropriate requirements of RoHs and WEEE.
- Carry Case
- Shipping
  - Weight—18 lbs.
  - Carton— 17.75" L x 16" W x 6" H

## **Warranty**

This product is warranted for a period of one (1) year from the date of purchase. This warranty is null and void in the case of abuse, uses outside its normal intended use, or field modifications made in any manner.