

to register online, visit our website at [www.fluval.com](http://www.fluval.com) \* Pour l'enregistrement en ligne, visitez notre site Web à [www.fluval.com](http://www.fluval.com)

Falls Sie dies vorziehen, können Sie sich selbst registrieren und unser Website unter [www.fluval.com](http://www.fluval.com) registrieren.  
Para el registro en línea, visite nuestro sitio web en [www.fluval.com](http://www.fluval.com)

**CANADA**  
Rolf C. Hagen Inc.  
20500 Trans Canada Hwy.  
Belle Glisle, Québec H9X 4Z4

**UK**  
Rolf C. Hagen (UK) Ltd.  
Cottingham, W. Yorkshire  
WF10 0 SH

**U.S.A.**  
Rolf C. Hagen (U.S.A.) Corp.,  
305 Forbes Blvd.,  
Mansfield, MA, 02048

**FRANCE**  
Hagen France S.A.  
F-77388 Combs-la-Ville.

**GERMANY**  
HGG Deutschland  
GmbH & Co. KG,  
25488 Helm

**ESPANA**  
Rolf C. Hagen España S.A.  
Av. de Herrerías, n. 11 y 13  
44610 Sileu, Valencia

**WARRANTY REGISTRATION CARD**  
When complete, place Warranty Registration Card in an envelope, affix correct postage and mail to:  
WARRANTY REGISTRATION DEPARTMENT DE LA GARANTIE  
Déposer la carte de garantie dûment remplie dans une enveloppe suffisamment affranchie et poster à:

**TARJETA DE REGISTRO DE LA GARANTIA**  
Una vez llenada, coloque la tarjeta de registro de la garantía debidamente fraccionada y envíela a:

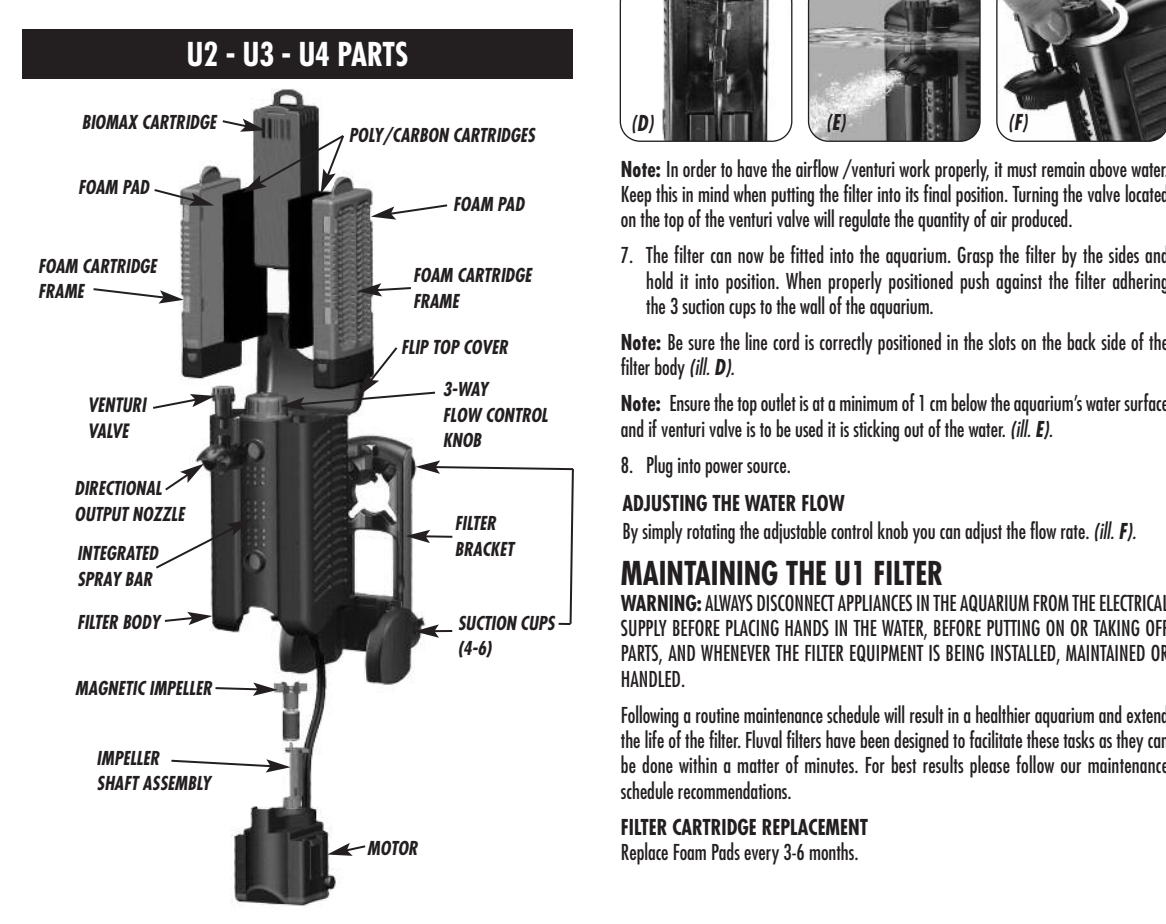
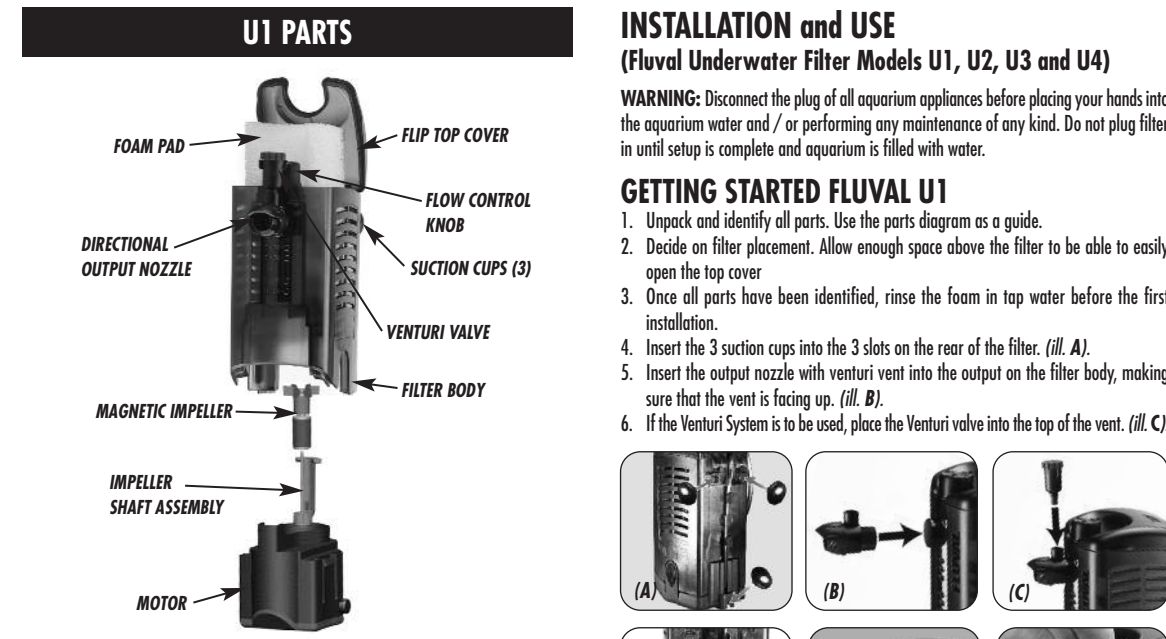
**GARANTIE-REGISTRINGSKARTE**  
Bitte zurücklegen die Garantie. Damit wir Sie besser betreuen können, füllen Sie bitte diese Registrierungskarte aus und schicken Sie sie an uns zurück.

**FLUVAL**

**IMPORTANT SAFETY INSTRUCTIONS**  
**WARNING** - To guard against injury, basic safety precautions should be observed, including the following:  
**1. READ AND FOLLOW ALL SAFETY INSTRUCTIONS**  
And all the important notices on the appliance before use, failure to do so may result in loss of fish life and/or damage to this appliance.  
**2. DANGER** - To avoid possible electric shock, special care should be taken since water is employed in the use of aquarium equipment. For each of the following situations, do not attempt repairs yourself; return the appliance to an authorized service facility for service or discard the appliance.  
A. If the appliance shows any sign of abnormal water leakage or if RCD (or GFCI- Ground Fault Current Interrupter) switches off disconnect the power supply cord from mains and remove the filter pump from water.  
B. Carefully examine the appliance after installation. It should not be plugged if there is water on parts not intended to be wet.  
C. Do not operate any appliance if it has a damaged cord or plug, or if it is malfunctioning or it is dropped or damaged in any manner. The power cord of this appliance cannot be replaced; if the cord is damaged, the appliance should be discarded. Never cut the cord.  
D. To avoid the possibility of the appliance plug or receptacle getting wet, position the appliance to one side of a wall mounted receptacle to prevent water from dripping onto the receptacle or plug. A "drip loop" (see illustration 1) should be arranged by the user for the cord connecting appliance to a receptacle. The "drip loop" is that part of the cord below the level of the receptacle or the connector if an extension cord is used, to prevent water travelling along the cord and coming in contact with the receptacle.  
If the plug or receptacle does get wet, DON'T unplug the cord. Disconnect the fuse or circuit breaker that supplies power to the appliance. Then unplug and examine for presence of water in receptacle.  
**3. WARNING** - Close supervision is necessary when any appliance is used by or near children. This appliance is not intended for use by persons (including children) with reduced physical, sensory or mental capabilities, or lack of experience and knowledge, unless they have been given supervision or instruction concerning use of the appliance by a person responsible for their safety. Children should be supervised to ensure that they do not play with the appliance.  
**4. To avoid injury, do not touch moving parts or hot parts.**  
**5. CAUTION** - Always unplug or disconnect all appliances in the aquarium from electricity supply before placing hands in water, before putting on or taking off parts and whilst the equipment is being installed, maintained or handled. When inserting or removing the filter pump from the water, always pull out the main electricity plug. Never yank cord to pull plug from outlet. Grasp the plug and pull to disconnect. Always unplug an appliance from an outlet when not in use.  
**6. This is an aquarium filter-pump. Do not use this filter pump for other than intended use (i.e.: do not use in swimming pools, bathrooms, etc.). The use of attachments not recommended or sold by the appliance manufacturer may cause an unsafe condition.**  
**7. Do not use this filter pump in swimming pools or other situations where people are immersed.**  
**8. This filter pump is suitable for use in water temperatures up to 35 °C.**  
**9. Do not use this filter pump with inflammable or drinkable liquids.**  
**10. This filter pump is suitable for INDOOR use only. Do not install or store the appliance where it will be exposed to the weather or to temperatures below freezing.**  
**11. Make sure that the filter pump is securely installed before operating it. Do not allow pump to run dry. The filter pump must be immersed in water completely. This filter pump must never operate outside of water.**  
**12. If an extension cord is necessary, a cord with proper rating should be used. A cord rated for less amperes or watts than the appliance rating may overheat. Care should be taken to arrange the cord so that it will not be tripped over or pulled. The connection should be carried out by a qualified electrical installer.**  
**13. SAVE THESE INSTRUCTIONS**  
For the complete use and understanding of this product it is recommended that this manual is thoroughly read and understood. Failure to do so may result in damage to this product.

**FLUVAL** U Series  
**Underwater Filters**  
Instructions for use

**U1** 15 U.S. gal./55 L  
**U2** 12-30 U.S. gal./45-110 L  
**U3** 24-40 U.S. gal./90-150 L  
**U4** 34-65 U.S. gal./130-240 L



**INSTALLATION and USE (Fluval Underwater Filter Models U1, U2, U3 and U4)**  
**WARNING:** Disconnect the plug of all aquarium appliances before placing your hands into the aquarium water and /or performing any maintenance of any kind. Do not plug filter in until setup is complete and aquarium is filled with water.

**GETTING STARTED FLUVAL U1**  
1. Unpack and identify all parts. Use the parts diagram as a guide.  
2. Decide on filter placement. Allow enough space above the filter to be able to easily open the top cover.  
3. Once all parts have been identified, rinse the foam in tap water before the first installation.  
4. Insert the 3 suction cups into the 3 slots on the rear of the filter. (ill. A).  
5. Insert the output nozzle with venturi vent into the output on the filter body, making sure that the vent is facing up. (ill. B).  
6. If the Venturi System is to be used, place the Venturi valve into the top of the vent. (ill. C).

**GETTING STARTED FLUVAL U2, U3 AND U4**  
1. Unpack and identify all parts. Use the parts diagram as a guide.  
2. Decide on filter placement. Allow ample space on the side and front of filter to be able to easily tilt it forward during future cartridge replacement and removal for maintenance.  
3. Once all parts have been identified remove the cartridge frames with the foam pads and poly/carbon cartridges, BIOMAX cartridge with BIOMAX nodes from the filter and rinse under tap water to remove any dust particles before the first installation. Make sure to remove the BIOMAX nodes from the shippor bag and replace into BIOMAX cartridge before rinsing or use. Once rinsed replace the loaded cartridges back into filter. (See the MAINTENANCE section for more details).

**ADJUSTING THE WATER FLOW**  
Clean Impeller and Impeller well every 4 months. Replace impeller yearly for optimal performance and to prevent wearing. Clean filter body 1 time per year.

**HOW TO REPLACE THE FILTER CARTRIDGES**  
**IMPORTANT:** To enhance bacterial action, pour a dose of Nutrafin Cycle Biological Aquarium Supplement onto your filter cartridge each time you change the media.  
1. Unplug the power cord.  
2. Open the filter cover. (ill. G).  
3. Slide the Foam out of the filter body and place it in an empty bucket. Rinse the foam cartridge using water taken from the aquarium or replace the foam following the recommended replacement schedule. **Do not use tap water as this will kill the beneficial bacteria in your foam.** (ill. H).  
4. Attach suction cups to the filter bracket. Use the top 4 slots for models U2 and U3, use top 4 slots and lower 2 slots for model U4. Note: For easy filter bracket removal position the suction cups so that the suction cup tabs are facing outwards. (ill. K).  
5. Insert the output nozzle with venturi vent into the top output on the filter body, making sure that the vent is facing up. If required insert the second output nozzle into the bottom output on the filter body. (ill. L).  
6. If the Venturi System is to be used, place the Venturi valve into the top of the vent. (ill. M).  
7. The filter can now be fitted into the aquarium. Grasp the filter by the sides and hold it into position. When properly positioned push against the filter adhering the 3 suction cups to the wall of the aquarium.  
8. Plug into power source.

**HOW TO CARE FOR THE IMPELLER AND MOTOR**  
**WARNING:** ALWAYS DISCONNECT APPLIANCES IN THE AQUARIUM FROM THE ELECTRICAL SUPPLY BEFORE PLACING HANDS IN THE WATER, BEFORE PUTTING ON OR TAKING OFF PARTS, AND WHENEVER THE FILTER EQUIPMENT IS BEING INSTALLED, MAINTAINED OR HANDLED.  
The impeller well has an effective self-cleaning feature. However, it is recommended that you remove the motor and inspect the impeller as part of your routine maintenance. Keeping the impeller clean lengthens its life and the life of the motor.  
1. Unplug the power cord.  
2. Gently remove the filter from the aquarium. Keep the filter in a vertical position to avoid releasing debris back into the aquarium.  
3. Slip the electric wire out of its slot.  
4. Release the motor from the filter body by squeezing the two release arms on the side of the motor housing. (ill. J).  
5. If the impeller needs cleaning, grasp the fan and draw it gently from the impeller well. Rinse it under clean water. NEVER use soap or detergents, as traces of cleaning products will harm fish. (ill. JJ).  
6. If the impeller well needs cleaning, scrub it gently with a Fluval Cleaning Brush. In case of major cleaning you need to remove the Impeller Shaft Assembly by inserting the shaft tool (not included) until you feel it engage at the base of the shaft, then pull it up and out gently.  
7. To replace, position the magnetic impeller on the shaft assembly and insert into impeller well; push on impeller fan until the assembly locks into place.  
The impeller will wear out over time. A replacement may be ordered from your local Fluval dealer or by contacting our customer service at Rolf C. Hagen Corp.

**MAINTAINING THE U1 FILTER**  
**WARNING:** ALWAYS DISCONNECT APPLIANCES IN THE AQUARIUM FROM THE ELECTRICAL SUPPLY BEFORE PLACING HANDS IN THE WATER, BEFORE PUTTING ON OR TAKING OFF PARTS, AND WHENEVER THE FILTER EQUIPMENT IS BEING INSTALLED, MAINTAINED OR HANDLED.  
Following a routine maintenance schedule will result in a healthier aquarium and extend the life of the filter. Fluval filters have been designed to facilitate these tasks as they can be done within a matter of minutes. For best results please follow our maintenance schedule recommendations.  
**FILTER CARTRIDGE REPLACEMENT**  
Replace Foam Pads every 3-6 months. Replace Alternate Foam Pads every 3-6 months. Replace 1/2 quantity of BIOMAX nodes every 5-6 months.  
**FILTER MAINTENANCE**  
Clean Impeller and Impeller well every 4 months. Replace impeller yearly for optimal performance and to prevent wearing. Clean filter body 1 time per year.  
**HOW TO REPLACE THE FILTER CARTRIDGES**  
**IMPORTANT:** Do not replace all filtration cartridges at the same time. Alternate filter cartridge changes so that some older cartridges remain in use. This ensures the re-seeding of beneficial bacteria, so that colonies discarded with older cartridges will be replaced by vigorous new ones. To enhance bacterial action, pour a dose of Nutrafin Cycle Biological Aquarium Supplement onto your filter cartridges each time you change the media.  
1. Unplug the power cord.  
2. Open the filter cover. (To make the operation easier and in case the filter is positioned under an aquarium frame, tilt the filter forward until it stops but make sure there is enough electrical cord to allow the filter to pull forward). (ill. R-S).  
3. Slide the Foam cartridge frames out of the filter body keeping them vertical to avoid releasing the debris collected inside the debris receptacle. Place them in an empty bucket. (ill. T).  
4. Remove the Poly/carbon cartridge from the cartridge frame. (ill. U).  
5. Remove the foam. Rinse the debris receptacle and the foam pads using water taken from the aquarium or replace one of the foams following the recommended replacement schedule. **Do not use tap water as this will kill the beneficial bacteria in your foam.**  
6. Replace the foam pad. Make sure the foam is positioned behind the tabs on the sides of the frame.  
7. With the carbon side facing out re-insert the Poly/Carbon cartridge by inserting the lower end of the cartridge into the lower end of the cartridge frame then snapping the top side of the cartridge under the two tabs on the top side of the frame. Do not press too hard as the cartridge must sit on the top of the tabs on the sides of the frame.  
**Hint:** For best results replace 1 poly/Carbon cartridge every 2 weeks.  
8. Slide the BIOMAX cartridge out and place it in the sink or bucket.  
9. Pull open the tab on the side of the cartridge, opening the cover. Rinse the BIOMAX with aquarium water, never tap water, or replace 1/2 the quantity every 5-6 months. **Never replace all the BIOMAX nodes at one time, as valuable colonies of beneficial bacteria would be lost.** (ill. V).  
10. After rinsing, put the BIOMAX back in cartridge and close the cover. For best results completely fill the cartridge with BIOMAX nodes but allow the cover to close easily.  
11. Re-insert foam cartridge frames into the filter with the poly/carbon pad facing inwards. Re-insert the BIOMAX cartridge into the filter making sure to properly align the hole at the bottom of the cartridge directly on the top of the impeller opening. Close the filter cover and if required snap the filter body back into position on the filter bracket.  
**HOW TO CARE FOR THE IMPELLER AND MOTOR**  
The impeller well has an effective self-cleaning feature. However, it is recommended that you remove the motor and inspect the impeller as part of your routine maintenance. Keeping the impeller clean lengthens its life and the life of the motor.  
1. Unplug the power cord.  
2. Release the filter by tilting it forward then pulling up and out of the filter bracket. (ill. W).  
3. Slip the electrical wire out of its slot.  
4. Release the motor from the filter body by squeezing the two release arms on the side of the motor housing. (ill. X).  
5. If the impeller needs cleaning, grasp the fan and draw it gently from the impeller well. Rinse it under clean water. NEVER use soap or detergents, as traces of cleaning products will harm fish. (ill. Y).  
6. If the impeller well needs cleaning, scrub it gently with a Fluval Cleaning Brush. In case of major cleaning you need to remove the Impeller Shaft Assembly by inserting the shaft tool (not included) until you feel it engage at the base of the shaft, then pull it up and out gently.  
7. To replace, position the magnetic impeller on the shaft assembly and insert into impeller well; push on impeller fan until the assembly locks into place.  
The impeller will wear out over time. A replacement may be ordered from your local Fluval dealer or by contacting our customer service at Rolf C. Hagen Corp.

**ADJUSTING THE WATER FLOW**  
The water output can be custom selected based on the desired flow. By simply rotating the adjustable 3-way flow control knob you can select one of 3 output settings as well as adjust the flow rate.  
(A) Top output, for maximum circulation and oxygenation.  
(B) The integrated spray bar, to provide even gentle flow for planted aquariums.  
(C) Bottom output for deep water agitation and maximum circulation.  
**MAINTAINING THE U2, U3 and U4 FILTERS**  
**WARNING:** ALWAYS DISCONNECT APPLIANCES IN THE AQUARIUM FROM THE ELECTRICAL SUPPLY BEFORE PLACING HANDS IN THE WATER, BEFORE PUTTING ON OR TAKING OFF PARTS, AND WHENEVER THE FILTER EQUIPMENT IS BEING INSTALLED, MAINTAINED OR HANDLED.  
Following a routine maintenance schedule will result in a healthier aquarium and extend the life of the filter. Fluval filters have been designed to facilitate these tasks as they can be done within a matter of minutes. For best results please follow our maintenance schedule recommendations.  
**FILTER CARTRIDGE REPLACEMENT**  
Replace 1 Poly/Carbon cartridge every 2 weeks. Replace Alternate Foam Pads every 3-6 months. Replace 1/2 quantity of BIOMAX nodes every 5-6 months.  
**FILTER MAINTENANCE**  
Clean Impeller and Impeller well every 4 months. Replace impeller yearly for optimal performance and to prevent wearing. Clean filter body 1 time per year.  
**HOW TO REPLACE THE FILTER CARTRIDGES**  
**IMPORTANT:** Do not replace all filtration cartridges at the same time. Alternate filter cartridge changes so that some older cartridges remain in use. This ensures the re-seeding of beneficial bacteria, so that colonies discarded with older cartridges will be replaced by vigorous new ones. To enhance bacterial action, pour a dose of Nutrafin Cycle Biological Aquarium Supplement onto your filter cartridges each time you change the media.  
1. Unplug the power cord.  
2. Open the filter cover. (To make the operation easier and in case the filter is positioned under an aquarium frame, tilt the filter forward until it stops but make sure there is enough electrical cord to allow the filter to pull forward). (ill. R-S).  
3. Slide the Foam cartridge frames out of the filter body keeping them vertical to avoid releasing the debris collected inside the debris receptacle. Place them in an empty bucket. (ill. T).  
4. Remove the Poly/carbon cartridge from the cartridge frame. (ill. U).  
5. Remove the foam. Rinse the debris receptacle and the foam pads using water taken from the aquarium or replace one of the foams following the recommended replacement schedule. **Do not use tap water as this will kill the beneficial bacteria in your foam.**  
6. Replace the foam pad. Make sure the foam is positioned behind the tabs on the sides of the frame.  
7. With the carbon side facing out re-insert the Poly/Carbon cartridge by inserting the lower end of the cartridge into the lower end of the cartridge frame then snapping the top side of the cartridge under the two tabs on the top side of the frame. Do not press too hard as the cartridge must sit on the top of the tabs on the sides of the frame.  
**Hint:** For best results replace 1 poly/Carbon cartridge every 2 weeks.  
8. Slide the BIOMAX cartridge out and place it in the sink or bucket.  
9. Pull open the tab on the side of the cartridge, opening the cover. Rinse the BIOMAX with aquarium water, never tap water, or replace 1/2 the quantity every 5-6 months. **Never replace all the BIOMAX nodes at one time, as valuable colonies of beneficial bacteria would be lost.** (ill. V).  
10. After rinsing, put the BIOMAX back in cartridge and close the cover. For best results completely fill the cartridge with BIOMAX nodes but allow the cover to close easily.  
11. Re-insert foam cartridge frames into the filter with the poly/carbon pad facing inwards. Re-insert the BIOMAX cartridge into the filter making sure to properly align the hole at the bottom of the cartridge directly on the top of the impeller opening. Close the filter cover and if required snap the filter body back into position on the filter bracket.  
**HOW TO CARE FOR THE IMPELLER AND MOTOR**  
The impeller well has an effective self-cleaning feature. However, it is recommended that you remove the motor and inspect the impeller as part of your routine maintenance. Keeping the impeller clean lengthens its life and the life of the motor.  
1. Unplug the power cord.  
2. Release the filter by tilting it forward then pulling up and out of the filter bracket. (ill. W).  
3. Slip the electrical wire out of its slot.  
4. Release the motor from the filter body by squeezing the two release arms on the side of the motor housing. (ill. X).  
5. If the impeller needs cleaning, grasp the fan and draw it gently from the impeller well. Rinse it under clean water. NEVER use soap or detergents, as traces of cleaning products will harm fish. (ill. Y).  
6. If the impeller well needs cleaning, scrub it gently with a Fluval Cleaning Brush. In case of major cleaning you need to remove the Impeller Shaft Assembly by inserting the shaft tool (not included) until you feel it engage at the base of the shaft, then pull it up and out gently.  
7. To replace, position the magnetic impeller on the shaft assembly and insert into impeller well; push on impeller fan until the assembly locks into place.  
The impeller will wear out over time. A replacement may be ordered from your local Fluval dealer or by contacting our customer service at Rolf C. Hagen Corp.

**NEVER** use soap or detergents as these products could be harmful to the inhabitants of your aquarium.  
6. Replace the foam pad. Make sure the foam is positioned behind the tabs on the sides of the frame.  
7. With the carbon side facing out re-insert the Poly/Carbon cartridge by inserting the lower end of the cartridge into the lower end of the cartridge frame then snapping the top side of the cartridge under the two tabs on the top side of the frame. Do not press too hard as the cartridge must sit on the top of the tabs on the sides of the frame.  
**Hint:** For best results replace 1 poly/Carbon cartridge every 2 weeks.  
8. Slide the BIOMAX cartridge out and place it in the sink or bucket.  
9. Pull open the tab on the side of the cartridge, opening the cover. Rinse the BIOMAX with aquarium water, never tap water, or replace 1/2 the quantity every 5-6 months. **Never replace all the BIOMAX nodes at one time, as valuable colonies of beneficial bacteria would be lost.** (ill. V).  
10. After rinsing, put the BIOMAX back in cartridge and close the cover. For best results completely fill the cartridge with BIOMAX nodes but allow the cover to close easily.  
11. Re-insert foam cartridge frames into the filter with the poly/carbon pad facing inwards. Re-insert the BIOMAX cartridge into the filter making sure to properly align the hole at the bottom of the cartridge directly on the top of the impeller opening. Close the filter cover and if required snap the filter body back into position on the filter bracket.  
**HOW TO CARE FOR THE IMPELLER AND MOTOR**  
The impeller well has an effective self-cleaning feature. However, it is recommended that you remove the motor and inspect the impeller as part of your routine maintenance. Keeping the impeller clean lengthens its life and the life of the motor.  
1. Unplug the power cord.  
2. Release the filter by tilting it forward then pulling up and out of the filter bracket. (ill. W).  
3. Slip the electrical wire out of its slot.  
4. Release the motor from the filter body by squeezing the two release arms on the side of the motor housing. (ill. X).  
5. If the impeller needs cleaning, grasp the fan and draw it gently from the impeller well. Rinse it under clean water. NEVER use soap or detergents, as traces of cleaning products will harm fish. (ill. Y).  
6. If the impeller well needs cleaning, scrub it gently with a Fluval Cleaning Brush. In case of major cleaning you need to remove the Impeller Shaft Assembly by inserting the shaft tool (not included) until you feel it engage at the base of the shaft, then pull it up and out gently.  
7. To replace, position the magnetic impeller on the shaft assembly and insert into impeller well; push on impeller fan until the assembly locks into place.  
The impeller will wear out over time. A replacement may be ordered from your local Fluval dealer or by contacting our customer service at Rolf C. Hagen Corp.

**3 YEAR WARRANTY**  
Fluval U Series Power Filters are guaranteed against defects in material or workmanship under normal aquarium usage and service for 3 years. We offer a 3 year guarantee on all non-replaceable parts which means that the filter will be repaired or replaced at the manufacturer's discretion, free of charge, when the complete pump is returned with proof of purchase and postage paid. This warranty does not apply to any filter that has been subjected to misuse, negligence, or tampering. No liability is assumed with respect to loss or damage to livestock or personal property irrespective of the cause thereof.  
**FOR AUTHORIZED GUARANTEE REPAIR SERVICE:**  
For Authorized Warranty Service please return (well packaged and by registered post) to the address below enclosing dated receipt and reason for return.  
If you have any queries or comments about the operation of this product, please let us try to help you before you return the product to your retailer. Most queries can be handled promptly with a phone call. When you call (or write), please have all relevant information such as model number, age of product, details of aquarium set-up, as well as the nature of the problem.  
**CANADA:** Hagen Industries, Consumer Repair, 3235 Guénette, Montréal QC H4S 1N2  
**U.S.A.:** Rolf C. Hagen (U.S.A.) Corp., 305 Forbes Blvd, Mansfield, MA, 02048  
**UK:** Rolf C. Hagen (UK) Ltd, Customer Service Department California Drive, Whitwood Ind Est., Castelford West Yorkshire WF10 5QH  
**CALL US ON OUR TOLL-FREE NUMBER:**  
**Canada only:** 1-800-554-2436 between 9:00 a.m. and 4:30 p.m. Eastern Standard Time. Ask for Customer Service.  
**U.S. only:** 1-800-724-2436 between 9:00 a.m. and 4:00 p.m. Eastern Standard Time. Ask for Customer Service.  
**U.K. only:** Helpline Number 01977 556622. Between 9:00 AM and 5:00 PM, Monday to Friday (excluding Bank Holidays).  
To register your warranty on line or for more information on this and other products go to [www.hagen.com](http://www.hagen.com).

**WARRANTY REGISTRATION CARD**  
Return to validate your guarantee. Or, if you prefer, you may register on our web site at [www.hagen.com](http://www.hagen.com)

Name \_\_\_\_\_  
Address \_\_\_\_\_  
City/Town \_\_\_\_\_  
Prov./State/County \_\_\_\_\_  
Date Purchased \_\_\_\_\_  
City/Town \_\_\_\_\_  
Prov./State/County \_\_\_\_\_

YY \_\_\_\_\_  
MM \_\_\_\_\_  
DD \_\_\_\_\_

Sex  M  F  
Age \_\_\_\_\_  
Was this a gift?  Yes  No

Type(s) of fish \_\_\_\_\_  
Size of aquarium \_\_\_\_\_

**FLUVAL**  U1  U2  U3  U4

**RECYCLING**  
This symbol bears the selective sorting symbol for waste electrical and electronic equipment (WEEE). This means that this product must be handled pursuant to European Directive 2002/96/EC in order to be recycled or dismantled to minimize its impact on the environment. For further information, please contact your local or regional Authorities.  
**Electronic products not included in the selective sorting process are potentially dangerous for the environment and human health due to the presence of hazardous substances.**

REPLACEMENT PARTS	U1	U2	U3	U4
BIOMAX Cartridge	—	A-15207	A-15307	A-15407
BIOMAX Nodes	—	A-495	A-495	A-495
Foam Cartridge Frame	—	A-15219	A-15319	A-15419
Foam Filter Pad	A-485	A-486	A-487	A-488
Poly/Carbon Filter Cartridge	—	A-490	A-491	A-492
Filter Body	A-15109	A-15209	A-15309	A-15409
Flip Top Cover	A-15110	A-15210	A-15210	A-15410
Directional Output Nozzle	A-15044	A-15044	A-15044	A-15044
Venturi Valve	A-13921	A-13921	A-13921	A-13921
Filter Bracket	—	A-15204	A-15204	A-15404
Suction Cups	A-15039	A-15041	A-15041	A-15041
Magnetic Impeller 60Hz	A-15232	A-15232	A-15332	A-15333
Magnetic Impeller 50Hz	A-15133	A-15233	A-15332	A-15333
Impeller Shaft Assembly	A-15101	A-15101	A-15101	A-15401
Motor	A-15103	A-15203	A-15303	A-15403